

HAMMER STRENGTH[®]

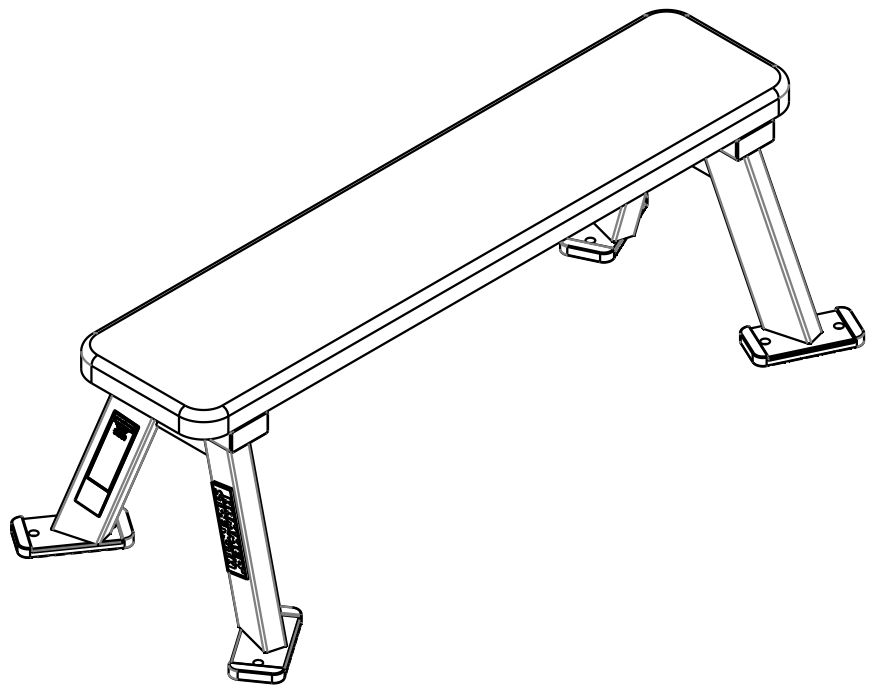
**HAMMER
STRENGTH[®]**

HEAVY DUTY ATHLETIC SERIES

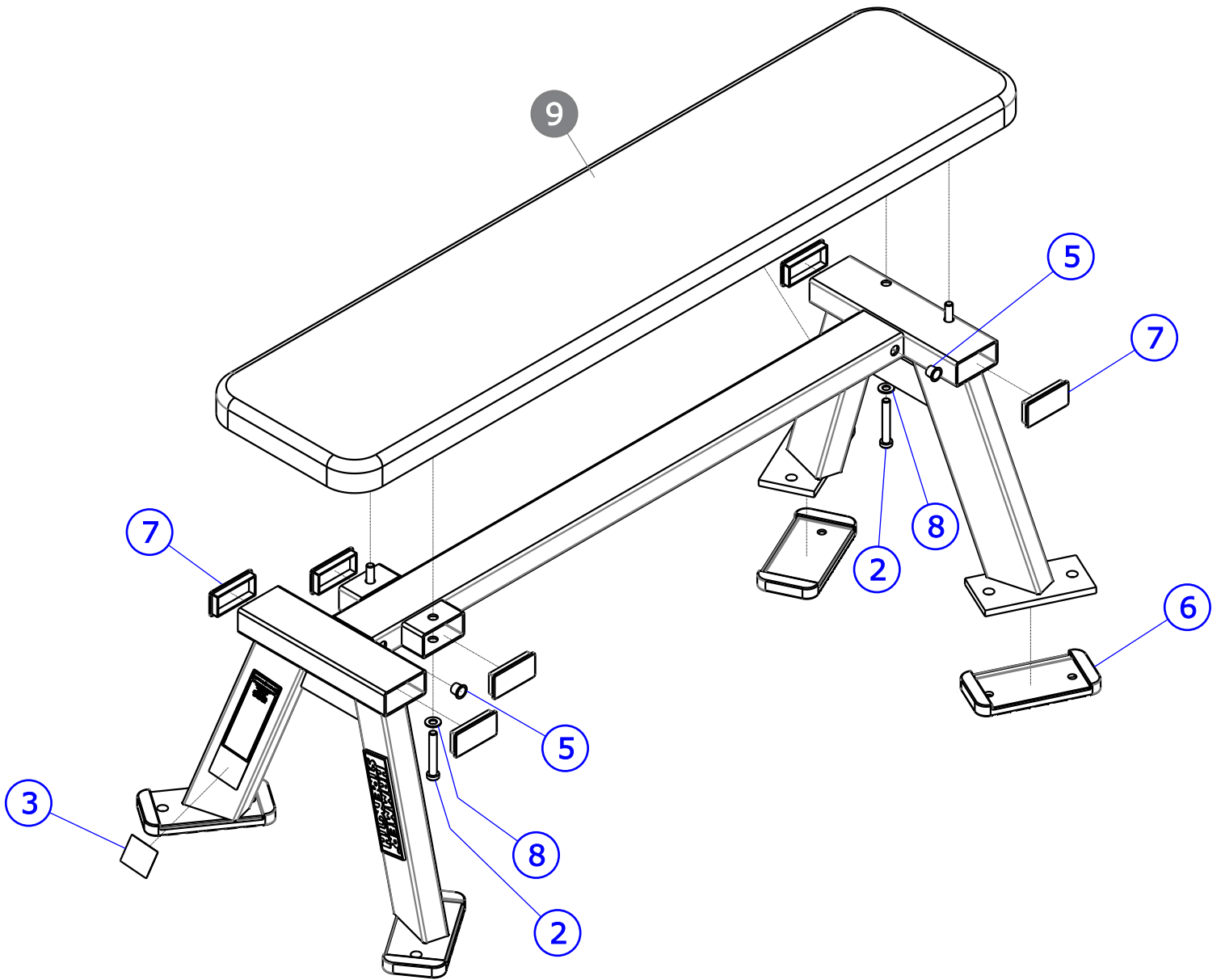
PARTS MANUAL

**FLAT BENCH
AT-FB**

4/10/2017



COMPONENT ASSEMBLY PAGE 3



ITEM NO.	QTY.	PART NO.	DESCRIPTION
2	4	3236210	SCREW, M10 X1.5 65MM
3	1	-	LABEL, SERIAL NUMBER
5	4	H-HPLUG (REG)	H-PLUG 9-16
6	4	MM-9	3 X 6 FLANGE RUBBER SLIPPER
7	6	RC1530-1Q1	CAP:1-1/2 X 3 RECTANGLE PLUG
8	4	WASH.375SAE	3/8" SAE FLAT WASHER
9	1	8782299	PAD, MOLDED 1217 X 264