

DISCOVER SE: 19 INCH LCD TREADMILL CONSOLE

PARTS MANUAL

19DT-XXXXX-XX

EAT, EPT, EDT, EIT, ENT, EST, FAT, FPT, FDT, FIT, FXT, FST



LifeFitness

Table of Contents

Console Serial Number Table	1
Common Boards for Consoles	7
Parts List for ATSC Tuner Board	8
Parts List for DVB-T2 Tuner Board	9
Parts List for PRO:IDIOM Tuner Board	10
Parts List for IPTV Tuner Board	11
Parts List for ISDBT-2 Tuner Board	12
Option Panel	13
Cables	14
Plastics and Display Components	16
Miscellaneous	17
Kits	18

Console Serial Number Table

ATSC / NTSC TUNER (DOMESTIC)						
Part No.	Alpha Code*	Description	Serial Number Range	Serial Number Range	Serial Number Range	Serial Number Range
19DT-XXXXA-01	EAT	NC 19-INCH LCD TREAD CONSOLE ATSC	100001 - 199999	700001 - 799999		
19DT-XXRXA-01	EAT	NC 19-INCH LCD TREAD CONSOLE ATSC, RFID 19-INCH LCD TREAD CONSOLE ATSC, RFID	100001 - 199999	700001 - 799999		
19DT-XWXXA-01	EAT	NC 19-INCH LCD TREAD CONSOLE ATSC, WIFI	100001 - 199999	700001 - 799999		
19DT-XWRXA-01	EAT	NC 19-INCH LCD TREAD CONSOLE ATSC, WIFI, RFID	100001 - 199999	700001 - 799999		
19DT-XXXXA-02	EAT	NC 19-IN DSCVR SE TREAD CONSOLE COMBO ATSC	200001 - 299999	300001 - 399999	400001 - 499999	800001 - 899999
19DT-XXRXA-02	EAT	19-IN DSCVR SE TREAD CONSOLE COMBO RFID ATSC	200001 - 299999	300001 - 399999	400001 - 499999	800001 - 899999
19DT-XWXXA-02	EAT	NC 19-IN DSCVR SE TREAD CONSOLE COMBO WIFI ATSC	200001 - 299999	300001 - 399999	400001 - 499999	800001 - 899999
19DT-XWRXA-02	EAT	NC 19-IN DSCVR SE TREAD CONSOLE COMBO WIFI RFID ATSC	200001 - 299999	300001 - 399999	400001 - 499999	800001 - 899999
19DT-XXXXA-03	FAT	NC 19-IN DSCVR SE TREAD CONSOLE COMBO ATSC	100001 - 199999	300001 - 399999		
19DT-XXRXA-03	FAT	19-IN DSCVR SE TREAD CONSOLE COMBO RFID ATSC	100001 - 199999	300001 - 399999		
19DT-XWXXA-03	FAT	NC 19-IN DSCVR SE TREAD CONSOLE COMBO WIFI ATSC	100001 - 199999	300001 - 399999		
19DT-XWRXA-03	FAT	NC 19-IN DSCVR SE TREAD CONSOLE COMBO WIFI RFID ATSC	100001 - 199999	300001 - 399999		

* Refer to first three letters of the product's Serial Number for the Alpha code

Console Serial Number Table

PROIDIOM TUNER (DOMESTIC)						
Part No.	Alpha Code*	Description	Serial Number Range	Serial Number Range	Serial Number Range	Serial Number Range
19DT-XXXXP-02	EPT	NC 19-IN DISCOVER SE TREAD CONSOLE PROIDIOM	100001 - 199999		400001 - 499999	800001 - 899999
19DT-XXRXP-02	EPT	19-IN DISCOVER SE TREAD CONSOLE PROIDIOM RFID	100001 - 199999		400001 - 499999	800001 - 899999
19DT-XWXXP-02	EPT	NC 19-IN DISCOVER SE TREAD CONSOLE PROIDIOM WIFI	100001 - 199999		400001 - 499999	800001 - 899999
19DT-XWRXP-02	EPT	19-IN DISCOVER SE TREAD CONSOLE PROIDIOM WIFI RFID	100001 - 199999		400001 - 499999	800001 - 899999
19DT-XXXXP-03	FPT	NC 19-IN DISCOVER SE TREAD CONSOLE PROIDIOM	100001 - 199999	300001-399999		
19DT-XXRXP-03	FPT	19-IN DISCOVER SE TREAD CONSOLE PROIDIOM RFID	100001 - 199999	300001-399999		
19DT-XWXXP-03	FPT	19-IN DISCOVER SE TREAD CONSOLE PROIDIOM WIFI	100001 - 199999	300001-399999		
19DT-XWRXP-03	FPT	19-IN DISCOVER SE TREAD CONSOLE PROIDIOM WIFI RFID	100001 - 199999	300001-399999		

* Refer to first three letters of the product's Serial Number for the Alpha code

Console Serial Number Table

DVB-T / DVB-T2 / PAL TUNER (INTERNATIONAL)						
Part No.	Alpha Code*	Description	Serial Number Range	Serial Number Range	Serial Number Range	Serial Number Range
19DT-XXXXD-01	EDT	NC 19-INCH LCD TREAD CONSOLE DVB-T	100001 - 199999	700001 - 799999		
19DT-XXRXD-01	EDT	NC 19-INCH LCD TREAD CONSOLE DVB-T, RFID	100001 - 199999	700001 - 799999		
19DT-XWXXD-01	EDT	NC 19-INCH LCD TREAD CONSOLE DVB-T, WIFI	100001 - 199999	700001 - 799999		
19DT-XWRXD-01	EDT	NC 19-INCH LCD TREAD CONSOLE DVB-T, WIFI, RFID	100001 - 199999	700001 - 799999		
19DT-XXXXD-02	EDT	NC 19-INCH DISCOVER TREAD CONSOLE DVB-T2	100001 - 199999	700001 - 799999		
19DT-XXXXD-03	EDT	NC 19-IN DSCVR SE TREAD CONSOLE COMBO DVBT2	200001 - 299999	300001 - 399999	400001-499999	800001-899999
19DT-XXRXD-03	EDT	19-IN DSCVR SE TREAD CONSOLE COMBO RFID DVBT2	200001 - 299999	300001 - 399999	400001-499999	800001-899999
19DT-XWXXD-03	EDT	19-IN DSCVR SE TREAD CONSOLE COMBO WIFI DVBT2	200001 - 299999	300001 - 399999	400001-499999	800001-899999
19DT-XWRXD-03	EDT	19-IN DSCVR SE TREAD CONSOLE COMBO WIFI RFID DVBT2	200001 - 299999	300001 - 399999	400001-499999	800001-899999
19DT-XXXXD-04	FDT	NC 19-IN DSCVR SE TREAD CONSOLE COMBO DVBT2	100001 - 199999	300001 - 399999		
19DT-XXRXD-04	FDT	19-IN DSCVR SE TREAD CONSOLE COMBO RFID DVBT2	100001 - 199999	300001 - 399999		
19DT-XWXXD-04	FDT	19-IN DSCVR SE TREAD CONSOLE COMBO WIFI DVBT2	100001 - 199999	300001 - 399999		
19DT-XWRXD-04	FDT	19-IN DSCVR SE TREAD CONSOLE COMBO WIFI RFID DVBT2	100001 - 199999	300001 - 399999		

* Refer to first three letters of the product's Serial Number for the Alpha code

Console Serial Number Table

STB-IPTV						
Part No.	Alpha Code*	Description	Serial Number Range	Serial Number Range	Serial Number Range	Serial Number Range
19DT-XXXXI-01	EIT	NC 19-INCH LCD TREAD CONSOLE IPTV	100001 - 199999	700001 - 799999		
19DT-XXRXI-01	EIT	NC 19-INCH LCD TREAD CONSOLE IPTV, RFID	100001 - 199999	700001 - 799999		
19DT-XWXXI-01	EIT	NC 19-INCH LCD TREAD CONSOLE IPTV, WIFI	100001 - 199999	700001 - 799999		
19DT-XWRXI-01	EIT	NC 19-INCH LCD TREAD CONSOLE IPTV, WIFI, RFID	100001 - 199999	700001 - 799999		
19DT-XXXXI-02	EIT	NC 19IN LCD CONSOLE STB-IPTV	200001 - 299999	300001 - 399999	400001-499999	800001-899999
19DT-XXRXI-02	EIT	19IN LCD CONSOLE STB-IPTV RFID	200001 - 299999	300001 - 399999	400001-499999	800001-899999
19DT-XWXXI-02	EIT	19IN LCD CONSOLE STB-IPTV WIRELESS	200001 - 299999	300001 - 399999	400001-499999	800001-899999
19DT-XWRXI-02	EIT	19IN LCD CONSOLE STB-IPTV WIRELESS RFID	200001 - 299999	300001 - 399999	400001-499999	800001-899999
19DT-XXXXI-03	FIT	NC 19IN LCD CONSOLE STB-IPTV	100001 - 199999	300001 - 399999		
19DT-XXRXI-03	FIT	19IN LCD CONSOLE STB-IPTV RFID	100001 - 199999	300001 - 399999		
19DT-XWXXI-03	FIT	NC 19IN LCD CONSOLE STB-IPTV WIRELESS	100001 - 199999	300001 - 399999		
19DT-XWRXI-03	FIT	19IN LCD CONSOLE STB-IPTV WIRELESS RFID	100001 - 199999	300001 - 399999		

* Refer to first three letters of the product's Serial Number for the Alpha code

Console Serial Number Table

OPEN IPTV						
Part No.	Alpha Code*	Description	Serial Number Range	Serial Number Range	Serial Number Range	Serial Number Range
19DT-XXXXX-02	ENT	19IN LCD CONSOLE OPEN IPTV			400001 - 499999	800001-899999
19DT-XXRXX-02	ENT	19IN LCD CONSOLE WITH RFID OPEN IPTV			400001 - 499999	800001-899999
19DT-XXXXX-03	FXT	19IN LCD CONSOLE OPEN IPTV	100001-199999	300001-399999		
19DT-XXRXX-03	FXT	19IN LCD CONSOLE WITH RFID OPEN IPTV	100001-199999	300001-399999		

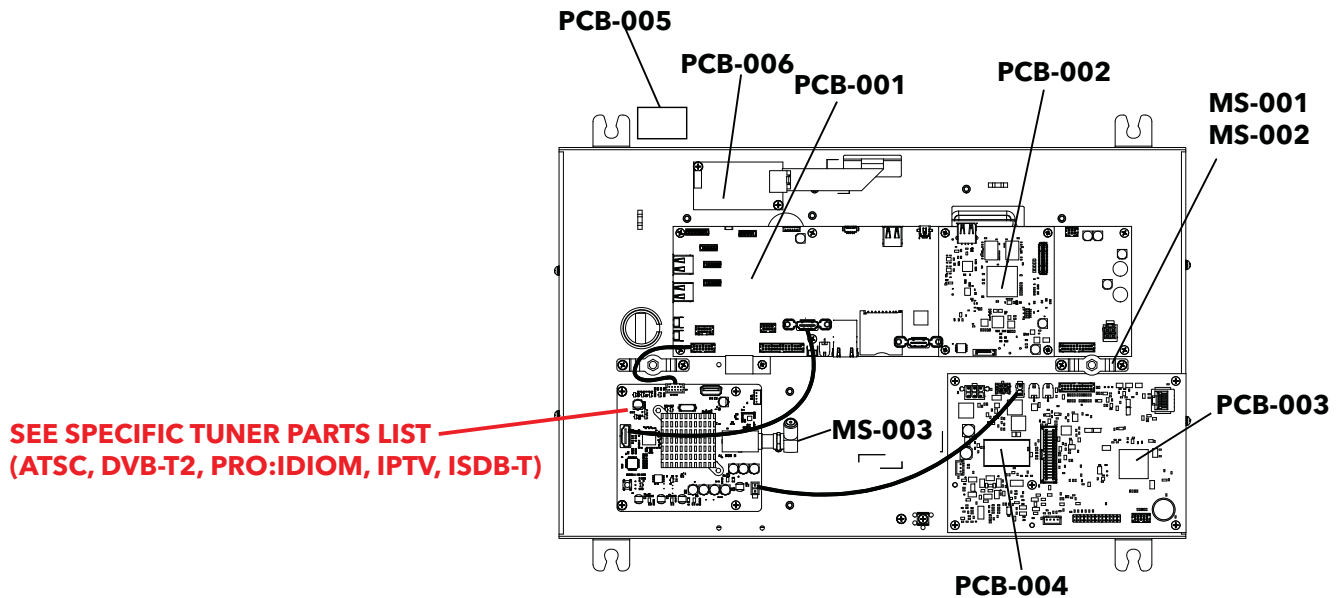
* Refer to first three letters of the product's Serial Number for the Alpha code

Console Serial Number Table

ISDB-T / NTSC TUNER						
Part No.	Alpha Code*	Description	Serial Number Range	Serial Number Range	Serial Number Range	Serial Number Range
19DT-XXXXS-01	EST	NC 19-INCH LCD TREAD CONSOLE ISDB-T	100001 - 199999	700001 - 799999		
19DT-XXRXS-01	EST	NC 19-INCH LCD TREAD CONSOLE ISDB-T, RFID	100001 - 199999	700001 - 799999		
19DT-XWXXS-01	EST	NC 19-INCH LCD TREAD CONSOLE ISDB-T, WIFI	100001 - 199999	700001 - 799999		
19DT-XWRXS-01	EST	NC 19-INCH LCD TREAD CONSOLE ISDB-T, WIFI	100001 - 199999	700001 - 799999		
19DT-XXXXS-02	EST	NC 19-INCH DISCOVER SE TREAD CONSOLE ISDBT	200001 - 299999	300001 - 399999	400001-499999	800001-899999
19DT-XXRXS-02	EST	NC 19-INCH DISCOVER SE TREAD CONSOLE RFID ISDBT	200001 - 299999	300001 - 399999	400001-499999	800001-899999
19DT-XWXXS-02	EST	NC 19-INCH DISCOVER SE TREAD CONSOLE WIFI ISDBT	200001 - 299999	300001 - 399999	400001-499999	800001-899999
19DT-XWRXS-02	EST	NC 19-INCH DISCOVER SE TREAD CONSOLE WIFI RFID ISDBT	200001 - 299999	300001 - 399999	400001-499999	800001-899999
19DT-XXXXS-03	FST	NC 19-INCH DISCOVER SE TREAD CONSOLE ISDBT	100001 - 199999	300001 - 399999		
19DT-XXRXS-03	FST	NC 19-INCH DISCOVER SE TREAD CONSOLE RFID ISDBT	100001 - 199999	300001 - 399999		
19DT-XWXXS-03	FST	NC 19-INCH DISCOVER SE TREAD CONSOLE WIFI ISDBT	100001 - 199999	300001 - 399999		
19DT-XWRXS-03	FST	NC 19-INCH DISCOVER SE TREAD CONSOLE WIFI RFID ISDBT	100001 - 199999	300001 - 399999		

* Refer to first three letters of the product's Serial Number for the Alpha code

Common Boards for Consoles



Parts List

Item	Part Number	Alpha Code	Description	Serial Number Range	Serial Number Range
PCB-001	B084-92388-0001	EAT, EDT, EIT, EST	Carrier Board, V7	300001-399999	700001-799999
		EAT, EDT, EIT, EST, EPT, ENT		400001-499999	800001-899999
		EPT		100001-199999	
		FAT, FPT, FDT, FIT, FXT, FST		100001-199999	300001-399999
PCB-002	A084-92420-0001	EAT, EDT, EIT, EST, EPT, ENT	IMX6 COM Board (See Note 2)	400001-499999	800001-899999
		FAT, FPT, FDT, FIT, FXT, FST		100001-199999	300001-399999
	A084-92420-0001	EAT, EDT, EIT, EST, EPT	Retrofit to IMX6 COM Board (See Note 1).	100001-199999	200001-299999
				300001-399999	700001-799999
PCB-003	A084-92386-0000	EAT, EDT, EIT, EST, EPT, ENT	MIB Board	ALL	
		FAT, FPT, FDT, FIT, FXT, FST		100001-199999	300001-399999
PCB-004	B084-92385-0000	EAT, EDT, EIT, EST, EPT, ENT	Apple Authentication Board	ALL	
PCB-005	118E-00001-0289	ALL	Bluetooth Dual Mode Module	ALL	
PCB-006	N/A	See PLS-008	Touch Controller Board (See Note 1 on page 16)	ALL	
MS-001	0K92-01068-0000	ALL	Standoff: M-F Threaded Hex		
MS-002	0K92-01067-0000	ALL	Hat Bracket: Tread		
MS-003	0017-00021-2810	ALL	F Type Connector		

Note 1: To retrofit, see [Procedure to Change the Discover Console SOM Board from IMX53 to IMX6.pdf](#) on [lfttechsupport.com](#)

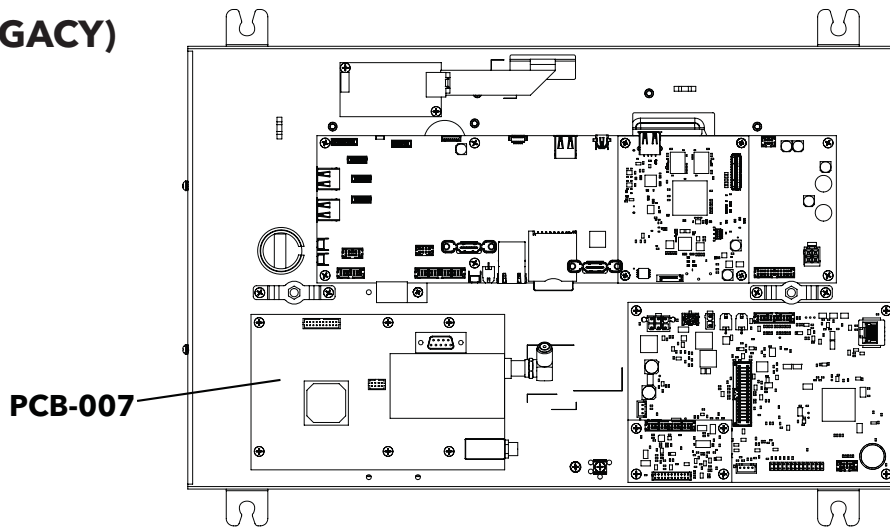
Note 2: Anytime the COM Board is changed, follow the same procedure in Note 1 with the following exceptions:

- Replace procedure's reference to "IMX53" with "existing IMX6".
- Replace procedure's reference to "IMX6" with "new IMX6 board"
- Ignore references to new touch screen cable.

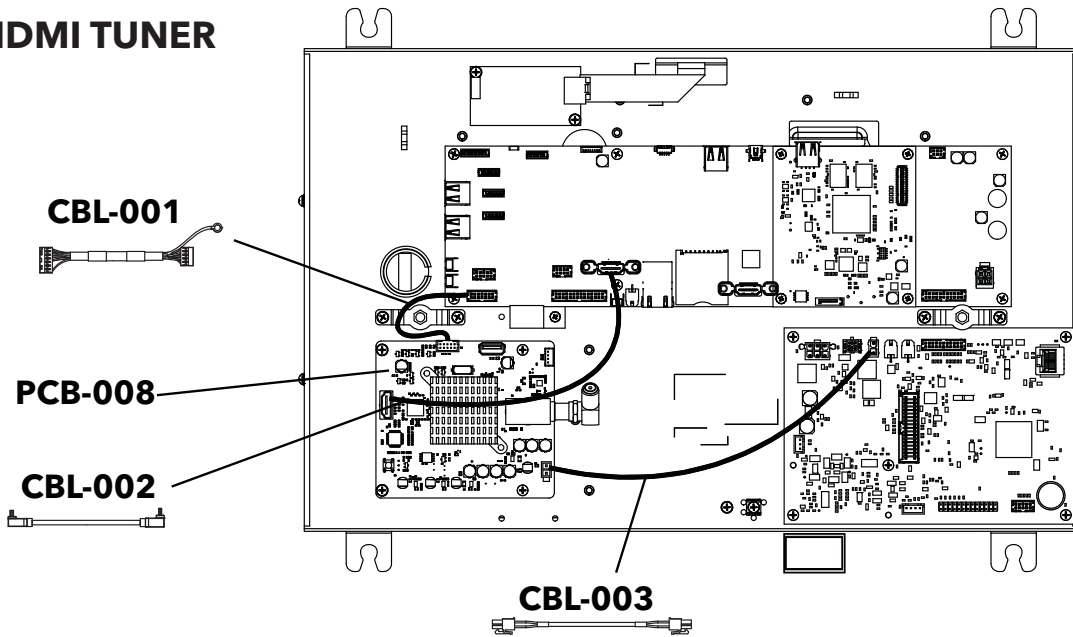
When the COM board is changed, it will likely need "Courses" installed (since this resides on the COM board). These steps are included in Step 15 of the above procedure so please be sure to complete this and prevent a "Service Manager" error.

Parts List for ATSC Tuner Board

ATSC DTB (LEGACY)



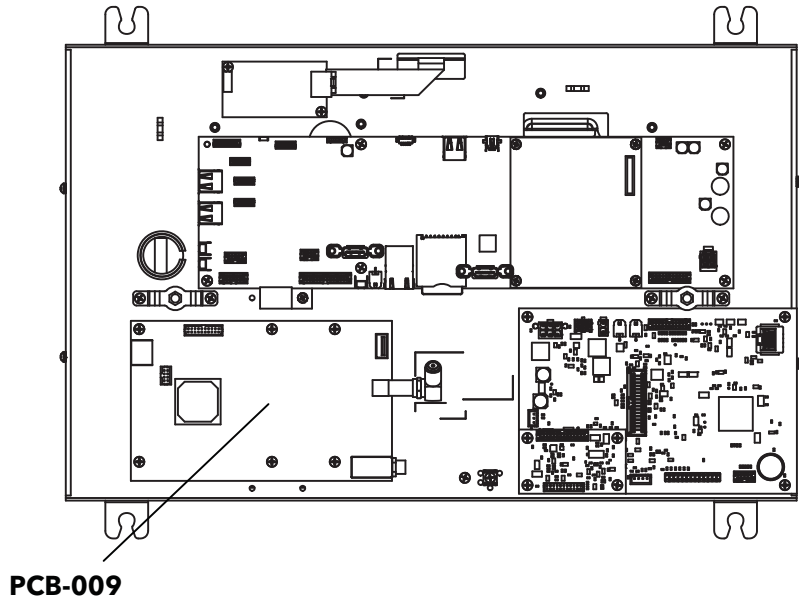
ATSC HDMI TUNER



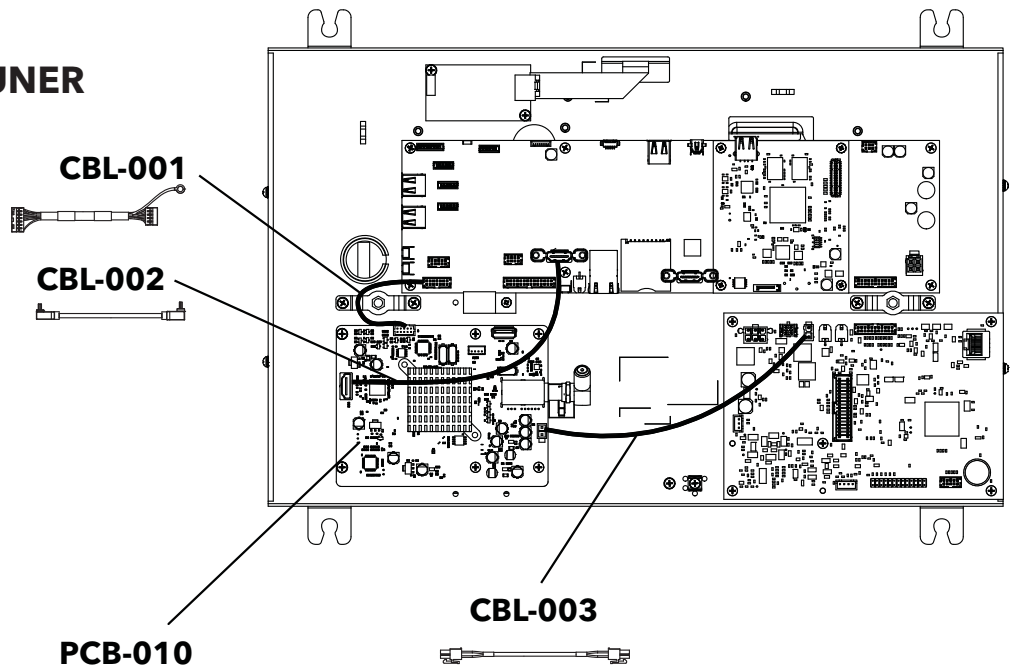
Item	Part Number	Alpha Code	Description	Serial Number Range	Serial Number Range
PCB-007	A084-92364-0002	EAT	Digital ATSC Tuner Board	100001-199999	200001-299999
				300001-399999	700001-799999
				400001-499999	800001-899999
PCB-008	A084-92516-0000	FAT	ATSC (HDMI) Tuner Board	ALL	
CBL-001	See CABLES section on page 14.				
CBL-002					
CBL-003					

Parts List for DVB-T2 Tuner Board

DVB-T2 DTB (LEGACY)

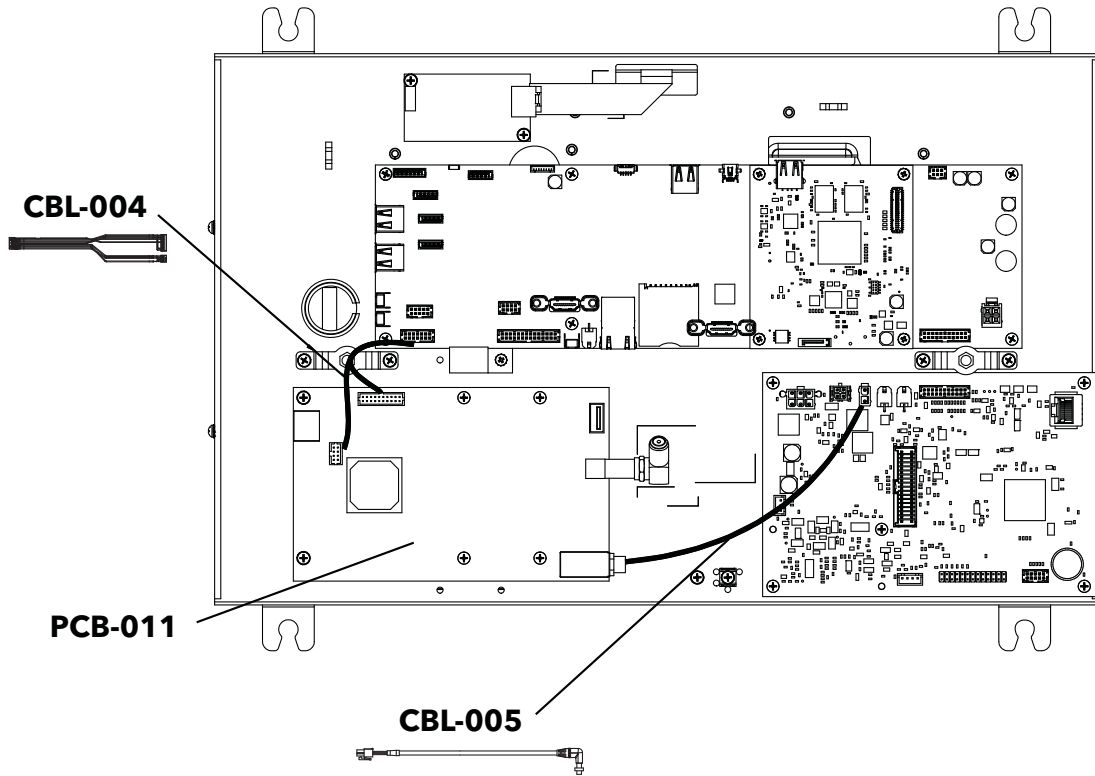


DVB-T2 HDMI TUNER



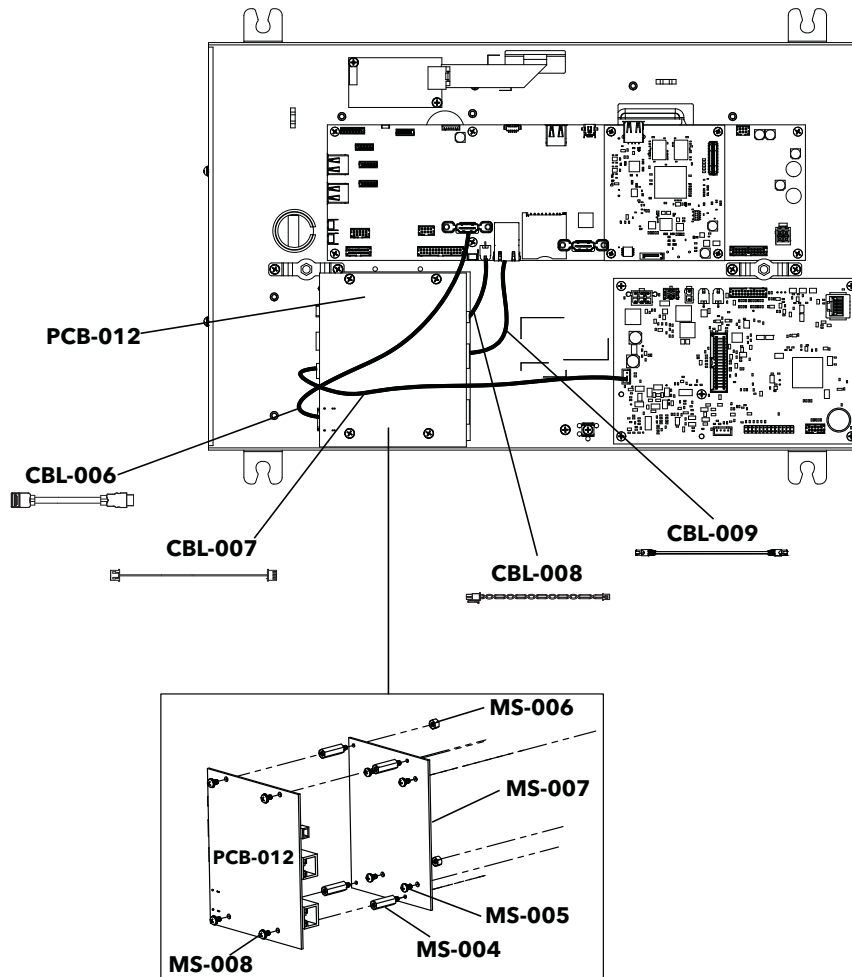
Item	Part Number	Alpha Code	Description	Serial Number Range	Serial Number Range
PCB-009	A084-92396-0001	EDT	DVB-T2 Tuner Board	100001-199999	200001-299999
				300001-399999	700001-799999
				400001-499999	800001-899999
PCB-010	A084-92517-0000	FDT	DVB-T2 HDMI Tuner Board	ALL	
CBL-001	See CABLES section on page 14.				
CBL-002					
CBL-003					

Parts List for PRO:IDIOM Tuner Board



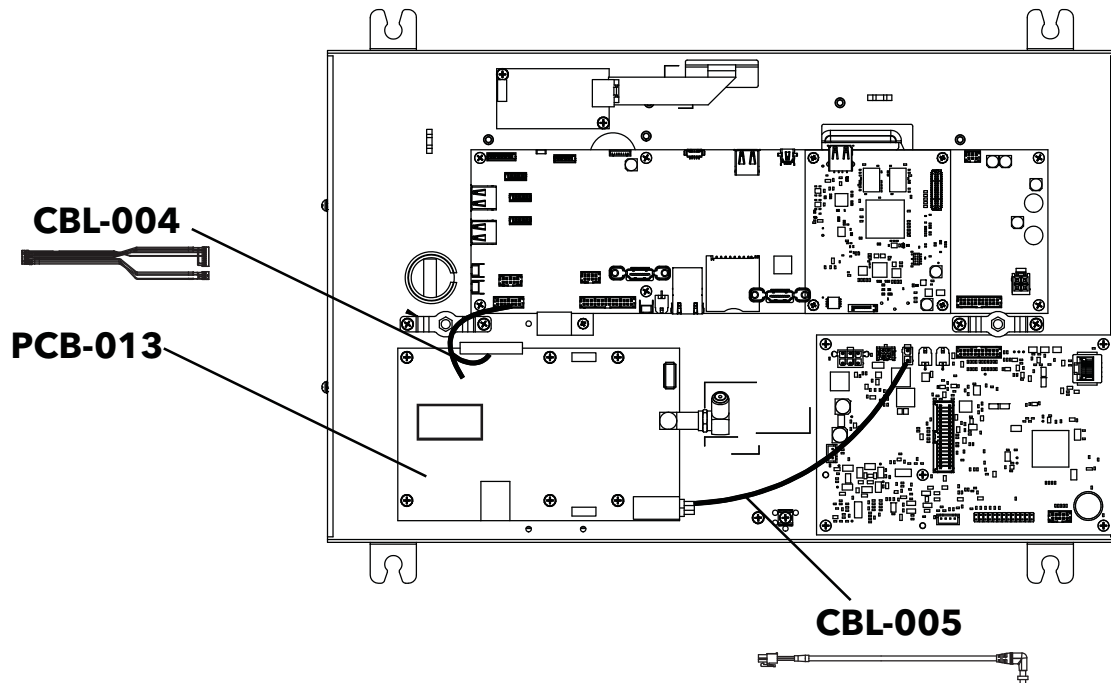
Item	Part Number	Alpha Code	Description	Serial Number Range	Serial Number Range
PCB-011	A084-92511-0000	EPT	ATSC with Proldiom Tuner Board	100001-199999	
		FPT		400001-499999	800001-899999
				ALL	
CBL-004	See CABLES section on page 14.				
CBL-005					

Parts List for STB-IPTV Tuner Board



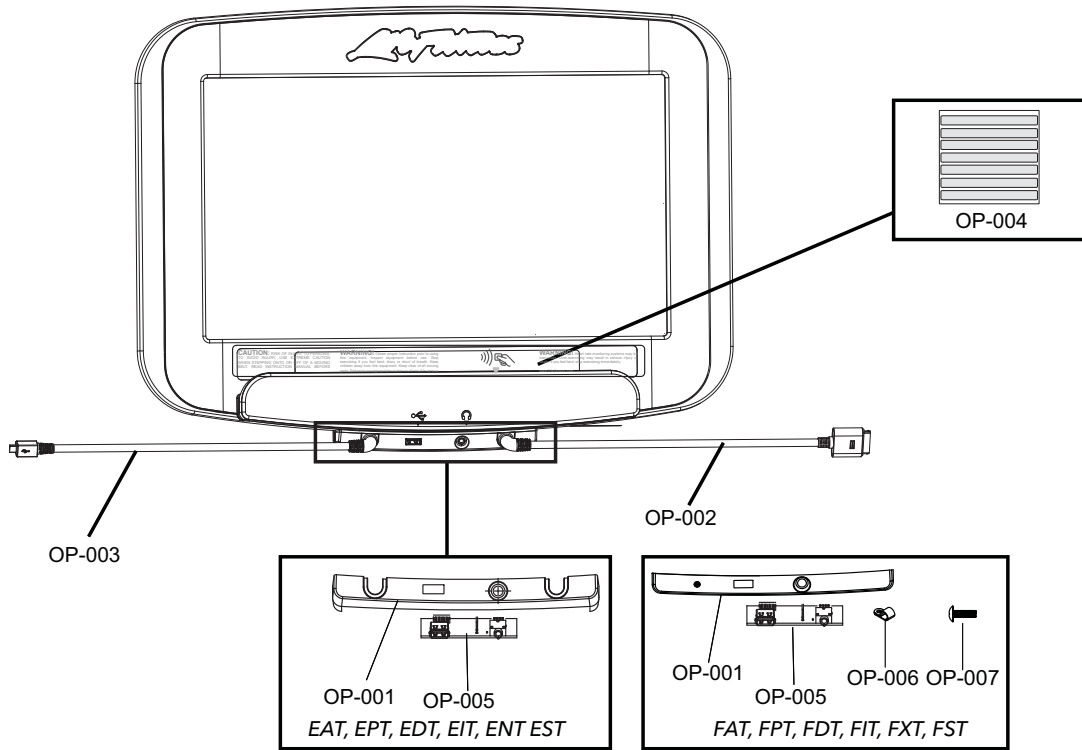
Item	Part Number	Alpha Code	Description	Serial Number Range	Serial Number Range
PCB-012	118E-00001-0300	EIT	PCB, IPTV Receiver Board	100001-199999	200001-299999
				300001-399999	700001-799999
		FIT		400001-499999	800001-899999
				100001-199999	300001-399999
MS-004	0017-00009-1342	ALL	Male-Female Threaded Hex Standoff		
MS-005	0017-00101-2117	ALL	Phillips screw, Internal Lock Washer		
MS-006	0017-00009-1343	ALL	Female Threaded Standoff Hex		
MS-007	0K92-01085-0000	ALL	Chassis Mating Plate		
MS-008	0017-00101-1971	ALL	M3 X 6 Phillips Pan Head Screw		
CBL-006	See CABLES section on page 14.				
CBL-007					
CBL-008					
CBL-009					

Parts List for ISDB-T Tuner Board



Item	Part Number	Alpha Code	Description	Serial Number Range	Serial Number Range
PCB-013	A084-92374-0002	EST	ISDB Tuner Board	100001-199999	200001-299999
				300001-399999	700001-799999
				400001-499999	800001-899999
		FST		100001-199999	300001-399999
CBL-004	See CABLES section on page 14.				
CBL-005					

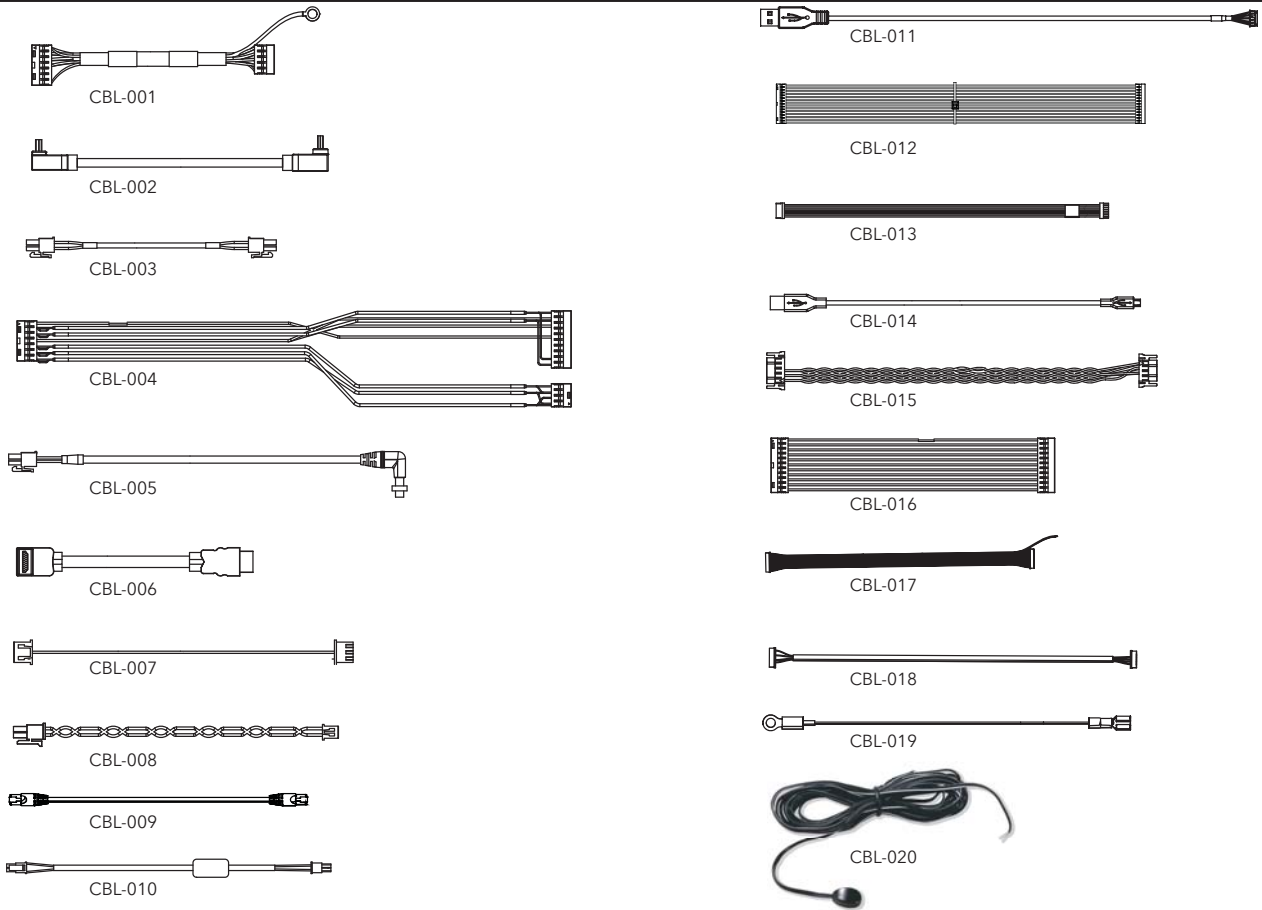
Option Panel



Parts List

Item	Part Number	Alpha Code	Item Description	Serial Number Range	Serial Number Range
OP-001	0K92-01001-0200	EAT, EPT, EDT, EIT, ENT, EST	PANEL, OPTION SHDW -02XX	100001-199999	700001-799999
	0K92-01001-2400		OPTION PANEL, BLACK	200001-299999	300001-399999
	0K92-01201-2400	FAT, FPT, FDT, FIT, FXT, FST	PLASTIC, OPTION PANEL	400001-499999	800001-899999
OP-002	AK92-00001-0200	EAT, EPT, EDT, EIT, ENT, EST	CABLE ASSY; APPLE, SHDW -02XX	100001-199999	
	AK92-00001-0700		APPLE CABLE - V6- BLACK	200001-299999	
	AK92-00077-0200		APPLE CABLE - V7 - SHADOW GRAY	700001-799999	
	AK92-00077-0700		APPLE CABLE - V7 - BLACK	300001-399999	400001-499999
OP-003	AK92-00002-0200	EAT, EPT, EDT, EIT, ENT, EST	CABLE ASSY; ANDROID, SHDW -02XX	100001-199999	
	AK92-00002-0700		ANDROID CABLE - V6 - BLACK	200001-299999	
	AK92-00078-0200		ANDROID CABLE - V7 - SHADOW GRAY	700001-799999	
	AK92-00078-0700		ANDROID CABLE - V7 - BLACK	300001-399999	400001-499999
OP-004	AK92-00043-0000	EAT, EPT, EDT, EIT, ENT, EST	WARNING LABEL, TREAD; ALL LANGUAGES BUNDLED	ALL	
	0K92-01233-0000	FAT, FPT, FDT, FIT, FXT, FST	WARNING LABEL, TREAD; ALL LANGUAGES	ALL	
OP-005	B084-92391-0003	EAT, EPT, EDT, EIT, ENT, EST	PCB-ASSY: USB / HEADPHONE ASSY, V6	100001-199999	200001-299999
	B084-92391-0004			300001-399999	700001-799999
			FAT, FPT, FDT, FIT, FXT, FST	PCB-ASSY: USB / HEADPHONE ASSY, V7	400001-499999
				ALL	
OP-006	0K92-01229-0000	FAT, FPT, FDT, FIT, FXT, FST.	D2 CABLE CLAMP CLIP	ALL	
OP-007	0017-00101-2100	FAT, FPT, FDT, FIT, FXT, FST.	M3 X.5 X 10 PHL PAN SCREW (Clip Screw)	ALL	

Cables

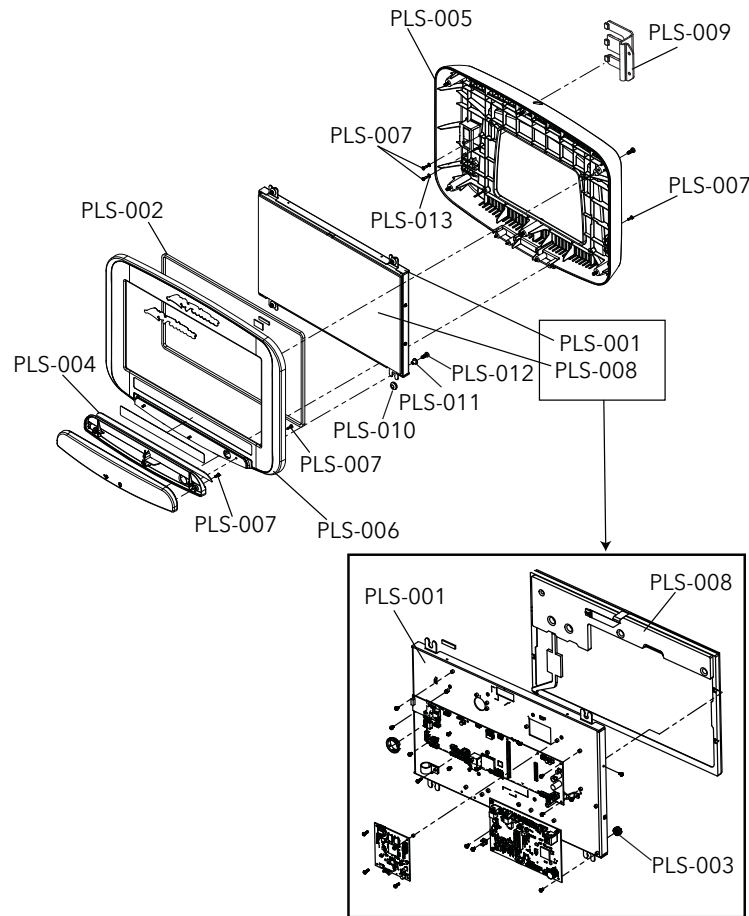


Item	Part Number	Alpha Code	Description	Serial Number Range
CBL-001	AK92-00264-0000	FAT, FDT	Cable: Swift 12C and Audio (for HDMI Tuner Board)	ALL
CBL-002	AK92-00263-0000	FAT, FDT	Cable: Swift Tuner HDMI to HDMI (for HDMI Tuner Board)	ALL
CBL-003	AK92-00265-0000	FAT, FDT	Cable: Swift Tuner DC Power Cable (for HDMI Tuner Board)	ALL
CBL-004	AK92-00013-0000	EST, EPT, FST, FPT, EAT, EDT, EST	Cable: Carrier Digital TV to Tuner (for Legacy Tuner Board)	ALL
CBL-005	AK92-00008-0000	EST, EPT, FST, FPT, EAT, EDT, EST	Cable: MIB 12V to Tuner 12V (for Legacy Tuner Board)	ALL
CBL-006	AK92-00014-0000	EIT, FIT	Cable: HDMI IPTV Receiver BD to Carrier BD	ALL
CBL-007	AK92-00009-0000	EIT, FIT	Cable: MIB IR to IPTV Receiver IR	ALL
CBL-008	AK92-00018-0000	EIT, FIT	Cable: 5V Carrier to IPTV Receiver BD	ALL
CBL-009	AK70-00092-0003	EIT, FIT	Cable: CAT5e IPTV Receiver to Carrier	ALL
CBL-010	AK92-00006-0000	ALL	Cable: Carrier 24V to MIB 24V	ALL
CBL-011	AK92-00082-0000	ALL	Cable: Touch Controller Cable (to IMX6)	ALL
CBL-012	AK92-00007-0000	EAT, EPT, EDT, EIT, ENT, EST	Cable: Carrier Apple con to Apple bd	ALL
CBL-013	AK92-00020-0000	ALL	Cable: Carrier USB to Bluetooth	ALL
CBL-014	AK92-00072-0000	ALL	Cable: USB Type A to Micro B	ALL
CBL-015	AK92-00015-0001	ALL	Cable: Carrier Headphone to Option Panel	ALL

Cables

Item	Part Number	Alpha Code	Description	Serial Number Range
CBL-016	AK92-00027-0000	ALL	Cable: Carrier to MIB	ALL
CBL-017	AK92-00005-0000	ALL	Cable: COM LVDS to LCD LVDS	ALL
CBL-018	AK92-00003-0000	ALL	Cable: Carrier Backlight to LCD Backlight	ALL
CBL-019	AK65-00103-0000	ALL	Cable: Ground ESD	ALL
CBL-020	1003446-0001	EIT, FIT	IR Emitter (Blaster) Cable, Spare for IPTV TX Kit Note: This cable is attached to a STB (not in console)	ALL

Plastics and Display Components

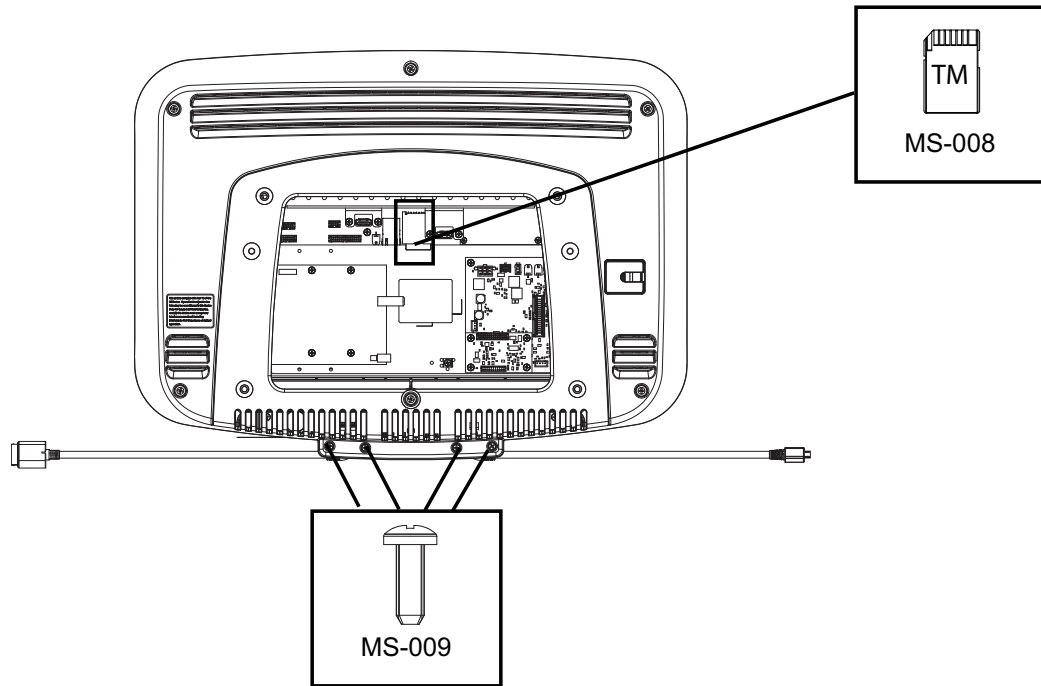


Parts List

Item	Part Number	Alpha Code	Description	Serial Number Range	Serial Number Range
PLS-001	0K92-01218-0000	ALL	Panel, Chassis, Tread	ALL	
PLS-002	0K92-01016-0000	ALL	Gasket, 18.5"	ALL	
PLS-003	0017-00042-1231	ALL	Grommet: Vibration Isolating C	ALL	
PLS-004	See Related Kit GK92-00002-0012	ALL	Rubber Insert Treadmill (included with GK92-00002-0012 Kit)	ALL	
PLS-005	0K92-01010-2400	ALL	Case, Tread Console, CHGR	ALL	
PLS-006	See Related Kit GK92-00002-0006	ALL	Bezel, Console Treadmill, CHGR (included in GK92-00002-0006 Kit)	ALL	
PLS-007	0017-00101-1650	ALL	VMI 6-19 X 6 PHL PAN PLT ST BZ B	ALL	
PLS-008	GK92-00037-0000 (See Note 1)	ALL	KIT: LCD Panel & Touch Screen Assembly & Touch Screen Controller Board	ALL	
PLS-009	0K99-01001-2400	ALL	CSAFE Access Door	ALL	
PLS-010	0017-00042-1160	ALL	Gromet: Vibration Isolating B	ALL	
PLS-011	0K58-01381-0000	ALL	Shoulder Bushing	ALL	
PLS-012	0017-00101-1972	ALL	M5 X 14 Phillips Pan Head Screw	ALL	
PLS-013	0017-00104-0456	ALL	Washer 6 156-.310-030 FL-D ST ZN B	ALL	

Note 1: The LCD and Touch Screen are assembled in a clean room environment, and cannot be changed individually in the field. The Touch Screen Controller Board is mated to the Touch Screen and must be paired up in a console for full functionality. Do not separate Touch Screen from Touch Screen Controller Board.

Miscellaneous



Parts List

Item	Alpha Code	Part Number	Item Description	Serial Number Range	Serial Number Range
MS-008*	ALL	AK94-00012-0000 (See Notes 1 & 2)	COURSES SD CARD: TREADMILL	EDT 100001-102371	EDT 200001-200007
				EAT 100001-102891	EAT 200001-200007
				EST 200001-200010	
				EIT 200001-299999	
MS-009	ALL	0017-00101-1650	VMI 6-19 X 6 PHL PAN PLT ST BZ B	ALL	
MS-010	ALL	0017-00101-2108	M5 X 14MM PHL PHMS (not shown) (Console Mounting Screw - comes in the base hardware kit)	ALL	
MS-011	ALL	0017-00021-3386	Round Ferrite, 25-300 MHz (not shown)	ALL	
MS-012	ALL	121E-00001-0037	Ferrite Bead, Round (not shown)	ALL	
MS-013	ALL	0017-00081-0348	Tape, Conductive Foam (not shown)	ALL	
MS-014	ALL	121E-00001-0025	Clamp Filter: Ferrite Core with Case (not shown)	ALL	
MS-015	ALL	0K39-01044-0001	Tape, Adhesive, Double-Sided (not shown)	ALL	
MS-016	ALL	0017-00101-2016	M3 X 10 Phillips Pan Head Screw (not shown)	ALL	
MS-017	ALL	0017-00101-1971	M3 X 6 Phillips Pan Head Screw (not shown)	ALL	
MS-018	ALL	0017-00100-0263	O-Ring, Rubber (not shown)	ALL	
MS-019	ALL	0017-00042-1235	Ferrite Mounting Bracket (not shown)	ALL	
MS-020	ALL	0017-00042-0622	Cable Tie (not shown)	ALL	
MS-021	ALL	0017-00021-3368	Quick Disconnect Terminal, Dual, Male (not shown)	ALL	
MS-022	ALL	0017-00009-1335	Spacer, Round M3 (not shown)	ALL	

***Note 1:** The SD cards for Lifescape Courses were installed in units upon first production. The product was then improved to not require the SD card in the console. The console serial numbers indicated were manufactured with SD cards installed, so they will either need the SD card for servicing / repair or the courses can be burned into the console using the procedure in Note 2.

Note 2: Courses can be installed directly into the console if SD cards are not the desired option. See [Procedure to Install Original Courses from a USB Stick into a Discover Tread or Non-Tread Console.pdf](#) on [lftechsupport.com](#) under Discover SE Service Bulletins.

Kits

Parts List

Item	Part Number	Alpha Code	Description	Serial Number Range	Serial Number Range
KIT-001	GK92-00002-0012	ALL	Kit: RFID Reading Rack, Tread, Charcoal Gray	ALL	
KIT-002	GK92-00002-0011	EAT, EPT, EDT, EIT, ENT, EST	Kit: RFID Reading Rack, Tread, Shadow Gray	ALL	
KIT-003	GK92-00002-0015	EAT, EPT, EDT, EIT, ENT, EST	Option Panel Kit, Charcoal Gray, remove cables	ALL	
KIT-004	GK92-00002-0016	EAT, EPT, EDT, EIT, ENT, EST	Option Panel Kit, Shadow Gray, remove cables	ALL	
KIT-005	GK92-00002-0002	ALL	Wireless Connectivity Retrofit Kit	ALL	
KIT-006	GK92-00002-0003	ALL	RFID Retrofit Kit	ALL	
KIT-007	GK92-00002-0006	ALL	Bezel + decal, Discover Tread, CHGR	ALL	
KIT-008	IPTV-TXKIT-02	EIT, FIT	Discover SE IPTV: Transmitter Kit	ALL	