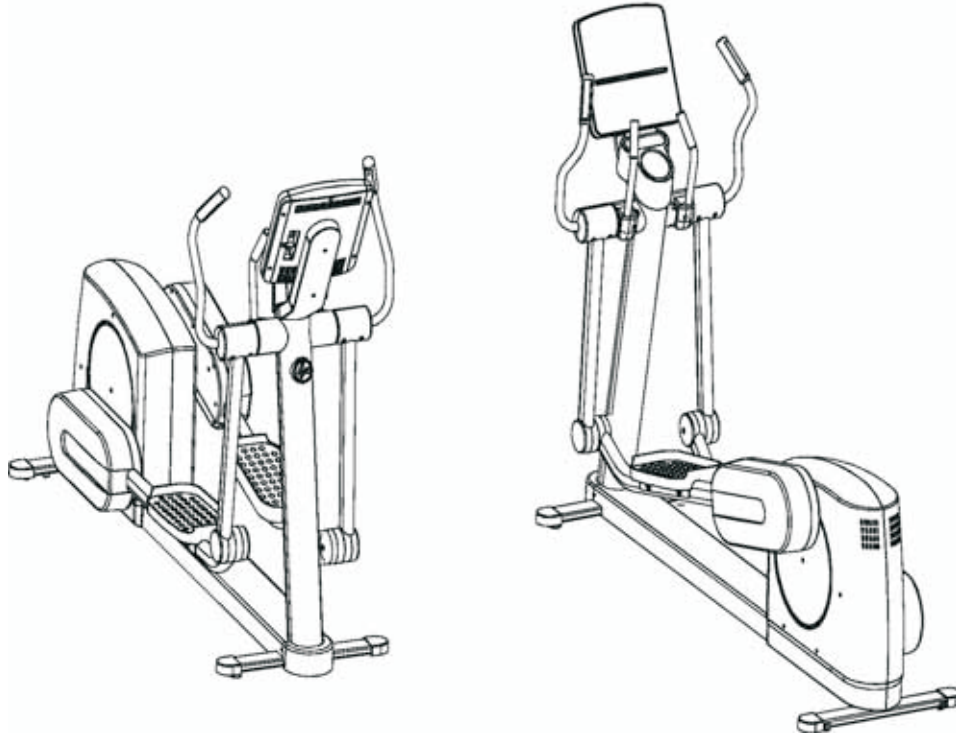


# LifeFitness

Arctic Silver Quiet Drive Cross-trainer 93X-0XXX-03

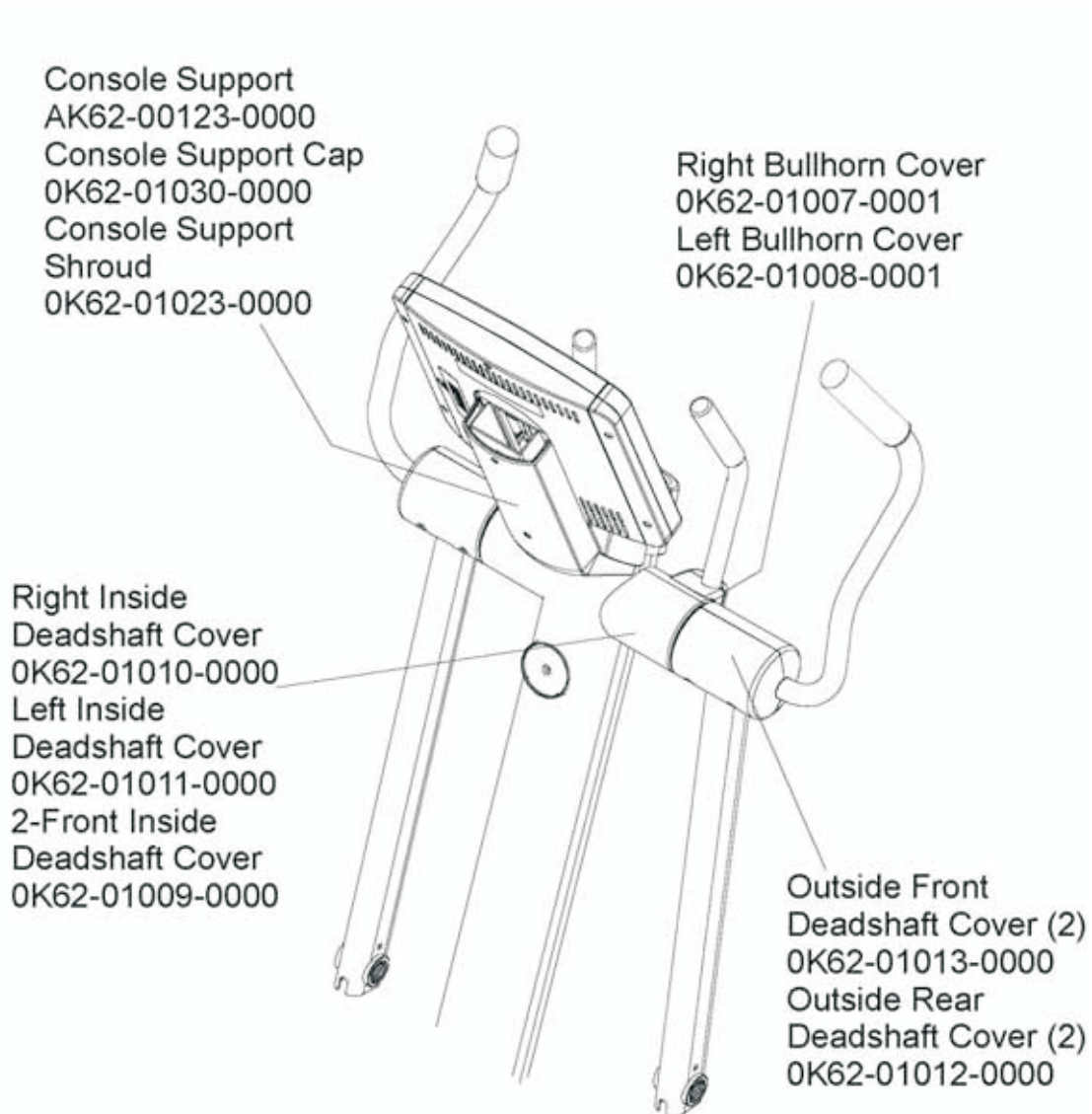


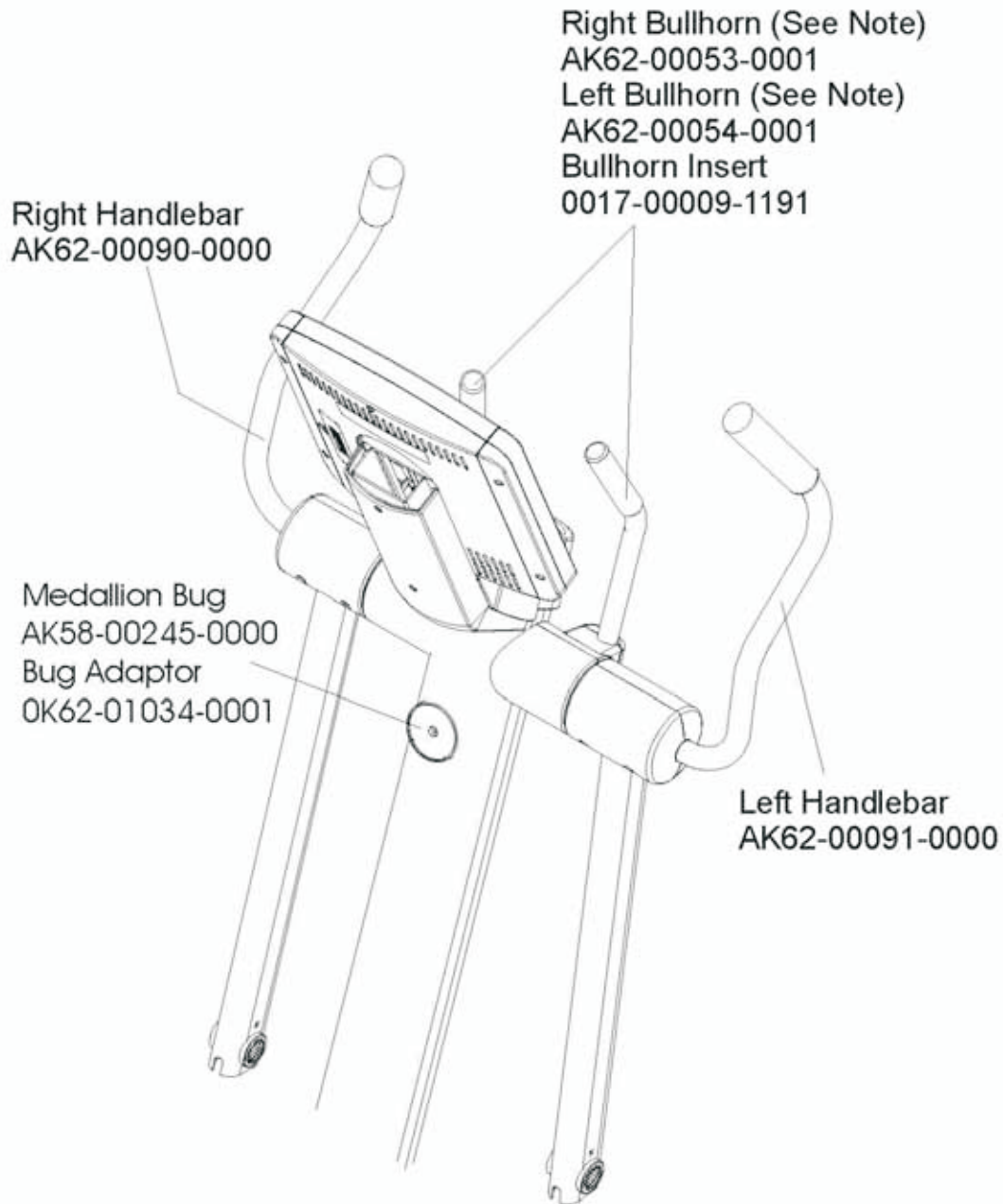
Customer Support Services  
**PARTS MANUAL** rev 8 Jun 2012

Miscellaneous .....	3
Console Support and Deadshaft Covers .....	4
Handlebars and Bullhorns .....	5
Console and Related Components .....	6
Upper Frame Hardware .....	7
Rocker Arms and Pedal Levers .....	8
Crank Cover and Lower Caps .....	9
Lower Frame Shrouds and Hardware .....	10
Pedal Lever Components .....	11
PCB, Battery, Reed Switch, and Bracket .....	12
Bearing Insert Assembly .....	13
Crankarm Pulley Assembly .....	14
Drive Module .....	15
Drive Module Hardware .....	16
Cables .....	17

Description	Part No.
OPERATION MANUAL	M051-00K62-A111
SERVICE MANUAL	M051-00K62-A149
TOUCH UP PAINT:	
SPRAY CAN	0017-00008-0204
0.5 OZ BOTTLE W/APPLICATOR	0017-00008-0205
0.33 OZ PEN	0017-00008-0206
HARDWARE BAG	AK62-00152-0001
PLUG IN OPTION 120/60	GK62-00002-0018
PLUG IN OPTION 240/50 UK	GK62-00002-0019
PLUG IN OPTION 240v AUS	GK62-00002-0020
PLUG IN OPTION 230/50 CONT.	GK62-00002-0021
C-SAFE KIT	GK63-00002-0003

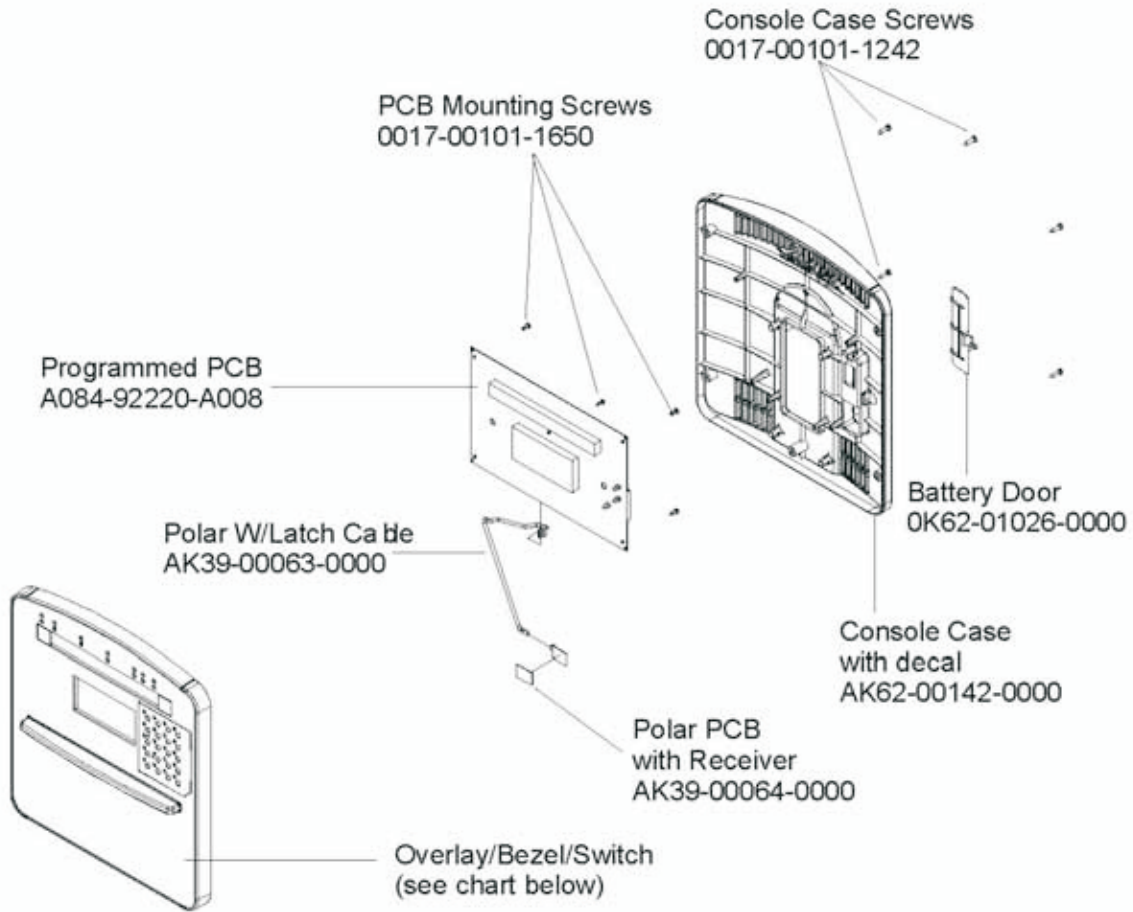
Model 93X has telemetry only.





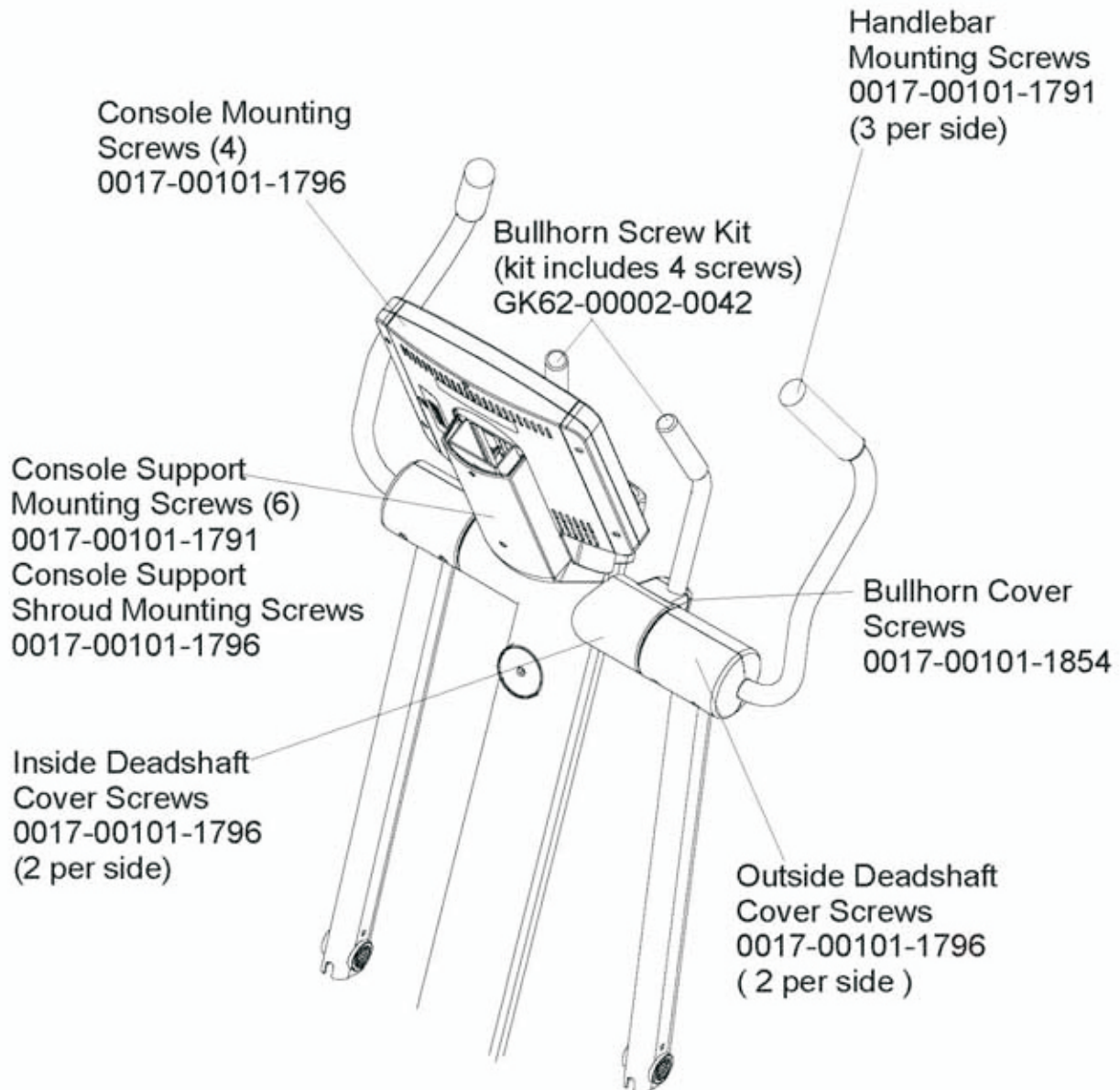
NOTE: The Right Bullhorn Assembly consists of: AK62-00057-0001 Bullhorn, OK62-01136-0000 Grip, and OK62-01199-0000 Gasket.

NOTE: The Left Bullhorn Assembly consists of: AK62-00058-0001 Bullhorn, OK62-01136-0000 Grip and OK62-01199-0000 Gasket



CONSOLE	OVERLAY/BEZEL/SWITCH	LANGUAGE
AK62-00327-0001	AK62-00190-0001	Eng
AK62-00327-0003	AK62-00190-0003	Ger/Met
AK62-00327-0004	AK62-00190-0004	Spn/Met
AK62-00327-0006	AK62-00190-0006	Jap/Met
AK62-00327-0007	AK62-00190-0007	Frn/Met
AK62-00327-0008	AK62-00190-0008	Ital/Met
AK62-00327-0009	AK62-00190-0009	Dut/Met
AK62-00327-0010	AK62-00190-0010	Port/Met
AK62-00327-0014	AK62-00190-0010	Turk/Met

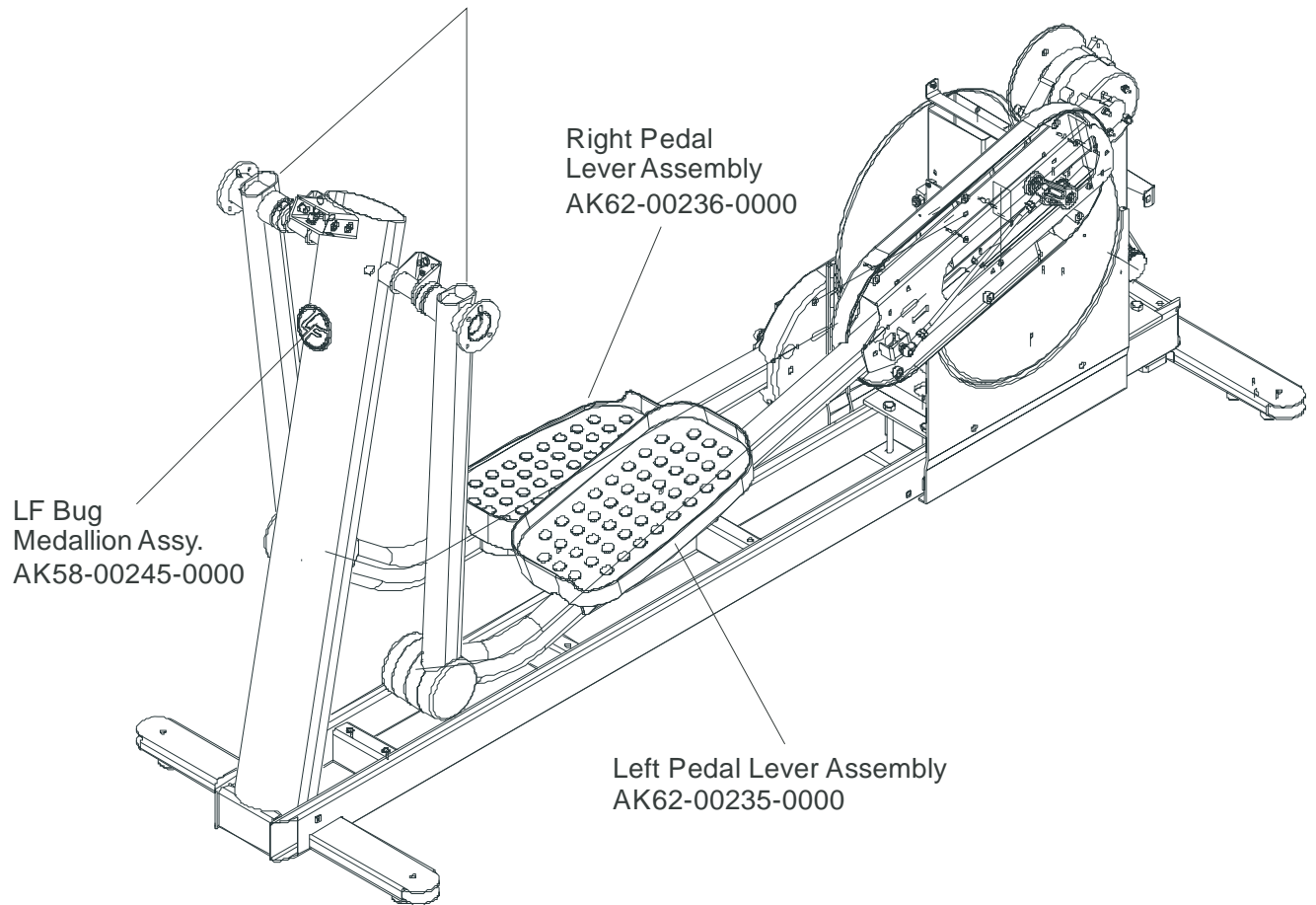
Items Not Shown	
Accessory Tray	0K62-01022-0000
Accessory Tray Mounting Screws (2)	0017-00101-1846

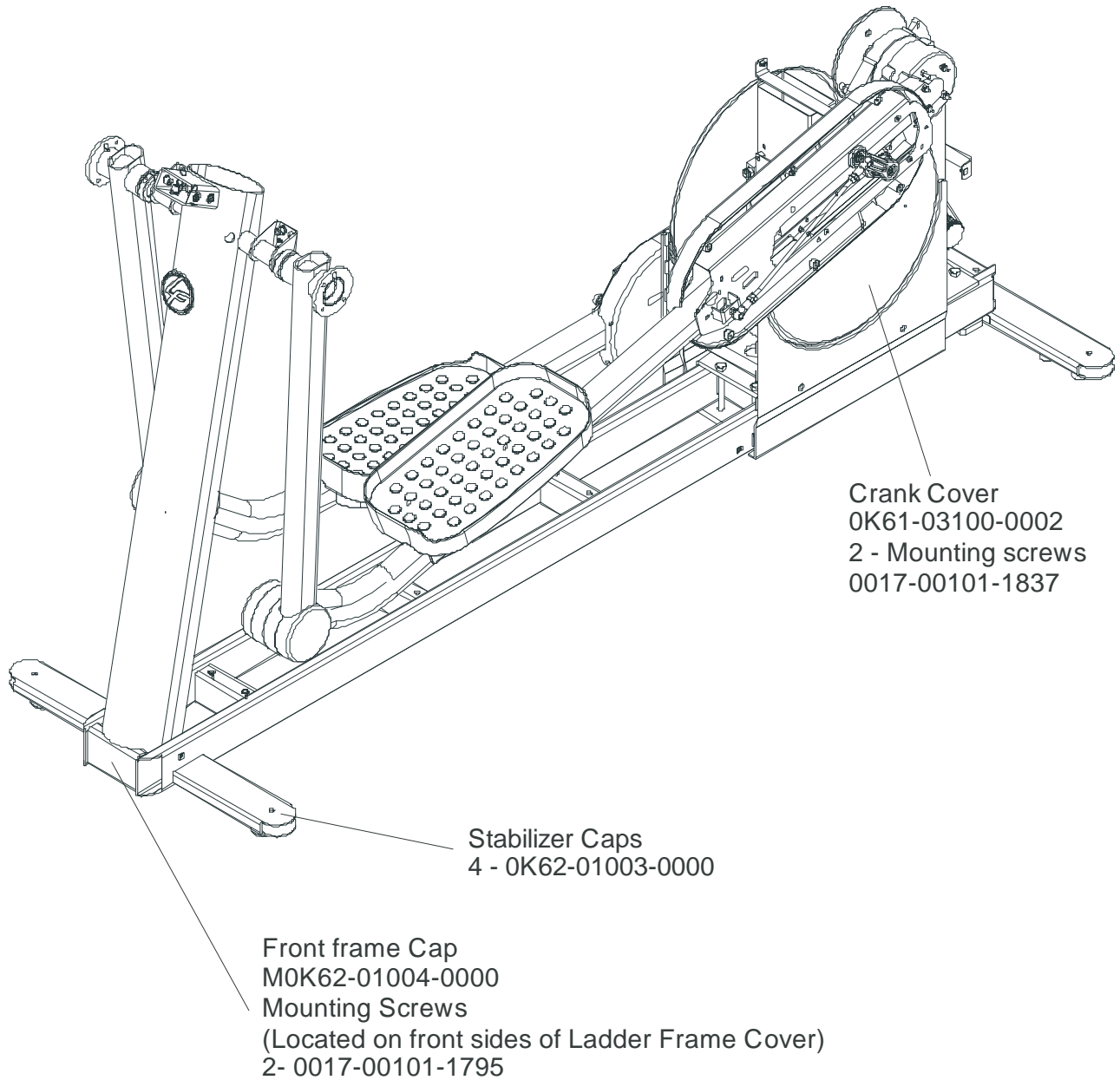


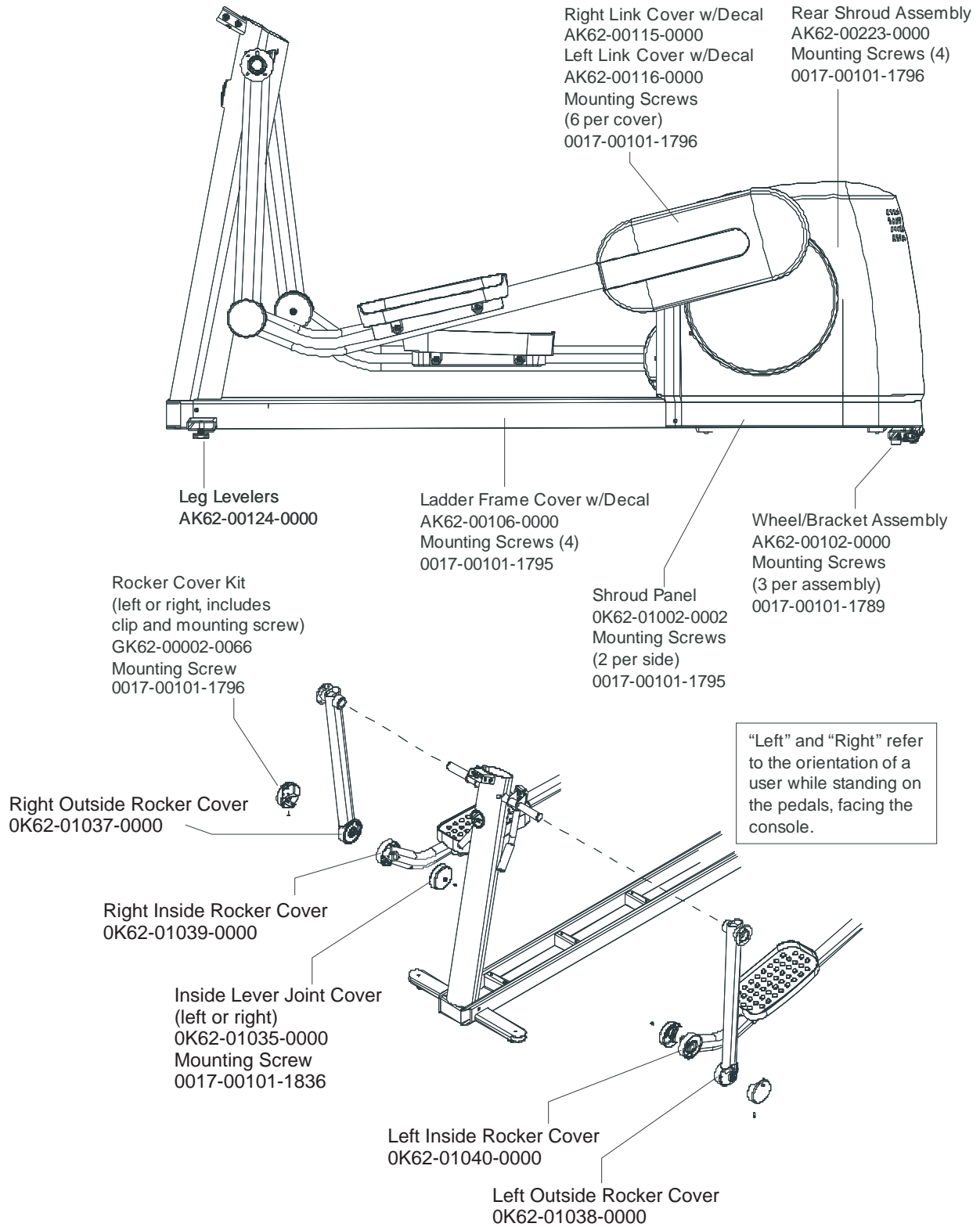
Rocker Arms Kit  
GK62-00002-0070  
contents:

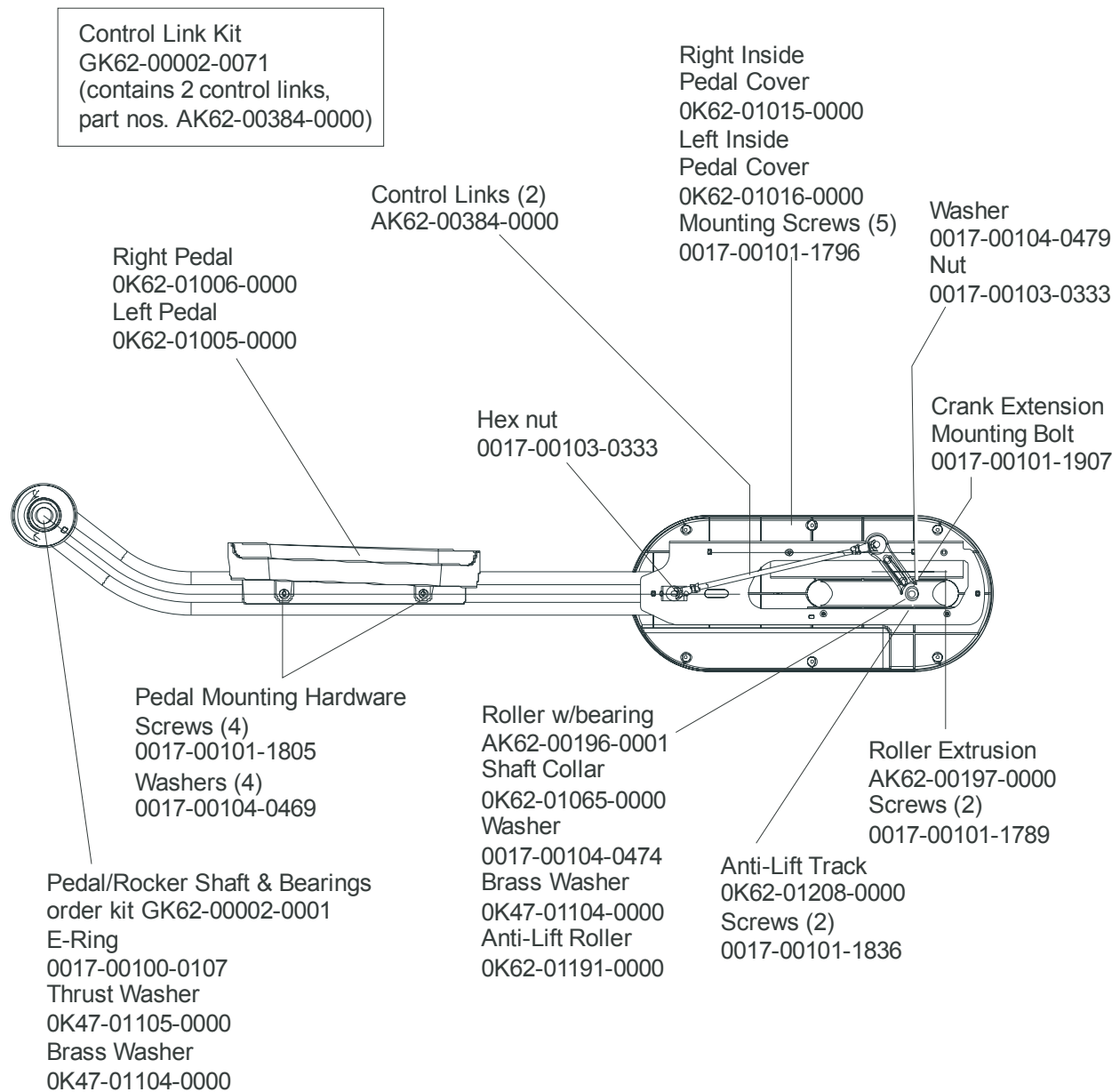
Rocker Arms (2)  
Hardened Spacers (2)  
Oilite Washers (2)  
Retaining Rings (2)  
Loctite 620  
Alcohol pad

Rocker Arms  
AK62-00062-0001  
Shaft Collar w/Screws  
0K61-01259-0000

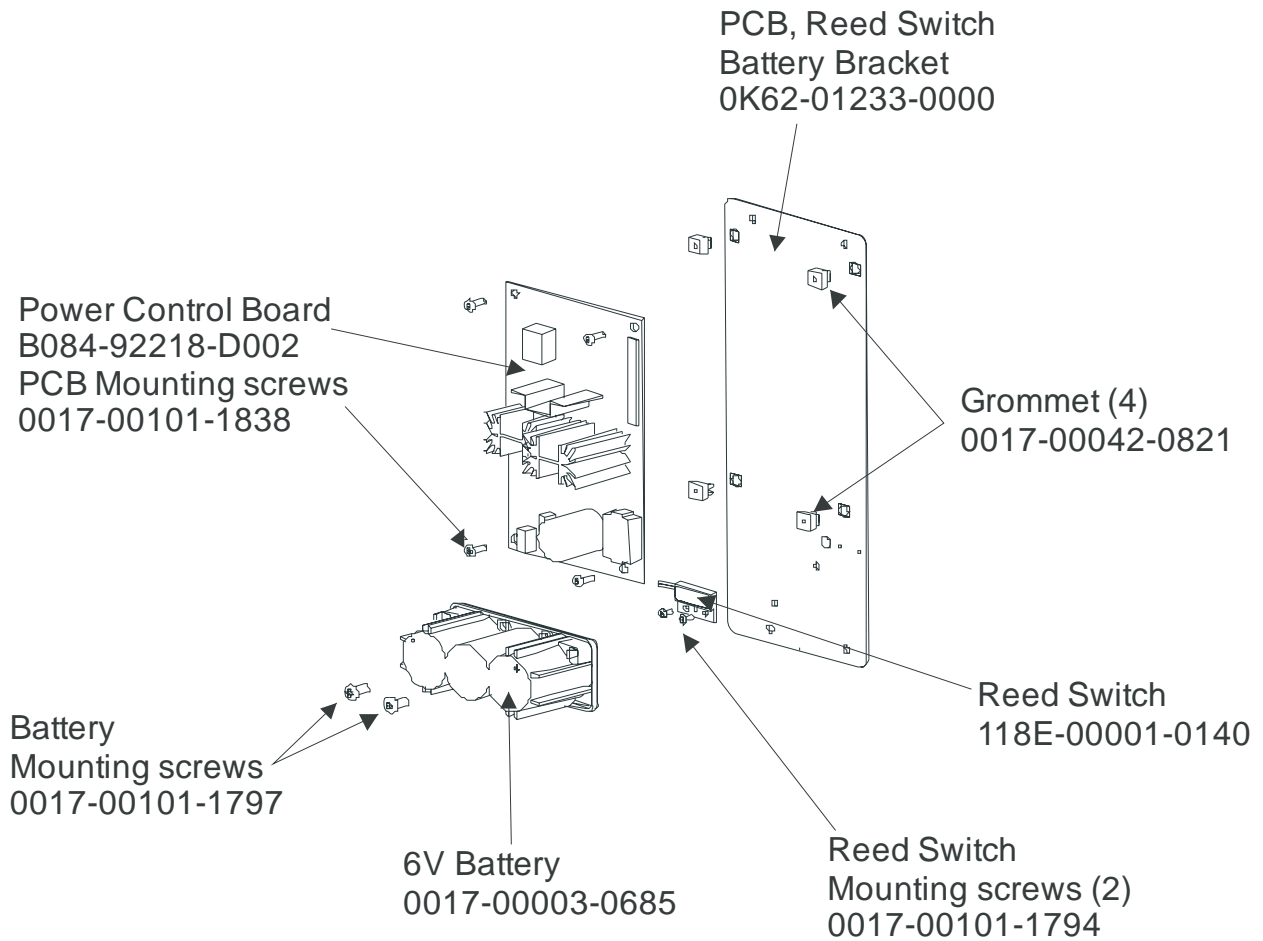








Note: If replacing the Tie Rod Assembly or Crank Extension for the first time, order kit GK62-00002-0015. Both sides must be replaced simultaneously in this situation.



this bearing insert assembly is used  
four times on this cross-trainer

Service Kit-  
MGK62-00002-0044  
Includes:

- 1- crankshaft
- 2- bearings
- 2- sets of bearing flanges
- 4- nuts and washers

Service Kit- GK62-00002-0045  
Includes:

- 1 - intermediate shaft
- 2 - bearings
- 2- sets of bearing flanges
- 4- nuts and washers

