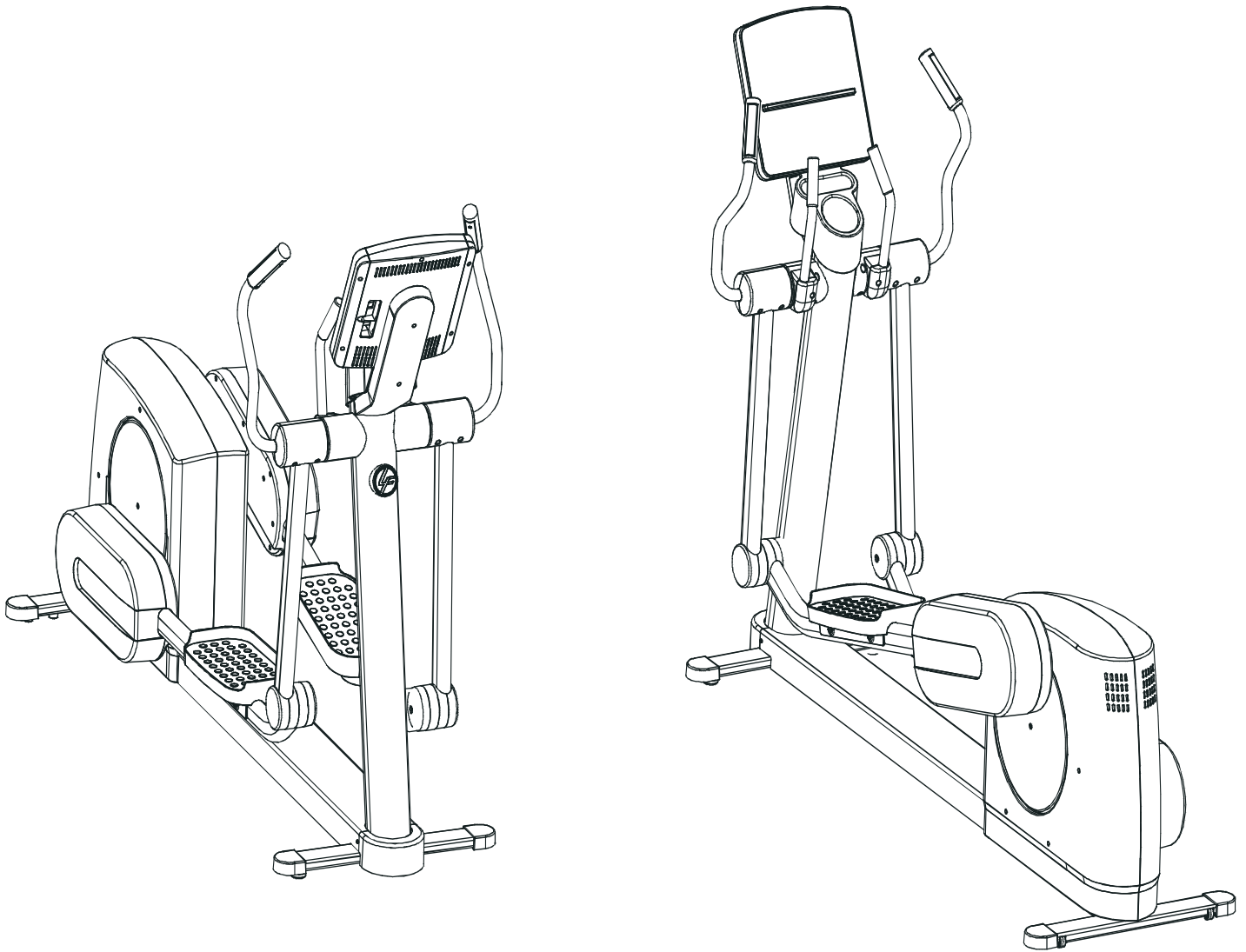


# LifeFitness

ARCTIC SILVER CROSS-TRAINER 93XW-0XXX-02



## Customer Support Services **PARTS MANUAL**

rev 21 Apr 2010

OPERATION MANUAL	M051-00K62-A111
SERVICE MANUAL	M051-00K62-A060
TOUCH UP PAINT: SPRAY CAN .5 OZ BOTTLE W/APPLICATOR .33 OZ PEN	0017-00008-0204 0017-00008-0205 0017-00008-0206
POWER CABLE W/BRACKET ASSY. ASSEMBLY CONSISTS OF: 1) COAX CABLE 2) POWER EXTENSION CABLE 3) ACCESS PANEL BRACKET 4) F TYPE CONNECTOR 5) PLASTIC GROMMET (QTY. 2)	AK62-00210-0000  AK32-00020-0002 AK32-00078-0001 0K62-01179-0001 0017-00021-2846 0017-00042-1147
HARDWARE BAG	AK62-00152-0001
PLUG IN OPTION 120/60	GK62-00002-0018
PLUG IN OPTION 240/50 UK	GK62-00002-0019
PLUG IN OPTION 240v AUS	GK62-00002-0020
PLUG IN OPTION 230/50 CONT	GK62-00002-0021

**NOTE: ADDING THE BOLT ON LCD SCREEN TO THE  
 93XW-0XXX-02 MAKES THE UNIT A 93XER-0XXX-02.**

	Page
CONSOLE SUPPORT & DEADSHAFT COVERS .....	4
HANDLEBARS AND BULLHORNS .....	5
CONSOLE AND RELATED COMPONENTS.....	6
UPPER FRAME HARDWARE .....	7
ROCKER ARMS AND PEDAL LEVERS .....	8
CRANK COVER AND LOWER CAPS .....	9
LOWER FRAME SHROUDS AND HARDWARE .....	10
PEDAL LEVER COMPONENTS .....	11
DRIVE MODULE COMPONENTS .....	12
DRIVE MODULE HARDWARE .....	13
CABLES.....	14

**Note: The 93X has Telemetry only.**

**ARCTIC SILVER 93XW**

**Console Support & Deadshaft Covers**

**93XW-0XXX-02**

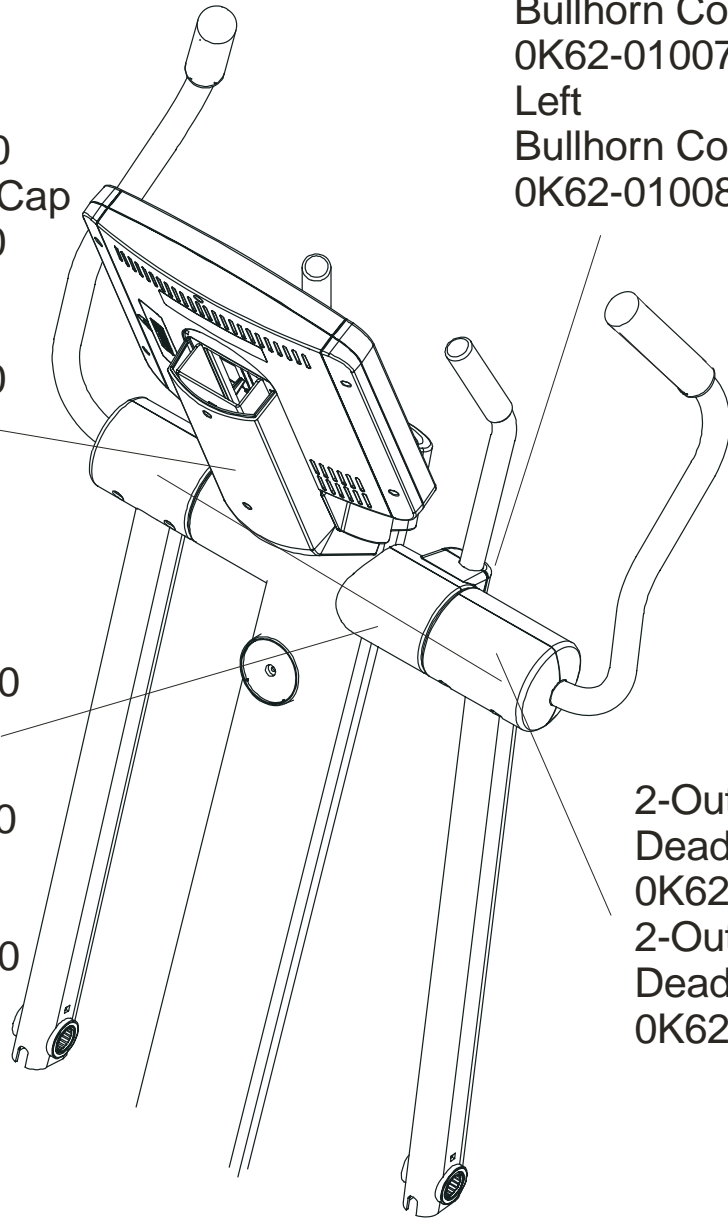
**S/N AWF100000 and up**

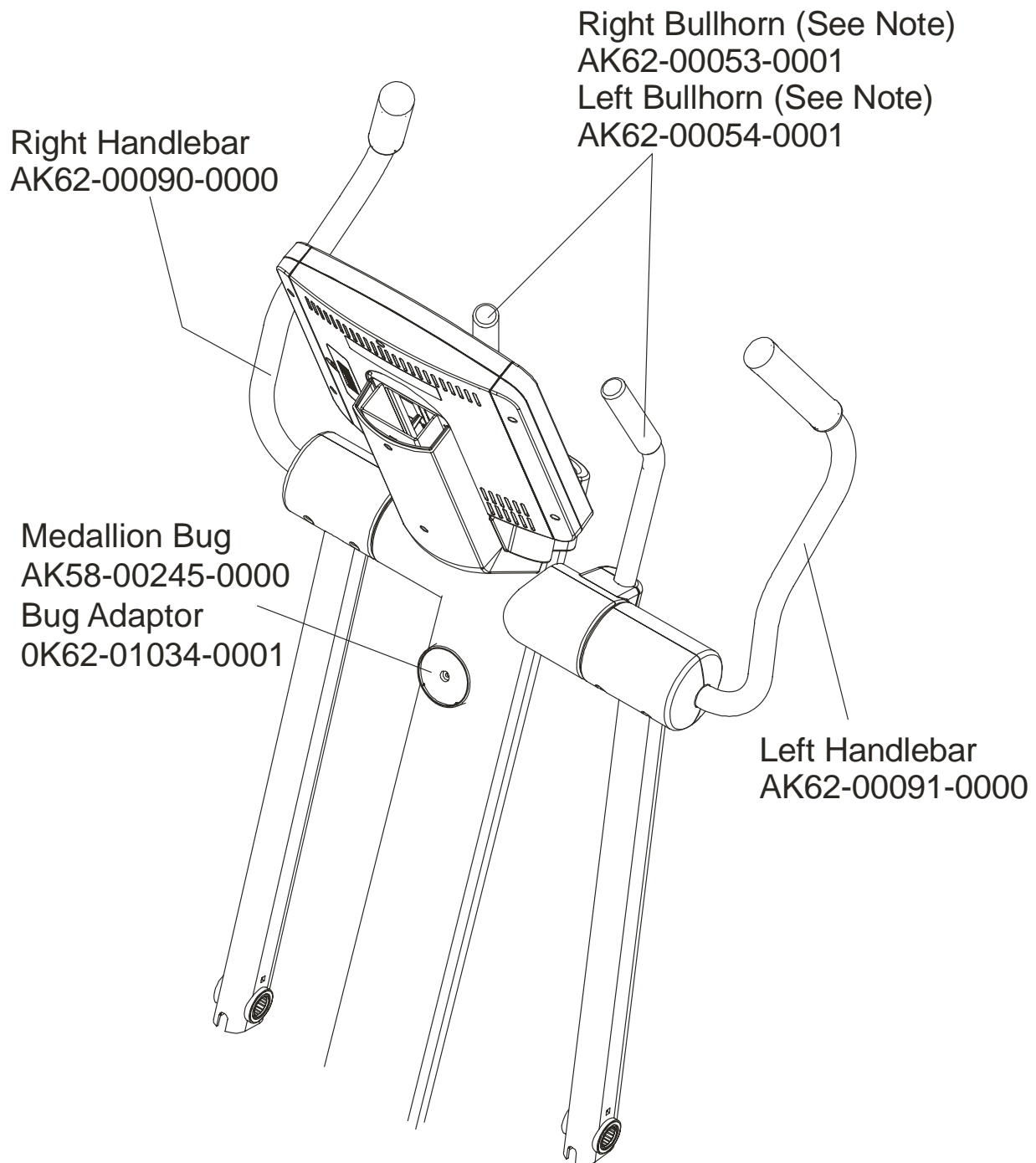
Console Support  
AK62-00123-0000  
Console Support Cap  
0K62-01030-0000  
Console Support  
Shroud  
0K62-01023-0000

Right  
Bullhorn Cover  
0K62-01007-0001  
Left  
Bullhorn Cover  
0K62-01008-0001

Right Inside  
Deadshaft Cover  
0K62-01010-0000  
Left Inside  
Deadshaft Cover  
0K62-01011-0000  
2-Front Inside  
Deadshaft Cover  
0K62-01009-0000

2-Outside Front  
Deadshaft Cover  
0K62-01013-0000  
2-Outside Rear  
Deadshaft Cover  
0K62-01012-0000



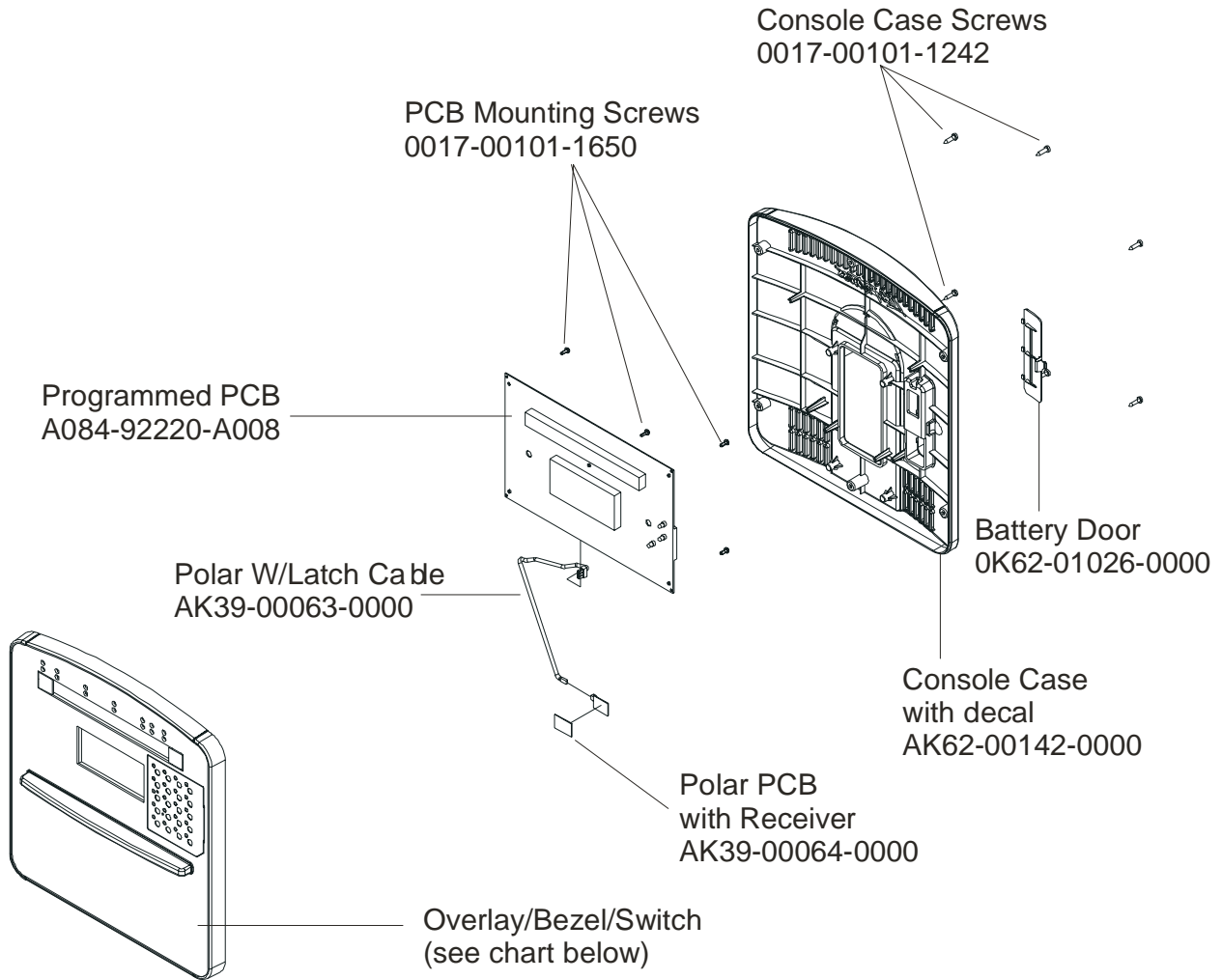


NOTE: The Right Bullhorn Assembly consists of: AK62-00057-0001 Bullhorn, 0K62-01136-0000 Grip, and 0K62-01199-0001 Gasket.

NOTE: The Left Bullhorn Assembly consists of: AK62-00058-0001 Bullhorn, 0K62-01136-0000 Grip and 0K62-01199-0001 Gasket

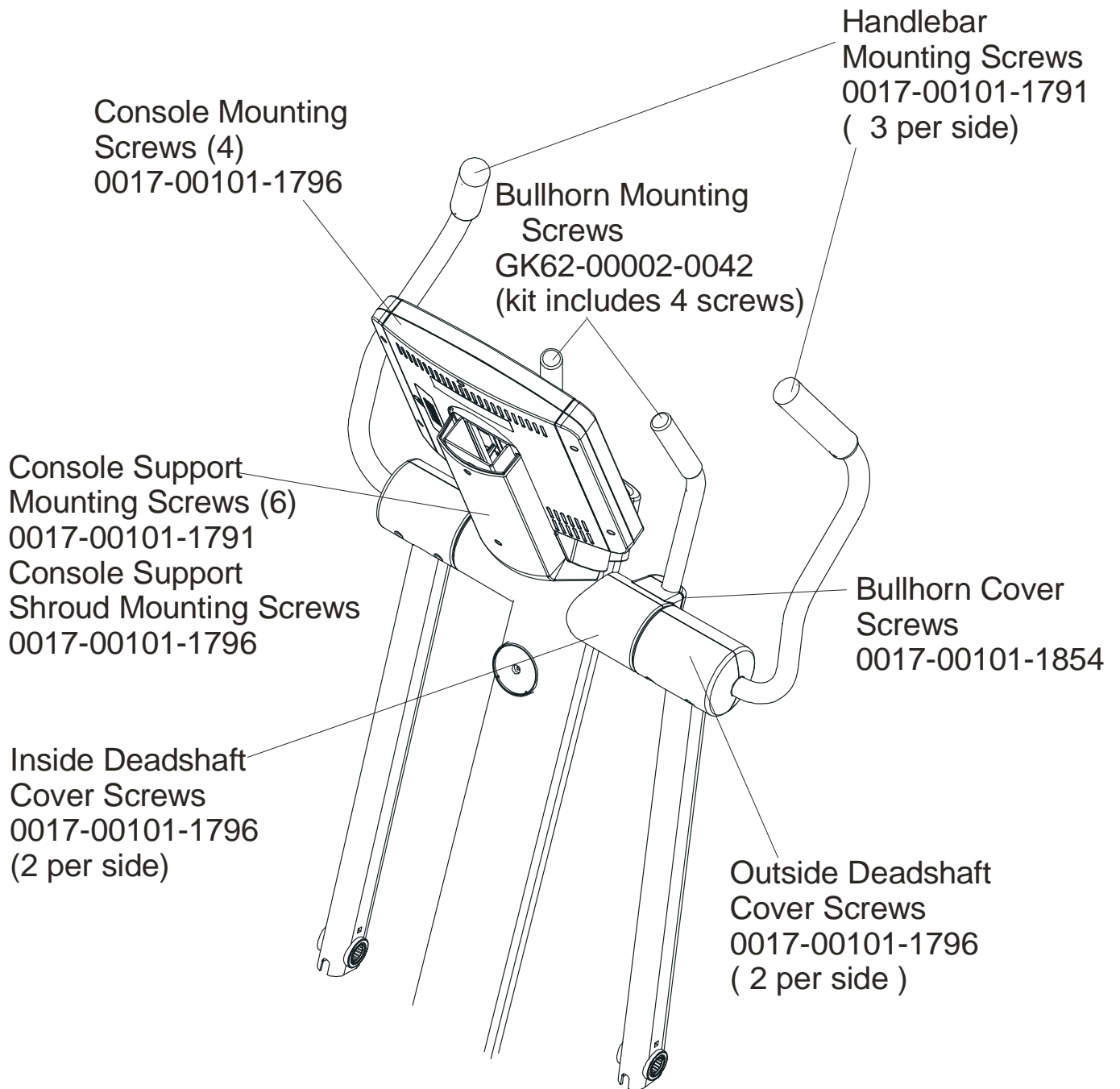
**ARCTIC SILVER 93XW**  
**Console & Related components**

**93XW-0XXX-02**  
**S/N AWF100000 and up**



CONSOLE	OVERLAY/BEZEL/SWITCH	LANGUAGE
AK62-00150-0001	AK62-00190-0001	Eng + Met
AK62-00150-0003	AK62-00190-0003	Ger/Met
AK62-00150-0004	AK62-00190-0004	Spn/Met
AK62-00150-0006	AK62-00190-0006	Jap/Met
AK62-00150-0007	AK62-00190-0007	Frn/Met
AK62-00150-0008	AK62-00190-0008	Ital/Met
AK62-00150-0009	AK62-00190-0009	Dut/Met
AK62-00150-0010	AK62-00190-0010	Port/Met

Items Not Shown	
Accessory Tray	0K62-01022-0000
Accessory Tray Mounting Screws (2)	0017-00101-1846

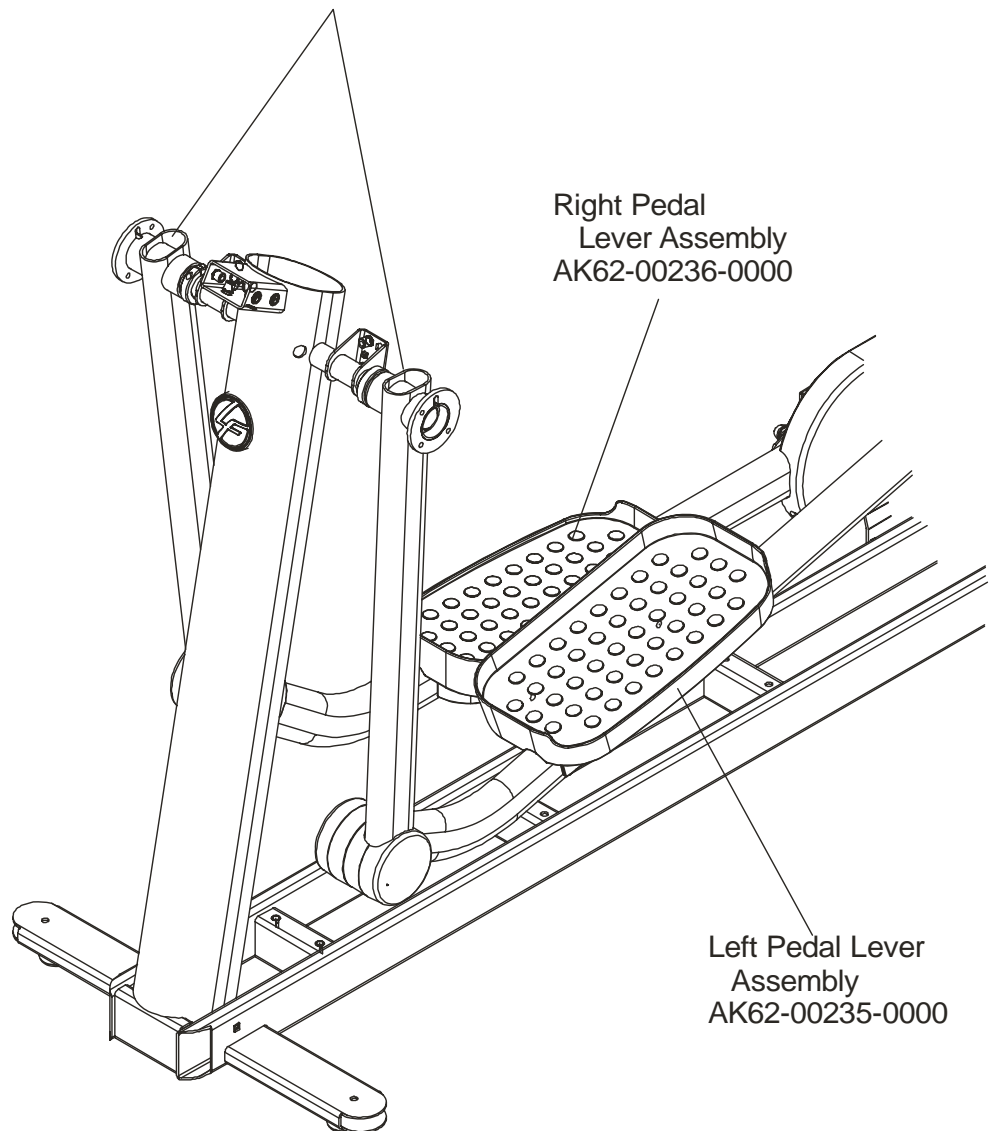


**ARCTIC SILVER 93XW**  
**Rocker Arms & Pedal Levers**

**93XW-0XXX-02**  
**S/N AWF100000 and up**

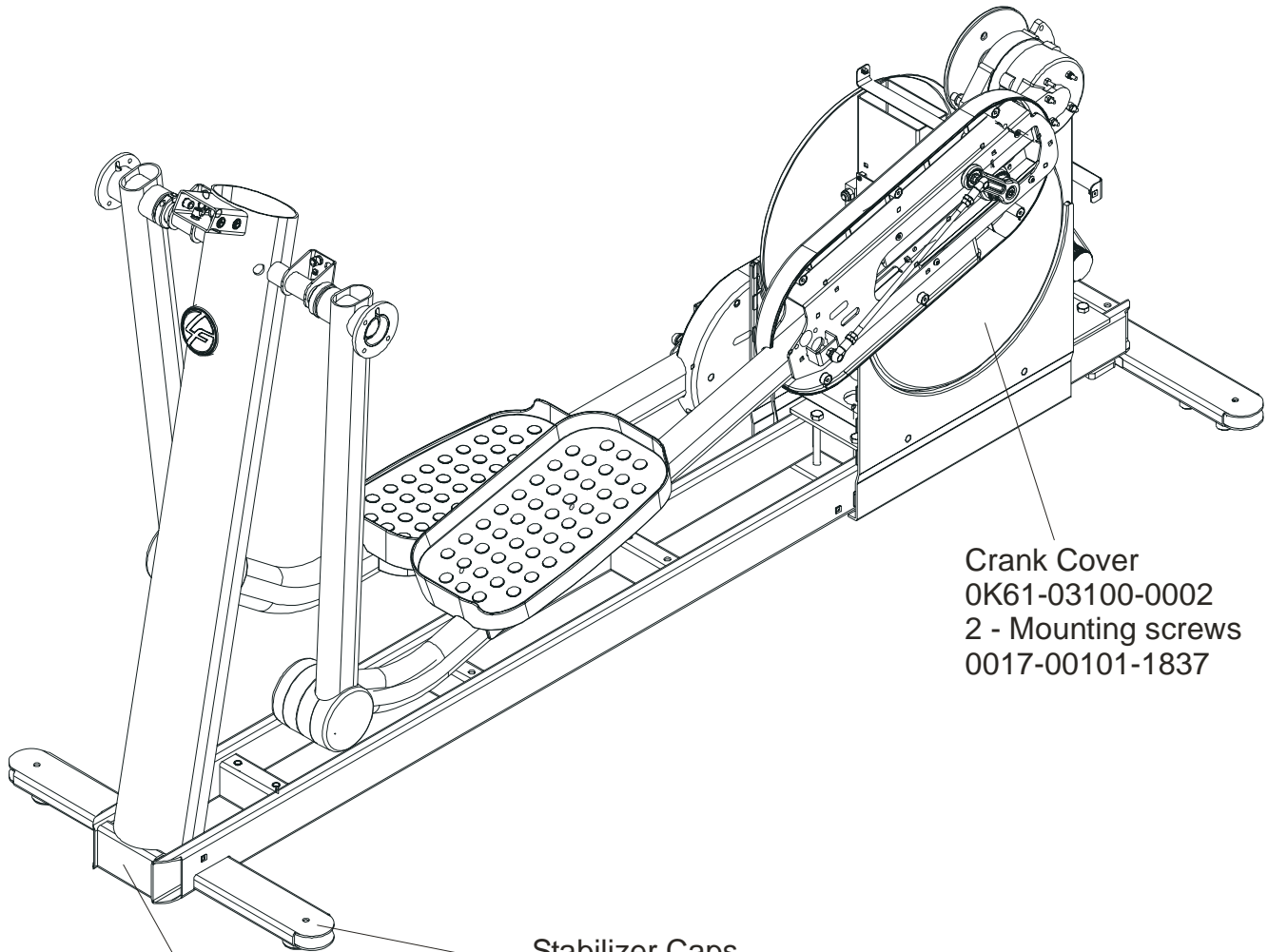
Rocker Arms Kit  
GK62-00002-0070  
(contains 2 rocker arms,  
part no. AK62-00383-0000)

Rocker Arms (2)  
AK62-00062-0001  
Shaft Collar w/Screws  
OK61-01259-0000  
Retaining Ring  
0017-00100-0178  
Metal Thrust Washer  
OK62-01307-0000  
Oilite Washer  
OK62-01305-0000



**ARCTIC SILVER 93XW**  
**Crank Cover and Lower Caps**

**93XW-0XXX-02**  
**S/N AWF100000 and up**



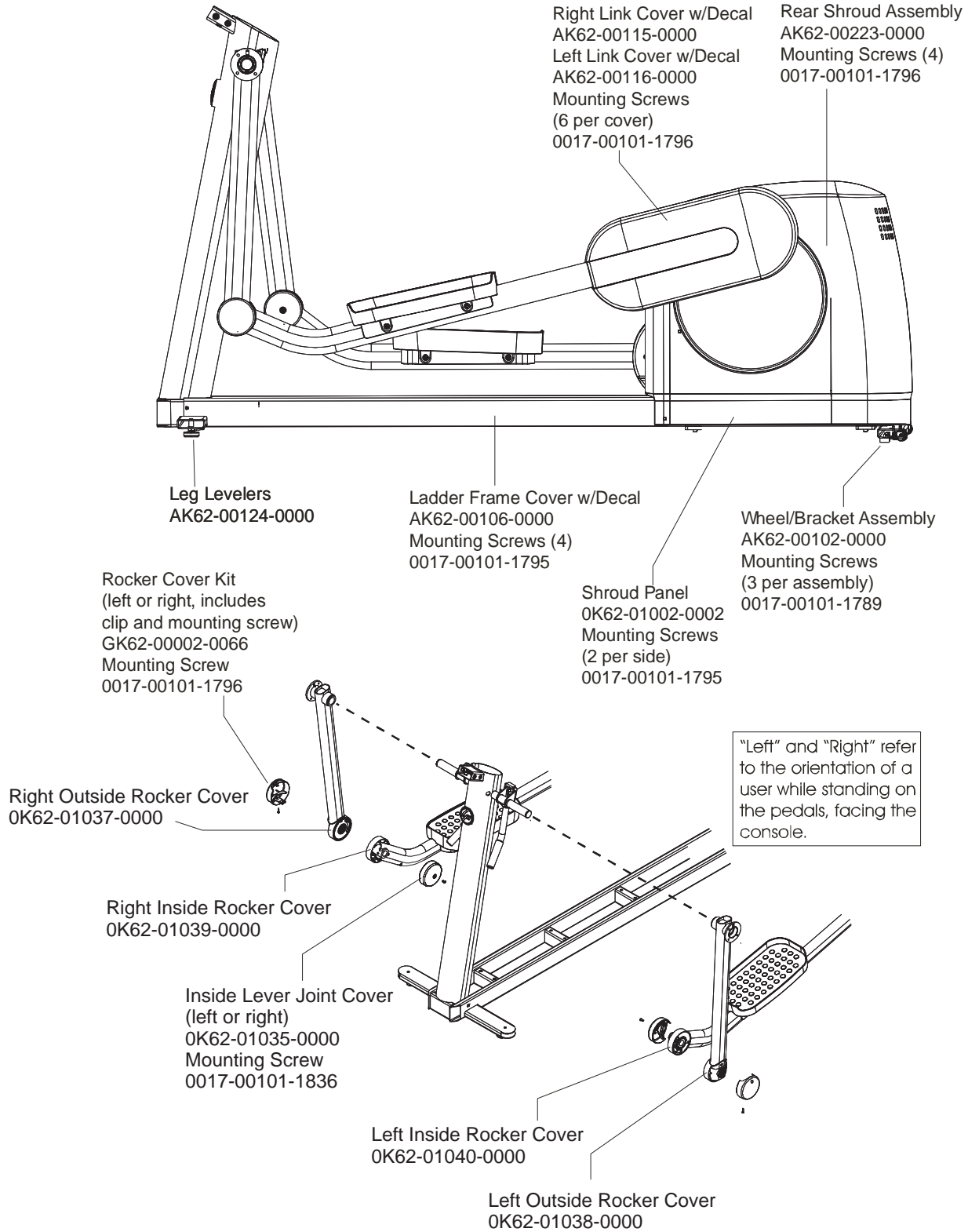
Crank Cover  
0K61-03100-0002  
2 - Mounting screws  
0017-00101-1837

Stabilizer Caps  
4 - 0K62-01003-0000

Front frame Cap  
0K62-01004-0000  
Mounting Screws  
(Located on front sides of Ladder Frame Cover)  
2- 0017-00101-1795

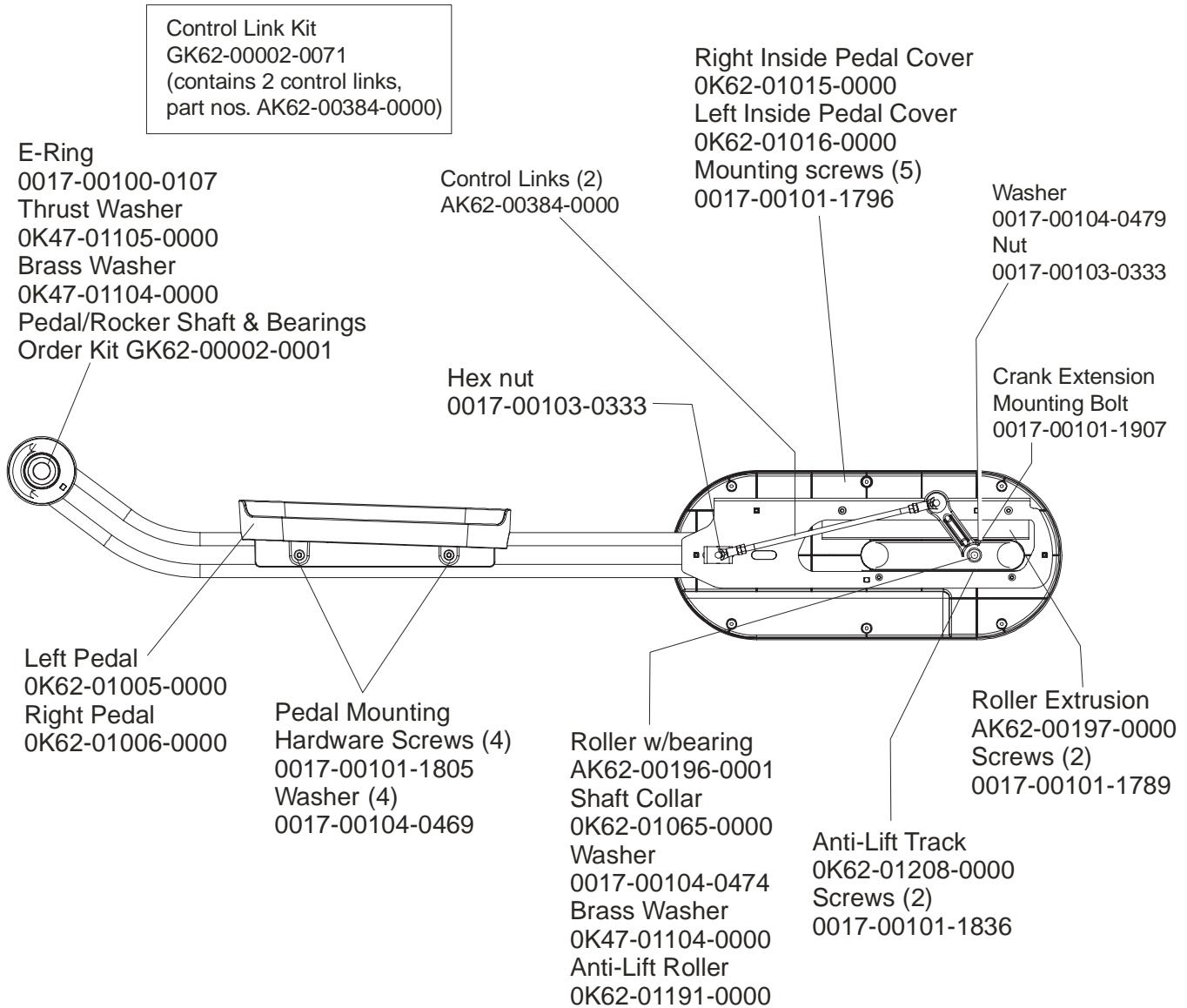
**ARCTIC SILVER 93XW**  
**Lower Frame Shrouds & Hardware**

**93XW-0XXX-02**  
**S/N AWF100000 and up**



**ARCTIC SILVER 93XW**  
**Pedal Lever Assembly Components**

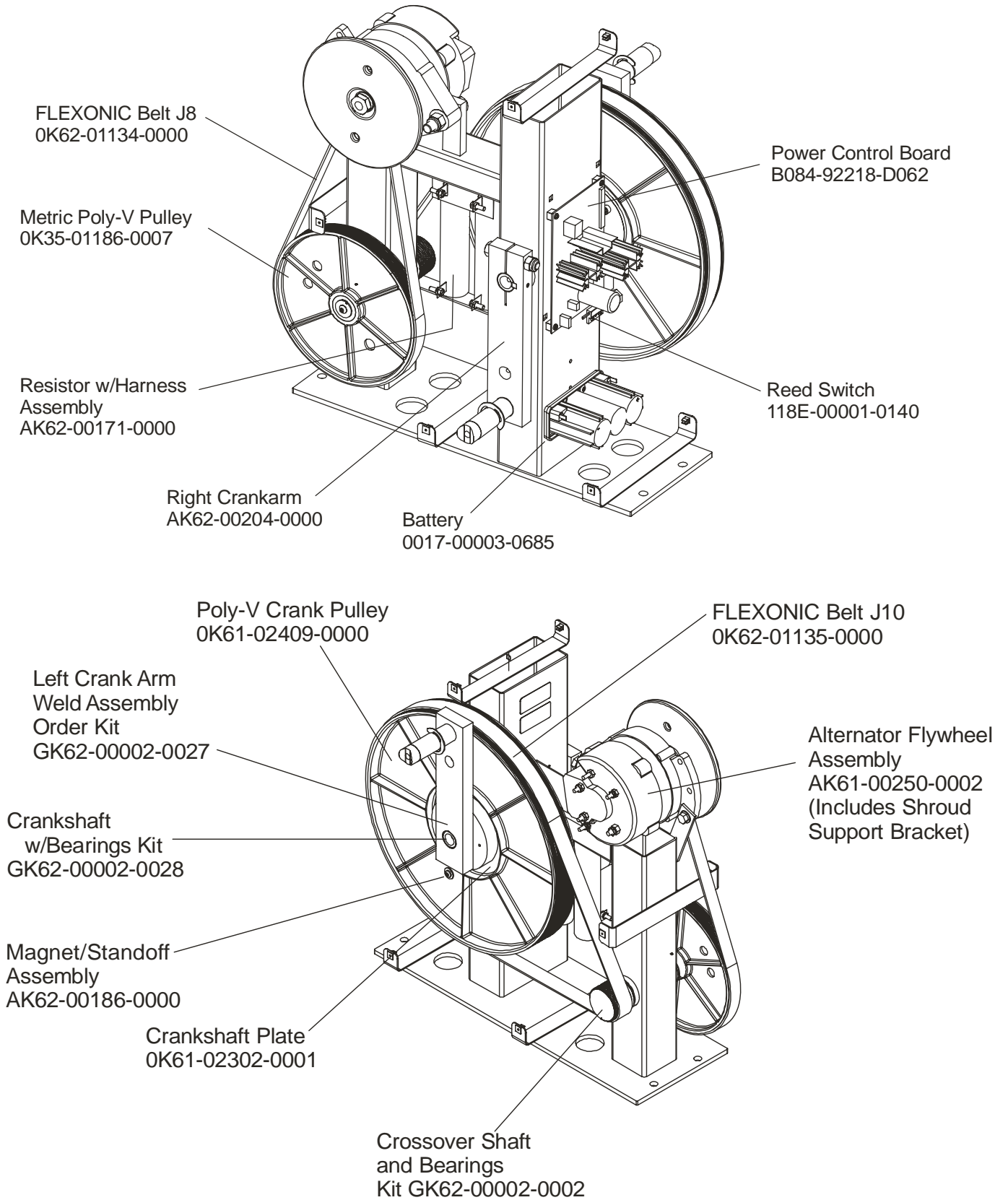
**93XW-0XXX-02**  
**S/N AWF100000 and up**



Note: If replacing the Tie Rod Assembly or Crank Extension for the first time, order kit GK62-00002-0015. Both sides must be replaced simultaneously in this situation.

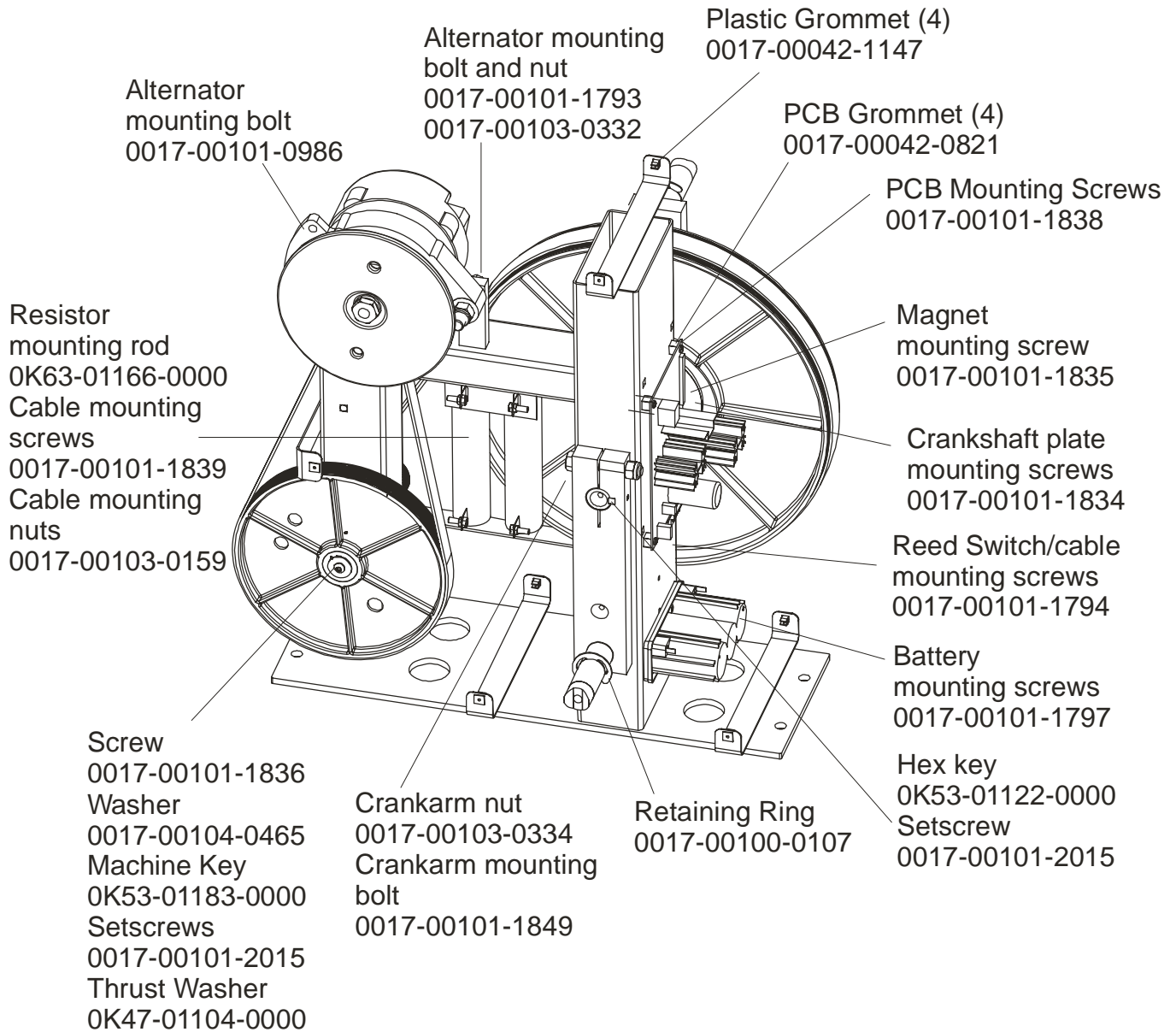
**ARCTIC SILVER 93XW**  
**Drive Module components & Cable**

**93XW-0XXX-02**  
**S/N AWF100000 and up**



**ARCTIC SILVER 93XW**  
**Drive Module Hardware**

**93XW-0XXX-02**  
**S/N AWF100000 and up**



# ARCTIC SILVER 93XW

## Cables

93XW-0XXX-02  
S/N AWF100000 and up

