

INTEGRITY CROSS-TRAINER (INXSX, INXDX, INXSC, CSXD, INXSE)

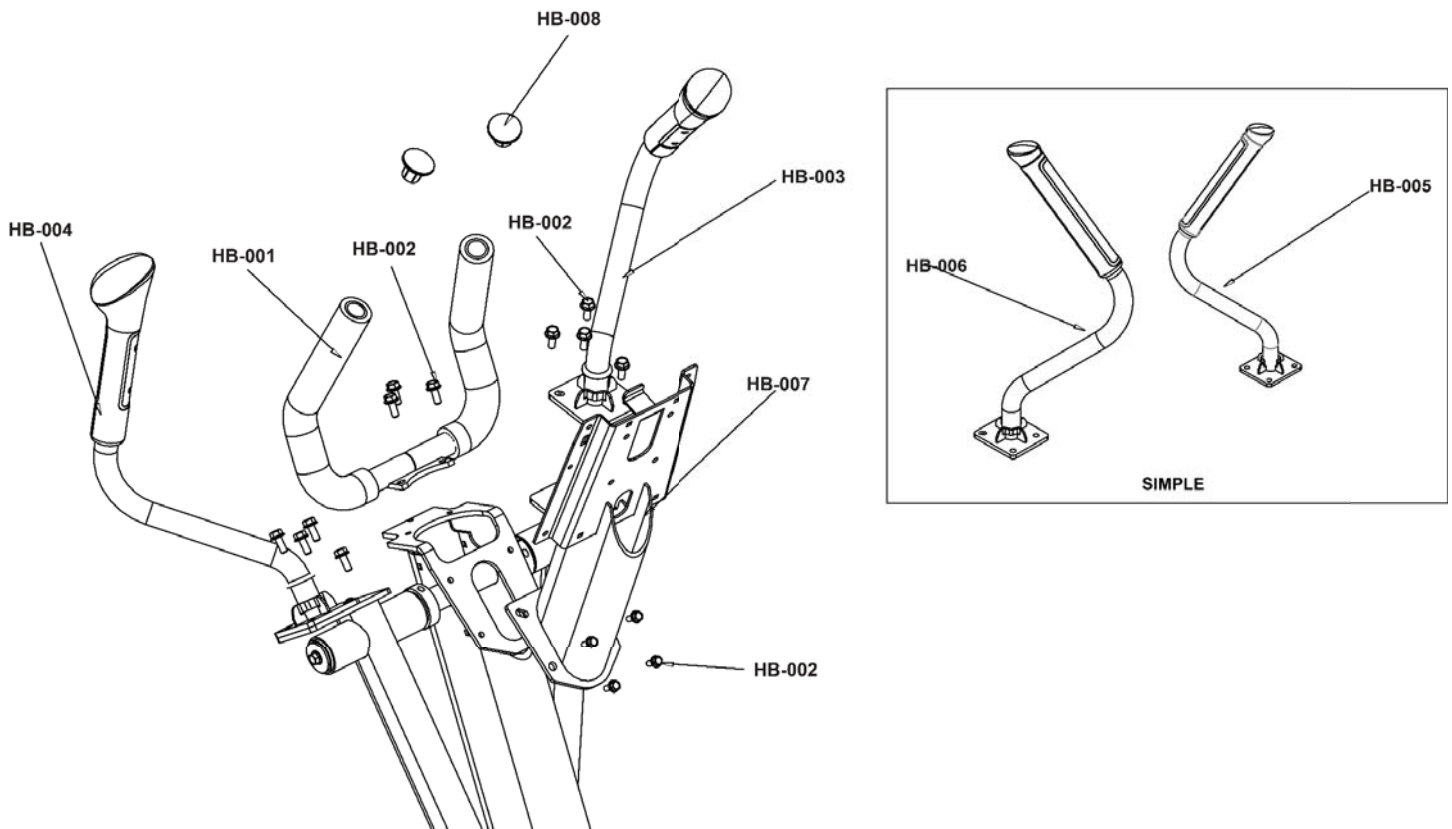
HXX, CHC, PDX, PHC



Table of Contents

Handlebars, Bullhorn & Console Mount	3
Upper Shrouds & Cup Holder	4
Clevis Covers	5
Leg Levelers, Battery & PCB Assembly	6
Crank Arm	7
Rocker Arms	8
Deadshaft Covers & Console Back	9
Link Shrouds	10
Timing Link	11
Brake, Pulley & Idler	12
Roller	13
Pedal Levers	14
Pedals & Miscellaneous	15
Plugs	16
Rear Shrouds	17
Wiring Diagram - Base	18
Wiring Diagram - Integrity X & C Consoles	20
Wiring Diagram - Discover Console	21

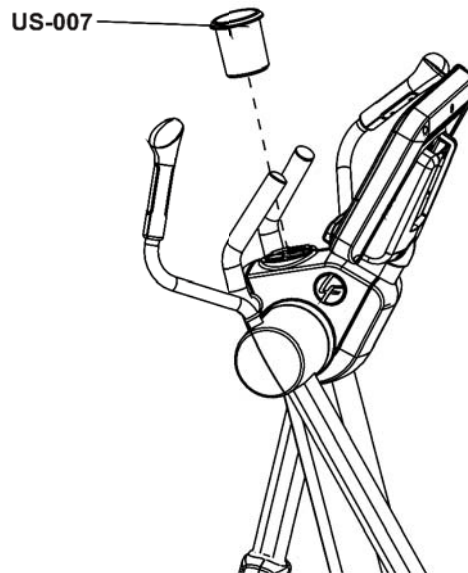
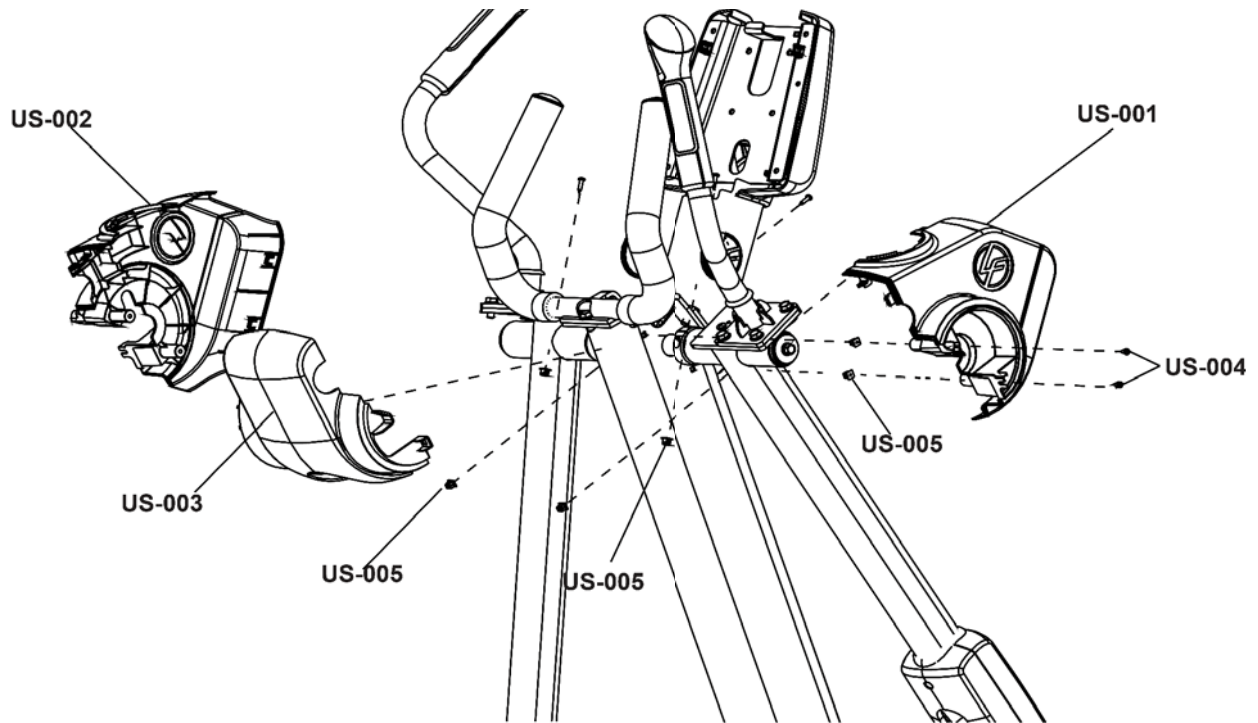
Handlebars, Bullhorn & Console Mount



Parts List

Item	Alpha Code	Part Number	Description (Quantity)
HB-001	HXX, CHC, PDX, PHC	1001059-0700	WELDMENT: BULLHORN, BLACK
HB-002	HXX, CHC, PDX, PHC	0017-00101-2150	M4.2X0.7-6g6gX 19 DIN PHL PAN (15)
HB-003	HXX, CHC	1003361-7401	ASSEMBLY: HANDLEBAR; FEATURED; LEFT; CHARCOAL GREY ROBUST
HB-004	HXX, CHC	1003362-7401	ASSEMBLY: HANDLEBAR; FEATURED; RIGHT; CHARCOAL GREY ROBUST
HB-005	HXX, PDX, PHC	1003359-7401	ASSEMBLY: HANDLEBAR; SIMPLE; LEFT; CHARCOAL GREY ROBUST
HB-006	HXX, PDX, PHC	1003360-7401	ASSEMBLY: HANDLEBAR; SIMPLE; RIGHT; CHARCOAL GREY ROBUST
HB-007	HXX	1001029-5100	WELDMENT: CONSOLE MOUNT, ARCTIC SILVER ROBUST
	HXX	1001029-7100	WELDMENT: CONSOLE MOUNT, DIAMOND WHITE ROBUST
	HXX, CHC	1001029-7200	WELDMENT: CONSOLE MOUNT, TITANIUM ROBUST
	HXX	1001029-7300	WELDMENT: CONSOLE MOUNT, BLACK ONYX ROBUST
	PHC, PDX	1001029-5800	WELDMENT: CONSOLE MOUNT, PURPLE ROBUST
HB-008	HXX, CHC, PDX, PHC	0K63-01114-XXXX	ENDCAP: HANDLEBAR (2)

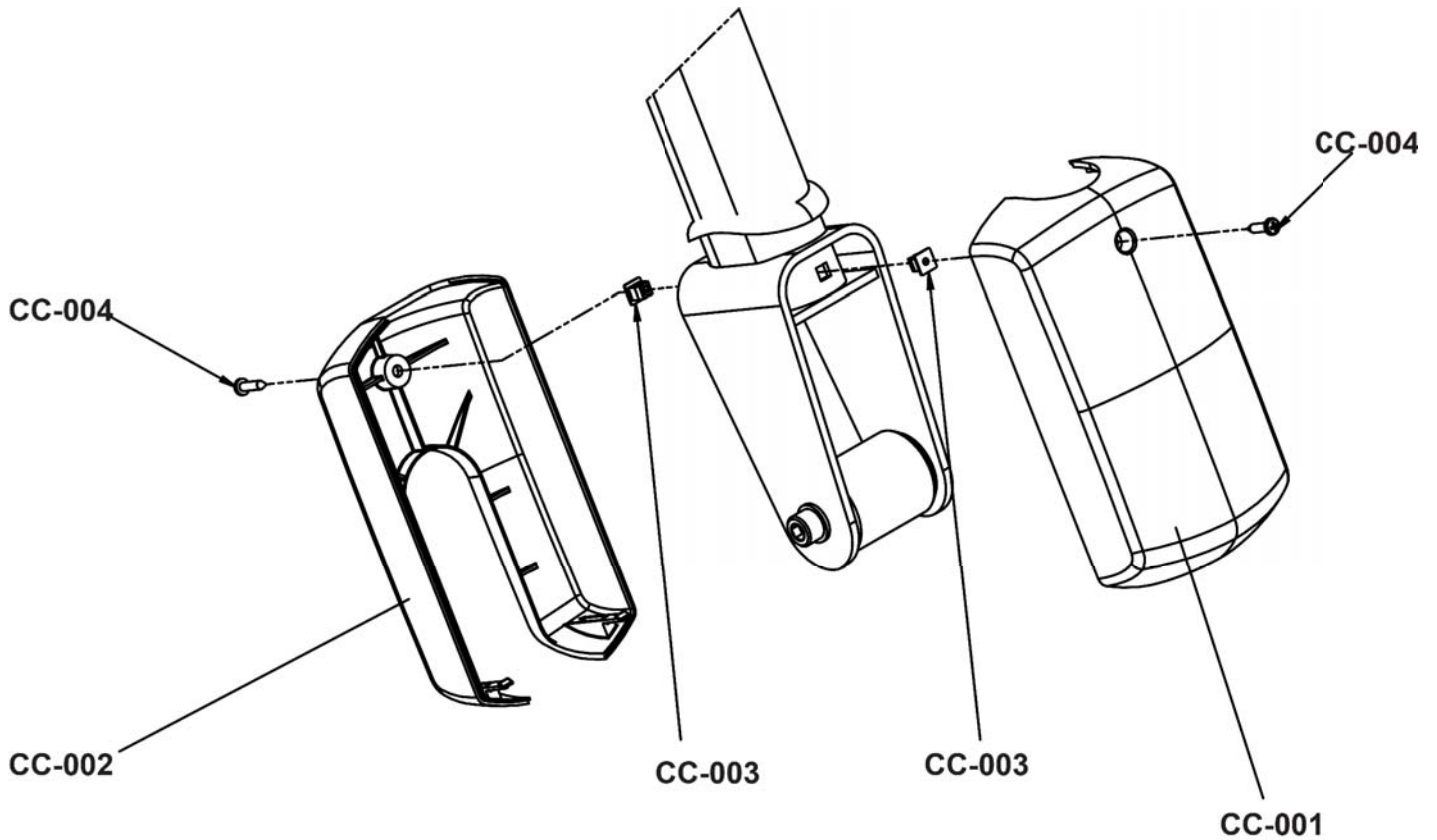
Upper Shrouds & Cup Holder



Parts List

Item	Alpha Code	Part Number	Description (Quantity)
US-001	HXX, CHC, PDX, PHC	1002575-2400	SHROUD: UPPER, RIGHT, CHARCOAL GREY
US-002	HXX, CHC, PDX, PHC	1002576-2400	SHROUD: UPPER, LEFT, CHARCOAL GREY
US-003	HXX, CHC, PDX, PHC	1002577-2400	SHROUD: UPPER, MIDDLE, CHARCOAL GREY
US-004	HXX, CHC, PDX, PHC	0017-00101-1846	M4.2X0.70-6g6gX 10 DIN PHL PAN (4)
US-005	HXX, CHC, PDX, PHC	0017-00042-1147	GROMMET: NYLON; SCREW (12)
US-006	HXX, CHC, PDX, PHC	0017-00101-1796	M4.2X0.7-6g6gX 19 DIN PHL PAN (8)
US-007	HXX, CHC, PDX, PHC	1001034-2400	CUPHOLDER: LOCKING, CHARCOAL GREY

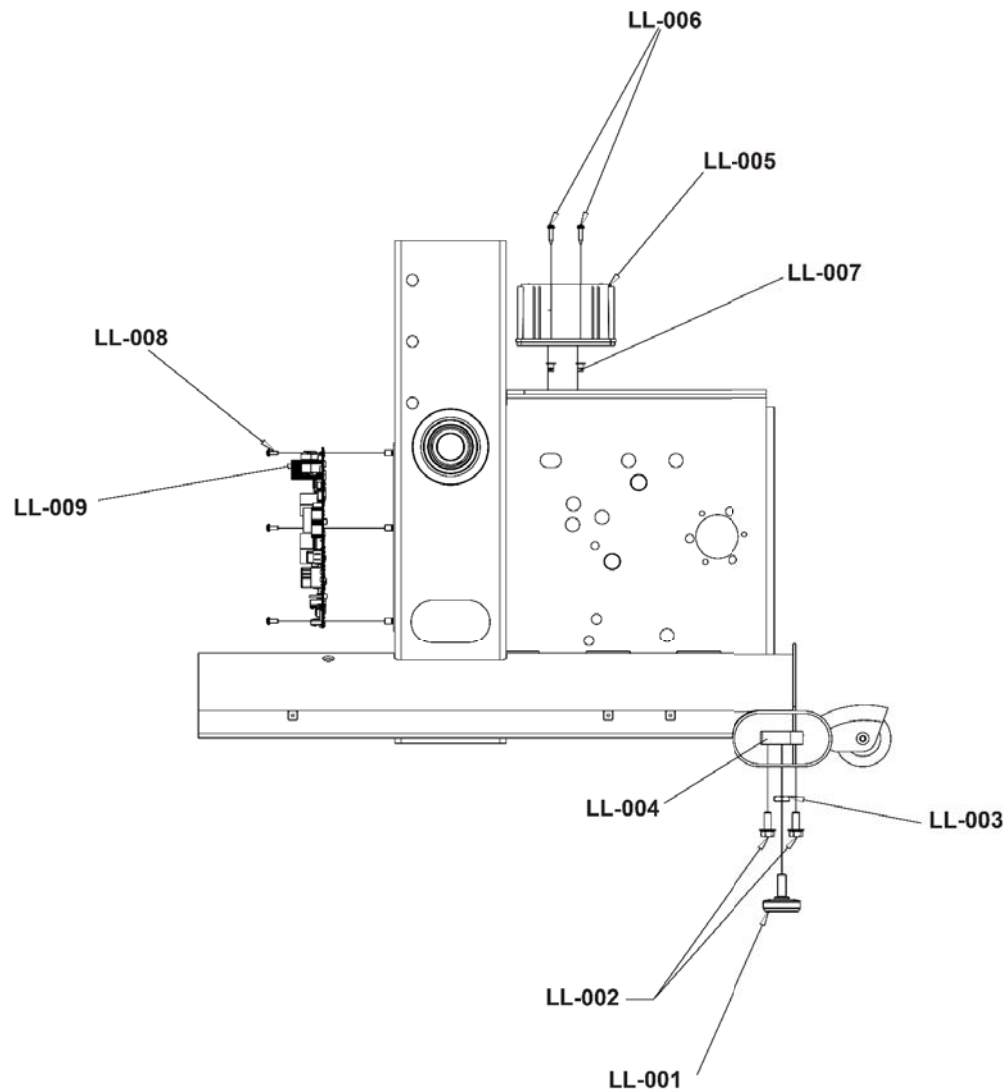
Clevis Covers



Parts List

Item	Alpha Code	Part Number	Description (Quantity)
CC-001	HXX, CHC, PDX, PHC	1002594-2400	SHROUD: CLEVIS, FRONT, CHARCOAL GREY (2)
CC-002	HXX, CHC, PDX, PHC	1002595-2400	SHROUD: CLEVIS, BACK, CHARCOAL GREY (2)
CC-003	HXX, CHC, PDX, PHC	0017-00042-1147	GROMMET: NYLON; SCREW (4)
CC-004	HXX, CHC, PDX, PHC	0017-00101-1796	M4.2X0.7-6g6gX 19 DIN PHL PAN (4)

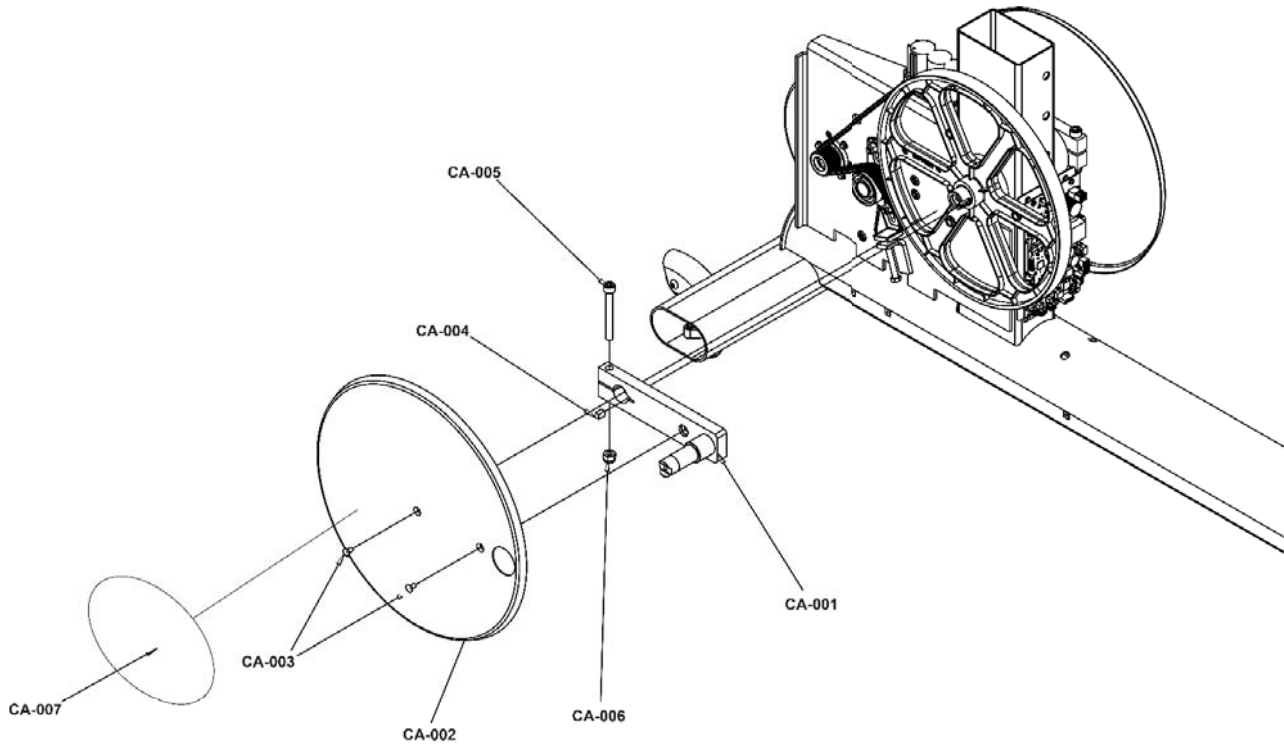
Leg Levelers, Battery & PCB Assembly



Parts List

Item	Alpha Code	Part Number	Description (Quantity)
LL-001	HXX, CHC, PDX, PHC	0K62-01178-0000	LEVELER: LEG; M10 X 1.50 (4)
LL-002	HXX, CHC, PDX, PHC	0017-00101-2150	M8 X 1.25 x 6G6G X 20 FLANGE HEAD CAP SCREW (8)
LL-003	HXX, CHC, PDX, PHC	0017-00103-0330	NUT M 10X1.50-6h6h DIN D JAM (4)
LL-004	HXX, CHC, PDX, PHC	1001040-0001	BLOCK: LEVELER (4)
LL-005	HXX, CHC, PDX, PHC	0017-00003-0685	BATTERY: 6V; 2.5AH
LL-006	HXX, CHC, PDX, PHC	0017-00101-1796	M4.2X0.7-6g6gX 19 DIN PHL PAN (2)
LL-007	HXX, CHC, PDX, PHC	0017-00042-1147	GROMMET: NYLON; SCREW (2)
LL-008	HXX, CHC, PDX, PHC	0017-00101-1989	M4 6G6G X 10 DIN PHL PAN (5)
LL-009	HXX, CHC, PDX, PHC	1003117-0011	ASSEMBLY: PCB; RESISTANCE CONTROL

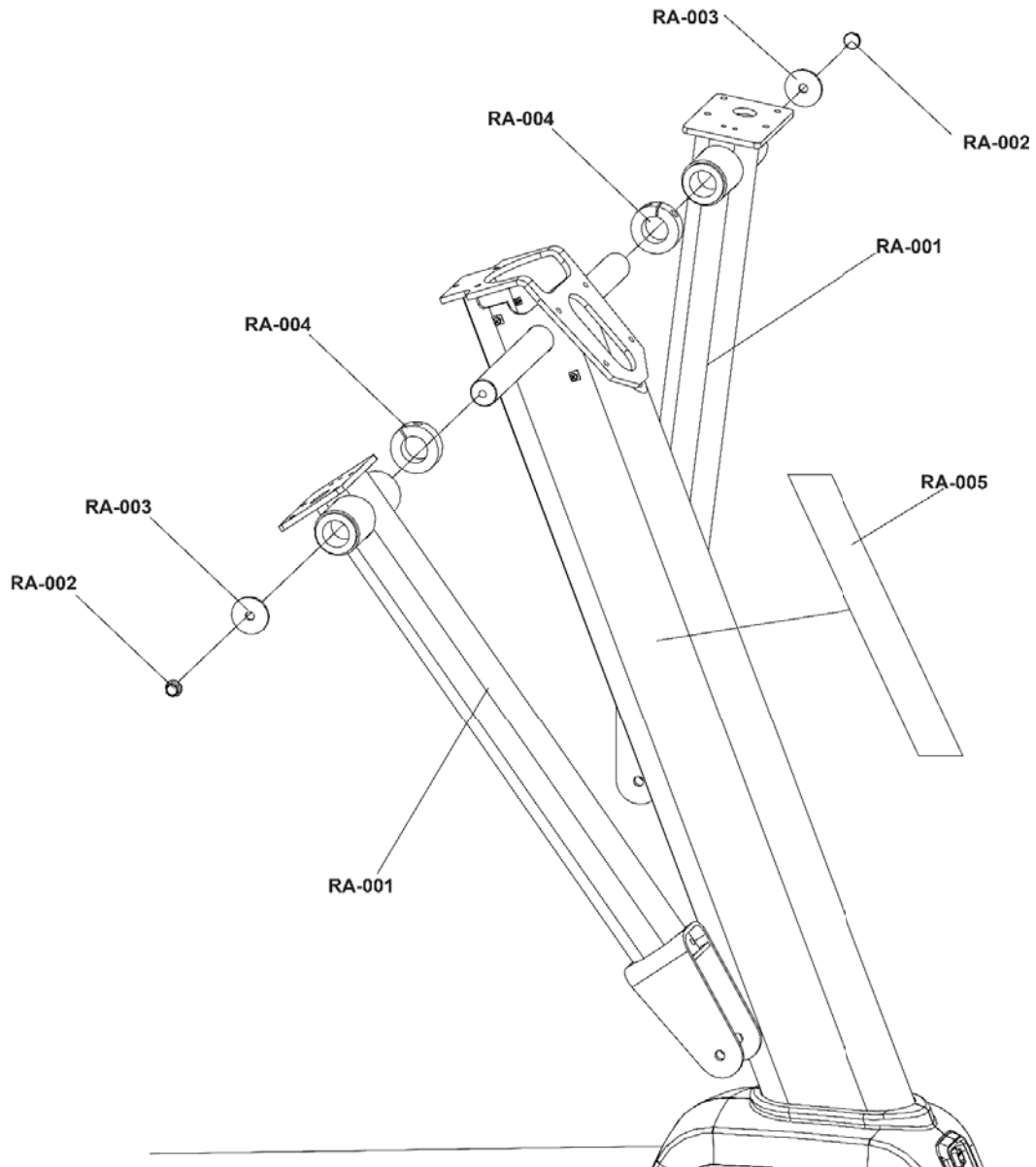
Crank Arm



Parts List

Item	Alpha Code	Part Number	Description (Quantity)
CA-001	HXX, CHC, PDX, PHC	1001018-0001	WELDMENT: CRANK ARM (2)
CA-002	HXX	1001020-5100	COVER: CRANK ARM, ARCTIC SILVER ROBUST (2)
	HXX	1001020-7100	COVER: CRANK ARM, DIAMOND WHITE ROBUST (2)
	HXX, CHC	1001020-7200	COVER: CRANK ARM, TITANIUM ROBUST (2)
	HXX	1001020-7300	COVER: CRANK ARM, BLACK ONYX ROBUST (2)
	HXX, PDX, PHC	1001020-7400	COVER: CRANK ARM, CHARCOAL GREY ROBUST (2)
CA-003	HXX, CHC, PDX, PHC	0017-00101-1988	M6X1 - 6G6GX14 DIN SOC FLT CS ST ZS (4)
CA-004	HXX, CHC, PDX, PHC	1002599-0001	KEY: 7 X 8 (2)
CA-005	HXX, CHC, PDX, PHC	1000721-0001	SCREW: M10X1.5X85 SHCS (2)
CA-006	HXX, CHC, PDX, PHC	0017-00103-0334	NUT M 10X1.50-6H6H DIN L LOCKNUT (2)
CA-007	PDX, PHC	1006633-0001	LABEL: PF; CROSS-TRAINER, PIZZA PAN

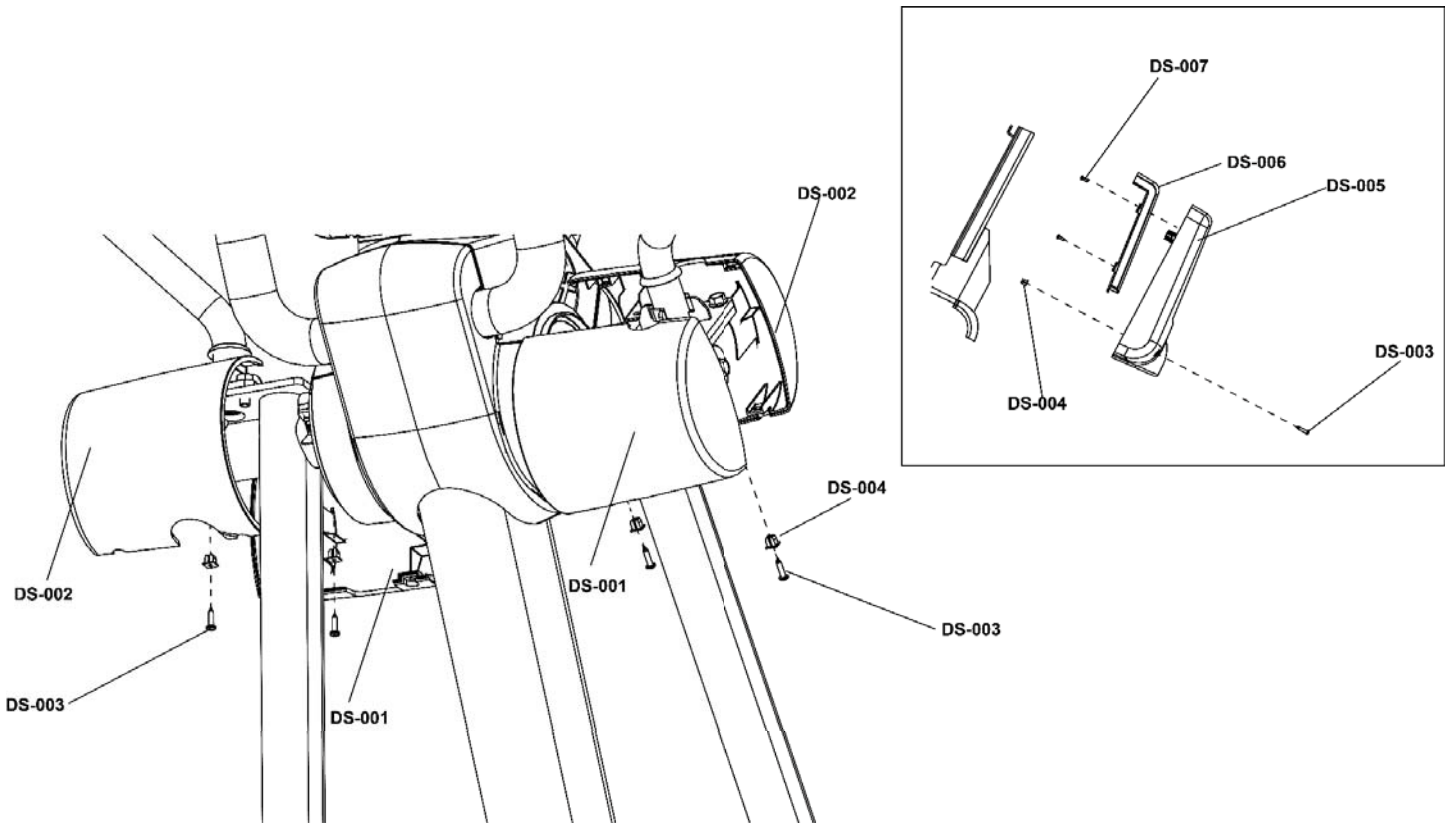
Rocker Arms



Parts List

Item	Alpha Code	Part Number	Description (Quantity)
RA-001	HXX, CHC	1001048-7400	ASSEMBLY: ROCKER ARM; CHARCOAL GREY ROBUST (2)
	PDX, PHC	1001048-5800	ASSEMBLY: ROCKER ARM; PURPLE ROBUST (2)
RA-002	HXX, CHC, PDX, PHC	0017-00101-2150	M8 X 1.25 x 6G6G X 20 FLANGE HEAD CAP SCREW (2)
RA-003	HXX, CHC, PDX, PHC	0017-00104-0454	WSH 390-1.62-120 FL-D ST ZN B (2)
RA-004	HXX, CHC, PDX, PHC	0K69-01018-0000	SHAFT: COLLAR (2)
RA-005	PDX, PHC	1007087-0001	DECAL: JFZ TAGLINE, LARGE SIZE

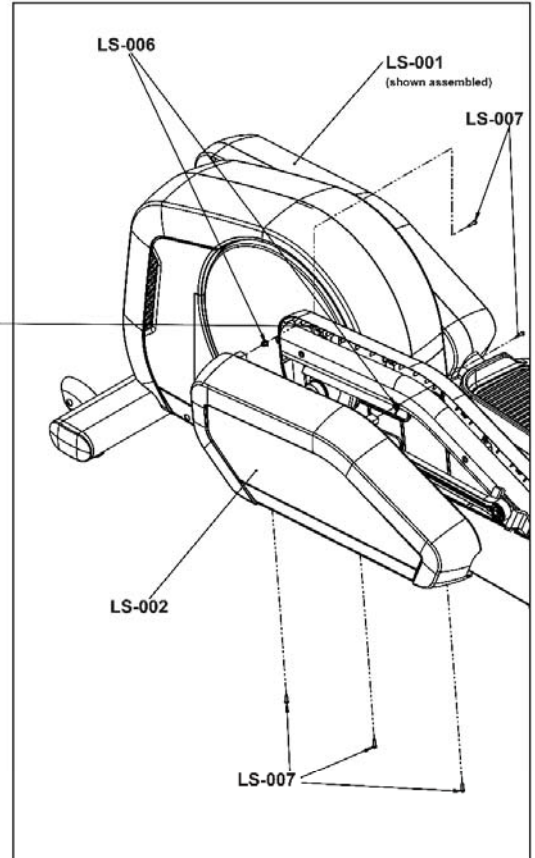
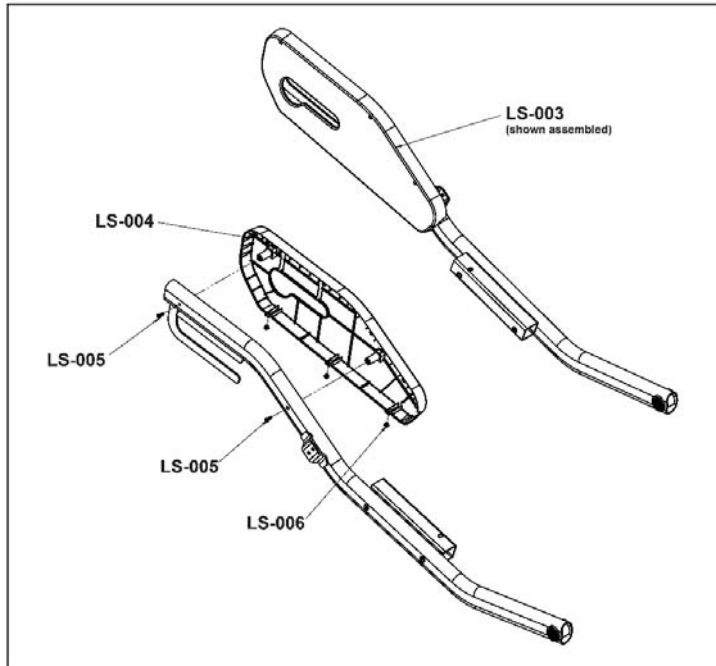
Deadshaft Covers & Console Back



Parts List

Item	Alpha Code	Part Number	Description (Quantity)
DS-001	HXX, CHC, PDX, PHC	1002573-2400	SHROUD: DEADSHAFT, A, CHARCOAL GREY (2)
DS-002	HXX, CHC, PDX, PHC	1002574-2400	SHROUD: DEADSHAFT, B, CHARCOAL GREY (2)
DS-003	HXX, CHC, PDX, PHC	0017-00101-1796	M4.2X0.7-6g6gX 19 DIN PHL PAN (6)
DS-004	HXX, CHC, PDX, PHC	0017-00042-1147	GROMMET: NYLON; SCREW (6)
DS-005	HXX, CHC, PDX, PHC	1002578-2400	SHROUD: CONSOLE, BACK, CHARCOAL GREY
DS-006	HXX, CHC, PDX, PHC	1001609-2400	SHROUD: REAR, FILLER, CHARCOAL GREY
DS-007	HXX, CHC, PDX, PHC	0017-00101-1650	SCREW: VMI 6-19X 6 PHL PAN PLT ST BZ B (4)

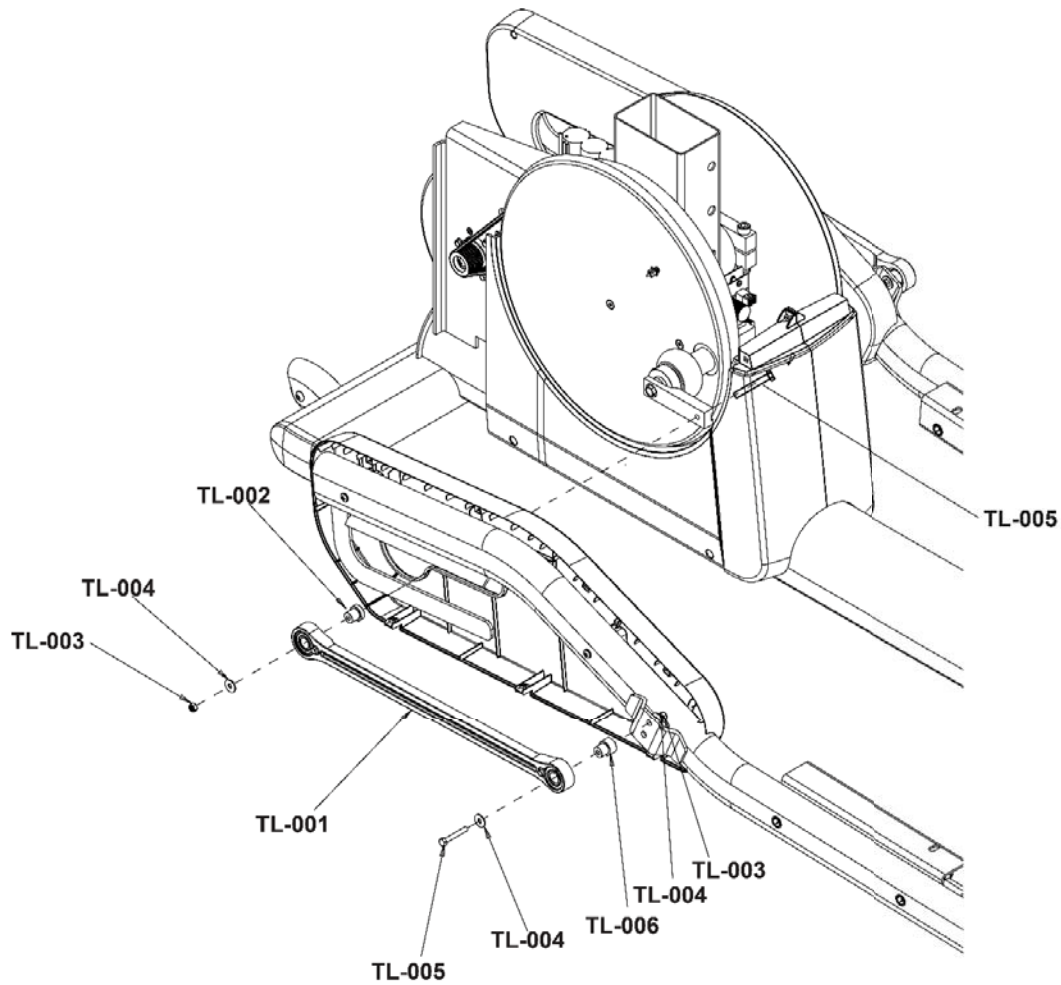
Link Shrouds



Parts List

Item	Alpha Code	Part Number	Description (Quantity)
LS-001	HXX, CHC, PDX, PHC	1002593-2400	SHROUD: LINK, OUTER, LEFT, CHARCOAL GREY
LS-002	HXX, CHC, PDX, PHC	1002592-2400	SHROUD: LINK, OUTER, RIGHT, CHARCOAL GREY
LS-003	HXX, CHC, PDX, PHC	1002589-2400	SHROUD: LINK, INNER, LEFT, CHARCOAL GREY
LS-004	HXX, CHC, PDX, PHC	1002588-2400	SHROUD: LINK, INNER, RIGHT, CHARCOAL GREY
LS-005	HXX, CHC, PDX, PHC	0017-00101-2138	M6x1.0x16 DIN PHL PAN MS ST ZB (4)
LS-006	HXX, CHC, PDX, PHC	0017-00042-1147	GROMMET: NYLON; SCREW (6)
LS-007	HXX, CHC, PDX, PHC	0017-00101-1796	M4.2X0.7-6g6gX 19 DIN PHL PAN (6)

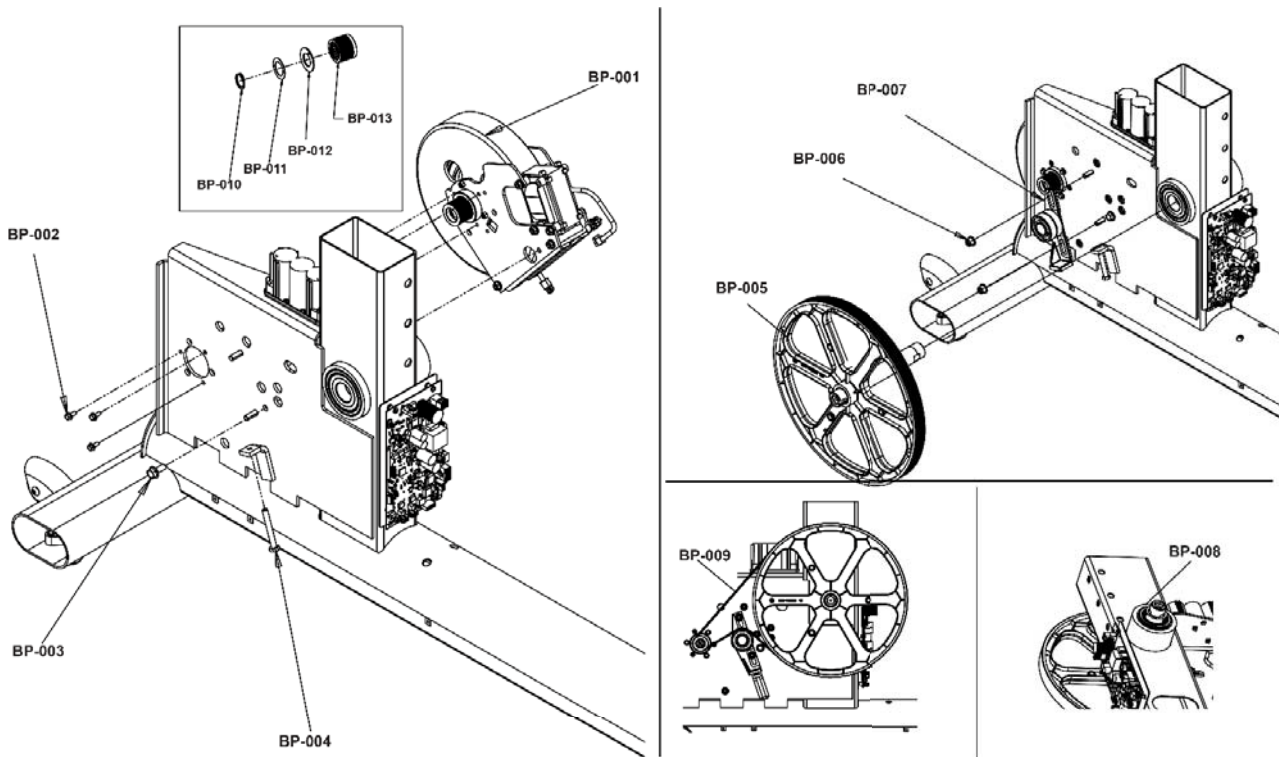
Timing Link



Parts List

Item	Alpha Code	Part Number	Description (Quantity)
TL-001	HXX, CHC, PDX, PHC	1003902-0001	ASSEMBLY: TIE ROD W/SELF-ALIGN BRG (2)
TL-002	HXX, CHC, PDX, PHC	1003903-0001	BUSHING: BEARING, TIMING LINK (2)
TL-003	HXX, CHC, PDX, PHC	0017-00103-0378	NUT: M6X1-6H6H DIN L LOCKNUT ST ZN (4)
TL-004	HXX, CHC, PDX, PHC	0017-00104-0468	WSH:M6.40X 18.00X1.60 DIN D FLAT (6)
TL-005	HXX, CHC, PDX, PHC	0017-00101-2064	SCREW:M6, 1.0, 40MM, HSX, CAP, STEEL, Zinc (4)
TL-006	HXX, CHC, PDX, PHC	1004789-0001	BUSHING: BEARING, TIMING LINK (2)

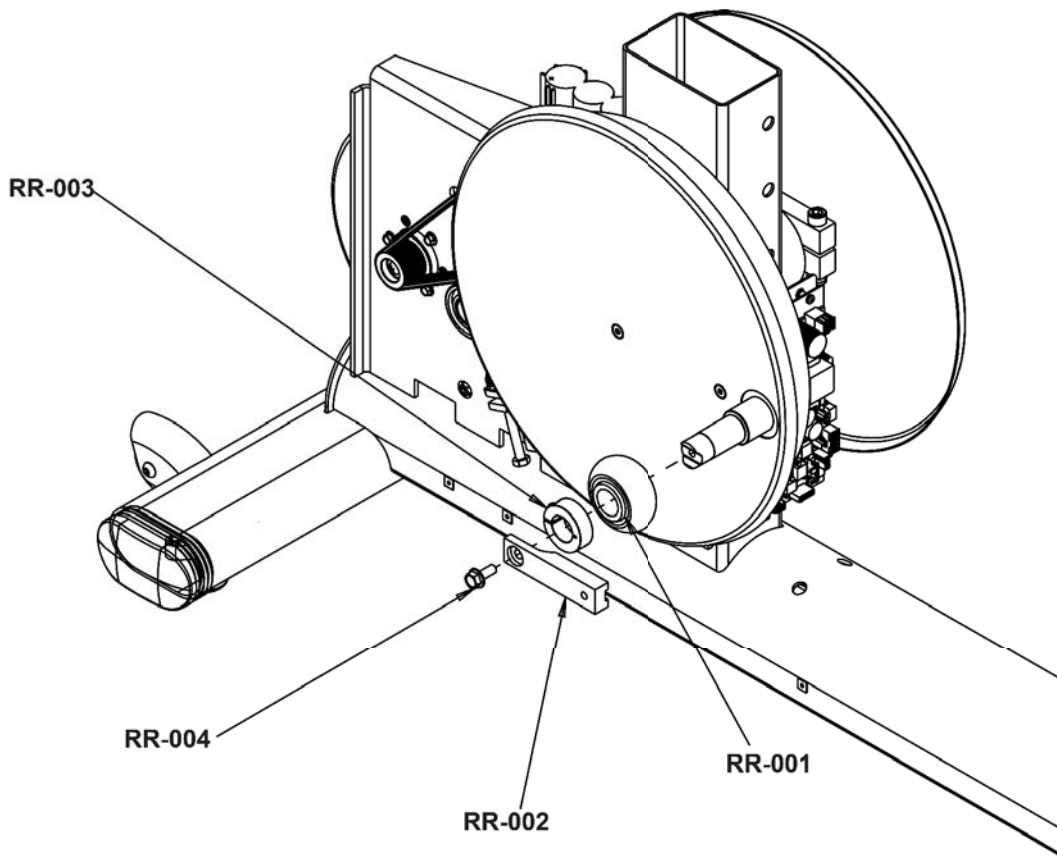
Brake, Pulley & Idler



Parts List

Item	Alpha Code	Part Number	Description (Quantity)
BP-001	HXX, CHC, PDX, PHC	1003401-0001	GEN/BRAKE: W/O CLUTCH; 10 RIB PULLEY
BP-002	HXX, CHC, PDX, PHC	0017-00101-2151	M5 X 1.25 X 6G6G X 12 FLANGE HEAD CAP SCREW (3)
BP-003	HXX, CHC, PDX, PHC	0017-00101-2150	M8 X 1.25 x 6G6G X 20 FLANGE HEAD CAP SCREW
BP-004	HXX, CHC, PDX, PHC	0017-00101-2002	M8 x 1.25-6G6G x 60 DIN UNS HEX CS G5 CD
BP-005	HXX, CHC, PDX, PHC	1002566-0000	PULLEY: OVERMOLD
BP-006	HXX, CHC, PDX, PHC	1003388-0001	NUT: M8x1.25-6H DIN UNF HEX LOCKNUT (2)
BP-007	HXX, CHC, PDX, PHC	1001619-0001	ASSEMBLY: IDLER
BP-008	HXX, CHC, PDX, PHC	1001022-0001	BEARING: BALL; INSERT; 62 X 30
BP-009	HXX, CHC, PDX, PHC	1002564-0001	BELT: POLY-V, 550 J10
BP-010	HXX, CHC, PDX, PHC	0017-00100-0257	RNG: EXT.: DSH-18; STL, BP (METRIC)
BP-011	HXX, CHC, PDX, PHC	0017-00104-0498	WSH .750-1.125 .025 FL-D SS
BP-012	HXX, CHC, PDX, PHC	0K66-01237-0000	WASHER: THRUST; OUTER, PUR
BP-013	HXX, CHC, PDX, PHC	AK66-00165-0000	CLUTCH & PULLEY ASSY: UNIPLATE; ISO/DIN

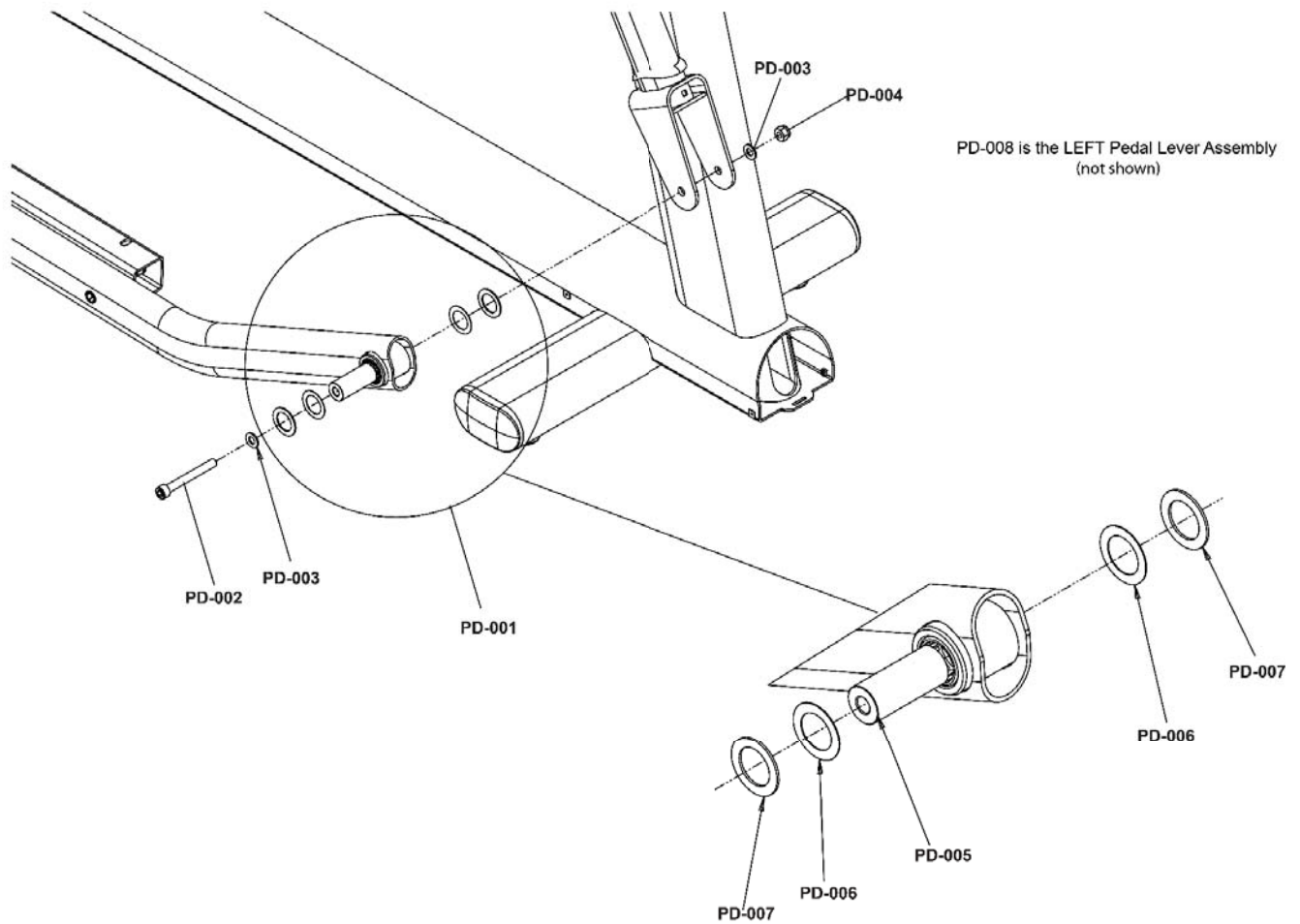
Roller



Parts List

Item	Alpha Code	Part Number	Description (Quantity)
RR-001	HXX, CHC, PDX, PHC	AK61-00063-0000	ROLLER W/SLEEVE ASSY: MFG. B (2)
RR-002	HXX, CHC, PDX, PHC	1001015-0001	BAR: EXTENSION ARM (2)
RR-003	HXX, CHC, PDX, PHC	1001037-0001	SHAFT: COLLAR (2)
RR-004	HXX, CHC, PDX, PHC	0017-00101-2150	M8 X 1.25 x 6G6G X 20 FLANGE HEAD CAP SCREW (2)

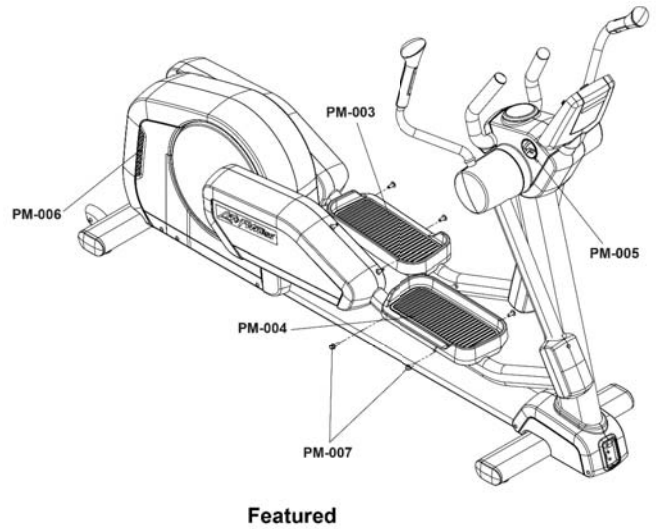
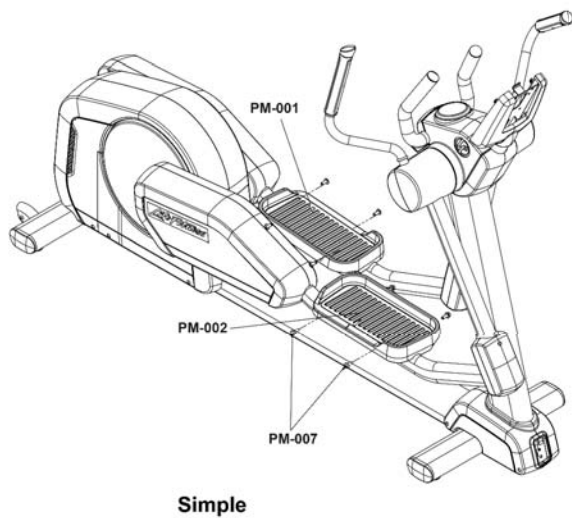
Pedal Levers



Parts List

Item	Alpha Code	Part Number	Description (Quantity)
PD-001	HXX, CHC	1001097-7400	ASSEMBLY: PEDAL LEVER, RIGHT; W/HARDWARE; CHARCOAL GREY ROBUST
	PDX, PHC	1001097-5800	ASSEMBLY: PEDAL LEVER, RIGHT; W/HARDWARE; PURPLE ROBUST
PD-002	HXX, CHC, PDX, PHC	1000721-0001	SCREW: M10X1.5X85 SHCS (2)
PD-003	HXX, CHC, PDX, PHC	0017-00104-0470	WSH:M 10.50X 20.00X 2.00 DIN D FLAT (4)
PD-004	HXX, CHC, PDX, PHC	0017-00103-0334	NUT M 10X1.50-6H6H DIN L LOCKNUT ST ZB B (2)
PD-005	HXX, CHC, PDX, PHC	0K69-01075-0000	SHAFT: ROCKER; FRONT; PURCH (2)
PD-006	HXX, CHC, PDX, PHC	0K69-01190-0000	WASHER: THRUST; STEEL (4)
PD-007	HXX, CHC, PDX, PHC	0K47-01104-0000	WASHER: SPECIAL; THRUST (4)
PD-008	HXX, CHC	1001096-7400	ASSEMBLY: PEDAL LEVER, LEFT; W/HARDWARE; CHARCOAL GREY ROBUST (not shown)
	PDX, PHC	1001096-5800	ASSEMBLY: PEDAL LEVER, LEFT; W/HARDWARE; PURPLE ROBUST

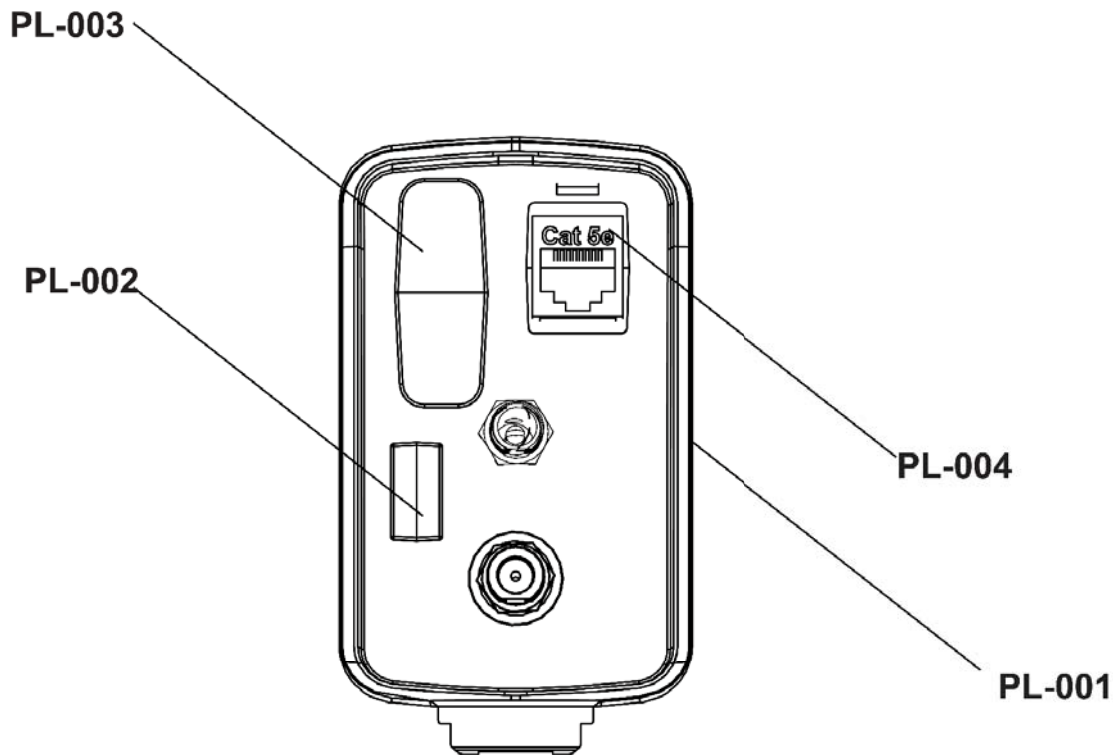
Pedals & Miscellaneous



Parts List

Item	Alpha Code	Part Number	Description (Quantity)
PM-001	HXX, CHC, PDX, PHC	1008296-0001	PEDAL ASSEMBLY WITH LABEL: LEFT
PM-002	HXX, CHC, PDX, PHC	1008297-0001	PEDAL ASSEMBLY WITH LABEL: RIGHT
PM-003	HXX	1008296-0001	PEDAL: LEFT, BLACK, SIMPLE
PM-004	HXX	1008297-0001	PEDAL: RIGHT, BLACK, SIMPLE
PM-005	HXX, CHC	AK58-00245-XXXX	MEDALLION; "BUG"; PURCH
PM-006	HXX, CHC	1005455-0001	DECAL: REAR SHROUD VENT, CROSSTRAINER
PM-007	HXX, CHC, PDX, PHC	0017-00101-2150	M8 X 1.25 x 6G6G X 20 FLANGE HEAD CAP SCREW (4 per pedal)

Plugs

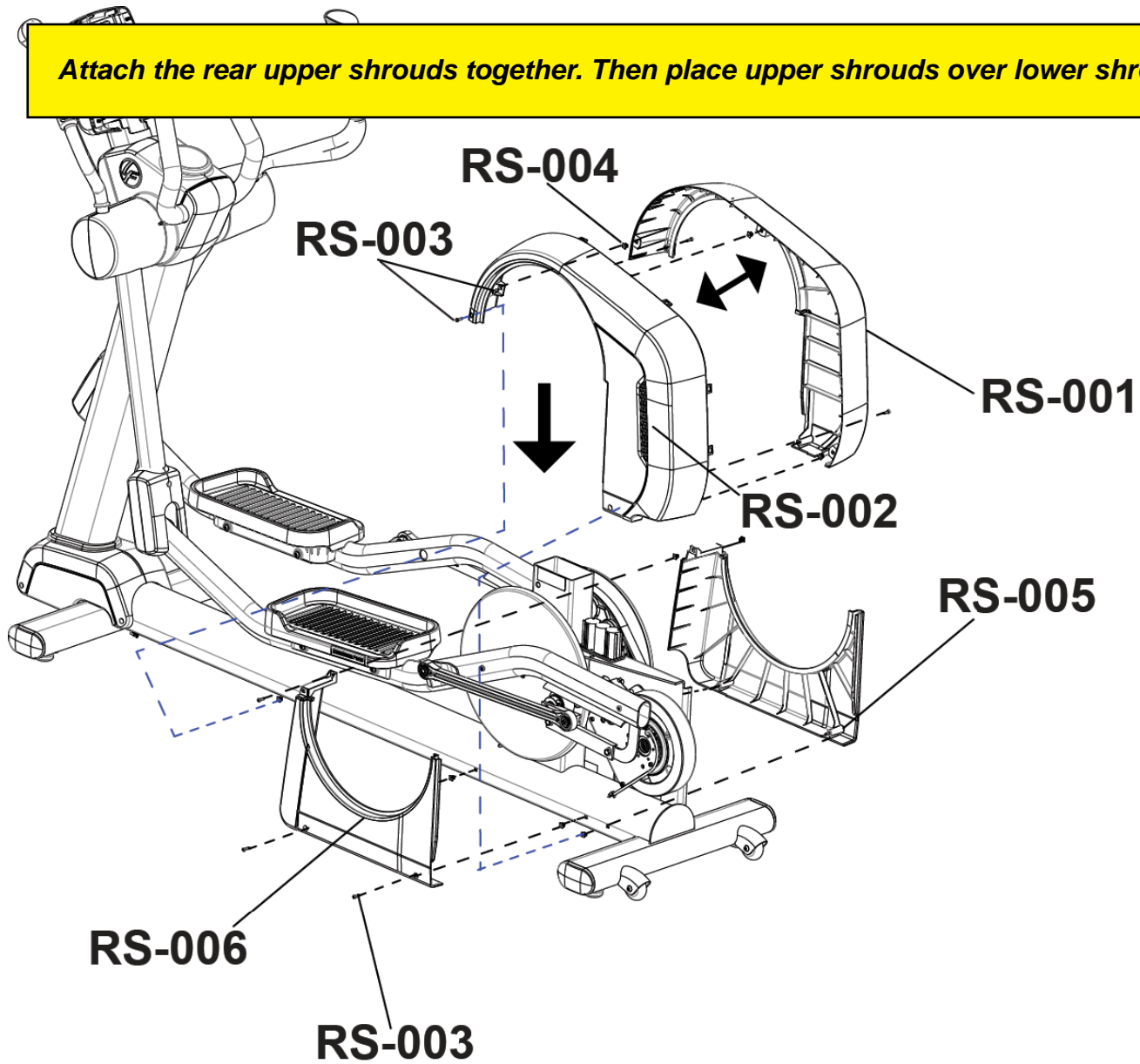


Parts List

Item	Alpha Code	Part Number	Description (Quantity)
PL-001	HXX, CHC, PDX, PHC	1002587-2400	COMMUNICATION CUP, CHARCOAL GREY
PL-002	HXX, CHC, PDX	1005470-0700	PLUG: IR PORT, BLACK
PL-003	HXX, CHC, PDX	1005393-0700	PLUG: HDMI, BLACK
PL-004	HXX, CHC, PDX	1004601-0001	PLUG: RJ45 RECEPTACLE

Rear Shrouds

Attach the rear upper shrouds together. Then place upper shrouds over lower shrouds.



Parts List

Item	Alpha Code	Part Number	Description (Quantity)
RS-001	HXX, CHC, PDX, PHC	1002583-0000	SHROUD: REAR, UPPER, RIGHT
RS-002	HXX, CHC, PDX, PHC	1002584-0000	SHROUD: REAR, UPPER, LEFT
RS-003	HXX, CHC, PDX, PHC	0017-00101-1796	SCREW: M4.2 X 0.7 6g6g X 19 DIN PHL PAN AB ST ZB (12)
RS-004	HXX, CHC, PDX, PHC	0017-00042-1147	GROMMET: SCREW; 8 OR 10 (12)
RS-005	HXX, CHC, PDX, PHC	1002585-0000	SHROUD: REAR, LOWER, RIGHT
RS-006	HXX, CHC, PDX, PHC	1002586-0000	SHROUD: REAR, LOWER, LEFT

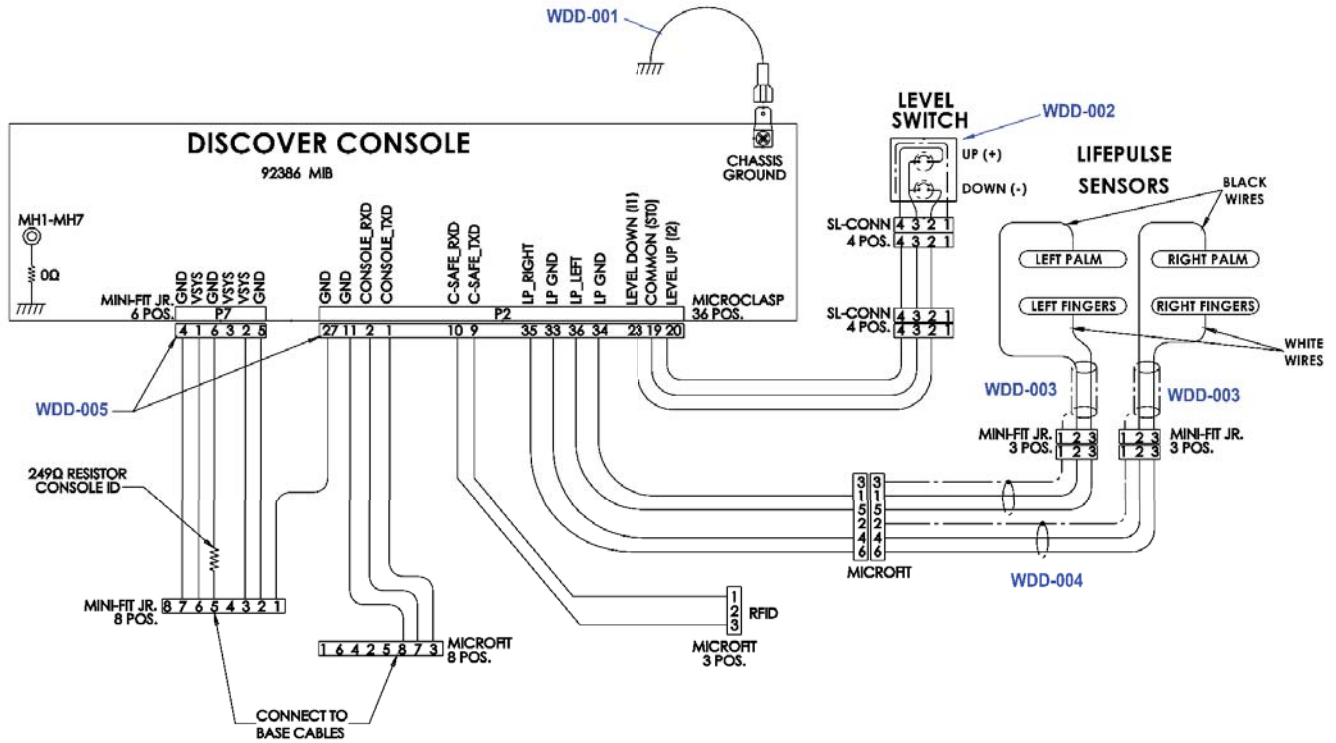
Wiring Diagram - Base

Parts List

Item	Alpha Code	Part Number	Description (Quantity)
WDB-001	HXX, CHC, PDX, PHC	1002258-0003	CABLE: CONSOLE TO BASE, POWER, CROSSTRAINER
WDB-002	HXX, CHC, PDX, PHC	1002239-0003	CABLE: CONSOLE TO BASE, SIGNAL, CROSSTRAINER
WDB-003	HXX, CHC, PDX, PHC	121E-00001-0023	CORE: FERRITE; SUPPRESSION B
WDB-004	HXX, CHC, PDX, PHC	AK69-00106-0000	CABLE ASSY: BATTERY, NON-TREADS, 26 INCH (USED FOR INTEGRITY CONSOLES)
WDB-005	HXX, CHC, PHC	1001517-0001	POWER SUPPLY: 12 VDC, 3A (USED FOR INTEGRITY CONSOLES)
	PDX	1004808-0001	POWER SUPPLY, 100-240VAC TO 24VDC, 5A, 2.5MM PLUG (USED FOR DISCOVER CONSOLE)
WDB-006	PDX	1001671-0003	CABLE: IR, CONSOLE TO PANEL, UPRIGHT BIKE (FEATURED BASE ONLY)
WDB-007	-	1001653-0003	CABLE ASSEMBLY: HDMI, PANEL MOUNT, RIGHT, CROSSTRAINER (FEATURED BASE ONLY)
WDB-008	HXX, CHC, PDX, PHC	AK65-00062-0000	COAX ASSY: RG6; BASE
WDB-009	PDX, PHC	AK70-00092-0000	CABLE ASSEMBLY CAT-5E
WDB-010	HXX, CHC, PDX, PHC	1003521-0003	CABLE: POWER, RCB TO PANEL, 5A, CROSSTRAINER CBL-014
WDB-011	HXX, CHC, PDX, PHC	1007096-0001	FERRITE: ROUND CABLE SNAP, 240 OHM @ 250MHZ

**NOTE: MUST USE the 12VDC power supply with Integrity X or C Console.
DO NOT USE a 24VDC power supply!**

Wiring Diagram - Discover



Parts List

Item	Alpha Code	Part Number	Description (Quantity)
WDD-001	-	AK65-00103-0001	CBL ASSY: GROUND ESD
WDD-002	HXX, CHC	118E-00001-0304	SWITCH: MEMBRANE: KEYPAD: HANDLE GRIP (FEATURED BASE ONLY)
WDD-003	HXX, CHC, PDX, PHC	1003871-0002	CABLE: LIFEPULSE ELECTRODES, CROSSTRAINER
WDD-004	HXX, CHC, PDX, PHC	1003838-0002	CABLE: LIFEPULSE TO ELECTRODE - CROSSTRAINER
WDD-005	PDX	1006811-0001	CABLE: DISCOVER TO HERCULES ADAPTOR, CROSSTRAINER