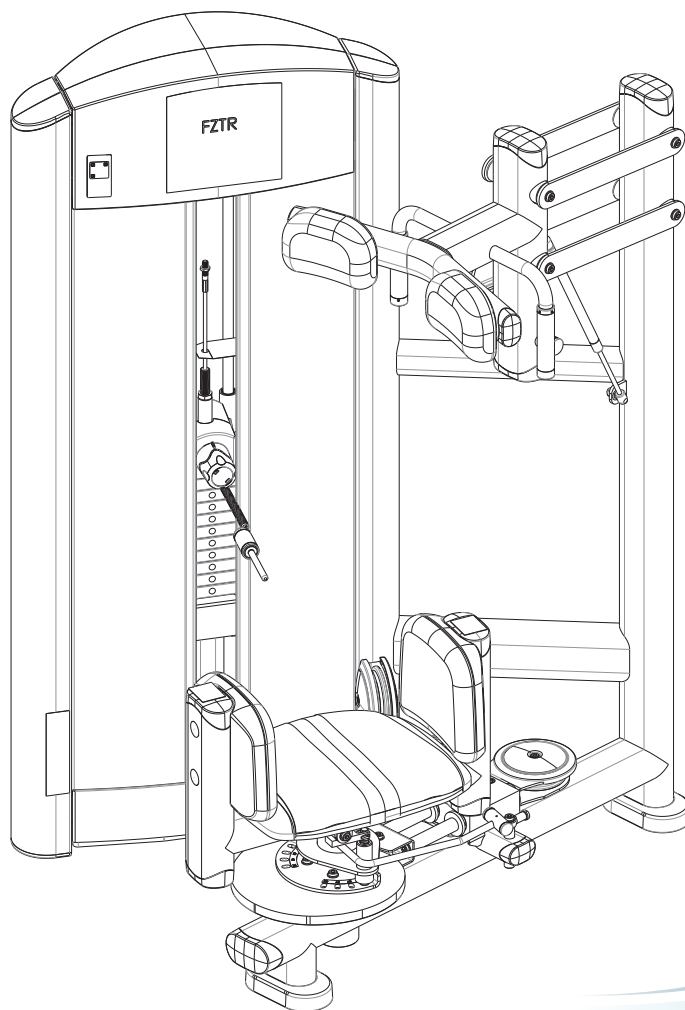


Signature Series Single Station Torso Rotation

FZTR

Parts List



LifeFitness
WHAT WE LIVE FOR

FZTR TORSO ROTATION CONTENTS

FRAME AND UPHOLSTERY COLORS..... 3

SHROUD OPTIONS..... 4

COMPONENT ASSEMBLY..... 5

COMPONENT ASSEMBLY II..... 6

COMPONENT ASSEMBLY LEGEND..... 7

MID-9 TOWER ASSEMBLY..... 8

STANDARD PLASTIC TOWER ASSEMBLY..... 9

OPTIONAL WRAPPED SHROUDS..... 10

MID-9 WEIGHT STACK ASSEMBLY..... 11

5 LB. INCREMENT WEIGHT ASSEMBLY..... 12

10 LB. INCREMENT WEIGHT ASSEMBLY..... 13

15 LB. INCREMENT WEIGHT ASSEMBLY..... 14

OPTIONAL MID-9 SHORT LIGHT WEIGHT STACK ASSEMBLY..... 15

OPTIONAL 2.5 LB. INCREMENT WEIGHT ASSEMBLY..... 16

OPTIONAL 5 LB. INCREMENT WEIGHT ASSEMBLY..... 17

OPTIONAL 7.5 LB. INCREMENT WEIGHT ASSEMBLY..... 18

HEAD PLATE ASSEMBLY..... 19

IMAGE..... 20

FZTR TORSO ROTATION FRAME AND UPHOLSTERY COLORS

Strength Frame Colors



Platinum



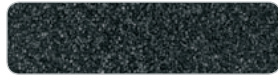
White



Black



Ice Blue Metallic



Midnight Metallic



Nickel



Blue



Red



Yellow



Candy Apple Red

Note: Include frame color in pick-slip notes when ordering frame assemblies or weldments.

Strength Upholstery Colors



American Beauty Red 07



Azure 20



Black 01



Cranberry 04



Graphite 22



Hunter Green 13



Regimental Blue 14



Royal Blue 02



Slate 03



Wheat 21



Burgundy 29



Candy Apple Red 28



Chestnut 34



Concord 16



Crocus 19



Dove Gray 37



Emerald 27



Grotto 25



Gun Metal 39



Imperial Blue 33



Jade 26



Navy 32



Northwoods Green 05



Paprika 35



Plum 30



Putty 38



Space Blue 06



Suede 08



Terra Cotta 36



Turquoise 17

Note: Replace XX with above color suffix when ordering pads (ie. 74123XX = 7412301 Black)
Use 99 suffix for custom upholstery.

FZTR TORSO ROTATION SHROUD OPTIONS

STANDARD SHROUD NO WRAP

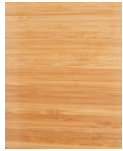


TRANSLUCENT



OPTIONAL StackWraps™ SHROUD + WRAP

BAMBOO



BRONZE



ROSEWOOD



SKY



STAINLESS STEEL



STEM



CO-BRANDED StackWraps™

SHROUD + WRAP

(refer to co-branded parts list)



PLANET FITNESS

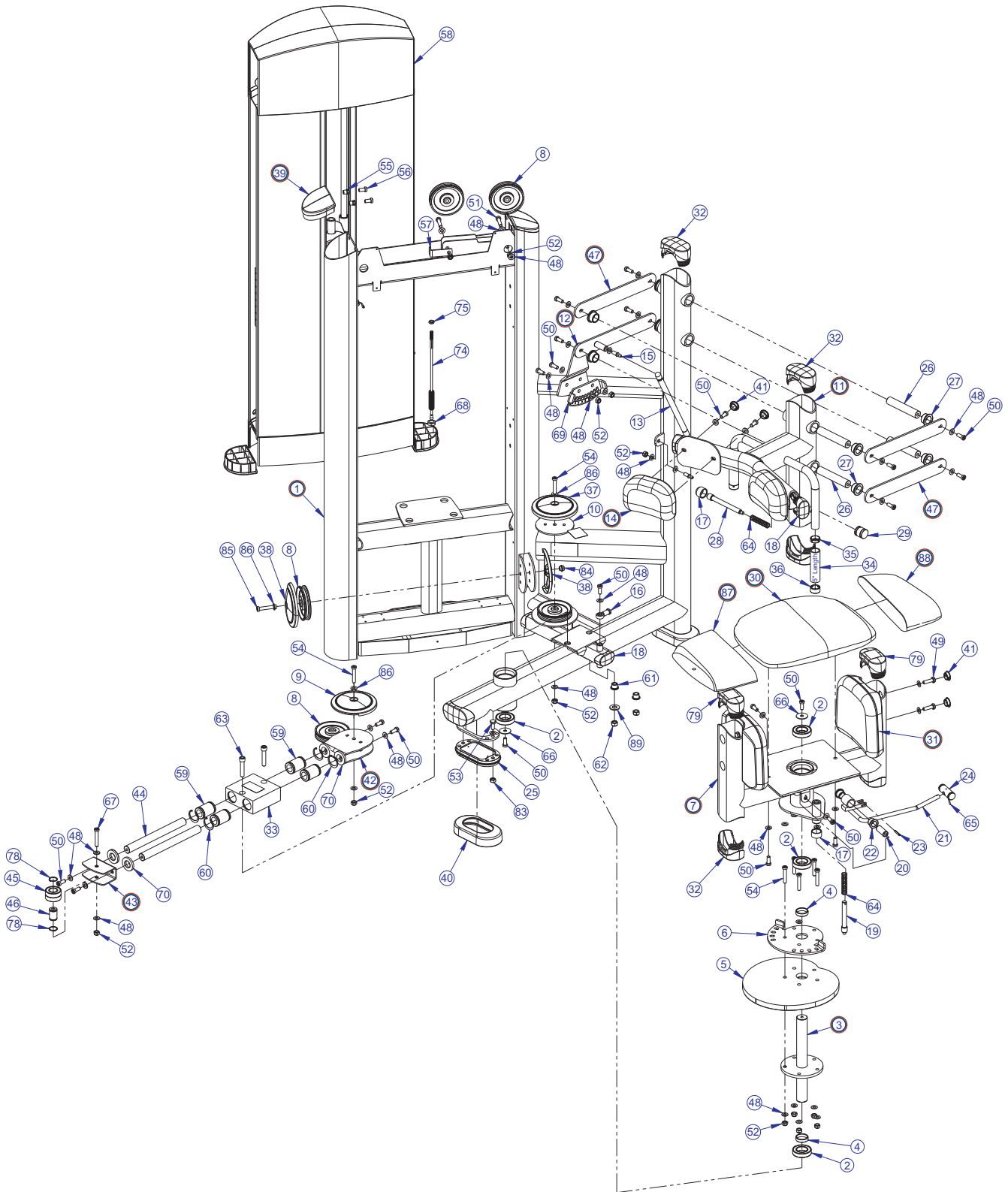


BLINK FITNESS



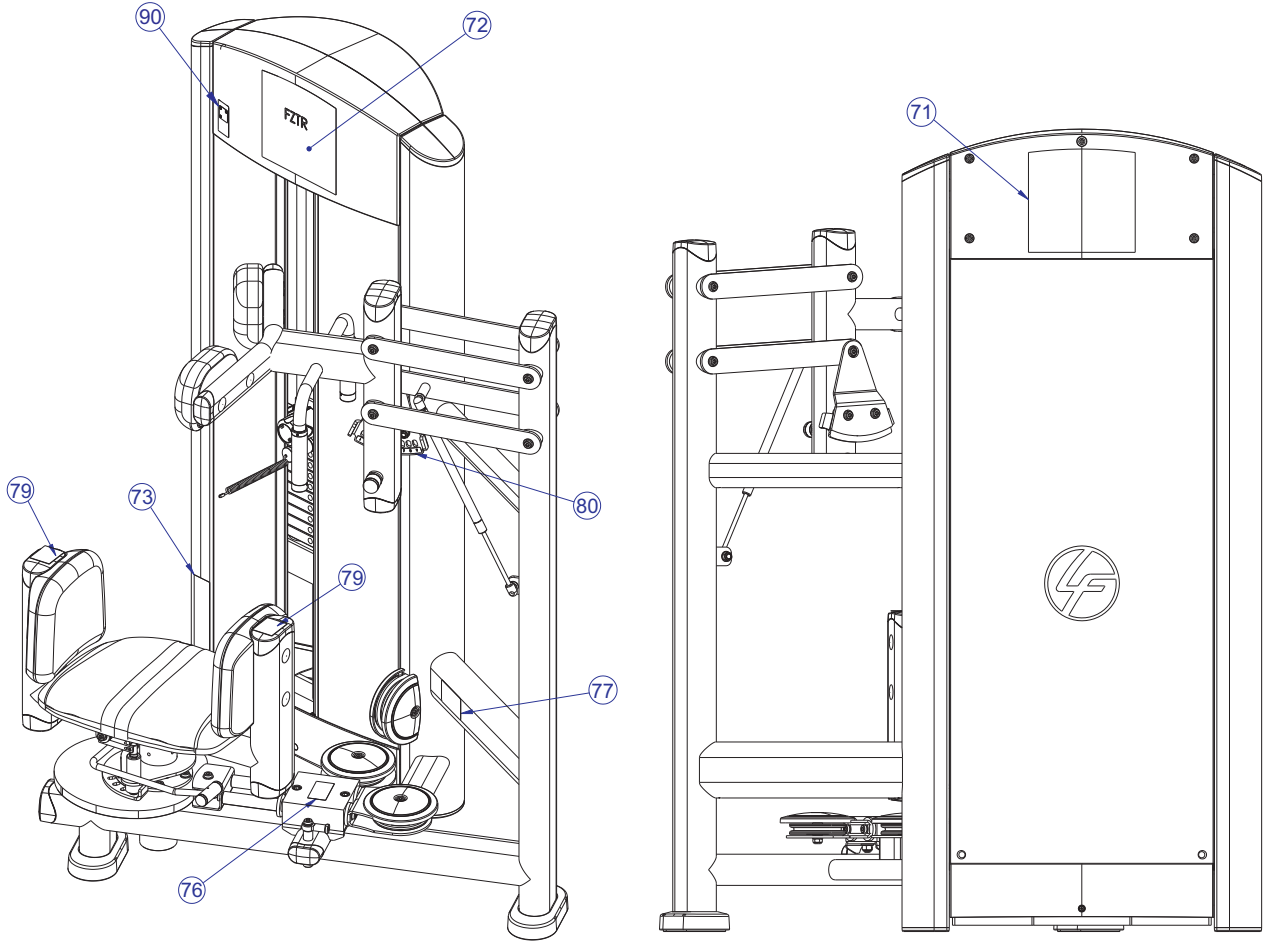
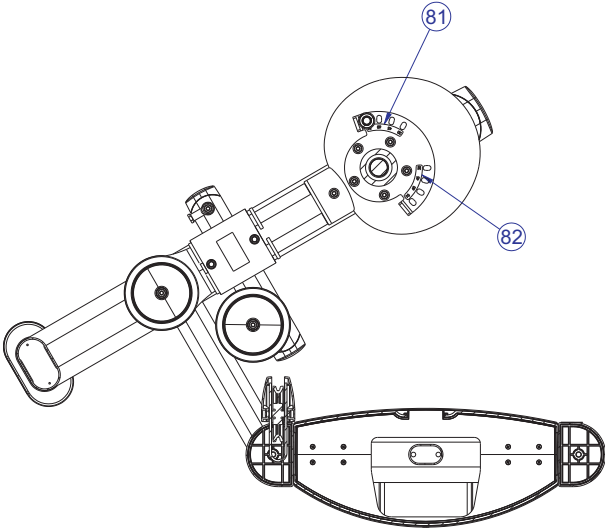
RETRO FITNESS

FZTR TORSO ROTATION COMPONENT ASSEMBLY



SEE PAGE 7 FOR LEGEND

FZTR TORSO ROTATION COMPONENT ASSEMBLY II

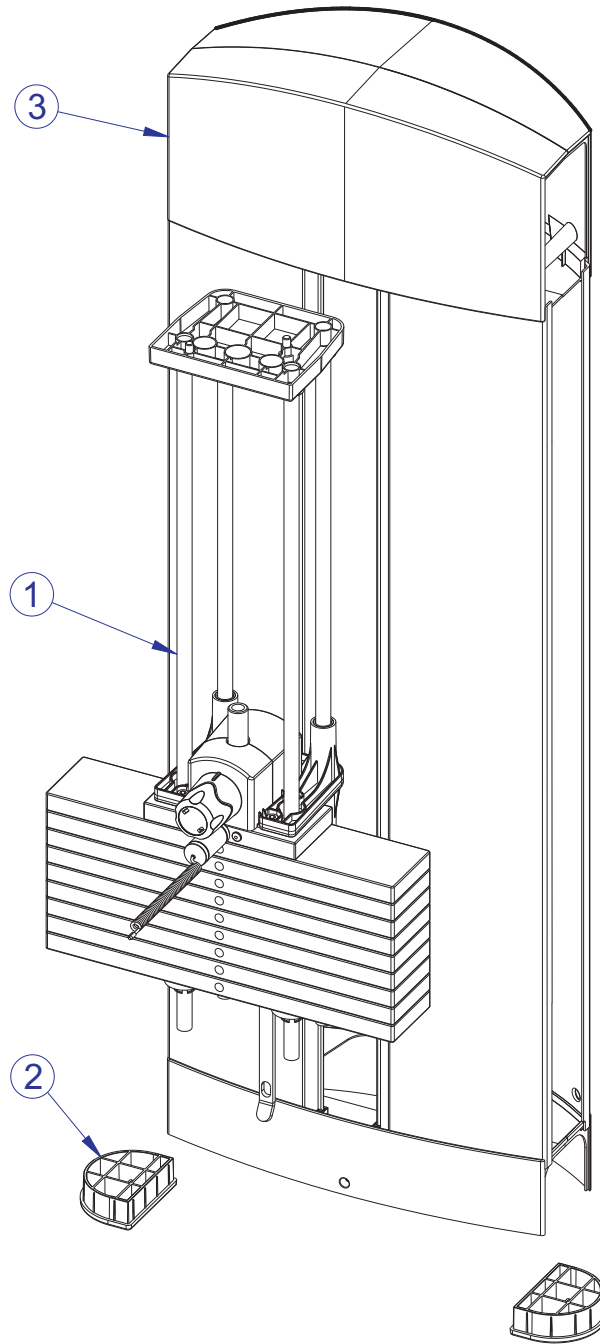


SEE PAGE 7 FOR LEGEND

FZTR TORSO ROTATION COMPONENT ASSEMBLY LEGEND

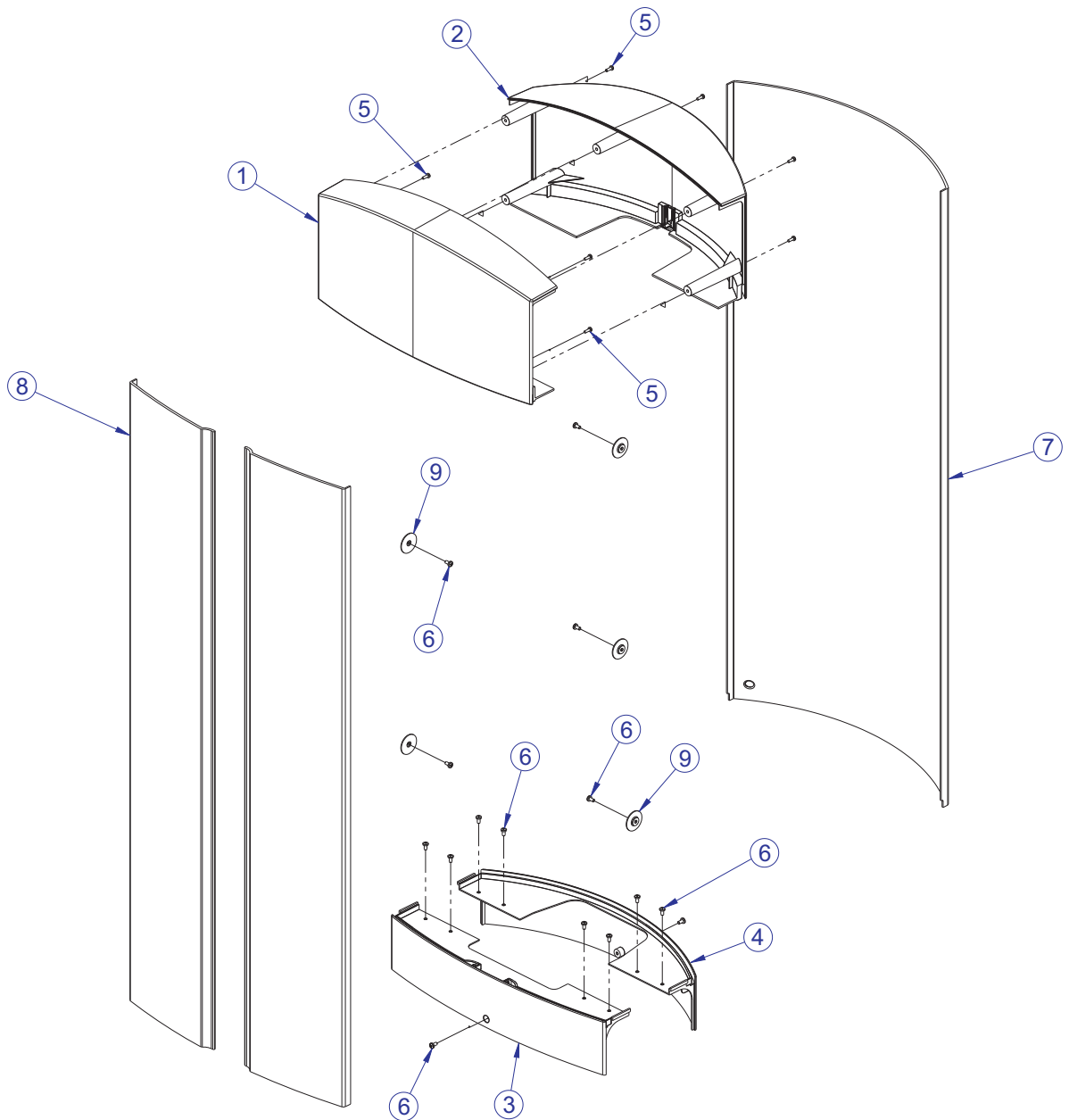
ITEM NO.	QTY.	PART NO.	DESCRIPTION	COLOR
1	1		WLDMT, FZTR FRAME	ANY
2	4	3243201	BEARING, 6007 BALL	-
3	1	7685501	WLDMT, FZTR PIVOT SHAFT	ANY
4	2	7511501	SPACER, FZ/PS INTERNAL .403	-
5	1	7775201	CAM, FZTR-MOLDED	-
6	1	7763501	PLATE, CAM INDEX	-
7	1	7685301	WLDMT, FZTR KNEE SUPPORT	ANY
8	5	3237801	PULLEY, 4.5" OD	-
9	1	8104501	COVER, PULLEY-BOLTED NOTCHED	-
10	1	7318201	PLATE, PULLEY	-
11	1	7700501	WLDMT, FZTR SHOULDER SUPPORT	ANY
12	1	7685401	WLDMT, FZTR, 4-BAR INDEX	-
13	1	3235701	SPRING, GAS 150N	-
14	2	73933XX	PAD, ARM REST	ANY
15	2	7414301	STUD, M10 BALL END M10 X 1.5	-
16	1	3237901	ROD END, METRIC FEMALE	-
17	2	7690201	BUMPER, SLEEVE - 1.125 INCH DIA	-
18	4	7333801	CAP, SMALL FLOV- END	-
19	1	7600102	PIN, PULL X 4.88	-
20	1	7324802	SHAFT, TAPPED 0.75 DIA X 1.800	-
21	1	7700495	WLDMT, FZTR ADJ. HANDLE	-
22	2	3104901	.75" ID 1.00" OD BRONZE BUSHING	-
23	1	3110011	ROLL PIN, 3/16 X 1-1/4	-
24	1	7287901	HANDLE, ADJUSTER, SILVER	-
		7287903	HANDLE, ADJUSTER, YELLOW	-
25	2	7334001	FOOT, 2.50 X 4.49 FLOV	-
26	4	7324902	SHAFT, TAPPED 1 DIA X 5.330	-
27	8	3104903	1.00" ID 1.25" OD BRONZ BUSHING	-
28	1	7425102	PIN, PULL X 6.75	-
29	1	7424801	KNOB, POP PIN, SILVER	-
		7424803	KNOB, POP PIN, YELLOW	-
30	1	80315XX	PAD, LARGE CHAIR, FZTR	ANY
31	2	74743XX	PAD, HEAD REST	ANY
32	6	7333901	CAP, LARGE FLOV- END	-
33	1	7690001	BLOCK, LINEAR SLIDE	-
34	2	3235801	GRIP, SHADOW GRAY, 5.00"	-
35	2	7662801	RING, GRIP 1.25 OD	-
36	2	7662901	CAP, GRIP 1.25 OD	-
37	1	8102901	COVER, PULLEY-BOLTED FULL	-
38	2	8094101	COVER, PULLEY-BOLTED PARTIAL	-
39	2	7326201	CAP, D-TUBE - TOP	ANY
40	2	7340201	COVER, FOOT - STRAIGHT	-
41	10	3237403	PLUG, 1" HOLE	-
42	1	7687001	BRKT, LINEAR SLIDE PULLEY	ANY
43	1	7686801	BRKT, CAM FOLLOWER	ANY
44	2	7702401	GUIDE ROD, FZTR LINEAR	-
45	2	3235601	BEARING, 6205 BALL	-
46	1	7686901	SHAFT, BEARING	-
47	3	7407201	PLATE, .25 X 2 4-BAR	ANY
48	53	3236601	WASHER, 3/8 SAE SS	-
49	4	3251204	SCREW, M10 X1.5 X 35MM HEX ST ZN	-
50	25	3236202	SCREW, M10 X1.5 25MM	-
51	2	3236206	SCREW, M10 X1.5 45MM	-
52	13	3236801	NUT, M10 HEX NYLOCK SS	-
53	4	3251202	SCREW, M10 X1.5 X 25MM HEX ST ZN	-
54	7	3236208	SCREW, M10 X1.5 55MM	-
55	4	3238601	M10X1.5 THREADED INSERT (HEX)	-
56	4	3236201	SCREW, M10 X1.5 20MM	-
57	1	6757701	CLIP, CABLE 2-7/8 X 1 X 1	-
58	1	SEE PAGE 8	ASSY, MID TOWER-9, SHORT	-
59	4	3245601	BEARING, LINEAR 1" ID	-
60	4	3202601	RET RING, INT 1-3/4 DIA X1/16	-
61	2	7702101	BUSHING, .750 OD X .500 ID X .500	-
62	2	3236803	NUT, M12 HEX NYLOCK SS	-
63	2	3241309	SCREW, M12 X1.75 60MM	-
64	2	7351501	SPRING; PULL PIN LARGE	-
65	1	3110010	ROLL PIN, 1/8 X 7/8	-
66	2	3236701	WASHER, FENDER 3/8" ID X 1.5" OD SS	-
67	1	3236209	SCREW, M10 X1.5 60MM	-
68	1	3236902	NUT, M16 X 2 HEX JAM SS	-
69	1	7821101	BRKT, SELECTOR	-
70	4	7713801	BUMPER, 1.00 IDX1.88 ODX.25	-
71	1	7714601	LABEL, FZTR LOGO	-
		7509101	LABEL, FZTR PLACARD ENG	-
		7509102	LABEL, FZTR PLACARD GER	-
		7509103	LABEL, FZTR PLACARD FRN	-
		7509104	LABEL, FZTR PLACARD SPN	-
		7509105	LABEL, FZTR PLACARD ITL	-
		7509106	LABEL, FZTR PLACARD DUT	-
		7509107	LABEL, FZTR PLACARD JAP	-
		7509108	LABEL, FZTR PLACARD POR	-
		7509109	LABEL, FZTR PLACARD SWE	-
		7509110	LABEL, FZTR PLACARD RUS	-
73	1	7422004	LABEL, 2" ASTM WARN	-
74	1	7423614	CABLE, M16TP, M10TS	-
75	1	3236901	NUT, M10 X 1.5 JAM	-
76	1	7422003	LABEL, MOVING PARTS	-
77	1	7571301	LABEL, SERIAL NUMBER	-
78	2	3232420	RING, BRE .926, 5100-98 ST PP B	-
79	2	8652701	TRANSFERRED FZTR FACE FORWARD LABEL/D-CAP	-
80	1	7853601	LABEL, FZTR 1-9	-
81	1	7801601	LABEL, FZTR CAM ADJ - RIGHT	-
82	1	7801701	LABEL, FZTR CAM ADJ - LEFT	-
83	4	3254703	NUT, M10 X 1.5 HEX ZINC	-
84	1	7335401	NUT, M10 X 1.5 SOCKET HEAD	-
85	1	3236207	SCREW, M10 X1.5 50MM	-
86	3	7630101	RETAINER, CM/MJ, PULLEY	-
87	1	80314XX	WEAR COVER, PAD, FZTR, LEFT	ANY
88	1	80313XX	WEAR COVER, PAD, FZTR, RIGHT	ANY
89	2	3241401	WASHER, FLAT 12MM SS	-
90	1	9311701	LABEL, FZTR, NFC-QR TAG	-

FZTR TORSO ROTATION MID-9 SHORT TOWER ASSEMBLY



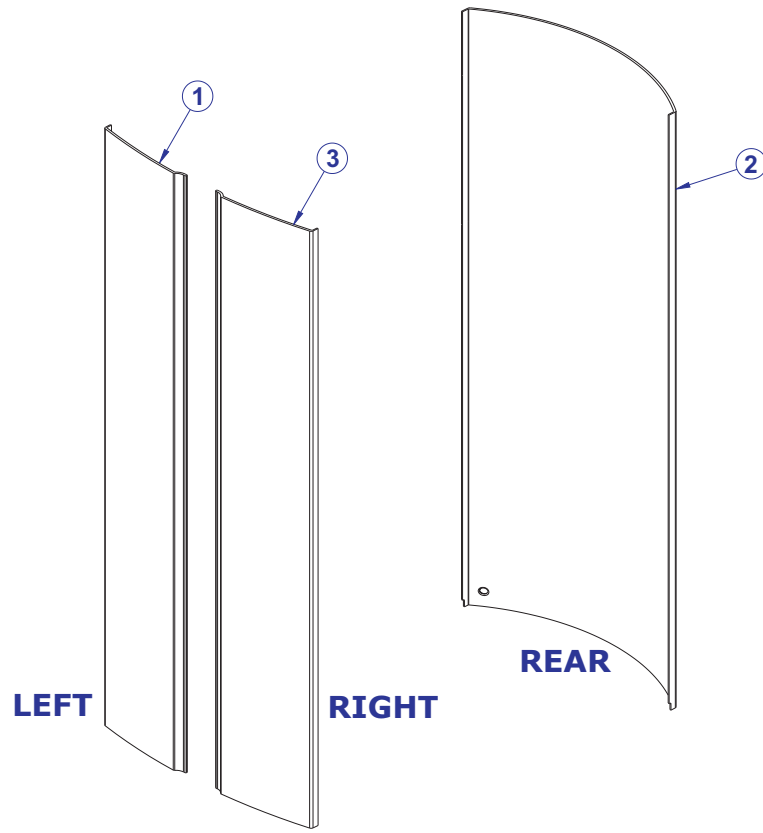
ITEM NO.	QTY.	PART NO.	DESCRIPTION	COLOR
1	1	SEE PAGE 11	ASSY, WEIGHT STACK MID-9, SHORT	-
2	2	7326301	CAP, D-TUBE - BOTTOM	-
3	1	SEE PAGE 9	ASSY, TOWER PLASTICS - MID	-


FZTR TORSO ROTATION STANDARD PLASTIC TOWER ASSEMBLY




ITEM NO.	QTY.	PART NO.	DESCRIPTION	COLOR
1	1	7318601	COVER, TOWER- TOP FRONT	-
2	1	7318701	COVER, TOWER- TOP REAR	-
3	1	7318801	COVER, TOWER- BOTTOM FRONT	-
4	1	7318901	COVER, TOWER- BOTTOM REAR	-
5	9	3236501	M4 X 0.7 PHL PAN MS ST ZN	-
6	16	3239101	SCREW, M5X10 PHL PAN TT ST	-
7	1	7765701	SHROUD, TOWER- REAR SHORT	-
8	2	7765601	SHROUD, TOWER- FRT SHORT RH	-
9	6	7583501	RETAINER, FZ SHROUD	-


FZTR TORSO ROTATION OPTIONAL WRAPPED SHROUDS





BAMBOO		ITEM NO.	QTY.	PART NO.	DESCRIPTION
		1	1	8954201	SHROUD, FZ, FNT, SRT, LT -BAMBOO
		2	1	8949101	SHROUD, FZ, REAR, SRT -BAMBOO
		3	1	8949001	SHROUD, FZ, FNT, SRT, RT -BAMBOO

SKY		ITEM NO.	QTY.	PART NO.	DESCRIPTION
		1	1	8954301	SHROUD, FZ, FNT, SRT, LT -SKY
		2	1	8949301	SHROUD, FZ, REAR, SRT -SKY
		3	1	8949201	SHROUD, FZ, FNT, SRT, RT -SKY

BRONZE		ITEM NO.	QTY.	PART NO.	DESCRIPTION
		1	1	8954401	SHROUD, FZ, FNT, LT - BRONZE
		2	1	8949501	SHROUD, FZ, REAR -BRONZE
		3	1	8949401	SHROUD, FZ, FNT, SRT, RT -BRONZE

STEM		ITEM NO.	QTY.	PART NO.	DESCRIPTION
		1	1	8954501	SHROUD, FZ, FNT, SRT, LT -STEM
		2	1	8949701	SHROUD, FZ, REAR, SRT -STEM
		3	1	8949601	SHROUD, FZ, FNT, SRT, RT -STEM

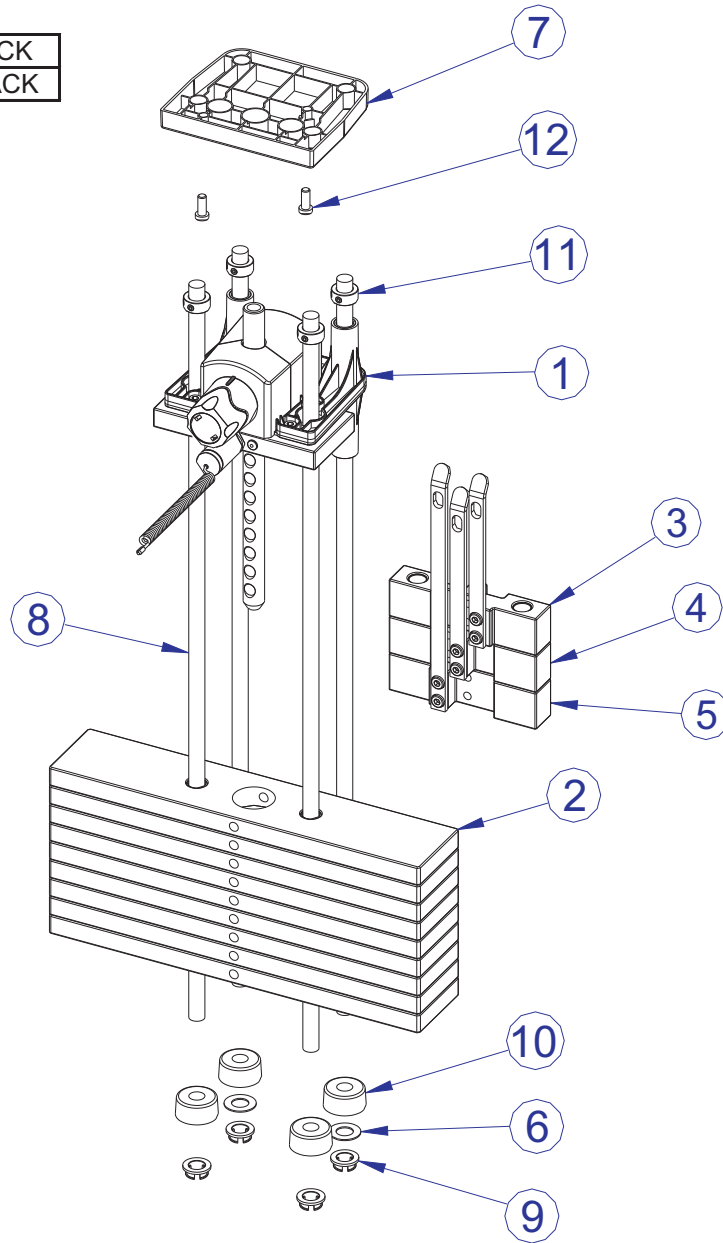
ROSEWOOD		ITEM NO.	QTY.	PART NO.	DESCRIPTION
		1	1	8954601	SHROUD, FZ, FNT, SRT, LT -ROSEWOOD
		2	1	8949901	SHROUD, FZ, REAR, SRT -ROSEWOOD
		3	1	8949801	SHROUD, FZ, FNT, SRT, RT -ROSEWOOD

STAINLESS STEEL		ITEM NO.	QTY.	PART NO.	DESCRIPTION
		1	1	8954701	SHROUD, FZ, FNT, SRT, LT -STAINLESS STEEL
		2	1	8950101	SHROUD, FZ, REAR, SRT -STAINLESS STEEL
		3	1	8950001	SHROUD, FZ, FNT, SRT, RT-STAINLESS STEEL

FZTR TORSO ROTATION MID-9 SHORT WEIGHT STACK ASSEMBLY

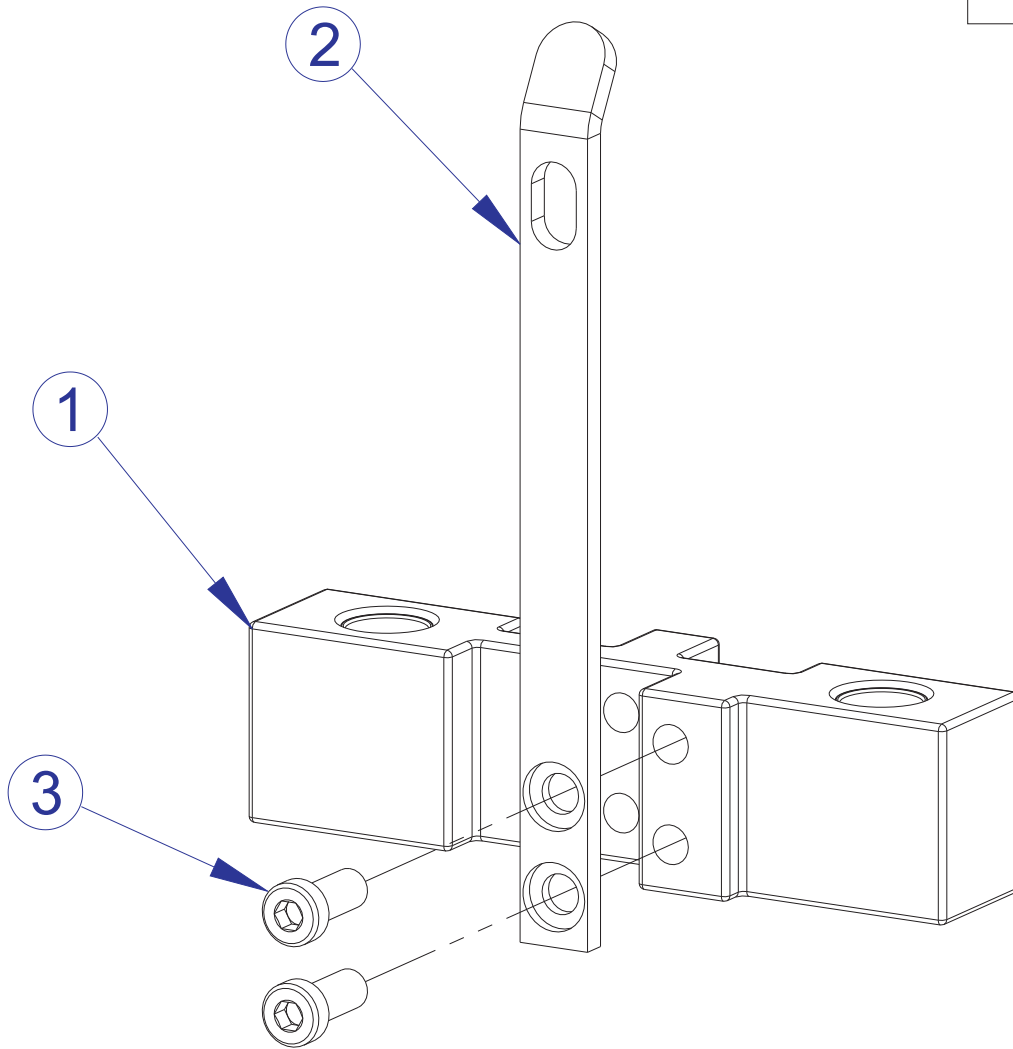
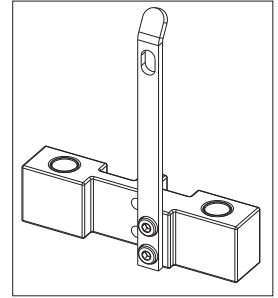
WEIGHT STACK LABELS

7927201	LABEL, 390 LB STACK
7927301	LABEL, 195 KG STACK



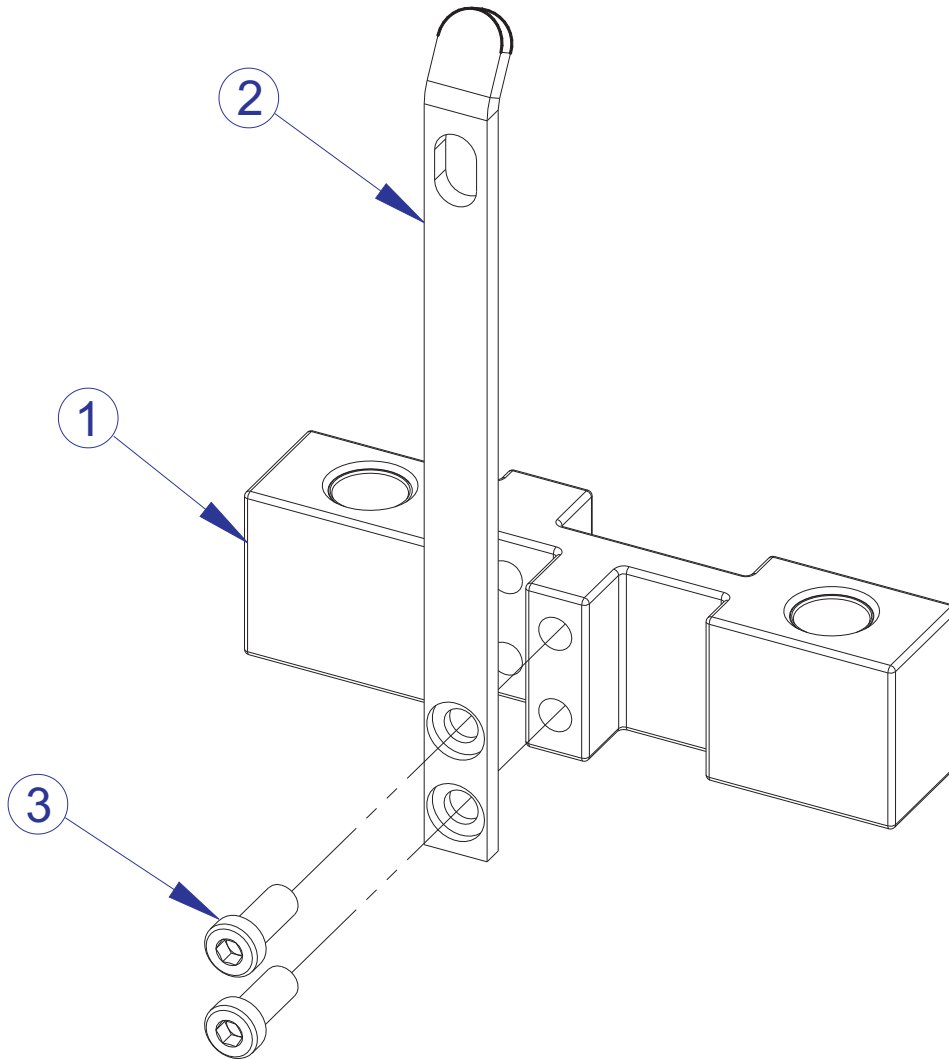
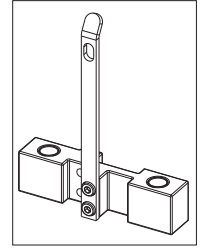
ITEM NO.	QTY.	PART NO.	DESCRIPTION	COLOR
1	1	7350601	ASSY, HEAD PLATE (9)	-
2	9	7328401	WEIGHT PLATE, 20 LB	-
3	1	7327601	ASSY, INCREMENT WT - 5LB	-
4	1	7327701	ASSY, INCREMENT WT - 10LB	-
5	1	7327801	ASSY, INCREMENT WT - 15LB	-
6	2	7351001	SPACER, INC WT STACK	-
7	1	7621101	RETAINER, GUIDE ROD - TOP	-
8	4	7328610	GUIDE ROD, .75 OD SOLID 39.75	-
9	4	7337901	BUSHING, GUIDE ROD	-
10	4	7352101	CUSHION, WEIGHT STACK	-
11	4	3103301	SHAFT COLLAR, 3/4 I.D. ZINC	-
12	2	3236202	SCREW, M10 X1.5 25MM	-

FZTR TORSO ROTATION 5 LB. INCREMENT WEIGHT ASSEMBLY - 7327601



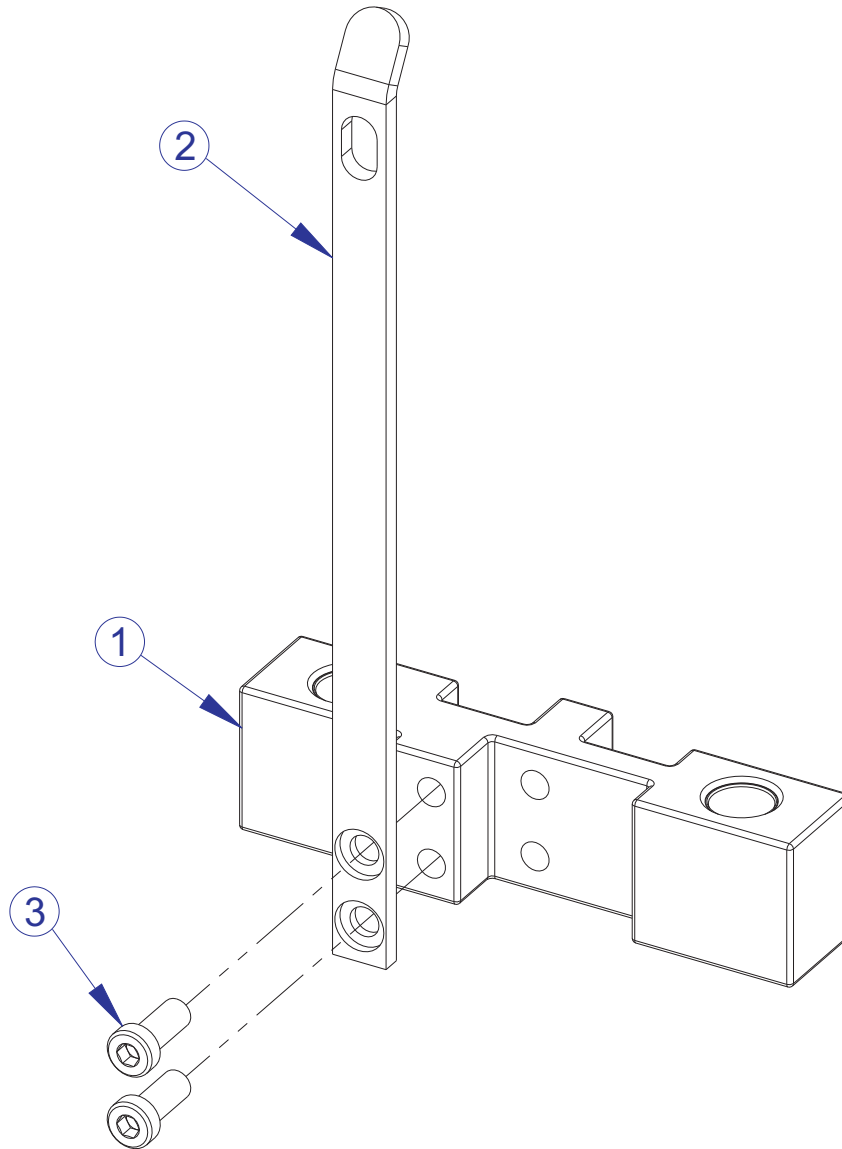
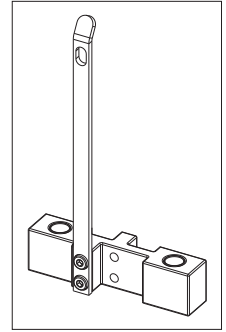
ITEM NO.	QTY.	PART NO.	DESCRIPTION
1	1	7968501	ASSY, FZ INC WEIGHT 5LB
2	1	7328001	BRKT, INCREMENT WT - 5 LB
3	2	3236202	SCREW , M10 X1.5 25MM

FZTR TORSO ROTATION 10 LB. INCREMENT WEIGHT ASSEMBLY - 7327701



ITEM NO.	QTY.	PART NO.	DESCRIPTION
1	1	7968501	ASSY, FZ INC WEIGHT 5LB
2	1	7328101	BRKT, INCREMENT WT - 10 LB
3	2	3236202	SCREW, M10 X1.5 25MM

FZTR TORSO ROTATION 15 LB. INCREMENT WEIGHT ASSEMBLY - 7327801

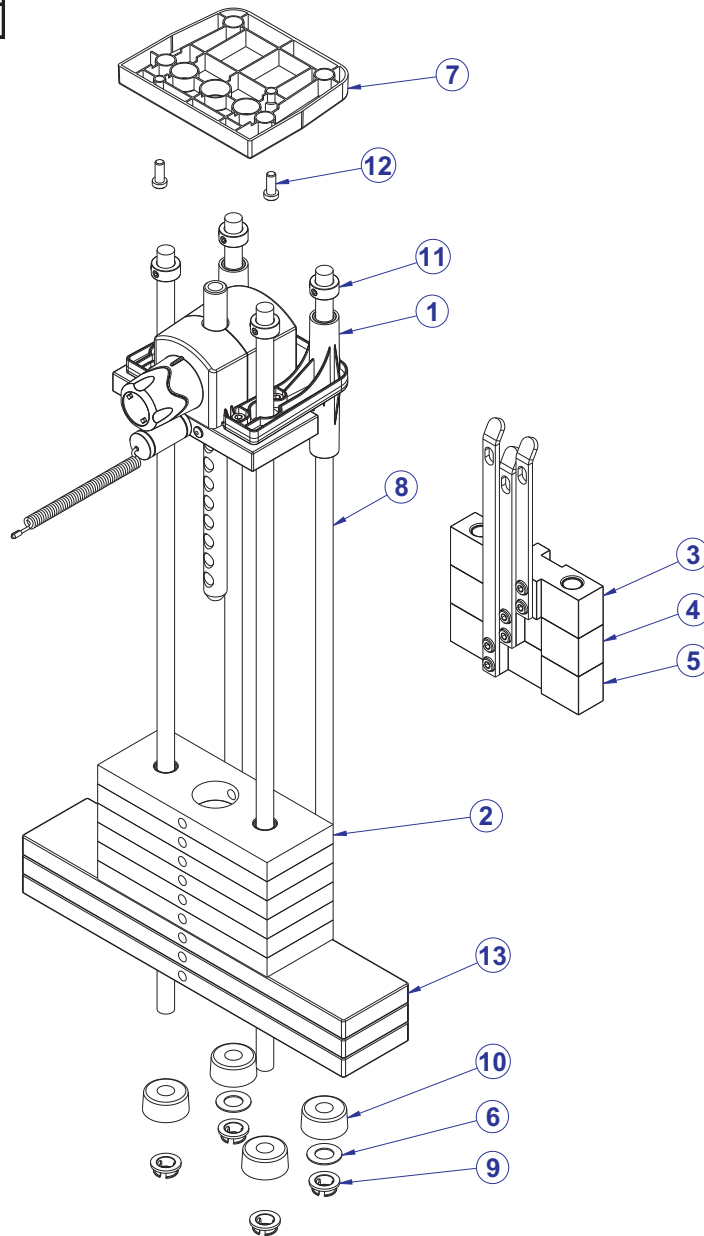


ITEM NO.	QTY.	PART NO.	DESCRIPTION
1	1	7968501	ASSY, FZ INC WEIGHT 5LB
2	1	7328201	BRKT, INCREMENT WT - 15 LB
3	2	3236202	SCREW, M10 X1.5 25MM

FZTR TORSO ROTATION

OPTIONAL MID SHORT LIGHT-9 WEIGHT STACK ASSY.

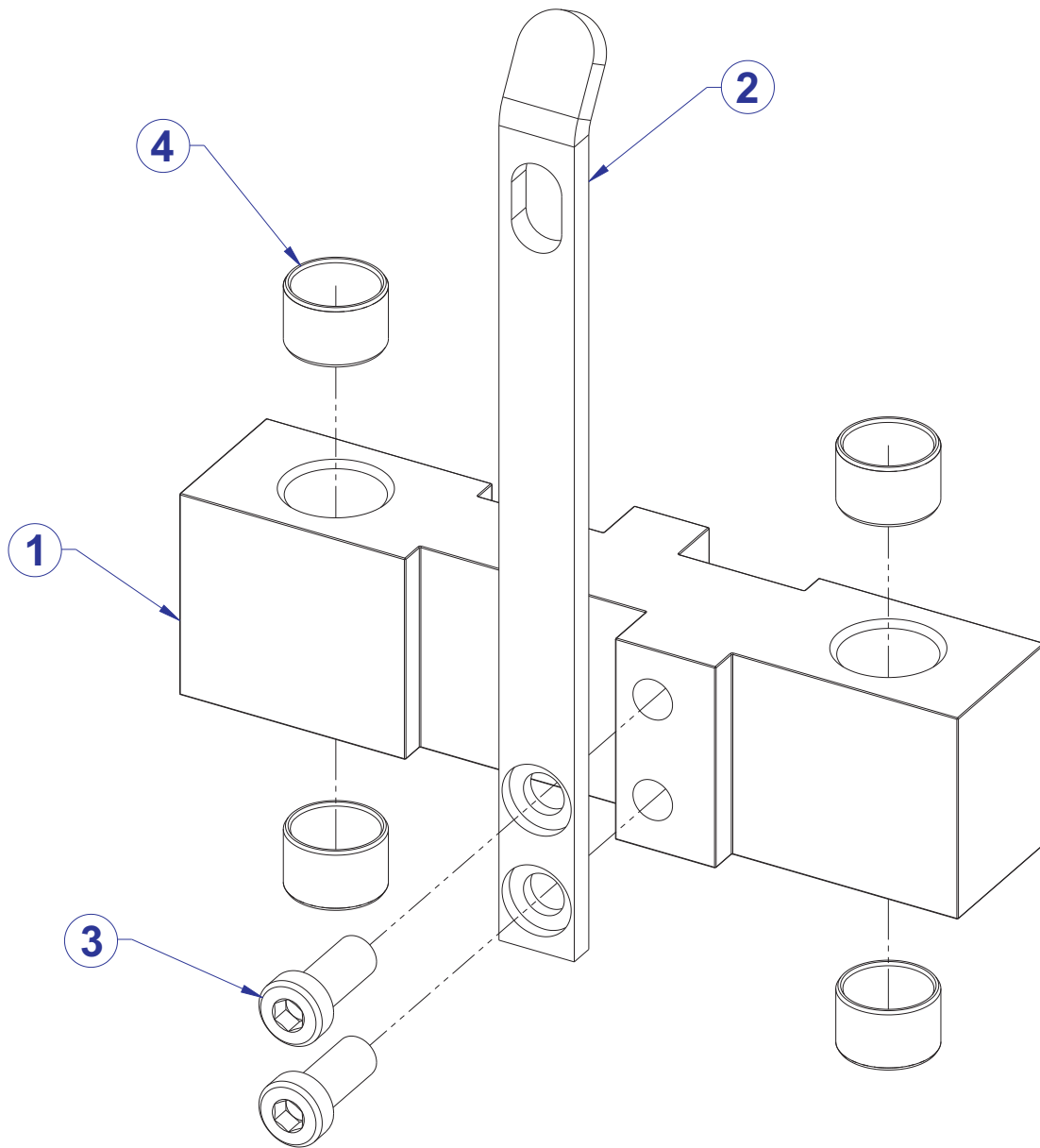
WEIGHT STACK LABEL	
8867101	LABEL, 190 LB STACK



ITEM NO.	QTY.	PART NO.	DESCRIPTION	COLOR
1	1	7350601	ASSY, HEAD PLATE (9)	-
2	6	7353701	ASSY, 10 LB PLATE	-
3	1	8861301	ASSY, FZ INC WEIGHT - 2.5 LB	-
4	1	8861401	ASSY, FZ INC WEIGHT - 5 LB	-
5	1	8861501	ASSY, FZ INC WEIGHT - 7.5 LB	-
6	2	7351001	SPACER, INC WT STACK	-
7	1	7621101	RETAINER, GUIDE ROD - TOP	-
8	4	7328610	GUIDE ROD, .75 OD SOLID 39.75	-
9	4	7337901	BUSHING, GUIDE ROD	-
10	4	7352101	CUSHION, WEIGHT STACK	-
11	4	3103301	SHAFT COLLAR, 3/4 I.D. ZINC	-
12	2	3236202	SCREW, M10 X1.5 25MM	-
13	3	7328401	WEIGHT PLATE, 20 LB	-

FZTR TORSO ROTATION

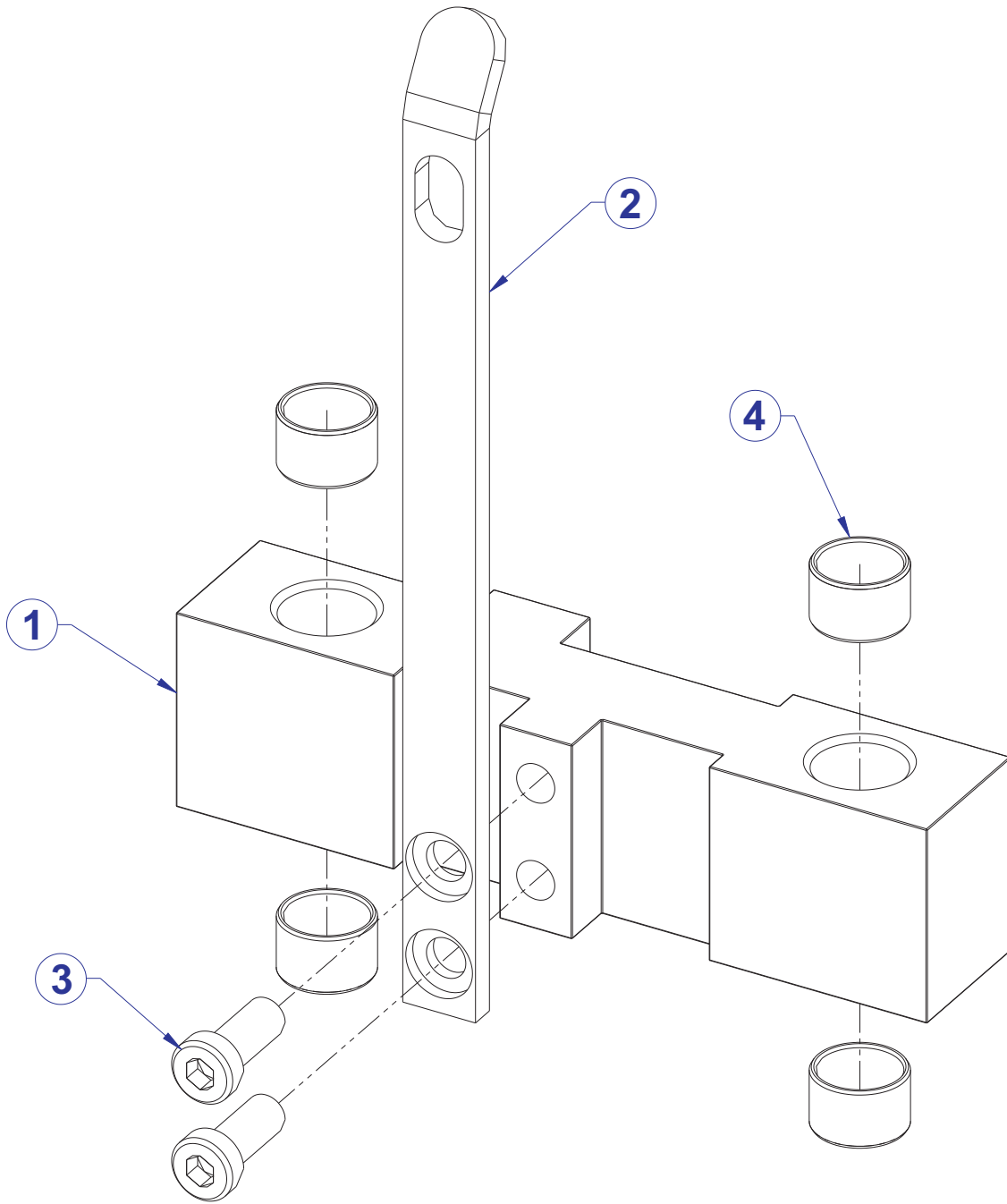
OPTIONAL 2.5 LB. INCREMENT WEIGHT ASSY. - 8861301



ITEM NO.	QTY.	PART NO.	DESCRIPTION
1	1	8861295	INCREMENT WEIGHT, FZ OPTIONAL - SG
2	1	7328001	BRKT, INCREMENT WT - 5 LB
3	2	3236202	SCREW, M10 X1.5 25MM
4	4	3202501	BEARING, SLEEVE 20 ID X 23.00 X 15 MM

FZTR TORSO ROTATION

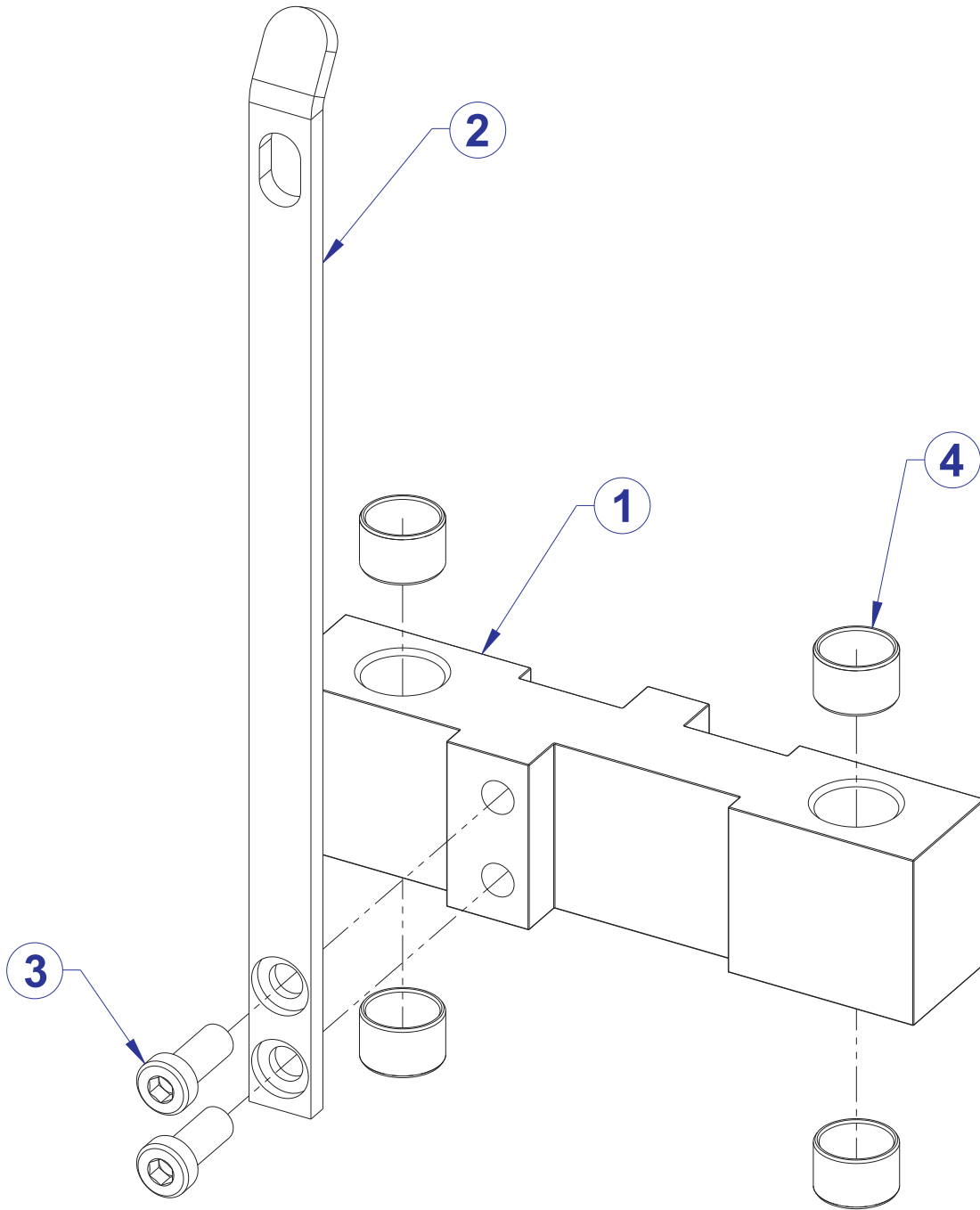
OPTIONAL 5 LB. INCREMENT WEIGHT ASSY. - 8861401



ITEM NO.	QTY.	PART NO.	DESCRIPTION
1	1	8861295	INCREMENT WEIGHT, FZ OPTIONAL - SG
2	1	7328101	BRKT, INCREMENT WT - 10 LB
3	2	3236202	SCREW, M10 X1.5 25MM
4	4	3202501	BEARING, SLEEVE 20 ID X 23.00 X 15 MM

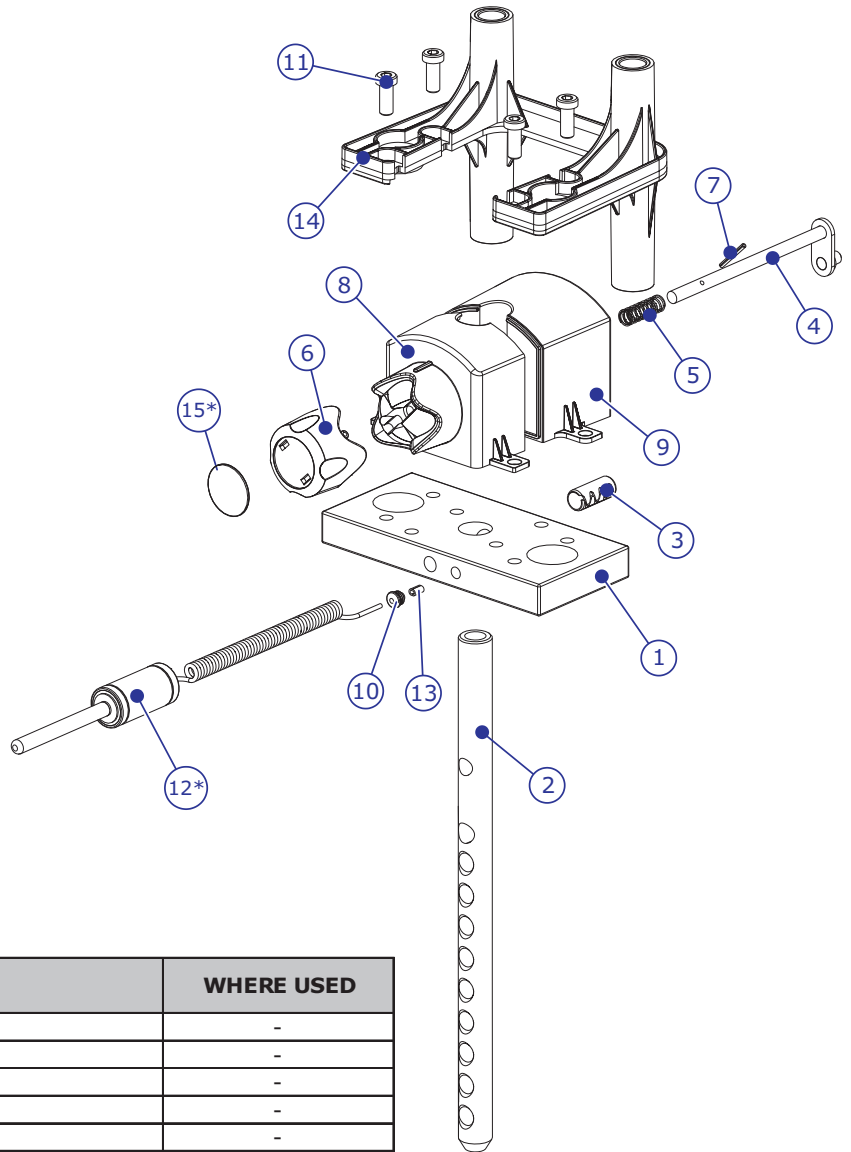
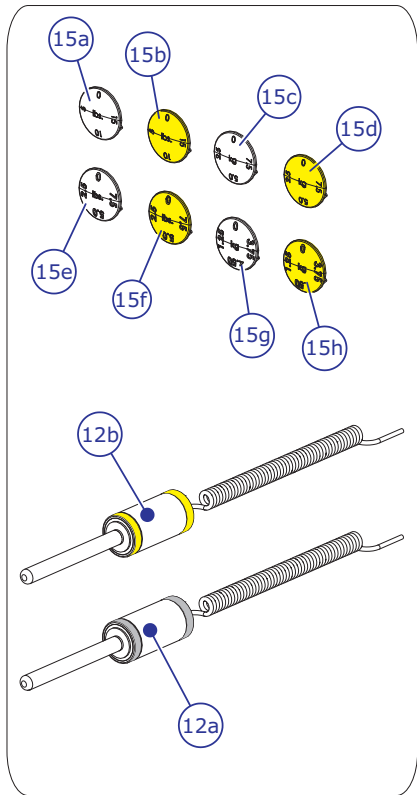
FZTR TORSO ROTATION

OPTIONAL 7.5 LB. INCREMENT WEIGHT ASSY. - 8861501



ITEM NO.	QTY.	PART NO.	DESCRIPTION
1	1	8861295	INCREMENT WEIGHT, FZ OPTIONAL - SG
2	1	7328201	BRKT, INCREMENT WT - 15 LB
3	2	3236202	SCREW, M10 X1.5 25MM
4	4	3202501	BEARING, SLEEVE 20 ID X 23.00 X 15 MM

FZTR TORSO ROTATION HEAD PLATE ASSEMBLY - 7350601



ITEM NO.	QTY.	PART NO.	DESCRIPTION	WHERE USED
1	1	7326701	HEAD PLATE	-
2	1	7347801	STEM, 9 PLATE	-
3	1	3236001	BUSHING, SPRING PIN	-
4	1	7327201	WLDMT, INCREMENT WT PIN	-
5	1	8024501	SPRING, 1/2 OD X 1-1/2	-
6	1	7326101	KNOB, INC WT SELECTOR	-
7	1	3110008	ROLL PIN, 1/8 X 1-1/4	-
8	1	7326401	HOUSING, SELECTOR - FRONT	-
9	1	7326501	HOUSING, SELECTOR - REAR	-
10	1	7356501	PLUG, LANYARD ATTACHMENT	-
11	4	3236202	SCREW, M10 X1.5 25MM	-
12*	a	7338101	ASSY, WT STACK SELECTOR PIN-SILVER	-
	b	7338103	ASSY, WT STACK SELECTOR PIN-YELLOW	-
13	1	7523601	CRIMP, CABLE	-
14	1	8867301	ASSY, FZ, STABILIZER WITH BUSHINGS	-
15*	a	7398601	CAP, SELECTOR KNOB - 5 LBS, SILVER	REG. STACK / LBS.
	b	7398603	CAP, FZ SELECTOR KNOB - 5 LBS, YELLOW	REG. STACK / LBS.
	c	7398701	CAP, FZ SELECTOR KNOB - 2.5 KG, SILVER	REG. STACK / KG.
	d	7398703	CAP, FZ SELECTOR KNOB - 2.5 KG, YELLOW	REG. STACK / KG.
	e	8865801	CAP, FZ SELECTOR KNOB - 2.5 LBS, SILVER	LIGHT STACK / LBS.
	f	8865803	CAP, FZ SELECTOR KNOB - 2.5 LBS, YELLOW	LIGHT STACK / LBS.
	g	8946501	CAP, FZ SELECTOR KNOB - 1.25 KG, SILVER	LIGHT STACK / KG.
	h	8946503	CAP, FZ SELECTOR KNOB - 1.25 KG, YELLOW	LIGHT STACK / KG.

Kit exists for component set. See bulletin FZ02012701N

* Language specific/Weight stack item. Order separately-not part of assembly.

FZTR TORSO ROTATION IMAGE

