

**HAMMER
STRENGTH[®]**

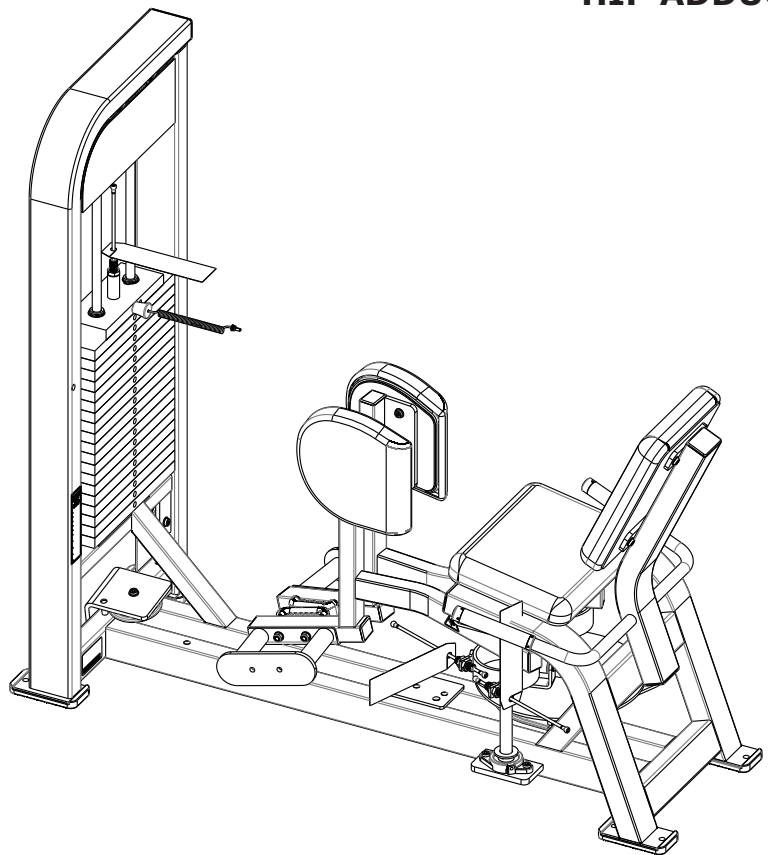
**HAMMER
STRENGTH[®]**

HAMMER SELECT

PARTS MANUAL

**HIP ADDUCTION
HS-HAD**

8/5/2016



CONTENTS

POWDER COATED COMPONENTS PAGE 3

COMPONENT ASSEMBLY 4

COMPONENT ASSEMBLY LEGEND 5

WEIGHT STACK ASSEMBLY 6

INCREMENT WEIGHT ASSEMBLY 7

ADD-ON WEIGHT ASSEMBLY 8

REAR SHROUD ASSEMBLY 9

FULL SHROUD ASSEMBLY 10

KEY

LANGUAGE 1 2 3

Items with Black call-outs require the language to be listed within the order notes. IE. English

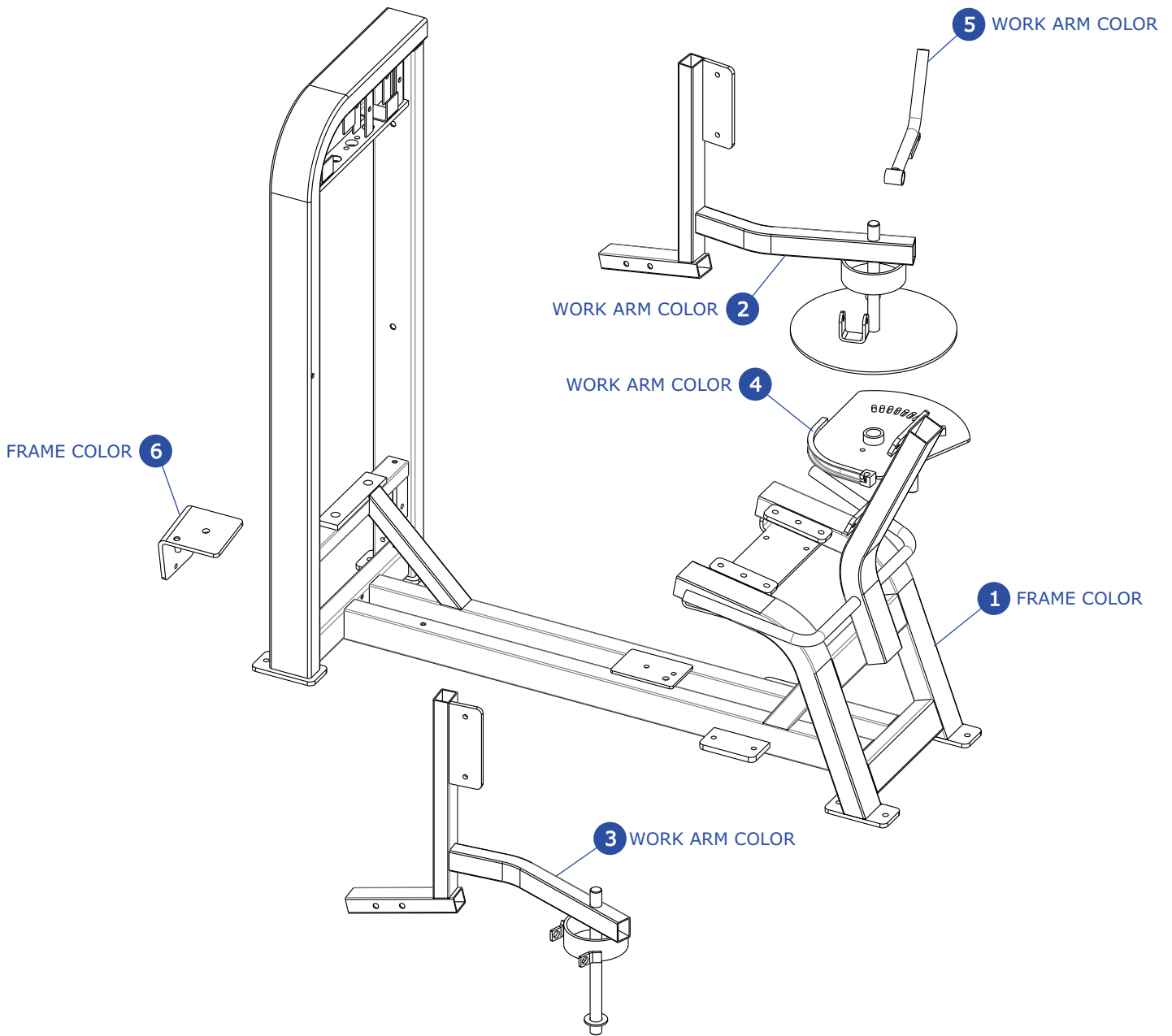
UPHOLSTERY 1 2 3

Items with Gray call-outs require the upholstery color listed within the order notes. IE: Putty

FRAME AND WORK ARM COLORS 1 2 3

Items with Blue call-outs require the powder coat frame color to be listed within the order notes. Add 'No Clear' after color - IE. Platinum No Clear

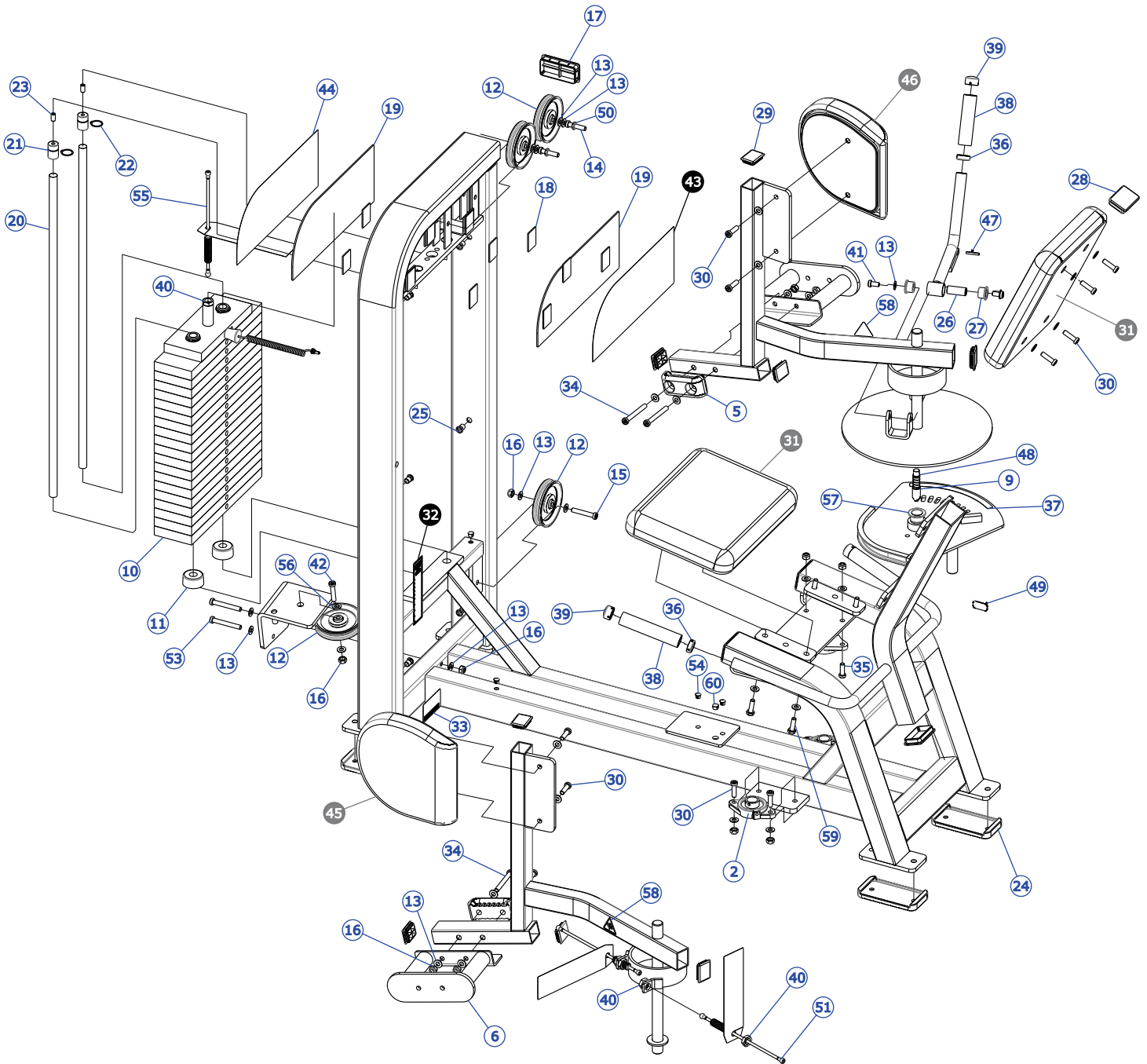
POWDER COATED COMPONENTS



ITEM NO.	QTY.	PART NO.	DESCRIPTION
1	1	POSSIBLE RMA	WLDMT, PSHAB/HAD MAIN FRAME
2	1	7551299	WLDMT, PIVOT ARM RIGHT PSHAD
3	1	7551499	WLDMT, PIVOT ARM LEFT PSHAD
4	1	7551399	WLDMT, CAM PSHAD
5	1	7551599	WLDMT, ADJUST HANDLE PSHAD/HAB
6	1	7573899	WLDMT, PSHAD/HAB PULLEY BRKT

ITEMS ON THIS PAGE ARE POWDER COAT PAINTED. REFER TO PAGE 2 FOR ORDERING INSTRUCTIONS.

COMPONENT ASSEMBLY

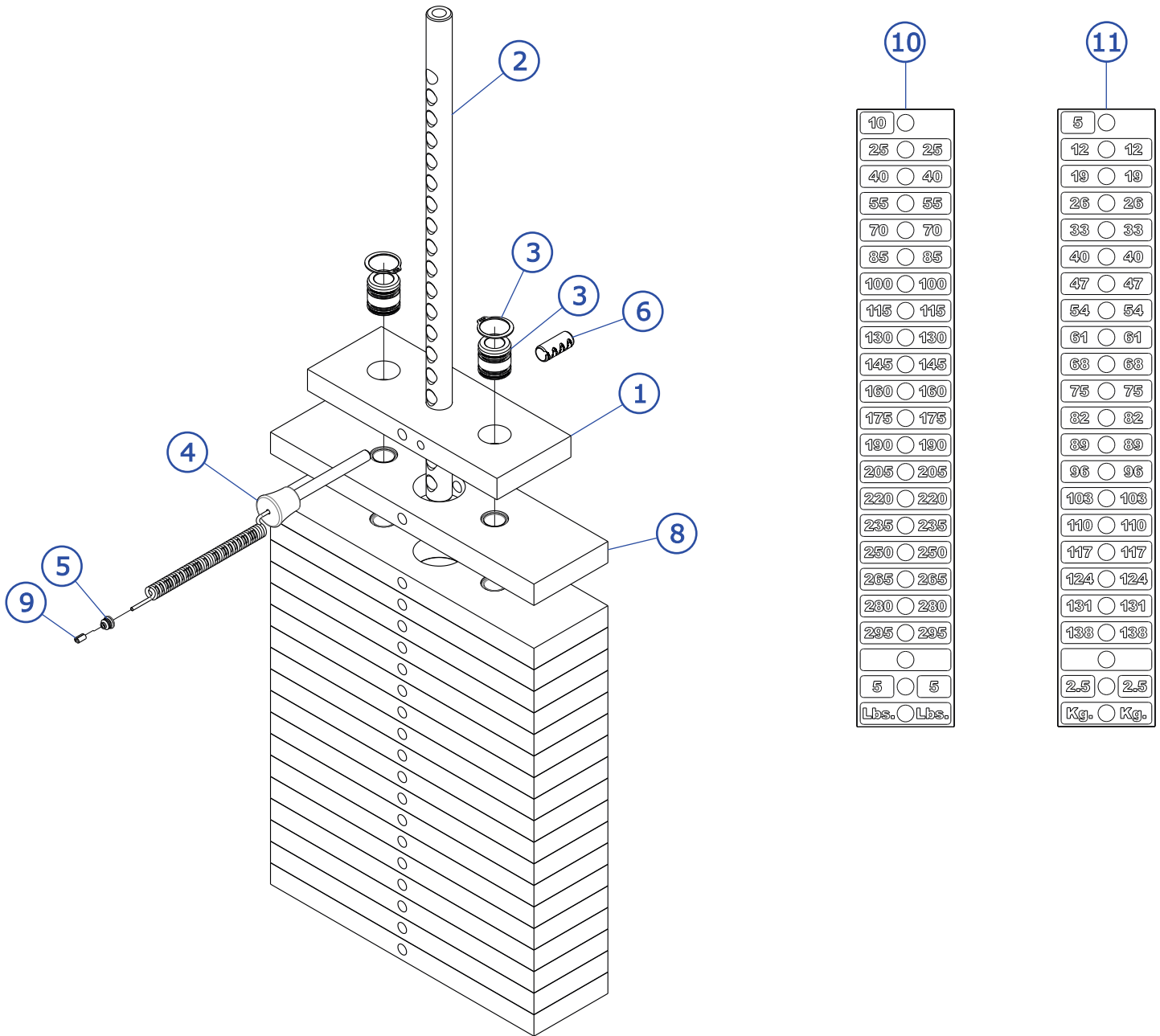


SEE PAGE 5 FOR TABLE

COMPONENT ASSEMBLY LEGEND

ITEM NO.	QTY.	PART NO.	DESCRIPTION
2	4	3237701	ASSY, PILLOW BLOCK 4.88 X 2.75
5	2	7352001	BUMPER, 2-1/8 X 4-5/8
6	2	7551101	WLDMT, FOOT SUPPORT
9	1	7549901	PIN, SPRING PSHAD/HAB
10	1	-	ASSY, 300LB STACK
11	2	7352101	CUSHION, WEIGHT STACK
12	4	3237801	PULLEY, 4.5" OD
13	41	3236601	WASHER, 3/8 SAE SS
14	2	3236206	SCREW, M10 X1.5 45MM
15	1	3236209	SCREW, M10 X1.5 60MM
16	16	3236801	NUT, M10 HEX NYLOCK SS
17	1	9462701	CAP, HAMMER, END 2 X 4
18	12	7544202	PAD, DUAL LOCK 250 1.5" X 2.0"
19	2	9169401	COVER, STACK-PRO2 STD
20	2	7328614	GUIDE ROD, .75 OD SOLID 35.38
21	2	7402301	RETAINER, GUIDEROD
22	2	3232421	RING, BRE .940, 5100-100 ST PP B
23	2	3240501	M10 X 1.5 HXS NO CUP ST BO
24	4	7388201	FOOTPAD, PS RUBBER
25	6	3238601	M10X1.5 BLIND THREADED INSERT (HEX)
26	1	7324802	SHAFT, TAPPED 0.75 DIA X 1.800
27	2	3104901	.75" ID 1.00" OD BRONZE BUSHING
28	4	7352301	CAP, END 2 X 3
29	8	9217401	CAP, 1.5IN X 2IN -10-14GA, END
30	12	3236204	SCREW, M10 X1.5 35MM
31	2	7422199	PAD, BACK 15 X 11-1/4
32	1	8220099	LABEL, ASTM WARNING SELECT
33	1	7571301	LABEL, SERIAL NUMBER, BLANK
34	4	3236214	SCREW, M10 X1.5 85MM
35	4	3236203	SCREW, M10 X1.5 30MM
36	3	7662801	RING, GRIP 1.25 OD
37	1	7806001	LABEL, PSHAD 1-9 CURVED
38	3	3235801	GRIP, OPEN END
39	3	7662901	CAP, GRIP 1.25 OD
40	5	3236902	NUT, HEX JAM M16 X 2 SS
41	2	3236201	SCREW, M10 X1.5 20MM
42	1	3236207	SCREW, M10 X1.5 50MM
43	1	9468299	LABEL, PSHAD PLACARD
44	1	9468301	LABEL, PSHAD LOGO PANEL
45	1	7549599	PAD, HIP ADDUCTOR LH
46	1	7549699	PAD, HIP ADDUCTOR RH
47	1	3110011	ROLL PIN, 3/16 X 1-1/4
48	1	7351501	SPRING, PULL PIN LARGE
49	1	7570801	GUARD, PAINT 1.25"x.75"x.25"
50	2	3236901	NUT, HEX JAM M10 X 1.5 SS
51	2	7573701	CABLE, PSHAD/HAB
53	2	3236212	SCREW, M10 X1.5 75MM
54	17	3237401	PLUG, 7/16" HOLE
55	1	7423712	CABLE, PSHAD/HAB
56	1	7348101	WASHER, SPACER
57	2	3104903	1.00" ID 1.25" OD BRONZ BUSHING
58	2	8039501	LABEL, WARNING, TRIANGLE
59	4	3251204	SCREW, M10 X1.5 X 35MM UNS HEX CS ST ZN
60	1	3237402	PLUG, 1/2" HOLE

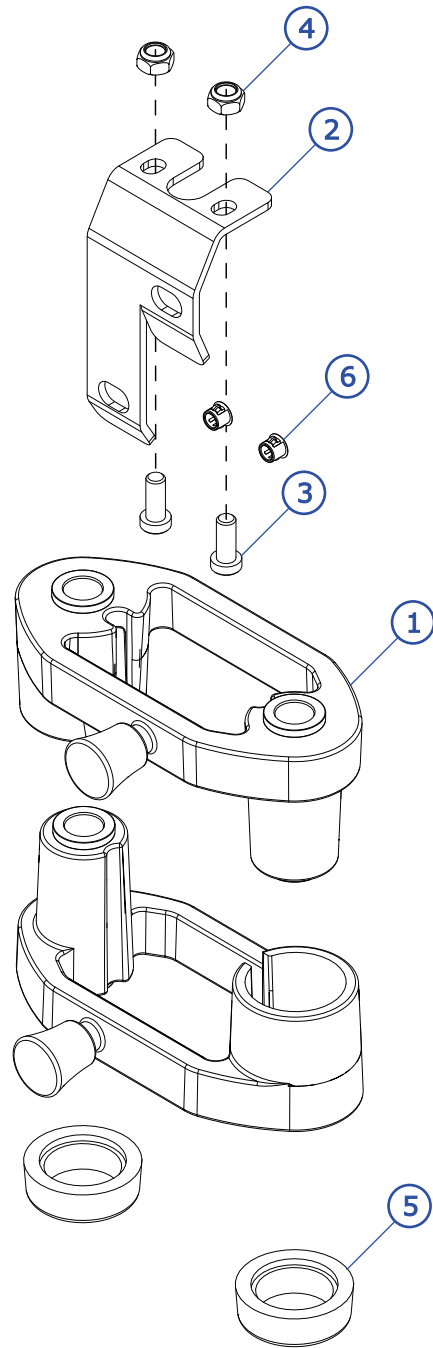
WEIGHT STACK ASSEMBLY



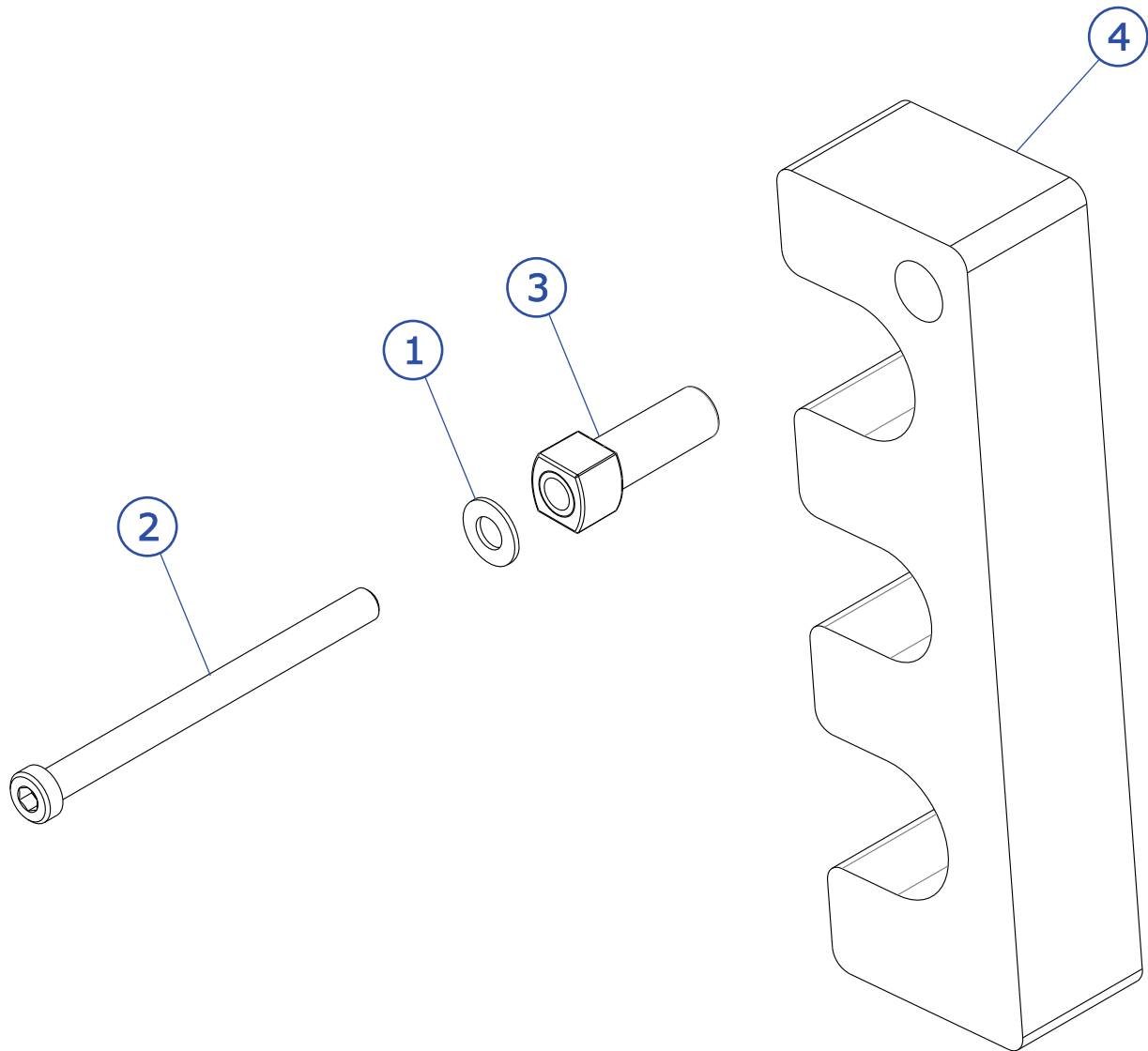
ITEM NO.	QTY.	PART NO.	DESCRIPTION
1	1	7353901	HEADPLATE, WT. STACK
2	1	7356601	STEM, PRO2 19 HOLE
3	2	7338001	BUSHING, HEADPLATE
4	1	7353001	ASSY, SELECTOR PIN
5	1	7356501	PLUG, LANYARD ATTACHMENT
6	1	3236001	BUSHING, SPRING PIN
8	19	7353801	ASSY, 15 LB PLATE
9	1	7523601	CRIMP, CABLE
10	1	7987201	LABEL, 300 LB STACK
11		7987401	LABEL, 138 KG STACK

INCREMENT WEIGHT ASSEMBLY

SE TRIM

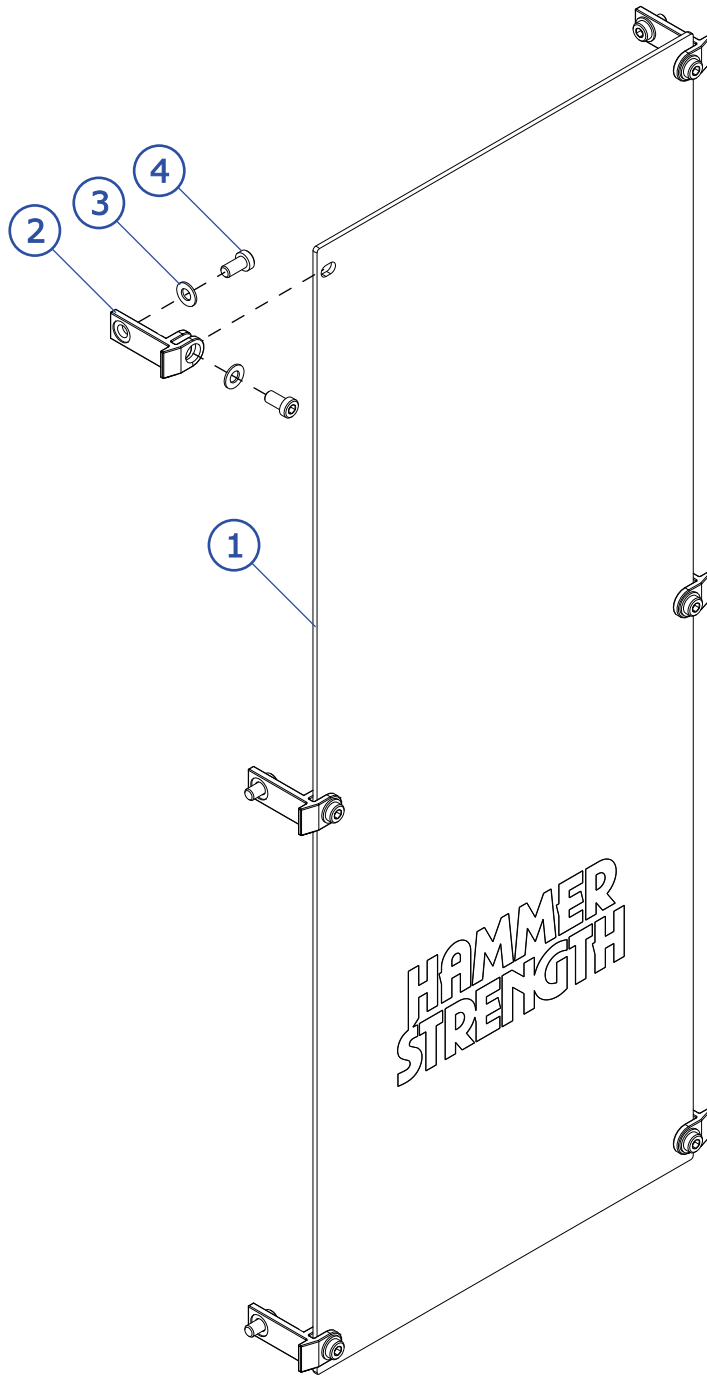


ITEM NO.	QTY.	PART NO.	DESCRIPTION
1	2	8047001	ASSY, PS, INCREMENT WEIGHT
2	1	8700801	PLATE, INCREMENT WEIGHT STRIKER
3	2	3236202	M10 X 1.5 X 25 SHCS, LOW HEAD
4	2	3236801	NUT, NYLOCK M10 X 1.5 SS
5	2	7767601	BUMPER, PS INCREMENT
6	2	3237401	PLUG, 7/16" HOLE



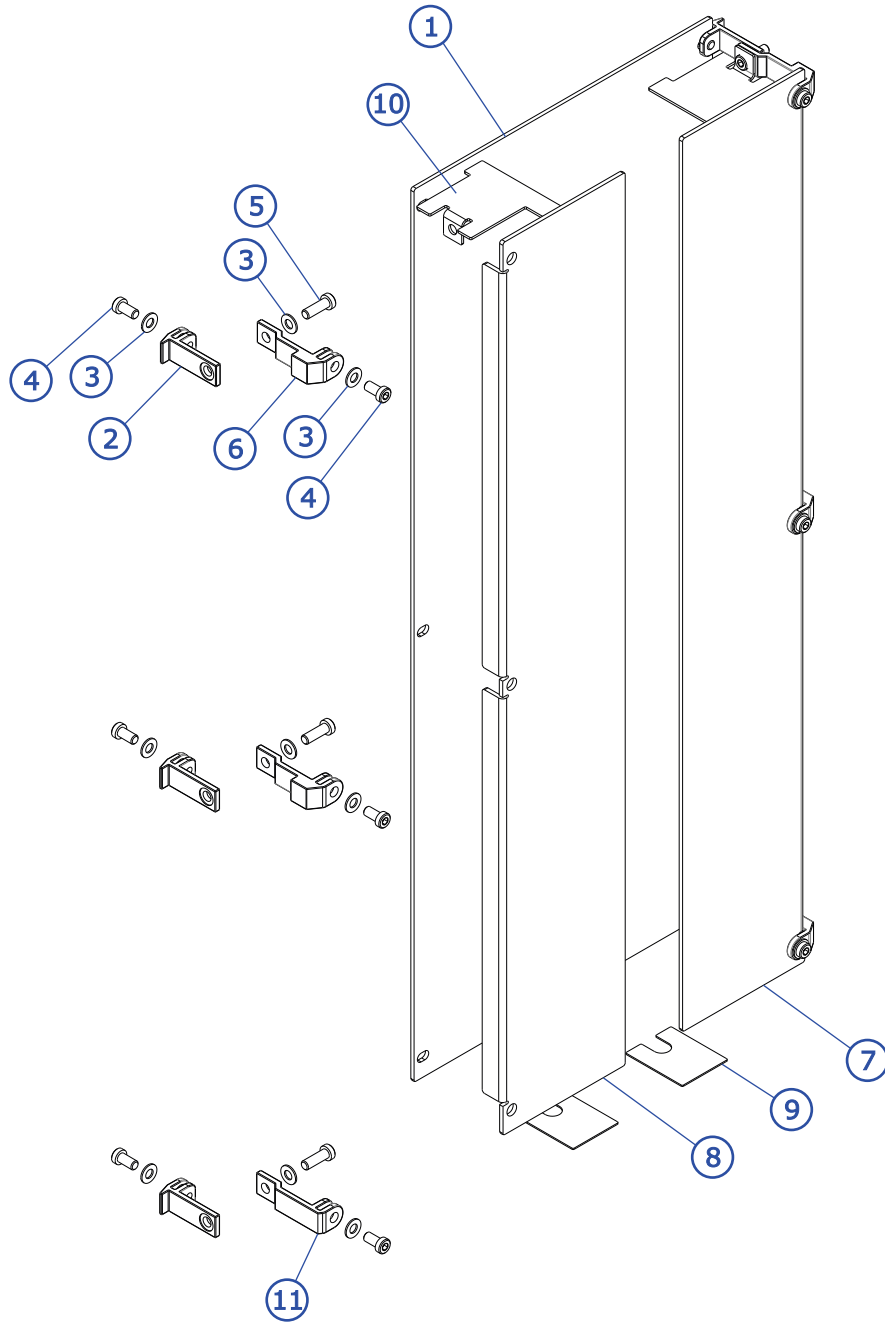
ITEM NO.	QTY.	PART NO.	DESCRIPTION
1	1	3236601	WASHER, 3/8 SAE SS
2	1	3236220	SCREW, M10 X1.5 130MM
3	1	7401701	COVER, PLASTIC PEG
4	1	7366101	WEIGHT, 7.5 LB. ADD-ON

REAR SHROUD ASSEMBLY



ITEM NO.	QTY.	PART NO.	DESCRIPTION
1	1	9475701	SHROUD, HS REAR 42.50 X 16.43
2	6	7655301	BRACKET, PS REAR SHIELD
3	12	3236601	WASHER, 3/8 SAE SS
4	12	3236201	SCREW, M10 X1.5 20MM

FULL SHROUD ASSEMBLY



ITEM NO.	QTY.	PART NO.	DESCRIPTION
1	1	9475701	SHROUD, HS REAR 42.50 X 16.43
2	6	7655301	BRACKET, PS REAR SHIELD
3	18	3236601	WASHER, 3/8 SAE SS
4	12	3236201	SCREW, M10 X1.5 20MM
5	6	3236203	SCREW, M10 X1.5 30MM
6	5	7376601	BRACKET, PS FRONT SHIELD
7	1	7544101	SHIELD, PSHAB/HAD FRONT RHT
8	1	7582301	SHIELD, PSHAB/HAD FRONT LFT
9	2	7570901	PLATE, PS SHIELD STAND-OFF
10	2	7657401	PLATE, PRO2 SHROUD SPCR
11	1	8328801	BRKT, MOD PSABC FRONT SHIELD