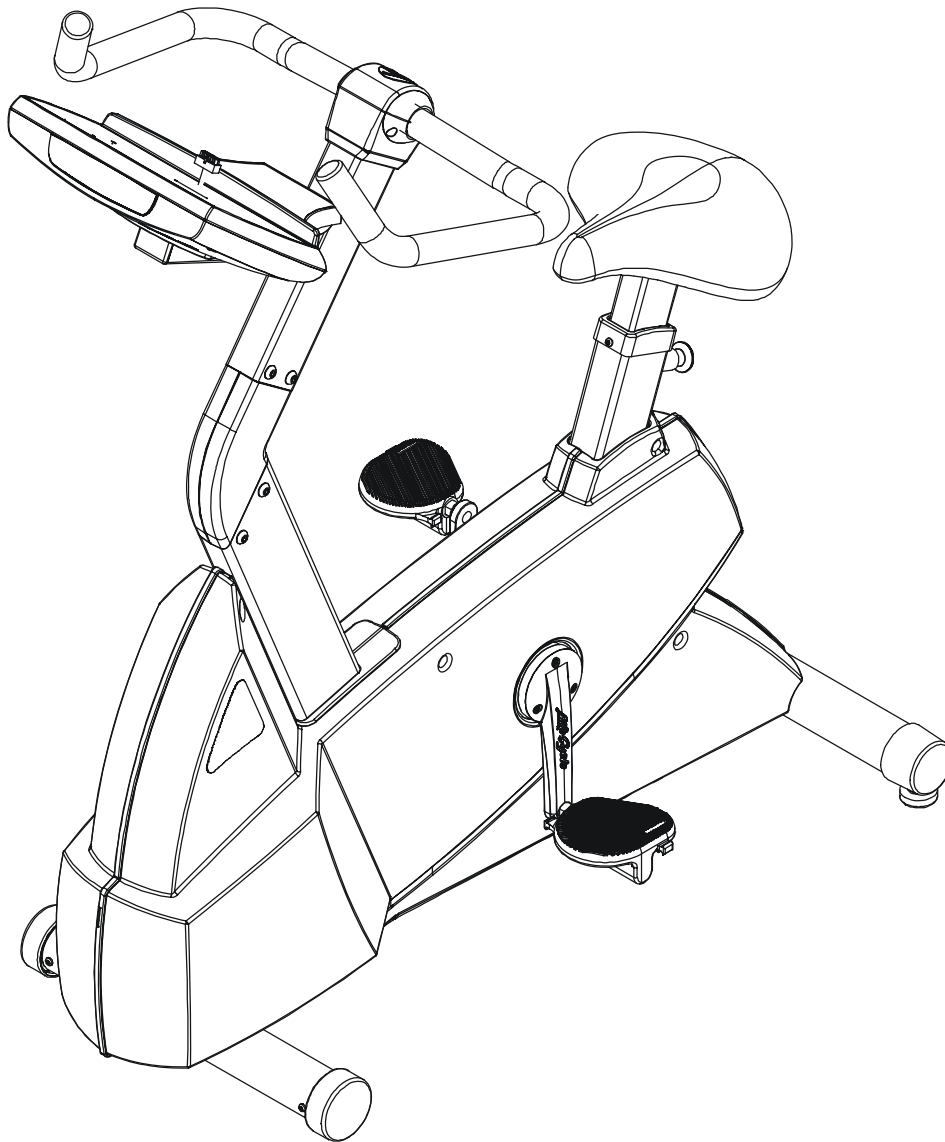


LifeFitness

ARCTIC SILVER 93C Upright Bike



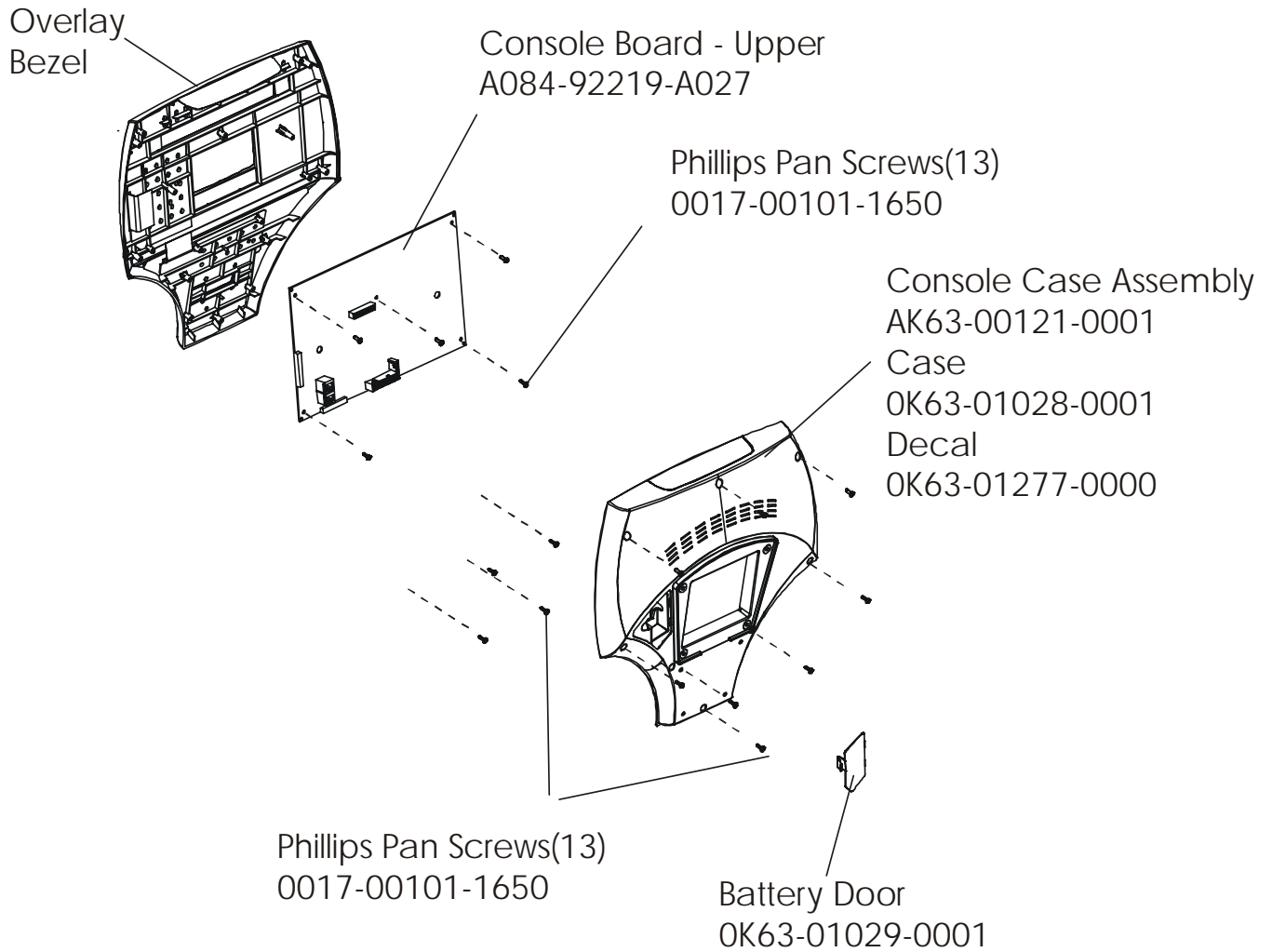
Customer Support Services
PARTS MANUAL rev 29 Apr 2008

MISCELLANEOUS	3
CONSOLE AND RELATED COMPONENTS.....	4
CONSOLE MOUNTING SCREWS AND POLAR COVERS	5
ALTERNATOR W/PULLEY	6
CRANKSHAFT AND BEARING ASSEMBLY	7
INTERMEDIATE SHAFT AND BEARING ASSEMBLY.....	8
SEAT LATCH ASSEMBLY	9
SEAT POST ASSEMBLY	10
SEAT POST SHROUDS.....	11
IDLER BRACKET ASSEMBLY	12
CONSOLE SUPPORT ASSEMBLY	13
LEFT SIDE SHROUD AND CRANKARM	14
RIGHT SIDE SHROUD AND CRANKARM.....	15
PCB MOUNTING BRACKET ASSEMBLY	16
FRONT WHEELS	17
RESISTOR ASSEMBLY.....	18
HANDLEBAR ASSEMBLY.....	19
BELTS.....	20
CABLES	21

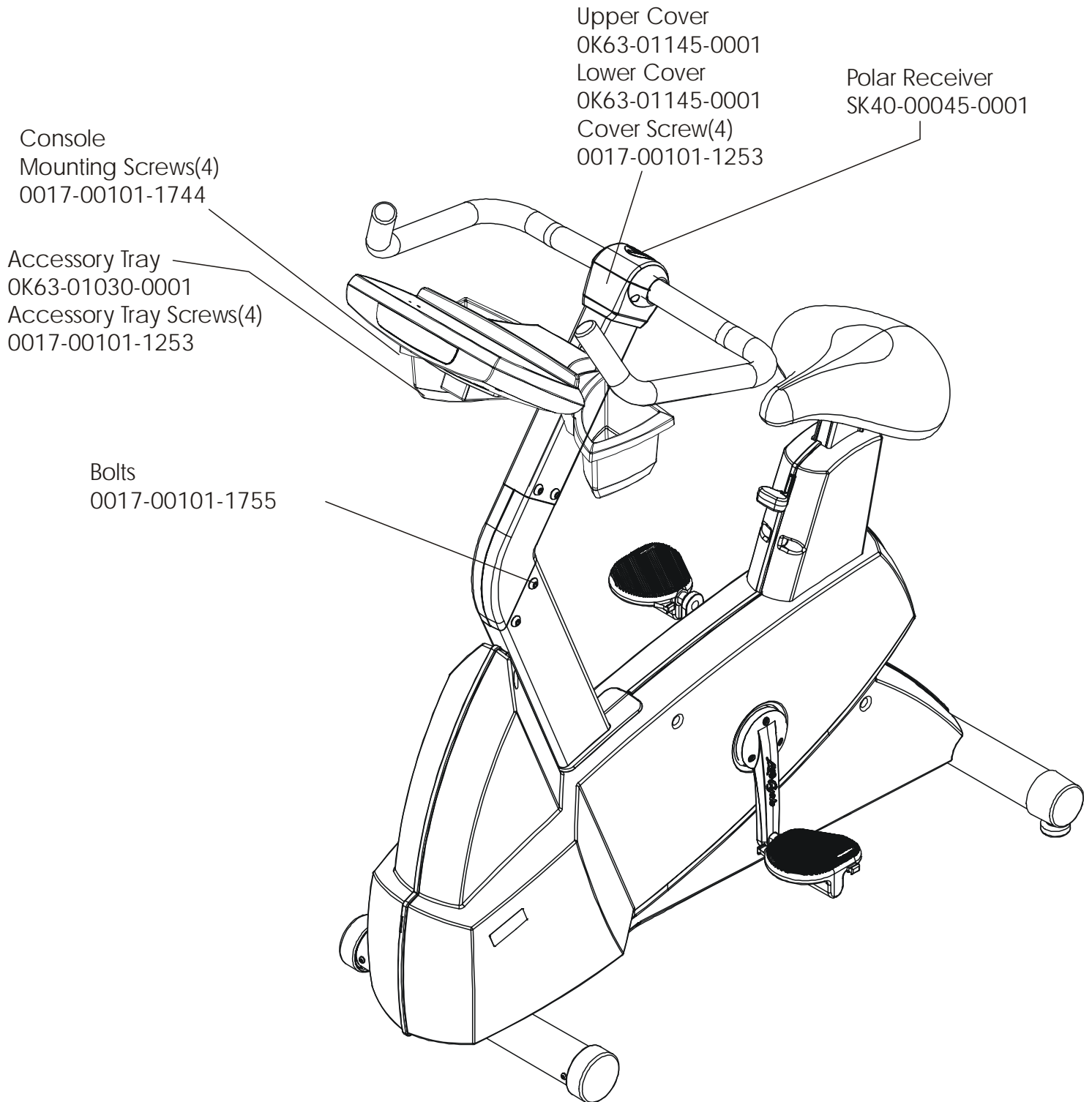
Description	Part No.
OPERATION MANUAL	M051-00K63-A214
HARDWARE BAG	GK63-00002-0044
NETWORK C-SAFE KIT	GK63-00002-0003
TOUCH UP PAINT: SPRAY CAN .5 OZ BOTTLE W/APPLICATOR .33 OZ PEN	0017-00008-0204 0017-00008-0205 0017-00008-0206
BRACKET ASSEMBLY CONSISTS OF: F-TYPE PANEL CONNECTOR	AK63-00215-0000 0017-00021-2846
90" COAX CABLE	AK32-00020-0001
120" POWER EXT CABLE	AK32-00078-0001
SERVICE MANUAL	M051-00K63-A009

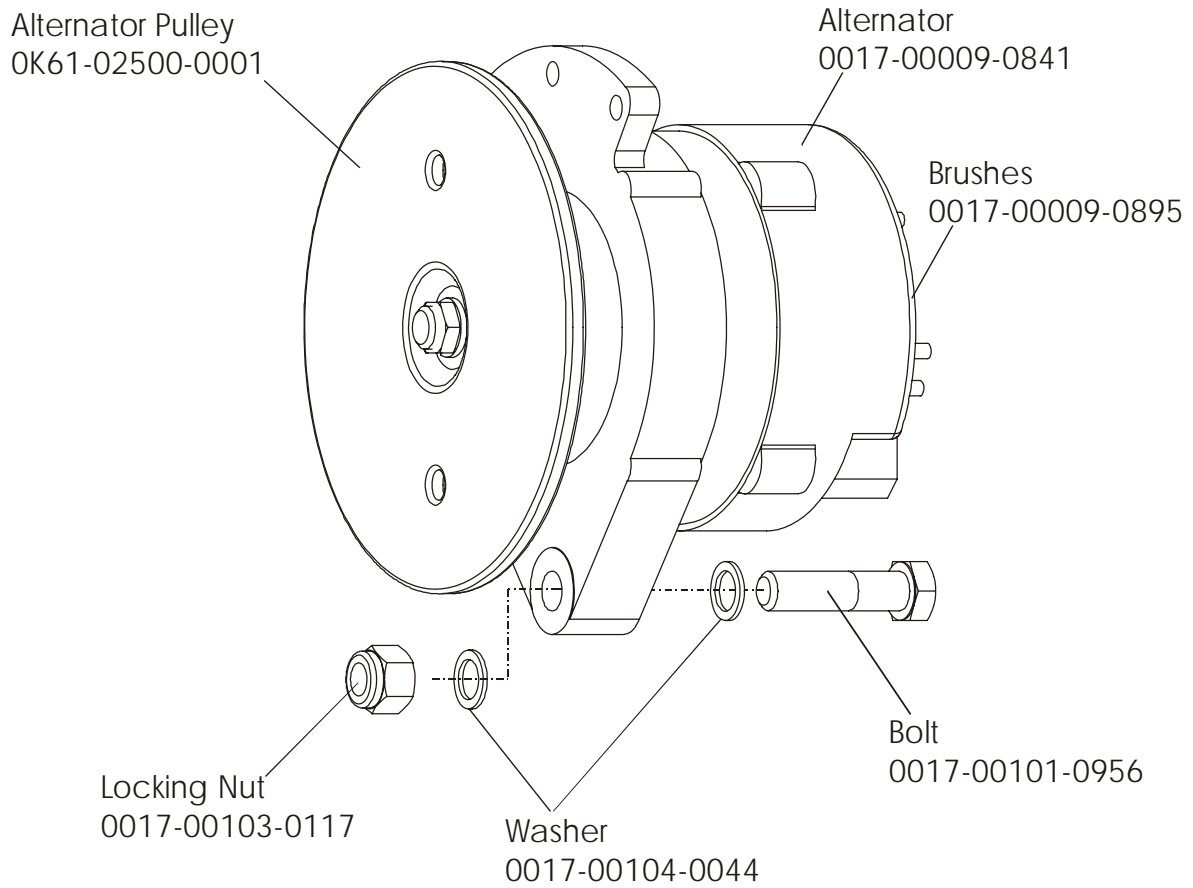
When this model is ordered with an attachable LCD TV it becomes a 93CER-XXXX-04 (alpha code CRE). See the LCD-0XXX-02 Entertainment parts list for the part numbers and descriptions for the LCD TV, remote, and hardware for this product.

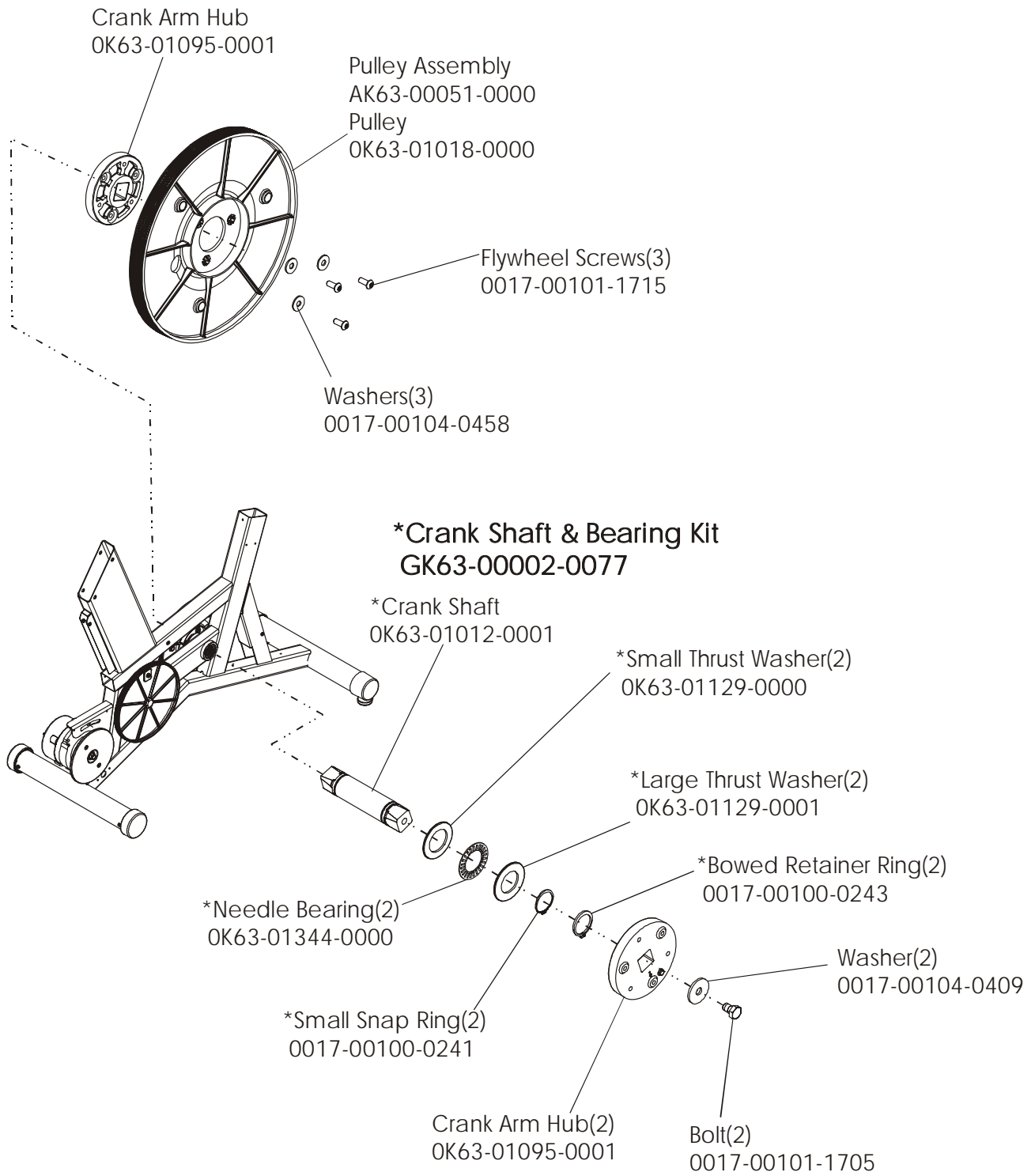
Version 93C-04 has Lifepulse sensors and telemetry for reading heart rate and is pre-wired for attachable LCD TVs.

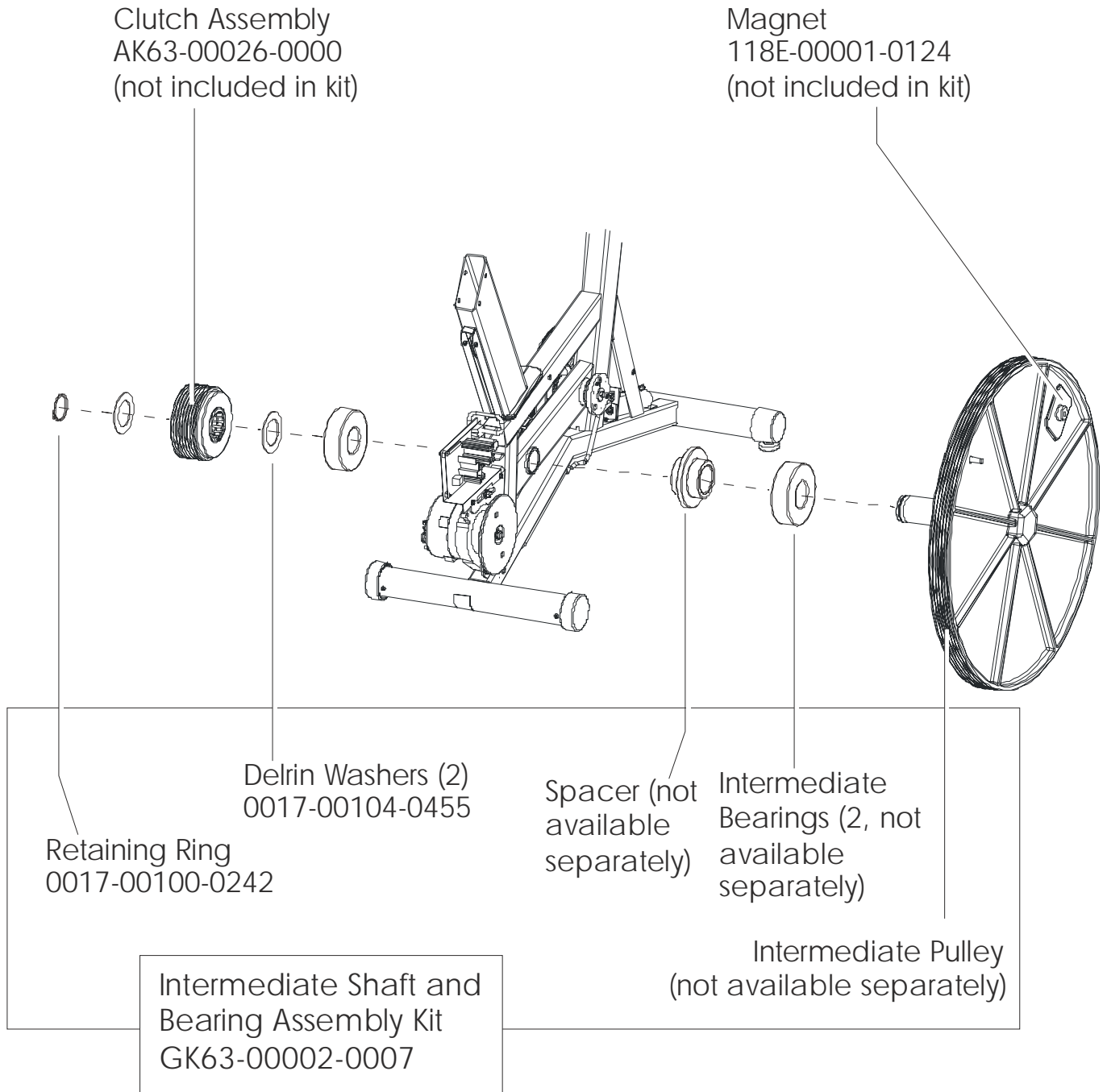


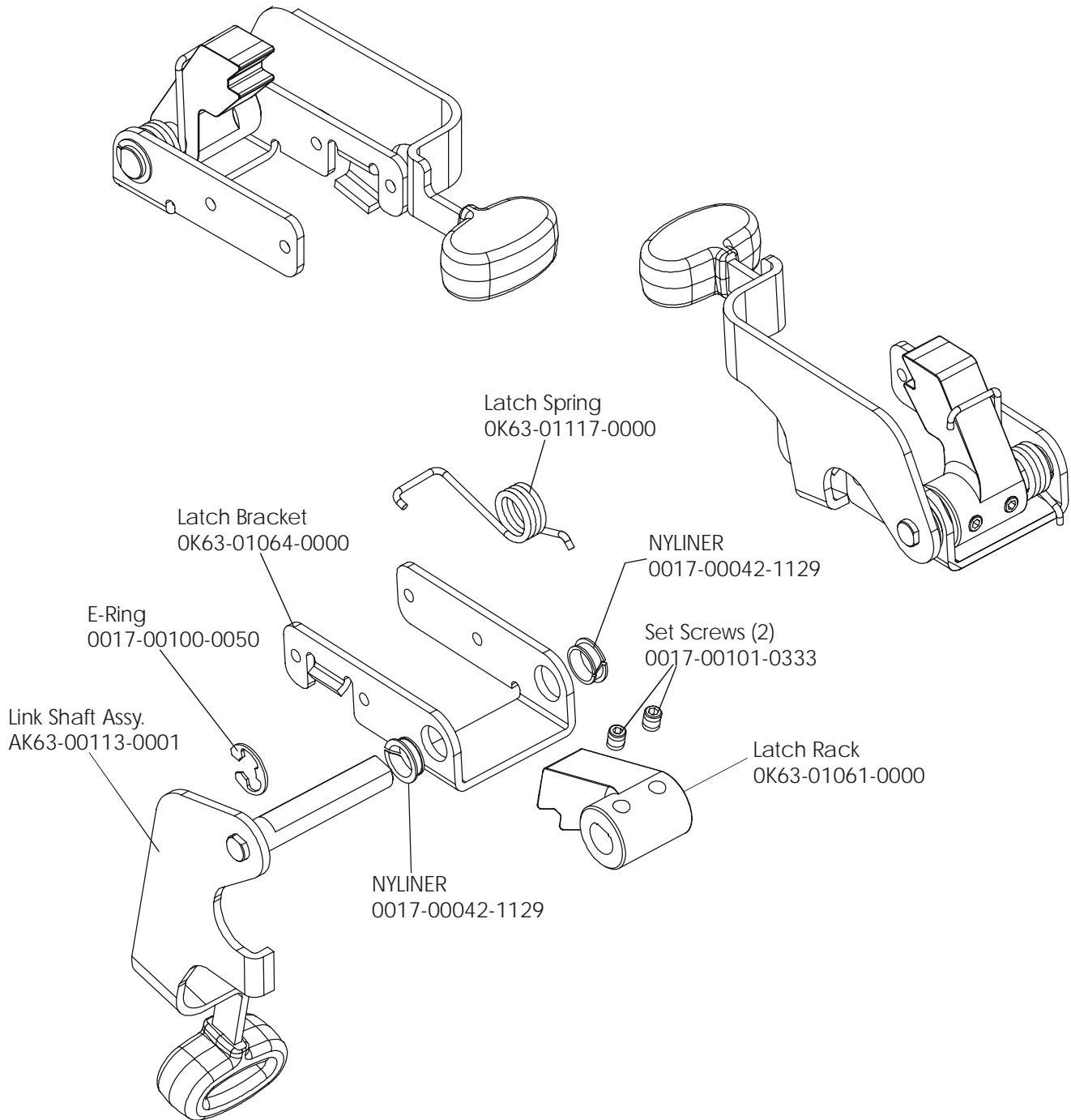
Language	Console Assembly	Bezel/Switch W/Overlay Assembly
Eng Eng	AK63-00289-0001	AK63-00166-0001
Eng Met	AK63-00289-0002	AK63-00166-0001
Ger Met	AK63-00289-0003	AK63-00166-0003
Spn Met	AK63-00289-0004	AK63-00166-0004
Jap Met	AK63-00289-0006	AK63-00166-0006
Frn Met	AK63-00289-0007	AK63-00166-0007
Itl Met	AK63-00289-0008	AK63-00166-0008
Dut Met	AK63-00289-0009	AK63-00166-0009
Por Met	AK63-00289-0010	AK63-00166-0010
Tur Eng	AK63-00289-0014	AK63-00166-0001

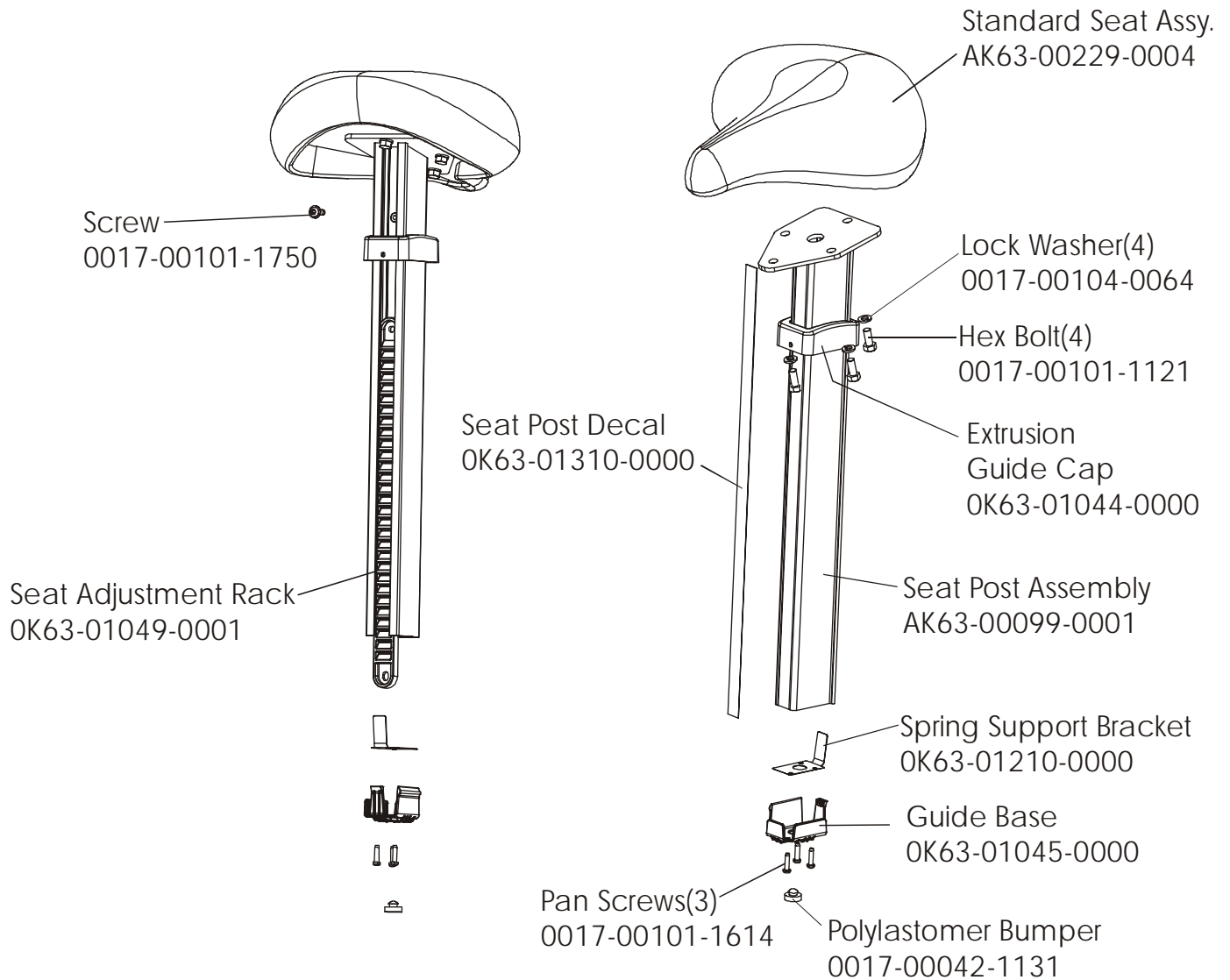


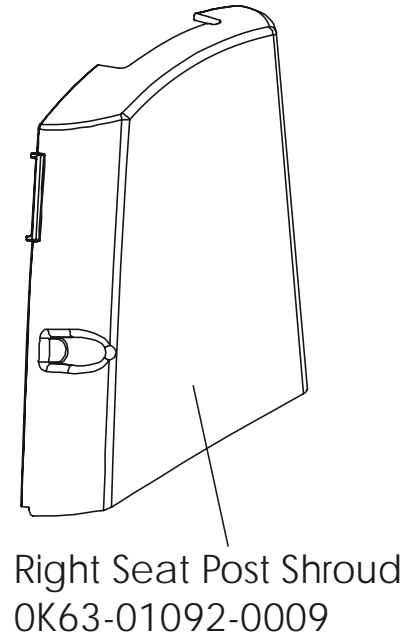
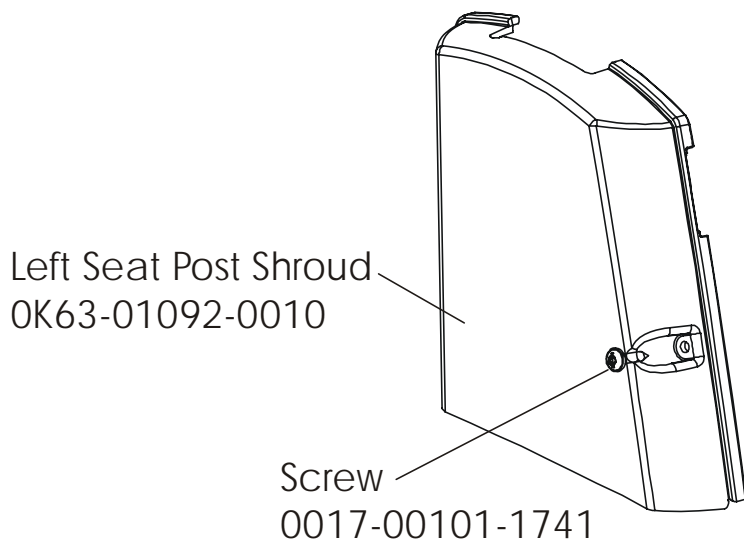


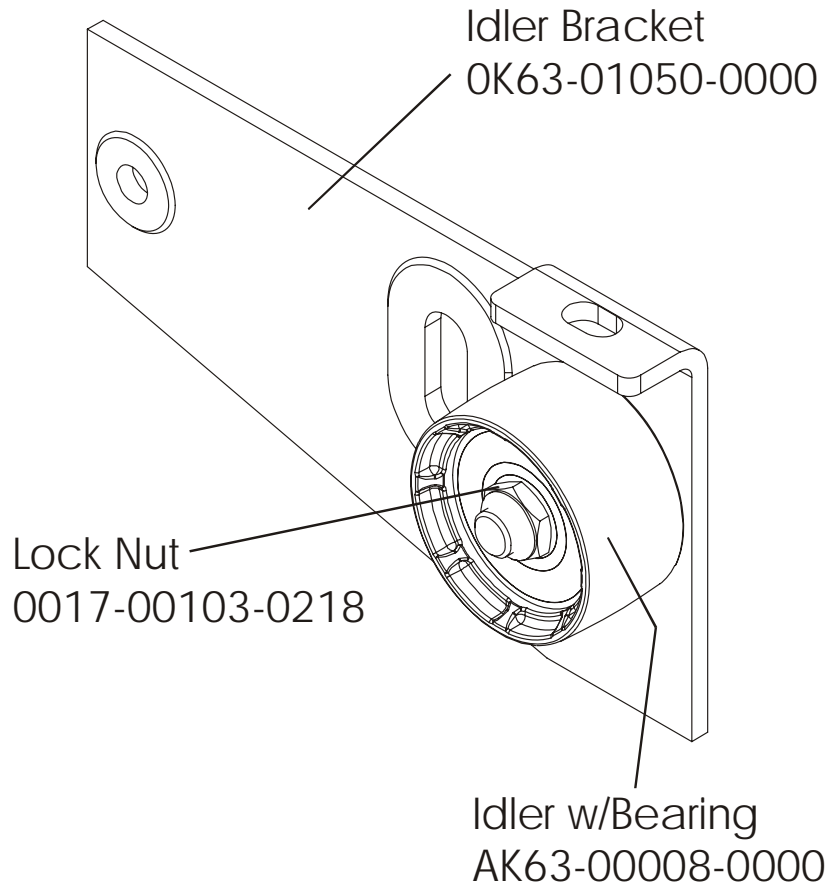


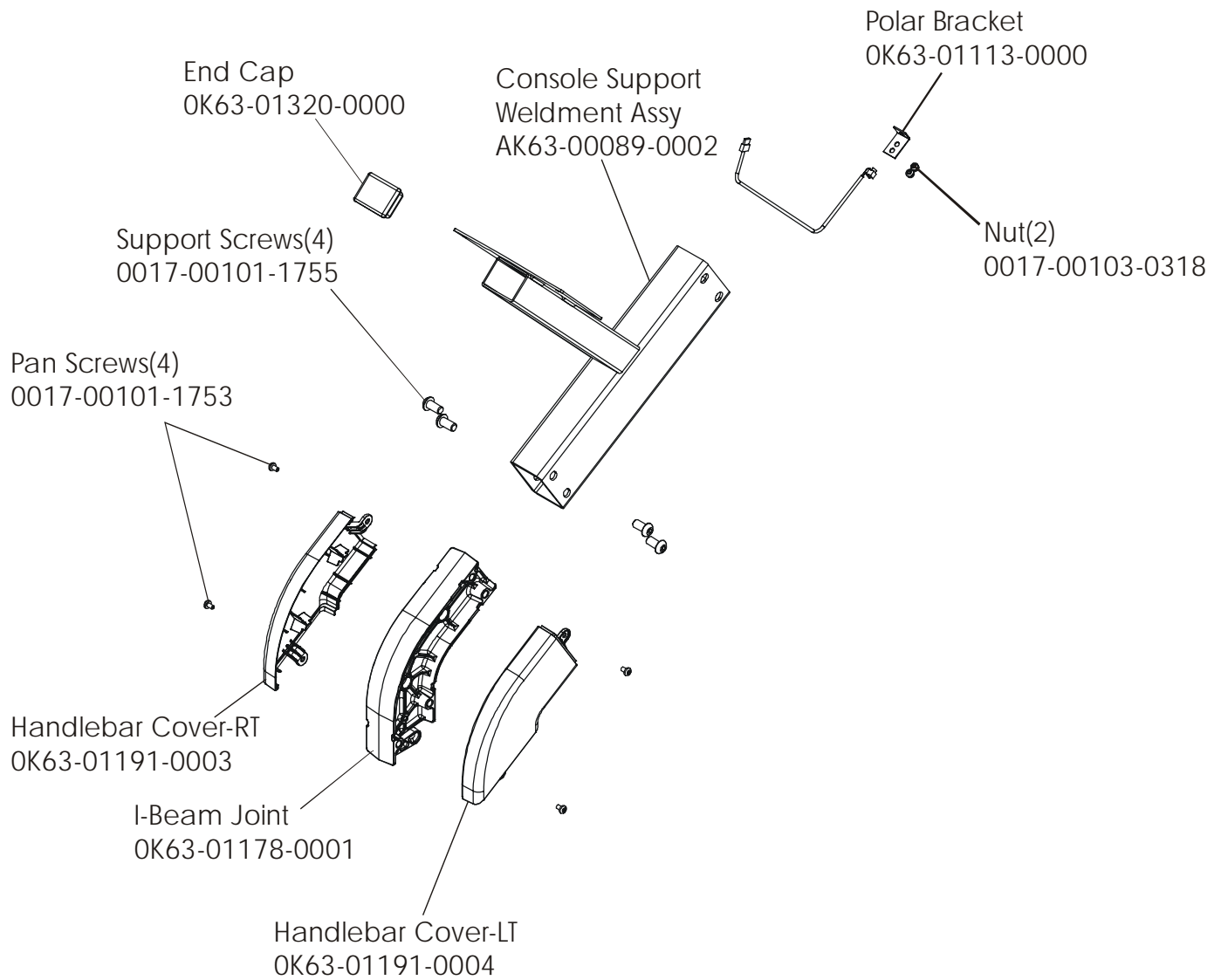


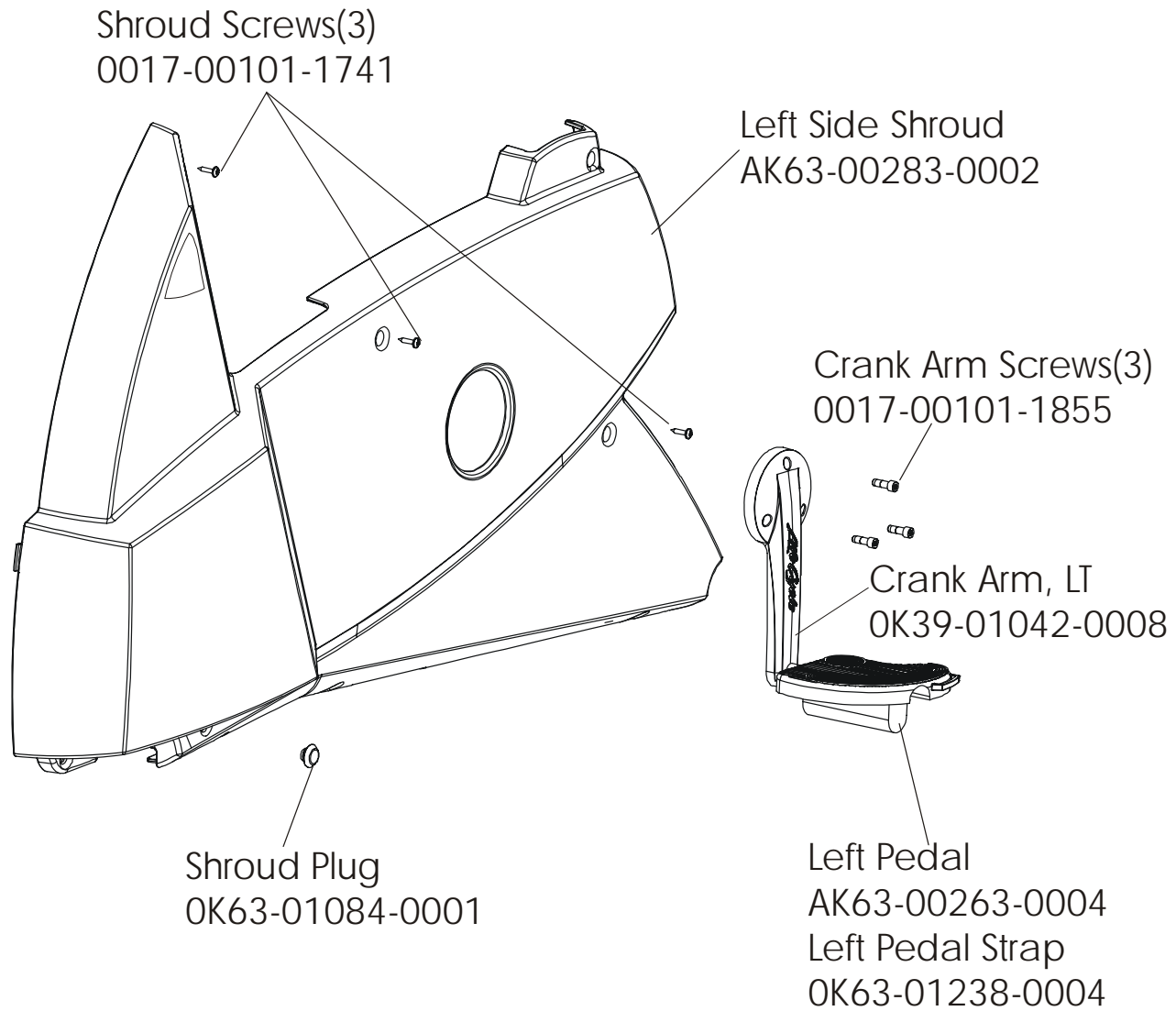


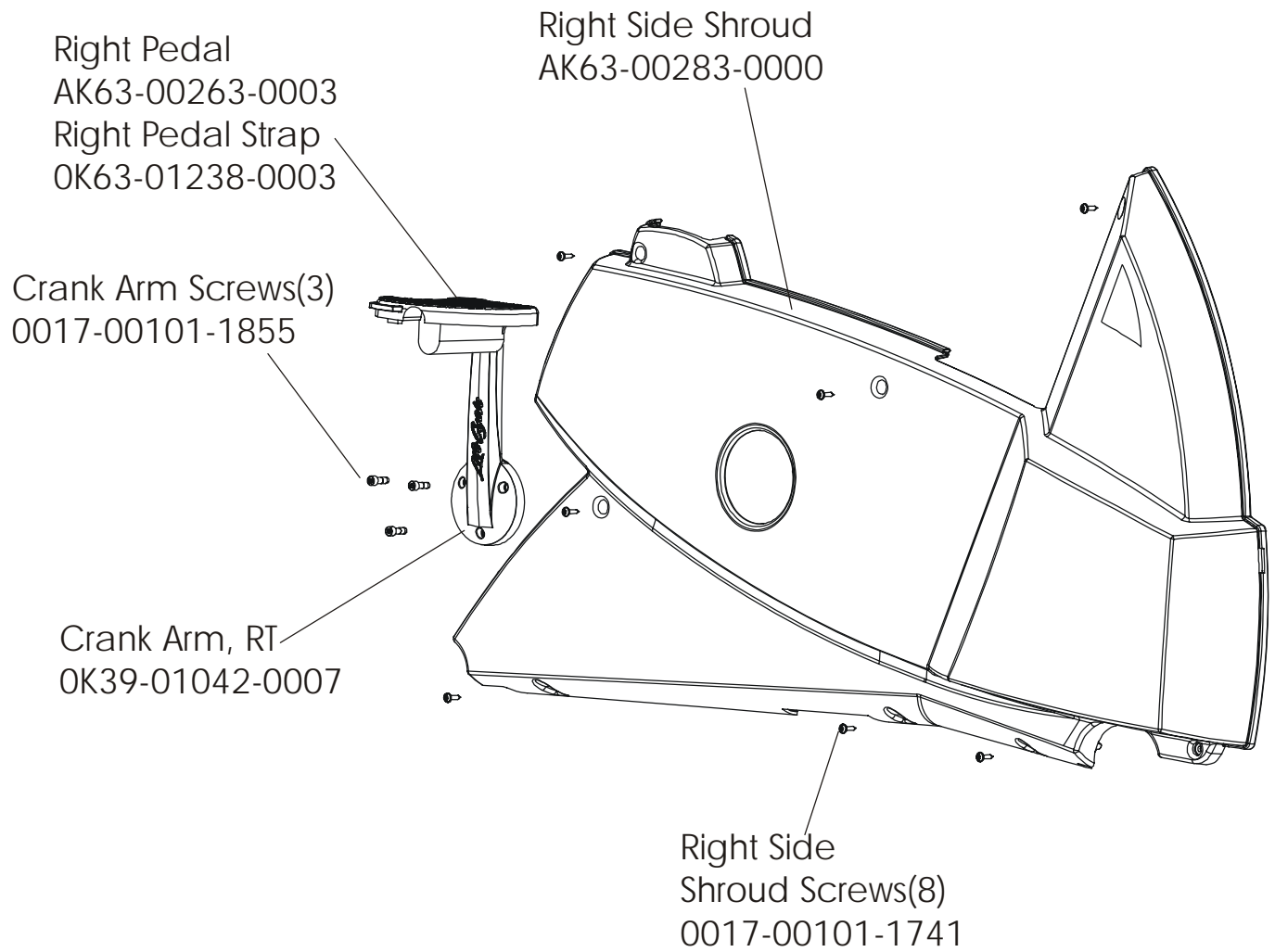




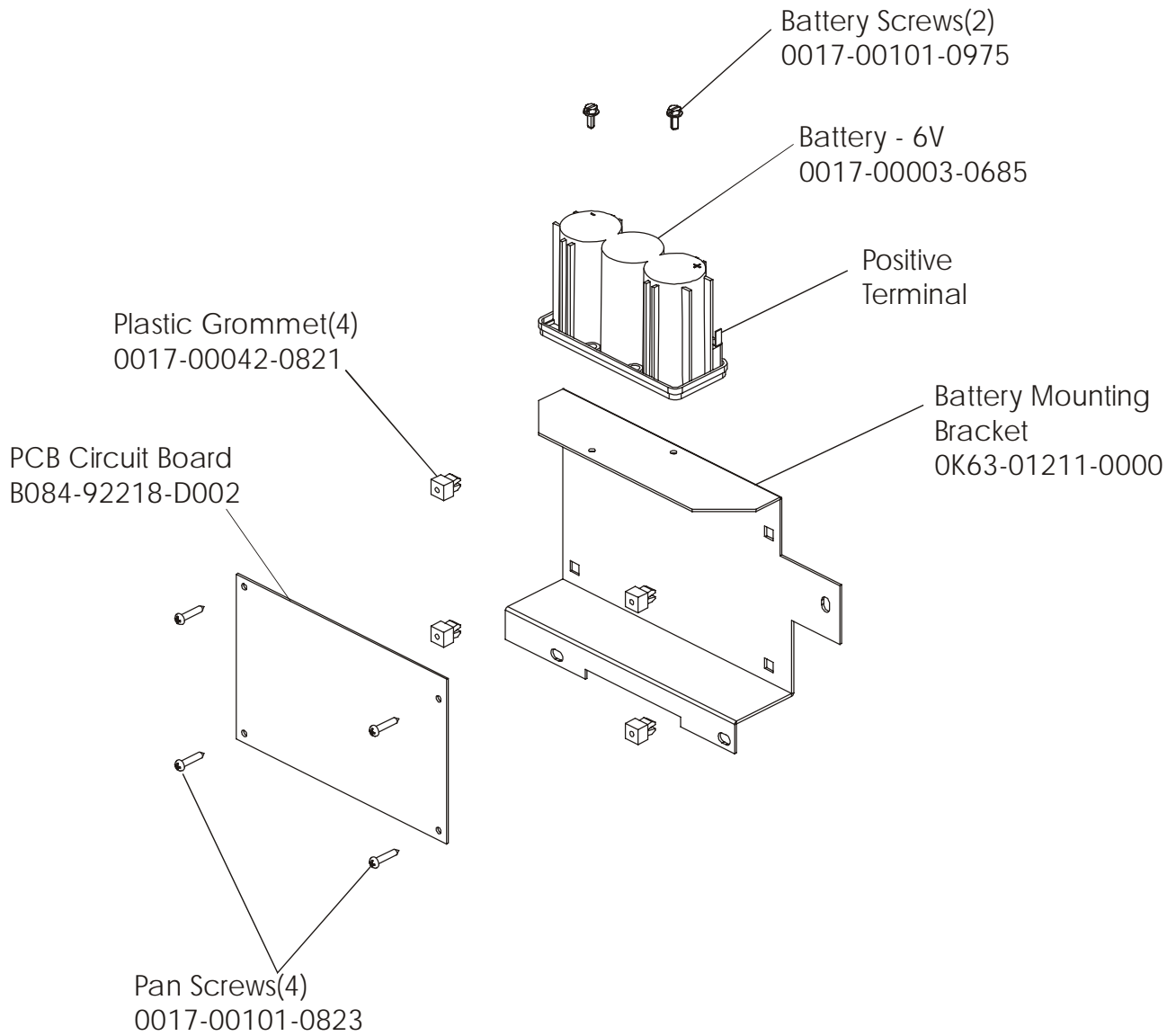


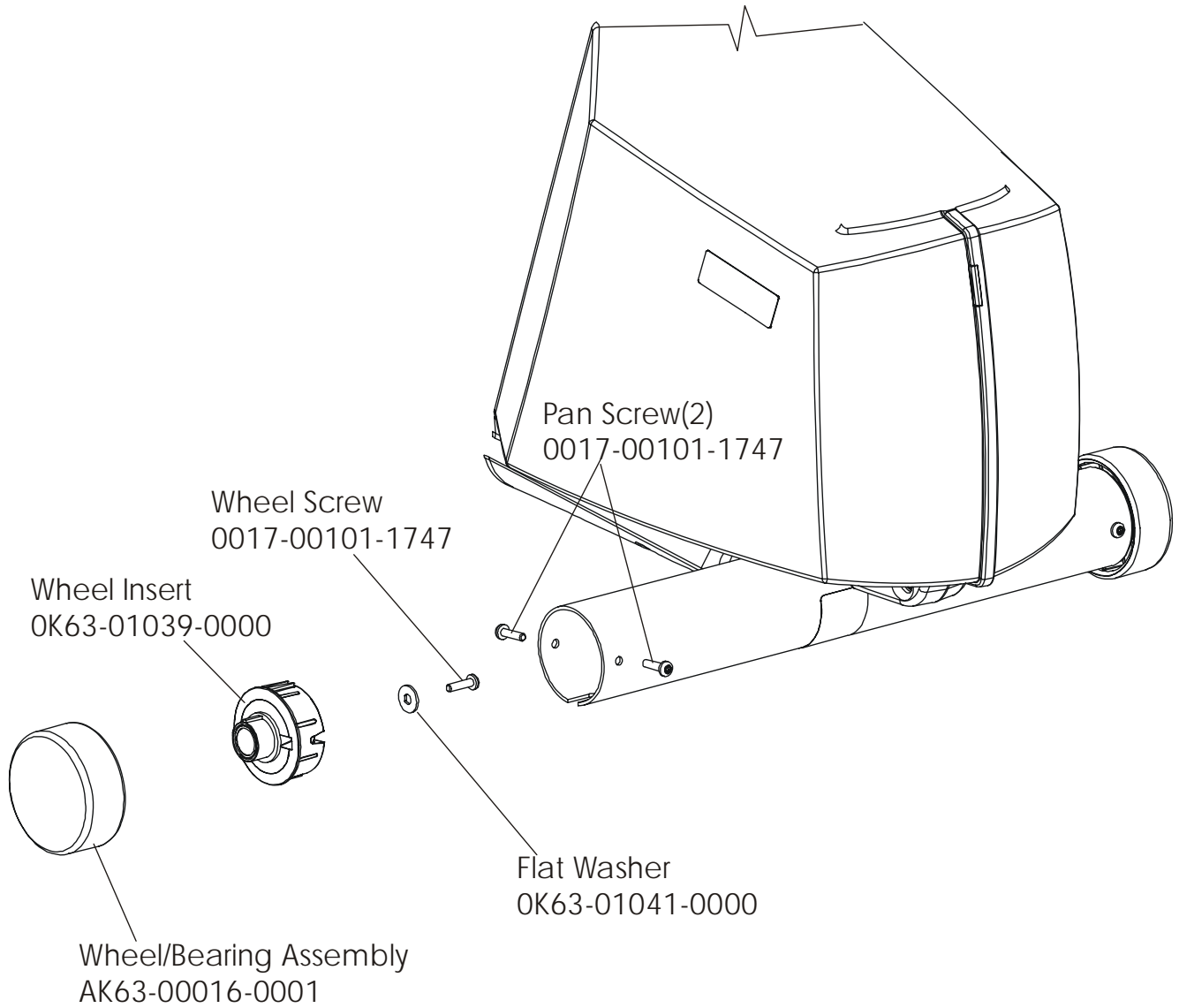


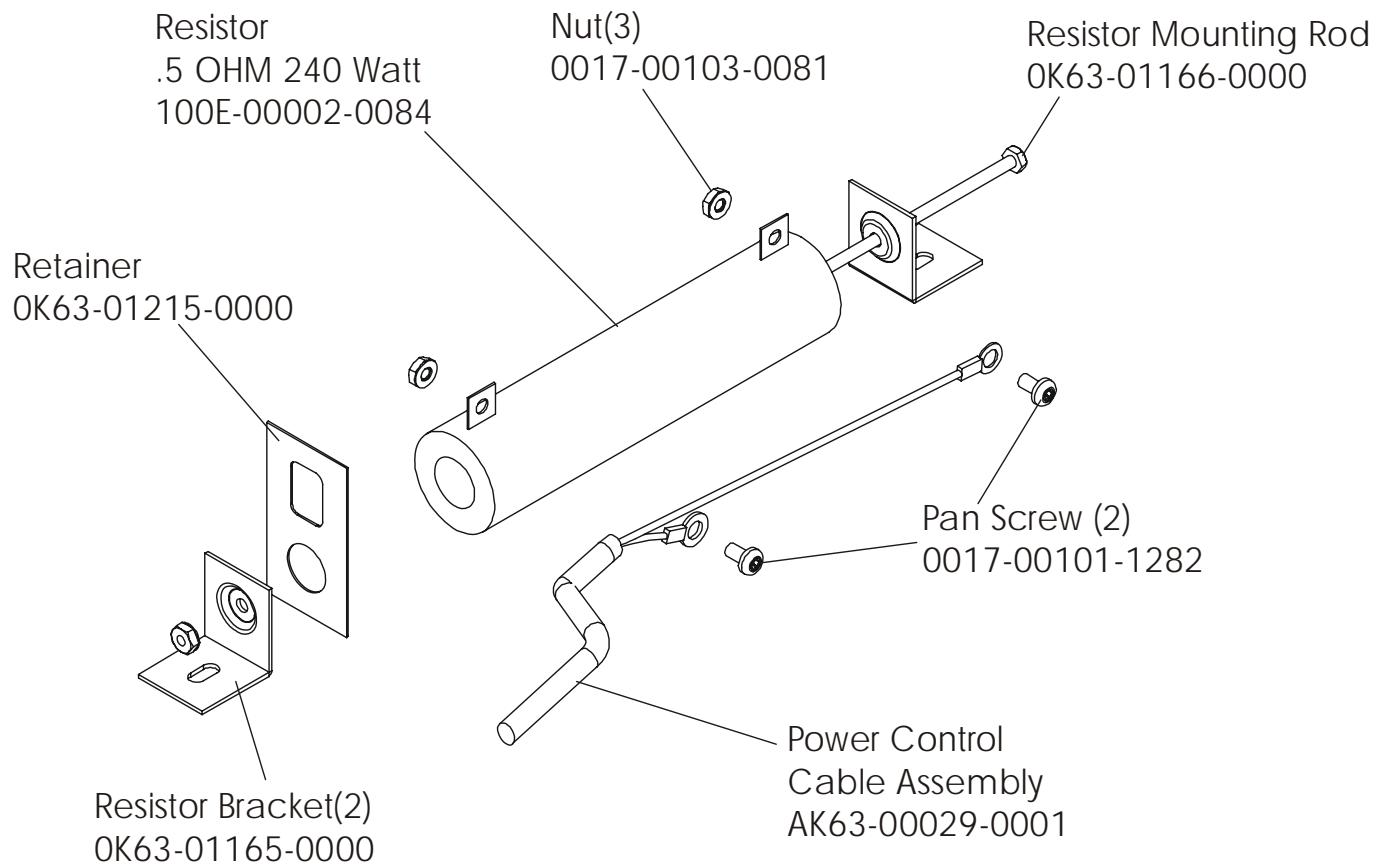


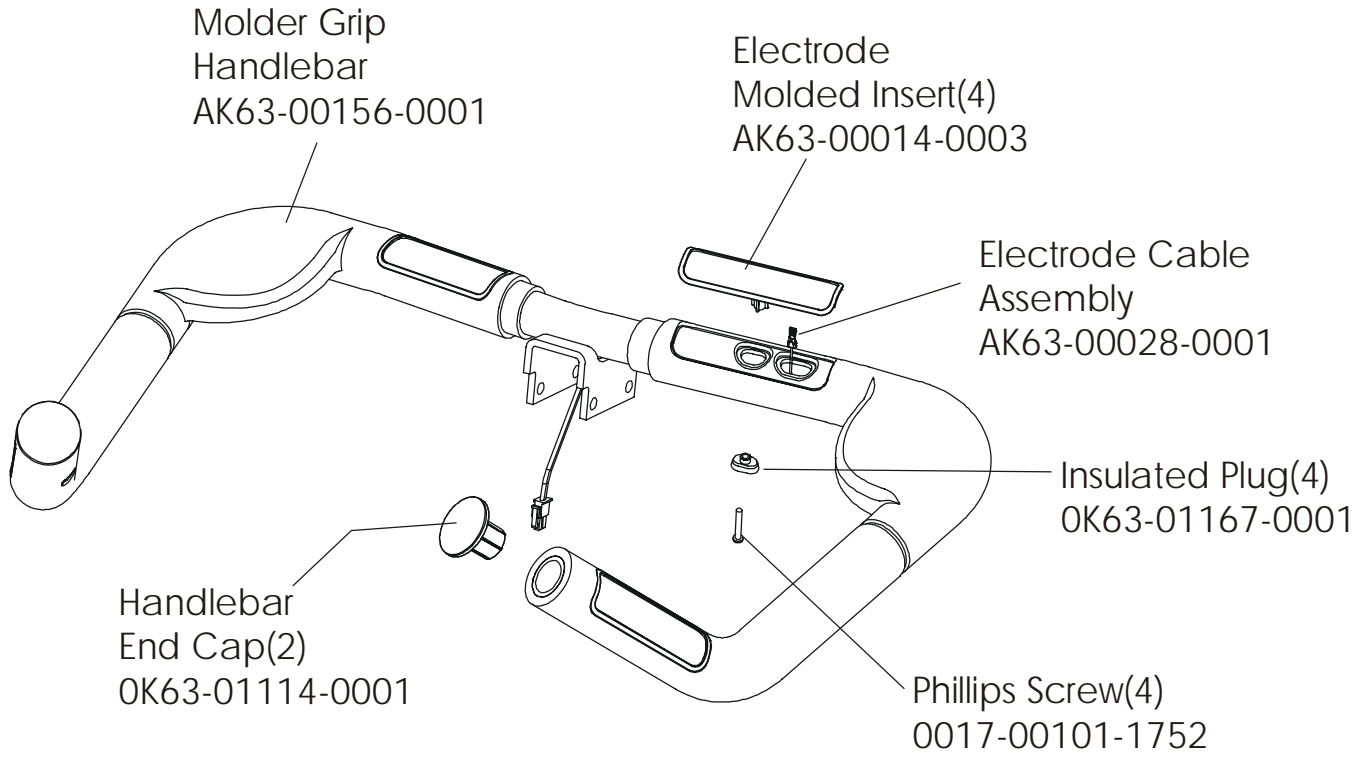


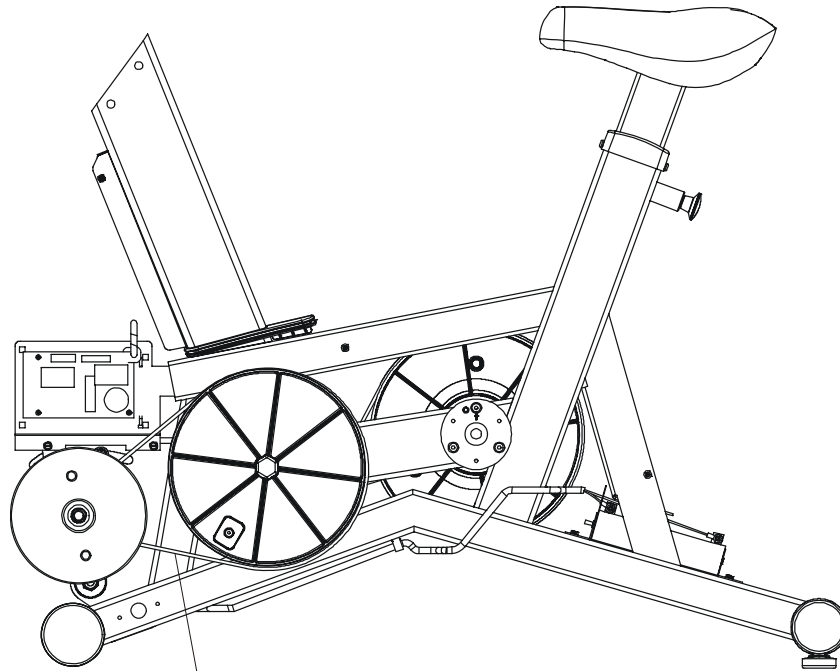
Assembly Number – AK63-00049-0000



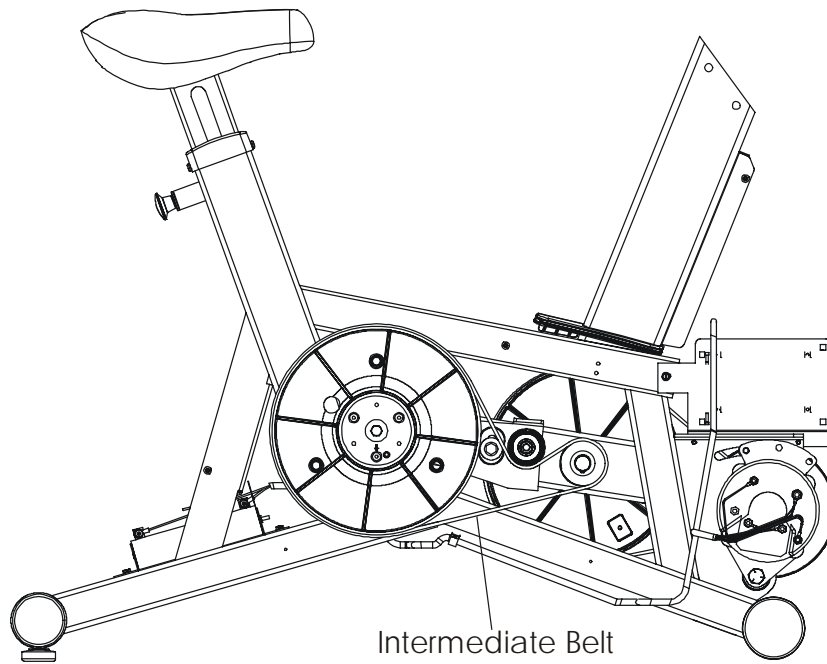








Alternator Belt
OK63-01065-0000



Intermediate Belt
OK63-01066-0001

