

INTEGRITY UPRIGHT LIFECYCLE® EXERCISE BIKE (INCSX, INCDX, INCSC, INCSE, CSLUD)

HUB, CHU, PHU, PDU

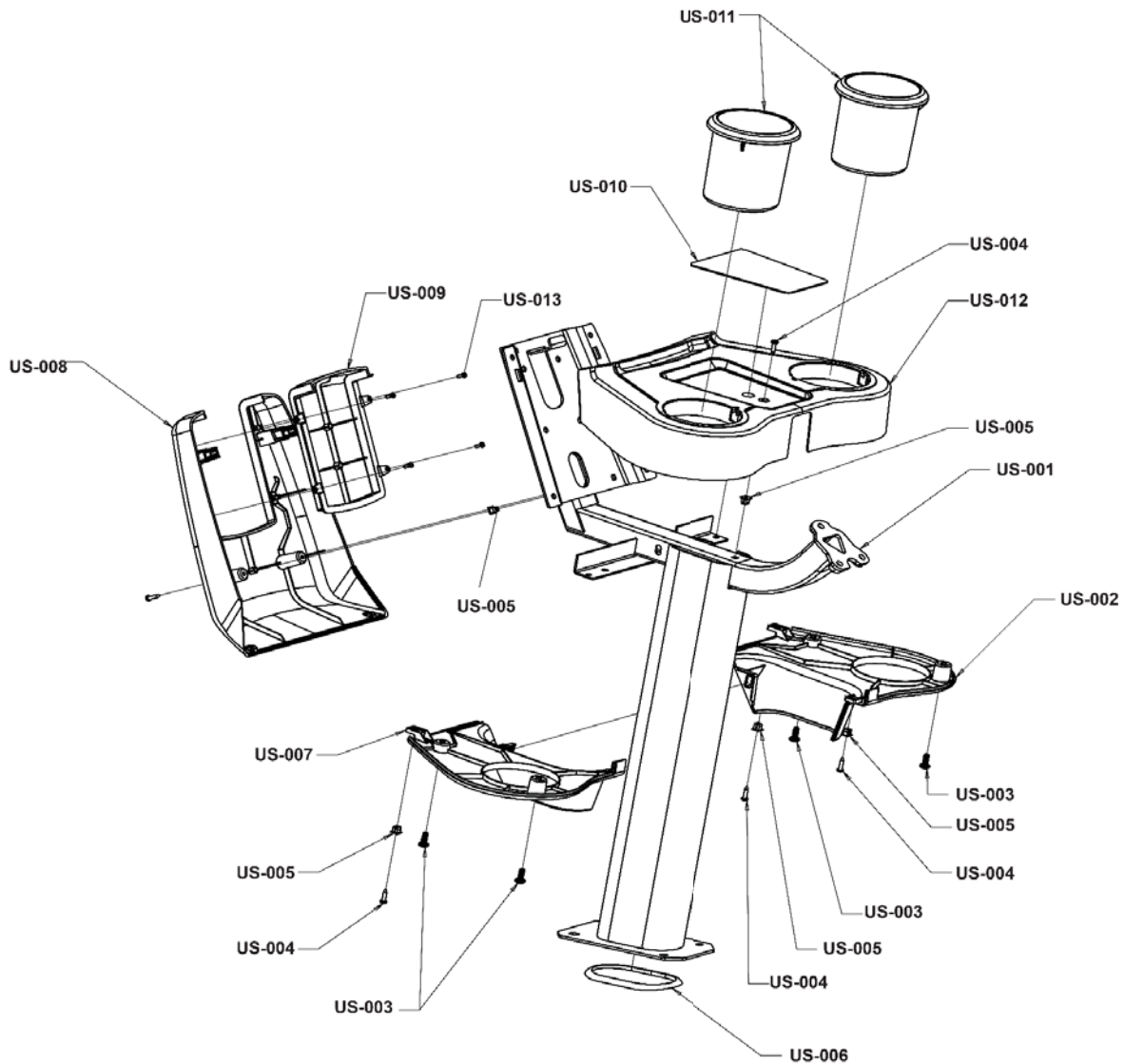
PARTS MANUAL



Table of Contents

Upper Shrouds & Monocolumn	2
Handlebars & Activity Zone	3
Frame Shrouds	4
Plugs & Battery	5
Seat & Seat Post	6
Drivetrain	8
Pedals & Crank Arms	9
Leg Levelers, Front Roller & PCB Resistance Control	11
Wiring Diagram: Base	12
Wiring Diagram: Integrity X & C Console	13
Wiring Diagram: Discover Console	14

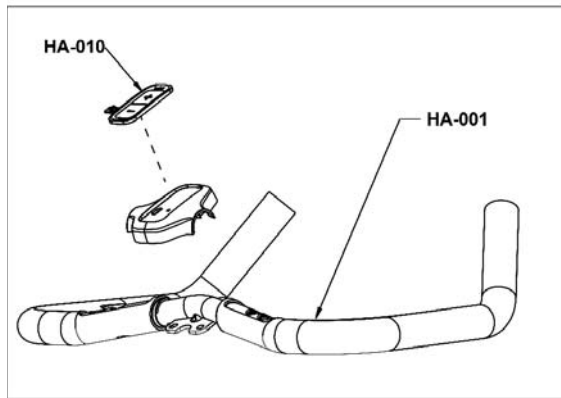
Upper Shrouds & Monocolumn



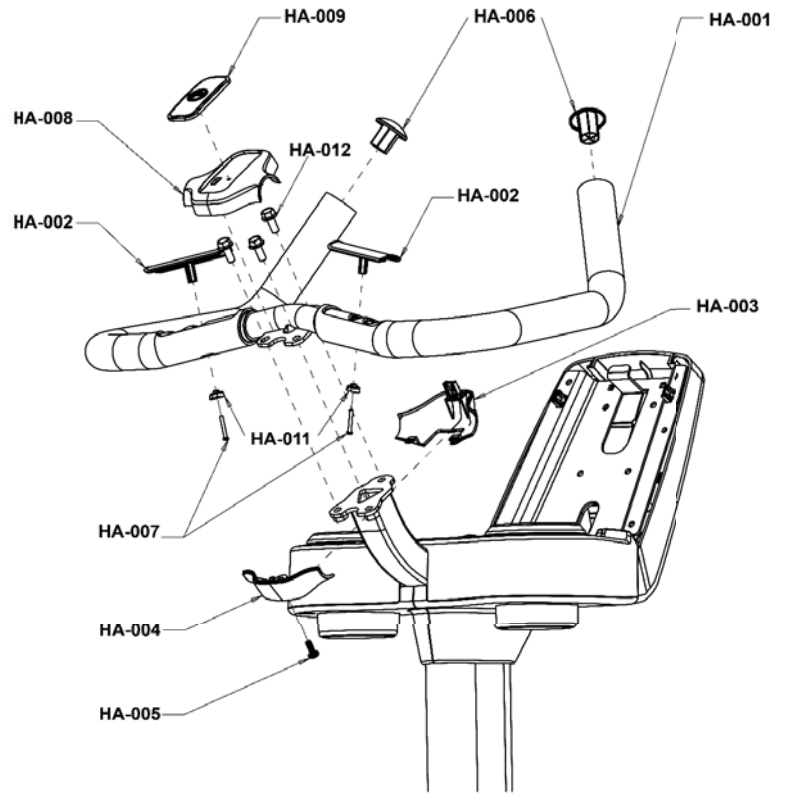
Parts List

Item	Alpha Code	Part Number	Description (Quantity)
US-001	HUB	1001523-5100	WELDMENT: MONOCOLUMN, ARCTIC SILVER ROBUST
	HUB, CHU	1001523-7200	WELDMENT: MONOCOLUMN, TITANIUM ROBUST
	PDU, PHU	1001523-5800	WELDMENT: MONOCOLUMN, PURPLE, ROBUST
US-002	HUB, CHU, PDU, PHU	1001606-2400	SHROUD: BOTTOM, RIGHT, CHARCOAL GREY
US-003	HUB, CHU, PDU, PHU	0017-00101-2138	SCREW: M6x1.0x16 DIN PHL PAN MS ST ZB (4)
US-004	HUB, CHU, PDU, PHU	0017-00101-1796	SCREW: M4.2 X 0.7 6g6g X 19 DIN PHL PAN AB ST ZB (5)
US-005	HUB, CHU, PDU, PHU	0017-00042-1147	GROMMET: SCREW; 8 OR 10US-005 (4)
US-006	HUB, CHU, PDU, PHU	1003232-0700	GASKET: MONOCOLUMN, BLACK
US-007	HUB, CHU, PDU, PHU	1001607-2400	SHROUD ASSEMBLY: BOTTOM, LEFT, CHARCOAL GREY
US-008	HUB, CHU, PDU, PHU	1001608-2400	SHROUD: REAR, CHARCOAL GREY
US-009	HUB, CHU, PDU, PHU	1001609-2400	SHROUD: REAR, FILLER, CHARCOAL GREY
US-010	HUB, CHU, PDU, PHU	1001610-0700	PAD: UPRIGHT TRAY, BLACK
US-011	HUB, CHU, PDU, PHU	1001034-2400	CUPHOLDER: LOCKING, CHARCOAL GREY (2)
US-012	HUB, CHU, PDU, PHU	1001605-2400	SHROUD ASSEMBLY: TOP, CHARCOAL GREY
US-013	HUB	0017-00101-1650	SCREW: VMI 6-19X 6 PHL PAN PLT ST BZ B (4)

Handlebars & Activity Zone



Featured

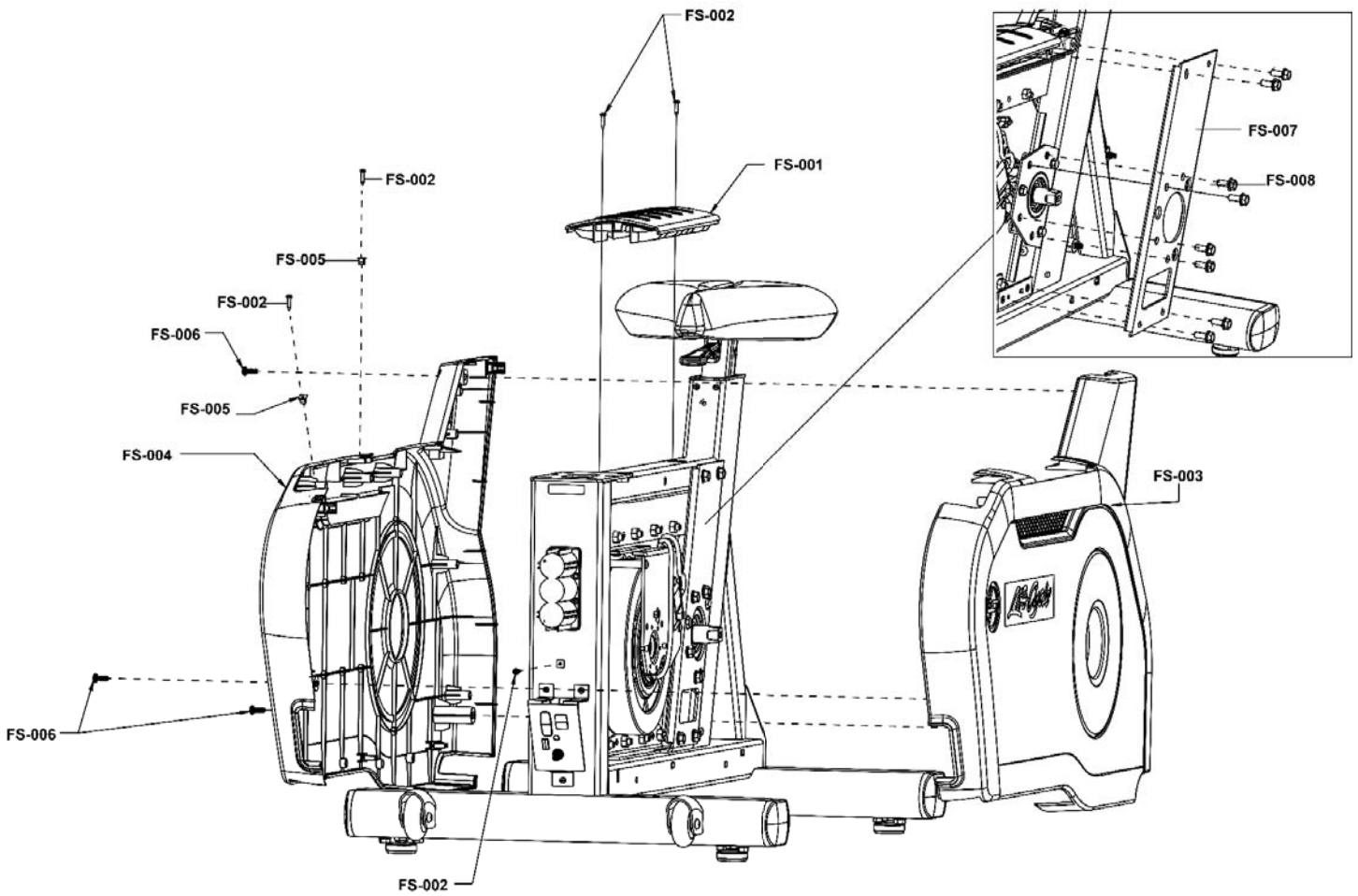


Simple

Parts List

Item	Alpha Code	Part Number	Description (Quantity)
HA-001	HUB, PHU, PDU	1001562-0700	HANDLEBAR: UPRIGHT, SIMPLE, BLACK
	HUB, CHU	1001563-0700	HANDLEBAR: UPRIGHT, FEATURED, BLACK
HA-002	HUB, CHU, PHU, PDU	AK63-00014-XXXX	ELECTRODE: INSERT MOLDED; CHGR (2)
HA-003	HUB, CHU, PHU, PDU	1001631-2400	SHROUD: ACTIVITY ZONE, BOTTOM FRONT, CHARCOAL GREY
HA-004	HUB, CHU, PHU, PDU	1001630-2400	SHROUD: ACTIVITY ZONE, BOTTOM REAR, CHARCOAL GREY
HA-005	HUB, CHU, PHU, PDU	0017-00101-2138	SCREW: M6x1.0x16 DIN PHL PAN MS ST ZB
HA-006	HUB, CHU, PHU, PDU	0K63-01114-XXXX	ENDCAP, HANDLEBAR (2)
HA-007	HUB, CHU, PHU, PDU	0017-00101-1720	SCREW: 6-19X16 PHL PAN (2)
HA-008	HUB, CHU, PHU, PDU	1001629-2400	SHROUD: ACTIVITY ZONE, TOP FEATURED, CHARCOAL GREY
HA-009	HUB, CHU, PHU, PDU	1001632-0700	SHROUD: ACTIVITY ZONE, SIMPLE FILLER, BLACK
HA-010	HUB, CHU	1001633-0000	KEYPAD: UP, DOWN
HA-011	HUB, CHU, PHU, PDU	0K66-01141-XXXX	PLUG: INSULATOR (2)
HA-012	HUB, CHU, PHU, PDU	0017-00101-2150	SCREW: M8 X 1.25 X 6G6H X 20 UHS HXW CS ST ZB (3)

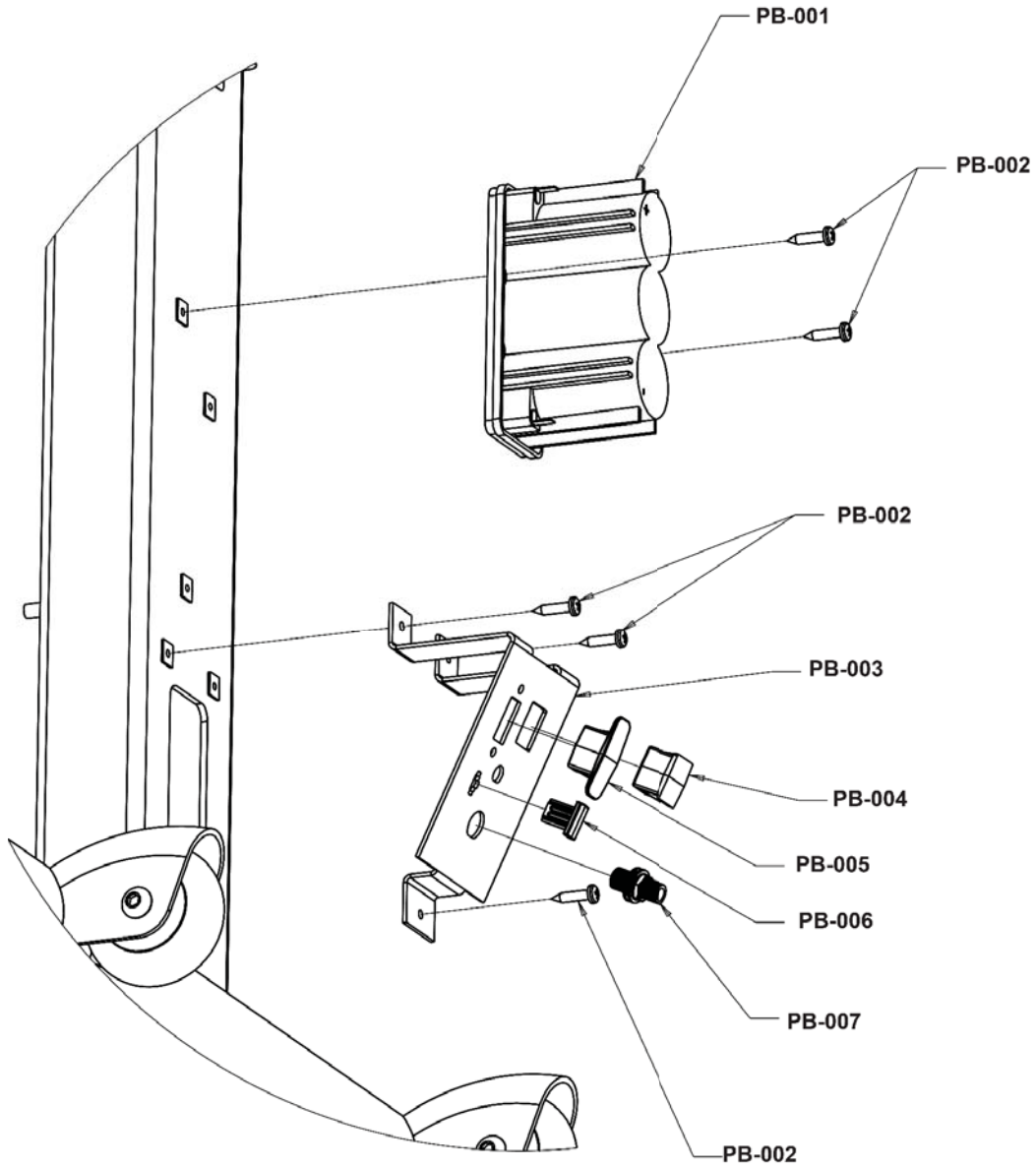
Frame Shrouds (Left, Right, & Top Cover)



Parts List

Item	Alpha Code	Part Number	Description (Quantity)
FS-001	HUB, CHU, PHU, PDU	1001595-0700	SHROUD: TOP COVER, BLACK
FS-002	HUB, CHU, PHU, PDU	0017-00101-1796	SCREW: M4.2 X 0.7 6g6g X 19 DIN PHL PAN AB ST ZB (5)
FS-003	HUB, CHU, PHU, PDU	1001592-2400	SHROUD ASSEMBLY: MAIN, LEFT, CHARCOAL GREY
FS-004	HUB, CHU, PHU, PDU	1001591-2400	SHROUD ASSEMBLY: MAIN, RIGHT, CHARCOAL GREY
FS-005	HUB, CHU, PHU, PDU	0017-00042-1147	GROMMET: SCREW (2)
FS-006	HUB, CHU, PHU, PDU	0017-00101-2138	SCREW: M6x1.0x16 DIN PHL PAN MS ST ZB (3)
FS-007	HUB, CHU, PHU, PDU	1001547-0001	SHEET METAL: HUB SUPPORT
FS-008	HUB, CHU, PHU, PDU	0017-00101-2150	SCREW: M8 X 1.25 X 6G6H UHS HXW CS ST ZB (8)

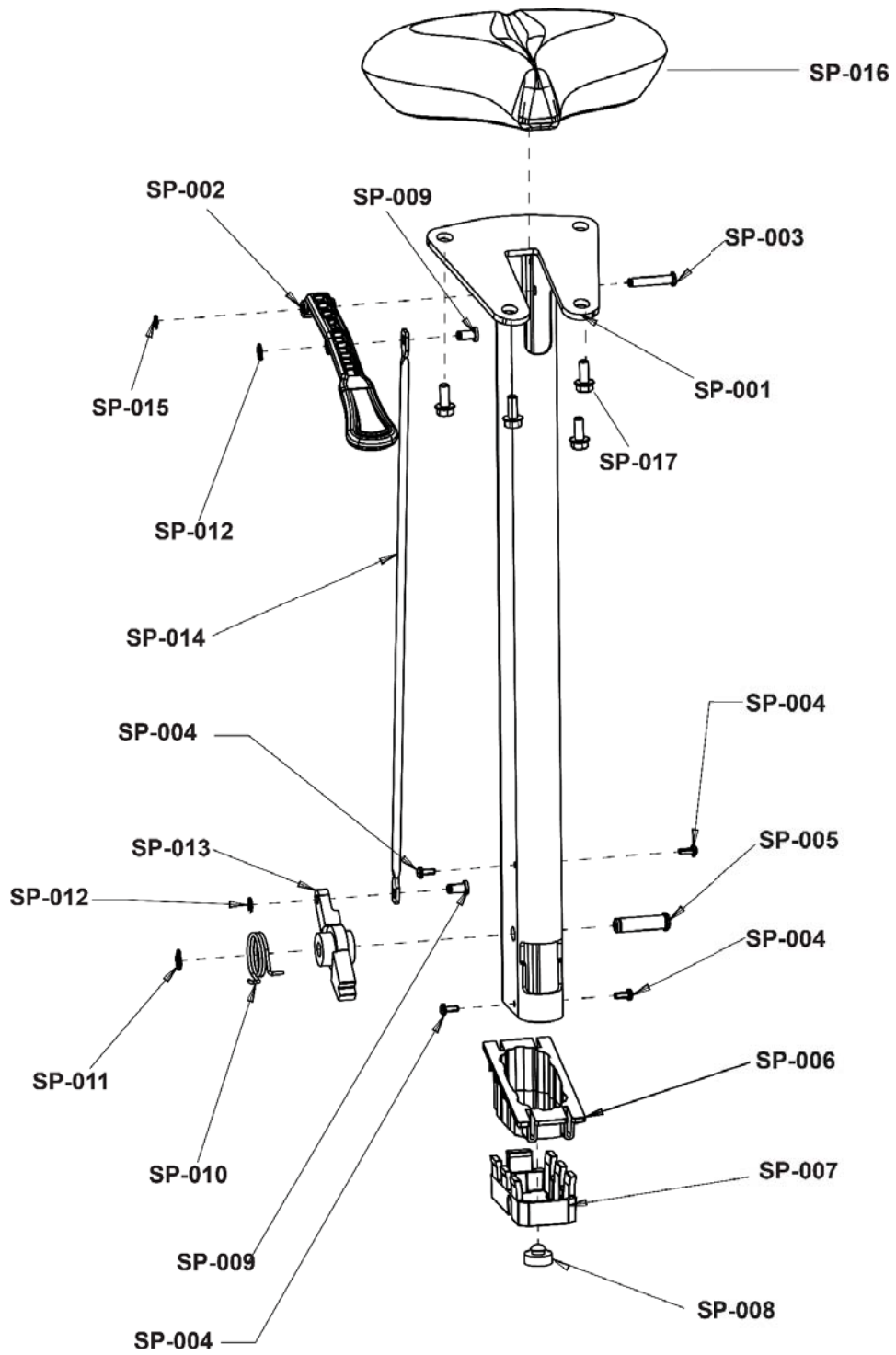
Plugs & Battery



Parts List

Item	Alpha Code	Part Number	Description (Quantity)
PB-001	HUB, CHU, PHU	0017-00003-0685	BATTERY: 6 VOLT
PB-002	HUB, CHU, PHU, PDU	0017-00101-1796	SCREW: M4.2 X 0.7 6g6g X 19 DIN PHL PAN AB ST ZB (5)
PB-003	HUB, CHU, PHU, PDU	1001537-0001	SHEET METAL:BRACKET, COM PORT
PB-004	HUB, CHU, PHU	1004601-0001	PLUG: RJ45 RECEPTACLE
PB-005	HUB, CHU, PHU	1005393-0700	PLUG: HDMI, BLACK
PB-006	HUB, CHU, PHU	1005470-0700	PLUG: IR PORT, BLACK
PB-007	HUB, CHU, PHU, PDU	0017-00021-2846	F-CONNECTOR: COAX, PANEL MOUNT

Seat & Seat Post



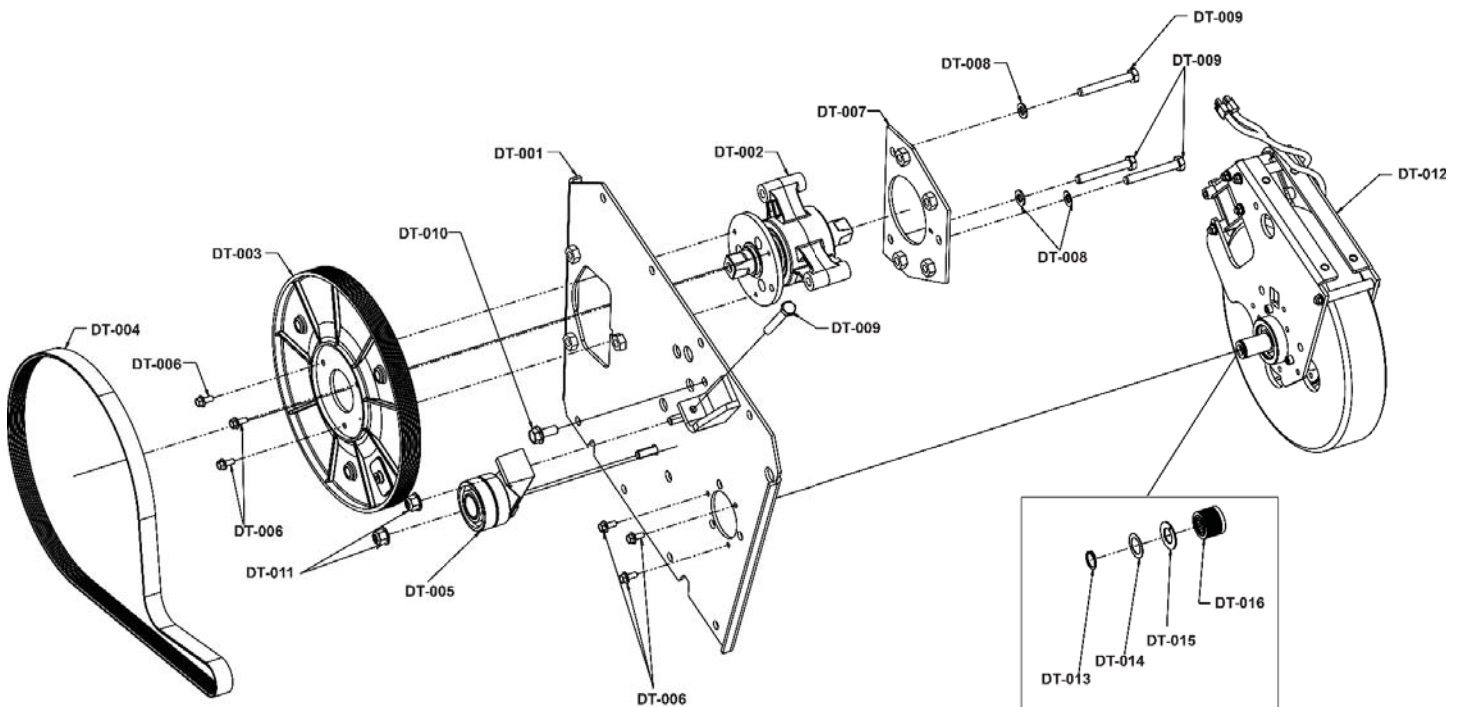
Parts listed on following page.

Seat & Seat Post *(continued)*

Parts List

Item	Alpha Code	Part Number	Description (Quantity)
SP-001	HUB, CHU, PHU, PDU	1001553-0001	WELDMENT: SEAT POST, BLACK
SP-002	HUB, CHU, PHU, PDU	1001615-0500	HANDLE: UPRIGHT SEAT ADJUSTMENT, RED
SP-003	HUB, CHU, PHU, PDU	1001557-0001	PIN: PIVOT, HANDLE
SP-004	HUB, CHU, PHU, PDU	0017-00101-1968	M4 X 0.7 X 10 PHL PAN TT ST ZS (4)
SP-005	HUB, CHU, PHU, PDU	1001558-0001	PIN: PIVOT, LATCH
SP-006	HUB, CHU, PHU, PDU	1001555-0001	BUSHING: SEAT POST, UPPER
SP-007	HUB, CHU, PHU, PDU	1001556-0001	BUSHING: SEAT POST, LOWER
SP-008	HUB, CHU, PHU, PDU	0K77-01066-0000	BUMPER: EPDM
SP-009	HUB, CHU, PHU, PDU	0K77-01028-0000	PIN: ROD; LOWER
SP-010	HUB, CHU, PHU, PDU	0K77-01032-0000	SPRING: UP/DOWN
SP-011	HUB, CHU, PHU, PDU	0017-00100-0253	RNG: BRE 10.0 ST PP
SP-012	HUB, CHU, PHU, PDU	0017-00100-0250	RNG: E 6.0 MM ST PH (2)
SP-013	HUB, CHU, PHU, PDU	0K77-01031-0000	LATCH: UP/DOWN
SP-014	HUB, CHU, PHU, PDU	0K77-01027-0000	ROD: UP/DOWN
SP-015	HUB, CHU, PHU, PDU	1001646-0001	RING: RETAINING, 6MM, EXTERNAL
SP-016	HUB, CHU, PHU, PDU	1004863-0001	SEAT: UPRIGHT
SP-017	HUB, CHU, PHU, PDU	0017-00101-2150	SCREW: M8 X 1.25 X 6G6H X 20 UHS HXW CS ST ZB (4)

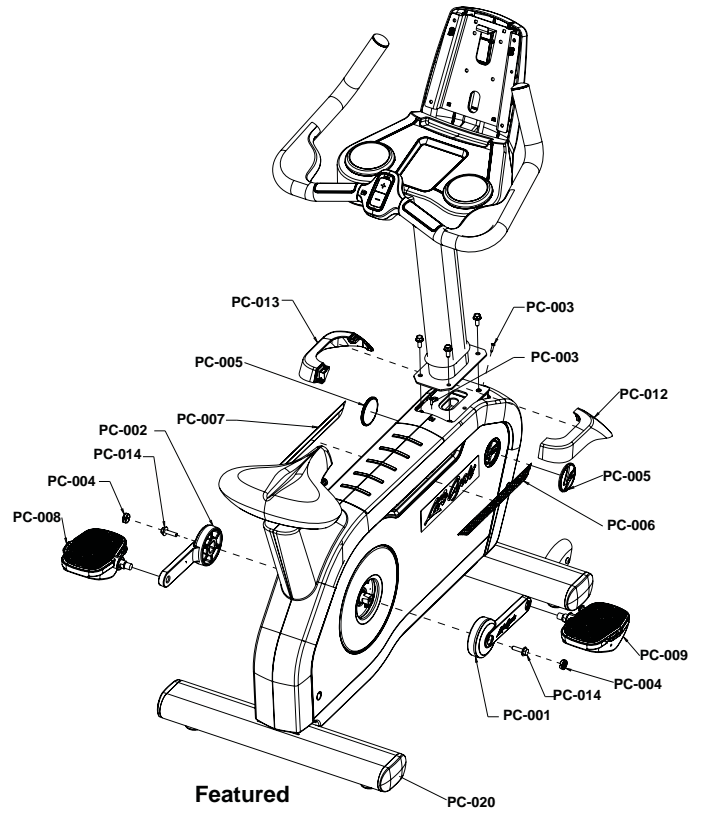
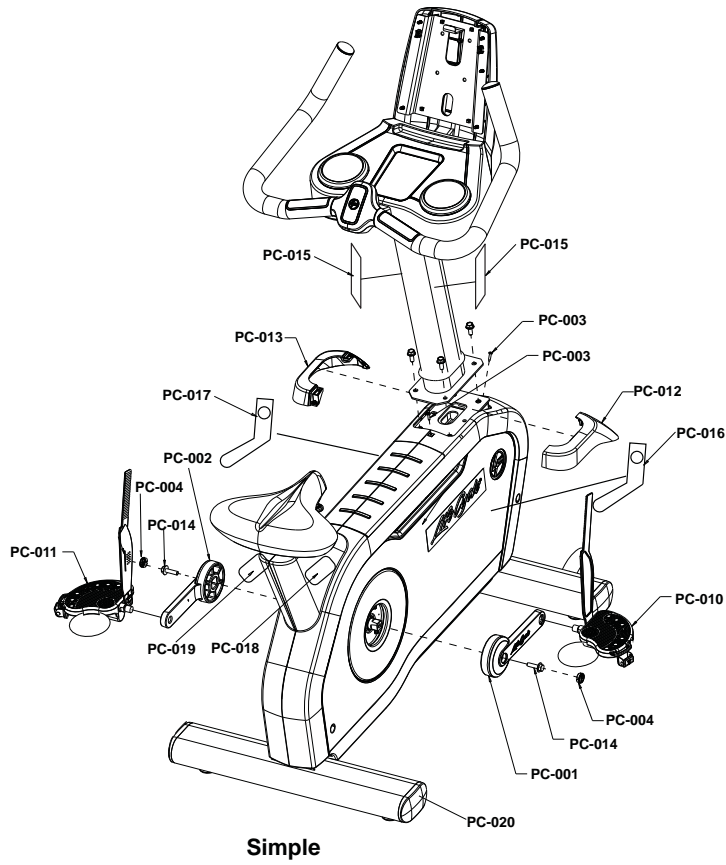
Drivetrain



Parts List

Item	Alpha Code	Part Number	Description (Quantity)
DT-001	HUB, CHU, PHU, PDU	1000711-0001	WELDMENT: DRIVETRAIN PLATE
DT-002	HUB, CHU, PHU, PDU	AK66-00151-0000	HUB ASSY: CRANKSHAFT; ELEVATION, UNIPLAT
DT-003	HUB, CHU, PHU, PDU	0K76-01068-0000	PULLEY: POLY V; MOLDED, J-SECTION
DT-004	HUB, CHU, PHU, PDU	1000716-0001	BELT: POLY-V, 430 J8
DT-005	HUB, CHU, PHU, PDU	1001619-0001	ASSEMBLY: IDLER
DT-006	HUB, CHU, PHU, PDU	0017-00101-2151	SCREW: M5 X 1.25 X 6G6G X 12 FLANGE HEAD CS G5 CD (6)
DT-007	HUB, CHU, PHU, PDU	1000714-0001	WELDMENT: ADAPTER, HUB
DT-008	HUB, CHU, PHU, PDU	0017-00104-0469	WASHER: M8.4X16.0X1.6 DIN D FLAT ST ZB (3)
DT-009	HUB, CHU, PHU, PDU	0017-00101-2002	SCREW: M8.0X1.25-6G6GX60 DIN UNS HEX CS G5 CD (4)
DT-010	HUB, CHU, PHU, PDU	0017-00101-2150	SCREW: M8 X 1.25 X 6G6H X 20 UHS HXW CS ST ZB
DT-011	HUB, CHU, PHU, PDU	1003388-0001	NUT: M8X1.25-6H6H DIN L LOCKNUT ST ZB (2)
DT-012	HUB, CHU, PHU, PDU	1001620-0001	ASSY: GENERATOR, CLUTCH
DT-013	HUB, CHU, PHU, PDU	0017-00100-0257	RNG: EXT.: DSH-18; STL, BP (METRIC)
DT-014	HUB, CHU, PHU, PDU	0017-00104-0498	WSH .750-1.125 .025 FL-D SS
DT-015	HUB, CHU, PHU, PDU	0K66-01237-0000	WASHER: THRUST; OUTER, PUR
DT-016	HUB, CHU, PHU, PDU	AK66-00165-0000	CLUTCH & PULLEY ASSY: UNIPLATE; ISO/DIN

Pedals & Crank Arms

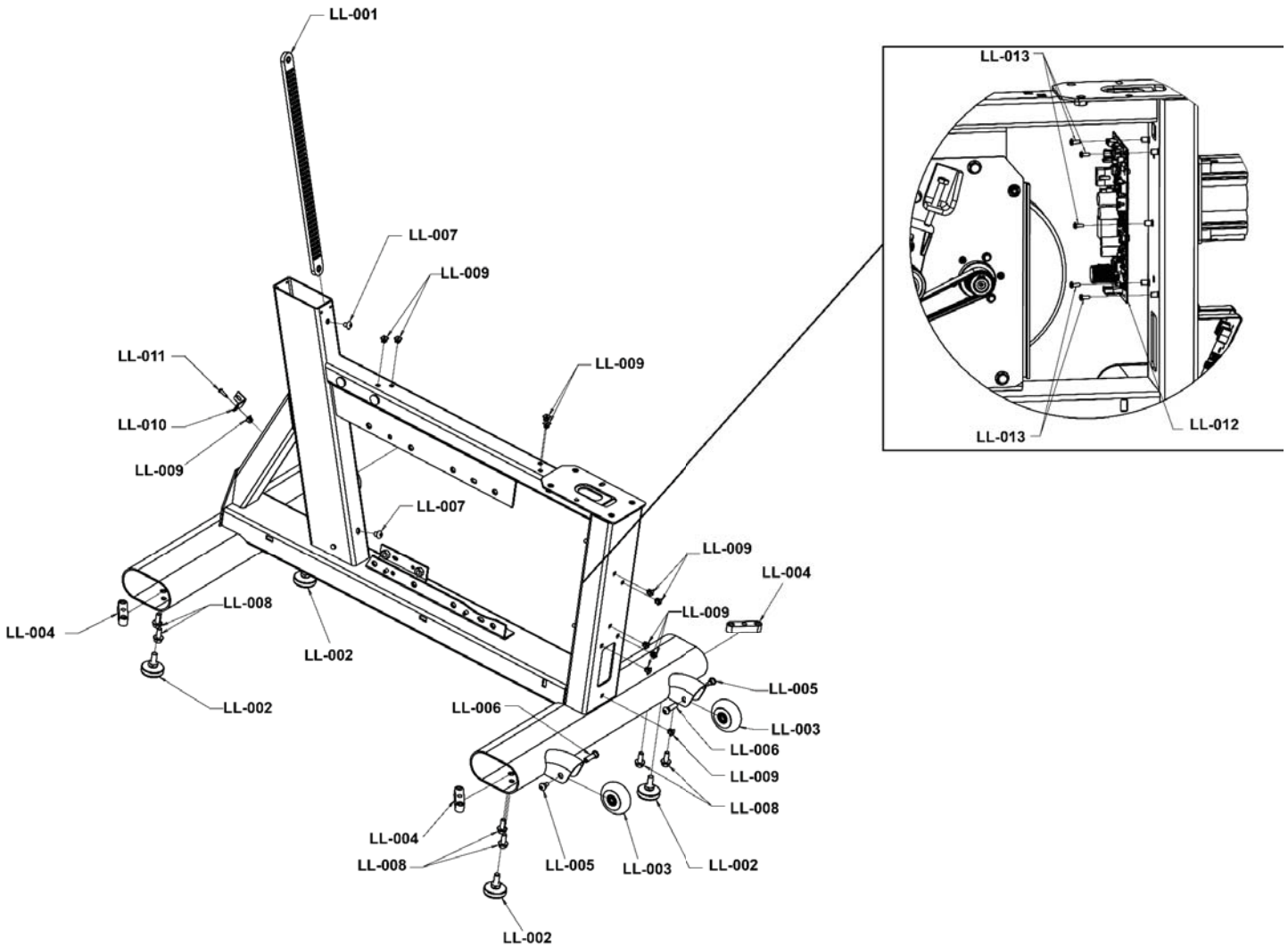


Pedals & Crank Arms *(continued)*

Parts List

Item	Alpha Code	Part Number	Description (Quantity)
PC-001	HUB, CHU, PHU, PDU	0K76-01054-XXXX	CRANK ARM: RIGHT
PC-002	HUB, CHU, PHU, PDU	0K76-01053-XXXX	CRANK ARM: LEFT
PC-003	HUB, CHU, PHU, PDU	0017-00101-1796	SCREW: M4.2 X 0.7 6g6g X 19 DIN PHL PAN AB ST ZB (2)
PC-004	HUB, CHU, PHU, PDU	0K66-01121-XXXX	CAP: CRANK (2)
PC-005	HUB, CHU	AK58-00245-XXXX	ASSEMBLY: MEDALLION 'BUG' CHGR (2)
PC-006	HUB, CHU	1003706-0001	DECAL: VENT DETAIL, RIGHT
PC-007	HUB, CHU	1003705-0001	DECAL: VENT DETAIL, LEFT
PC-008	HUB, CHU	AK66-00048-0701	PEDAL/STRAP ASSY: STANDARD; LEFT; BLK
PC-009	HUB, CHU	AK66-00047-0701	PEDAL/STRAP ASSY: STANDARD; RIGHT; BLK
PC-010	HUB, PHU	1006921-0001	ASSEMBLY: PEDAL, LIFECYCLE, RIGHT
	PDU	1005423-0700	PEDAL: HERCULES SIMPLE, RIGHT, BLACK
PC-011	HUB, PHU	1006920-0001	ASSEMBLY: PEDAL, LIFECYCLE, LEFT
	PDU	1005422-0700	PEDAL: HERCULES SIMPLE, LEFT BLACK
PC-012	HUB, CHU, PHU, PDU	1001593-2400	SHROUD ASSEMBLY: MONOCOLUMN, RIGHT, CHARCOAL GREY
PC-013	HUB, CHU, PHU, PDU	1001594-2400	SHROUD: MONOCOLUMN, LEFT, CHARCOAL GREY
PC-014	HUB, CHU, PHU, PDU	0017-00101-2077	SCREW: M8 X 1.0 6G6H X 30 UNS HWX CS ST ZS (2)
PC-015	PHU, PDU	1007086-0001	DECAL: JFZ TAGLINE MEDIUM SIZE (2)
PC-016	PHU, PDU	1006636-0001	LABEL: PF, UPRIGHT BIKE, PURPLE DECAL, RIGHT
PC-017	PHU, PDU	1006637-0001	LABEL: PF, UPRIGHT BIKE, PURPLE DECAL, LEFT (not shown)
PC-018	PHU, PDU	1006638-0001	LABEL: PF, UPRIGHT BIKE, LOGO RIGHT
PC-019	PHU, PDU	1006639-0001	LABEL: PF, UPRIGHT BIKE, LOGO LEFT
PC-020	HUB, CHU, PHU, PDU	1002166-0700	ENDCAP: LARGE FLOV, BLACK (4)

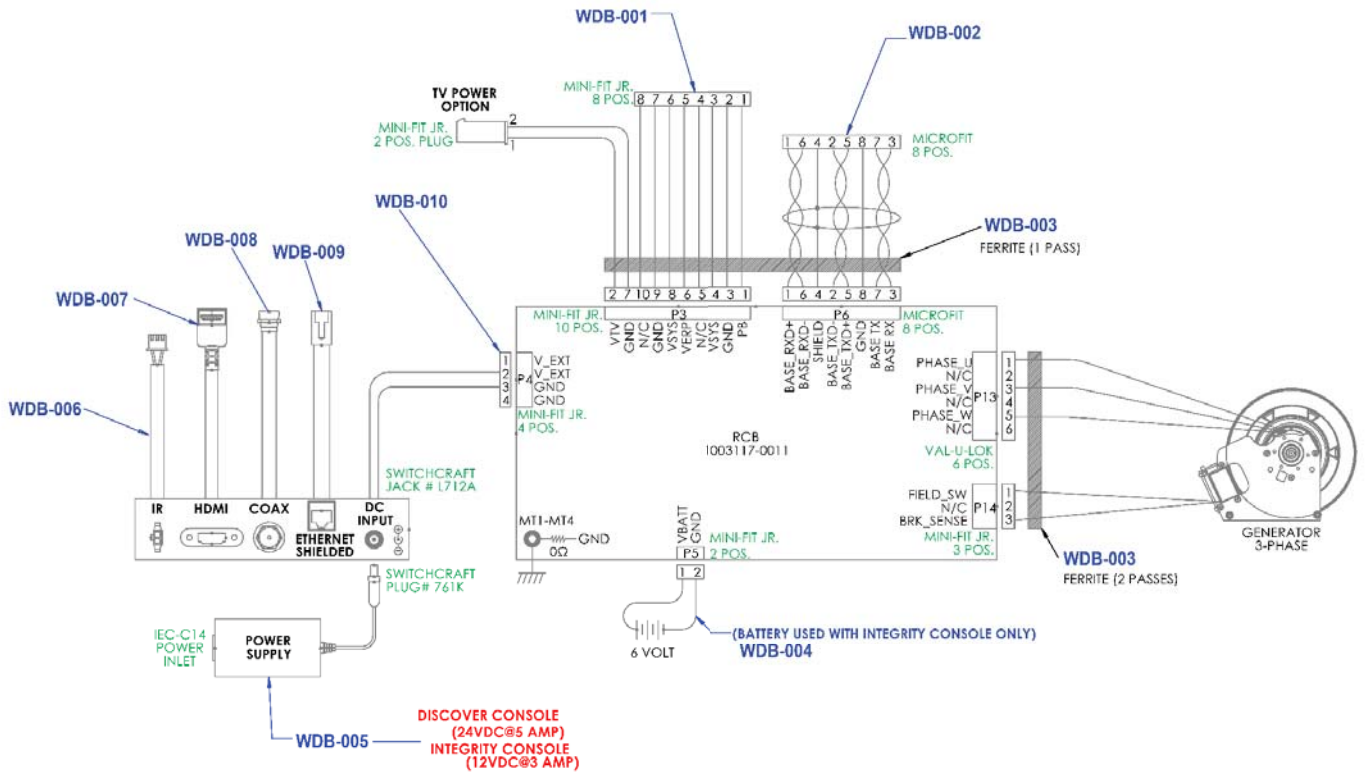
Leg Levelers, Front Roller & PCB Resistance Control



Parts List

Item	Alpha Code	Part Number	Description (Quantity)
LL-001	HUB, CHU, PHU, PDU	0K77-01033-0700	RACK: UP DOWN; BLACK
LL-002	HUB, CHU, PHU, PDU	AK62-00124-0000	LEG-LVLR ASSY: MFG; METRIC (4)
LL-003	HUB, CHU, PHU, PDU	1005421-0000	ASSEMBLY: FRONT ROLLER (2)
LL-004	HUB, CHU, PHU, PDU	1001040-0001	BLOCK: LEVELER (4)
LL-005	HUB, CHU, PHU, PDU	1001038-0001	BOLT: SHOULDER, M6X1.0 (2)
LL-006	HUB, CHU, PHU, PDU	1001628-0001	NUT: SHAFT, BARREL, 8MM DIA, 30MM LONG (2)
LL-007	HUB, CHU, PHU, PDU	0017-00101-2087	M8 X 1.25-6G6G X 10 HXS BUT CS ST ZB (2)
LL-008	HUB, CHU, PHU, PDU	0017-00101-2150	SCREW: M8 X 1.25 X 6G6H X 20 UHS HXW CS ST ZB (8)
LL-009	HUB, CHU, PHU, PDU	0017-00042-1147	GROMMET: SCREW (11)
LL-010	HUB, CHU, PHU, PDU	1002971-0001	BRACKET: SHROUD CLIP
LL-011	HUB, CHU, PHU, PDU	0017-00101-1796	SCREW: M4.2 X 0.7 6g6g X 19 DIN PHL PAN AB ST ZB
LL-012	HUB, CHU, PHU, PDU	1003117-0011	PCB ASSEMBLY: RESISTANCE CONTROL
LL-013	HUB, CHU, PHU, PDU	0017-00101-1989	SCREW: M4 6G6G X 10 PHL PAN ST ZN (5)

Wiring Diagram - Base

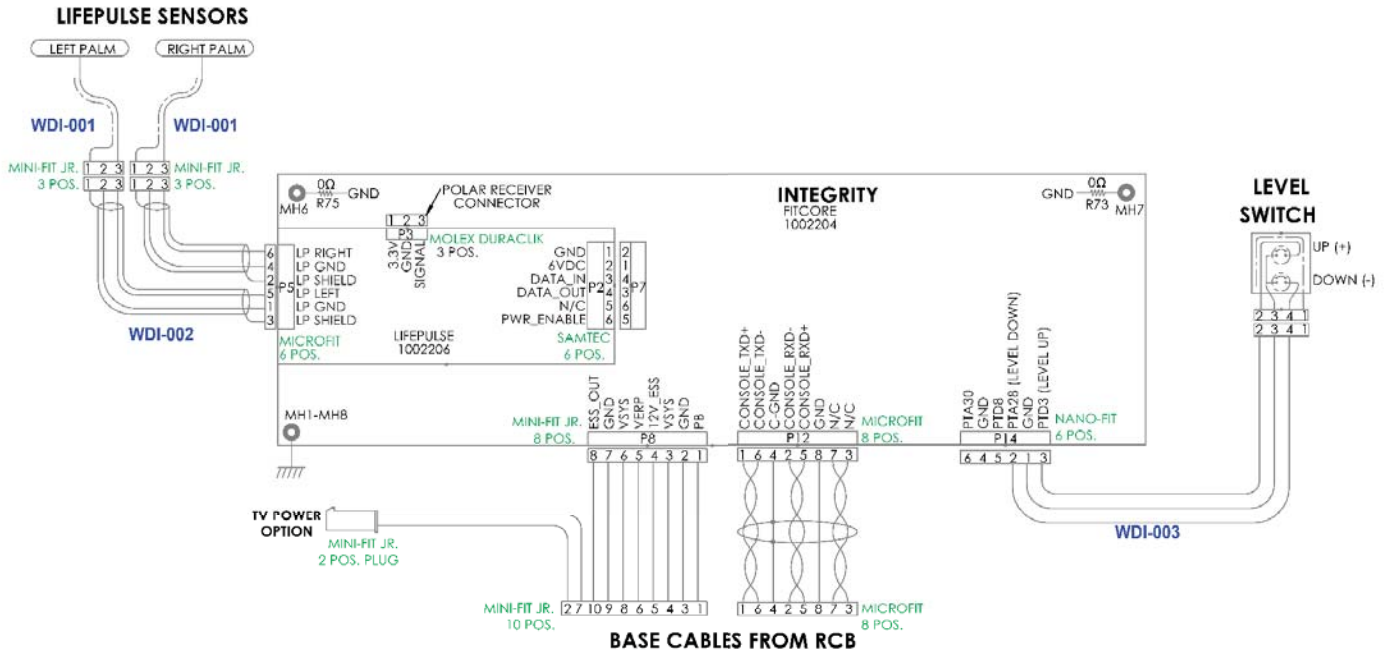


Parts List

Item	Alpha Code	Part Number	Description (Quantity)
WDB-001	HUB, CHU, PHU, PDU	1002258-0002	CABLE: CONSOLE TO BASE. POWER, RECUMBENT BIKE
WDB-002	HUB, CHU, PHU, PDU	1002239-0002	CABLE: CONSOLE TO BASE, SIGNAL, RECUMBENT BIKE
WDB-003	HUB, CHU, PHU	121E-00001-0023	CORE: FERRITE; SUPPRESSION B
WDB-004	HUB, CHU, PHU	AK69-00106-0000	CABLE ASSY: BATTERY, NON-TREADS, 26 INCH (USED FOR INTEGRITY CONSOLES)
WDB-005	HUB, CHU, PHU	1001517-0001	POWER SUPPLY: 12 VDC, 3A (USED FOR INTEGRITY CONSOLES)
	PDU	1004808-0001	POWER SUPPLY, 100-240VAC TO 24VDC, 5A, 2.5MM PLUG (USED FOR DISCOVER CONSOLE)
WDB-006	-	1001671-0003	CABLE: IR, CONSOLE TO PANEL, UPRIGHT BIKE (FEATURED BASE ONLY)
WDB-007	-	1001653-0001	CABLE ASSEMBLY: HDMI, PANEL MOUNT, RIGHT, UPRIGHT BIKE (FEATURED BASE ONLY)
WDB-008	HUB, CHU, PHU, PDU	AK65-00062-0000	COAX ASSY: RG6; BASE
WDB-009	PHU, PDU	AK70-00092-0004	CABLE ASSY: CAT5E; V2
WDB-010	HUB, CHU, PHU, PDU	1003521-0001	CABLE: POWER, RCB TO PANEL, 5A, UPRIGHT BIKE

NOTE: MUST USE the 12VDC power supply with Integrity X or C Console. DO NOT USE a 24VDC power supply!

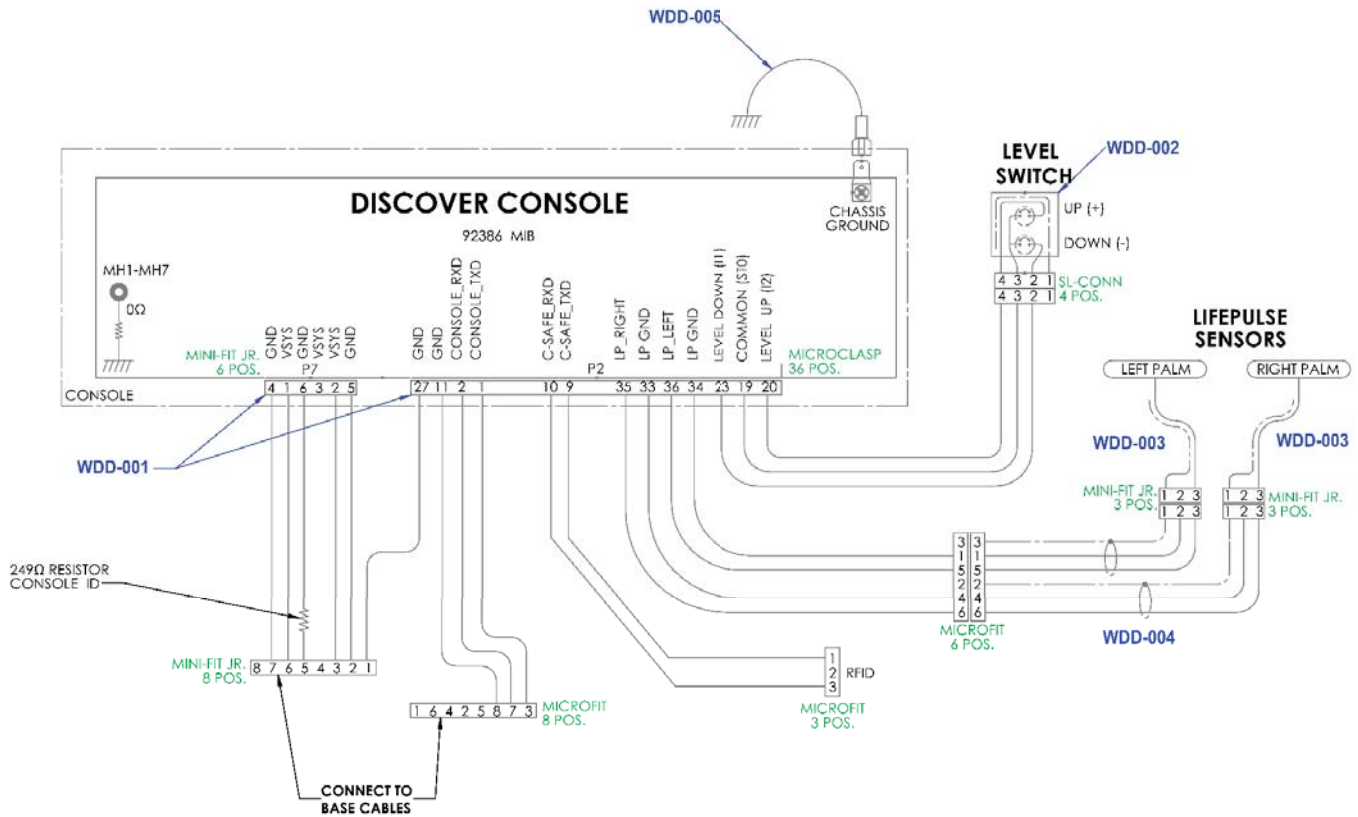
Wiring Diagram - Integrity X & C Consoles



Parts List

Item	Alpha Code	Part Number	Description (Quantity)
WDI-001	HUB, CHU, PHU, PDU	1004560-0001	CABLE: LIFEPULSE ELECTRODES
WDI-002	HUB, CHU, PHU, PDU	1003838-0003	CABLE: LIFEPULSE TO ELECTRODE
WDI-003	HUB, CHU	1003839-0002	CABLE: CONSOLE TO BASE KEYPADS

Wiring Diagram - Discover Console



Parts List

Item	Alpha Code	Part Number	Description (Quantity)
WDD-001	PDU	1006763-0001	CABLE: DISCOVER TO HERCULES ADAPTOR, UPRIGHT BIKE
WDD-002	HUB, CHU	1001633-0000	KEYPAD: UP, DOWN (FEATURED BASE ONLY)
WDD-003	HUB, CHU, PHU PDU	1004560-0001	CABLE: LIFEPULSE ELECTRODES
WDD-004	HUB, CHU, PHU PDU	1003838-0003	CABLE: LIFEPULSE TO ELECTRODE
WDD-005	-	AK26-00348-0001	CBL-ASSY: JMPR;OUTLET/GRND B