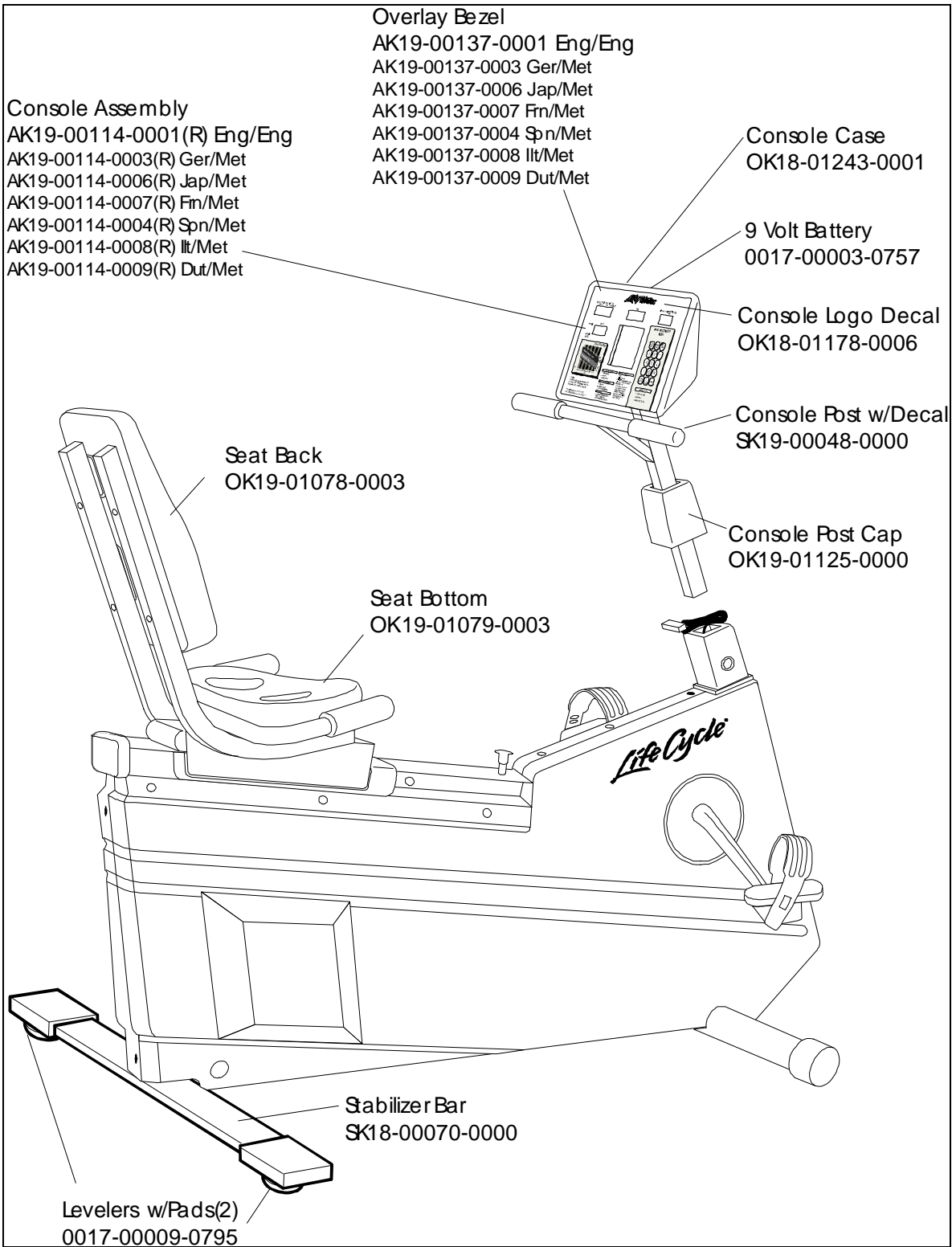


LC-9100R
EXERCISE BIKE

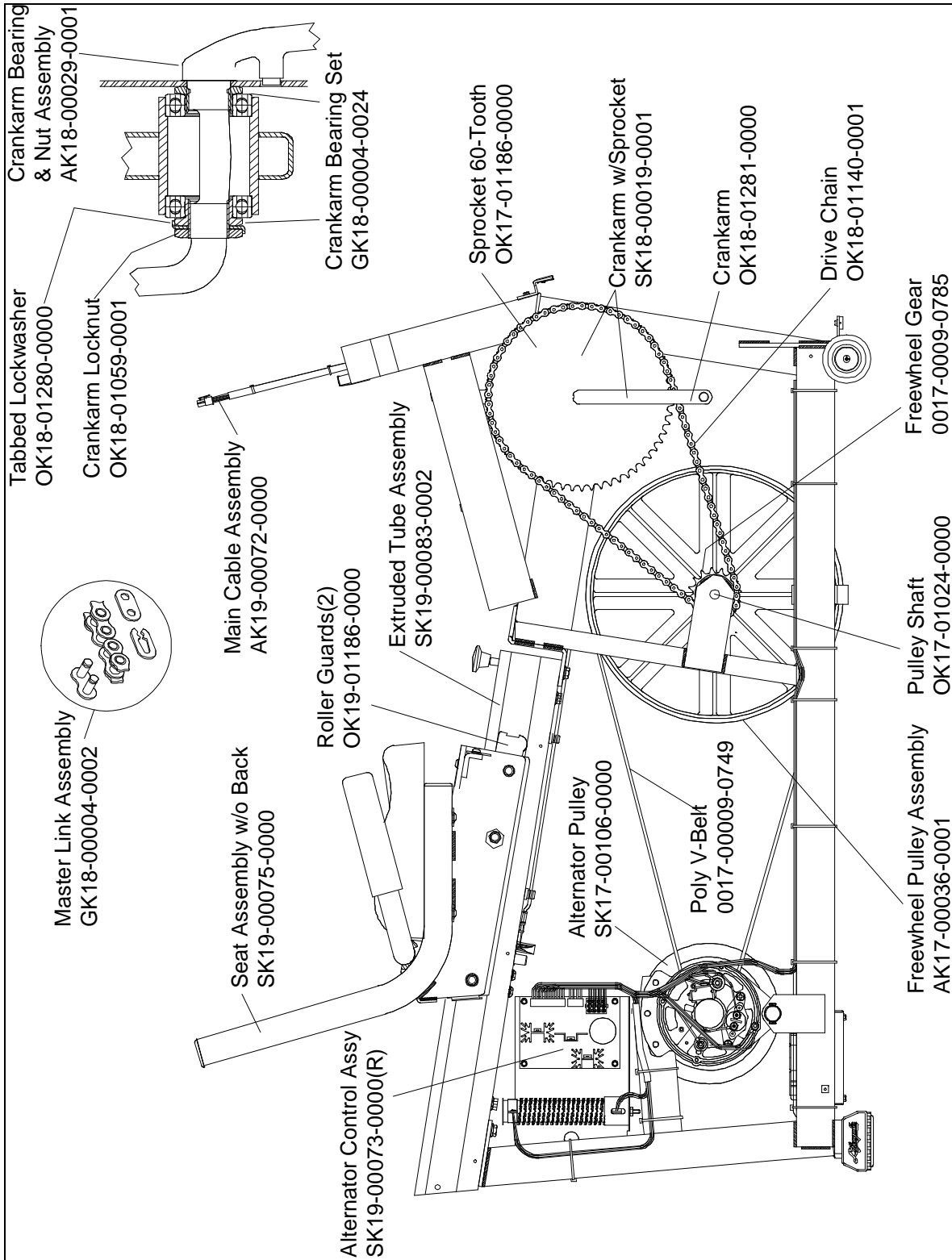
END OF LIFE

GK19-00015-XXXX
SN # 472000 and UP



LC-9100R
EXERCISE BIKE

GK19-00015-XXXX
SN # 472000 and UP



LC-9100R
EXERCISE BIKE

GK19-00015-XXXX
SN # 472000 and UP

