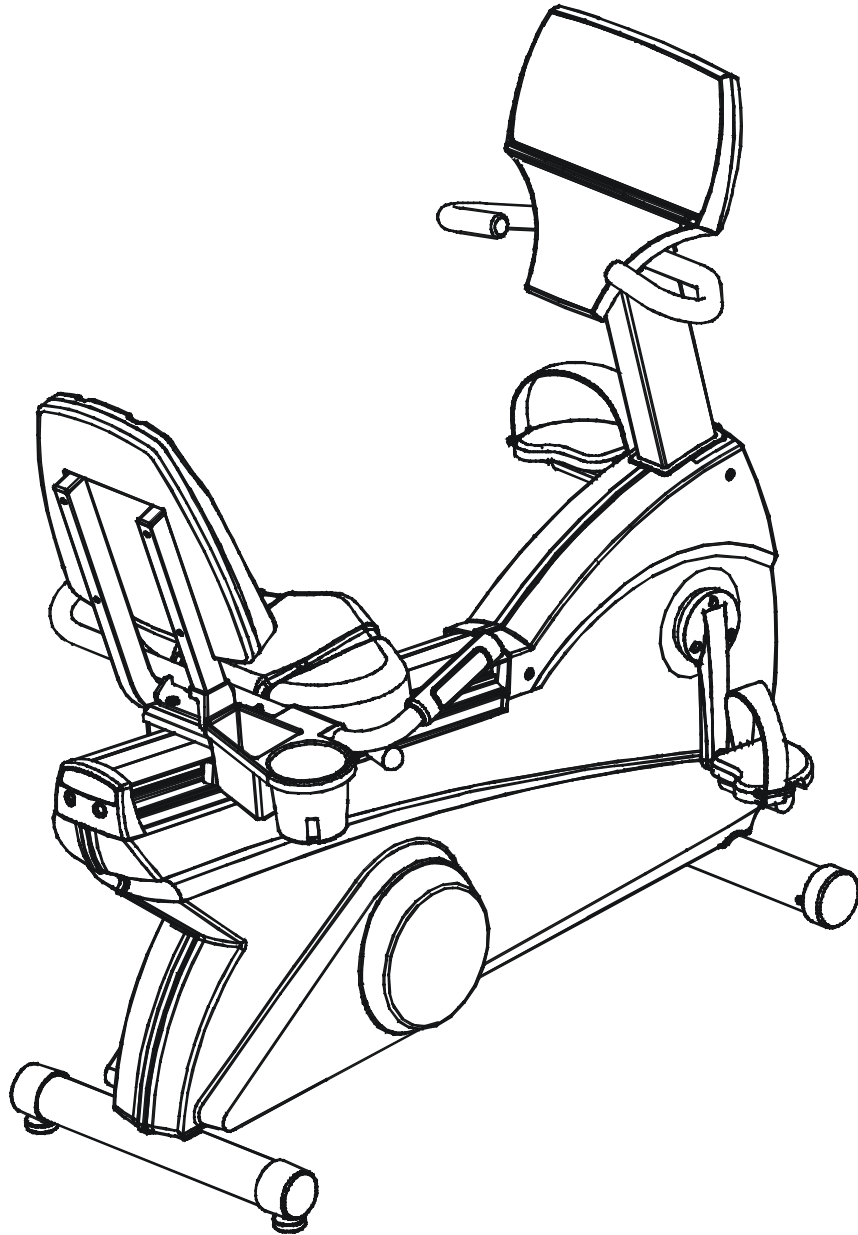


LifeFitness

Arctic Silver 90R Recumbent Bike



Customer Support Services
PARTS MANUAL revised Nov 2014

ARCTIC SILVER 90R
REFERENCES

90R-0XXX-02
S/N CCJ100000 and UP

OPERATION MANUAL	M051-00K39-A020
ACCESSORY TRAY KIT	AK39-00052-0004
HARDWARE BAG	GK39-00002-0008
POLAR UPGRADE KIT	GK39-00002-0001
TOUCH UP PAINT: SPRAY CAN .5 OZ BOTTLE W/APPLICATOR .33 OZ PEN	0017-00008-0204 0017-00008-0205 0017-00008-0206
SERVICE MANUAL	M051-00K39-A012

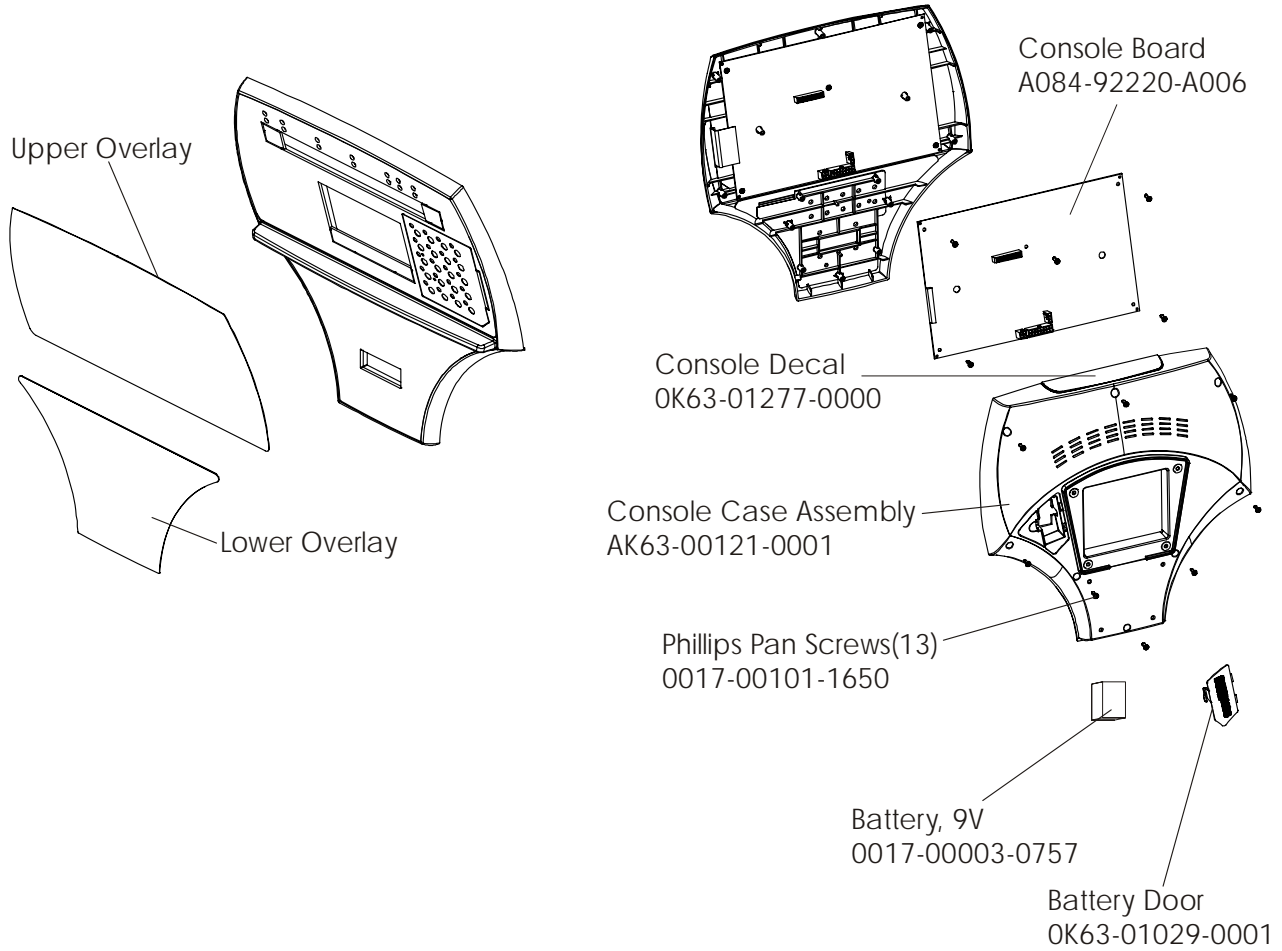
ARCTIC SILVER 90R
CONTENTS

90R-0XXX-02
S/N CCJ100000 and UP

	Page
CONSOLE COMPONENTS	4
CONSOLE SUPPORT ASSEMBLY.....	5
SHROUDS, END CAP, CRANKARMS AND PEDALS	6
BELTS.....	7
POWER CONTROL BOARD	8
ALTERNATOR W/PULLEY	9
CRANKSHAFT AND BEARING ASSEMBLY.....	10
INTERMEDIATE SHAFT AND BEARING ASSEMBLY.....	11
IDLER BRACKET ASSEMBLY.....	12
SEAT ASSEMBLY.....	13
SEAT BOTTOM ASSEMBLY.....	14
SEAT FRAME ASSEMBLY.....	15
SEAT PADS AND ACCESSORY TRAY.....	16
EXTRUSION ASSEMBLY.....	17
SEAT LOCKING ASSEMBLY.....	18
WHEEL AND LEVELER.....	19
CABLES.....	20

ARCTIC SILVER 90R
Console Components

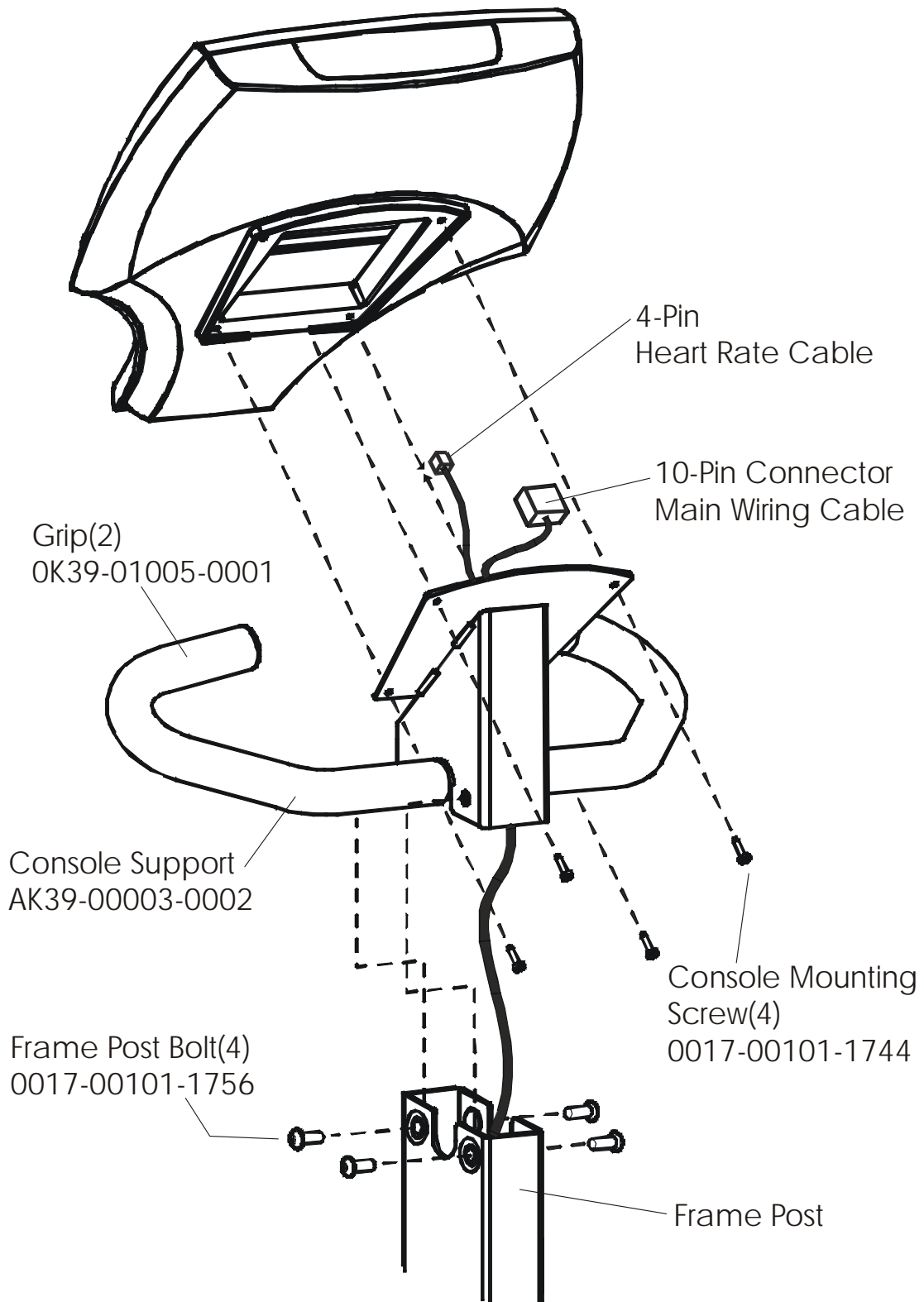
90R-0XXX-02
S/N CCJ100000 and UP



Console Assembly	Overlay/Bezel/Switch Assy.
AK63-00162-0001 Eng Met	AK63-00167-0001 Eng Met
AK39-00072-0003 Ger Met	AK63-00167-0003 Ger Met
AK39-00072-0004 Spn Met	AK63-00167-0004 Spn Met
AK39-00072-0006 Jap Met	AK63-00167-0006 Jap Met
AK39-00072-0007 Frn Met	AK63-00167-0007 Frn Met
AK39-00072-0008 Itl Met	AK63-00167-0008 Itl Met
AK39-00072-0009 Dut Met	AK63-00167-0009 Dut Met
AK39-00072-0010 Por Met	AK63-00167-0010 Por Met

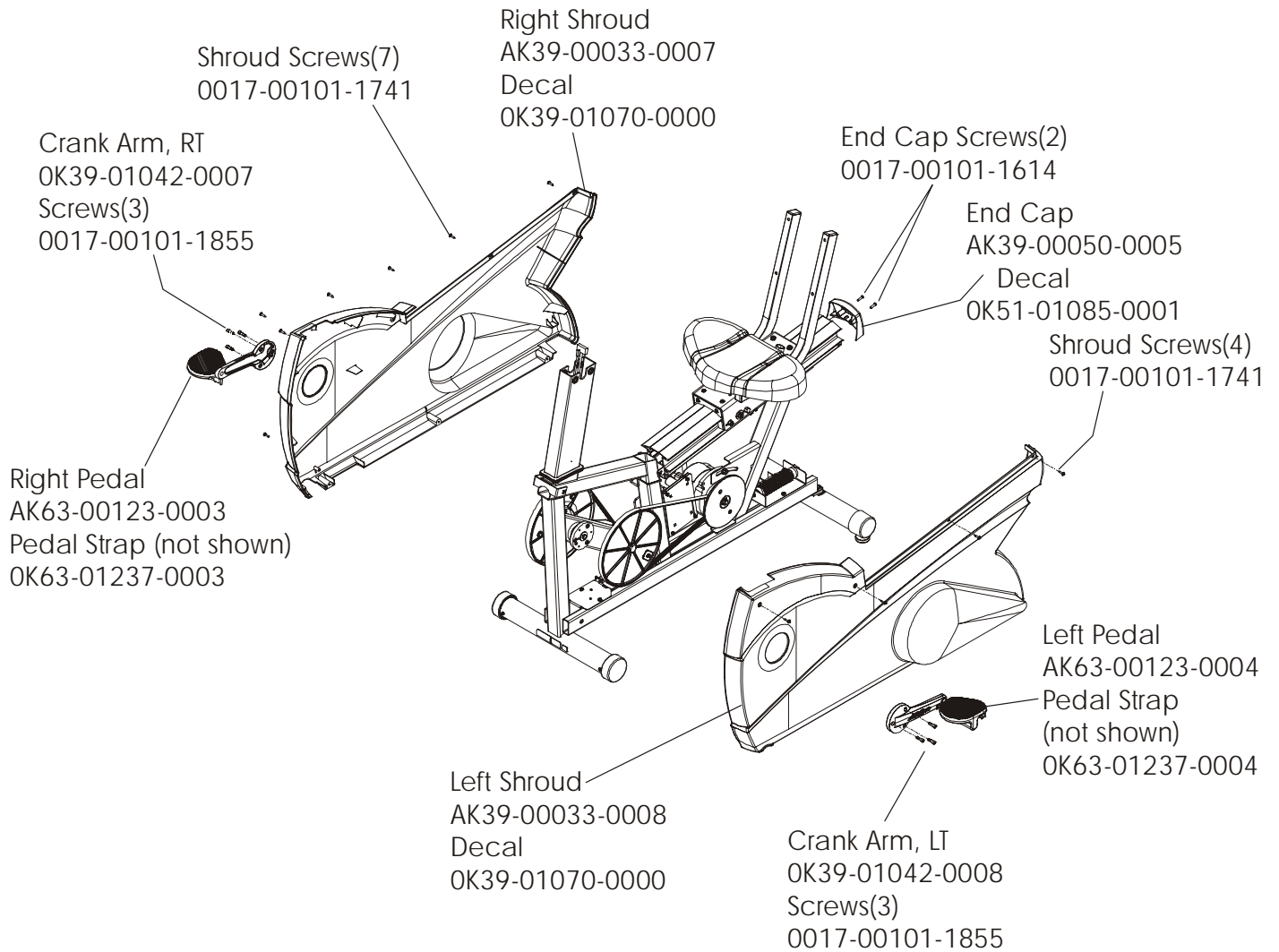
ARCTIC SILVER 90R
Console Support Assembly

90R-0XXX-02
S/N CCJ100000 and UP



ARCTIC SILVER 90R
Shrouds, End Cap and Pedals

90R-0XXX-02
S/N CCJ100000 and UP

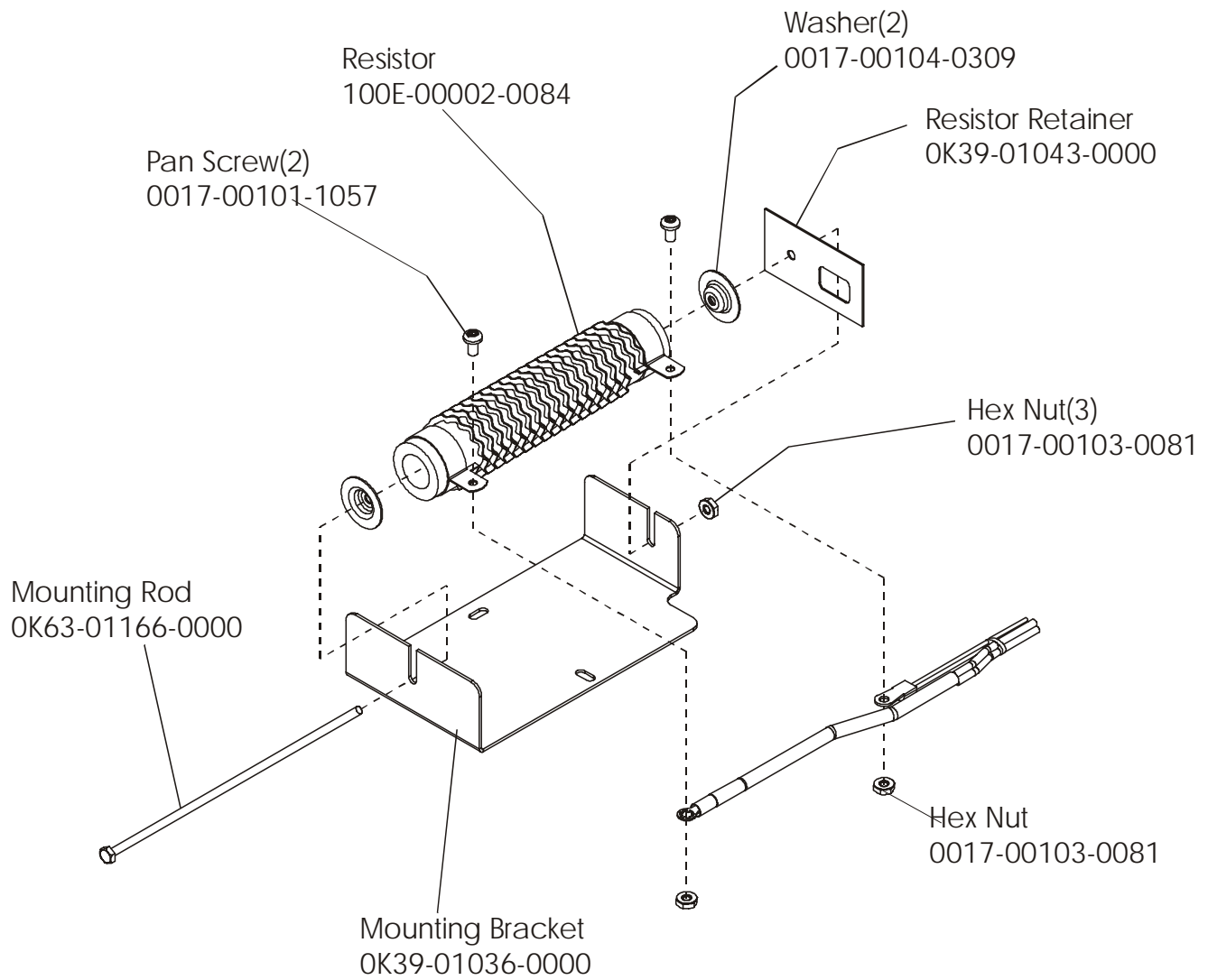


ARCTIC SILVER 90R

Belts

90R-0XXX-02

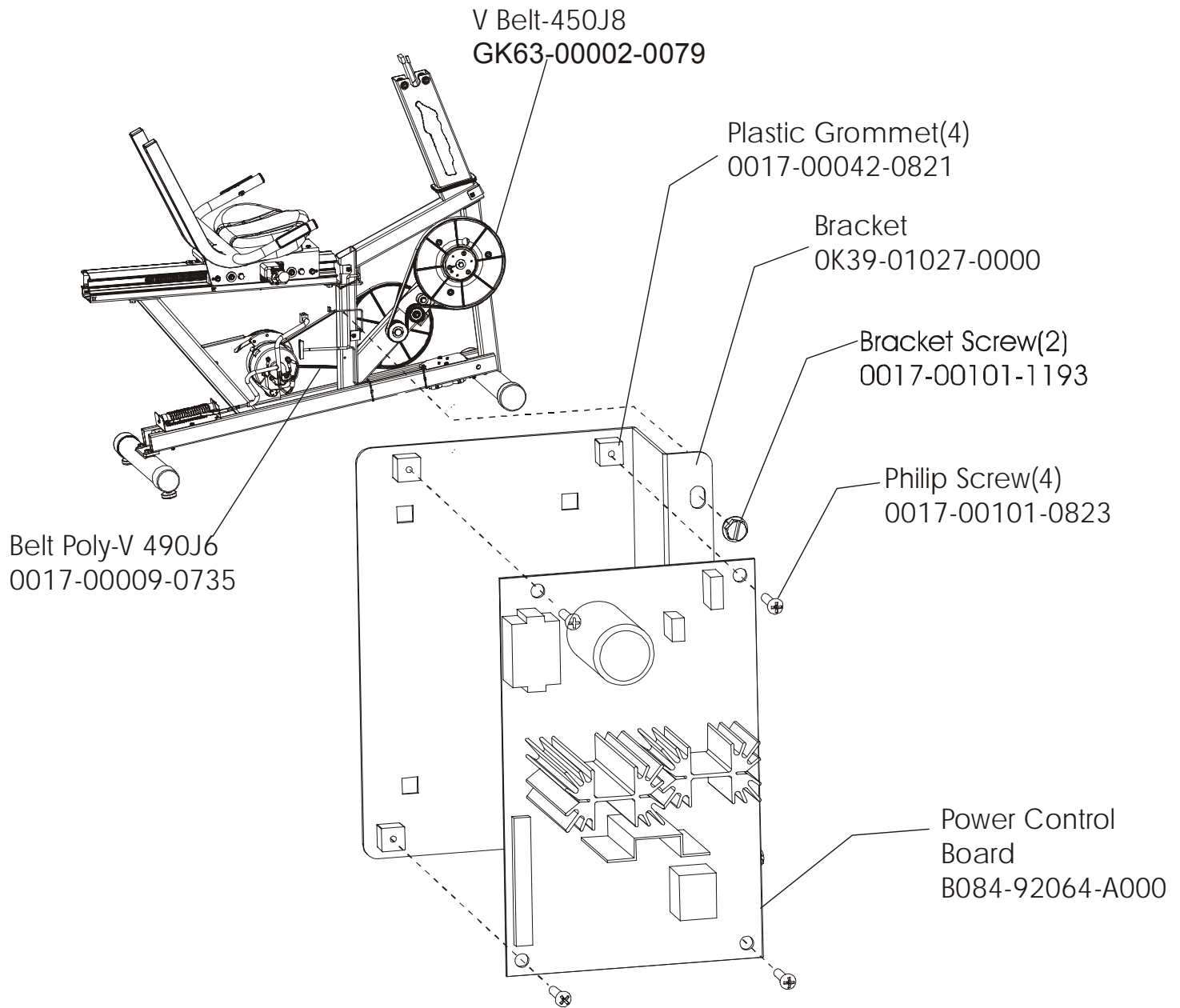
S/N CCJ100000 and UP



ARCTIC SILVER 90R
Power Control Board

90R-0XXX-02
S/N CCJ100000 and UP

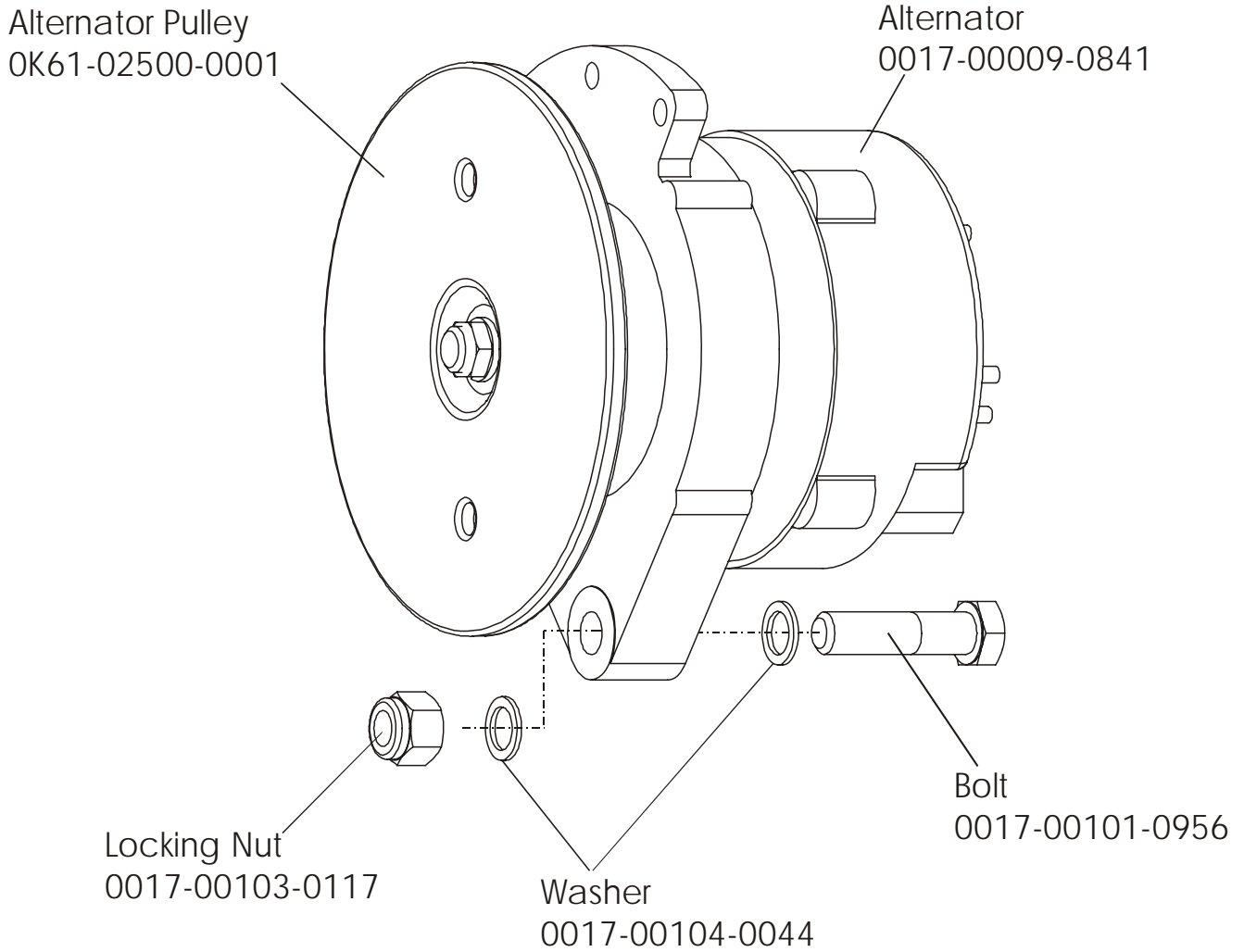
Assembly Number - AK39-00022-0002



ARCTIC SILVER 90R
Alternator w/Pulley Assembly

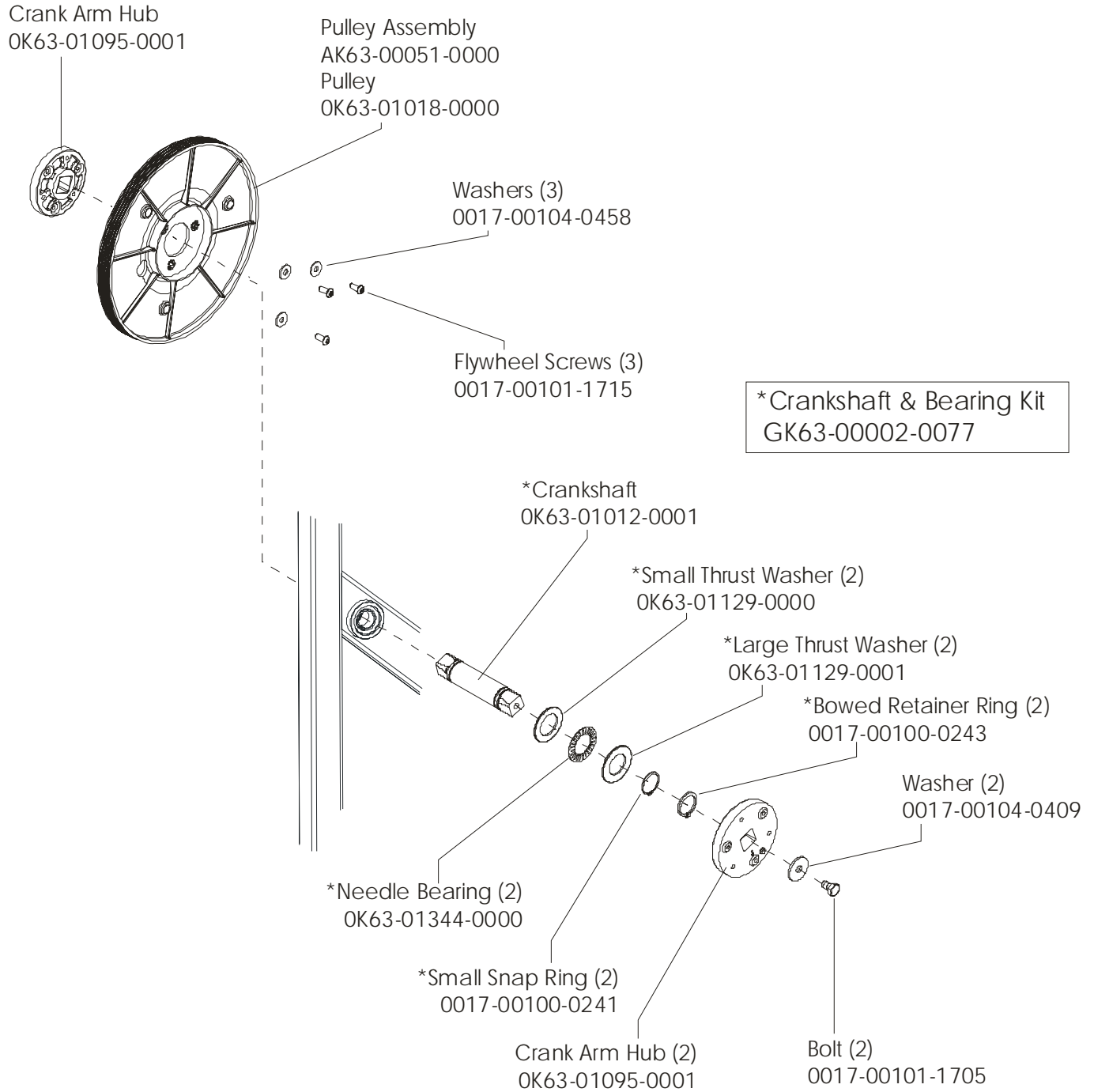
90R-0XXX-02
S/N CCJ100000 and UP

Assembly Number – AK63-00093-0000



ARCTIC SILVER 90R
Crank Shaft and Bearing Assembly

90R-0XXX-02
S/N CCJ100000 and UP

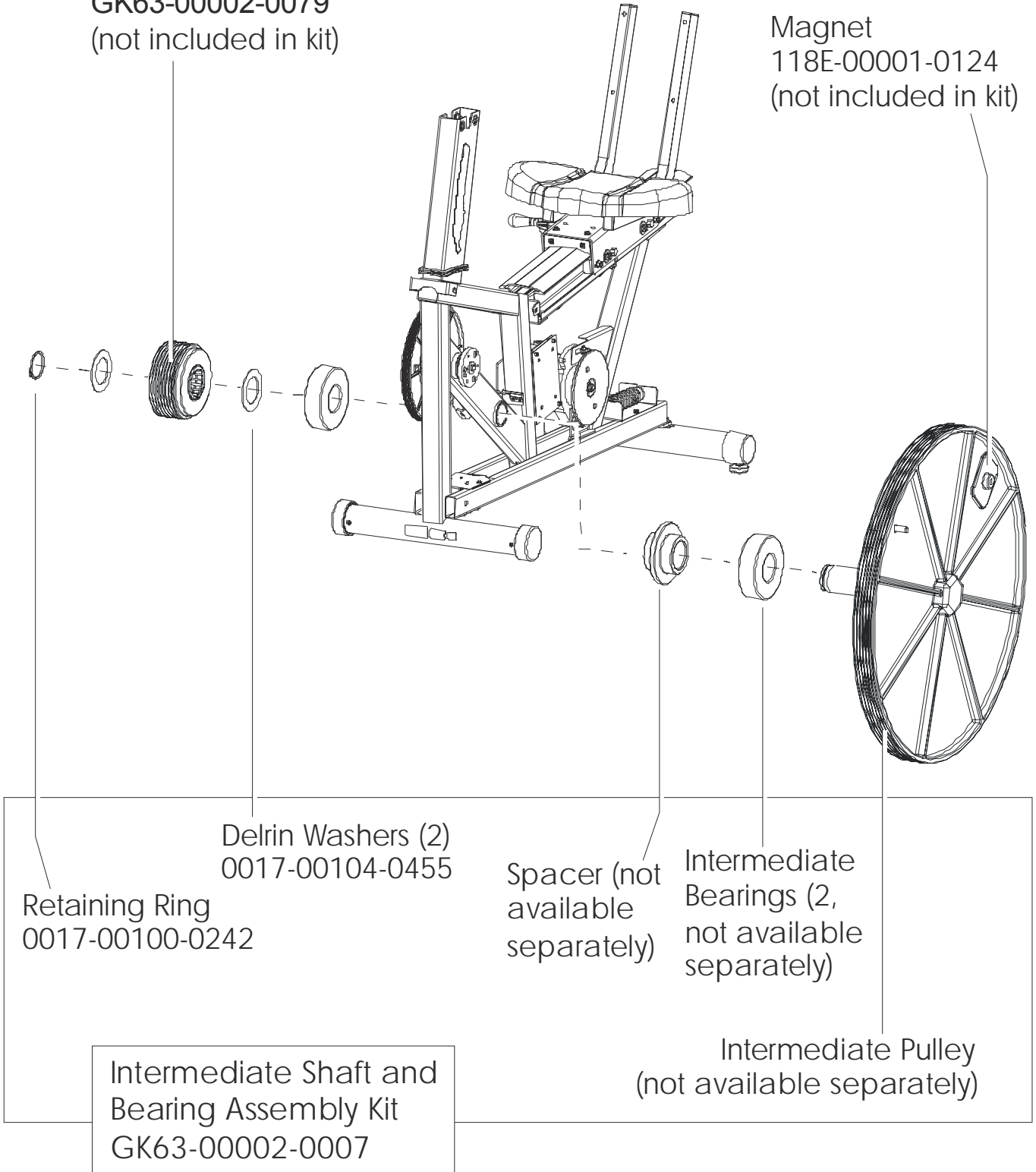


ARCTIC SILVER 90R
Intermediate Shaft and Bearing Assembly

90R-0XXX-02
S/N CCJ100000 and UP

Clutch Assembly
GK63-00002-0079
(not included in kit)

Magnet
118E-00001-0124
(not included in kit)



Retaining Ring
0017-00100-0242

Delrin Washers (2)
0017-00104-0455

Spacer (not
available
separately)

Intermediate
Bearings (2,
not available
separately)

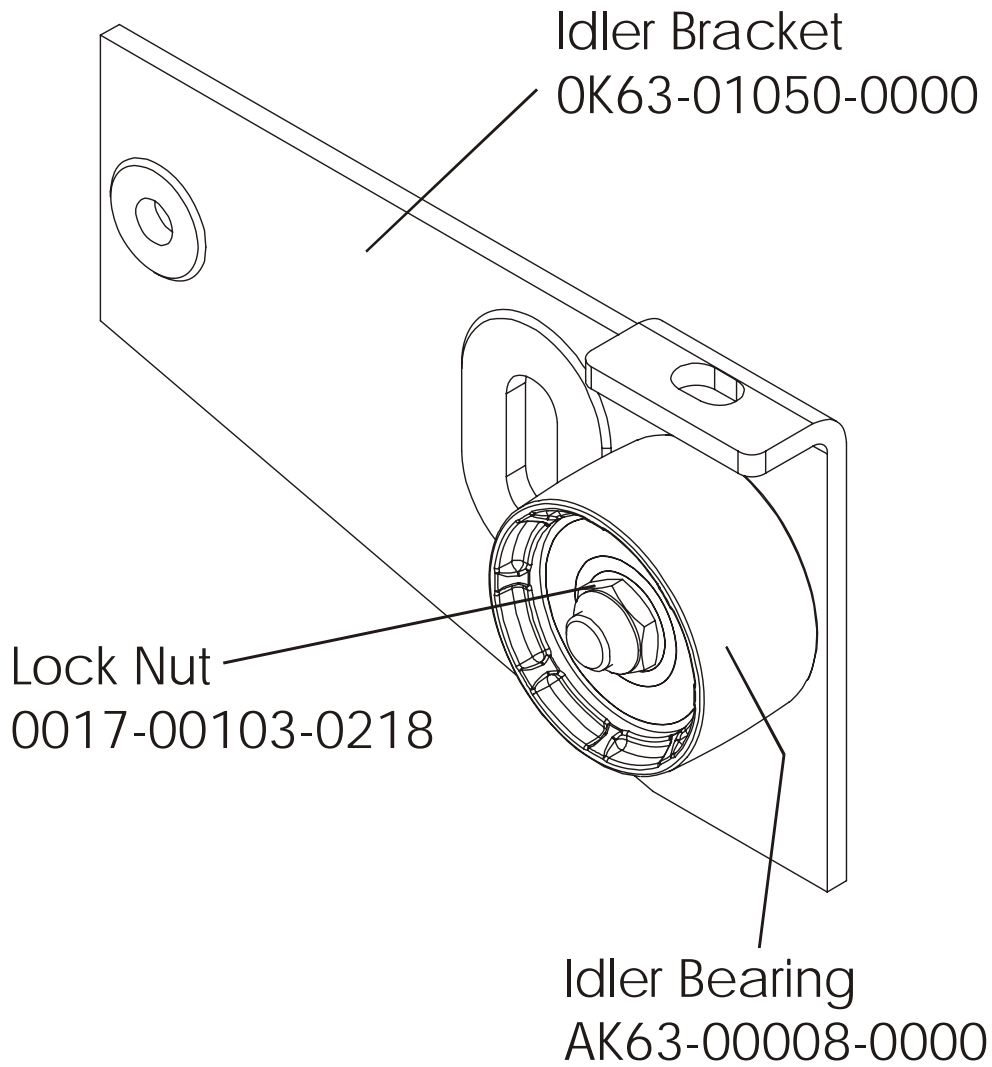
Intermediate Pulley
(not available separately)

Intermediate Shaft and
Bearing Assembly Kit
GK63-00002-0007

ARCTIC SILVER 90R
Idler Bracket Assembly

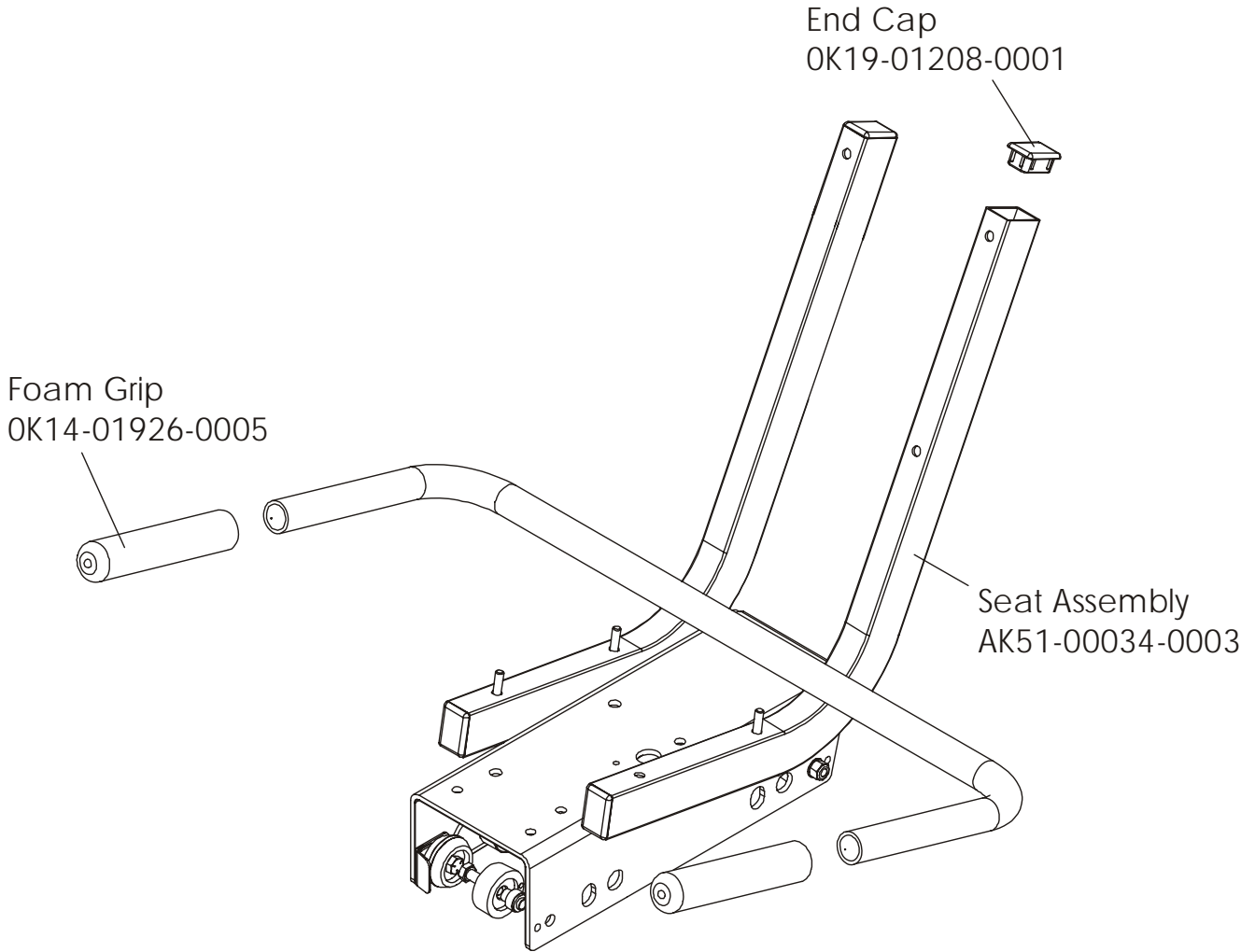
90R-0XXX-02
S/N CCJ100000 and UP

Idler Bracket Assembly – AK63-00021-0000



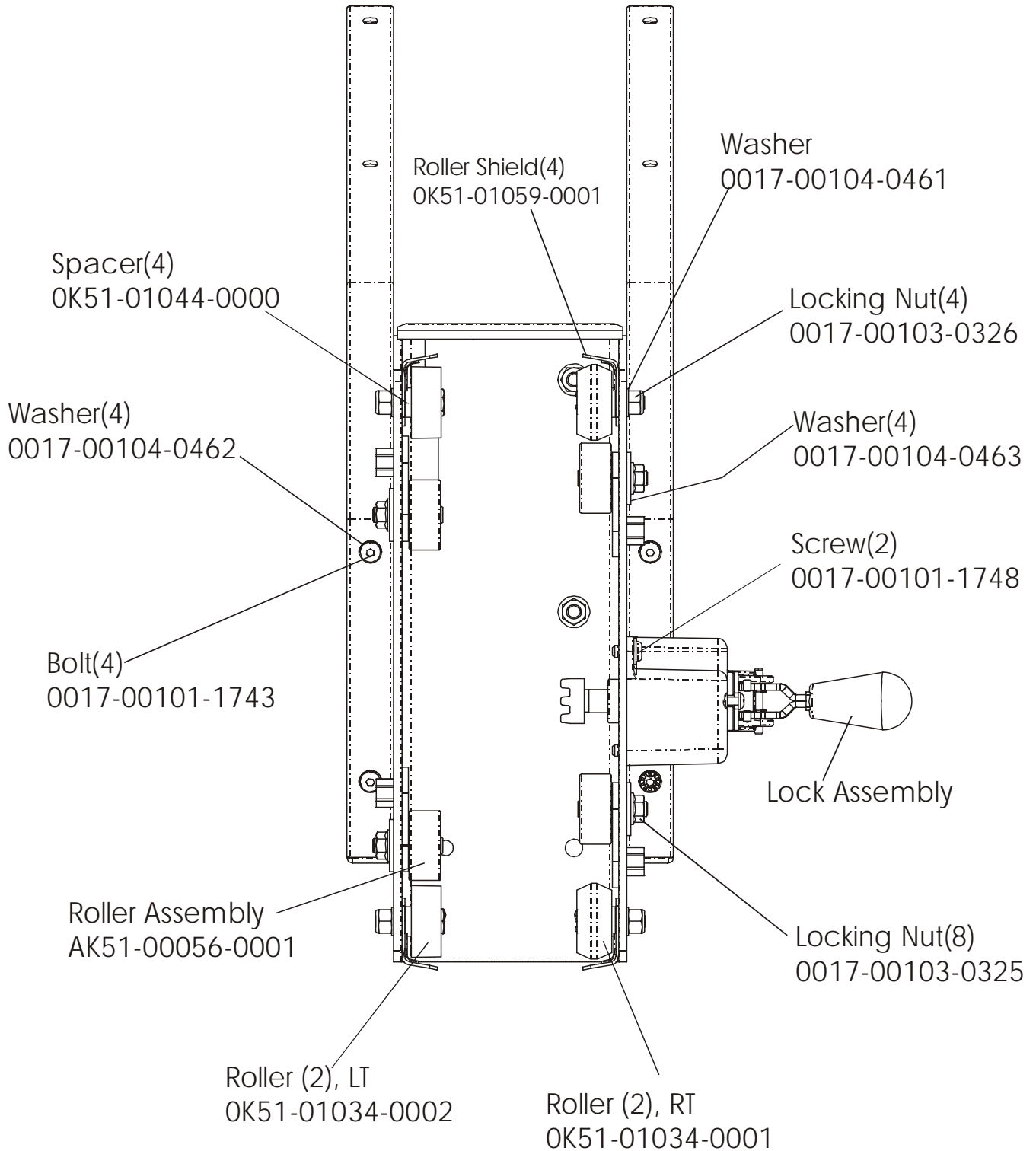
ARCTIC SILVER 90R
Seat Assembly

90R-0XXX-02
S/N CCJ100000 and UP



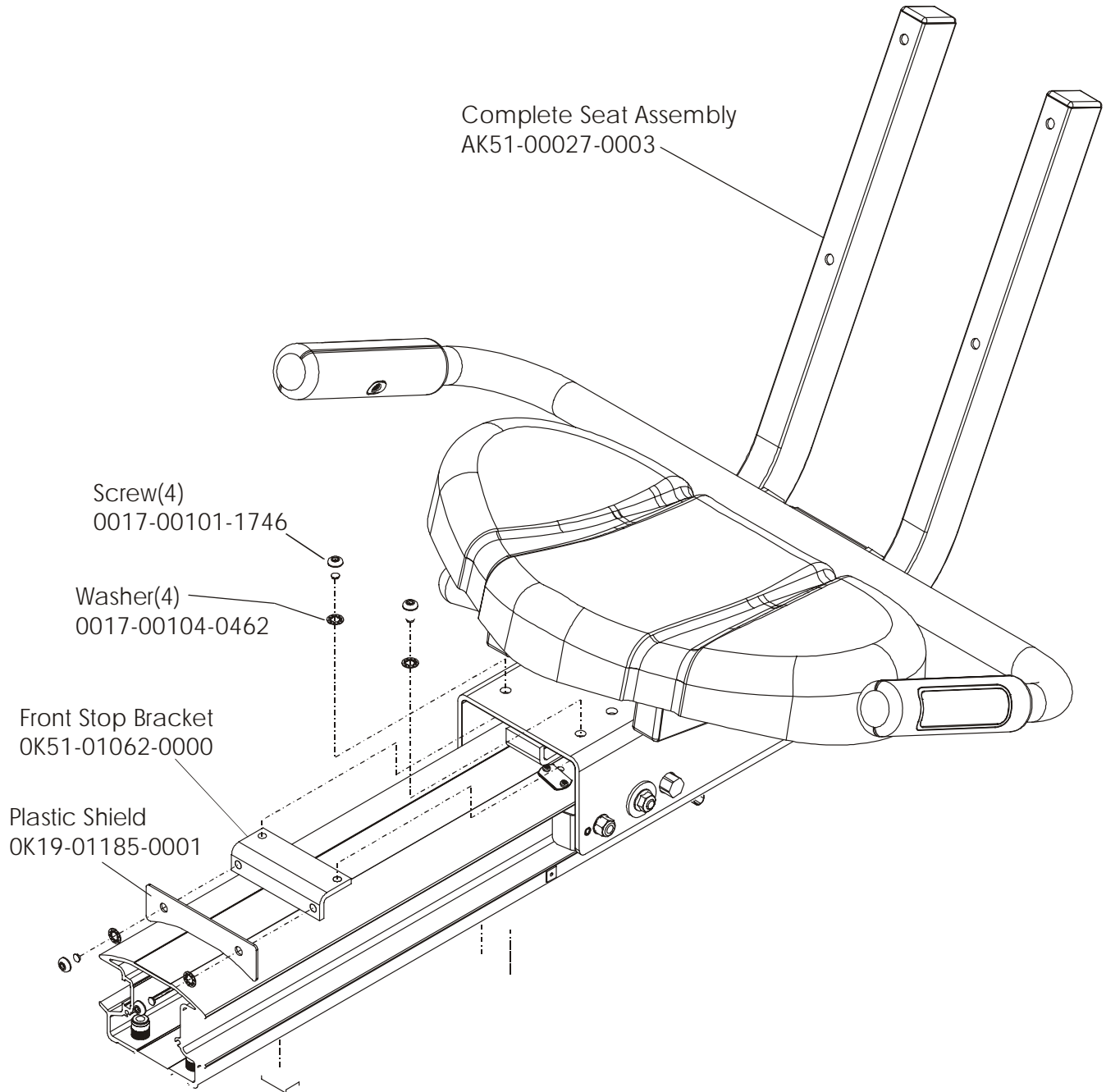
ARCTIC SILVER 90R
Seat Assembly - Bottom

90R-0XXX-02
S/N CCJ100000 and UP



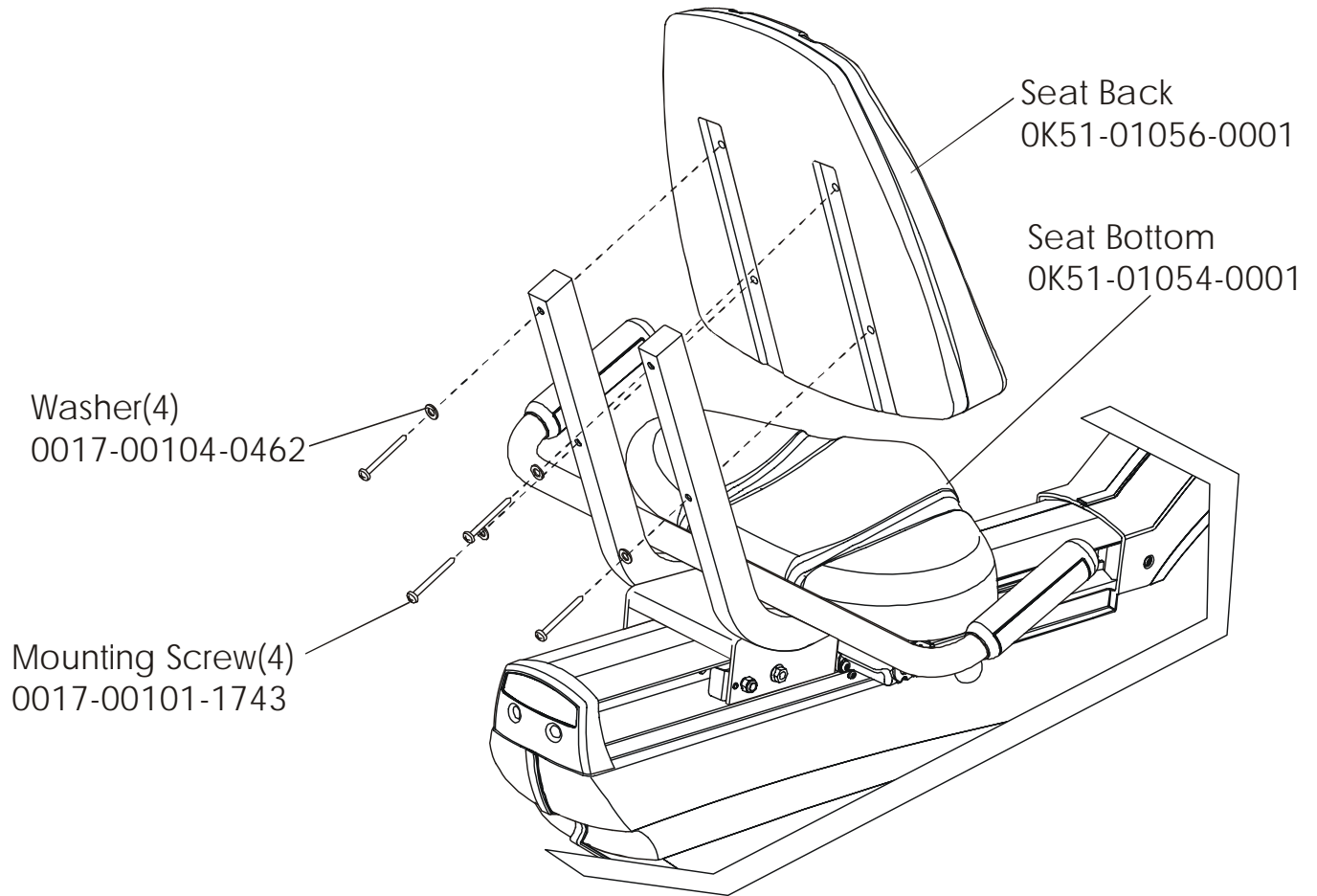
ARCTIC SILVER 90R
Seat Frame Assembly

90R-0XXX-02
S/N CCJ100000 and UP



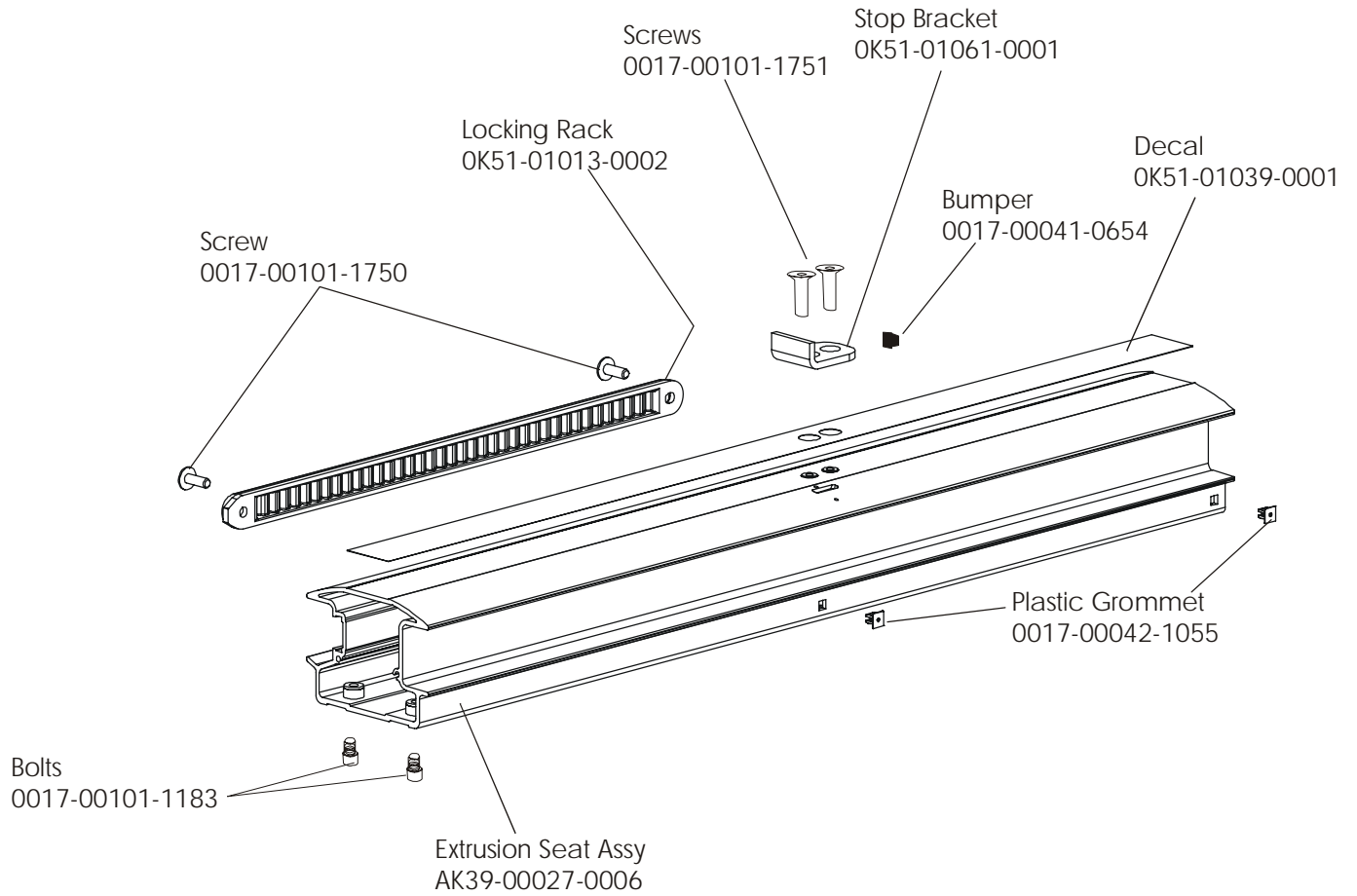
ARCTIC SILVER 90R
Seat Pads and Accessory Tray

90R-0XXX-02
S/N CCJ100000 and UP



ARCTIC SILVER 90R
Extrusion Assembly – AK39-00027-0006

90R-0XXX-02
S/N CCJ100000 and UP

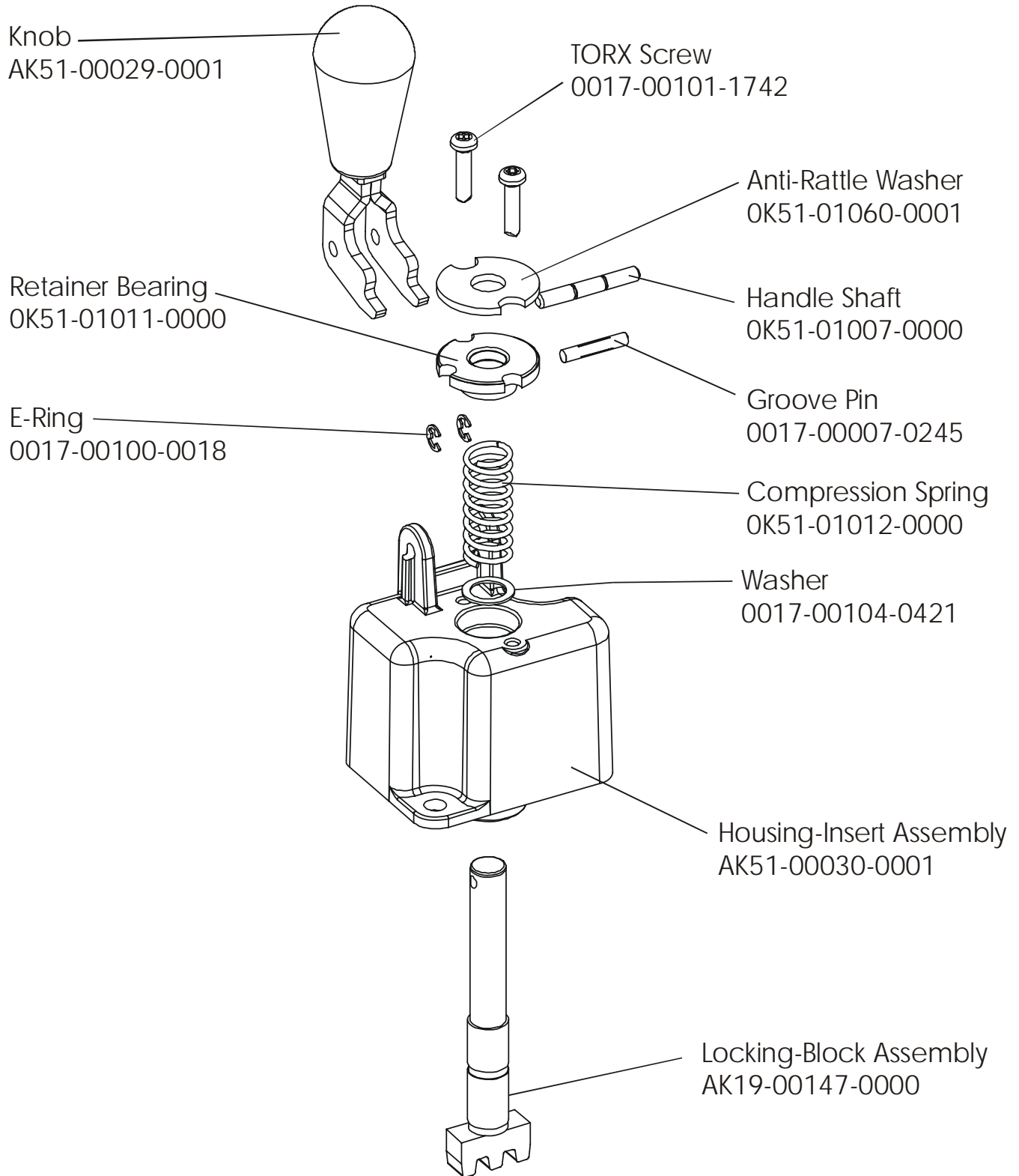


ARCTIC SILVER 90R

Locking Assembly – AK51-00053-0001

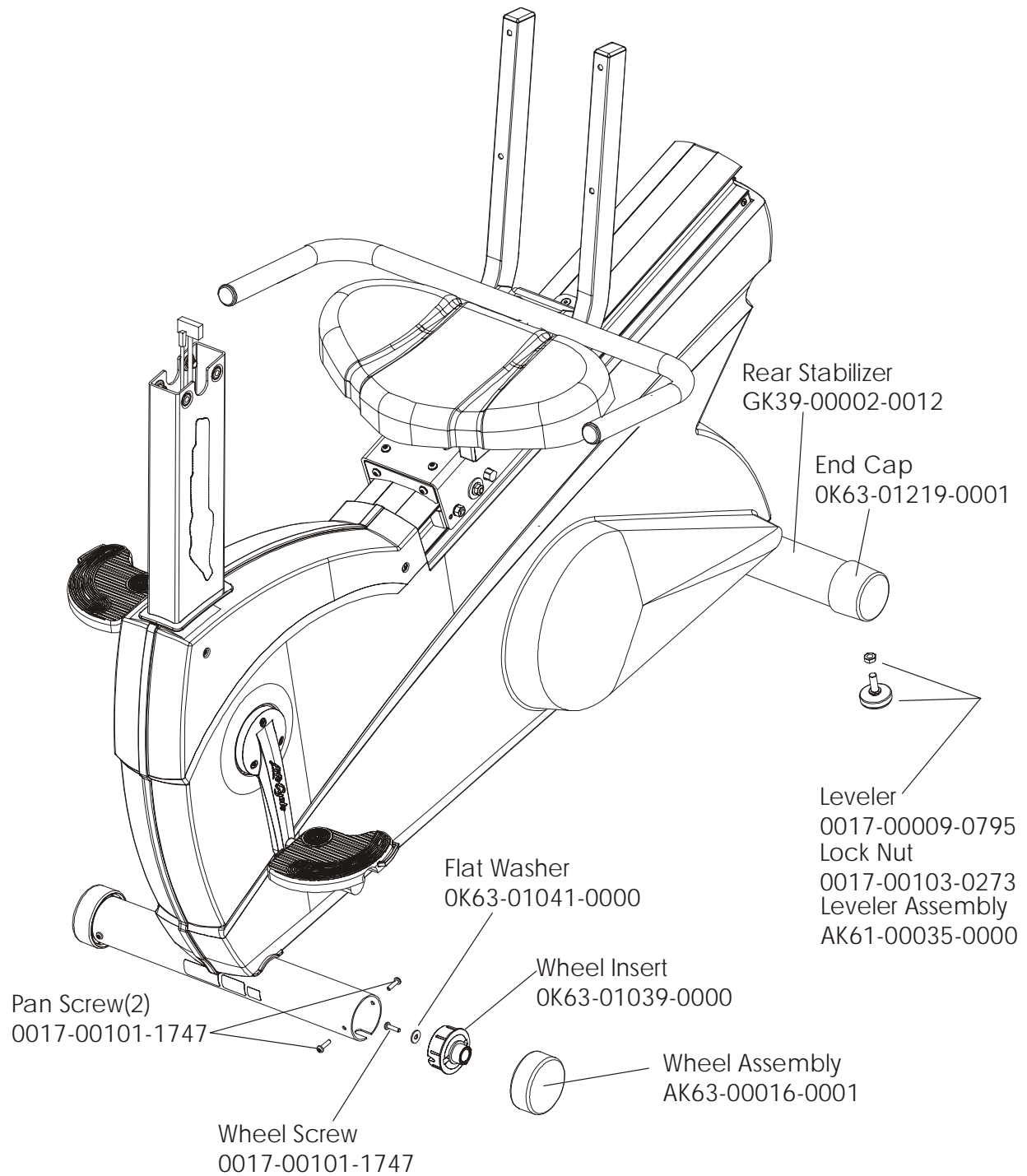
90R-0XXX-02

S/N CCJ100000 and UP



ARCTIC SILVER 90R
Wheel and Leveler

90R-0XXX-02
S/N CCJ100000 and UP



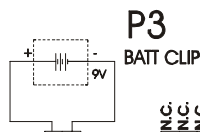
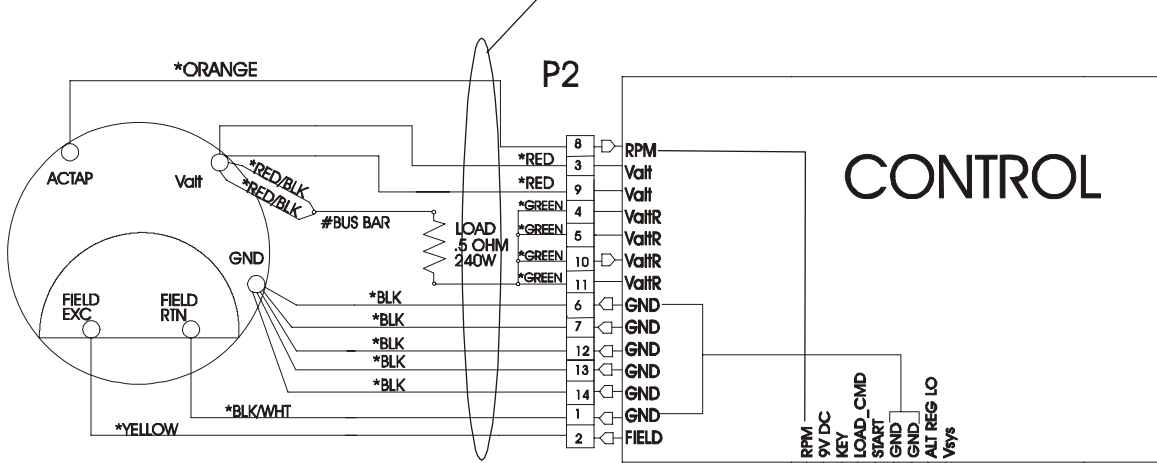
ARCTIC SILVER 90R

Cables

90R-0XXX-02

S/N CCJ100000 and UP

Cable (Alternator to control)
AK39-00009-0000



Cable Main
AK39-00008-0000

