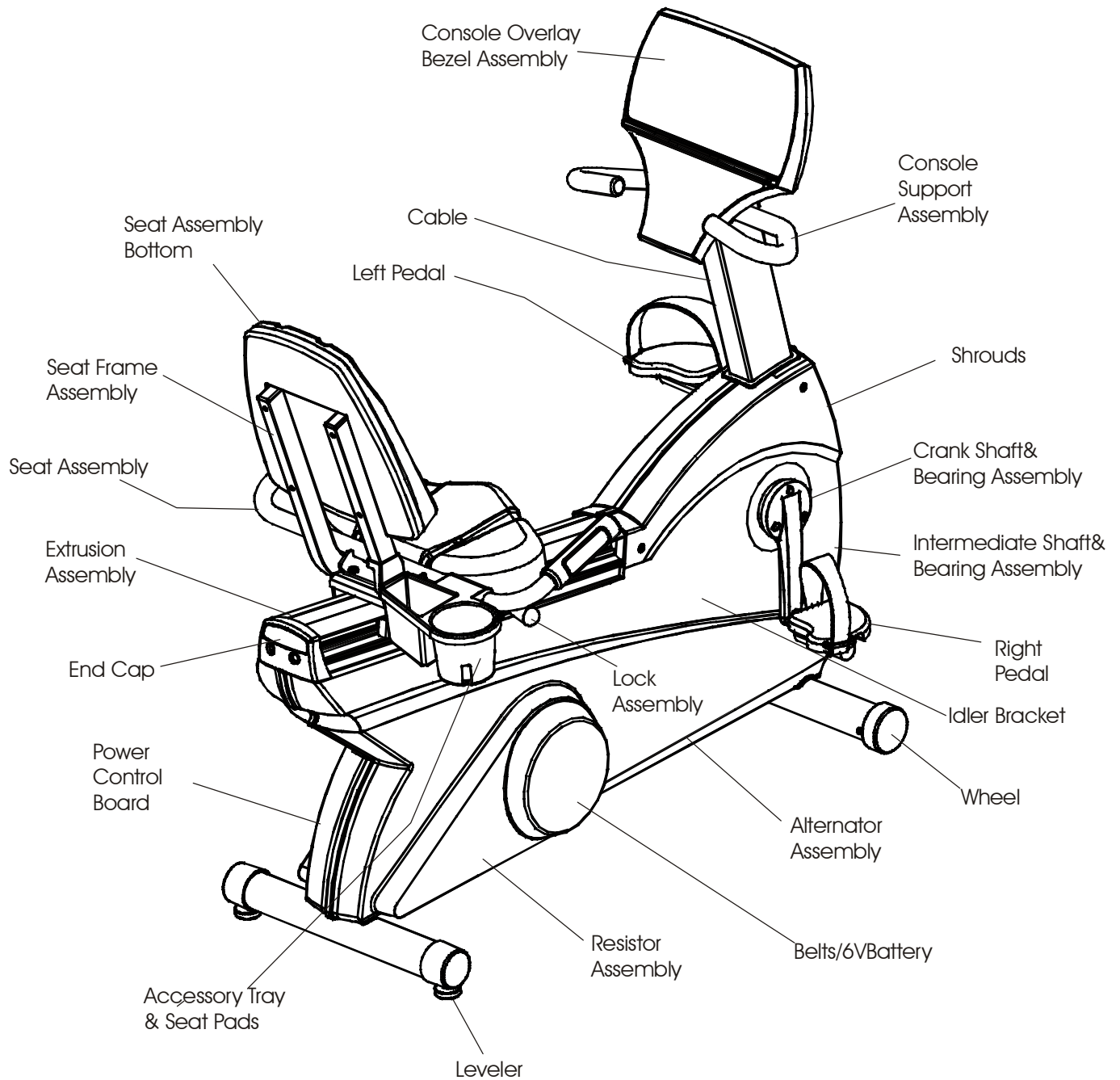
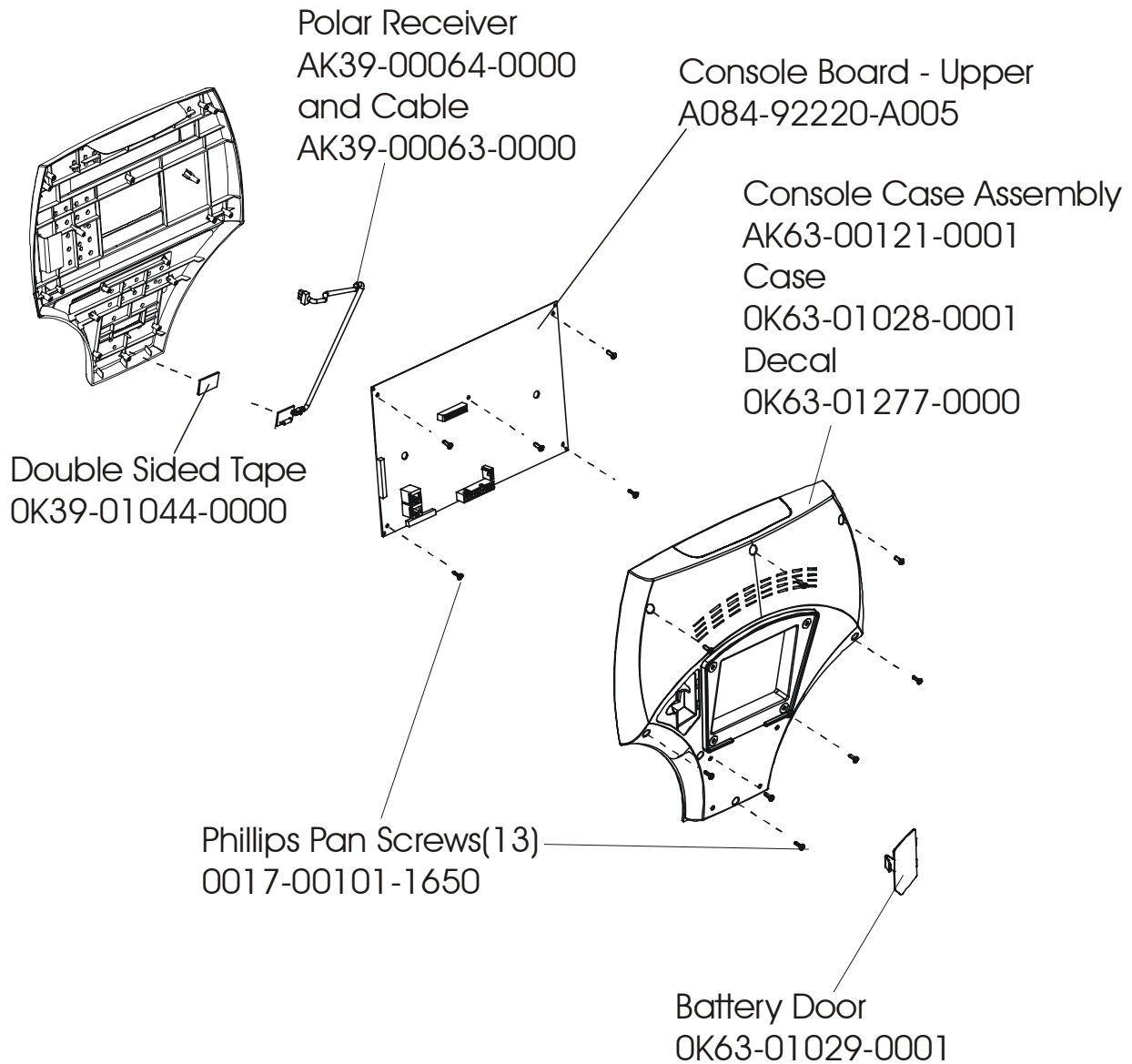


Life Cycle 93R
General Assembly

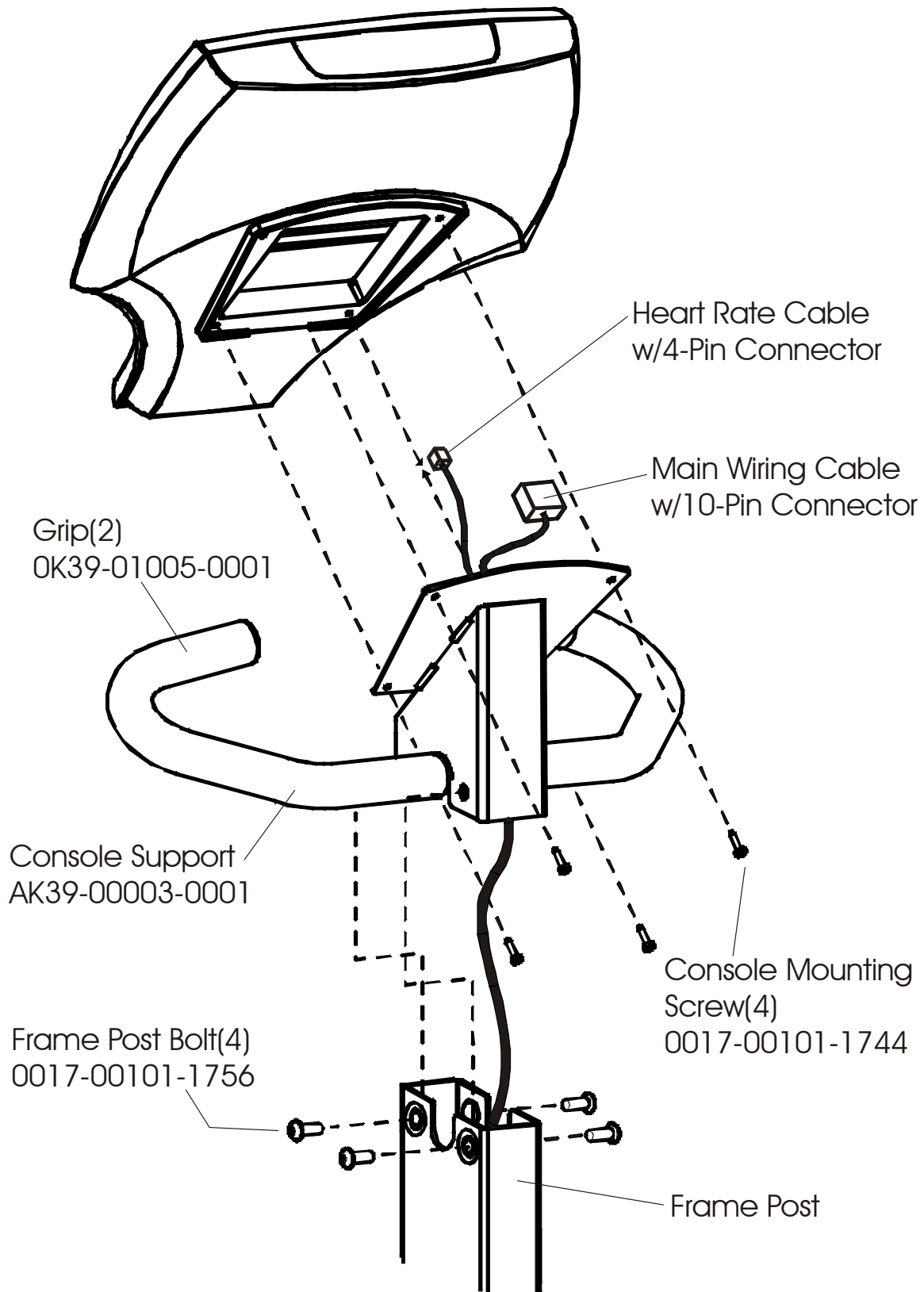
93R-0XXX-01
S/N LRB100001



Description	Part Number
Service Manual	M051-00K39-A012
Operation Manual	M051-00K39-A020
Hardware Bag	GK39-00002-00008
Network C-Safe Kit	GK63-00002-0003

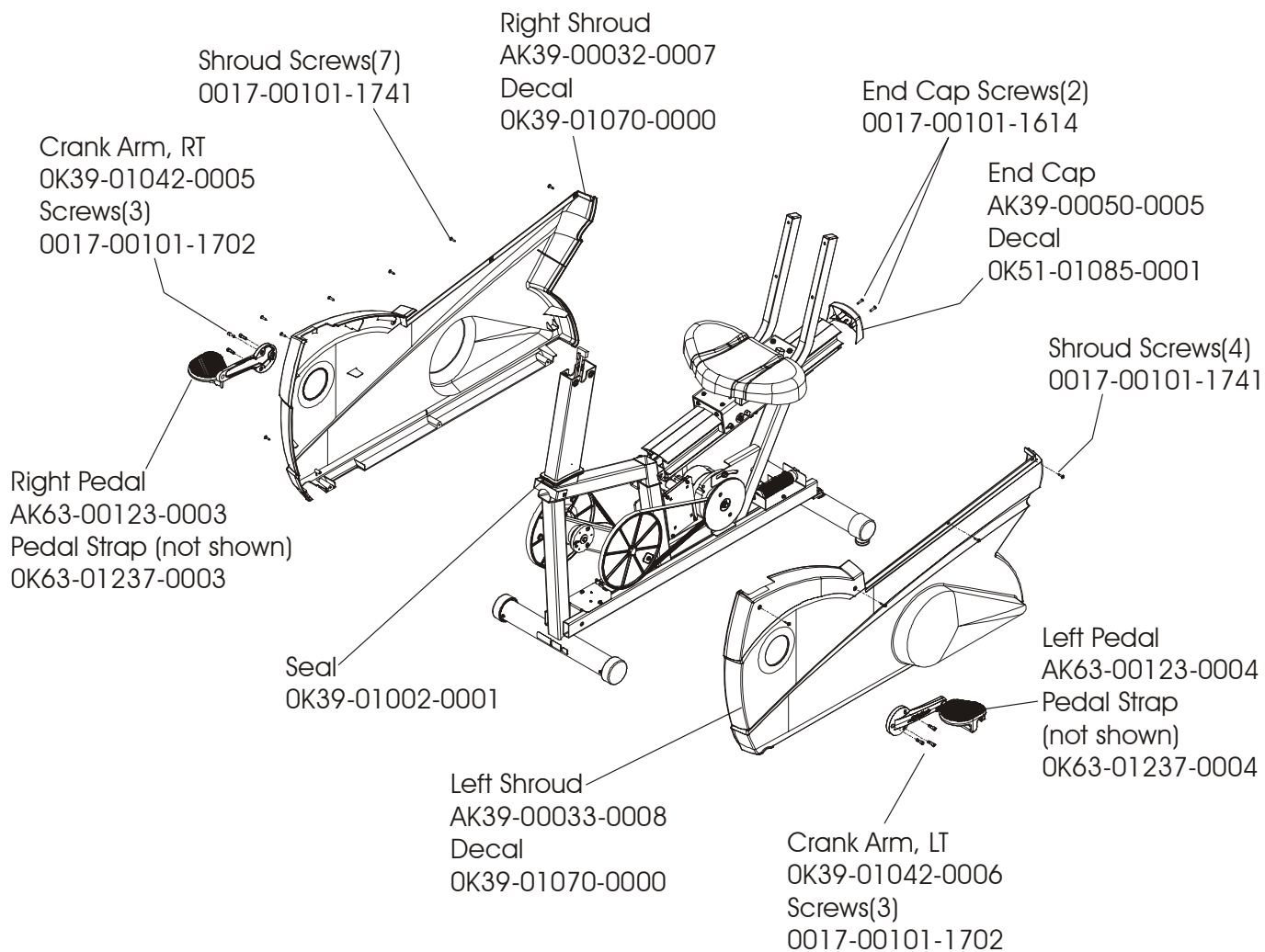


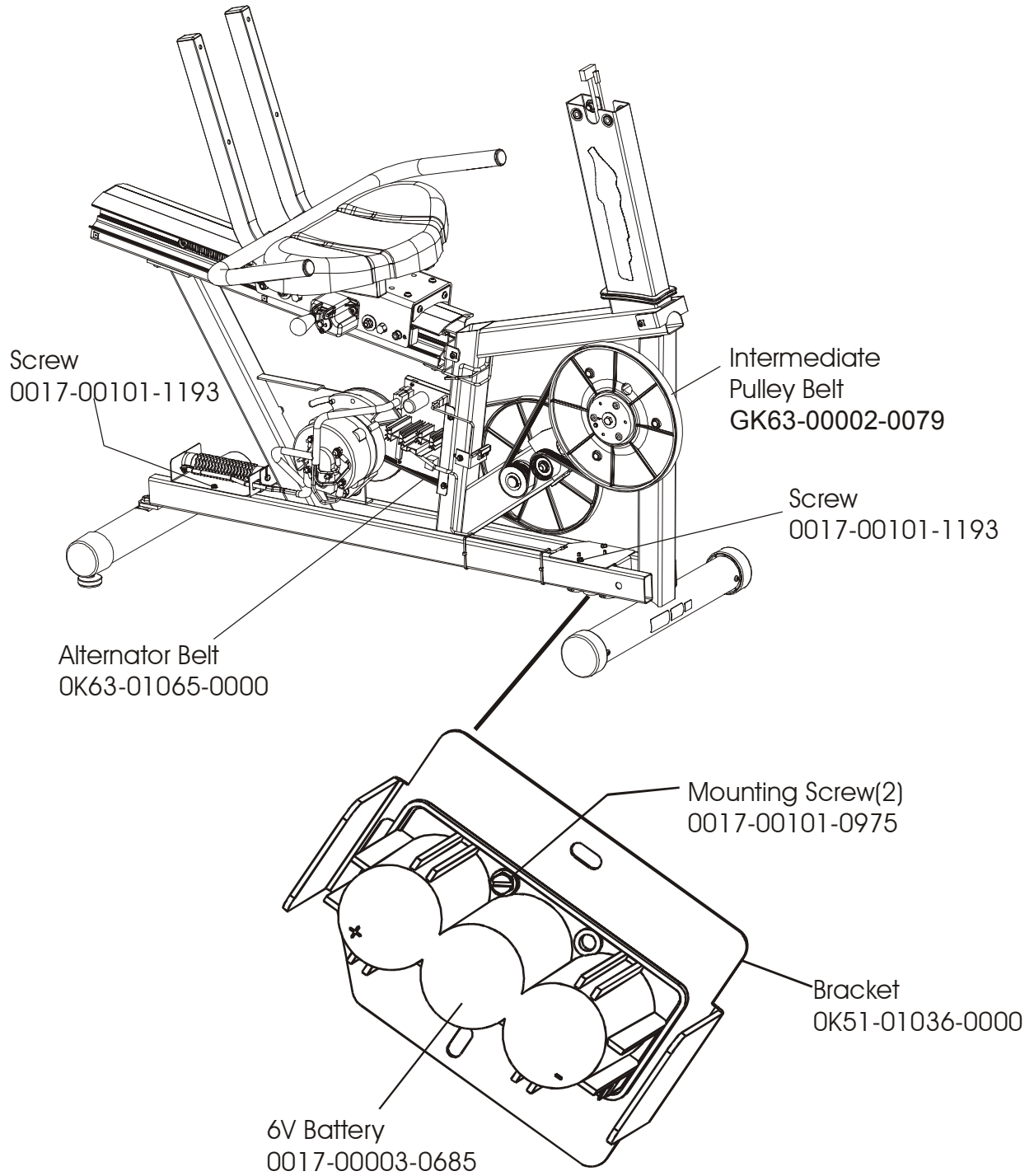
Console Assembly	Overlay Bezel
AK39-00071-0001 Eng Met	AK63-00167-0001 Eng Met
AK39-00071-0002 Eng Met	AK63-00167-0003 Ger Met
AK39-00071-0003 Ger Met	AK63-00167-0004 Spn Met
AK39-00071-0004 Spn Met	AK63-00167-0006 Jap Met
AK39-00071-0006 Jap Met	AK63-00167-0007 Frn Met
AK39-00071-0007 Frn Met	AK63-00167-0008 Itl Met
AK39-00071-0008 Itl Met	AK63-00167-0009 Dut Met
AK39-00071-0009 Dut Met	

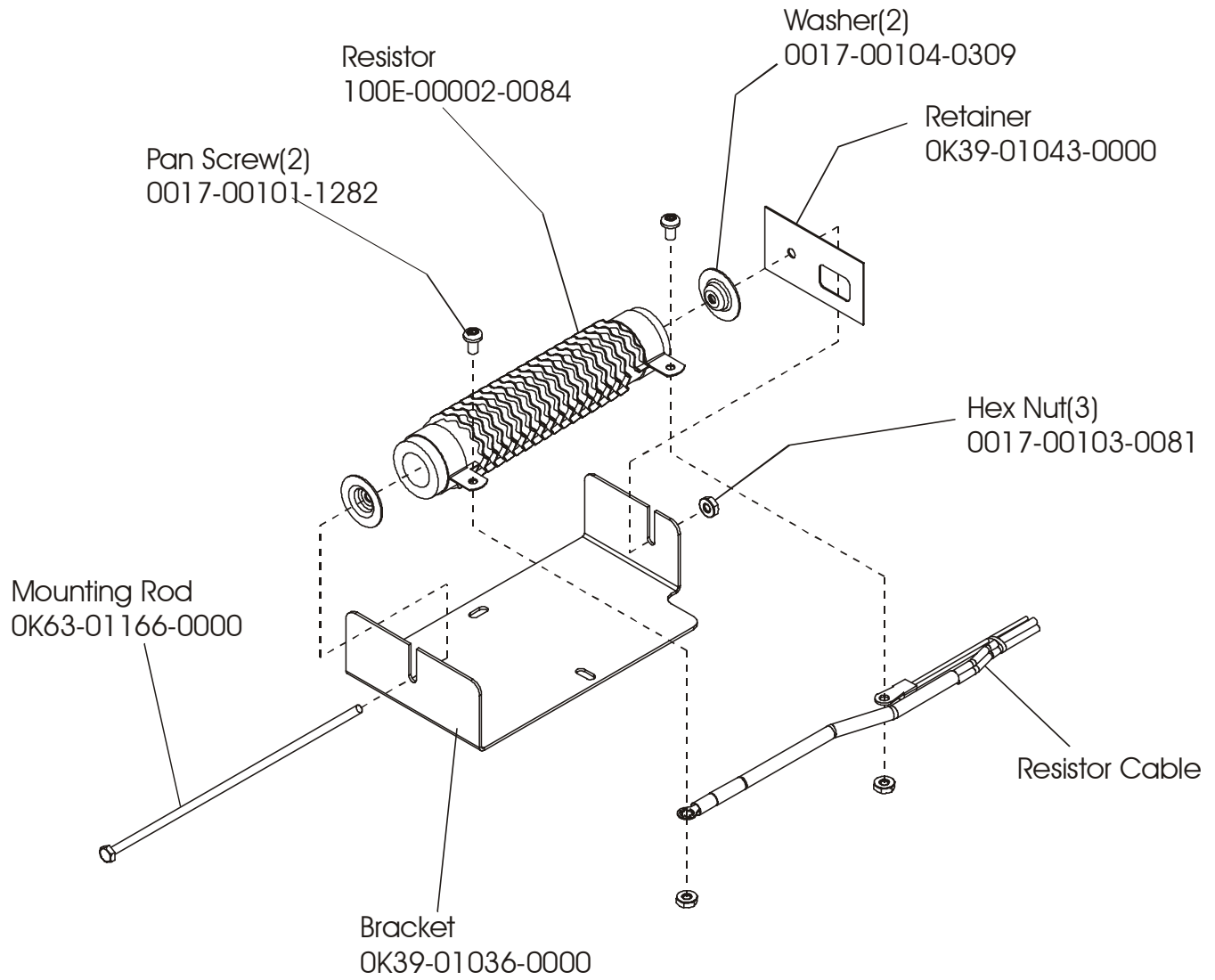


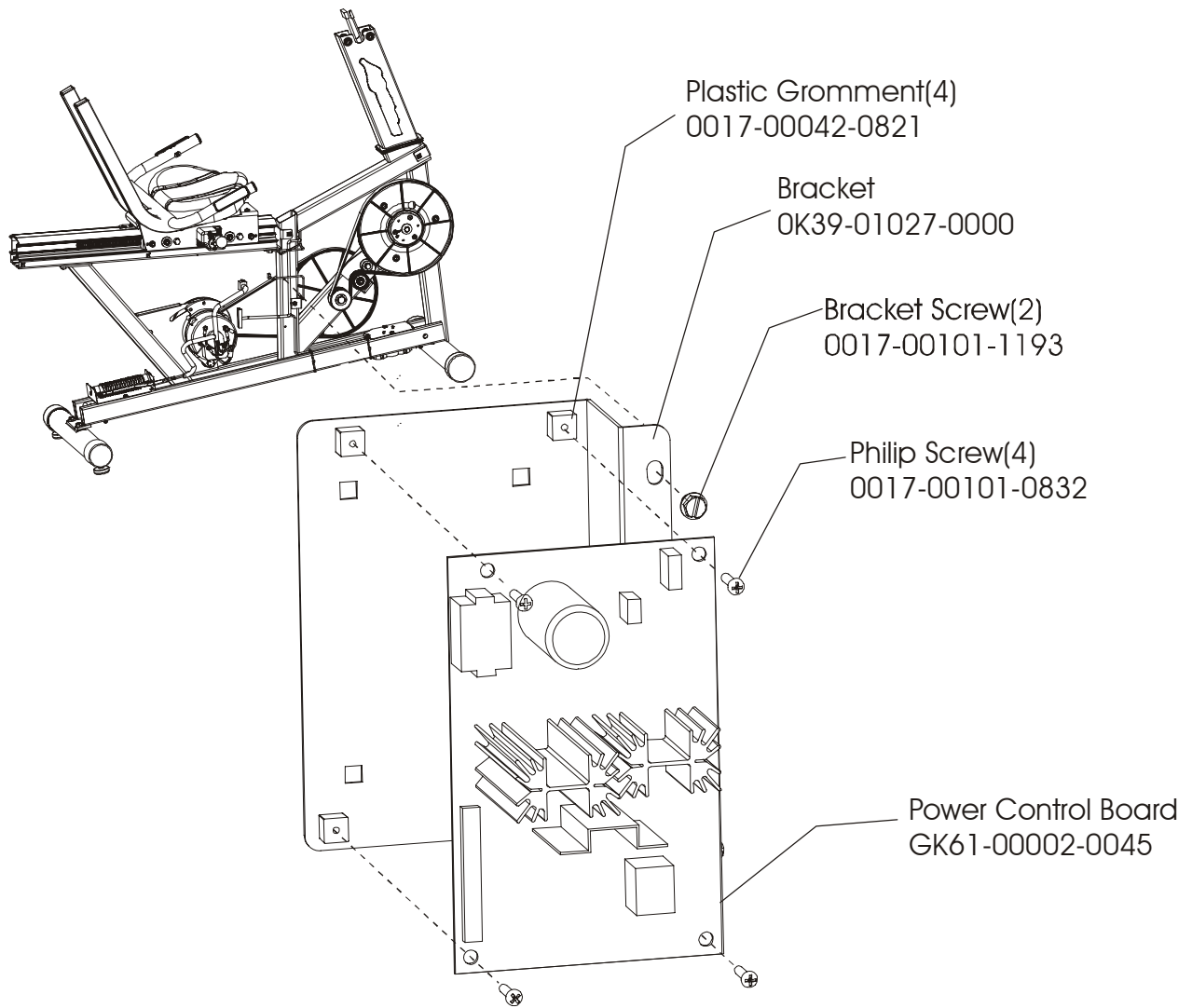
Life Cycle 93R
Shrouds, End Cap, Crank Arm

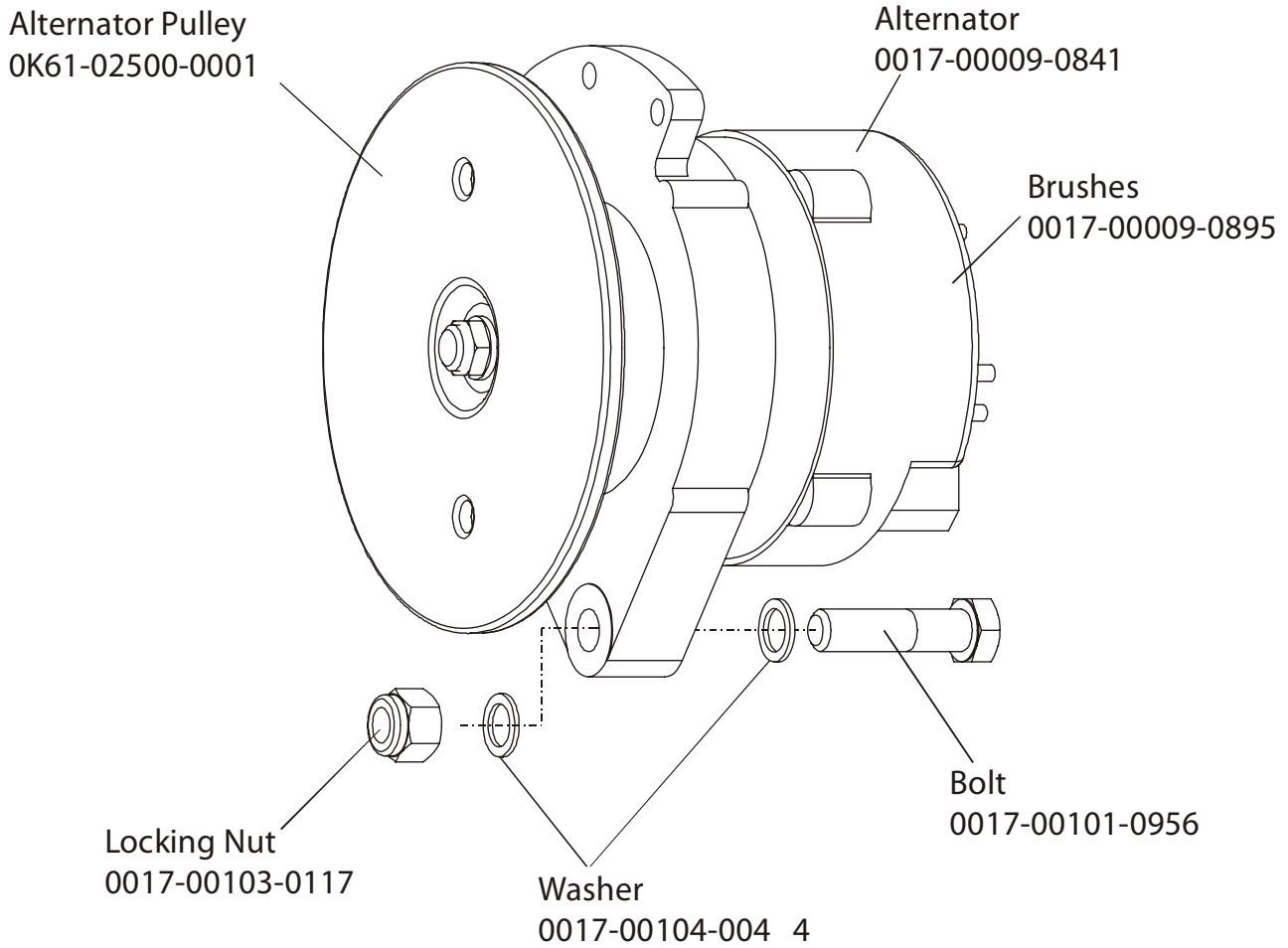
93R-0XXX-01
S/N LRB100001





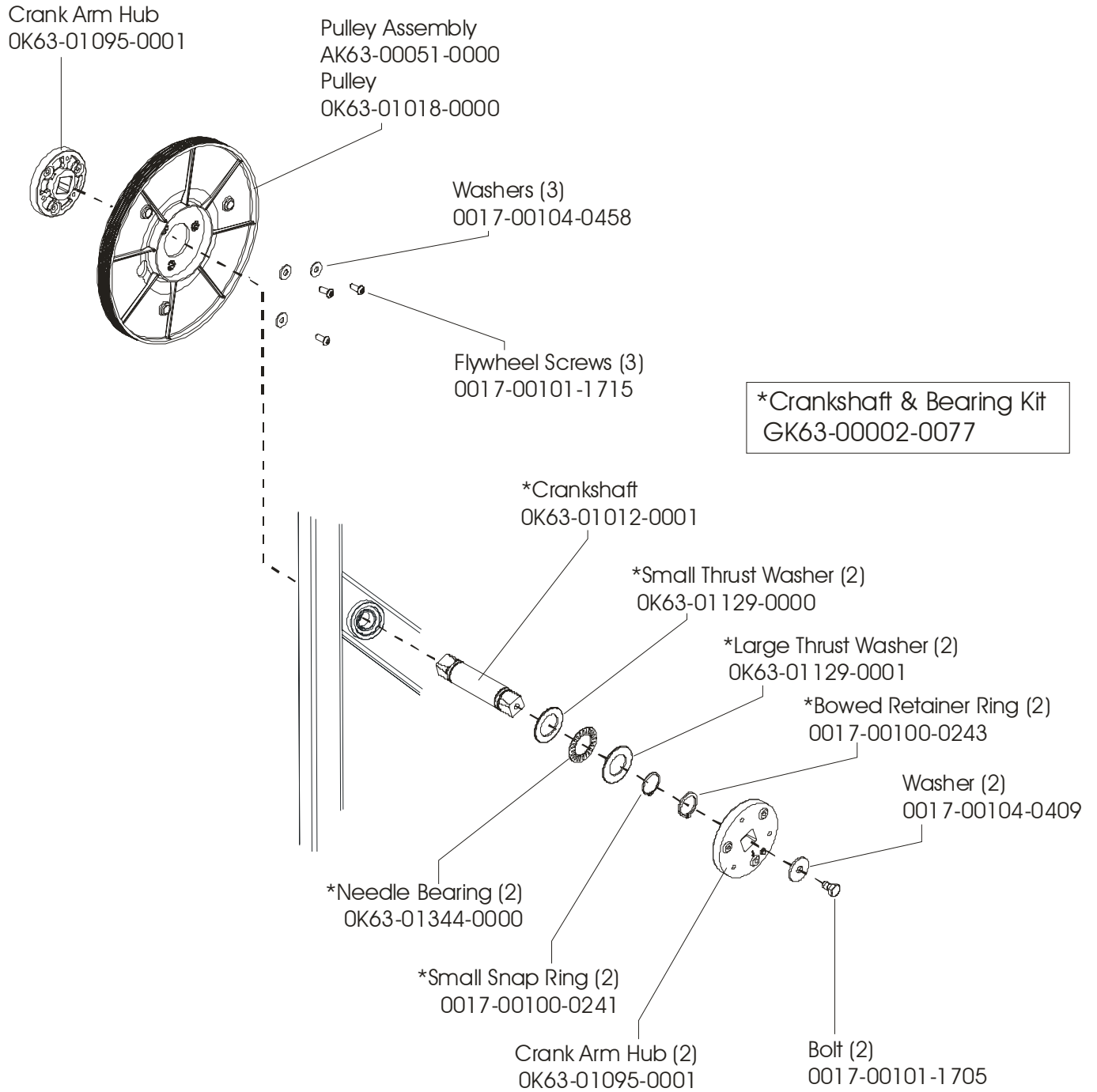


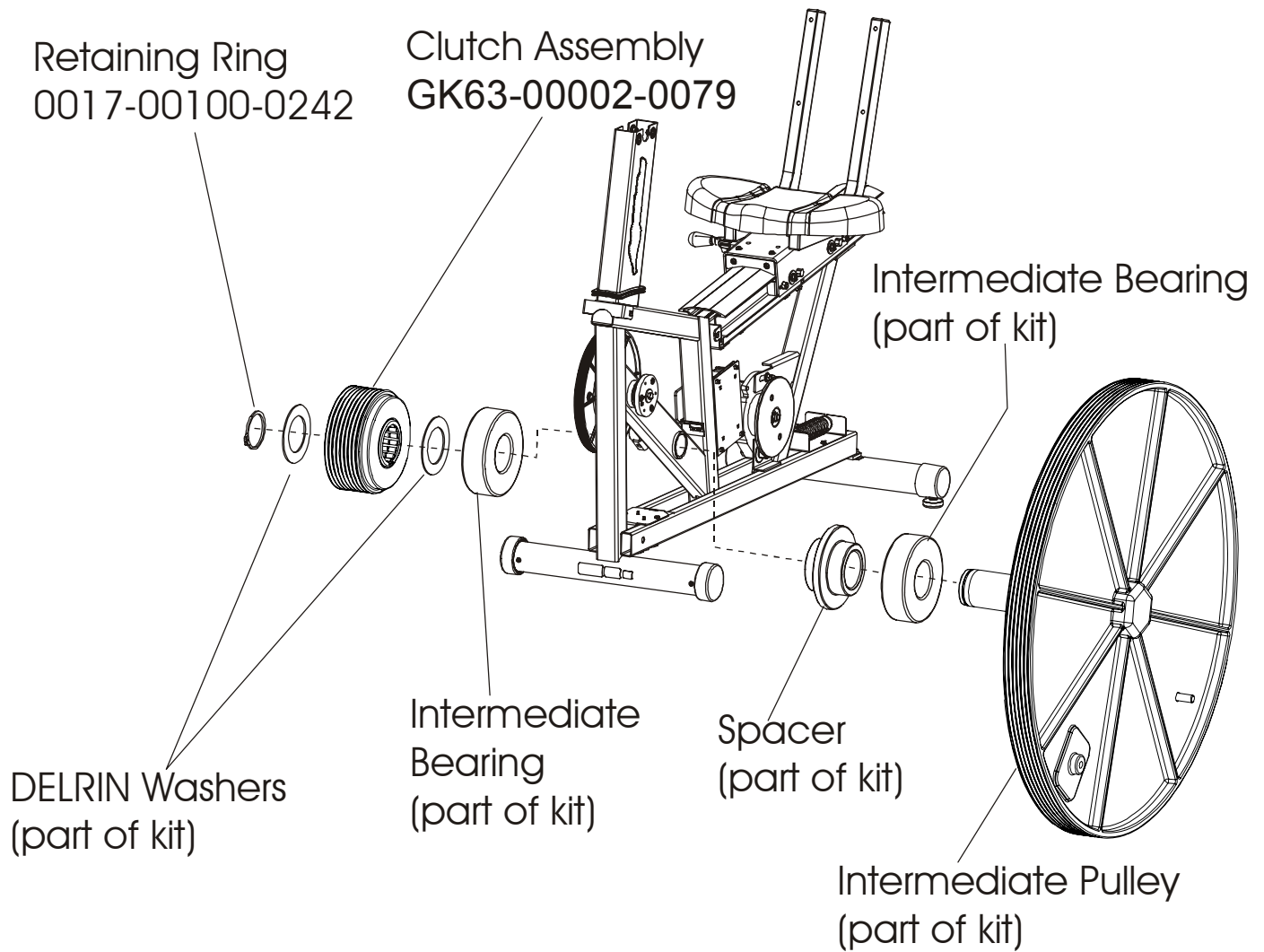


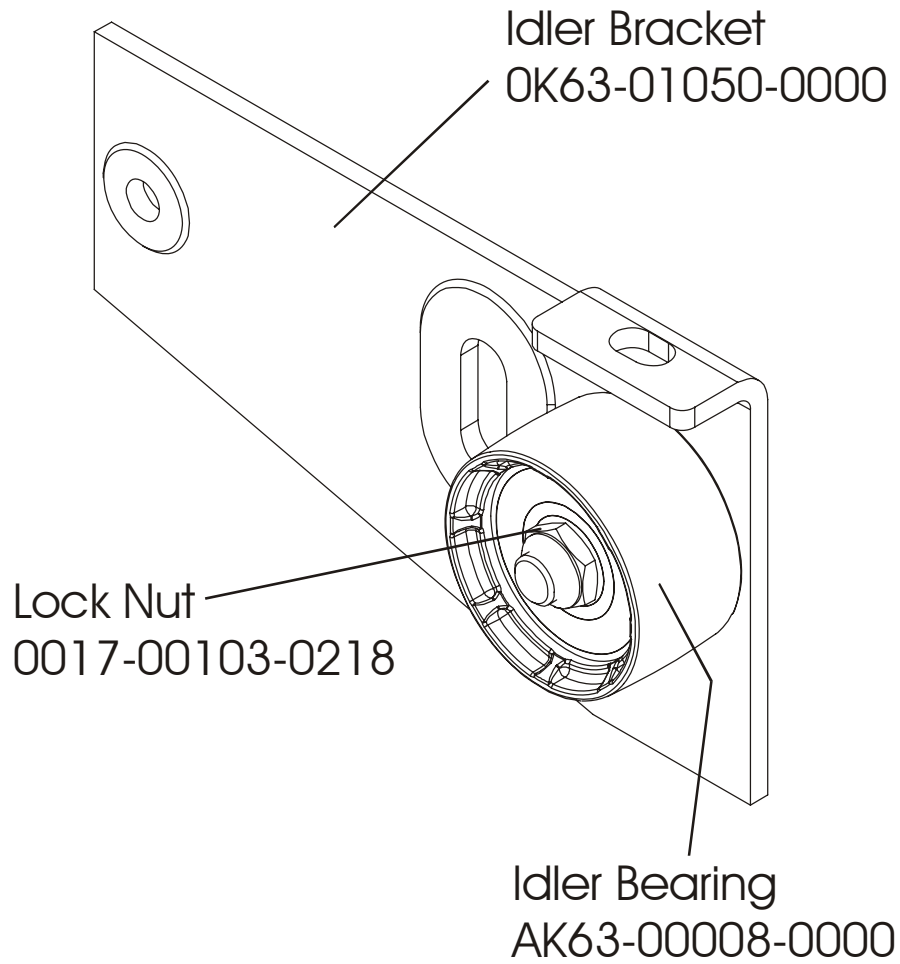


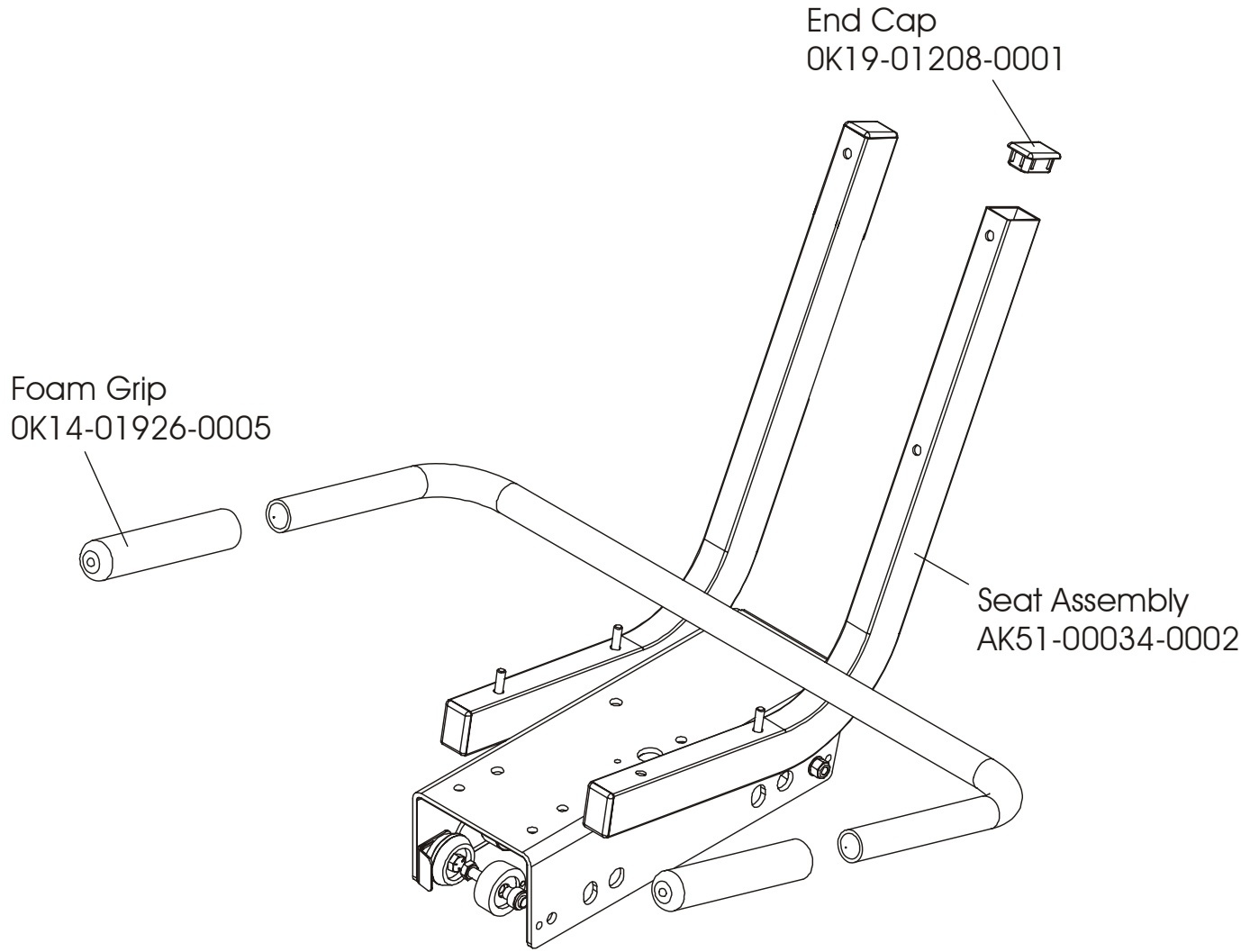
Life Cycle 93R
Crank Shaft and Bearing Assembly
GK63-00002-0077

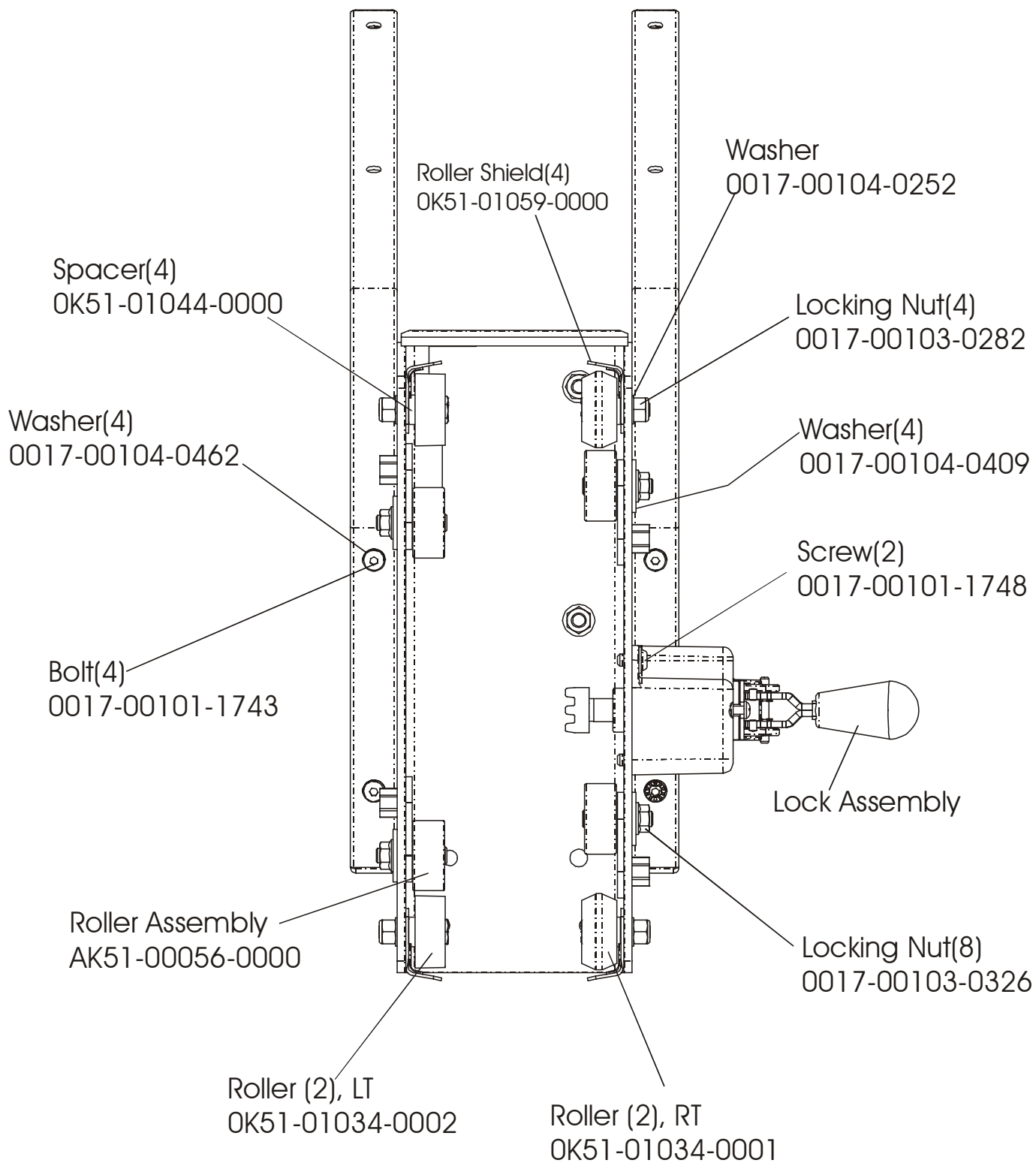
93R-0XXX-01
S/N LRB100001

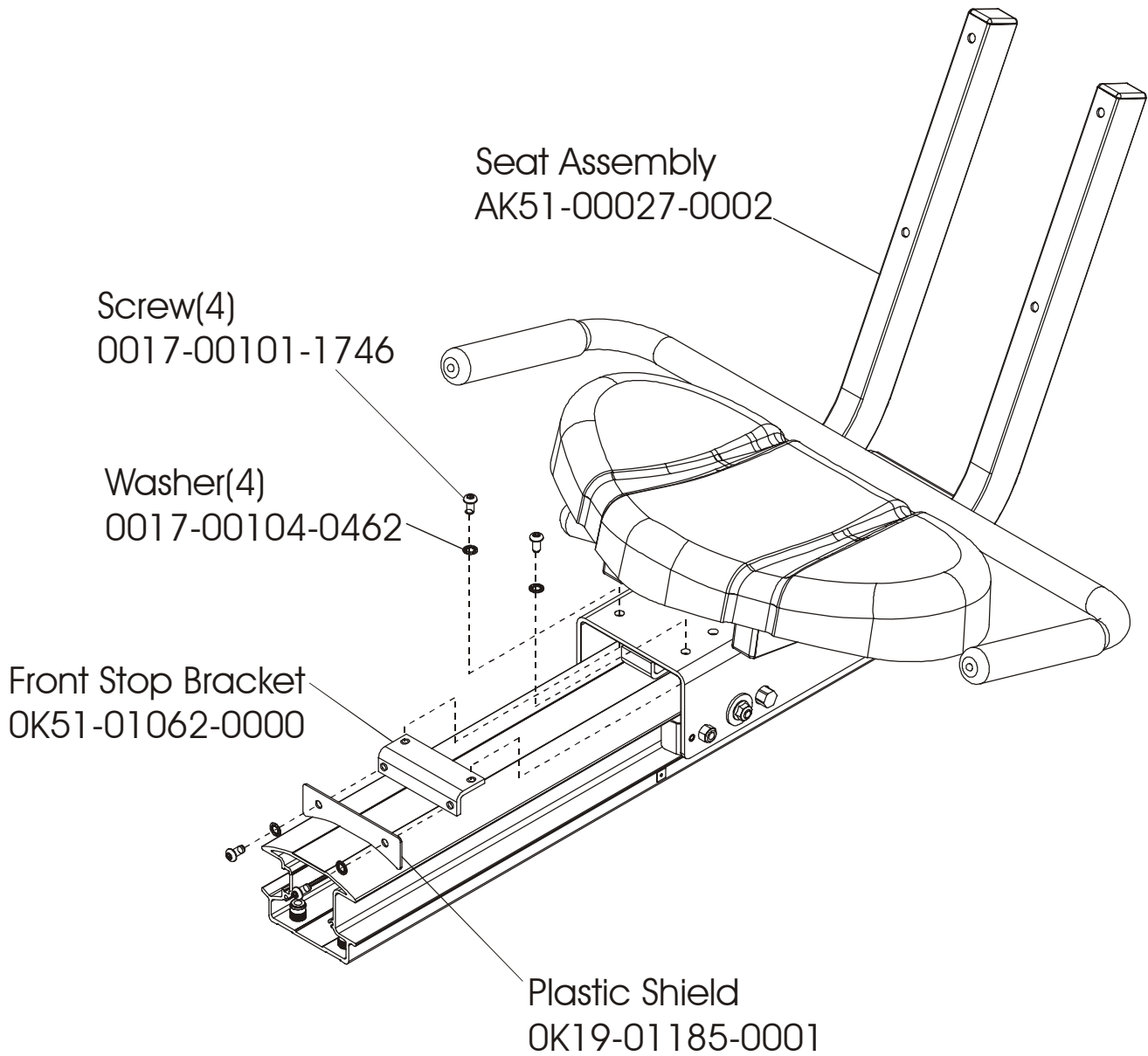


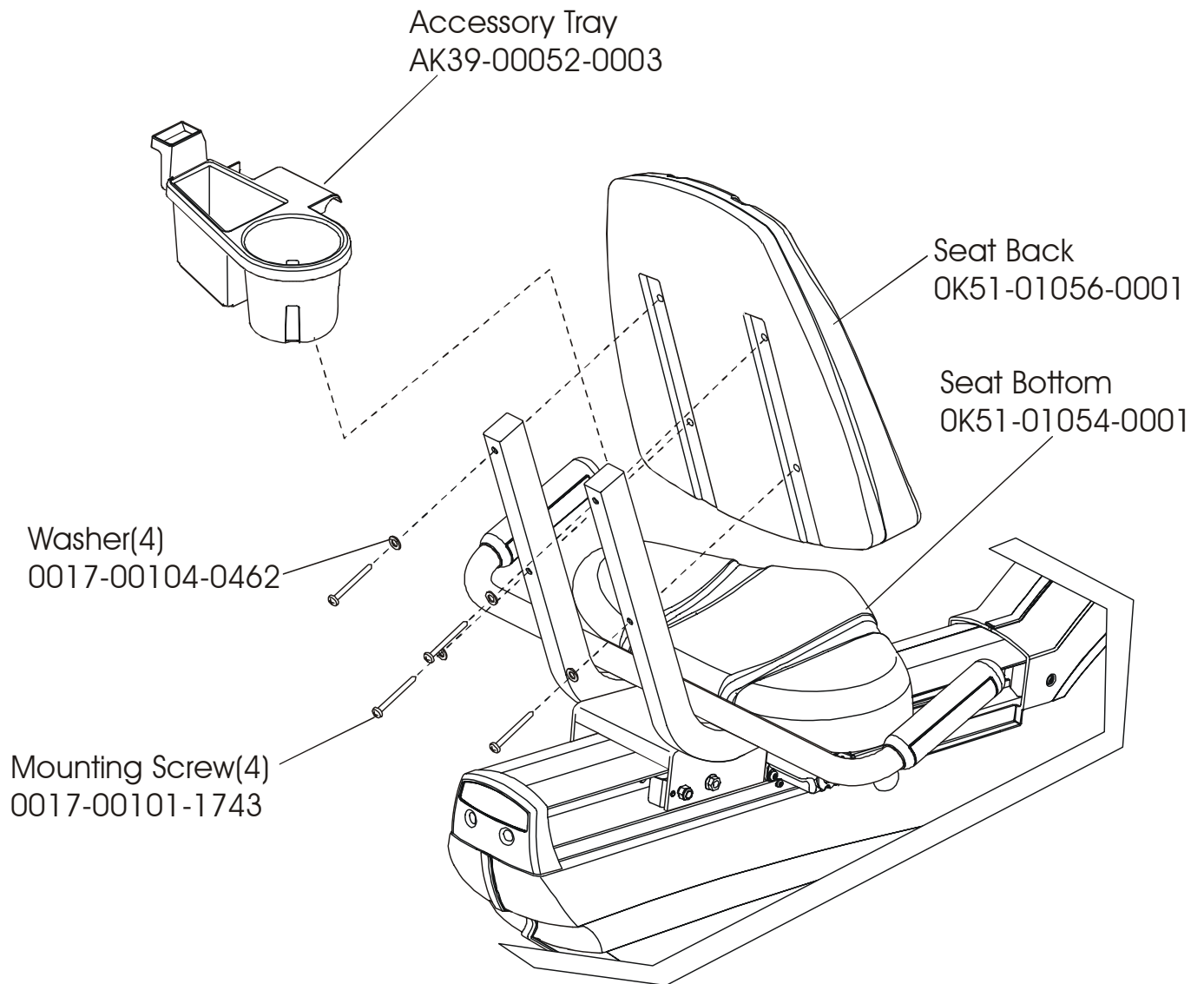


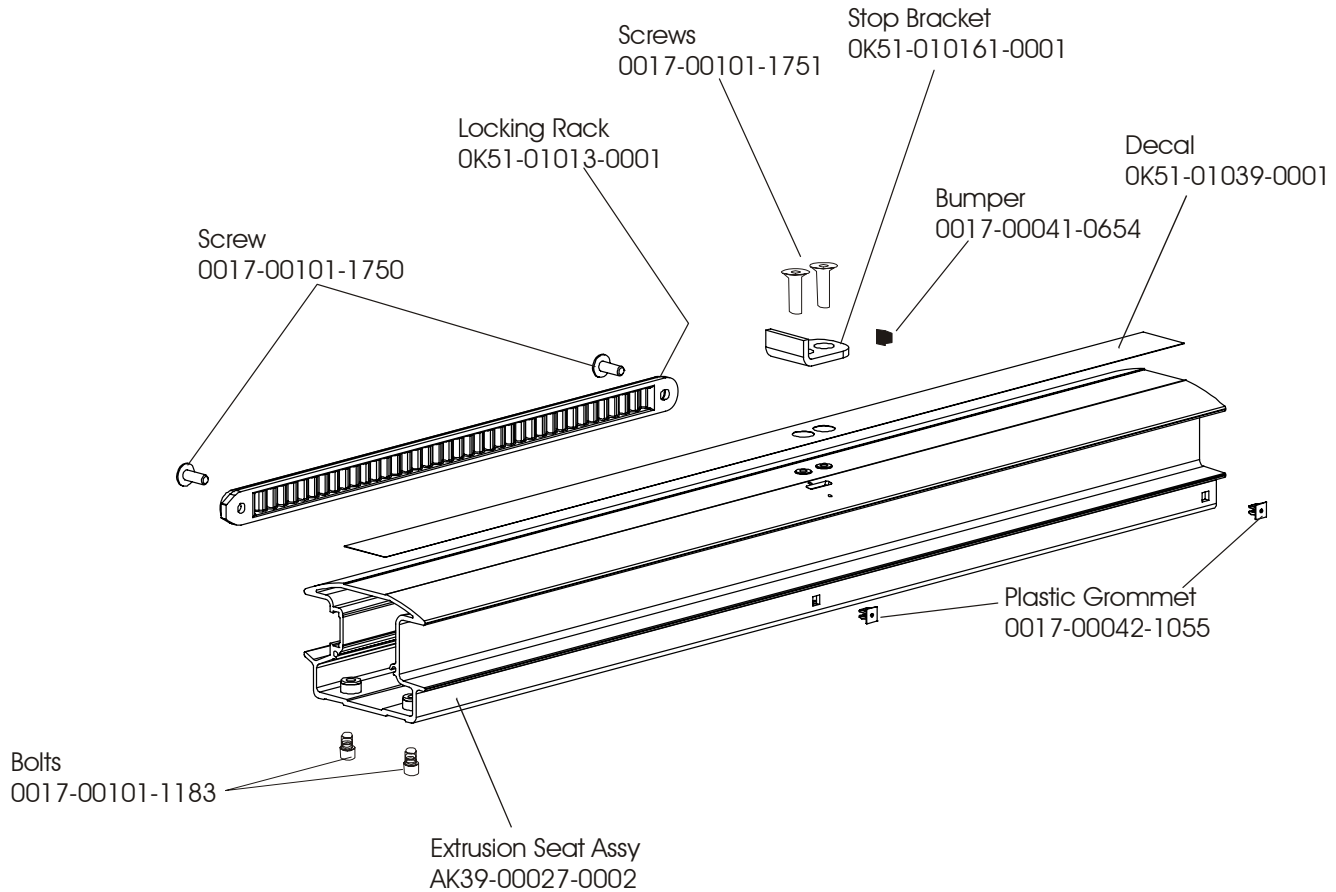












ENDCAP: EXTR; STEALTH S/C-D	OK39-01040-0004
ARM: CRANK; TR; SILVER-BULLET; S/C-D	OK39-01042-0005
DECAL: SHROUD C	OK39-01068-0000
CRANK: PULLEY E	OK63-01018-0000
HUB: CRANK-ARM; COMMERCIAL C	OK63-01095-0001
PROG CONS PCB ASSY: MFG; MULTI; 93C/93R BM	A084-92220-A005
RES-MTG BRKT ASSY: MFG; 240W C	AK39-00020-0002
ACCESSORY-ASSY: MFG; ENG BM	AK39-00066-0000
LEG-LEVELER ASSY: MFG. B	AK61-00035-0000
WHEEL-ASSY: MFG;STEALTH S/C-C	AK63-00017-0001
CRANK-PULLEY ASSY: MFG. D	AK63-00051-0000
INSTR: ASSY; ENG +	M051-00K39-A033
INSTR: KIT; ACCESSORY-TRAY +	M051-00K39-B011

