

INTEGRITY RECUMBENT LIFECYCLE® EXERCISE BIKE (INRSX, INRDX, INRSC, INRSE, CSLRD)

HRB, CHR, PHR, PDR

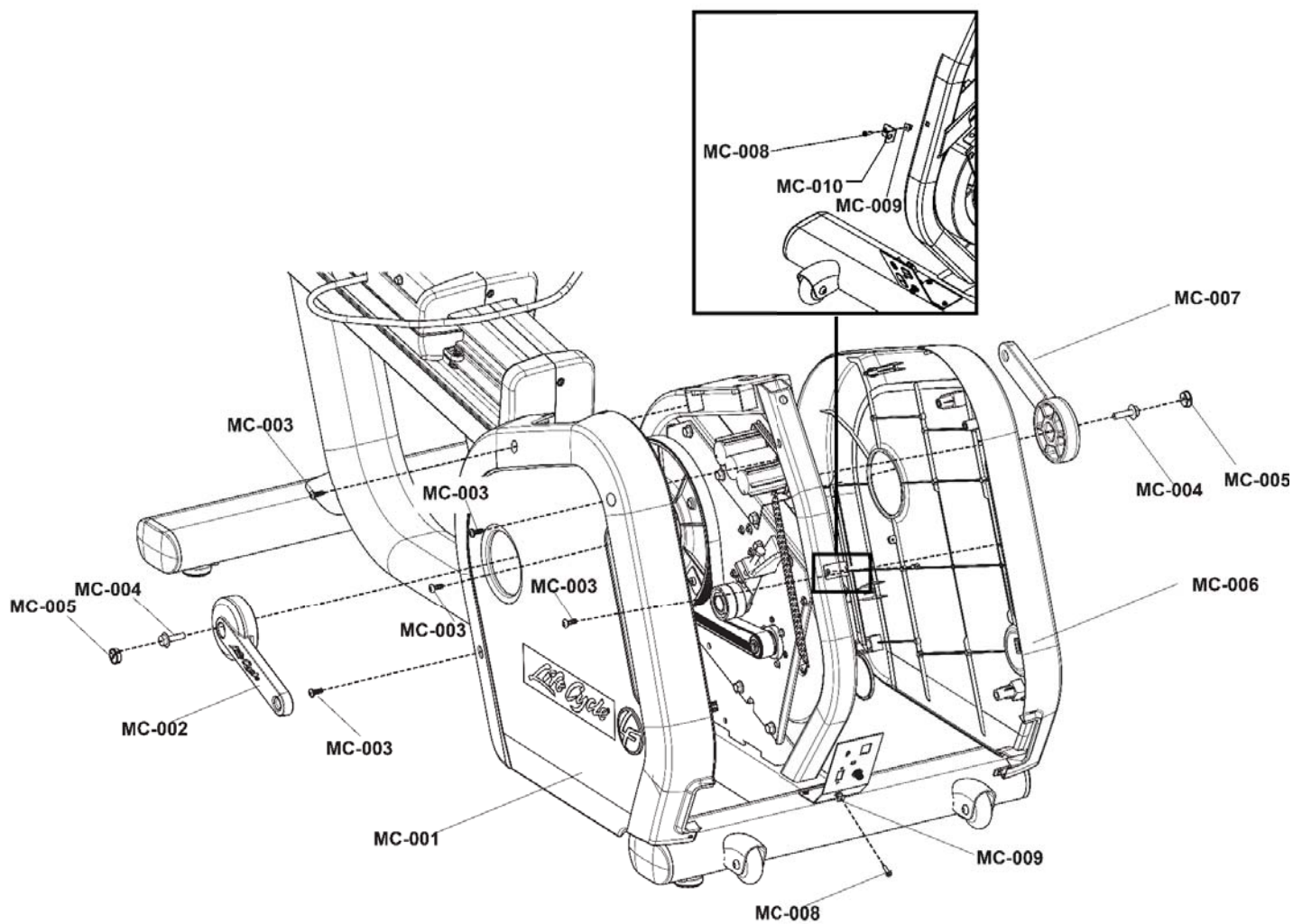
PARTS MANUAL



Table of Contents

Main Shroud & Crank Arms	2
Monocolumn	3
Seat Carriage	4
Seat Rail	5
Seat Back	6
Handlebars & Seat Mount Weldment	7
Drivetrain	8
Cup Holders & Seat Bottom	9
Communication Port & Plugs	10
Front Roller & Leg Levelers	11
Pedals & Miscellaneous	12
Roller	13
Lift Assembly	14
Battery	15
Wiring Diagram - Base	16
Wiring Diagram - Integrity X & C Consoles	17
Wiring Diagram - Discover Console	18

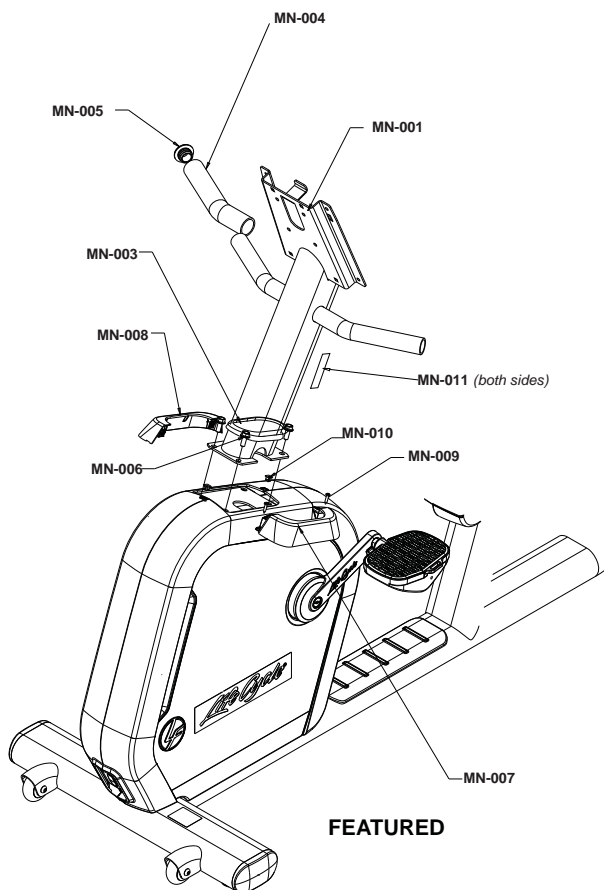
Main Shrouds & Crank Arms



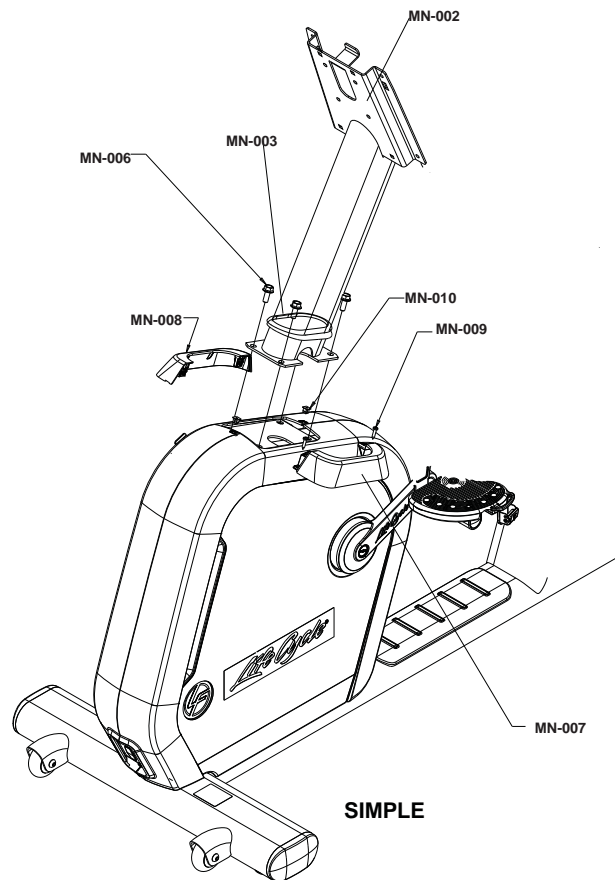
Parts List

Item	Alpha Code	Part Number	Description (Quantity)
MC-001	HRB, CHR, PHR, PDR	1002614-2400	SHROUD: MAIN RIGHT, CHGR
MC-002	HRB, CHR, PHR, PDR	0K76-01054-0000	CRANK: RIGHT
MC-003	HRB, CHR, PHR, PDR	0017-00101-2138	M6x1.0x16 DIN PHL PAN MS ST ZB (5)
MC-004	HRB, CHR, PHR, PDR	0017-00101-2077	M8 X 1.0-6G6G X 30 DIN UNS HXW CS ST ZS (2)
MC-005	HRB, CHR, PHR, PDR	0K66-01121-2400	CAP: CRANK; CHGR (2)
MC-006	HRB, CHR, PHR, PDR	1002613-2400	SHROUD: MAIN LEFT, CHGR
MC-007	HRB, CHR, PHR, PDR	0K76-01053-0000	CRANK: LEFT
MC-008	HRB, CHR, PHR, PDR	0017-00101-1796	M4.2X0.7-6g6gX 19 DIN PHL PAN (2)
MC-009	HRB, CHR, PHR, PDR	0017-00042-1147	GROMMET: NYLON; SCREW (2)
MC-010	HRB, CHR, PHR, PDR	1002971-0001	BRACKET: SHROUD CLIP

Monocolumn



FEATURED

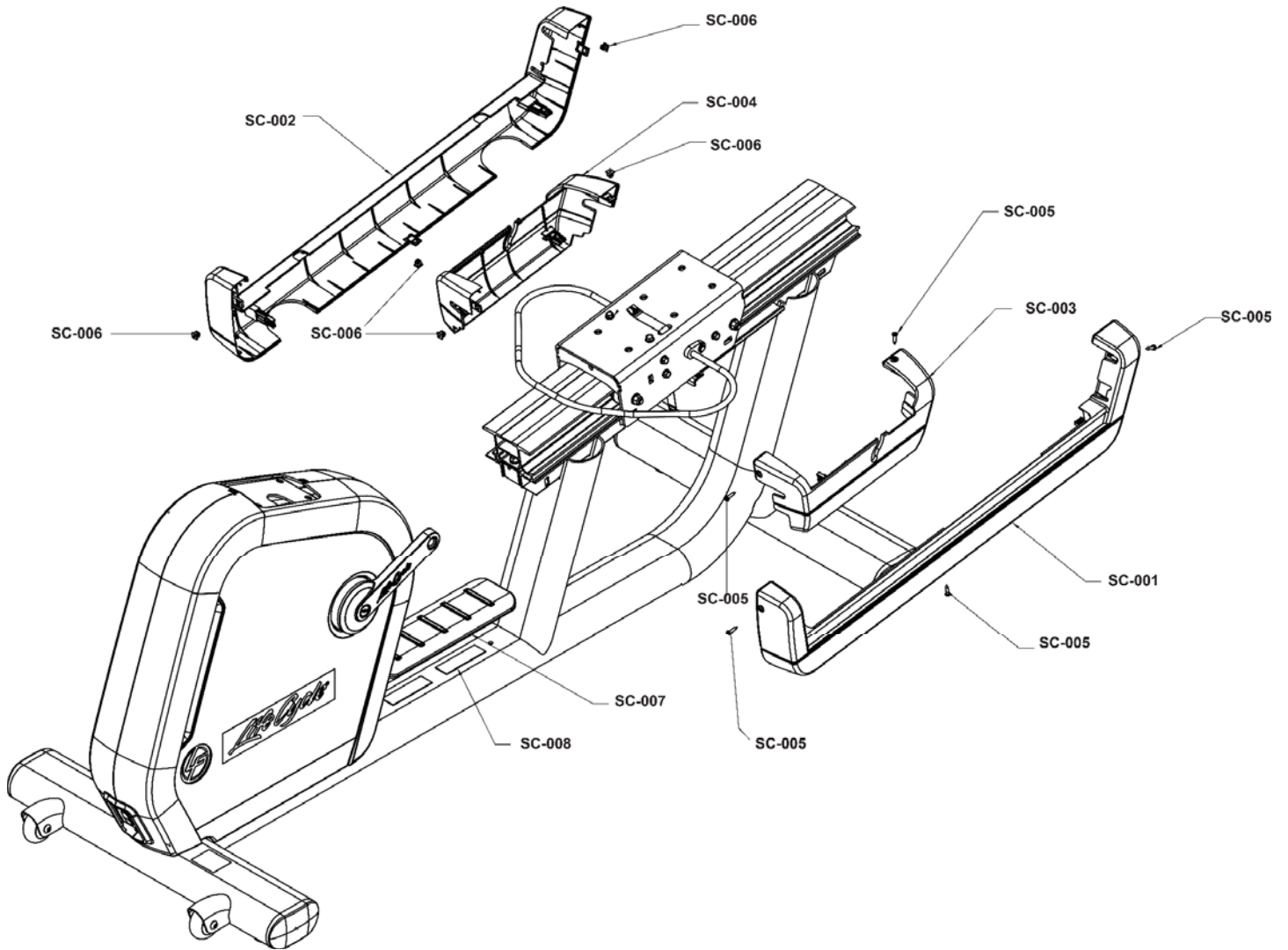


SIMPLE

Parts List

Item	Alpha Code	Part Number	Description (Quantity)
MN-001	HRB	1000695-7200	MONOCOLUMN: RECUMBENT, FEATURED, TITANIUM
	HRB	1000695-5100	MONOCOLUMN: RECUMBENT, FEATURED, ARCTIC SILVER
	PHR, PDR	100695-5800	MONOCOLUMN: RECUMBENT, FEATURED, PURPLE
	CHR	1004566-7200	ASSEMBLY: MONOCOLUMN, RECUMBENT, FEATURED, TITANIUM
MN-002	HRB	1000670-5100	MONOCOLUMN: RECUMBENT, SIMPLE, ARCTIC SILVER
MN-003	HRB, CHR, PHR, PDR	1003232-0700	GASKET: MONOCOLUMN, BLACK
MN-004	HRB, PHR, PDR	1003840-0700	GRIP: RECUMBENT, BLACK (2)
MN-005	HRB, PHR, PDR	0K76-01091-0700	CAP: END; ROUND; BLACK (2)
MN-006	HRB, CHR, PHR, PDR	0017-00101-2150	M8 X 1.25 x 6G6G X 20 FLANGE HEAD CAP SCREW (4)
MN-007	HRB, CHR, PHR, PDR	1002615-2400	SHROUD: MONOCOLUMN LEFT, CHGR
MN-008	HRB, CHR, PHR, PDR	1002616-2400	SHROUD: MONOCOLUMN RIGHT, CHGR
MN-009	HRB, CHR, PHR, PDR	0017-00101-1796	M4.2X0.7-6g6gX 19 DIN PHL PAN (2)
MN-010	HRB, CHR, PHR, PDR	0017-00042-1147	GROMMET: NYLON; SCREW (2)
MN-011	PHR, PDR	1007099-0001	DECAL: JFZ TAGLINE, SMALL SIZE (2)

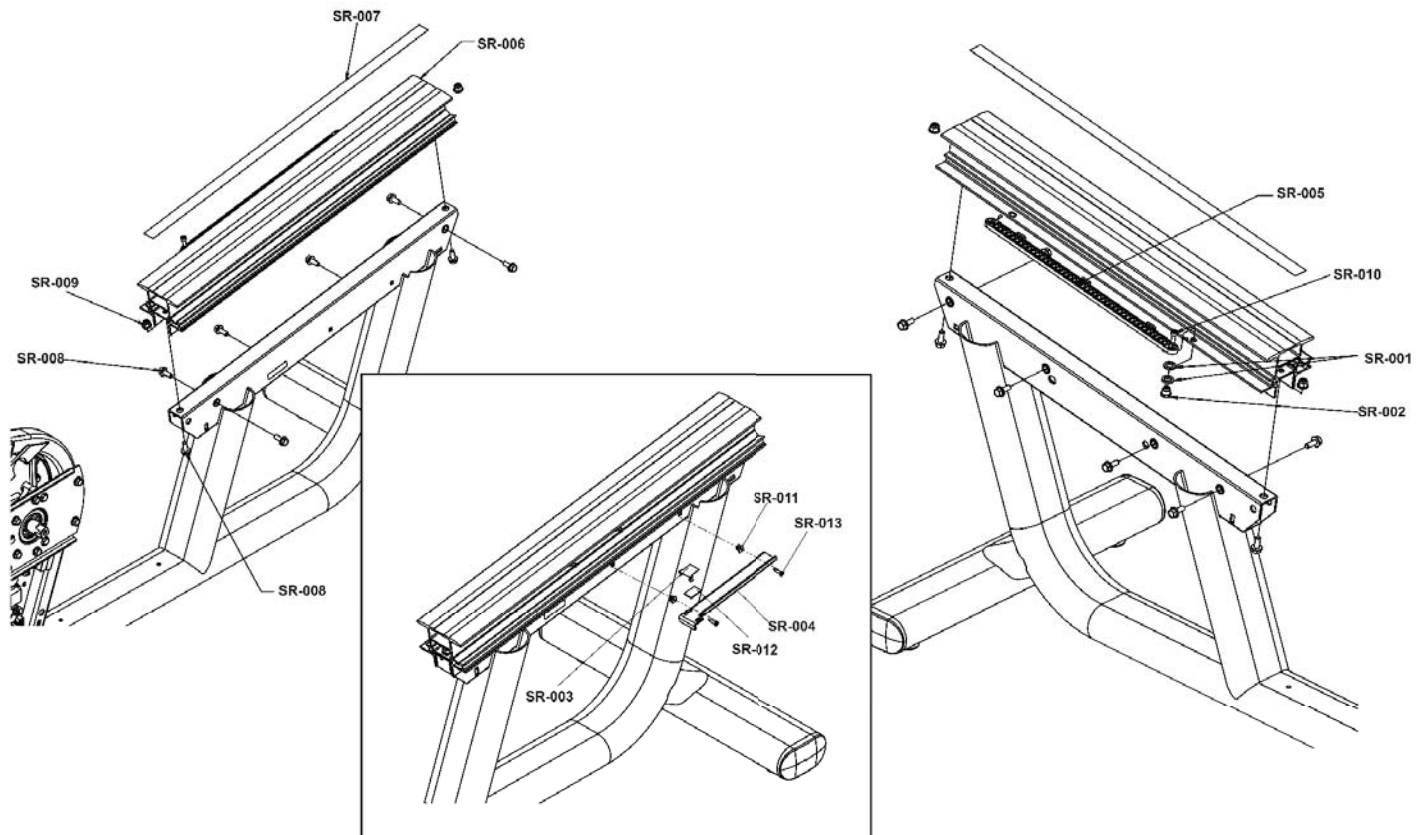
Seat Carriage



Parts List

Item	Alpha Code	Part Number	Description (Quantity)
SC-001	HRB, CHR, PHR, PDR	1002619-2400	SHROUD: SEAT RAIL LEFT, CHGR
SC-002	HRB, CHR, PHR, PDR	1002620-2400	SHROUD: SEAT RAIL RIGHT, CHGR
SC-003	HRB, CHR, PHR, PDR	1002622-2400	SHROUD: SEAT CARRIAGE LEFT, CHGR
SC-004	HRB, CHR, PHR, PDR	1002623-2400	SHROUD: SEAT CARRIAGE RIGHT, CHGR
SC-005	HRB, CHR, PHR, PDR	0017-00101-1796	M4.2X0.7-6g6gX 19 DIN PHL PAN (5)
SC-006	HRB, CHR, PHR, PDR	0017-00042-1147	GROMMET: NYLON; SCREW (5)
SC-007	HRB, CHR, PHR, PDR	1002617-2400	SHROUD: BASE, TUBE, RECUMBENT, CHGR
SC-008	HRB, CHR, PHR, PDR	0K61-04115-0002	TAPE: ADHESIVE; 1.0 X 3.5" (2)

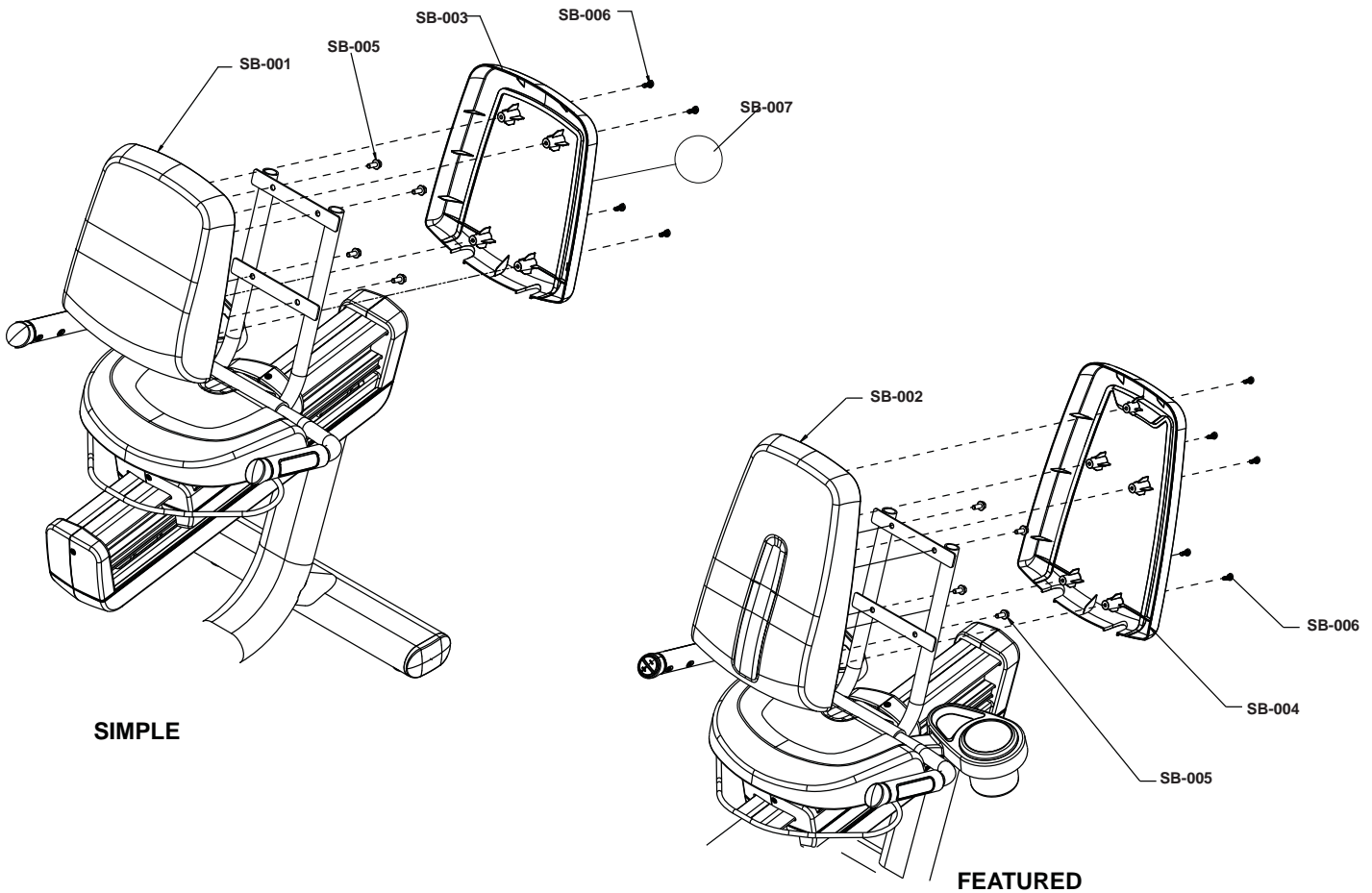
Seat Rail



Parts List

Item	Alpha Code	Part Number	Description (Quantity)
SR-001	HRB, CHR, PHR, PDR	1003441-0001	O-RING: 1/2"IDx3/4"ODx1/8"SQ. (4)
SR-002	HRB, CHR, PHR, PDR	1003440-0001	HUB: STOP (2)
SR-003	HRB, CHR, PHR, PDR	1003369-0001	CLIP: FLAT-FLEX CABLE (2)
SR-004	HRB, CHR, PHR, PDR	1002803-0001	BRACKET: WIRE TRACK
SR-005	HRB, CHR, PHR, PDR	1002027-0001	RACK: LOCKING
SR-006	HRB, CHR, PHR, PDR	1002026-0001	EXTRUSION: SEAT RAIL, RECUMBENT
SR-007	HRB, CHR, PHR, PDR	1003527-0001	DECAL: EXTRUSION; RECUMBENT
SR-008	HRB, CHR, PHR, PDR	0017-00101-2150	M8 X 1.25 x 6G6G X 20 FLANGE HEAD CAP SCREW (8)
SR-009	HRB, CHR, PHR, PDR	1003388-0001	NUT: M8x1.25-6H DIN UNF HEX LOCKNUT (2)
SR-010	HRB, CHR, PHR, PDR	1005398-0001	SCREW: M6x1.0x16 DIN HEX SOC CS ST BO (2)
SR-011	HRB, CHR, PHR, PDR	0017-00042-1147	GROMMET: NYLON; SCREW (2)
SR-012	HRB, CHR, PHR, PDR	1005361-0001	ADHESIVE: DOUBLE-SIDED TAPE (1)
SR-013	HRB, CHR, PHR, PDR	0017-00101-1796	M4.2X0.7-6g6gX 19 DIN PHL PAN (2)

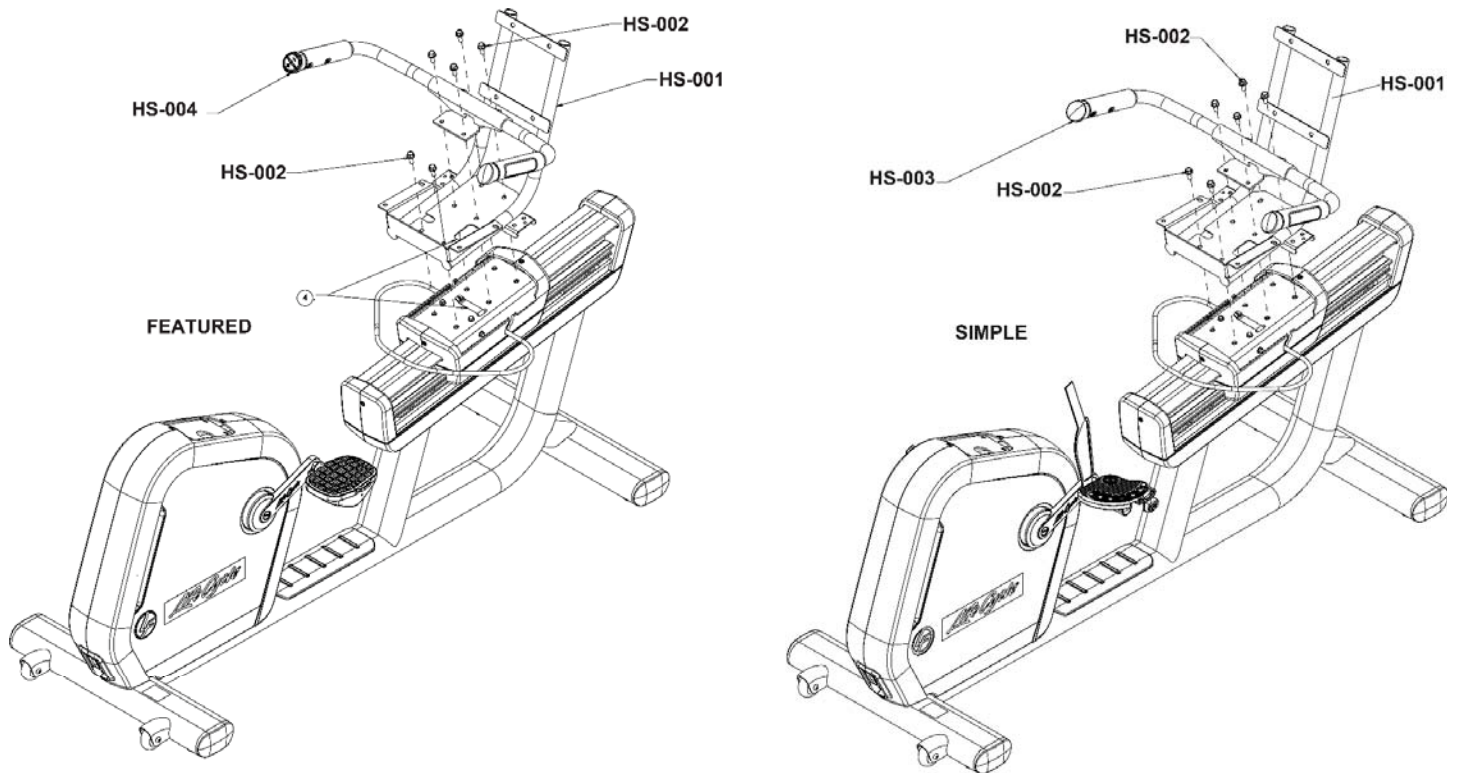
Seat Back



Parts List

Item	Alpha Code	Part Number	Description (Quantity)
SB-001	HRB, PHR, PDR	1003836-0700	SEAT: RECUMBENT, BACK, SIMPLE, BLK
SB-002	HRB, CHR	1005179-0700	SEAT: RECUMBENT BACK, FEATURED, BLK
SB-003	HRB, PHR, PDR	1003506-2400	SHROUD: SEAT BACK, SIMPLE, CHGR
SB-004	HRB, CHR	1002624-2400	SHROUD: SEAT BACK, FEATURED, CHGR
SB-005	HRB, CHR, PHR, PDR	0017-00101-2150	M8 X 1.25 x 6G6G X 20 FLANGE HEAD CAP SCREW (4)
SB-006	HRB, CHR, PHR, PDR	0017-00101-2138	M6x1.0x16 DIN PHL PAN MS ST ZB Simple (4) Featured (5)
SB-007	PHR, PDR	1006644-0001	LABEL; PF, TREADMILL, LOGO, MOTOR COVER

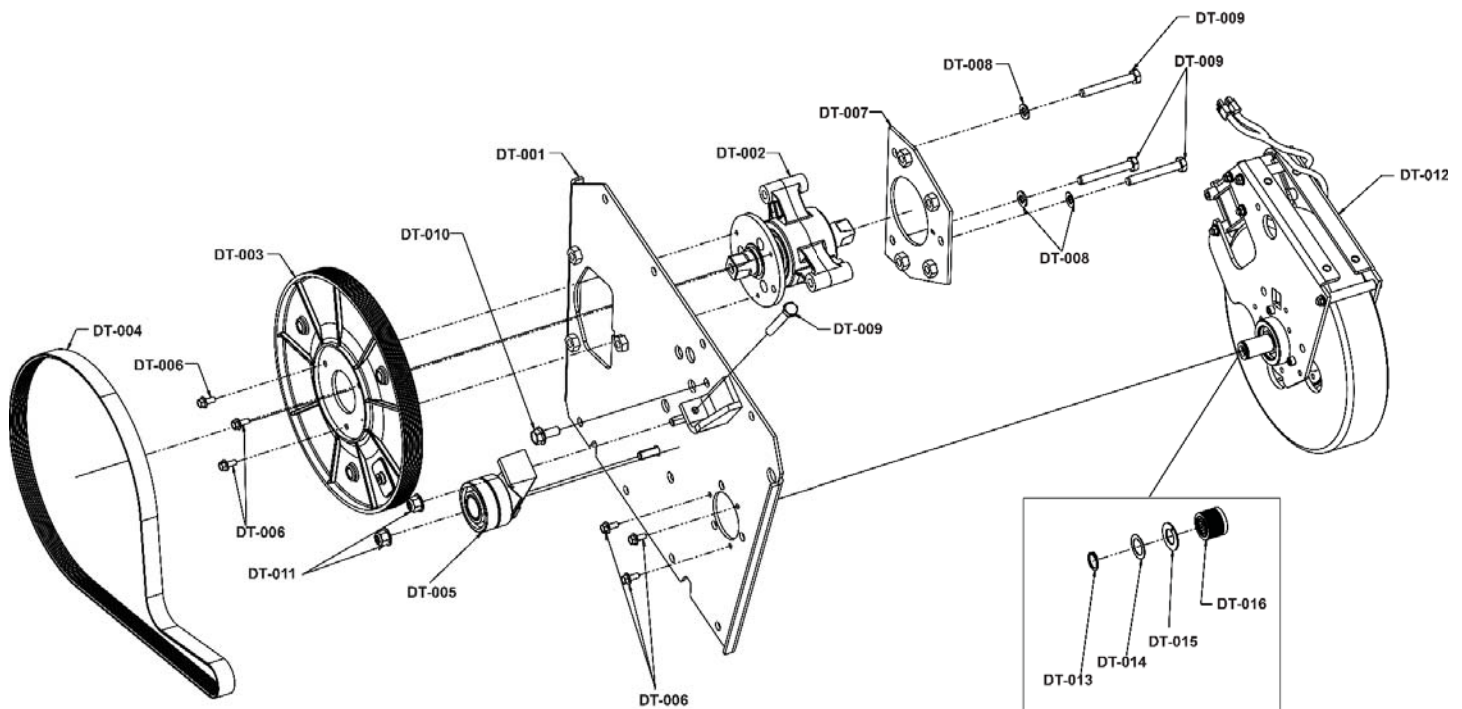
Handlebars & Seat Mount Weldment



Parts List

Item	Alpha Code	Part Number	Description (Quantity)
HS-001	HRB, CHR	1004307-7400	ASSEMBLY: SEAT MOUNT WELDMENT, CHGR
HS-002	HRB, CHR, PHR, PDR	0017-00101-2150	M8 X 1.25 X 6G6G X 20 FLANGE HEAD CAP SCREW (6)
HS-003	HRB, PHR, PDR	1005425-XXXX	ASSEMBLY: RECUMBENT HANDLEBARS, SIMPLE
HS-004	HRB, CHR	1002291-0001	ASSEMBLY: RECUMBENT HANDLEBAR, FEATURED, CHGR

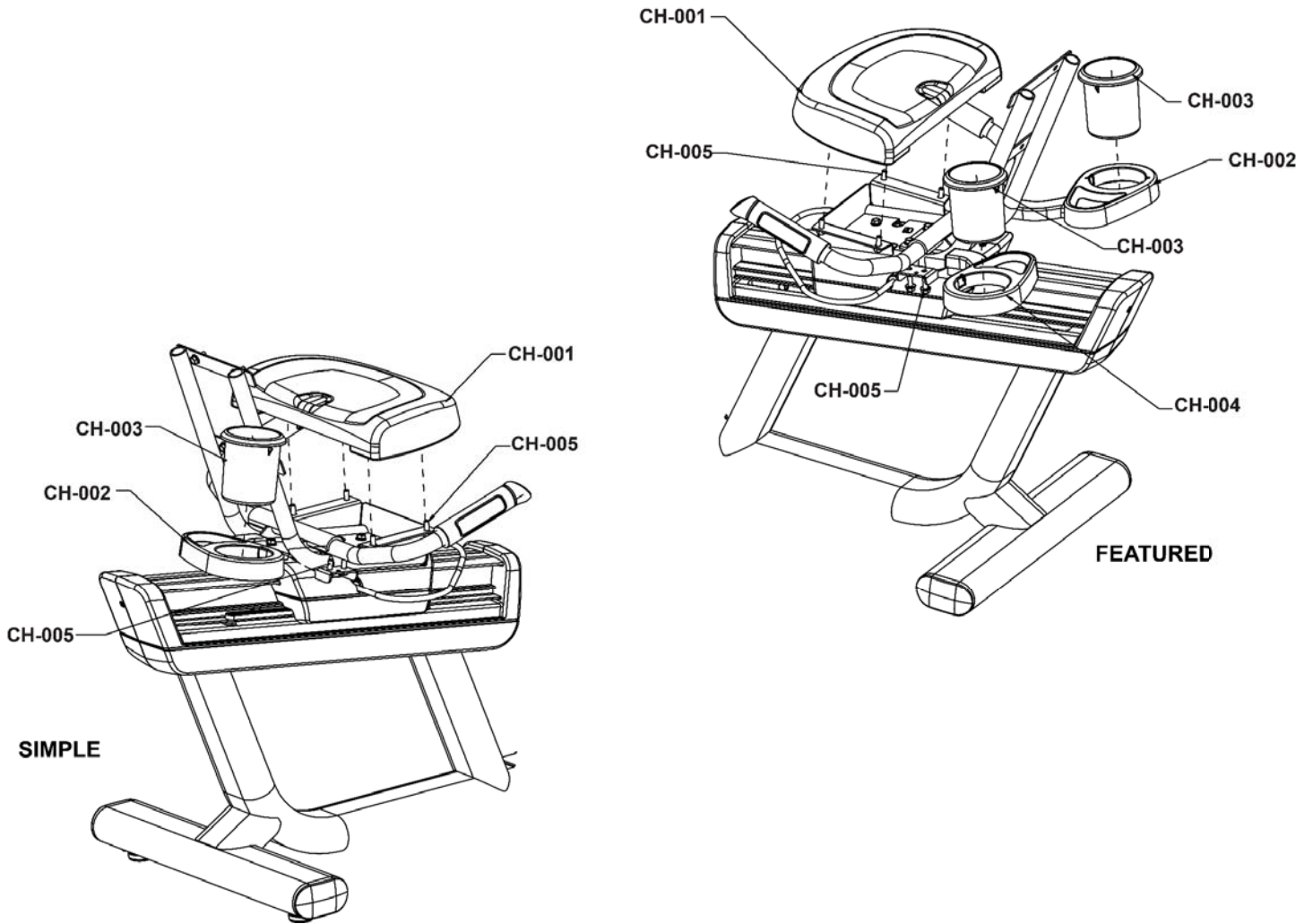
Drivetrain



Parts List

Item	Alpha Code	Part Number	Description (Quantity)
DT-001	HRB, CHR, PHR, PDR	1000711-0001	WELDMNT: DRIVETRAIN PLATE
DT-002	HRB, CHR, PHR, PDR	AK66-00151-0000	HUB ASSY: CRANKSHAFT; ELEVATION, UNIPLAT
DT-003	HRB, CHR, PHR, PDR	0K76-01068-0000	PULLEY: POLY V; MOLDED, J-SECTION
DT-004	HRB, CHR, PHR, PDR	1000716-0001	BELT: POLY-V, 430 J8
DT-005	HRB, CHR, PHR, PDR	1001619-0001	ASSEMBLY: IDLER
DT-006	HRB, CHR, PHR, PDR	0017-00101-2151	SCREW: M5 X 1.25 X 6G6G X 12 FLANGE HEAD CS G5 CD (6)
DT-007	HRB, CHR, PHR, PDR	1000714-0001	WELDMNT: ADAPTER, HUB
DT-008	HRB, CHR, PHR, PDR	0017-00104-0469	WASHER: M8.4X16.0X1.6 DIN D FLAT ST ZB (3)
DT-009	HRB, CHR, PHR, PDR	0017-00101-2002	SCREW: M8.0X1.25-6G6GX60 DIN UNS HEX CS G5 CD (4)
DT-010	HRB, CHR, PHR, PDR	0017-00101-2150	SCREW: M8 X 1.25 X 6G6H X 20 UHS HXW CS ST ZB
DT-011	HRB, CHR, PHR, PDR	1003388-0001	NUT: M8X1.25-6H6H DIN L LOCKNUT ST ZB (2)
DT-012	HRB, CHR, PHR, PDR	1001620-0001	ASSY: GENERATOR, CLUTCH
DT-013	HRB, CHR, PHR, PDR	0017-00100-0257	RNG: EXT.: DSH-18; STL, BP (METRIC)
DT-014	HRB, CHR, PHR, PDR	0017-00104-0498	WSH .750-1.125 .025 FL-D SS
DT-015	HRB, CHR, PHR, PDR	0K66-01237-0000	WASHER: THRUST; OUTER, PUR
DT-016	HRB, CHR, PHR, PDR	AK66-00165-0000	CLUTCH & PULLEY ASSY: UNIPLATE; ISO/DIN

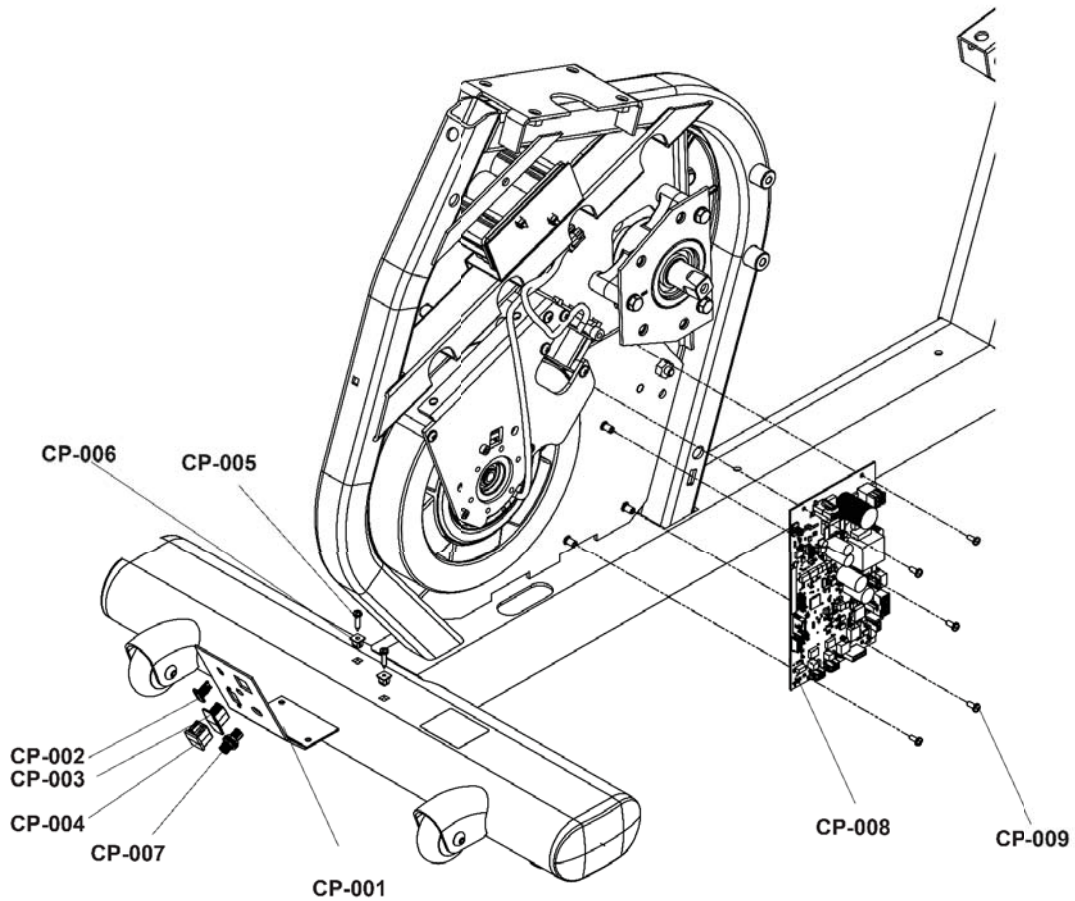
Cup Holders & Seat Bottom



Parts List

Item	Alpha Code	Part Number	Description (Quantity)
CH-001	HRB, CHR, PHR, PDR	1005010-0700	SEAT: RECUMBENT BOTTOM, BLACK
CH-002	HRB, CHR, PHR, PDR	1002626-2400	SHROUD: CUP HOLDER, RIGHT, CHGR
CH-003	HRB, CHR, PHR, PDR	1001034-2400	CUPHOLDER: LOCKING, CHARCOAL GREY Simple (1) Featured (2)
CH-004	HRB, CHR	1003729-2400	SHROUD: CUPHOLDER, LEFT, CHGR
CH-005	HRB, CHR, PHR, PDR	0017-00101-2150	M8 X 1.25 x 6G6G X 20 FLANGE HEAD CAP SCREW (8)

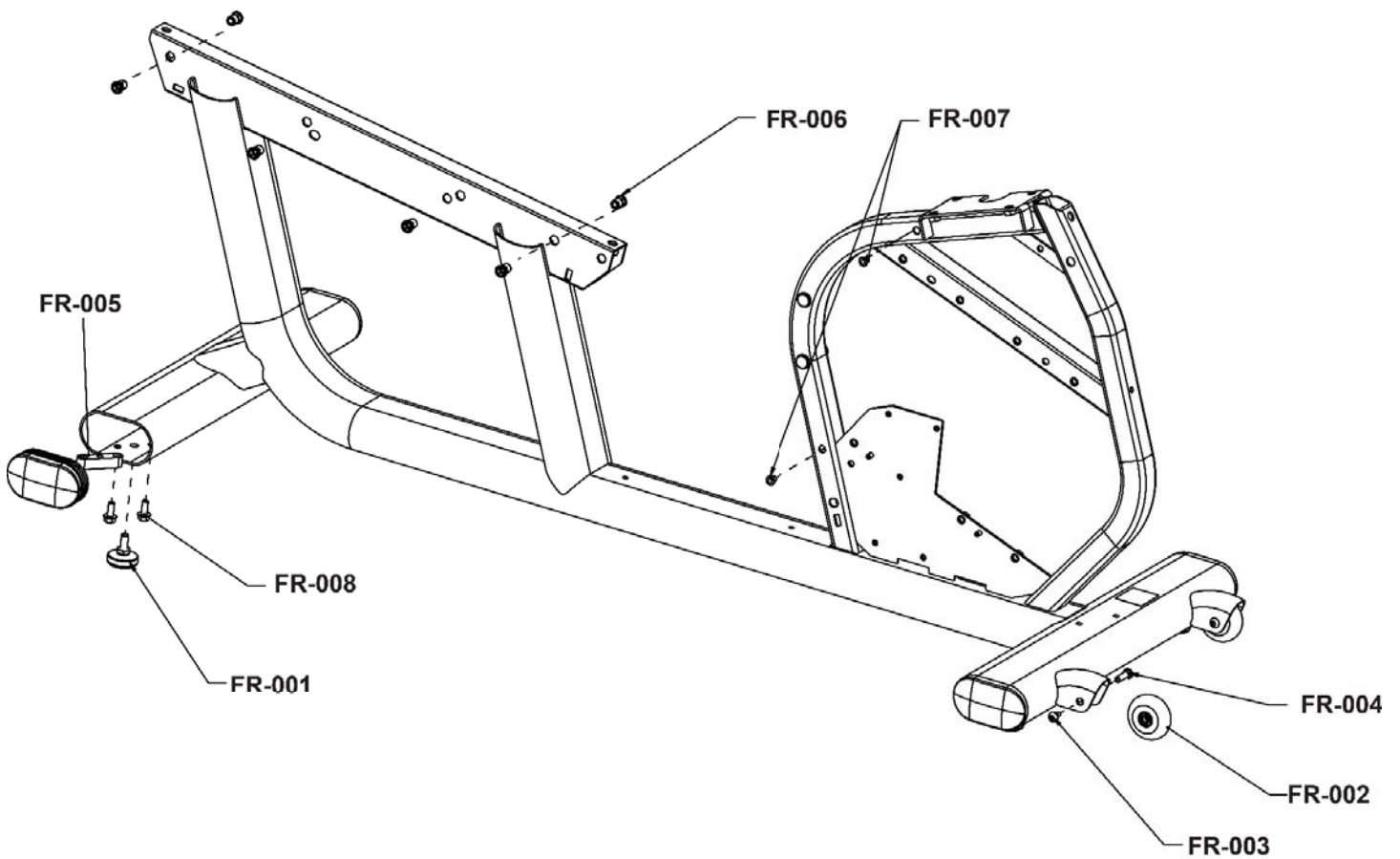
Communication Port, Plugs & PCB Assembly



Parts List

Item	Alpha Code	Part Number	Description (Quantity)
CP-001	HRB, CHR, PHR, PDR	1001773-0001	BRACKET: COM-PORT; RECUMBENT
CP-002	HRB, PHR	1005470-0700	PLUG: IR PORT, BLACK
CP-003	HRB, PHR	1005393-0700	PLUG: HDMI, BLACK
CP-004	HRB, PHR	1004601-0001	PLUG: RJ45 RECEPTACLE
CP-005	HRB, CHR, PHR, PDR	0017-00101-1796	M4.2X0.7-6g6gX 19 DIN PHL PAN (2)
CP-006	HRB, CHR, PHR, PDR	0017-00042-1147	GROMMET: NYLON; SCREW (2)
CP-007	HRB CHR, PHR, PDR	0017-00021-2846	CONN FTYPE PNL F01S RD GP F
CP-008	HRB CHR, PHR, PDR	1003117-0011	PCB ASSEMBLY: RESISTANCE CONTROL
CP-009	HRB CHR, PHR, PDR	0017-00101-1989	M4 6G6G X 10 DIN PHL PAN ZN (5)

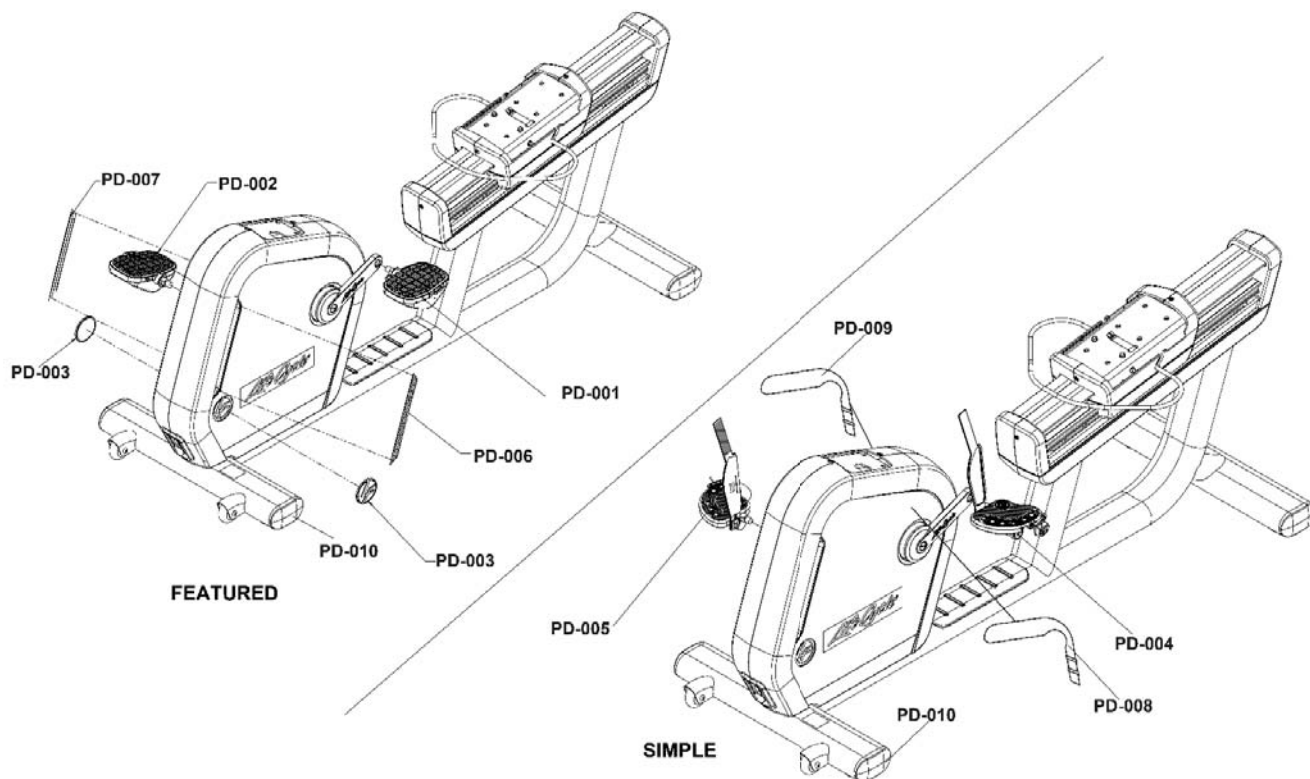
Front Roller & Leg Levelers



Parts List

Item	Alpha Code	Part Number	Description (Quantity)
FR-001	HRB, CHR, PHR, PDR	AK62-00124-0000	LEG-LVLR ASSY: MFG; METRIC (4)
FR-002	HRB, CHR, PHR, PDR	1005421-0000	ASSEMBLY: FRONT ROLLER (2)
FR-003	HRB, CHR, PHR, PDR	1001038-0001	BOLT: SHOULDER, M6X1.0 (2)
FR-004	HRB, CHR, PHR, PDR	1001628-0001	NUT: SHAFT, BARREL, 8MM DIA, 30MM LONG (2)
FR-005	HRB, CHR, PHR, PDR	1001040-0001	BLOCK: LEVELER (4)
FR-006	HRB, CHR, PHR, PDR	0017-00009-1191	INSERT: METRIC; M8; HALF-HEX SHANK (6)
FR-007	HRB, CHR, PHR, PDR	0017-00009-1259	INSERT: M6; THREADED (2)
FR-008	HRB, CHR, PHR, PDR	0017-00101-2150	M8 X 1.25 X 6G6G X 20 FLANGE HEAD CAP SCREW (8)

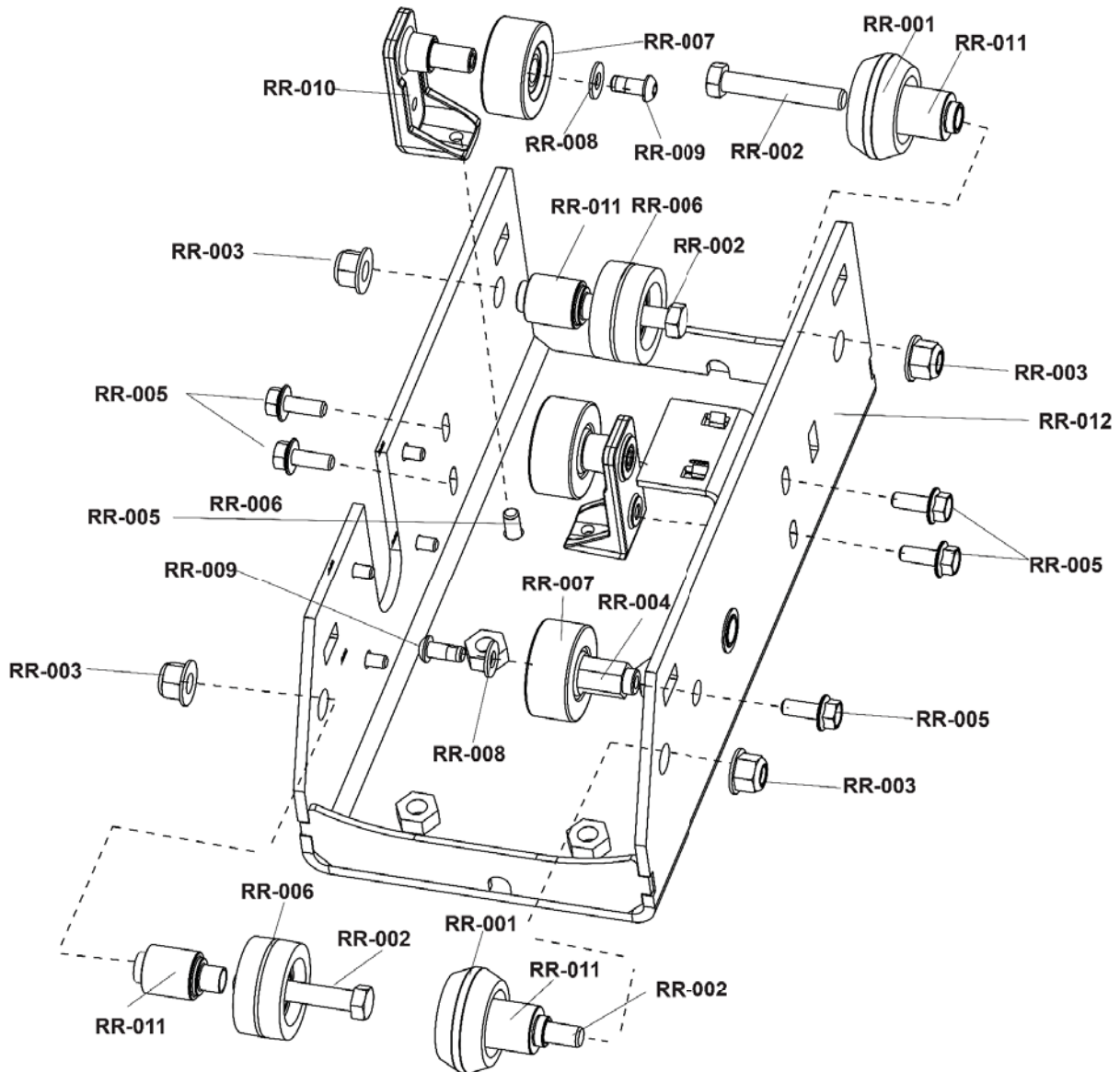
Pedals & Miscellaneous



Parts List

Item	Alpha Code	Part Number	Description (Quantity)
PD-001	HRB, CHR	AK66-00048-XXXX	PEDAL/STRAP ASSY: STANDARD; LEFT BLK
PD-002	HRB, CHR	AK66-00047-XXXX	PEDAL/STRAP ASSY: STANDARD; RIGHT; BLK
PD-003	HRB, CHR	AK58-00245-XXXX	MEDALLION: "BUG" CHGR (2)
PD-004	HRB, CHR	1006920-0001	ASSEMBLY: PEDAL, LIFECYCLE, LEFT
	PDR	1005422-0700	PEDAL: HERCULES SIMPLE, LEFT, BLACK
PD-005	HRB, CHR	1006921-0001	ASSEMBLY: PEDAL, LIFECYCLE, RIGHT
	PDR	1005423-0700	PEDAL, HERCULES, SIMPLE, RIGHT, BLACK
PD-006	HRB, CHR	1005165-0001	DECAL: VENT, RECUMBENT, LH
PD-007	HRB, CHR	1005166-0001	DECAL: VENT, RECUMBENT, RH
PD-008	PHR, PDR	1006641-0001	LABEL: PF, RECUMBENT BIKE, PURPLE, LEFT
PD-009	PHR, PDR	1006640-0001	LABEL, PF, RECUMBENT, BIKE, PURPLE, RIGHT
PD-010	HRB, CHR, PHR, PDR	1002166-0700	ENDCAP: LARGE FLOV, BLACK (4)

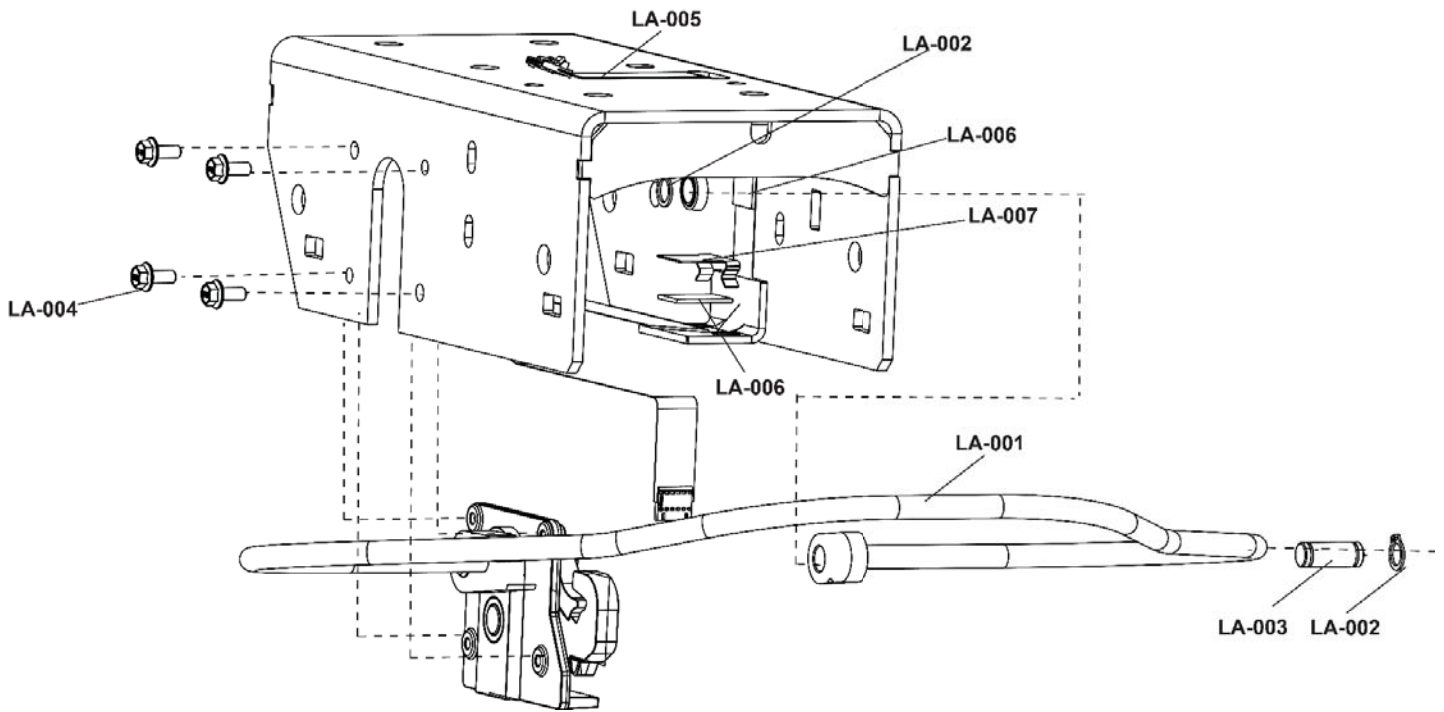
Roller



Parts List

Item	Alpha Code	Part Number	Description (Quantity)
RR-001	HRB, CHR, PHR, PDR	0K51-01034-0001	ROLLER: SEAT; RT. (2)
RR-002	HRB, CHR, PHR, PDR	0017-00101-1904	M8 X 1.25 6g6g X 50 DIN UNS HEX CS ST ZN (4)
RR-003	HRB, CHR, PHR, PDR	1003388-0001	NUT: M8x1.25-6H DIN UNF HEX LOCKNUT (4)
RR-004	HRB, CHR, PHR, PDR	1003788-0001	SHAFT: TENSION ROLLER
RR-005	HRB, CHR, PHR, PDR	1003368-0001	SCREW: M6x1.0x16 DIN UNS HXW CS ST ZB (6)
RR-006	HRB, CHR, PHR, PDR	1003365-0001	ROLLER, SEAT LEFT SIDE (2)
RR-007	HRB, CHR, PHR, PDR	0K19-01130-0000	ROLLER: PRELOAD
RR-008	HRB, CHR, PHR, PDR	0017-00104-0072	WSH 255-.562-046 FL-D ST ZN (2)
RR-009	HRB, CHR, PHR, PDR	0017-00101-2014	M6 X 1 - 6G6H X 14 DIN HEX BUT L ST ZB (2)
RR-010	HRB, CHR, PHR, PDR	1003371-0001	ASSEMBLY: ROLLER TENSIONER
RR-011	HRB, CHR, PHR, PDR	1003366-0001	HUB: ROLLER (4)
RR-012	HRB, CHR, PHR, PDR	1005420-0001	ASSEMBLY: SEAT CARRIAGE, RECUMBENT

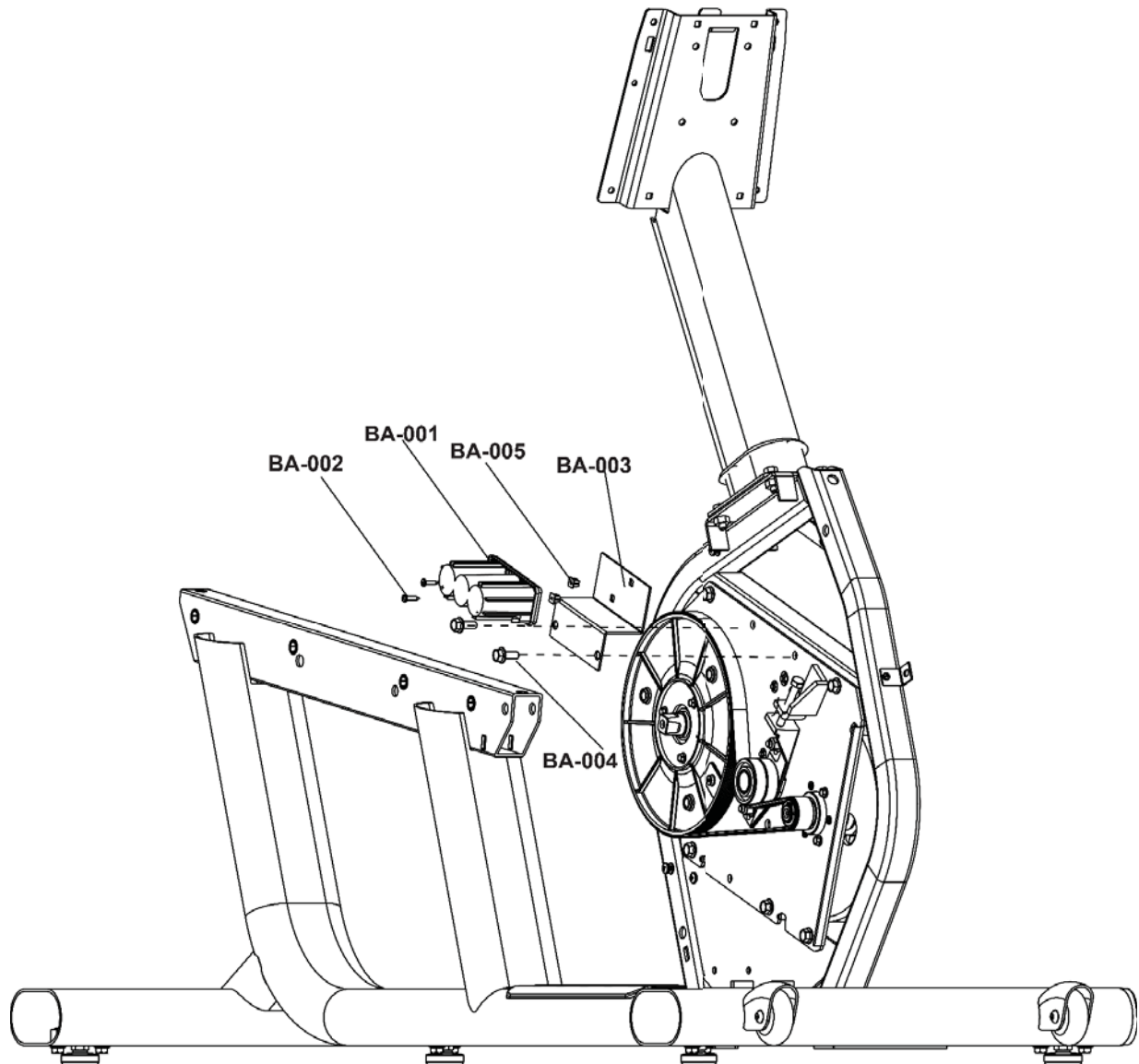
Lift Assembly



Parts List

Item	Alpha Code	Part Number	Description (Quantity)
LA-001	HRB, CHR, PHR, PDR	1003385-0001	ASSEMBLY: LATCH MODULE
LA-002	HRB, CHR, PHR, PDR	0017-00100-0253	RNG: BRE 10.0; ST PP (2)
LA-003	HRB, CHR, PHR, PDR	1002895-0001	SHAFT: PIVOT
LA-004	HRB, CHR, PHR, PDR	0017-00101-2151	M5 X 1.25 X 6G6G X 12 FLANGE HEAD CAP SCREW (4)
LA-005	HRB, CHR, PHR, PDR	1002806-0001	CABLE ASSY: FLAT-FLEX
LA-006	HRB, CHR, PHR, PDR	1005361-0001	ADHESIVE: DOUBLE-SIDED TAPE
LA-007	HRB, CHR, PHR, PDR	1003369-0001	CLIP: FLAT-FLEX CABLE

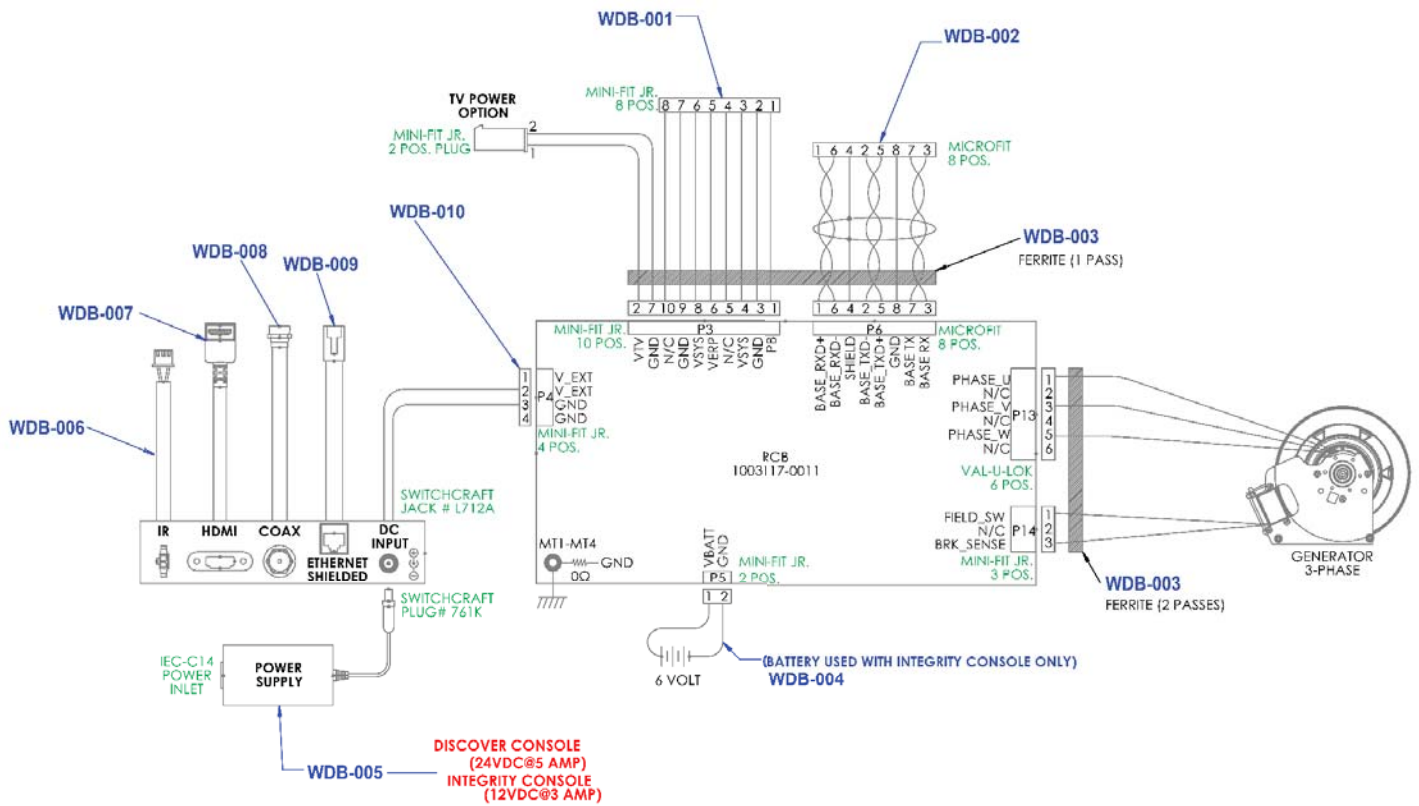
Battery



Parts List

Item	Alpha Code	Part Number	Description (Quantity)
BA-001	HRB, CHR, PHR, PDR	0017-00003-0685	BATTERY: 6V; 2.5AH
BA-002	HRB, CHR, PHR, PDR	0017-00101-1796	M4.2X0.7-6g6gX 19 DIN PHL PAN AB ST ZB (2)
BA-003	HRB, CHR, PHR, PDR	1006429-0001	BRACKET: BATTERY
BA-004	HRB, CHR, PHR, PDR	0017-00101-2150	M8 X 1.25 x 6G6G X 20 FLANGE HEAD CAP SCREW (2)
BA-005	HRB, CHR, PHR, PDR	0017-00042-1147	GROMMET: NYLON; SCREW (2)

Wiring Diagram - Base

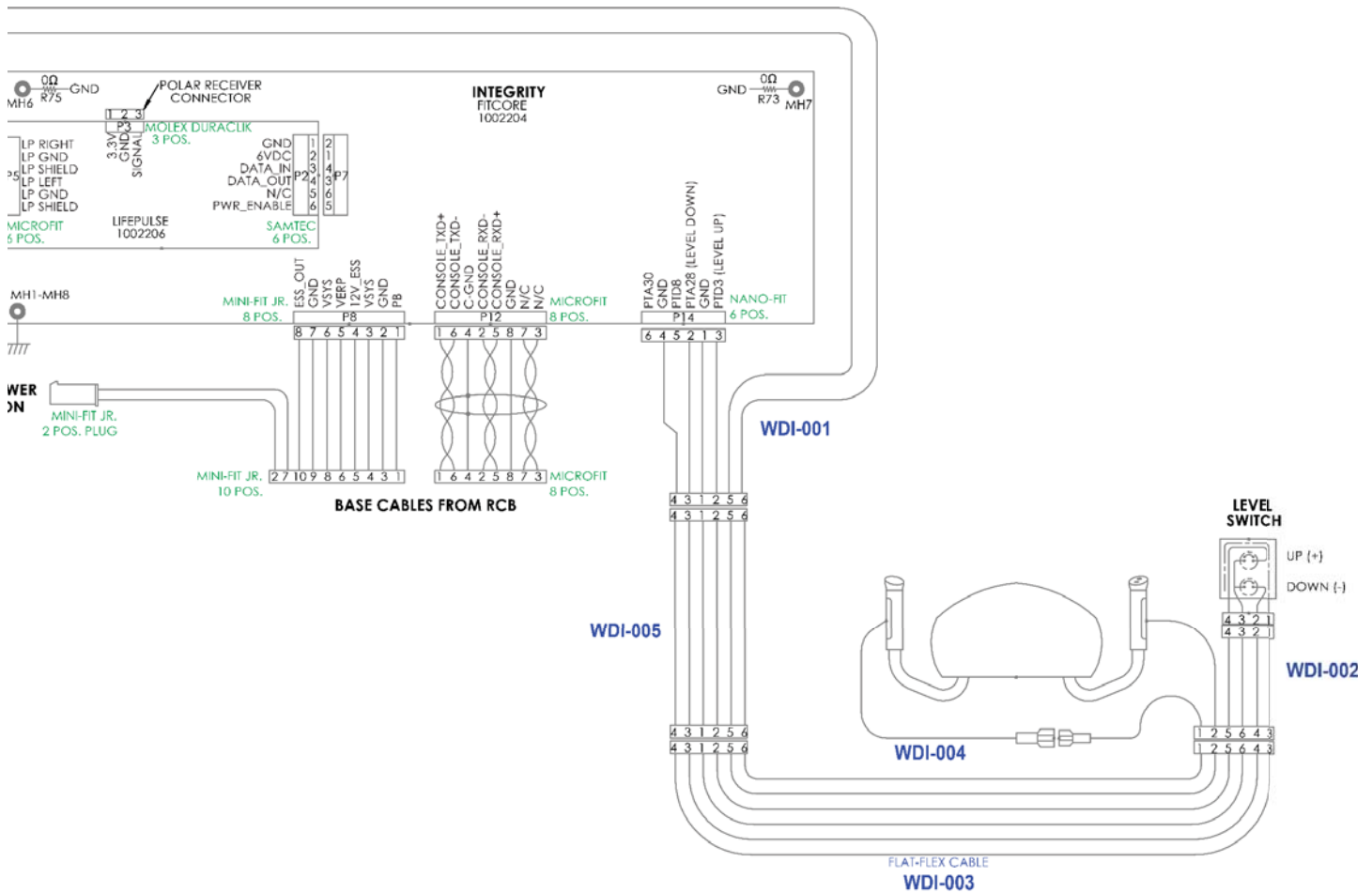


Parts List

Item	Alpha Code	Part Number	Description (Quantity)
WDB-001	PDR,CHR, HRB, PHR	1002258-0002	CABLE: CONSOLE TO BASE. POWER, RECUMBENT BIKE
WDB-002	PDR,CHR, HRB, PHR	1002239-0002	CABLE: CONSOLE TO BASE, SIGNAL, RECUMBENT BIKE
WDB-003	PDR,CHR, HRB, PHR	121E-00001-0023	CORE: FERRITE; SUPPRESSION B
WDB-004	CHR, HRB, PHR	AK69-00106-0002	CABLE ASSY: BATTERY, NON-TREADS, 32 INCH (USED FOR INTEGRITY CONSOLES)
WDB-005	CHR, HRB, PHR	1001517-0001	POWER SUPPLY: 12 VDC, 3A (USED FOR INTEGRITY CONSOLES)
	PDR	1004808-0001	POWER SUPPLY,100-240VAC TO 24VDC,5A,2.5MM PLUG (USED FOR DISCOVER CONSOLE)
WDB-006	-	1001671-0002	CABLE: IR, CONSOLE TO PANEL, RECUMBENT BIKE (FEATURED BASE ONLY)
WDB-007	-	1001653-0001	CABLE ASSEMBLY: HDMI, PANEL MOUNT, RIGHT, UPRIGHT BIKE (FEATURED BASE ONLY)
WDB-008	-	AK65-00062-0000	COAX ASSY: RG6; BASE
WDB-009	PHR	AK70-00092-0004	CABLE ASSY: CAT5E; V2
WDB-010	PDR, CHR, HRB, PHR	1003521-0002	CABLE: POWER, RCB TO PANEL, 5A, RECUMBENT BIKE

NOTE: MUST USE the 12V power supply with Integrity X or C Console. DO NOT USE a 24VDC power supply!

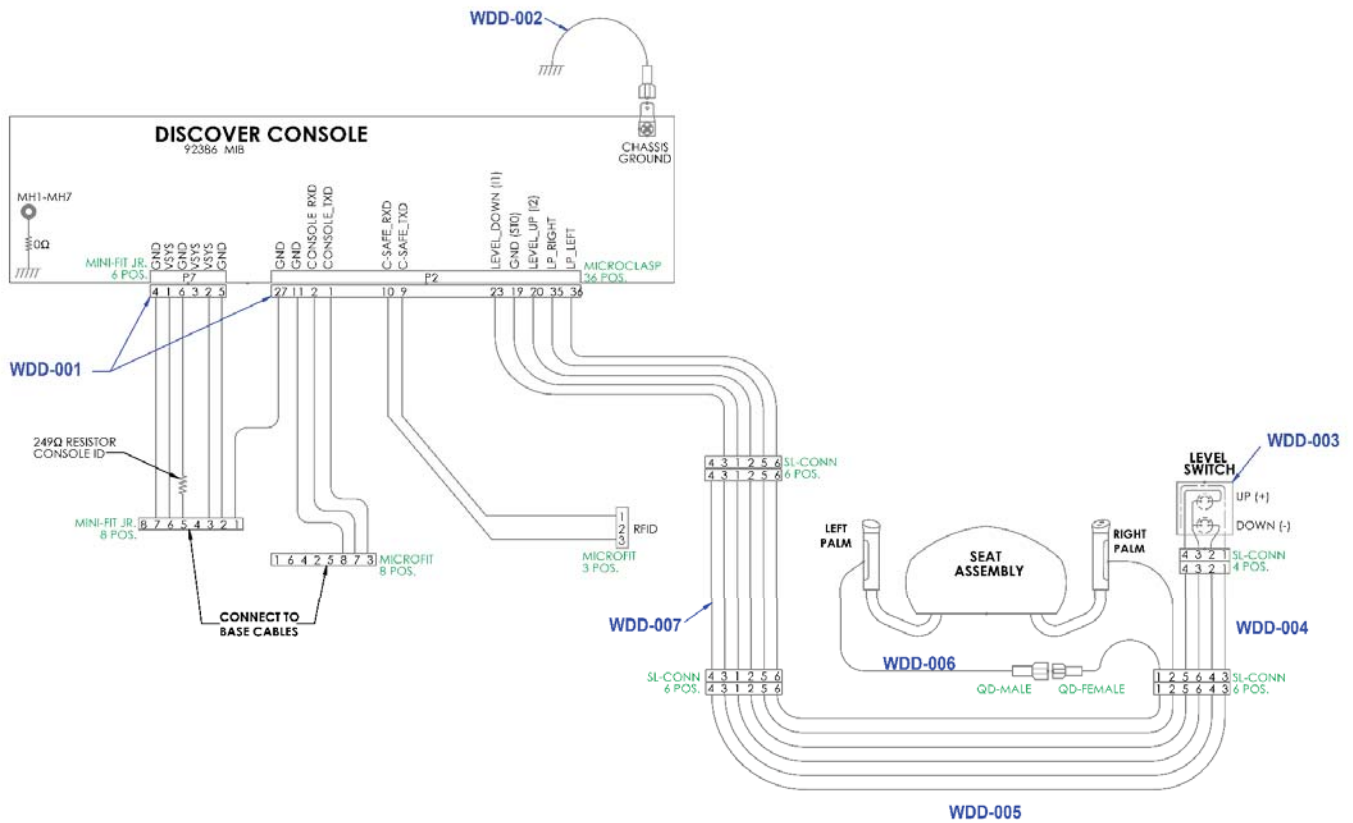
Wiring Diagram - Integrity X & C Consoles



Parts List

Item	Alpha Code	Part Number	Description (Quantity)
WDI-001	HRB, CHR, PHR	1005177-0001	CABLE ASSY: LIFE PULSE AND RESISTANCE TO FIT CORE
WDI-002	HRB, CHR, PHR, PDR	1004202-0001	CABLE: RECUMBENT
WDI-003	HRB, CHR, PHR, PDR	1002806-0001	CABLE ASSY: FLAT-FLEX
WDI-004	HRB, CHR, PHR, PDR	AK66-00101-0000	CBL ASSY: HANDLEBAR
WDI-005	HRB, PHR, PDR, CHR	AK66-00104-0001	CBL ASSY: KEYPAD/LP, RECUMBENT

Wiring Diagram - Discover Console



Parts List

Item	Alpha Code	Part Number	Description (Quantity)
WDD-001	PDR	1006801-0001	CABLE: DISCOVER TO HERCULES ADAPTOR, RECUMBENT
WDD-002	-	AK26-00348-0001	CBL-ASSY: JMPR;OUTLET/GRND B
WDD-003	-	118E-00001-0239	SWITCH: MEMBRANE; RECUMBENT; KEYPAD (FEATURED BASE ONLY)
WDD-004	PDR	1004202-0001	CABLE: RECUMBENT
WDD-005	PDR	1002806-0001	CABLE ASSY: FLAT-FLEX
WDD-006	PDR	AK66-00101-0000	CBL ASSY: HANDLEBAR; RECUMBENT
WDD-007	PDR	AK66-00104-0001	CBL ASSY: KEYPAD/LP, RECUMBENT