

# HAMMER<sup>®</sup> STRENGTH

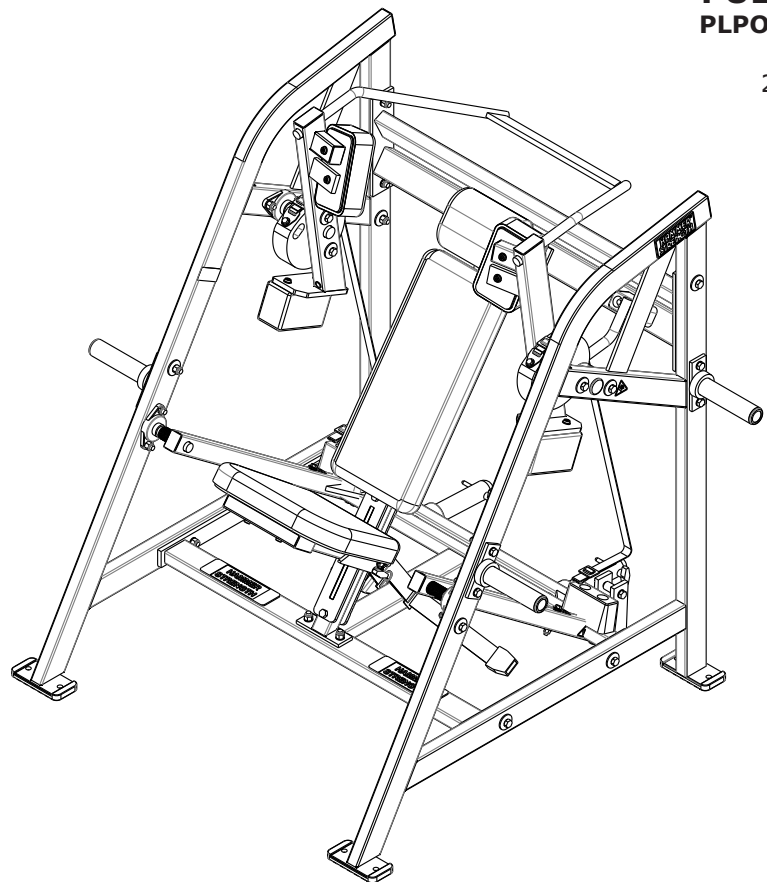
**HAMMER  
STRENGTH<sup>®</sup>**

**PLATE LOADED**

**PARTS MANUAL**

**PULLOVER  
PLPO & PL-PO**

2/16/2015



# CONTENTS

COMPONENT ASSEMBLY ..... PAGE 3

BOTTOM FRAME ASSEMBLY ..... 4

LEFT SIDE FRAME ASSEMBLY ..... 5

TOP CROSSMEMBER ASSEMBLY ..... 6

WORKBOX ASSEMBLY ..... 7

SEAT FRAME ASSEMBLY ..... 8

STD SEAT 2 ASSEMBLY ..... 9

MOVEMENT ARM ASSEMBLY ..... 10

RIGHT SIDE FRAME ASSEMBLY ..... 11

WEIGHT HORN ASSEMBLY ..... 12

**KEY**

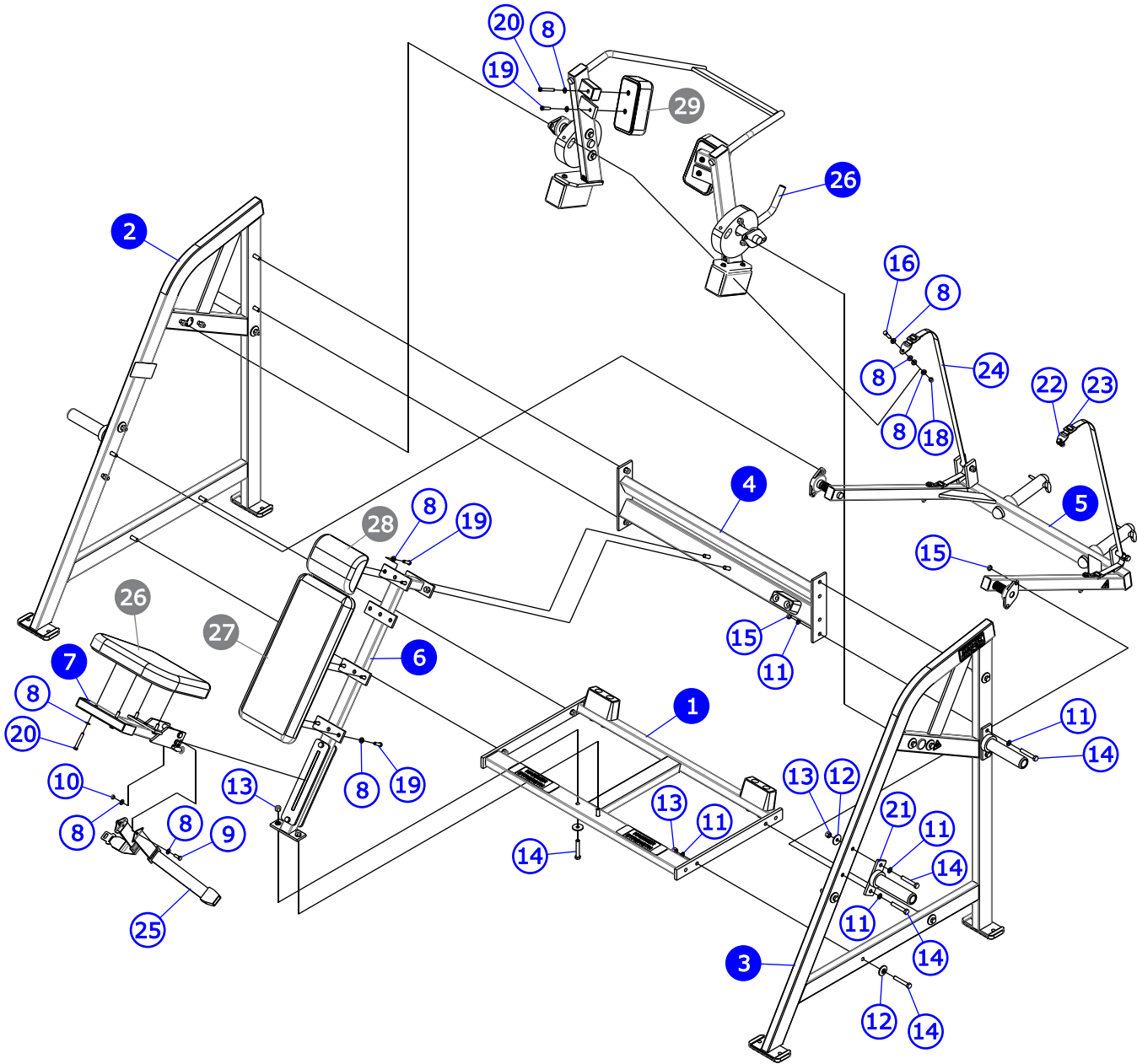
**UPHOLSTERY** ① ② ③

Items with Gray call-outs require the upholstery color listed within the order notes. IE: Putty

**FRAME AND MOVEMENT ARM COLORS** ① ② ③

Items with Blue call-outs require the powder coat frame color to be listed within the order notes.

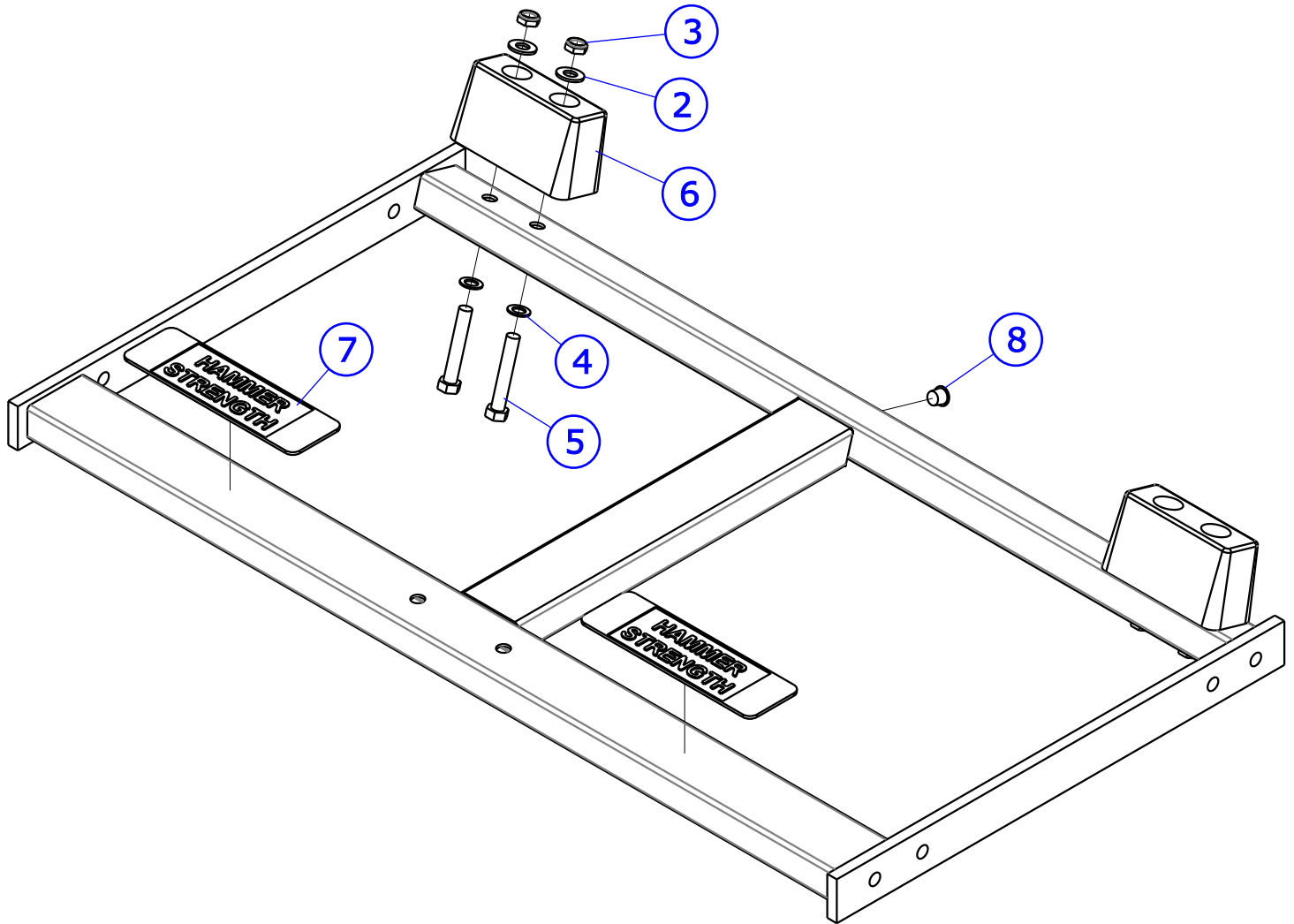
# COMPONENT ASSEMBLY



ITEM NO.	QTY.	PART NO.	DESCRIPTION
1	1	PLPO-CBX	ASSY, BOTTOM FRAME, PLPO
2	1	PLPO-CSFR	ASSY, SIDE FRAME, RIGHT, PLPO
3	1	PLPO-CSFL	ASSY, SIDE FRAME, LEFT, PLPO
4	1	PLPO-CTX	ASSY, TOP CROSS MEMBER, PLPO
5	1	PLPO-CWB	ASSY, WORKBOX, PLPO
6	1	PLPO-CST	ASSY, SEAT FRAME, PLPO
7	1	CSTD-ST2	ASSY, STD SEAT 2
8	34	WASH.375SAE	3/8" SAE FLAT WASHER
9	2	HHB.375X1	STEEL BOLT 3/8 X 1
10	2	NUT.375JAMLOCK	3/8 THIN LOCK NUT
11	20	WASH.5STAR	1/2" INTERNAL LOCK WASHER
12	14	H-BACK-WASH	BACKING WASHER
13	14	NUT.5LOCK	1/2 DIA THICK LOCK NUT
14	18	HHB.5X3	1/2 X 3 BOLT
15	4	NUT.5JAMLOCK	1/2 THIN LOCK NUT

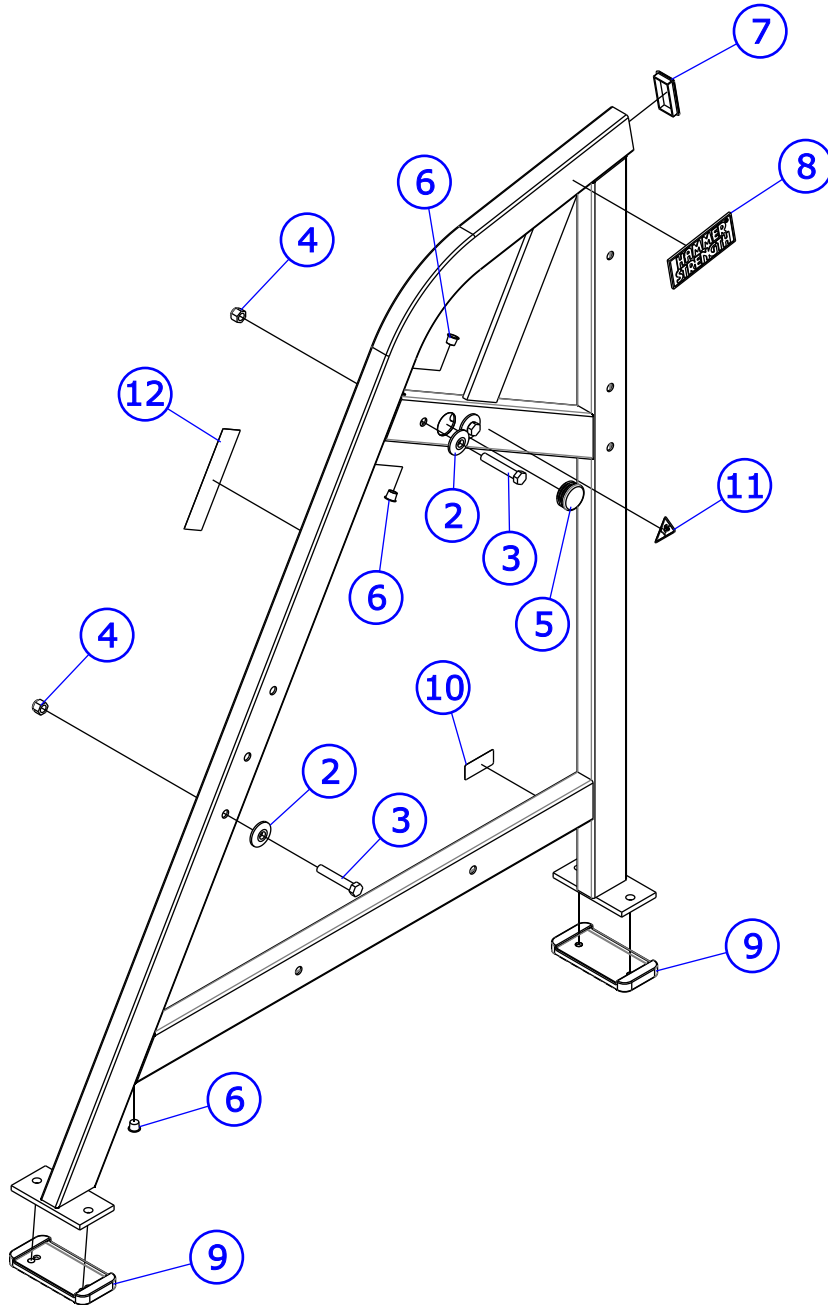
ITEM NO.	QTY.	PART NO.	DESCRIPTION
16	2	HHB.375X1.5	STEEL BOLT 3/8 X 1.5
17	2	HHB.375X3	STEEL BOLT 3/8 X 3
18	4	NUT.375LOCK	3/8 THICK LOCK NUT
19	10	3236204	SCREW, M10 X1.5 35MM
20	4	3236210	SCREW, M10 X1.5 65MM
21	4	H-HORN-ASSY	ASSY, WEIGHT HORN
22	4	H-BELT-END	CAM STRAP END FITTING
23	4	H-BELT-SLIDE	CAM STRAP SLIDE FITTING
24	2	PLPO-STRAP	PLPO STRAP
25	1	SEATBELT-ASSEM	SEATBELT, COMPLETE
26	1	8854299	PAD, SEAT 17 X 16-3/4
27	1	7398899	PAD, BACK 25 X 11-1/4
28	1	7499699	PAD, 9 X 6-1/2 X 2-7/8
29	2	8782099	PAD, MOLDED 203 X 114
26	1	1000292-0001	ASSY, MOVEMENT ARM, PLPO

# BOTTOM FRAME ASSEMBLY



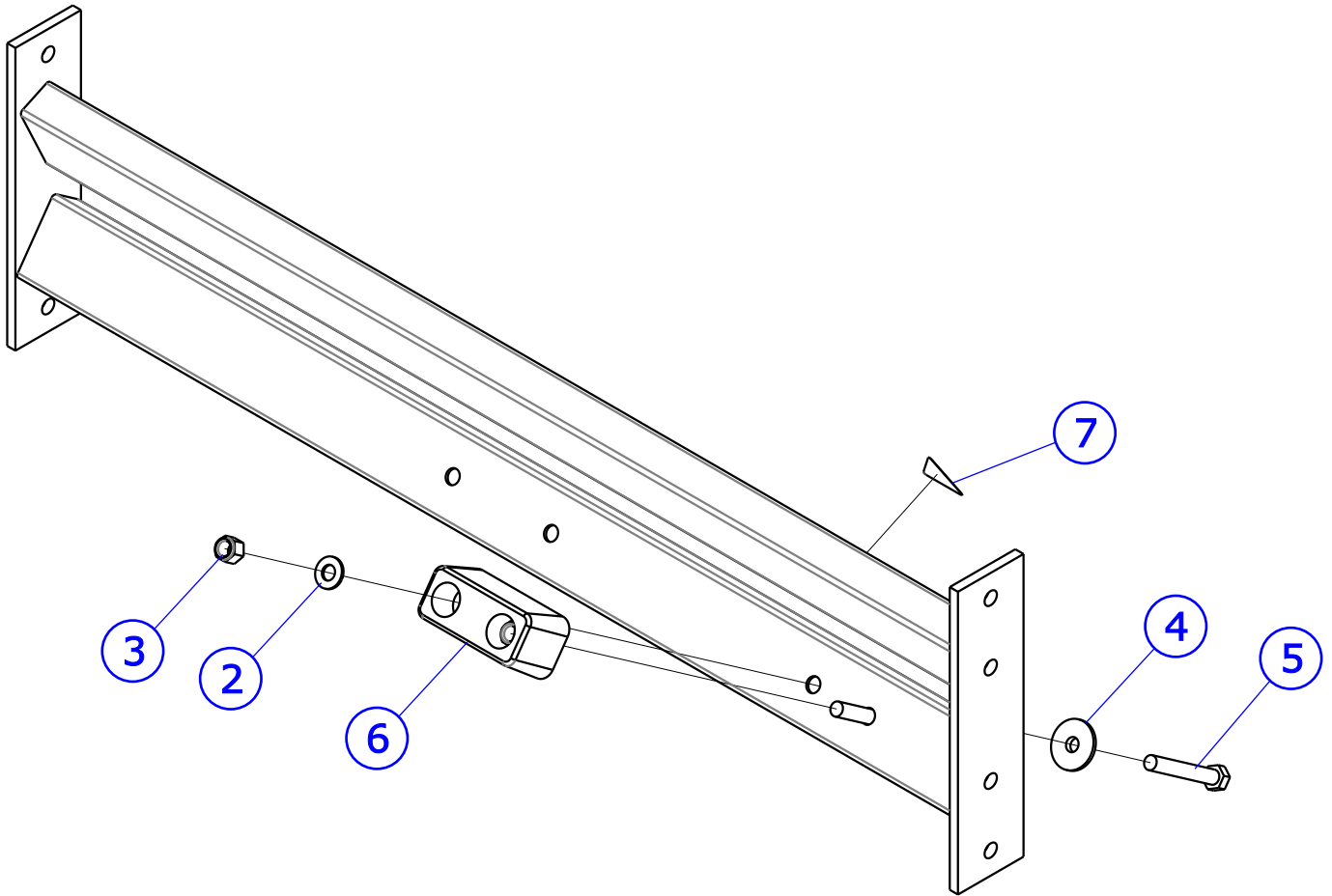
ITEM NO.	QTY.	PART NO.	DESCRIPTION
2	4	WASH.5SAE	1/2" SAE FLAT WASHER
3	4	NUT.5JAMLOCK	1/2 THIN LOCK NUT
4	4	WASH.5STAR	1/2" INTERNAL LOCK WASHER
5	4	HHB.5X3	1/2 X 3 BOLT
6	2	H-BUMP-LGE	LARGE BUMPER (VEN# MM1)
7	2	H-NONSKID 3X9	PLASTIC NON SKID STRIP 3 X 9
8	1	H-HPLUG (REG)	HOLE PLUG

# LEFT SIDE FRAME ASSEMBLY



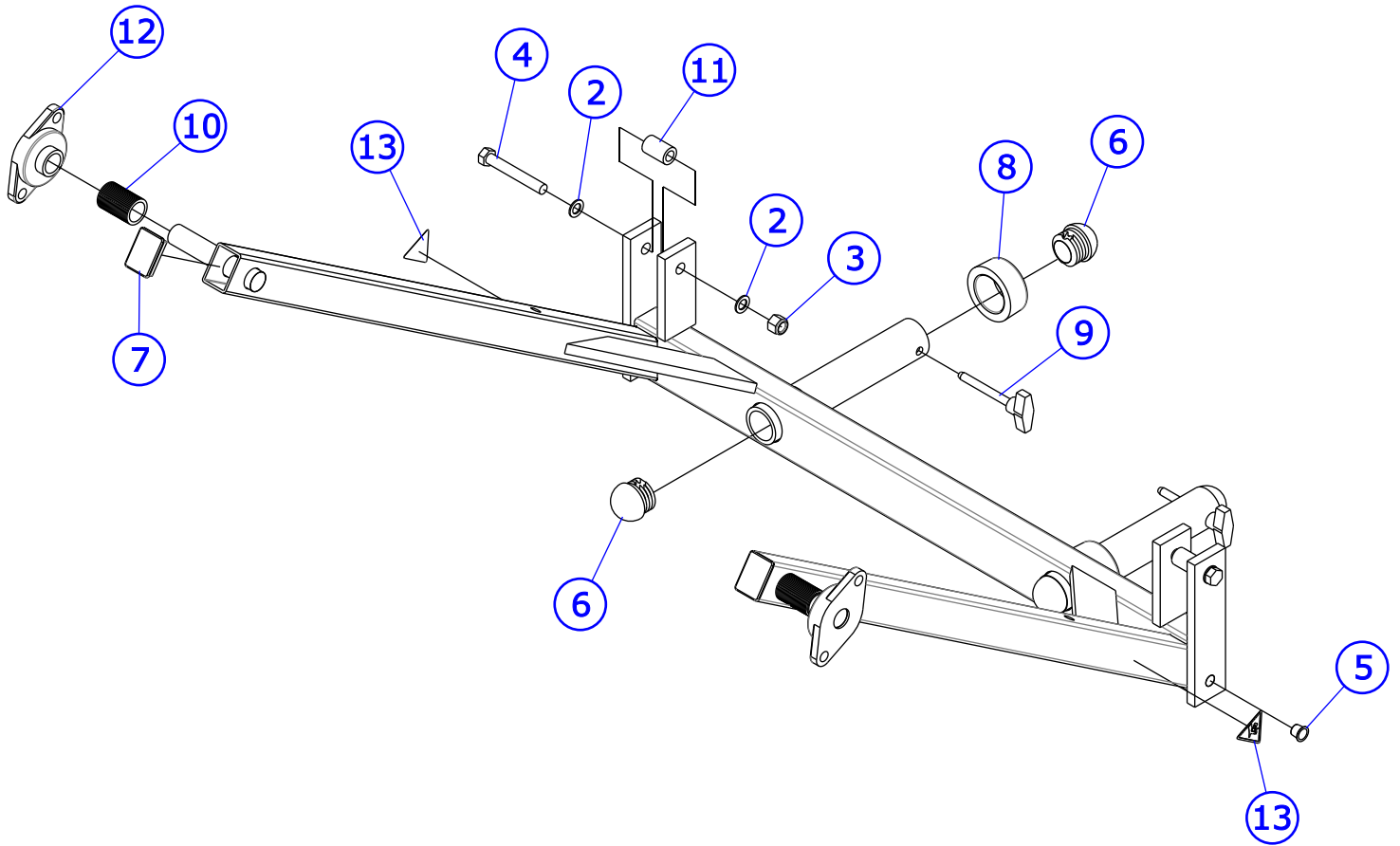
ITEM NO.	QTY.	PART NO.	DESCRIPTION
2	3	H-BACK-WASH	BACKING WASHER
3	3	HHB.5X3	1/2 X 3 BOLT
4	3	NUT.5LOCK	1/2 DIA THICK LOCK NUT
5	1	H-LOCK-PLUG(LARGE)	LARGE LOCKING PLUG
6	3	H-HPLUG (REG)	HOLE PLUG
7	1	RC1530-1Q1	CAP:1-1/2 X 3 RECTANGLE PLUG
8	1	H-NAMEPLATE	HAMMER STRENGTH BADGE
9	2	MM-9	3 X 6 FLANGE RUBBER SLIPPER
10	1	-	SERIAL NUMBER
11	1	8039501	LABEL, WARNING, TRIANGLE
12	1	8773701	LABEL, ASTM PL VERT

# TOP CROSSMEMBER ASSEMBLY



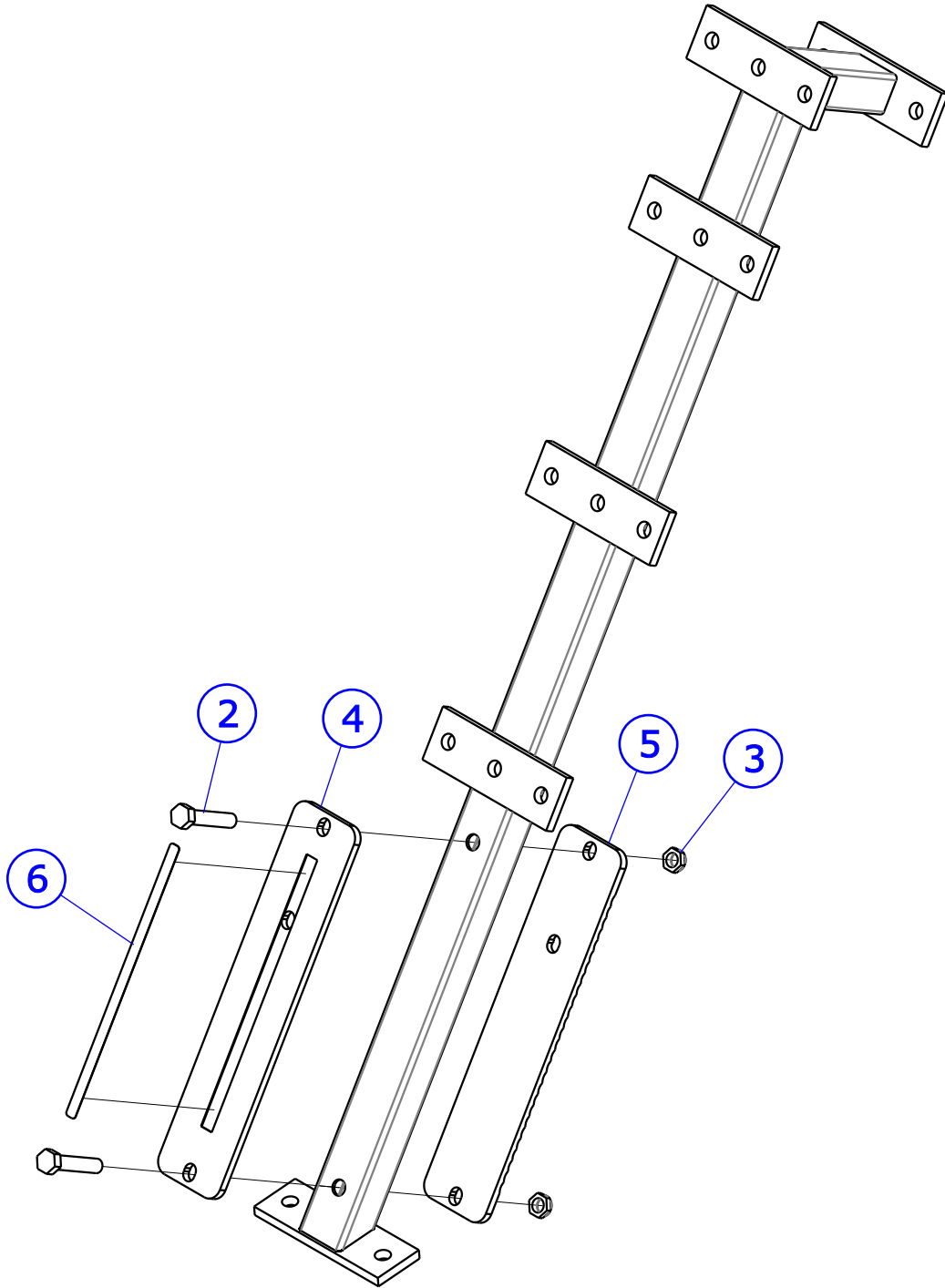
ITEM NO.	QTY.	PART NO.	DESCRIPTION
2	2	WASH.5SAE	1/2" SAE FLAT WASHER
3	2	NUT.5LOCK	1/2 DIA THICK LOCK NUT
4	2	H-BACK-WASH	BACKING WASHER
5	2	HHB.5X3.5	1/2 X 3 1/2 BOLT
6	1	H-BUMP-MED	H-BUMP-MED
7	1	8039501	LABEL, WARNING, TRIANGLE

# WORKBOX ASSEMBLY



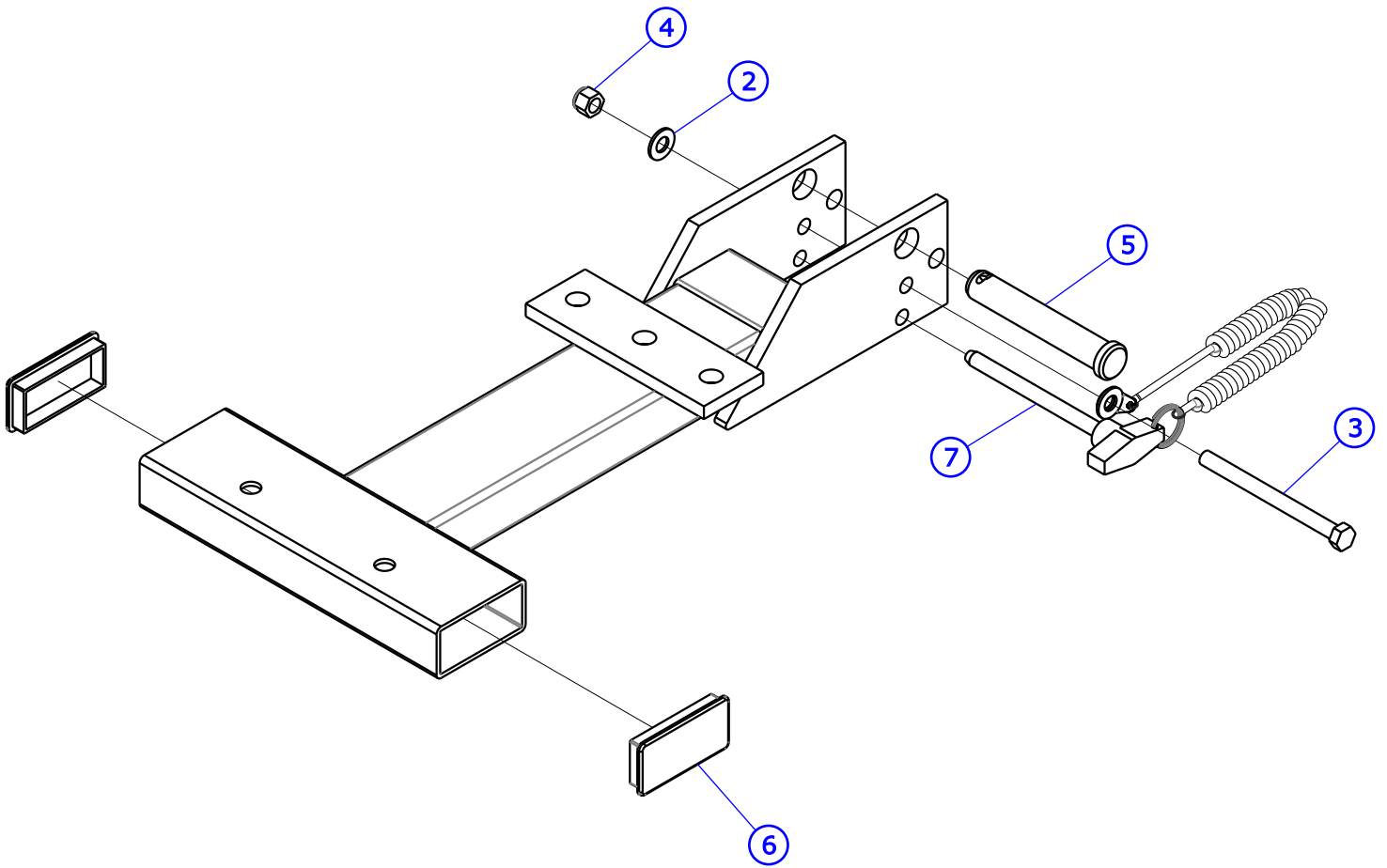
ITEM NO.	QTY.	PART NO.	DESCRIPTION
2	4	WASH.5STAR	1/2" INTERNAL LOCK WASHER
3	2	NUT.5LOCK	1/2 DIA THICK LOCK NUT
4	2	HHB.5X3.5	1/2 X 3 1/2 BOLT
5	2	H-HPLUG (REG)	HOLE PLUG
6	4	RUBCAP1-2	RUBBER CAP #1
7	2	RC1520-1Q1	CAP:1-1/2 X 2 RECTANGLE PLUG
8	2	1000146-0001	BUMPER, WEIGHT HORN, FLAT -30MM
9	2	SELECTOR PIN-3	SELECTOR PIN 3 IN.
10	2	ACCORDIAN	SHAFT GUARD
11	2	H-CAM-SPACER	CAM STRAP SPACER
12	2	H-BEAR-SML	SMALL BEARING
13	2	8039501	LABEL, WARNING, TRIANGLE

# SEAT FRAME ASSEMBLY



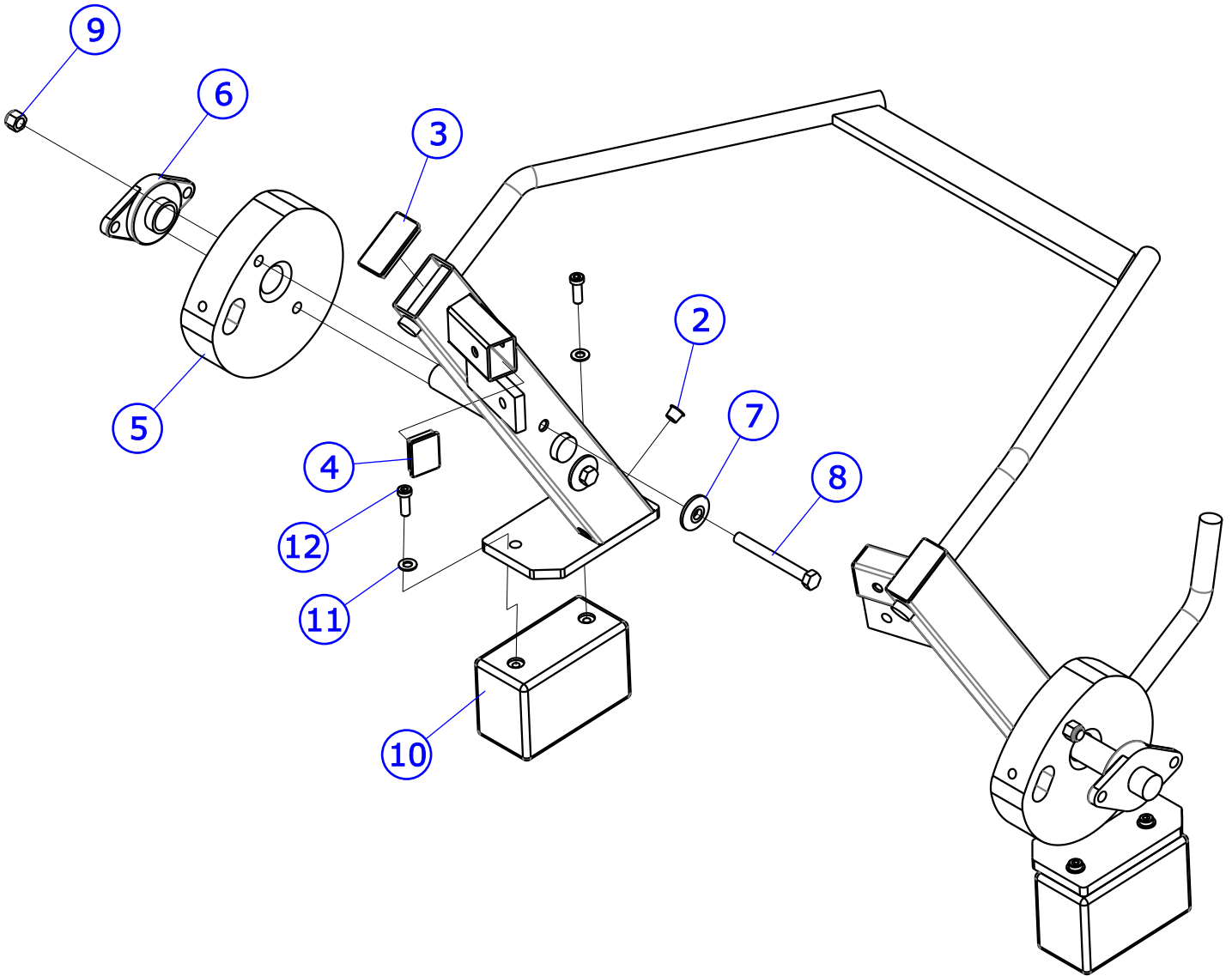
ITEM NO.	QTY.	PART NO.	DESCRIPTION
2	2	HHB.5X2.5	1/2 X 2 1/2 BOLT
3	2	NUT.5JAMLOCK	1/2 THIN LOCK NUT
4	1	H-SEATRCKS-N	PLASTIC SEAT GUIDES(PP229)NEW)
5	1	H-SEATRCKS-RIB	SEATRACK BACK
6	1	SEAT NUMBER	SEAT ADJ.NUMBER

# STD SEAT 2 ASSEMBLY



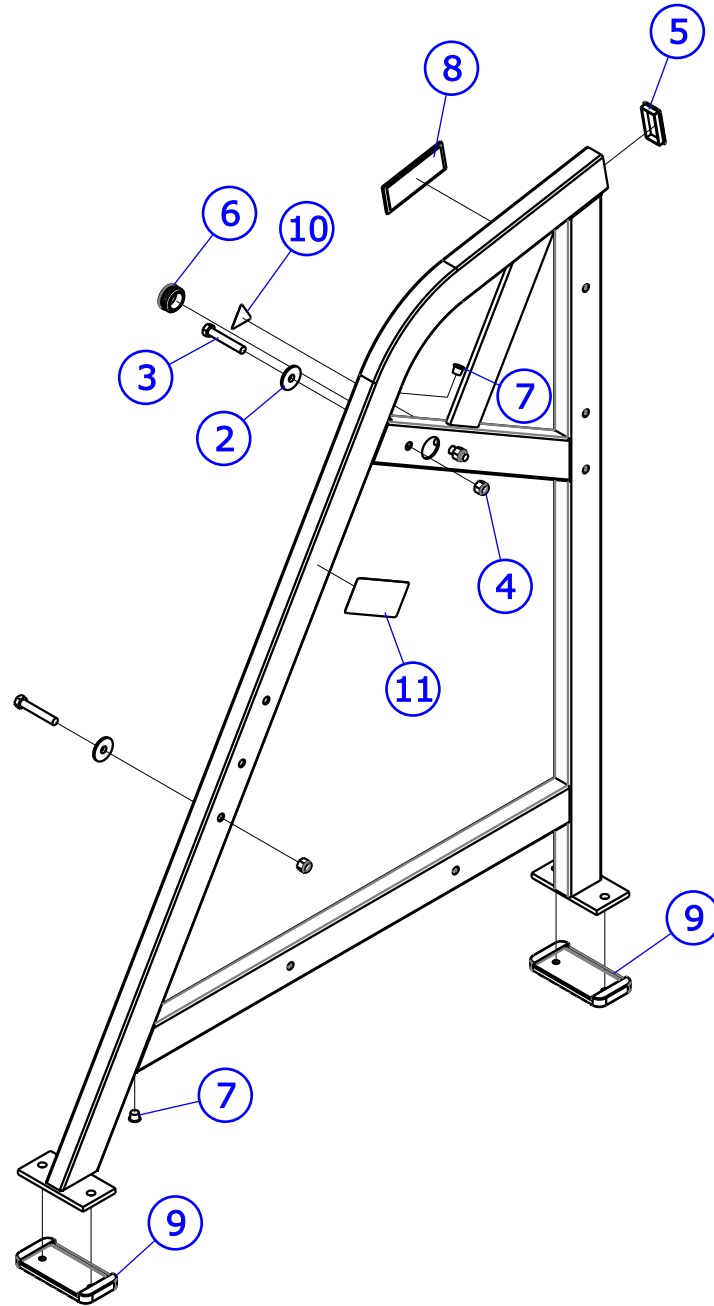
ITEM NO.	QTY.	PART NO.	DESCRIPTION
2	2	WASH.375SAE	3/8" SAE FLAT WASHER
3	1	HHB.375X4.5	STEEL BOLT 3/8 X 4.5
4	1	NUT.375LOCK	3/8 THICK LOCK NUT
5	1	STD SEAT PIN	STD SEAT PIN
6	2	RC1530-1Q1	CAP:1-1/2 X 3 RECTANGLE PLUG
7	1	SELECTOR PIN-4	SELECTOR PIN 4" WITH LANYARD

# MOVEMENT ARM ASSEMBLY



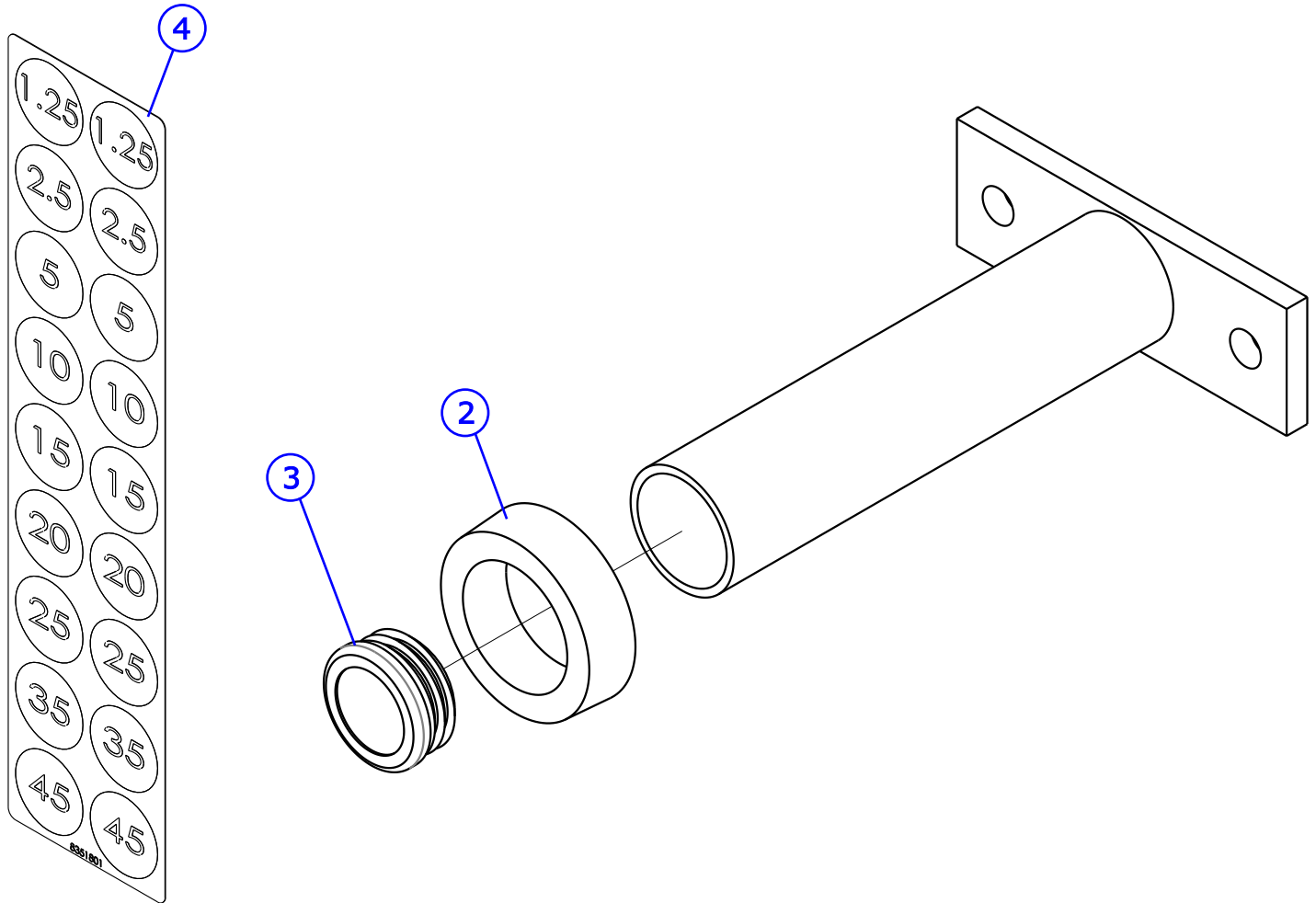
ITEM NO.	QTY.	PART NO.	DESCRIPTION
2	4	H-HPLUG (REG)	HOLE PLUG
3	2	RC1530-1Q1	CAP:1-1/2 X 3 RECTANGLE PLUG
4	2	RC1520-1Q1	CAP:1-1/2 X 2 RECTANGLE PLUG
5	2	CAM5	CAM #5
6	2	32445001	LARGE BEAR - EFHSFTJ206-20G
7	4	H-BACK-WASH	BACKING WASHER
8	4	HHB.5X4.5	1/2 X 4 1/2 BOLT
9	4	NUT.5LOCK	1/2 DIA THICK LOCK NUT
10	2	7802401	WEIGHT, COUNTER MED
11	4	WASH.375SAE	3/8" SAE FLAT WASHER
12	4	3236203	SCREW, M10 X1.5 30MM

# RIGHT SIDE FRAME ASSEMBLY



ITEM NO.	QTY.	PART NO.	DESCRIPTION
2	3	H-BACK-WASH	BACKING WASHER
3	3	HHB.5X3	1/2 X 3 BOLT
4	3	NUT.5LOCK	1/2 DIA THICK LOCK NUT
5	1	RC1530-1Q1	CAP:1-1/2 X 3 RECTANGLE PLUG
6	1	H-LOCK-PLUG(LARGE)	LARGE LOCKING PLUG
7	3	H-HPLUG (REG)	HOLE PLUG
8	1	H-NAMEPLATE	HAMMER STRENGTH BADGE
9	2	MM-9	3 X 6 FLANGE RUBBER SLIPPER
10	1	8039501	LABEL, WARNING, TRIANGLE
11	1	ID-PLPO	PLACARD, PLPO

# WEIGHT HORN ASSEMBLY



ITEM NO.	QTY.	PART NO.	DESCRIPTION
2	1	H-RUBRNG	MM5 RING
3	1	H-RUBCAP2	PLUG, HAMMER WEIGHT HORN
<b>LABEL NOT INCLUDED IN ASSEMBLY</b>			
4	-	8351801	LABEL, WEIGHT HORN, SHEET