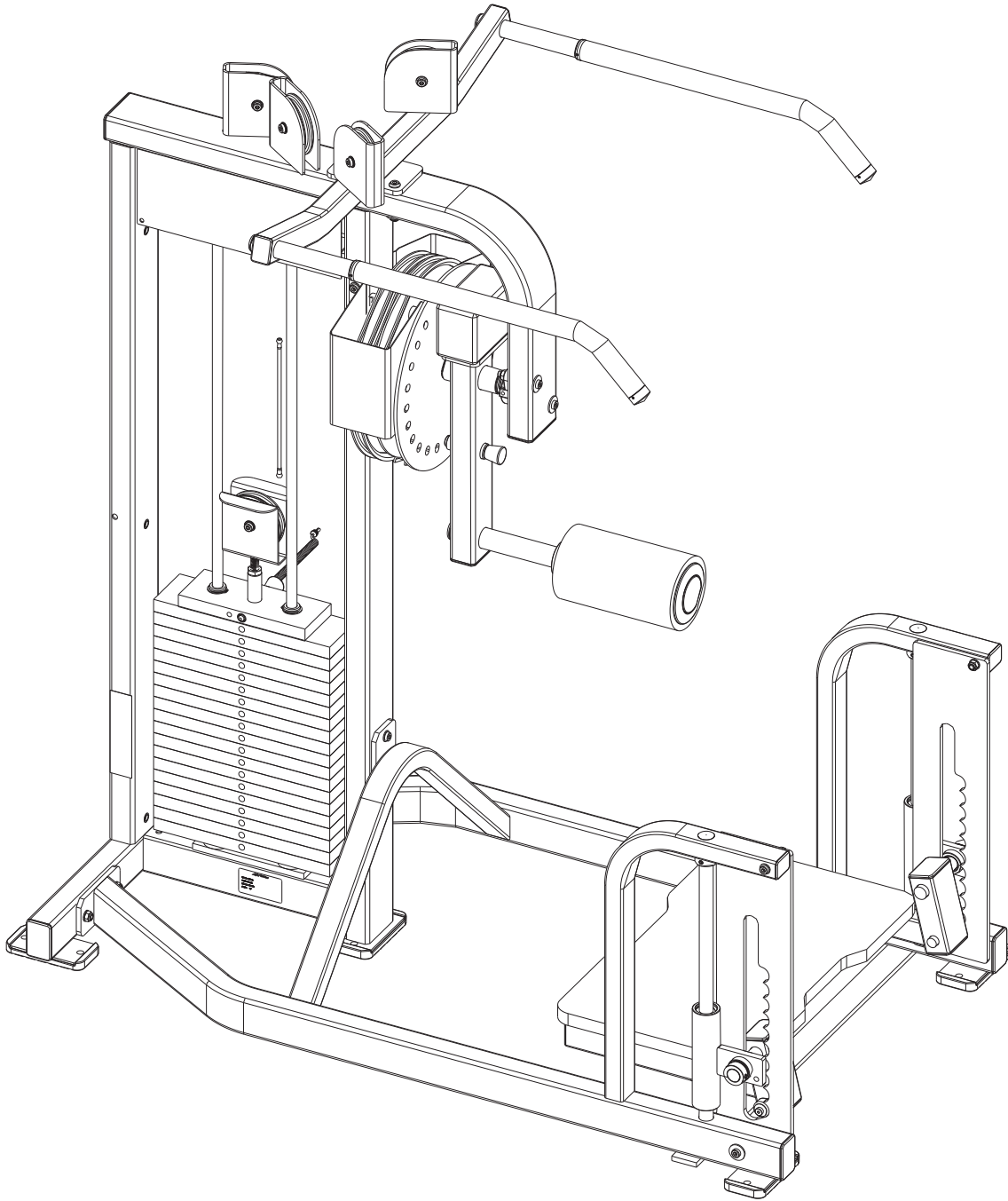




PRO 2 SERIES
PSHG HIP/GLUTE

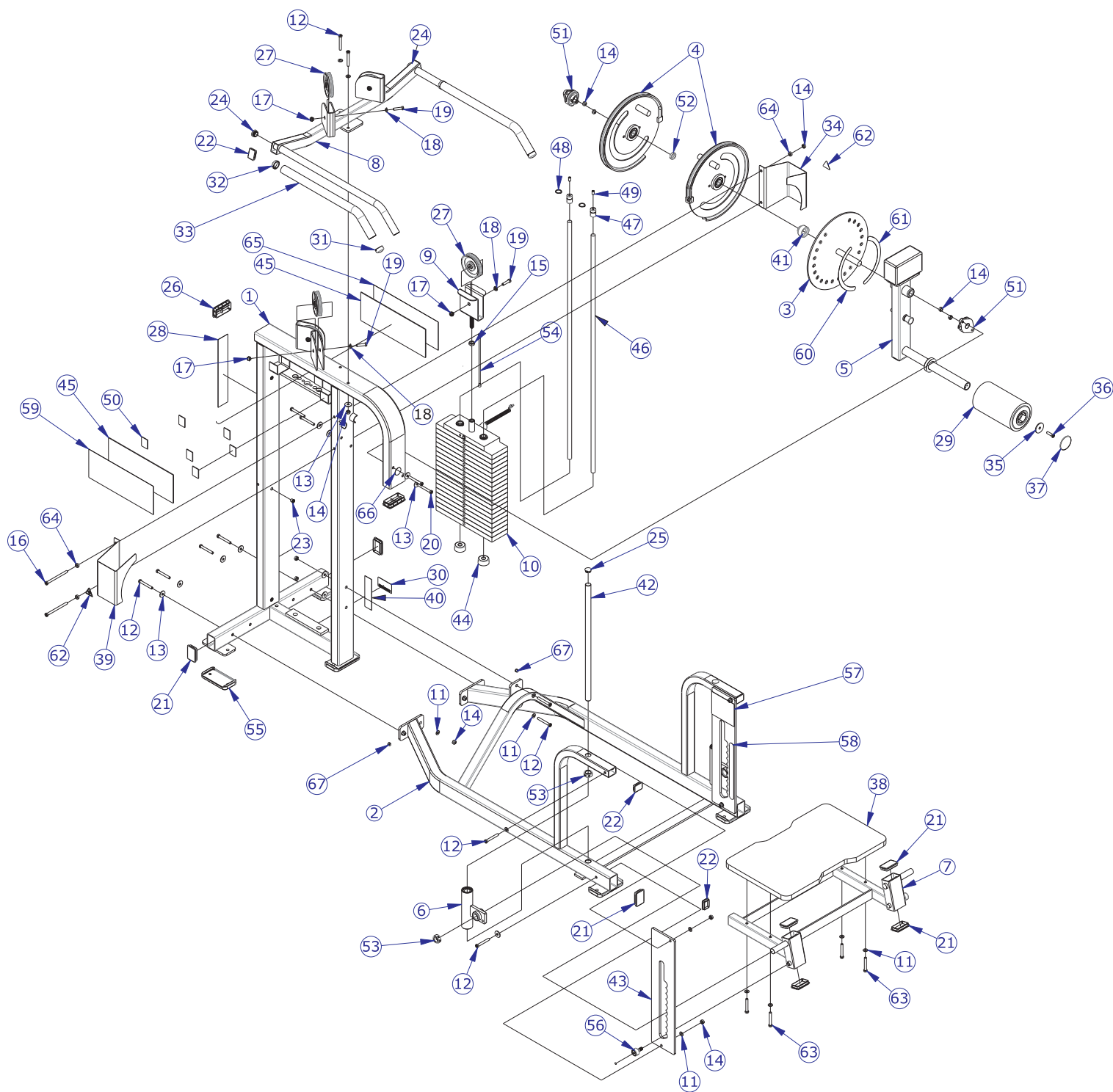


Customer Support Services
PARTS MANUAL

PSHG HIP/GLUTE CONTENTS

	PAGE
COMPONENT ASSEMBLY	3
COMPONENT ASSEMBLY LEGEND	4
DRIVE PULLEY ASSEMBLY	5
WORKARM ASSEMBLY	6
WORKARM ASSEMBLY LEGEND	7
LINEAR BEARING HOUSING ASSEMBLY	8
ADD-ON INCREMENT WEIGHT ASSEMBLY	9
300 LB. WEIGHT STACK ASSEMBLY	10
OPTIONAL REAR SHROUD ASSEMBLY	11

PSHG HIP/GLUTE COMPONENT ASSEMBLY

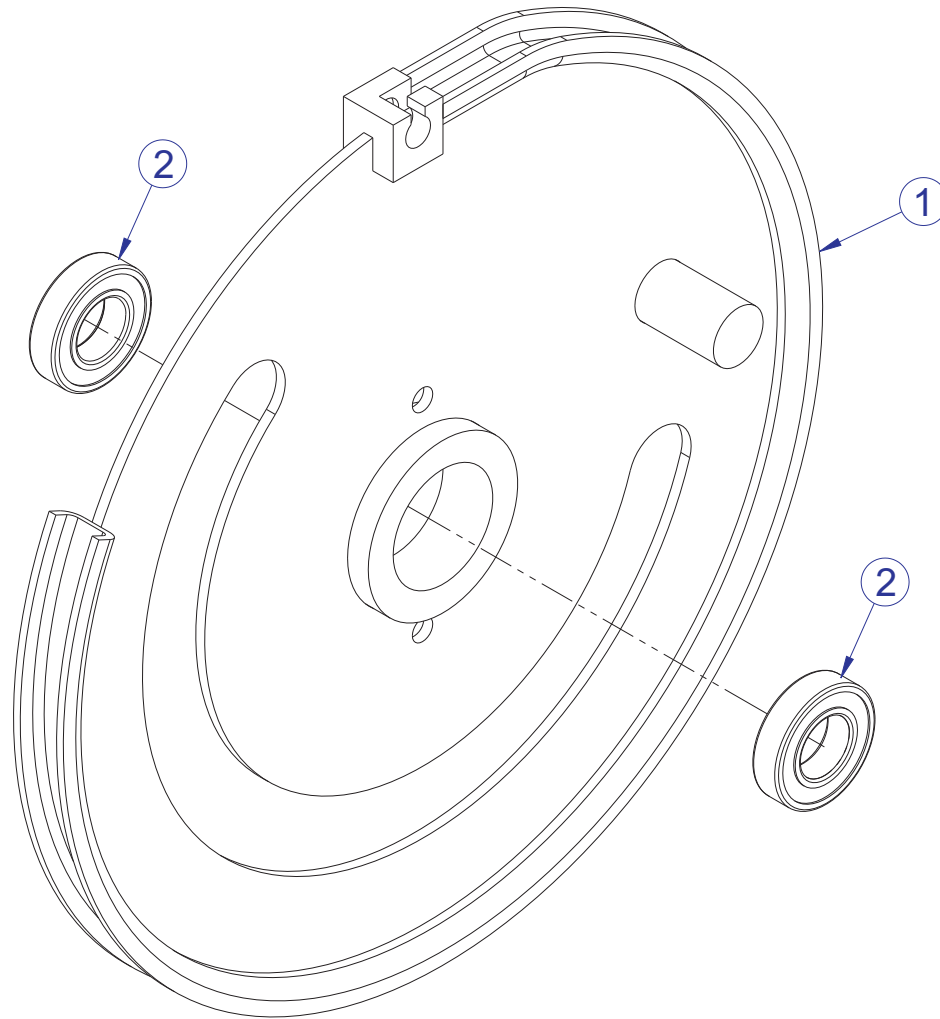


SEE PAGE 4 FOR LEGEND

PSHG HIP/GLUTE COMPONENT ASSEMBLY LEGEND

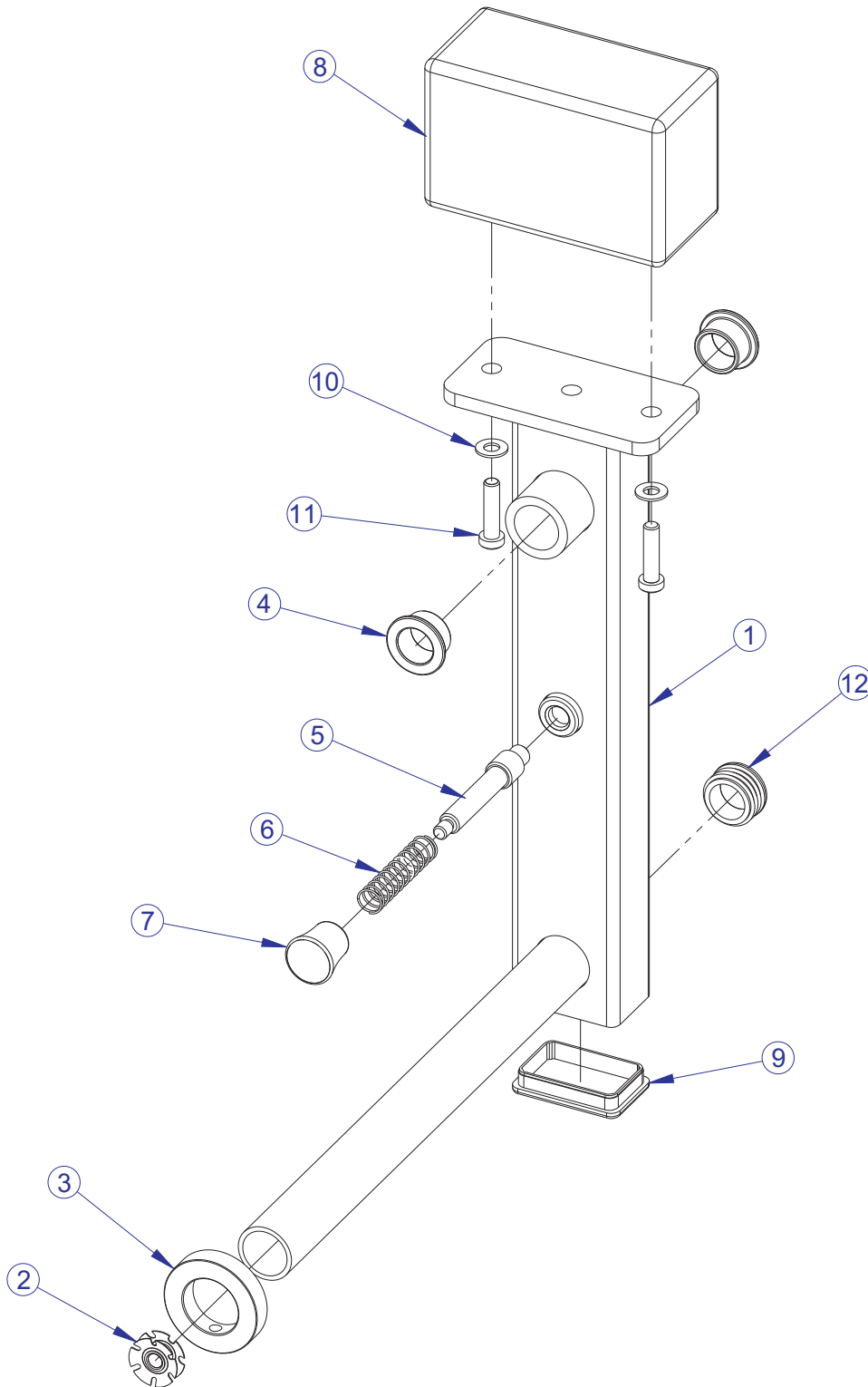
ITEM NO.	QTY.	PART NO.	DESCRIPTION	FRAME COLOR
1	1	82066XX	WLDMT, PSHG WT STACK	ANY
2	1	82075XX	WLDMT, PSHG BASE FRAME	ANY
3	1	82090XX	WLDMT, PSHG SEL PLATE	ANY
4	2	8275001	ASSY, PSHG DRIVE PULLEY	ANY
5	1	8221401	ASSY, PSHG WORKARM	ANY
6	2	8221501	ASSY, PSHG LINEAR BEARING	ANY
7	1	91793XX	WLDMT, PSHG PLATFORM	ANY
8	1	82084XX	WLDMT, PSHG HANDLEBAR	ANY
9	1	7425795	WLDMT, FLOATING PULLEY -SHW GRY	ANY
10	1	7353501	ASSY, 300LB STACK	-
11	19	3236601	WASHER, 3/8 SAE SS	-
12	12	3236212	SCREW, M10 X1.5 75MM	-
13	13	3236602	WASHER, 3/8 ID X 1.25 OD SS	-
14	18	3236801	NUT, M10 HEX NYLOCK SS	-
15	1	3236902	NUT, HEX JAM M16 X 2 SS	-
16	2	3236220	SCREW, M10 X1.5 130MM	-
17	5	7335401	NUT, M10 X 1.5 SOCKET HEAD	-
18	5	7348101	WASHER, SPACER	-
19	5	3236205	SCREW, M10 X1.5 40MM	-
20	4	3236213	SCREW, M10 X1.5 80MM	-
21	8	7352301	CAP, END 2 X 3	-
22	6	7352201	CAP, END 1-1/2 X 2	-
23	6	3238101	NUT, BLIND INSERT M10 X 1.5	-
24	2	3119303	CAP, END 1.25 DIA RD 10-14 GA	-
25	2	3237403	PLUG, 1" HOLE	-
26	2	7352401	CAP, END 2 X 4	-
27	5	3237801	PULLEY, 4.5" OD	-
28	1	7348001	LABEL, LIFE FITNESS LOGO	-
29	1	74247XX	ASSY, ROLLER PAD - SHORT	ANY
30	1	7571301	LABEL, SERIAL NUMBER, BLANK	-
31	2	8259401	CAP, GRIP 1.50 OD X 1.27 ID	-
32	2	8259501	RING, GRIP 1.52 OD X 1.30 ID	-
33	2	8683901	PSHG 28 IN. GRIP SERVICE KIT	-
34	1	8221201	SHROUD, PSHG WORKBOX - RT	-
35	1	7322301	PLATE, 1.97 OD X .44 ID 10GA	-
36	1	3236204	SCREW, M10 X1.5 35MM	-
37	1	7308701	CAP, BEARING HOUSING	-
38	1	8221701	PLATFORM, PSHG LINEXED	-
39	1	8254501	SHROUD, PSHG WORKBOX - LT	-
40	1	82200XX	LABEL, ASTM WARNING SELECT	-
41	1	8221901	SPACER, PSHG SHAFT	-
42	2	8221601	GUIDE ROD, PSHG 1" DIA CASE HARDENED	-
43	2	8221801	RACK, PSHG PLATFORM	-
44	2	7352101	CUSHION, WEIGHT STACK	-
45	2	9169501	COVER, STACK-PRO2 RECT.	-
46	2	7328605	GUIDE ROD, .75 OD SOLID 52.38	-
47	2	7402301	RETAINER, GUIDEROD	-
48	2	3232421	RING, BRE .940, 5100-100 ST PP B	-
49	2	3240501	M10 X 1.5 HXS NO CUP ST BO	-
50	12	7544202	PAD, DUAL LOCK 250 1.5" X 2.0"	-
51	2	3237701	ASSY, PILLOW BLOCK 4.88 X 2.75	-
52	1	8307101	SPACER, PS 1" SHAFT	-
53	4	7435301	COLLAR, SHAFT 1.020 ID	-
54	1	7423810	CABLE, PSHG 150-1/2	-
55	5	7388201	FOOTPAD, PS RUBBER	-
56	2	9179101	CAM FOLLOWER, 1.25" HEXED SEALED	-
57	2	8275901	LABEL, PSHG RACK INSTRUCTION	-
58	2	8275401	LABEL, PSHG 1-10	-
59	1	8224901	LABEL, PSHG LOGO PANEL	-
60	1	8275101	LABEL, PSHG SELECTOR PLATE-LT	-
61	1	8275201	LABEL, PSHG SELECTOR PLATE-RT	-
62	2	8039501	LABEL, WARNING, TRIANGLE	-
63	4	3236211	SCREW, M10 X1.5 70MM	-
64	4	7385201	SPACER, .406 X .750 X .250	-
65	1	82213XX	LABEL, PSHG PLACARD	-
66	1	7488701	LABEL, AXIS OF ROTATION	-
67	4	3237401	PLUG, 7/16" HOLE	-

PSHG HIP/GLUTE DRIVE PULLEY ASSEMBLY - 82750XX



ITEM NO.	QTY.	PART NO.	DESCRIPTION
1	1	82085XX	WLDMT, PSHG DRIVE PULLEY
2	2	3243401	BEARING, R16-2RS, STD BALL

PSHG HIP/GLUTE WORKARM ASSEMBLY - 82214XX

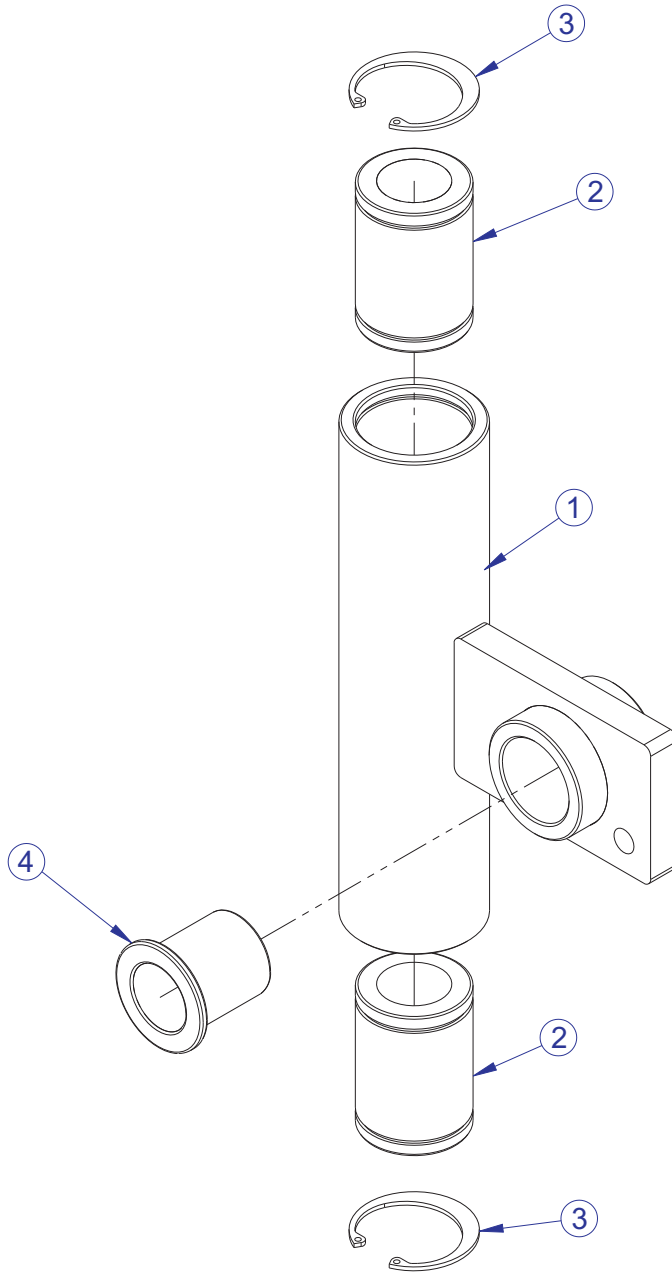


SEE PAGE 7 FOR LEGEND

PSHG HIP/GLUTE WORKARM ASSEMBLY LEGEND

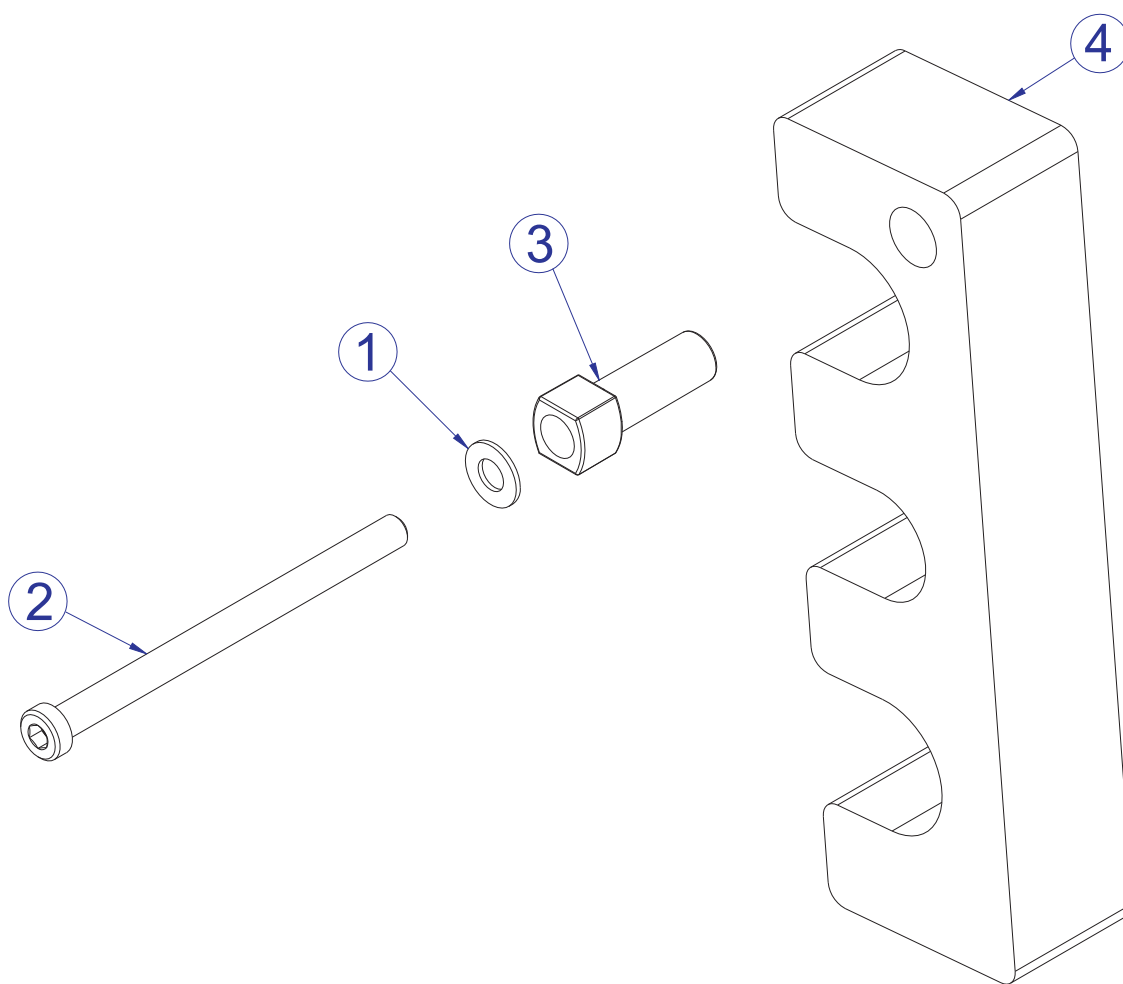
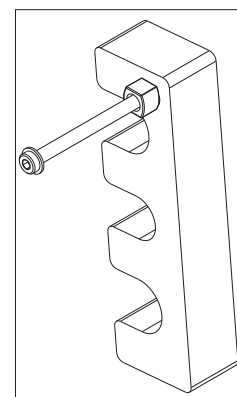
ITEM NO.	QTY.	PART NO.	DESCRIPTION
1	1	8209301	WLDMT, PSHG WORKARM
2	1	7347301	NUT, SPIDER M10 X 1.5
3	1	7357901	SHAFT COLLAR, 1-1/2" ID ALUM
4	2	3104903	1.00" ID 1.25" OD BRONZ BUSHING
5	1	7351301	PIN, PULL X 4.375
6	1	7351501	SPRING; PULL PIN LARGE
7	1	7351401	KNOB, TULIP STYLE
8	1	7802401	WEIGHT, COUNTER MED
9	1	7352301	CAP, END 2 X 3
10	2	3236601	WASHER, 3/8 SAE SS
11	2	3236205	SCREW, M10 X1.5 40MM
12	1	3119306	CAP, END 1.50 DIA RD 8-12 GA

PSHG HIP/GLUTE LINEAR BEARING HOUSING ASSEMBLY - 82215XX



ITEM NO.	QTY.	PART NO.	DESCRIPTION
1	1	83320XX	WLDMT, PSHG LINEAR BEARING
2	2	3245601	BEARING, LINEAR 1" ID
3	2	3202601	RET RING, INT 1-3/4 DIA X1/16
4	1	3104909	BEARING, FLG 1.00 ID X 1.25 OD X 1.50 L

PSHG HIP/GLUTE ADD-ON INCREMENT WEIGHT ASSEMBLY - 7415001

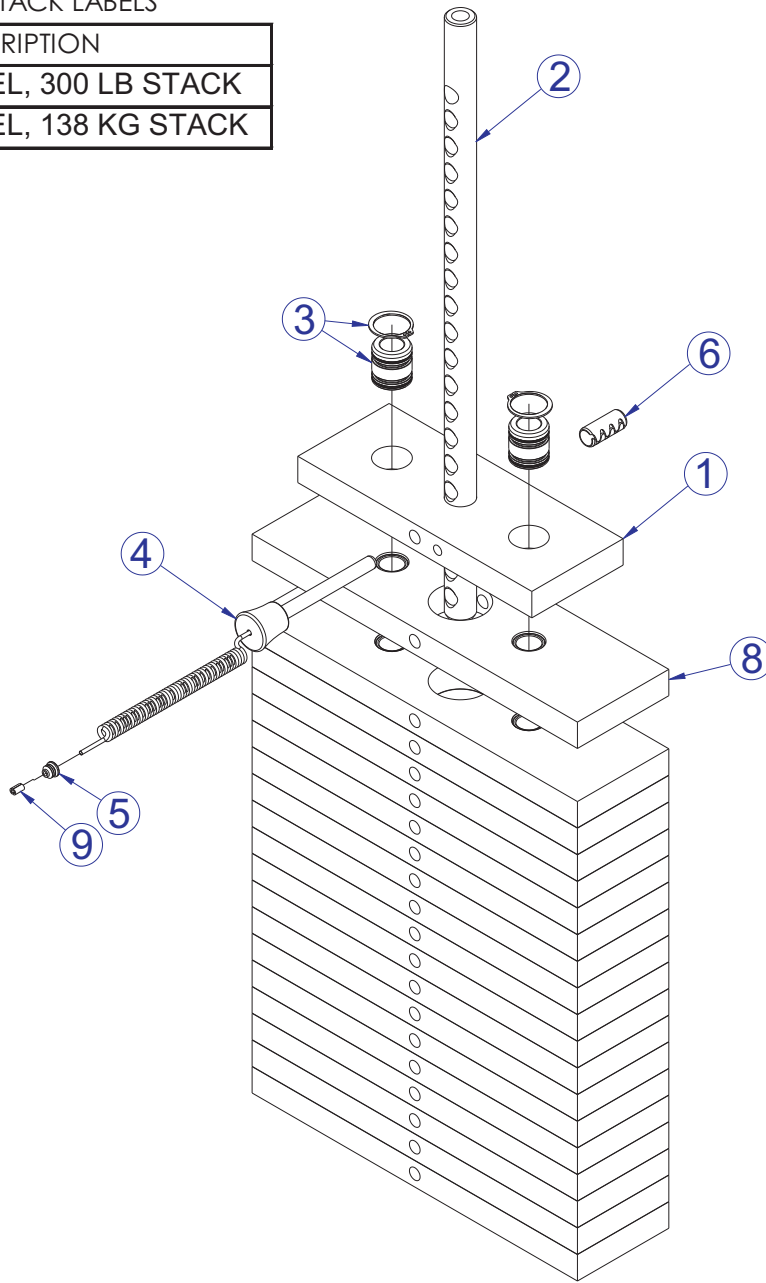
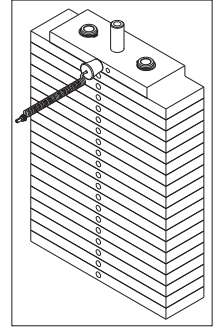


ITEM NO.	QTY.	PART NO.	DESCRIPTION
1	1	3236601	WASHER, 3/8 SAE SS
2	1	3236221	SCREW, M10 X1.5 140MM
3	1	7401701	COVER, PLASTIC PEG 2-1/4
4	1	7366101	WEIGHT, 7.5 LB. ADD-ON

PSHG HIP/GLUTE WEIGHT STACK ASSY 300LB - 7353501

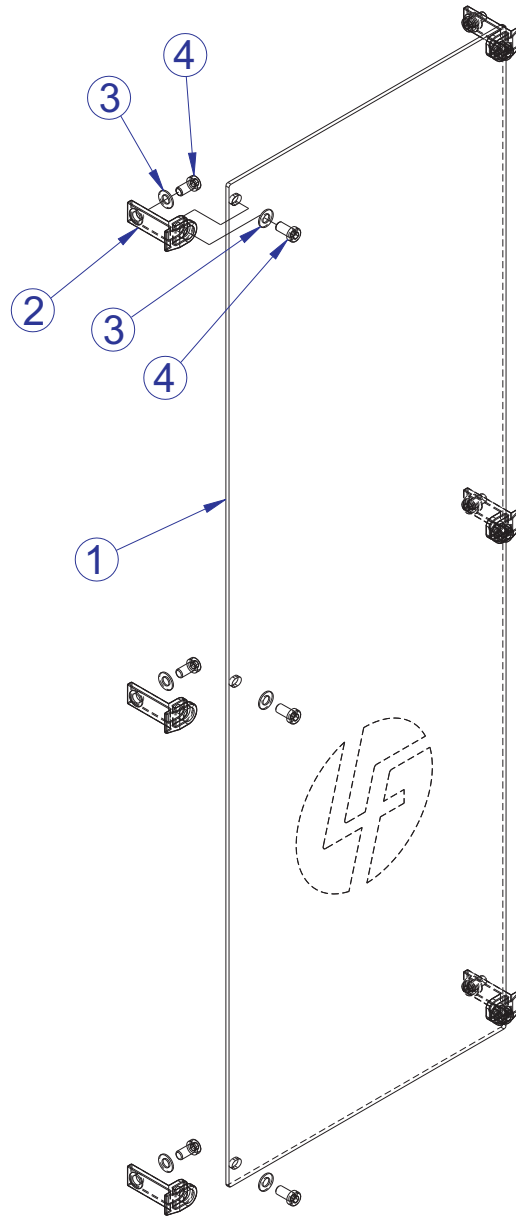
WEIGHT STACK LABELS

PART NO.	DESCRIPTION
7987201	LABEL, 300 LB STACK
7987401	LABEL, 138 KG STACK



ITEM NO.	QTY.	PART NO.	DESCRIPTION
1	1	7353901	HEADPLATE, WT. STACK
2	1	7356600	STEM, PRO2 19 HOLE
3	2	7338001	BUSHING, HEADPLATE
4	1	7353001	ASSY, SELECTOR PIN
5	1	7356501	PLUG, LANYARD ATTACHMENT
6	1	3236001	BUSHING, SPRING PIN
8	19	7353801	ASSY, 15 LB PLATE
9	1	7523601	CRIMP, CABLE

PSHG HIP/GLUTE OPTIONAL REAR SHROUD KIT STD-MED - 7415202



ITEM NO.	QTY.	PART NO.	DESCRIPTION
1	1	8352402	SHROUD, PS REAR 51.0 X 16.43
2	6	7655301	BRACKET, PS REAR SHIELD
3	12	3236601	WASHER, 3/8 SAE SS
4	12	3236201	SCREW, M10 X1.5 20MM