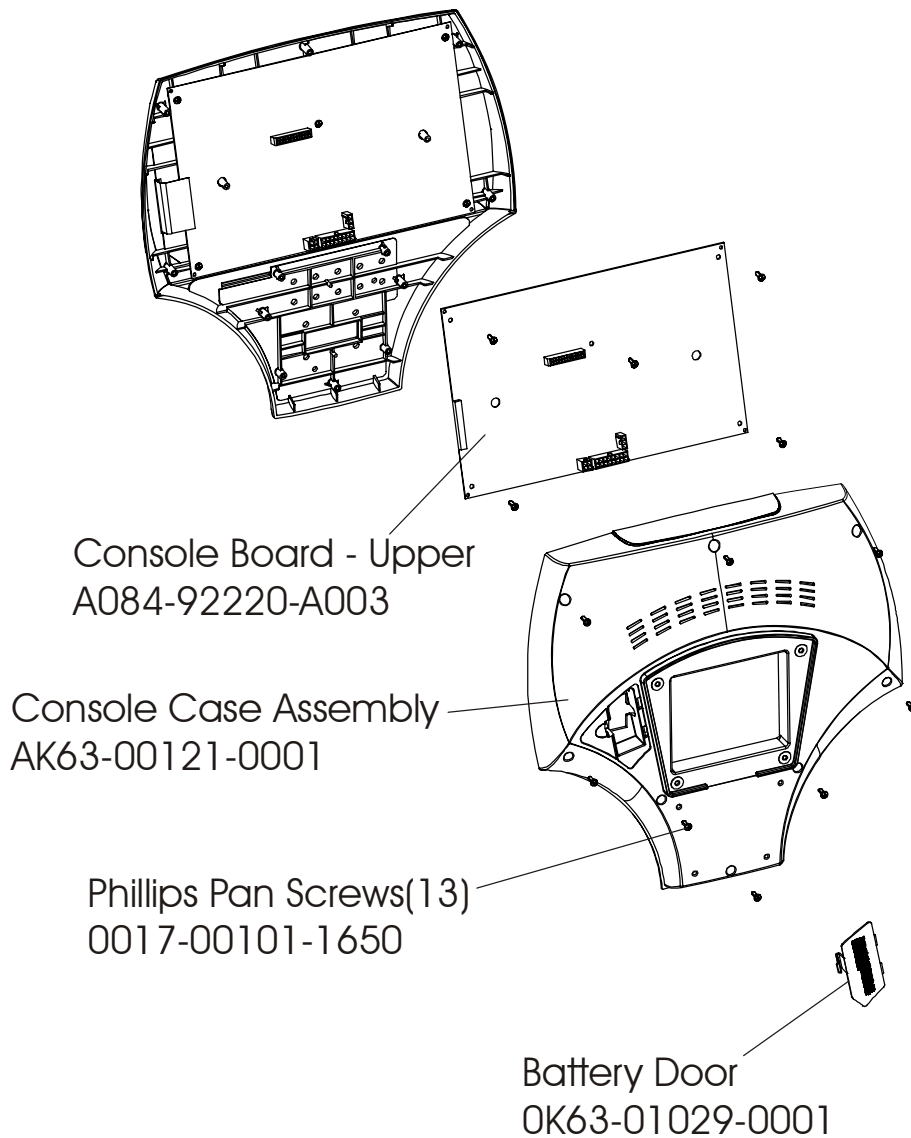


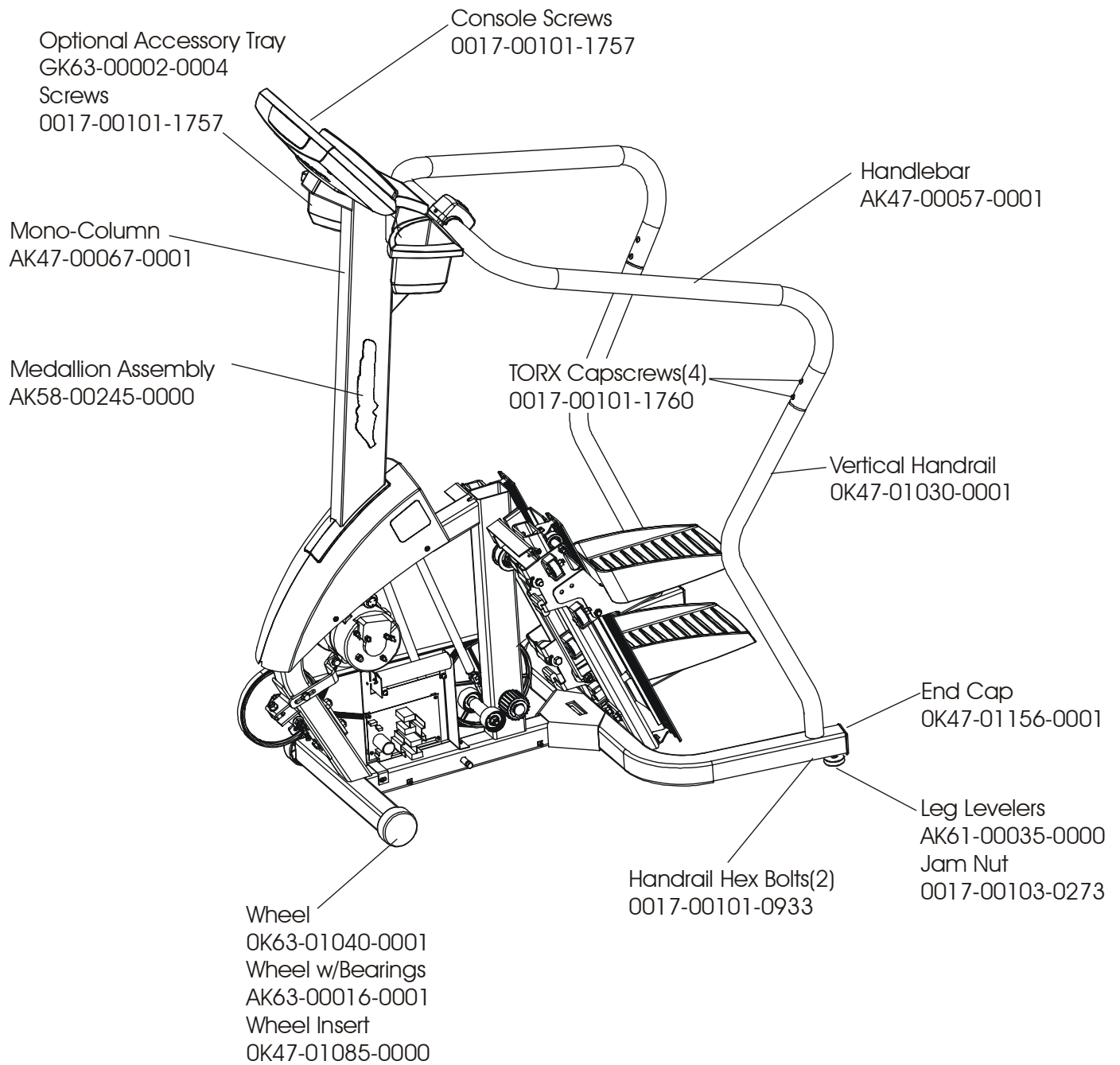
| Description | Part Number |
|-----------------------|-----------------|
| Service Manual | M051-00K47-A013 |
| Operation Manual, Eng | M051-00K47-A033 |
| Hardware Bag | AK47-00108-0000 |



| Console Assembly | Overlay/Bezel/Switch Assy |
|-------------------------|----------------------------------|
| AK47-00096-0001 Eng Met | AK47-00100-0001 Eng Met |
| AK47-00096-0003 Ger Met | AK47-00100-0003 Ger Met |
| AK47-00096-0004 Spn Met | AK47-00100-0004 Spn Met |
| AK47-00096-0006 Jap Met | AK47-00100-0006 Jap Met |
| AK47-00096-0007 Frn Met | AK47-00100-0007 Frn Met |
| AK47-00096-0008 Itl Met | AK47-00100-0008 Itl Met |
| AK47-00096-0009 Dut Met | AK47-00100-0009 Dut Met |
| AK47-00096-0010 Por Met | AK47-00100-0010 Por Met |

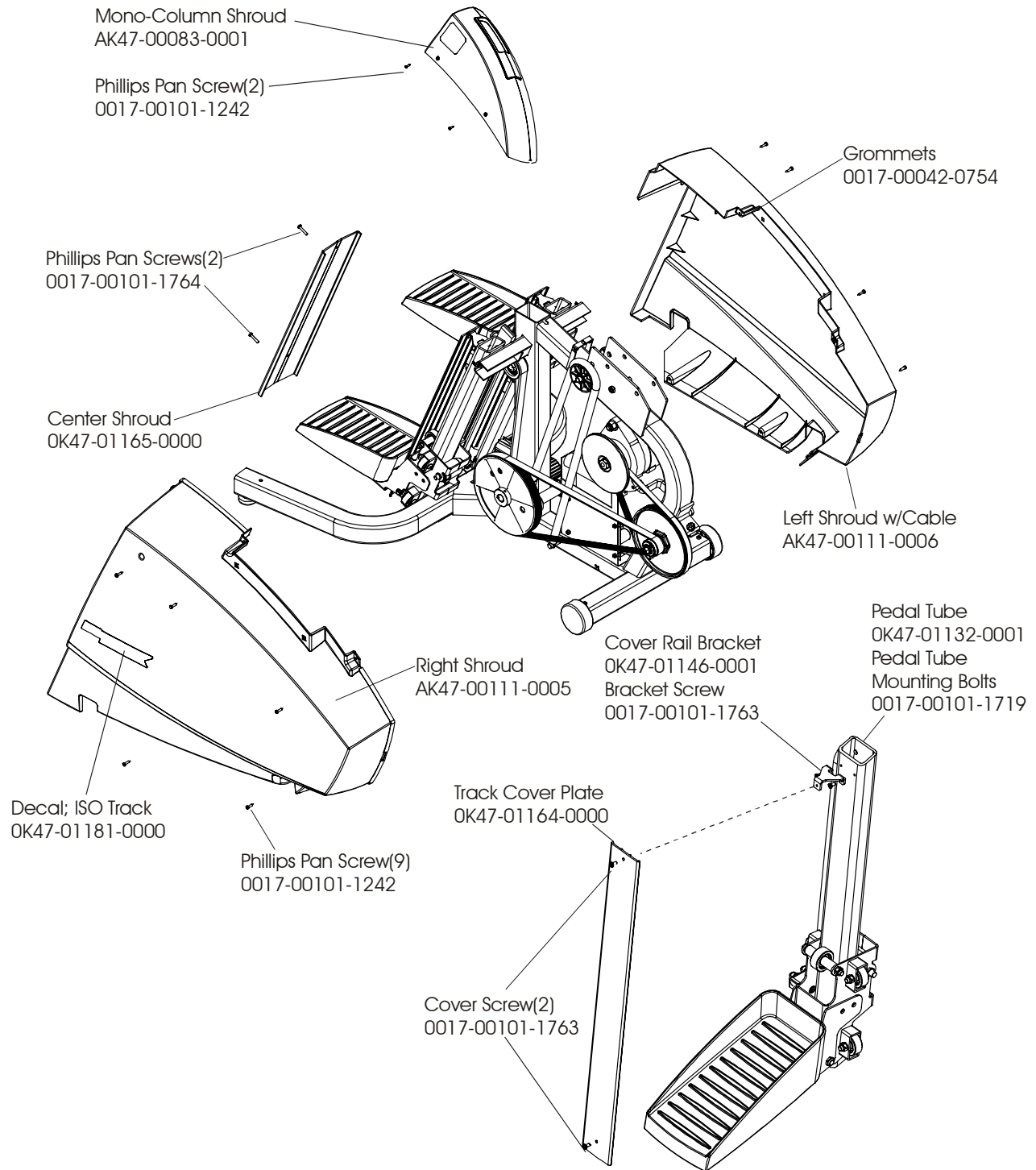
Stepper 90S Frame Assembly

90S-XXXX-01
S/N SCA100000



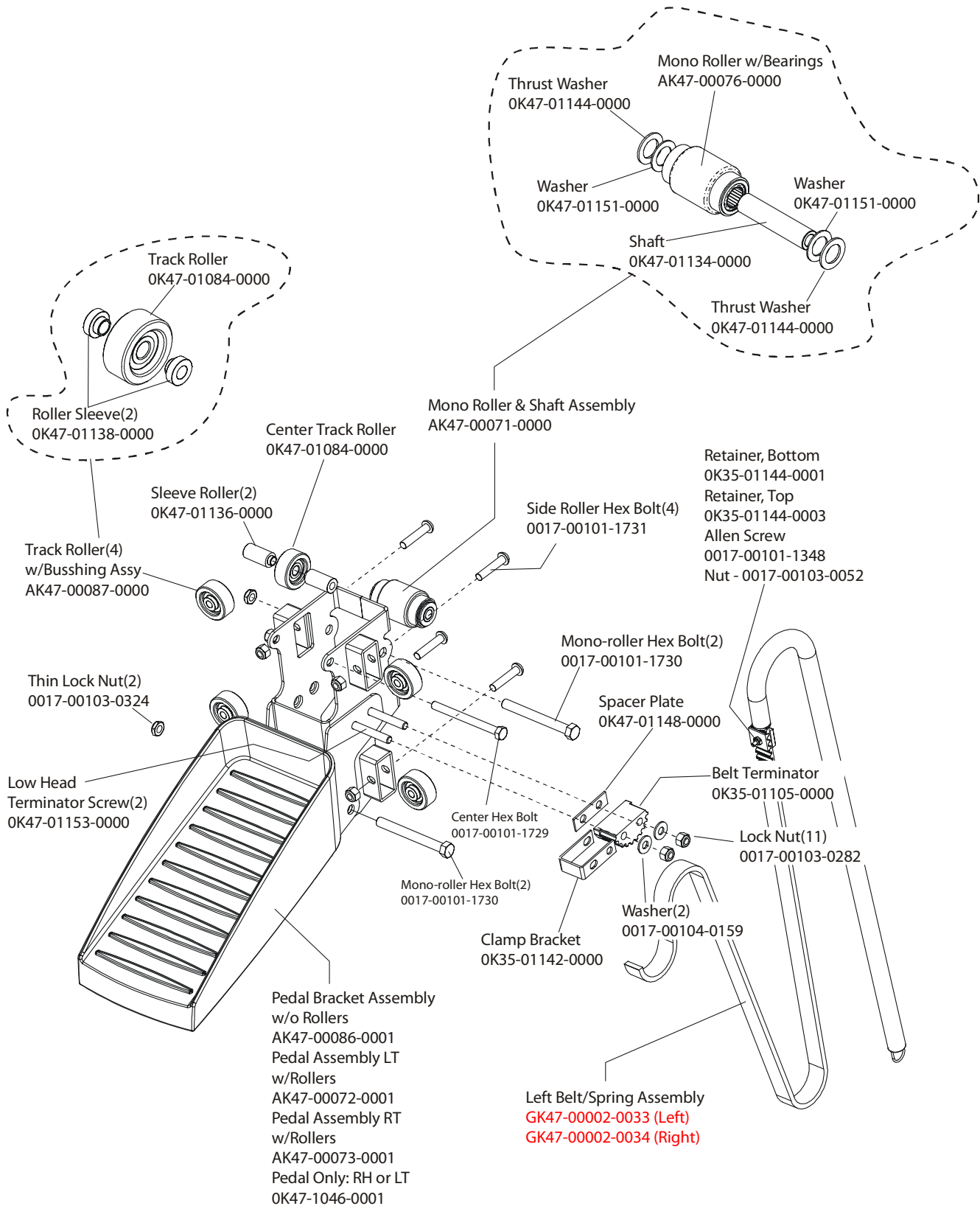
Stepper 90S Shrouds & Pedal Tube

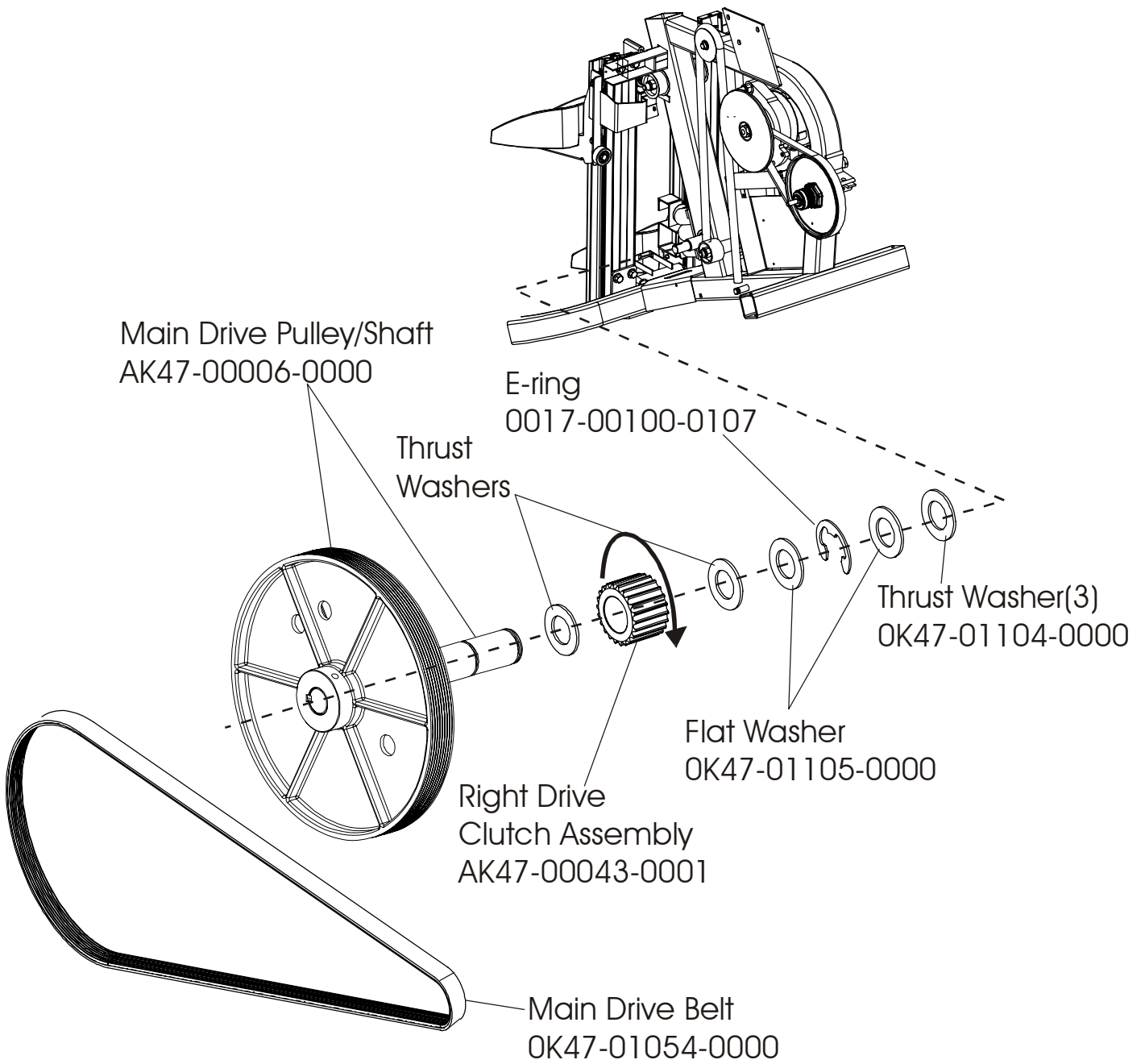
90S-XXXX-01
S/N SCA100000

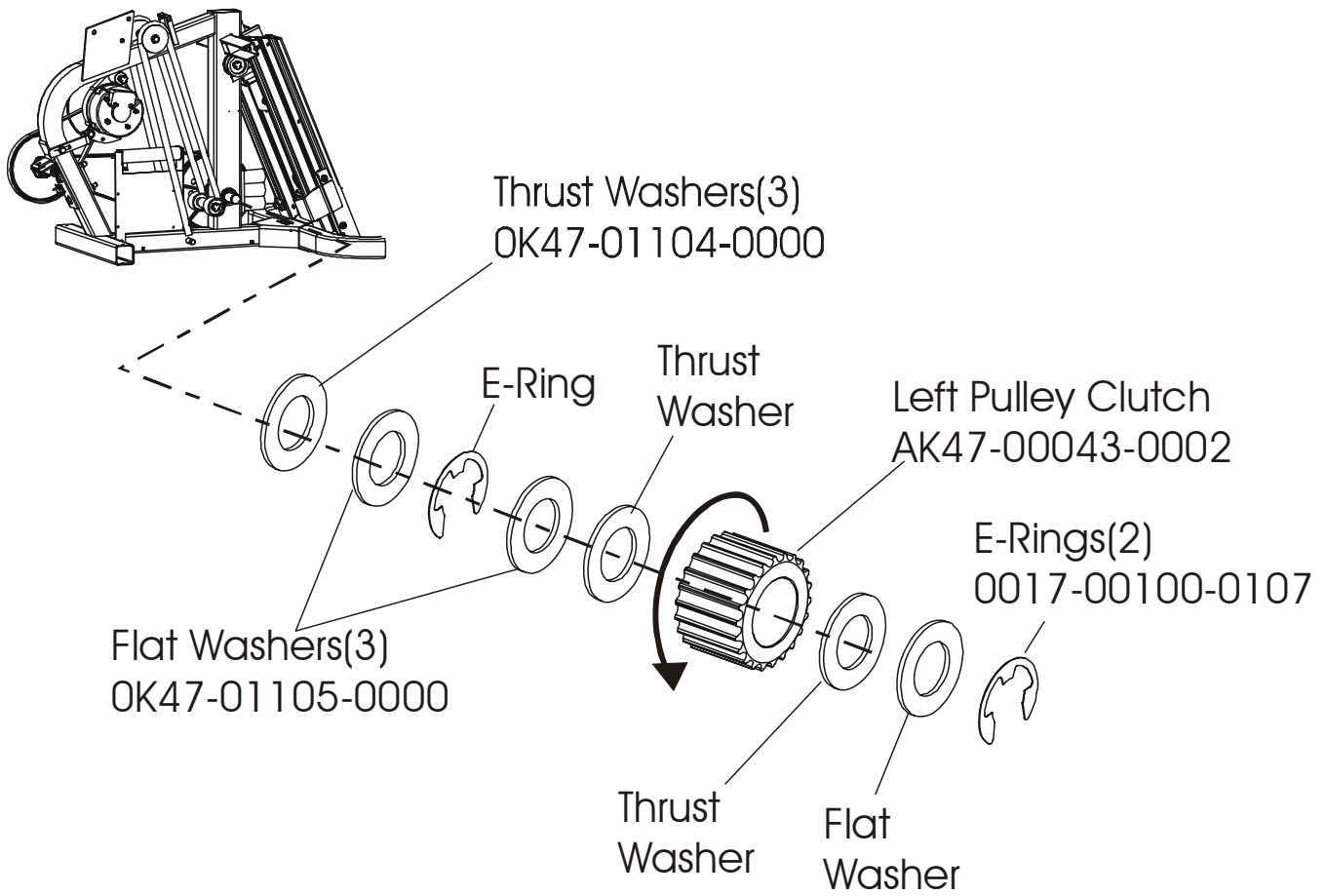


Stepper 90S Pedal Assembly

90S-XXXX-01
S/N SCA100000







Stepper 90S
Crossover Pulley Assembly

90S-XXXX-01
S/N SCA100000

