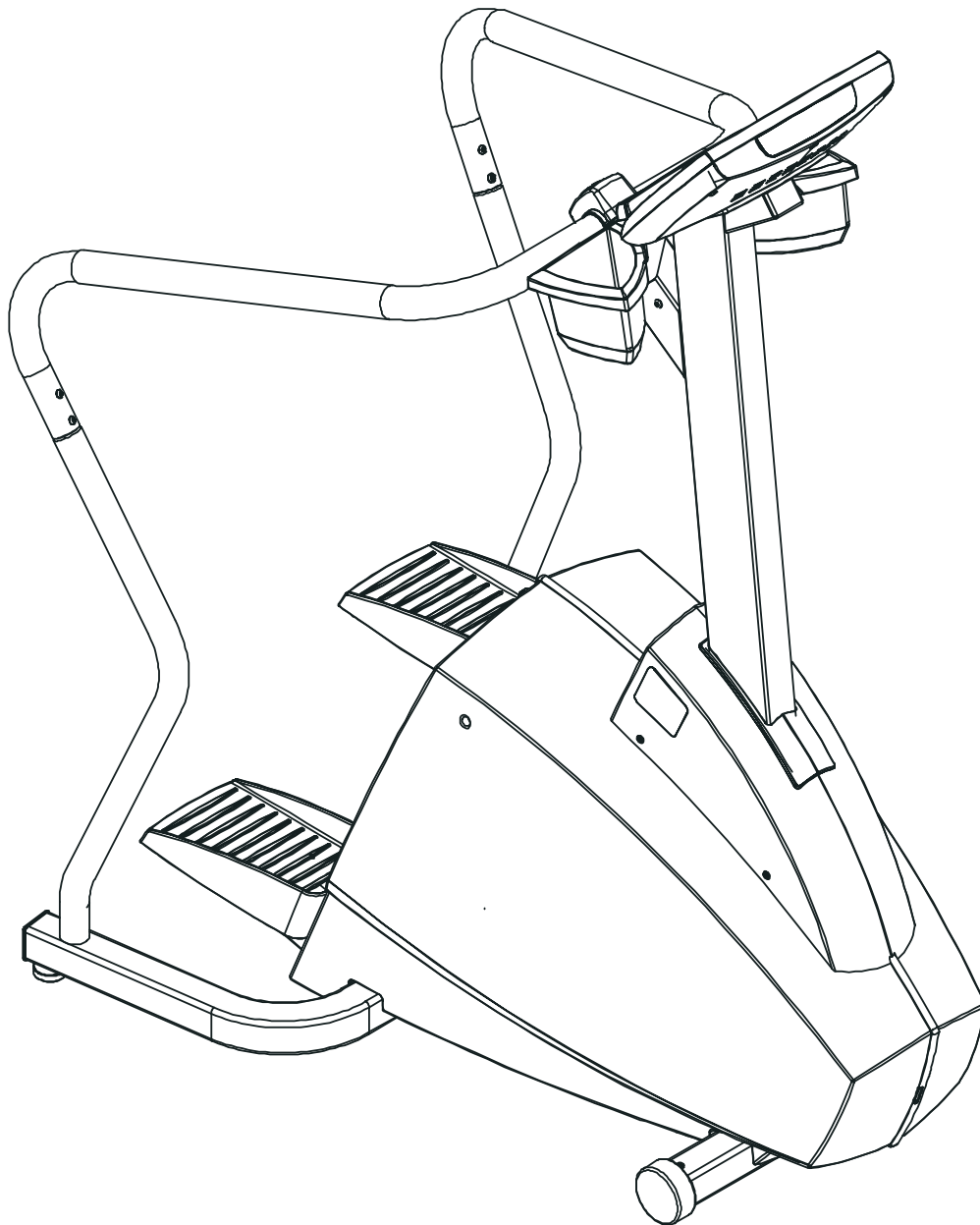


END OF LIFE

LifeFitness

ARCTIC SILVER 90S Stairclimber



Customer Support Services
PARTS MANUAL rev. 21 Mar 2007

ARCTIC SILVER 90S
REFERENCES

90S-0XXX-04
S/N 100000 and UP

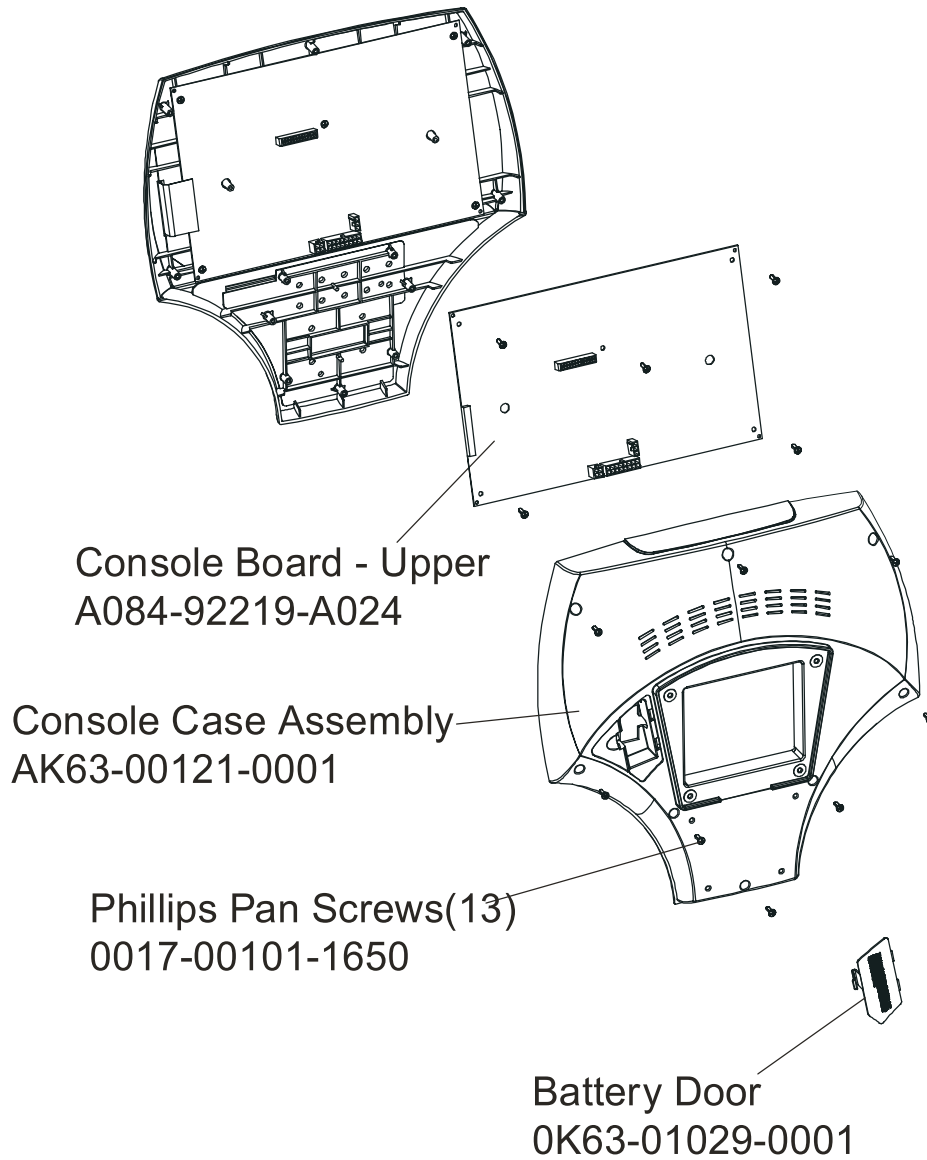
OPERATION MANUAL	M051-00K47-A108
OPTIONAL TELEMETRY KIT	GK47-00002-0003
PARTS BAG : INCLUDES HARDWARE BAG DOMESTIC – (No Polar) INTERNATIONAL – (Polar)	AK47-00164-0001 AK47-00164-0002
HARDWARE BAG	AK47-00165-0000
TOUCH UP PAINT: SPRAY CAN .5 OZ BOTTLE W/APPLICATOR .33 OZ PEN	0017-00008-0204 0017-00008-0205 0017-00008-0206
ACCESS PANEL ASSEMBLY CONSISTS OF: 120" COAX CABLE 120" POWER EXTENSION CABLE MOUNTING PLATE F-TYPE CONNECTOR	AK47-00122-0001 AK32-00020-0002 AK32-00078-0001 0K47-01197-0001 0017-00021-2846
SERVICE MANUAL	M051-00K47-A013

NOTE: When this model is ordered with an attachable LCD TV it becomes a 90SER-XXXX-04. See the Entertainment parts list marked LCD-0XXX-02 for the part numbers and descriptions for the attachable LCD TV, remote and hardware for this product.

	Page
CONSOLE AND RELATED COMPONENTS.....	4
FRAME COMPONENTS.....	5
SHROUDS AND PEDAL TUBE	6
PEDAL ASSEMBLY.....	7
CLUTCH,SHAFT/PULLEY ASSEMBLY	8
LEFT CLUTCH ASSEMBLY	9
CROSSOVER PULLEY ASSEMBLY	10
ALTERNATOR ASSEMBLY.....	11
GUIDE ROLLERS	12
POWER CONTROL BOARD & RESISTORS	13
POLAR RECEIVER CAP	14
CABLES.....	15

**The VERSION –04, 90S has contact Heart Rate only
and is pre-wired for attachable TV's.**

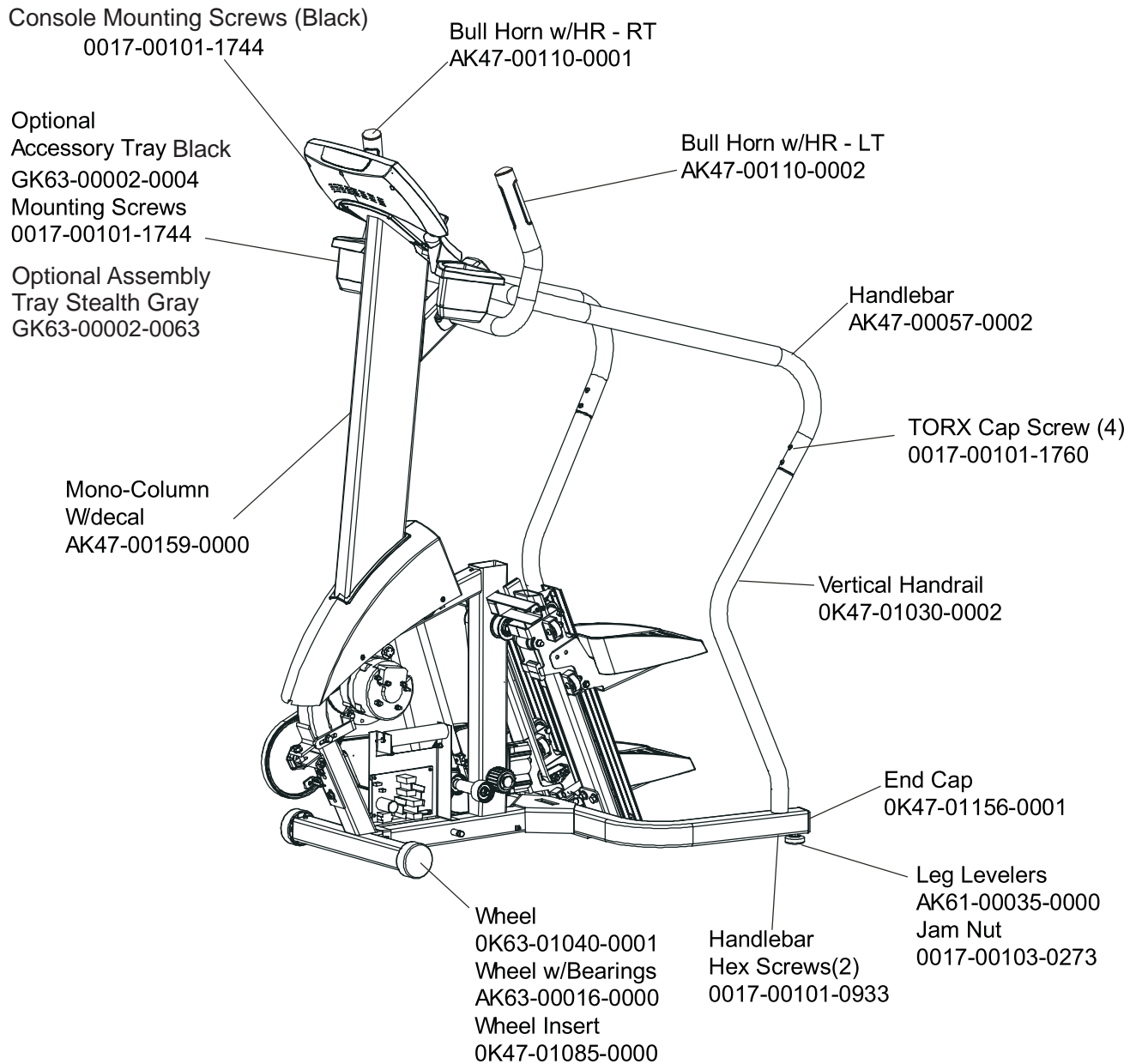
NOTE: The International models have Polar Telemetry also.



Console Assembly	Overlay/Bezel/Switch Assy.
AK47-00156-0001 Eng Met	AK47-00100-0001 Eng Met
AK47-00156-0003 Ger Met	AK47-00100-0003 Ger Met
AK47-00156-0004 Spn Met	AK47-00100-0004 Spn Met
AK47-00156-0006 Jap Met	AK47-00100-0006 Jap Met
AK47-00156-0007 Frn Met	AK47-00100-0007 Frn Met
AK47-00156-0008 Itl Met	AK47-00100-0008 Itl Met
AK47-00156-0009 Dut Met	AK47-00100-0009 Dut Met
AK47-00156-0010 Por Met	AK47-00100-0010 Por Met

ARCTIC SILVER 90S
Frame Components

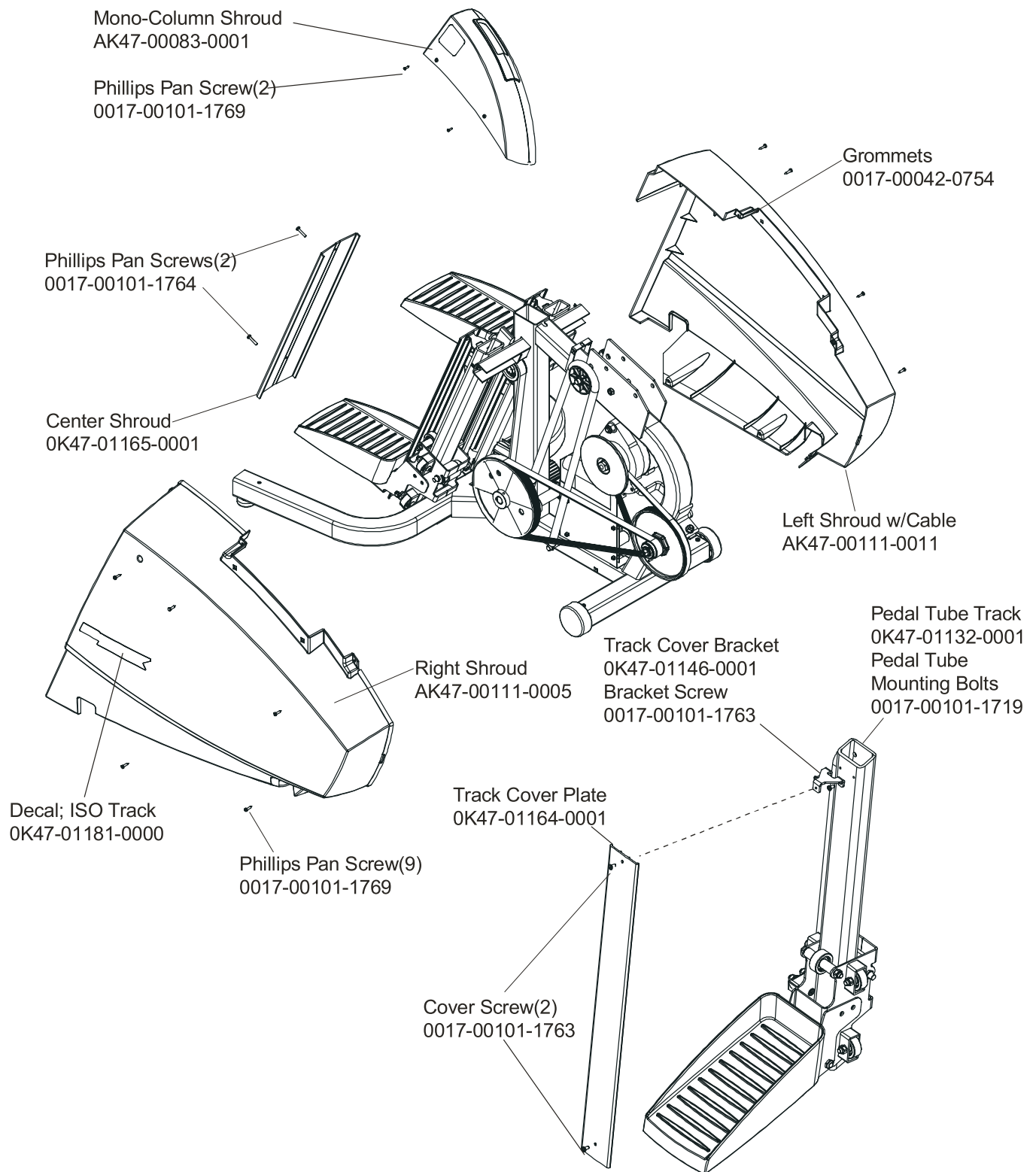
90S-0XXX-04
S/N 10000 and UP



ARCTIC SILVER 90S

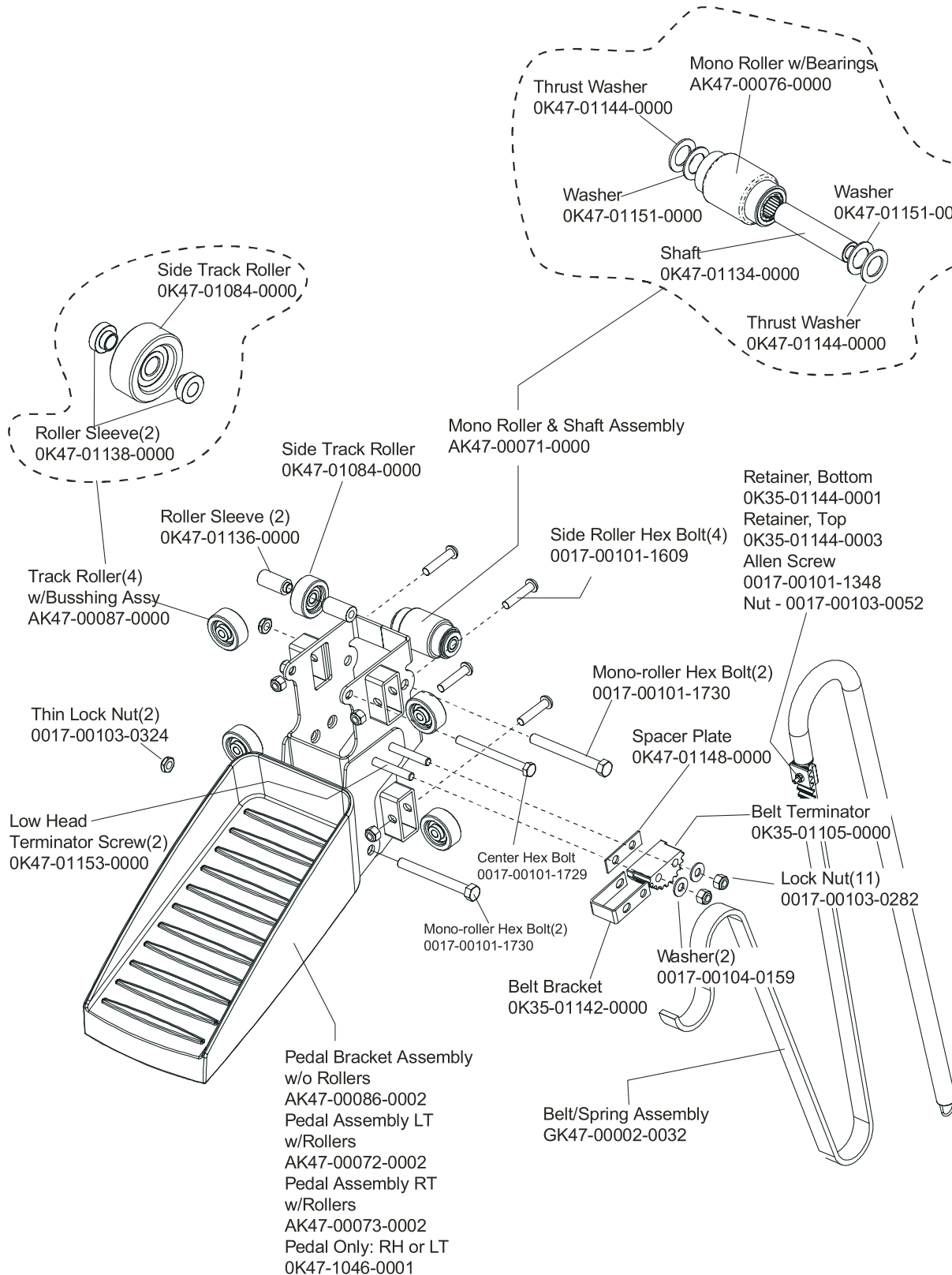
Shrouds and Pedal Tube

90S-0XXX-04
S/N 10000 and UP



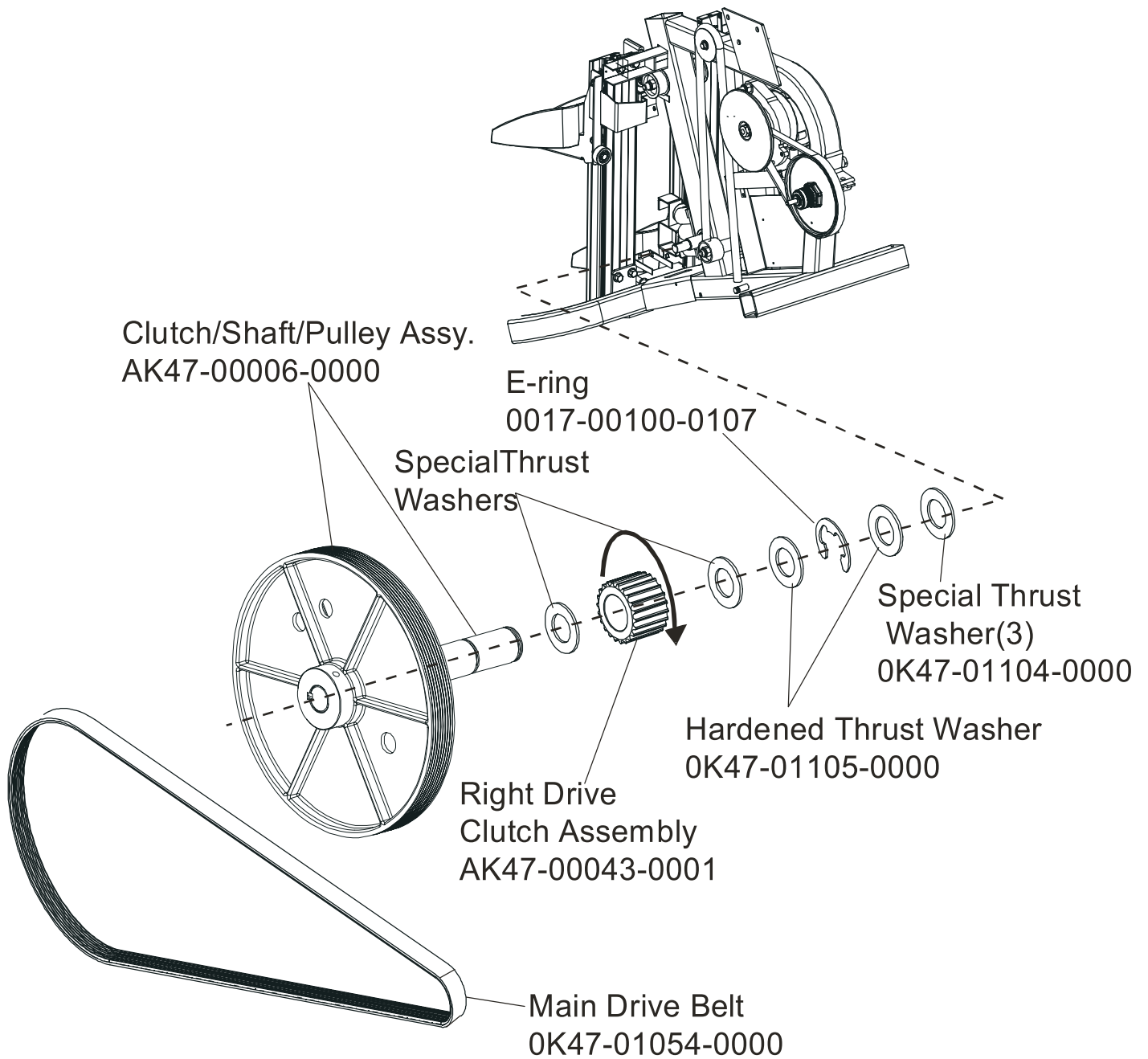
ARCTIC SILVER 90S
Pedal Assembly

90S-0XXX-04
S/N 10000 and UP



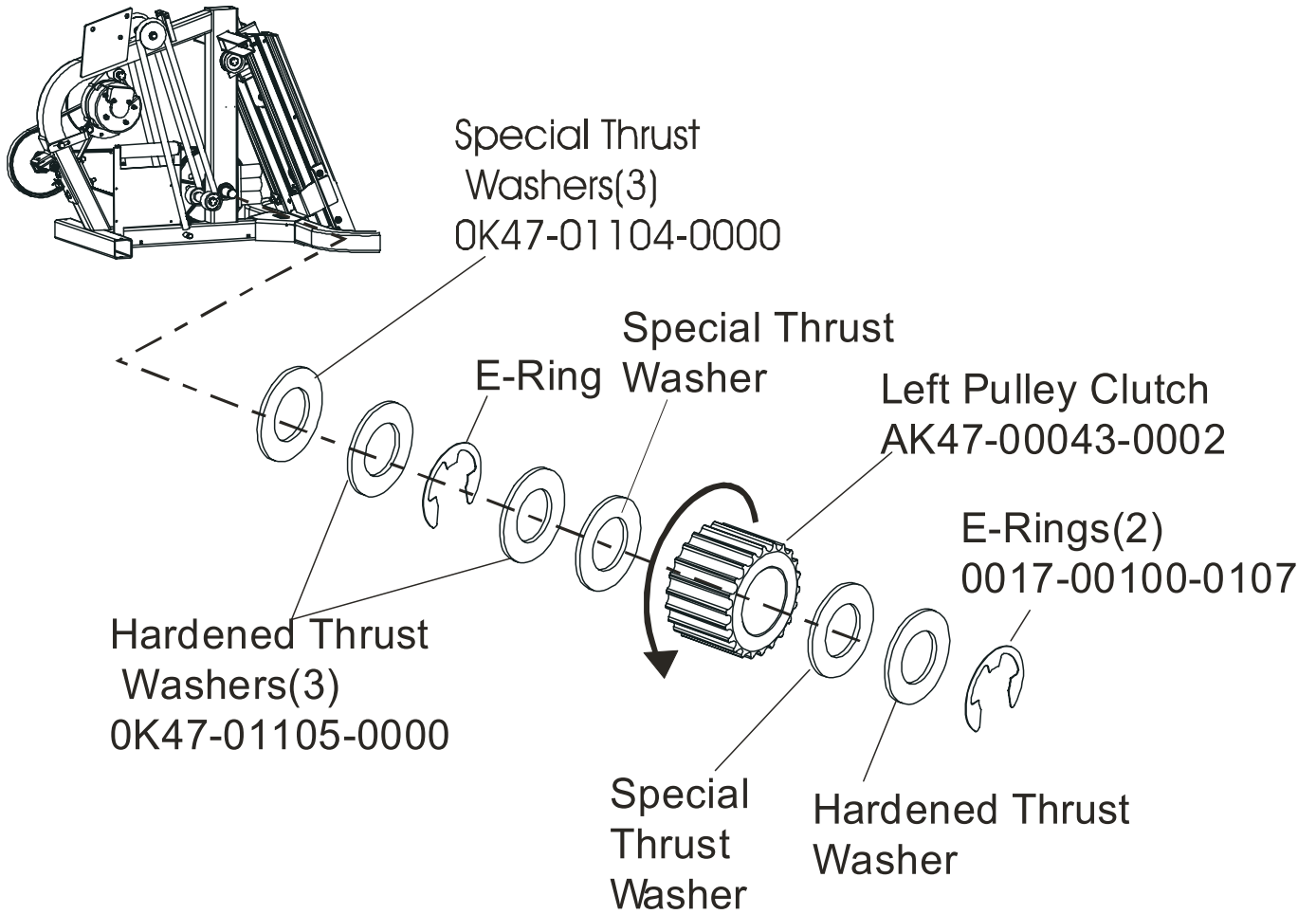
ARCTIC SILVER 90S
Clutch/Shaft/Pulley Assembly

90S-0XXX-04
S/N 10000 and UP



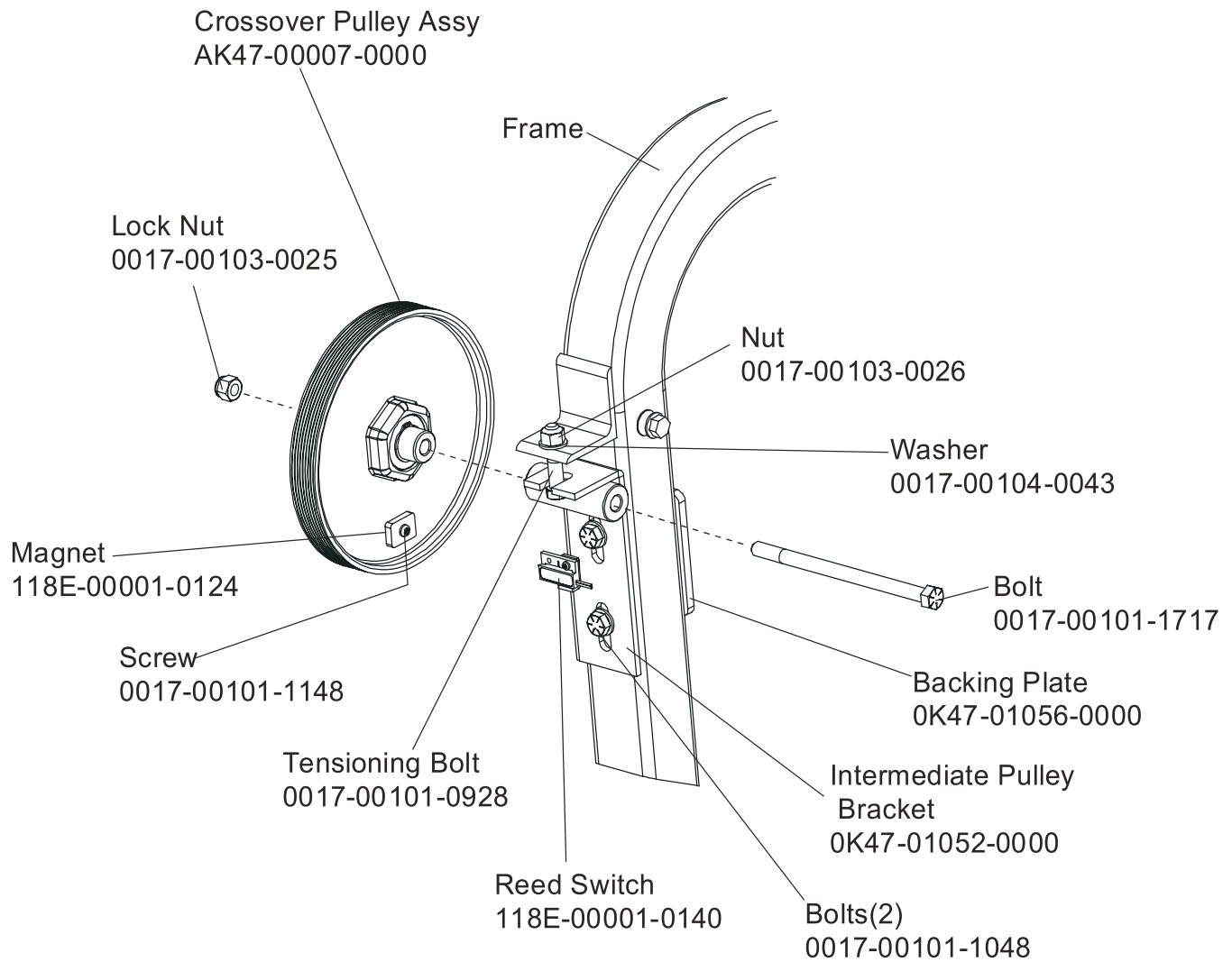
ARCTIC SILVER 90S
Left Clutch Assembly

90S-0XXX-04
S/N 10000 and UP



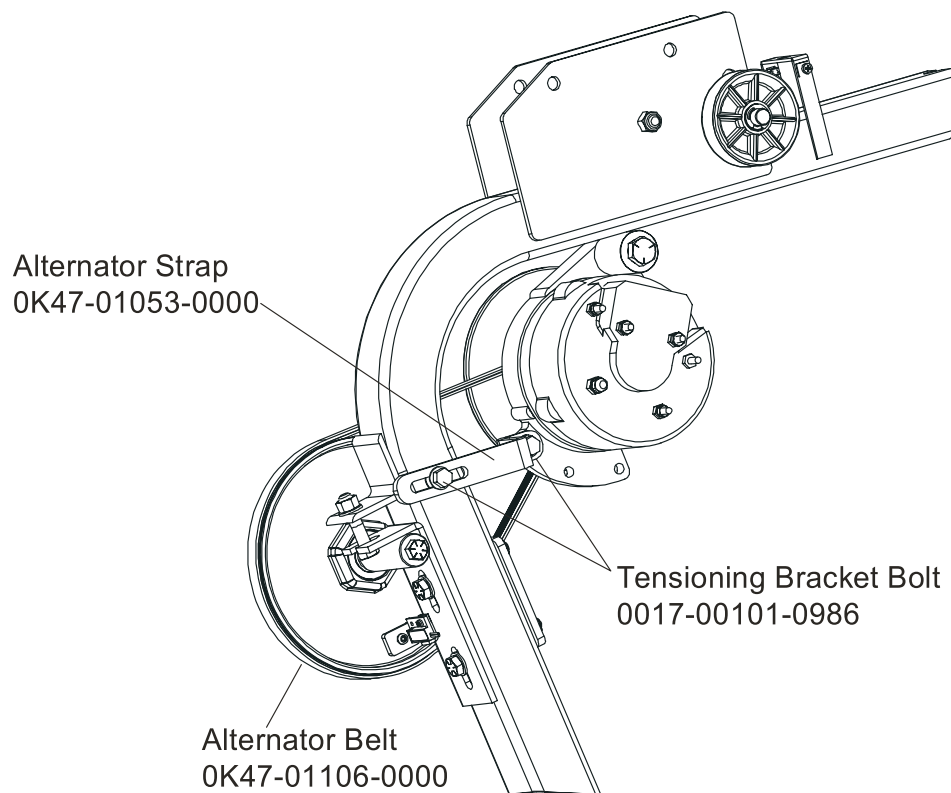
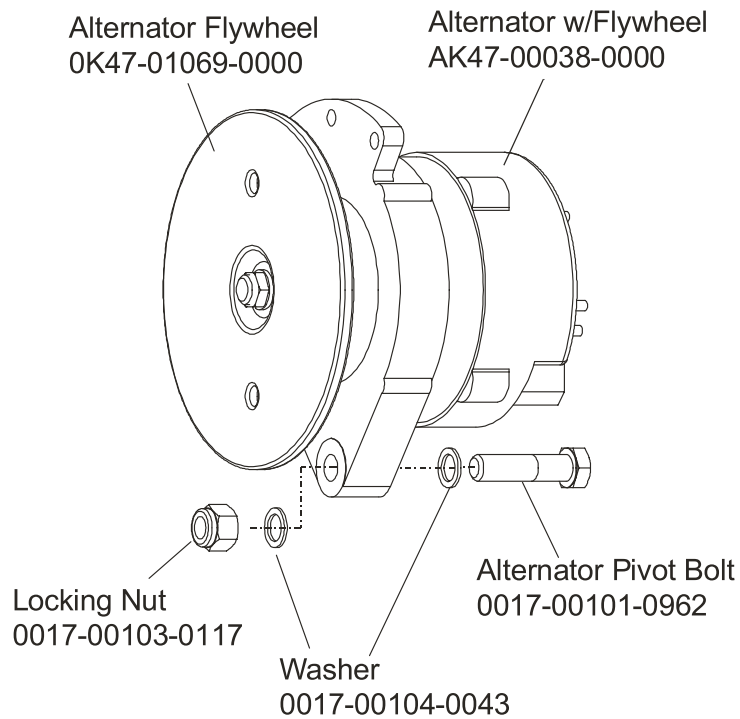
ARCTIC SILVER 90S
Crossover Pulley Assembly

90S-0XXX-04
S/N 10000 and UP



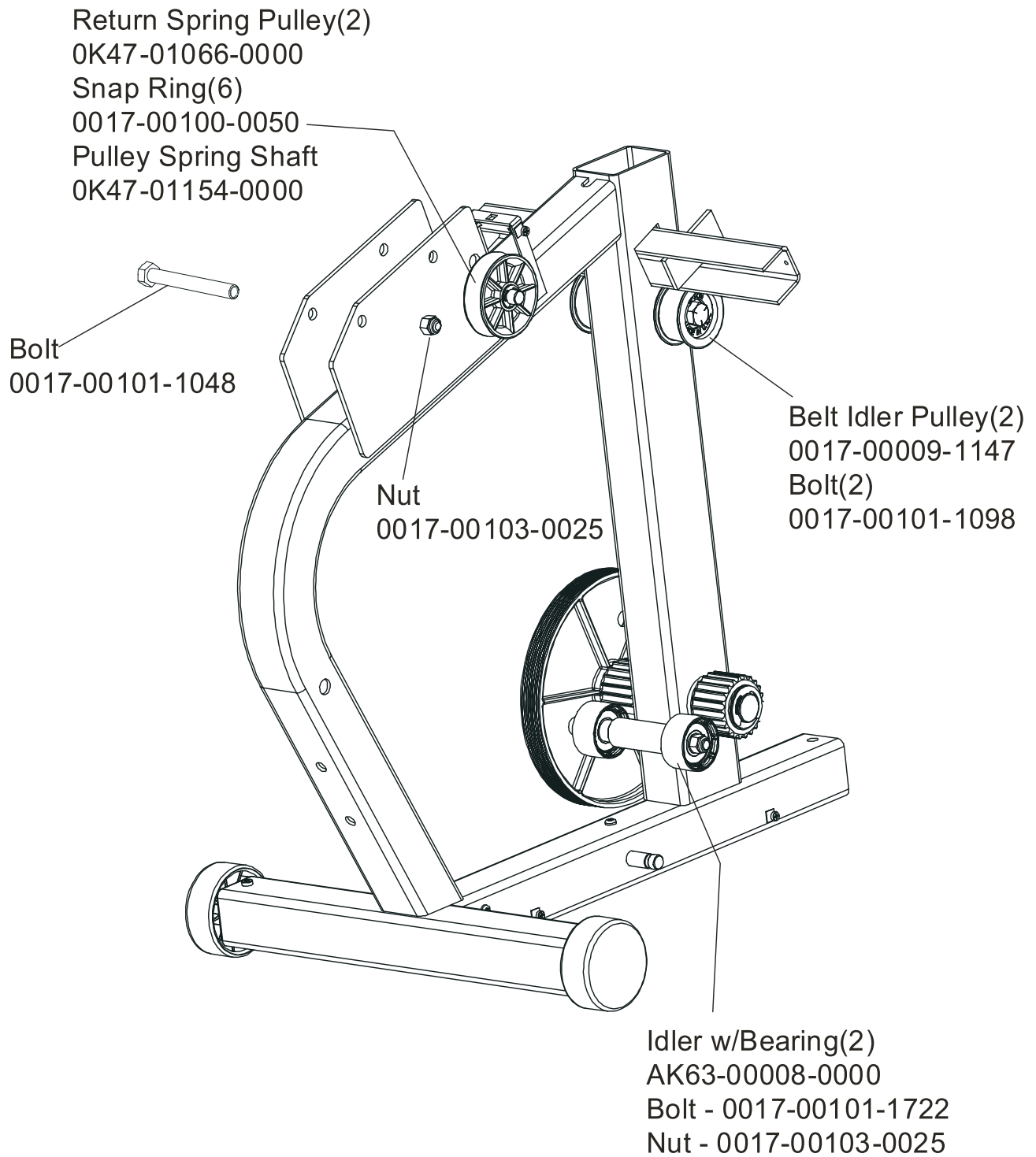
ARCTIC SILVER 90S
Alternator Assembly

90S-0XXX-04
S/N 10000 and UP



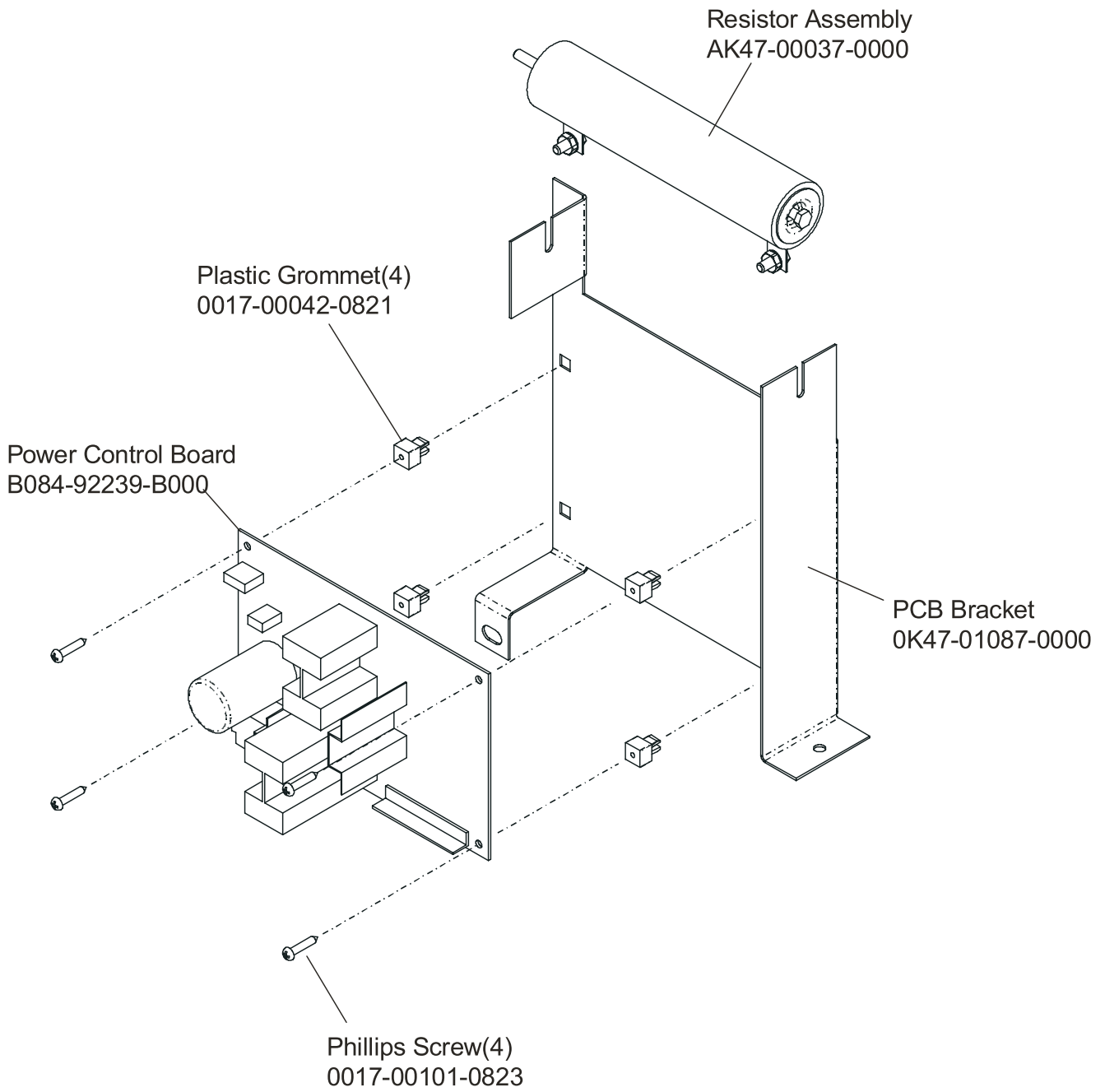
ARCTIC SILVER 90S
Guide Rollers

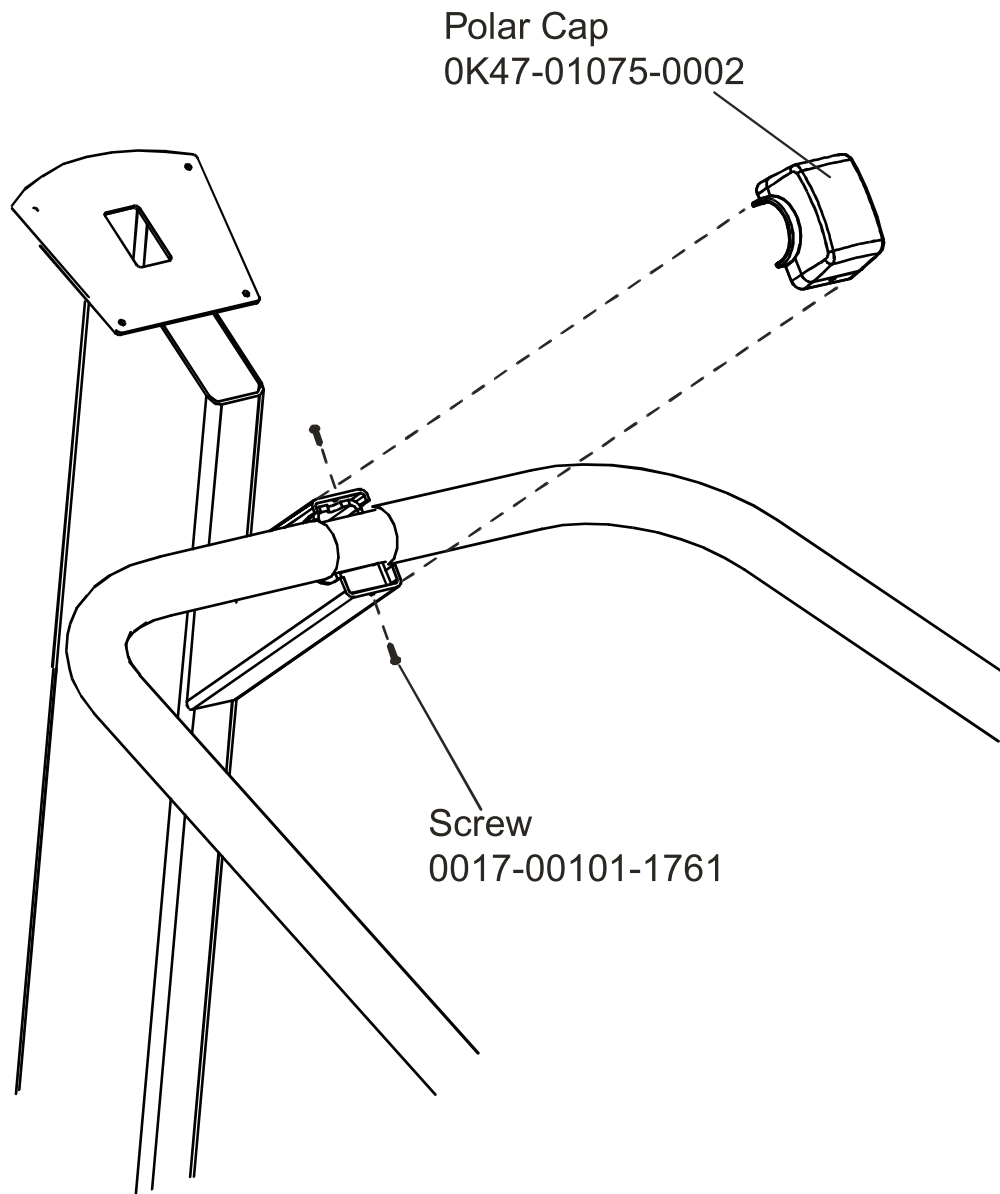
90S-0XXX-04
S/N 10000 and UP



ARCTIC SILVER 90S
Power Control Board & Resistor

90S-0XXX-04
S/N 10000 and UP





Polar Cap
0K47-01075-0002

Screw
0017-00101-1761

ARCTIC SILVER 90S

Cables

90S-0XXX-04
S/N 10000 and UP

