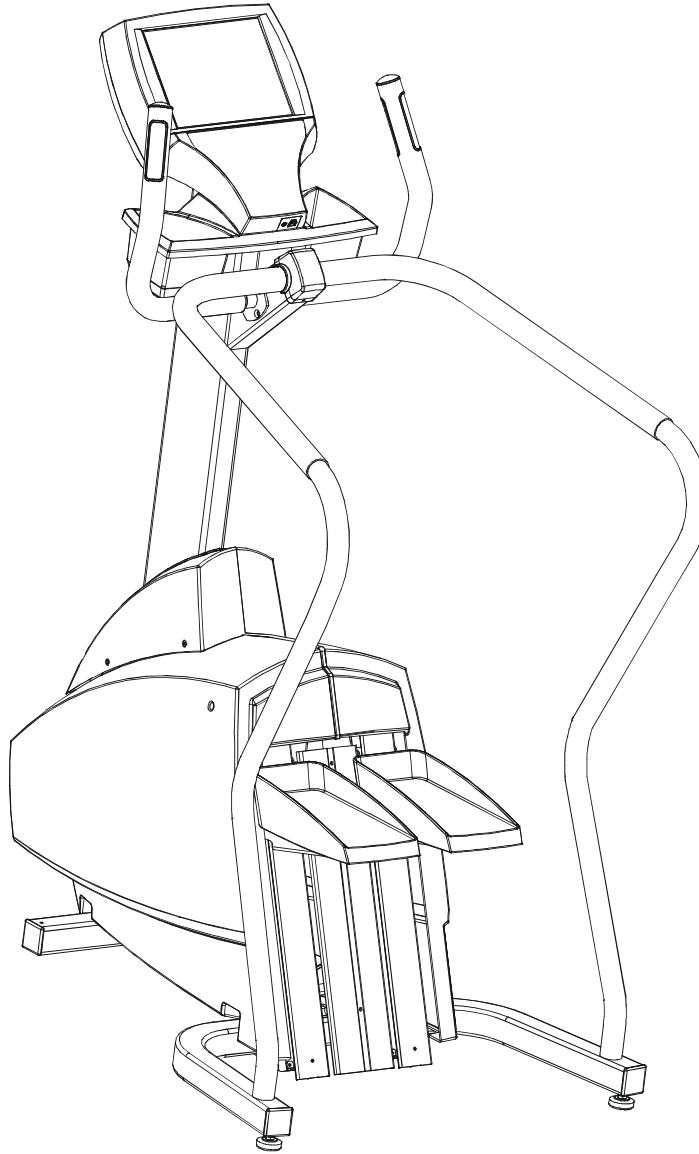


# *LifeFitness*

**ARCTIC SILVER 95Se Stairclimber**



**Customer Support Services**  
***PARTS MANUAL*** rev 19 Nov 2012

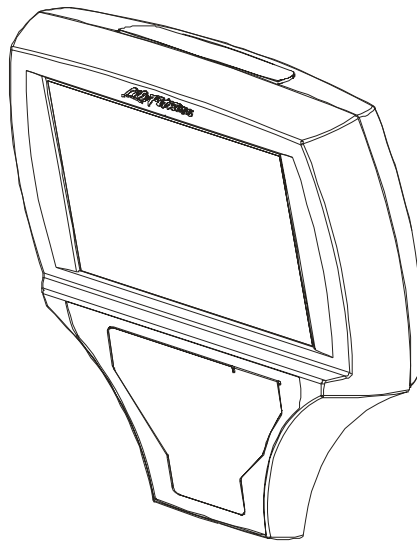
**ARCTIC SILVER 95Se**  
**REFERENCES**

**95SE-0XXX-02**  
**S/N ACG100000 and UP**

---

OPERATION MANUAL	M051-00K47-A047
PARTS BAG	AK47-00123-0001
HARDWARE BAG	AK47-00106-0000
POWER SUPPLY 12V, 4.5A Without Line Cord	118E-00001-0161
LINE CORD, DOM. 10A 125V	0017-00003-0704
LINE CORD, CON. 10A 250V	0017-00003-0691
LINE CORD, 10A U.K.	0017-00003-0889
LINE CORD, AUSTRALIA	0017-00003-0918
TOUCH-UP PAINT: SPRAY CAN .5 OZ. BOTTLE .33 OZ. PEN	0017-00008-0204 0017-00008-0205 0017-00008-0206
SERVICE MANUAL	M051-00K47-A013

	Page
CONSOLE ASSEMBLY .....	4
CONSOLE COMPONENTS.....	5
FRAME COMPONENTS.....	6
SHROUDS AND PEDAL TUBE .....	7
PEDAL ASSEMBLY.....	8
CLUTCH/SHAFT/PULLEY ASSEMBLY .....	9
LEFT CLUTCH ASSEMBLY .....	10
CROSSOVER PULLEY ASSEMBLY .....	11
ALTERNATOR ASSEMBLY.....	12
GUIDE ROLLERS .....	13
POWER CONTROL BOARD & RESISTORS .....	14
POLAR CAP & HR ELECTRODES .....	15
CABLES.....	16

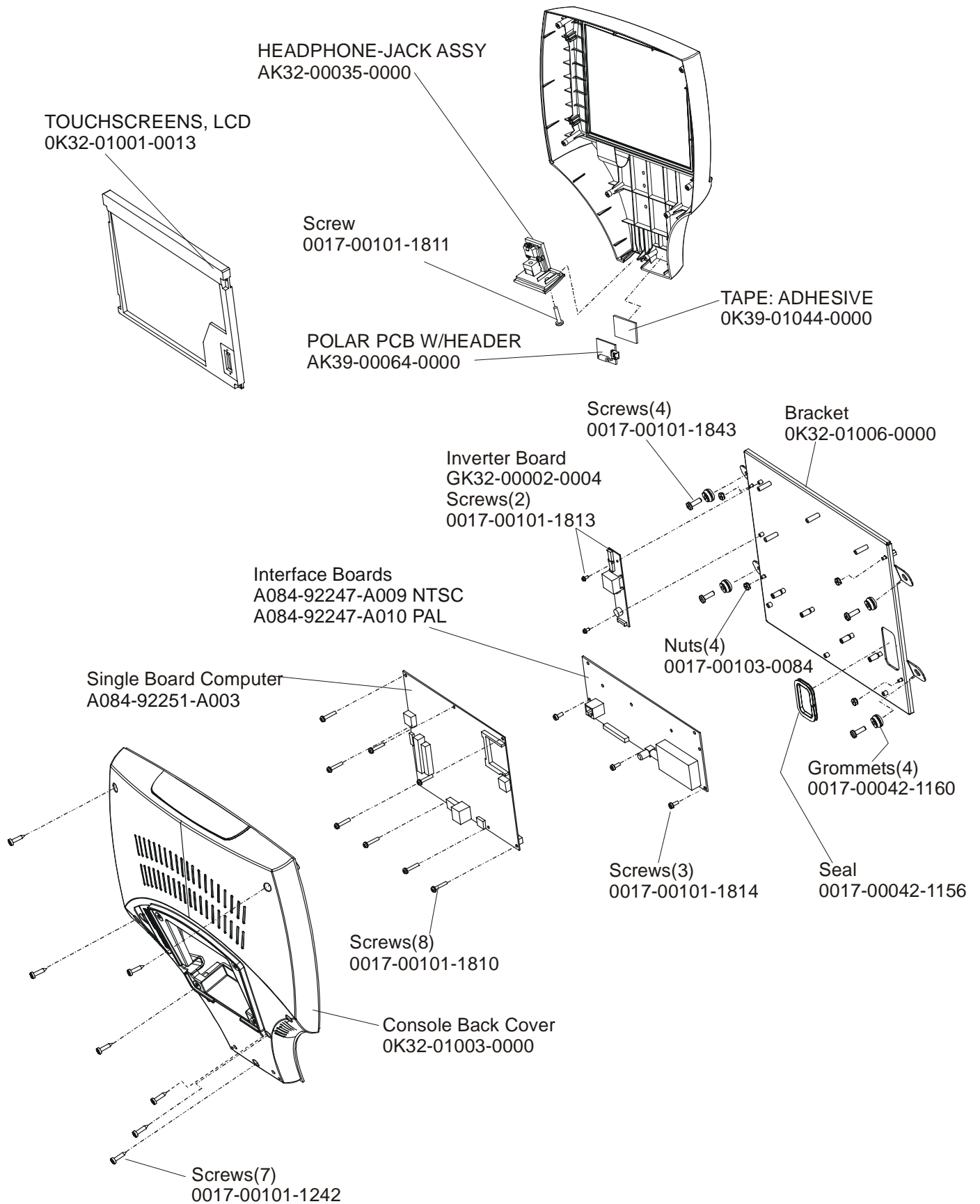


<b>CONSOLE ASSEMBLY</b>	
<b>Part Number</b>	<b>Description</b>
GK47-00002-0020	CONS-ASSY: NTSC;ENG
GK47-00002-0021	CONS-ASSY: NTSC;SPN
GK47-00002-0022	CONS-ASSY: NTSC;JAP
GK47-00002-0023	CONS-ASSY: NTSC;FRN
GK47-00002-0024	CONS-ASSY: NTSC;POR
GK47-00002-0025	CONS-ASSY: PAL;ENG
GK47-00002-0026	CONS-ASSY: PAL;GER
GK47-00002-0027	CONS-ASSY: PAL;SPN
GK47-00002-0028	CONS-ASSY: PAL;FRN
GK47-00002-0029	CONS-ASSY: PAL;ITL
GK47-00002-0030	CONS-ASSY: PAL;DUT
GK47-00002-0031	CONS-ASSY: PAL;POR

<b>OVERLAY BEZEL ASSEMBLY</b>	
<b>Part Number</b>	<b>Description</b>
AK63-00247-0001	BZL/SW W/OVERLAY ASSY: MFG; ENG
AK63-00247-0003	BZL/SW W/OVERLAY ASSY: MFG; GER
AK63-00247-0004	BZL/SW W/OVERLAY ASSY: MFG; SPN
AK63-00247-0006	BZL/SW W/OVERLAY ASSY: MFG; JAP
AK63-00247-0007	BZL/SW W/OVERLAY ASSY: MFG; FRN
AK63-00247-0008	BZL/SW W/OVERLAY ASSY: MFG; ITL
AK63-00247-0009	BZL/SW W/OVERLAY ASSY: MFG; DUT
AK63-00247-0010	BZL/SW W/OVERLAY ASSY: MFG; POR
AK47-00145-0001	BZL/SW OVERLAY ASSY: ENG/PAL
AK47-00145-0003	BZL/SW OVERLAY ASSY: GER/PAL
AK47-00145-0001	BZL/SW OVERLAY ASSY: SPN/PAL
AK47-00145-0007	BZL/SW OVERLAY ASSY: FRN/PAL
AK47-00145-0008	BZL/SW OVERLAY ASSY: ITL/PAL
AK47-00145-0009	BZL/SW OVERLAY ASSY: DUT/PAL
AK47-00145-0010	BZL/SW OVERLAY ASSY: POR/PAL

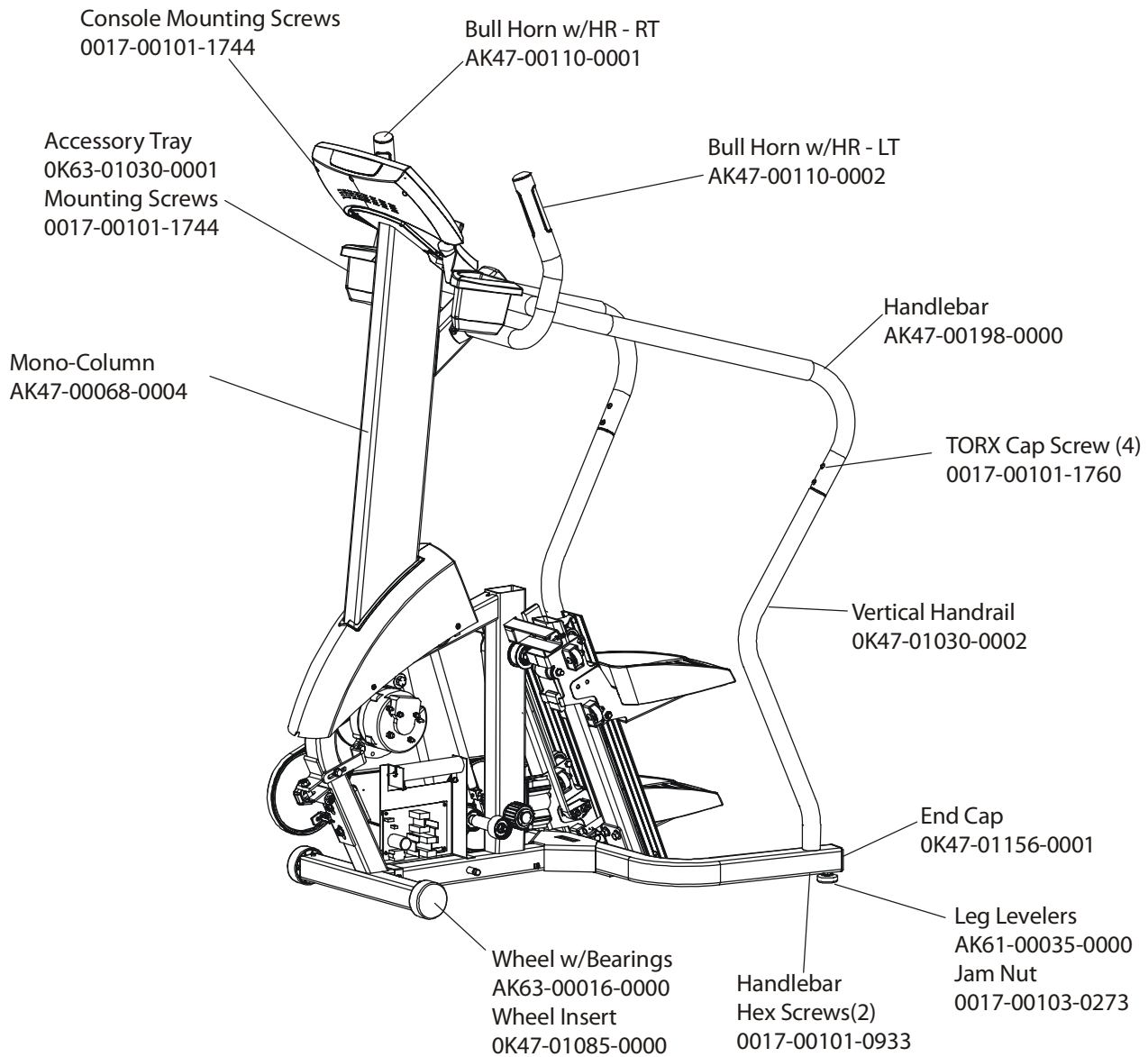
**ARCTIC SILVER 95Se**  
**Console Components**

**95SE-0XXX-02**  
**S/N ACG10000 and UP**



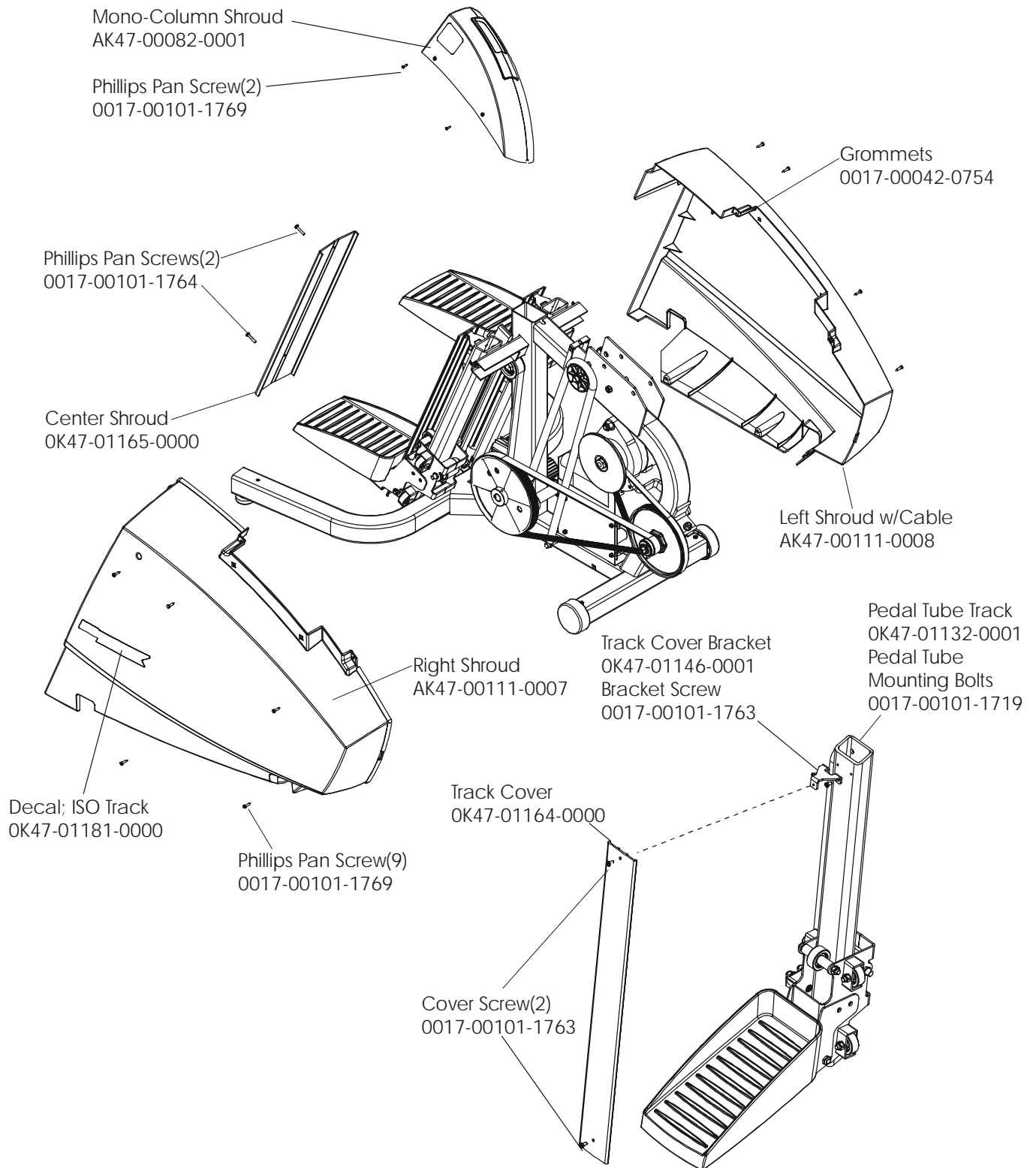
**ARCTIC SILVER 95Se**  
**Frame Components**

**95SE-0XXX-02**  
**S/N ACG100000 and UP**



**ARCTIC SILVER 95Se**  
**Shrouds and Pedal Tube**

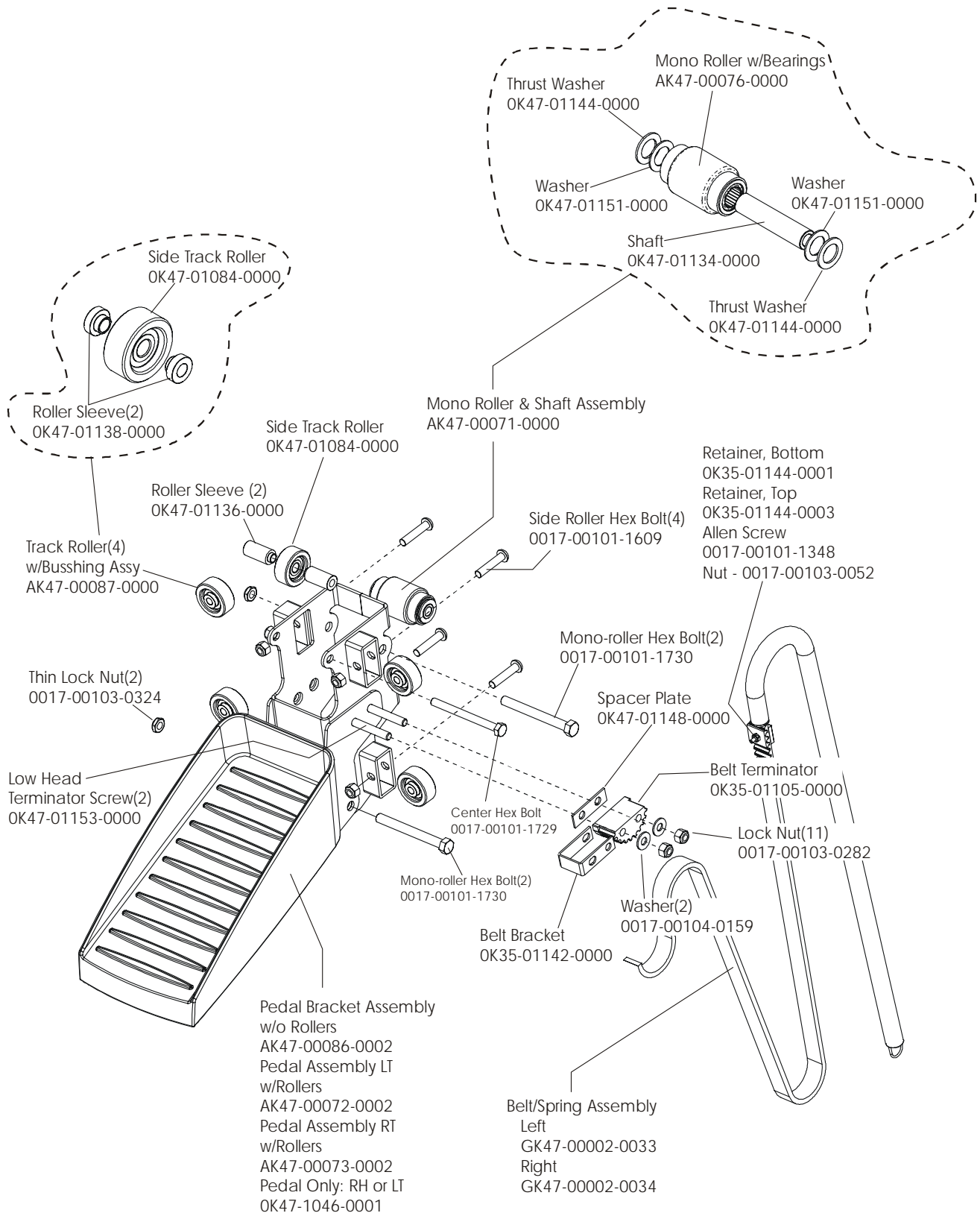
**95SE-0XXX-02**  
**S/N ACG100000 and UP**



# ARCTIC SILVER 95Se

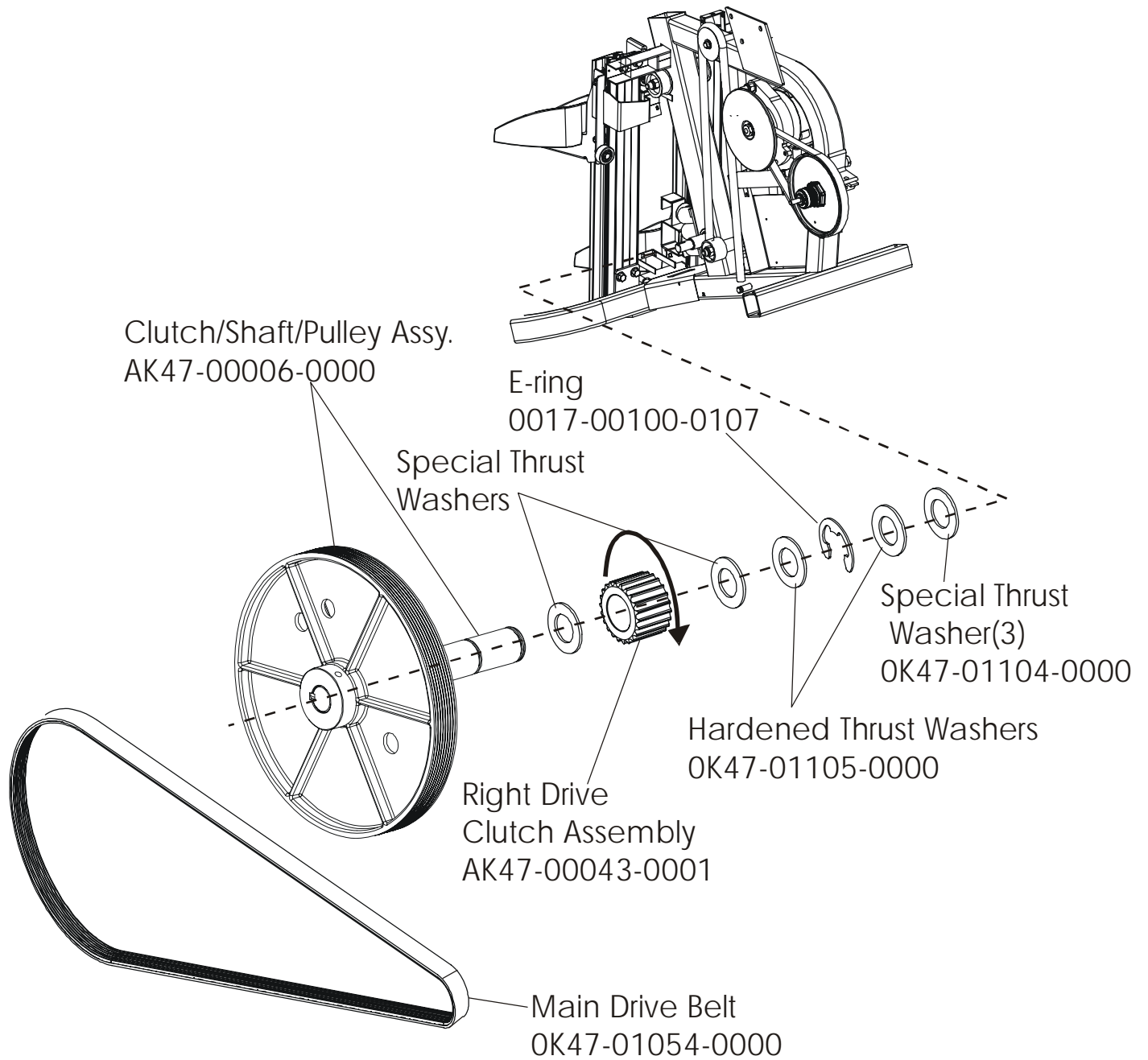
## Pedal Assembly

95SE-0XXX-02  
S/N ACG100000 and UP



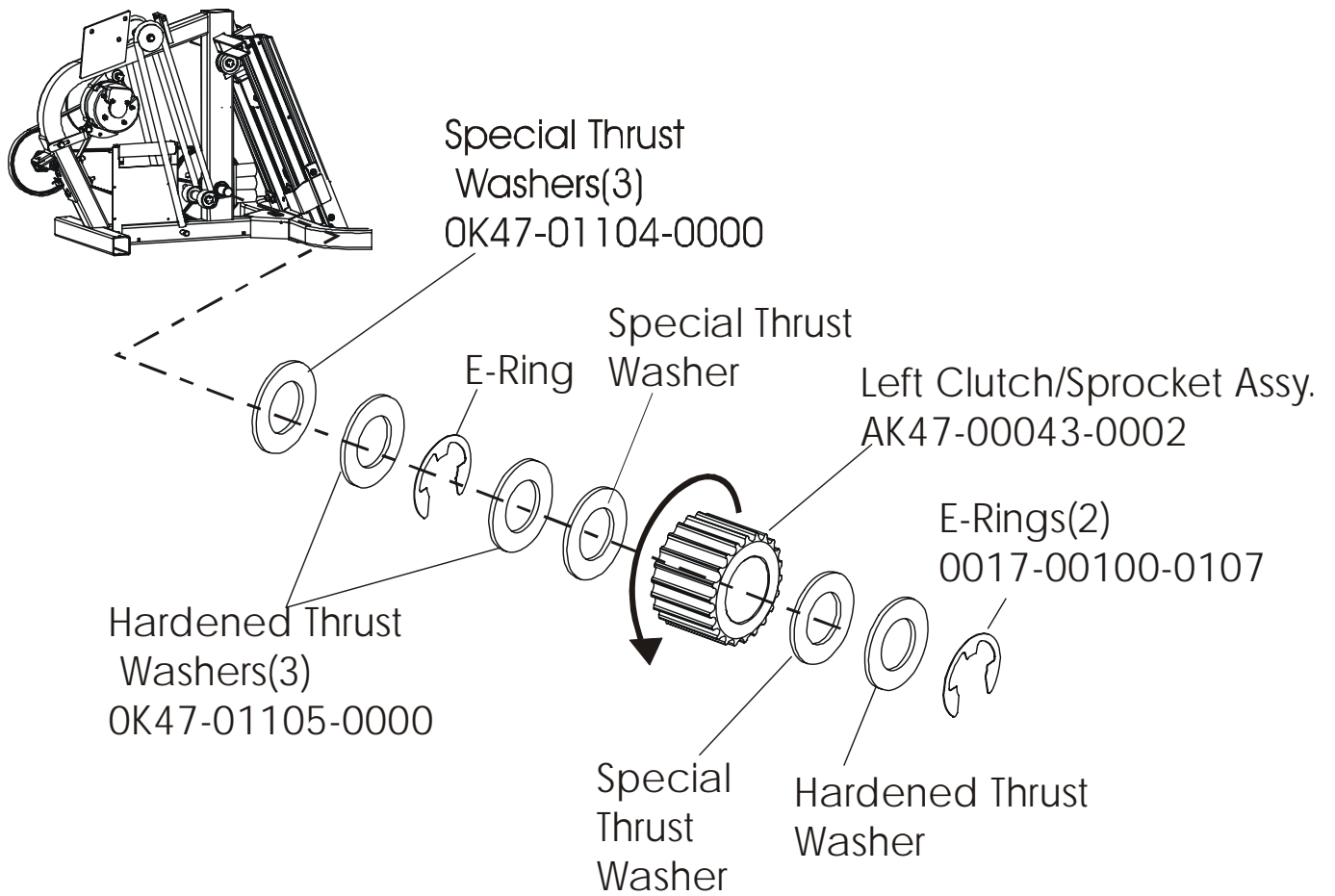
**ARCTIC SILVER 95Se**  
**Clutch/Shaft/Pulley Assembly**

**95SE-0XXX-02**  
**S/N ACG100000 and UP**



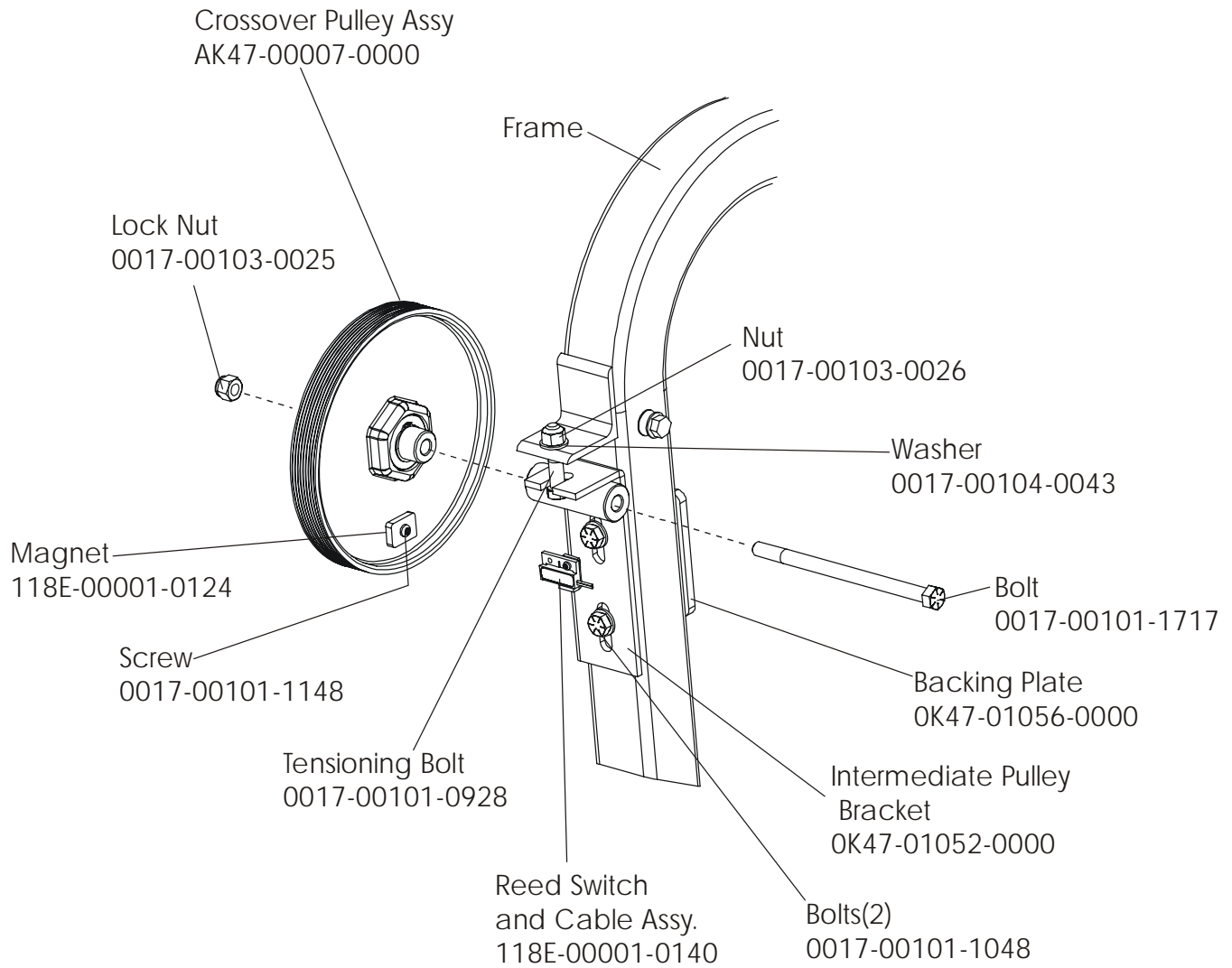
**ARCTIC SILVER 95Se**  
**Left Clutch Assembly**

**95SE-0XXX-02**  
**S/N ACG100000 and UP**



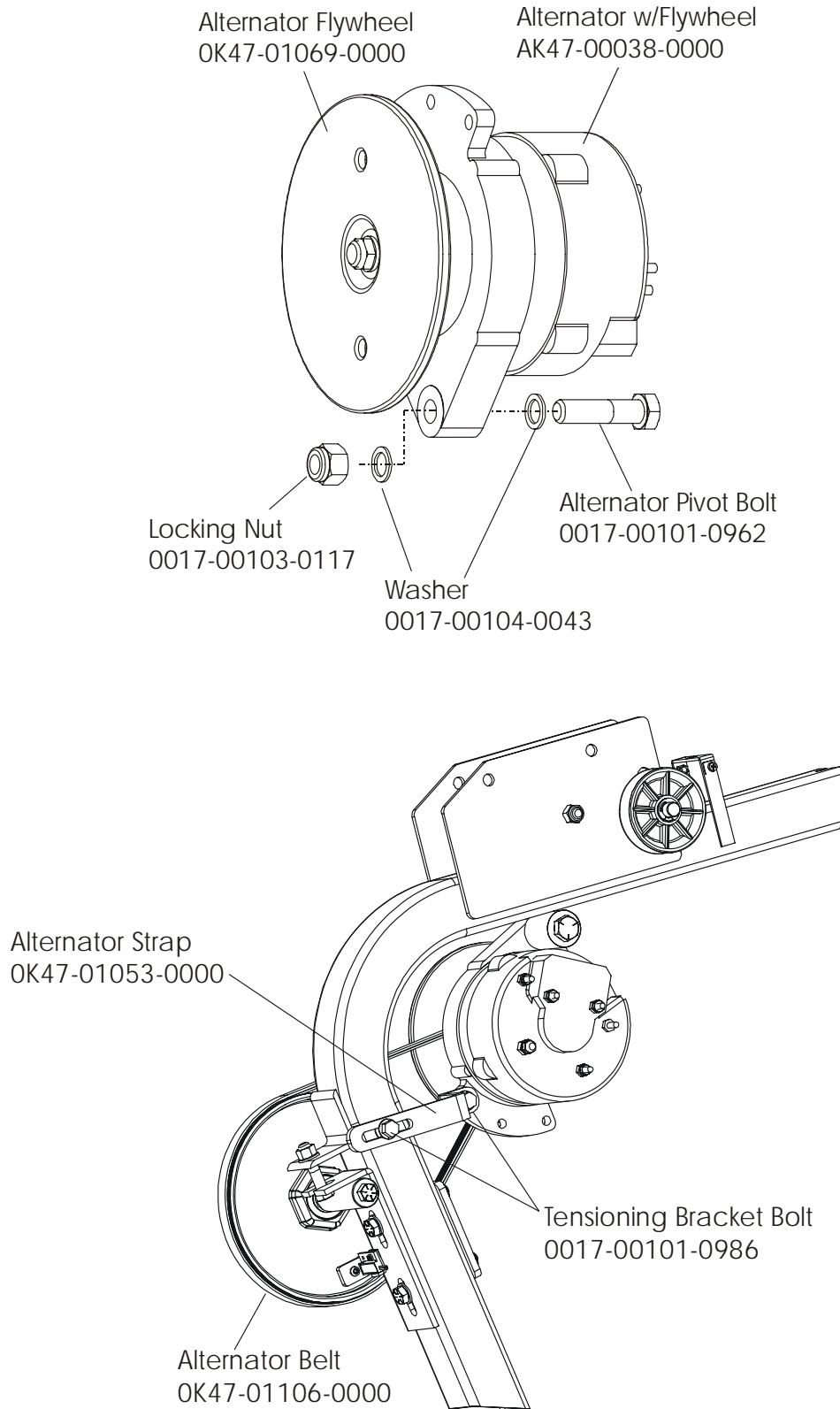
**ARCTIC SILVER 95Se**  
**Crossover Pulley Assembly**

**95SE-0XXX-02**  
**S/N ACG100000 and UP**



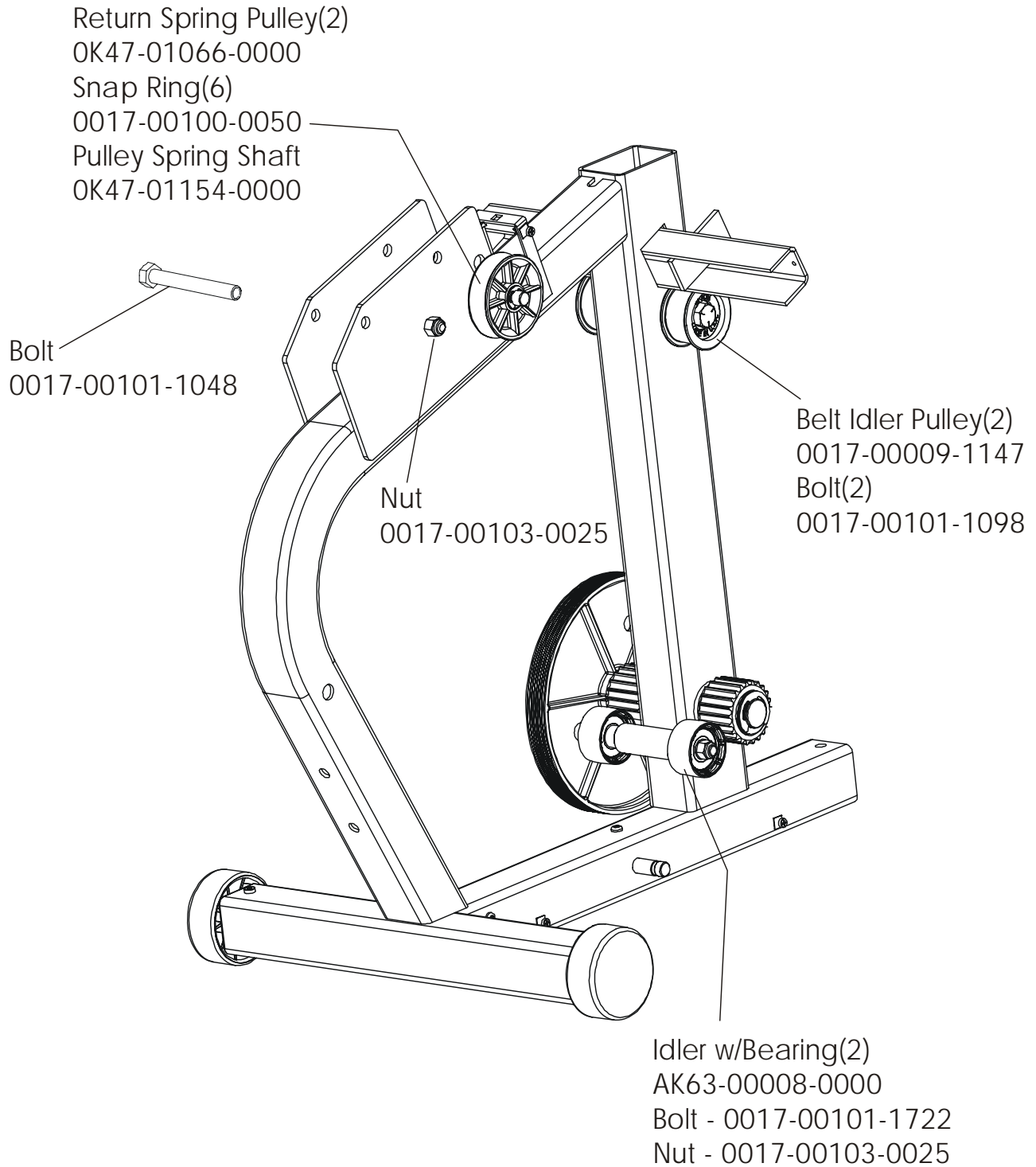
**ARCTIC SILVER 95Se**  
**Alternator Assembly**

**95SE-0XXX-02**  
**S/N ACG100000 and UP**



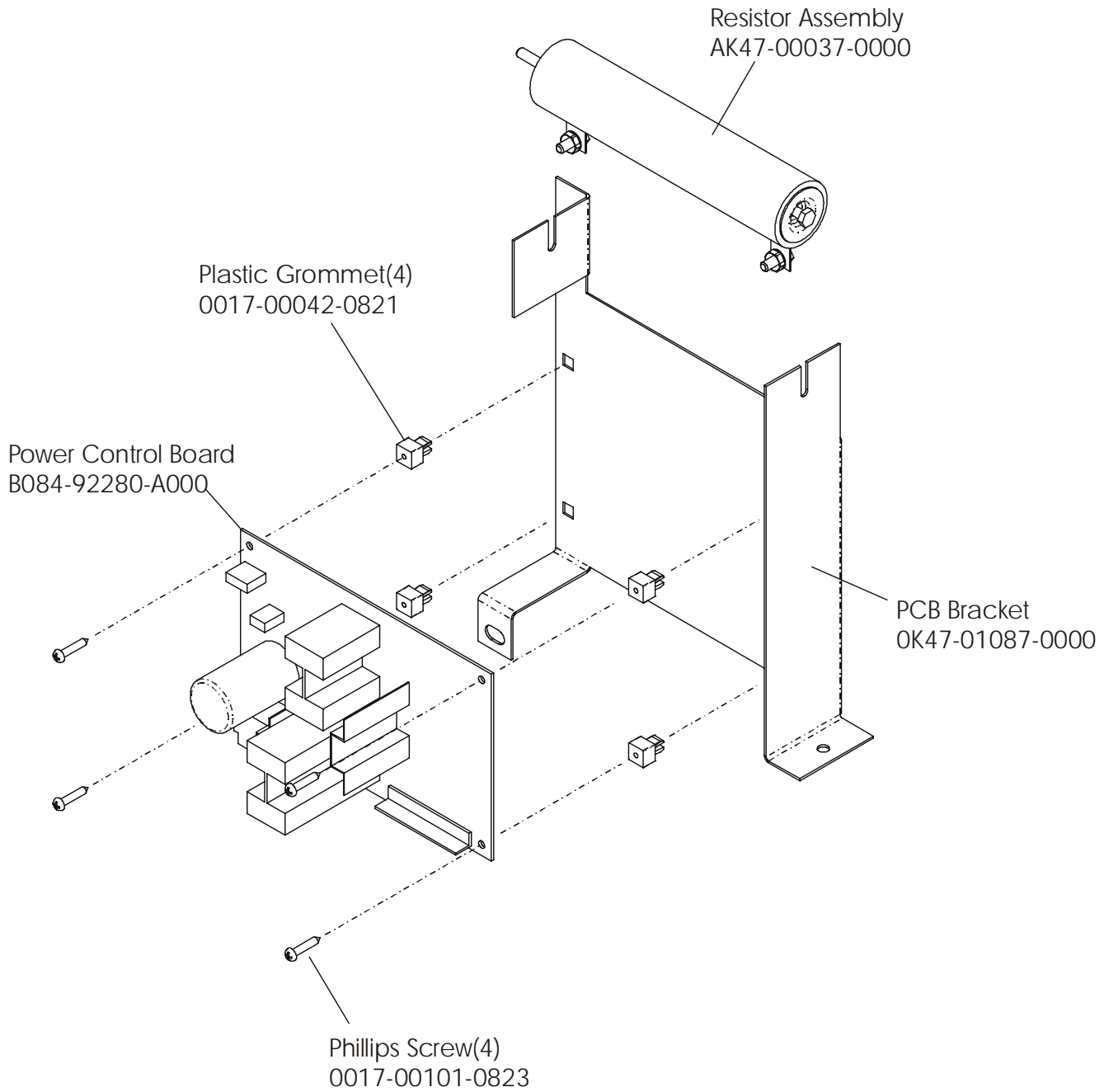
**ARCTIC SILVER 95Se**  
**Guide Rollers**

**95SE-0XXX-02**  
**S/N ACG100000 and UP**



**ARCTIC SILVER 95Se**  
**Power Control Board & Resistor**

**95SE-0XXX-02**  
**S/N ACG10000 and UP**



**ARCTIC SILVER 95Se**  
**Polar Cap & HR Electrodes**

**95SE-0XXX-02**  
**S/N ACG100000 and UP**

