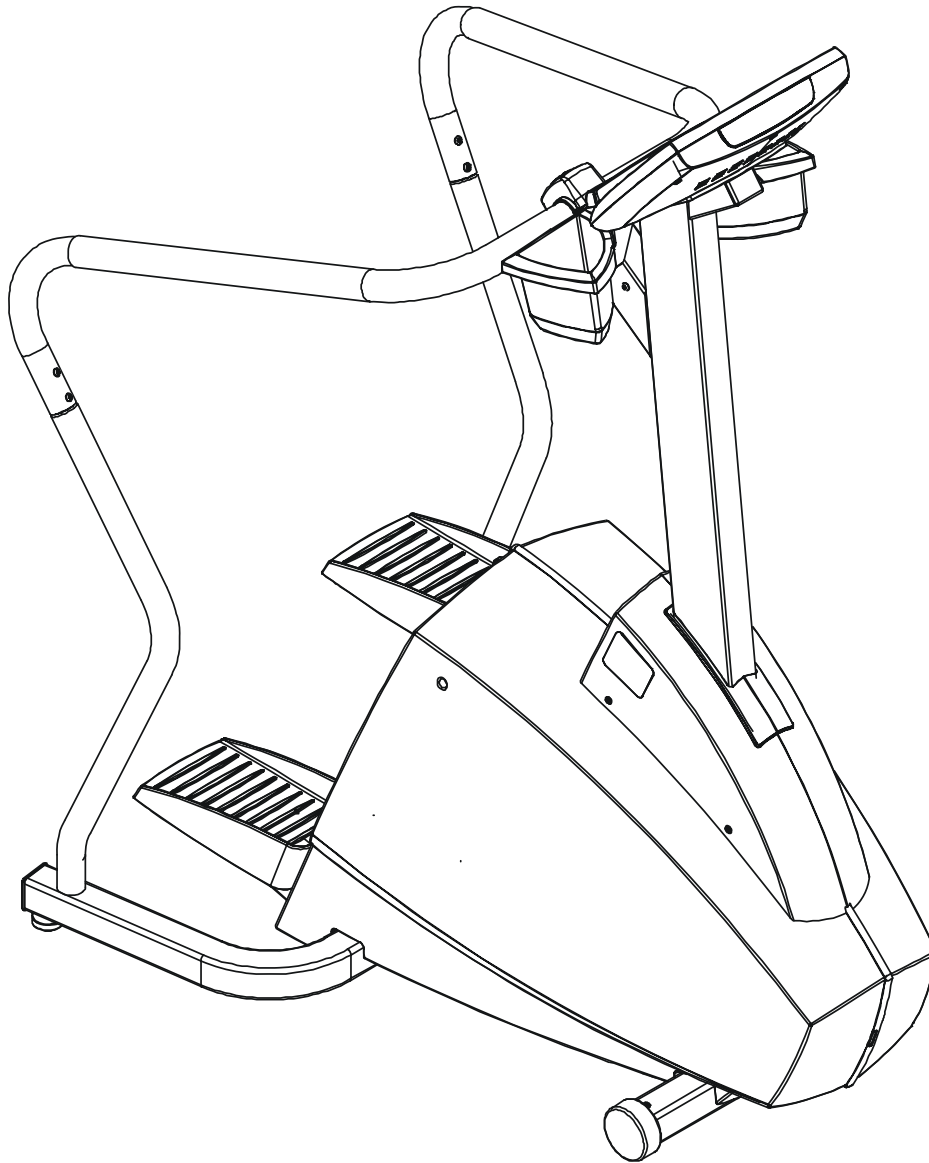


# *LifeFitness*

**ARCTIC SILVER 95SW Stairclimber**



**Customer Support Services**  
***PARTS MANUAL*** revised 19 Nov 2012

OPERATION MANUAL	M051-00K47-A025
HARDWARE BAG	AK47-00106-0000
TOUCH UP PAINT: SPRAY CAN .5 OZ BOTTLE W/APPLICATOR .33 OZ PEN	0017-00008-0204 0017-00008-0205 0017-00008-0206
ACCESS PANEL ASSEMBLY CONSISTS OF: 1) COAX CABLE 2) POWER EXT. CABLE 3) MOUNTING PLATE 4) F TYPE CONNECTOR	AK32-00020-0002 AK32-00078-0001 0K47-01197-0001 0017-00021-2846
SERVICE MANUAL	M051-00K47-A013

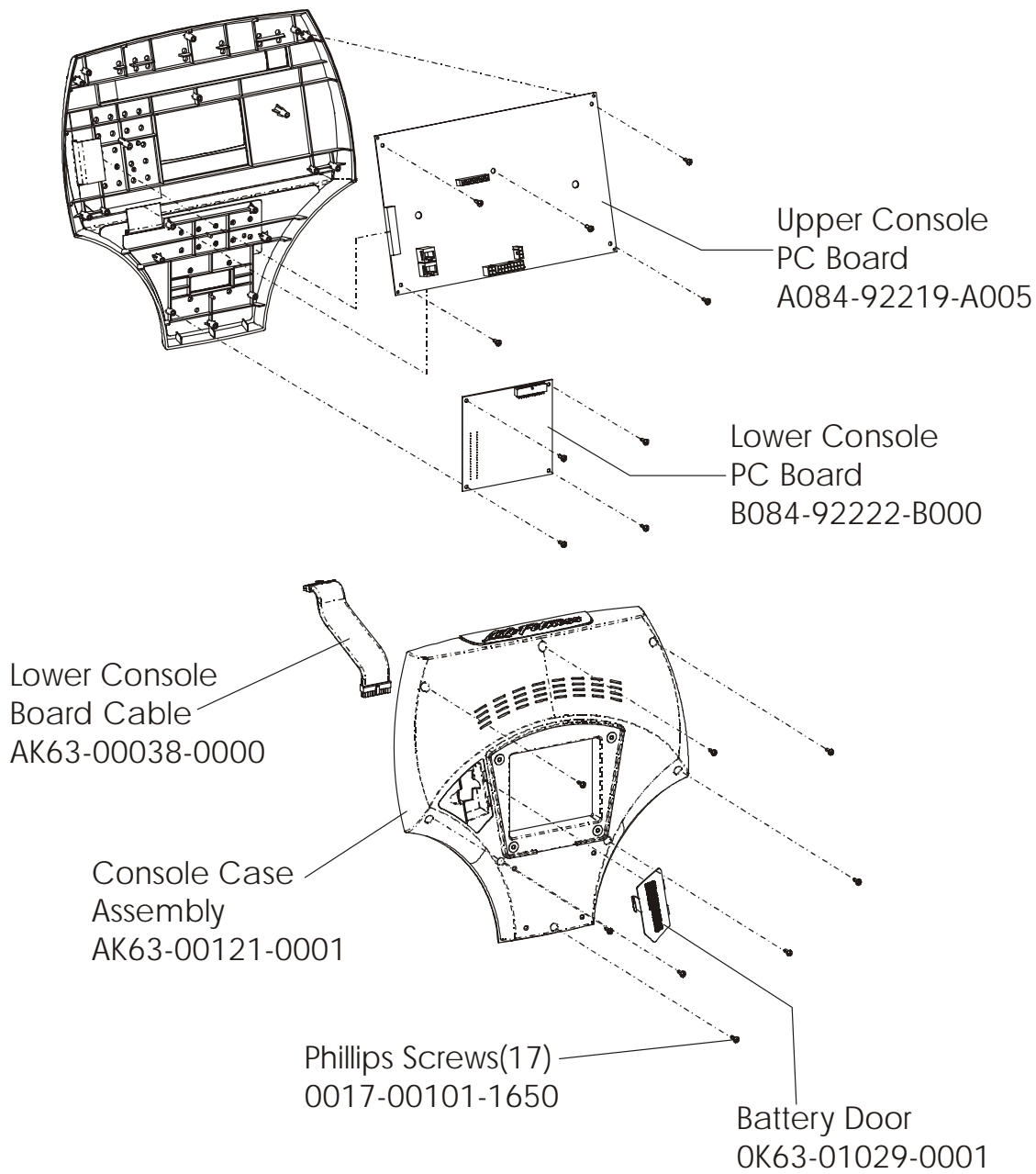
**NOTE: ADDING THE LCD BOLT-ON SCREEN**

TO A 95SW-0XXX-01 MAKES IT A 95SER-0XXX-02.

	Page
CONSOLE COMPONENTS .....	4
FRAME COMPONENTS.....	5
SHROUDS AND PEDAL TUBE .....	6
PEDAL ASSEMBLY.....	7
CLUTCH/SHAFT/PULLEY ASSEMBLY .....	8
LEFT CLUTCH ASSEMBLY .....	9
CROSSOVER PULLEY ASSEMBLY .....	10
ALTERNATOR ASSEMBLY.....	11
GUIDE ROLLERS .....	12
POWER CONTROL BOARD & RESISTORS .....	13
POLAR RECEIVER ASSEMBLY .....	14
CABLES.....	15

**ARCTIC SILVER 95SW**  
**Console Components**

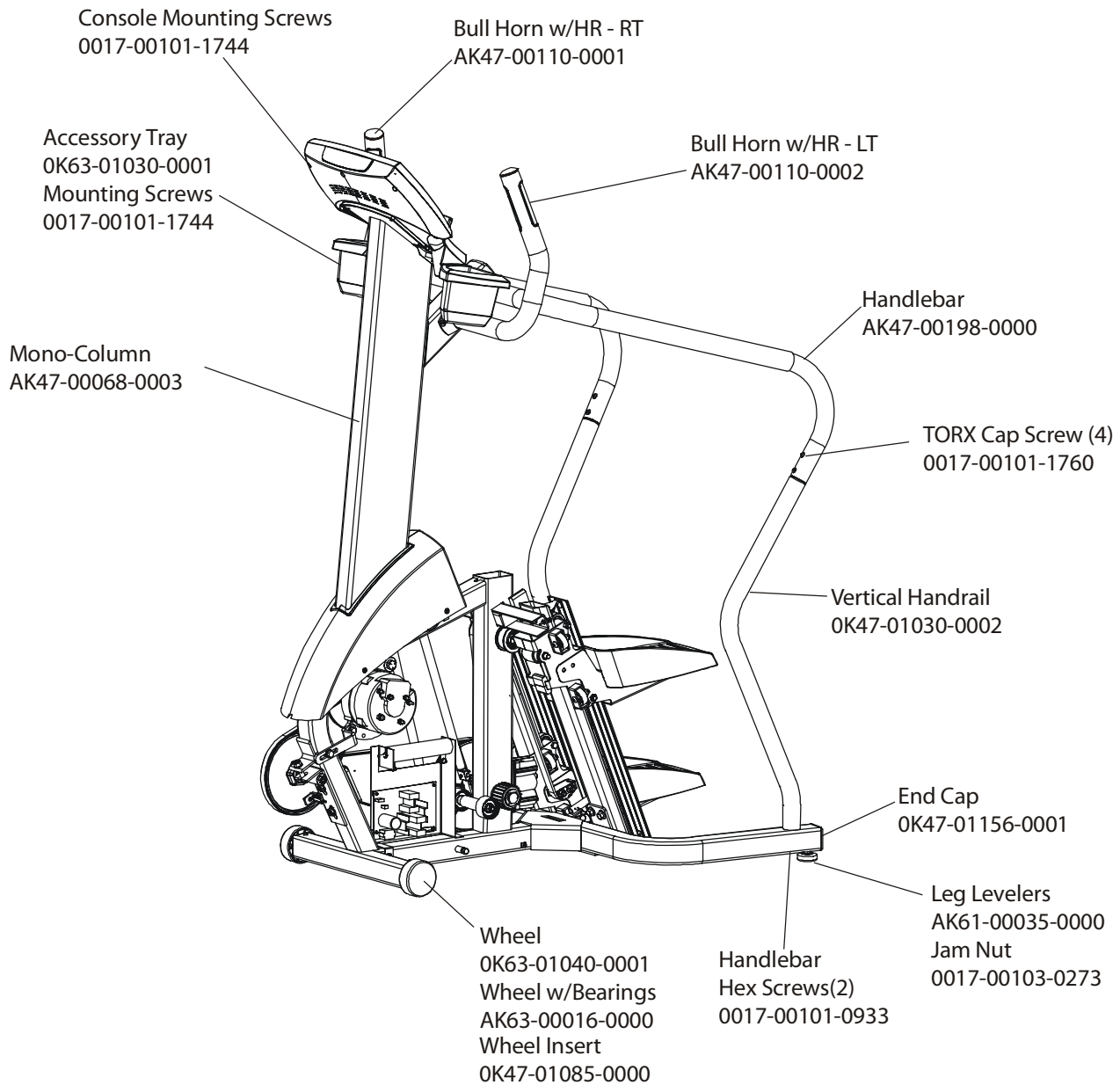
**95SW-0XXX-01**  
**S/N WSC100000 and up**



Console Assembly	Overlay/Bezel/Switch Assy.
AK47-00094-0001 Eng Met	AK47-00098-0001 Eng Met
AK47-00094-0003 Ger Met	AK47-00098-0003 Ger Met
AK47-00094-0004 Spn Met	AK47-00098-0004 Spn Met
AK47-00094-0006 Jap Met	AK47-00098-0006 Jap Met
AK47-00094-0007 Frn Met	AK47-00098-0007 Frn Met
AK47-00094-0008 Itl Met	AK47-00098-0008 Itl Met
AK47-00094-0009 Dut Met	AK47-00098-0009 Dut Met
AK47-00094-0010 Por Met	AK47-00098-0010 Por Met

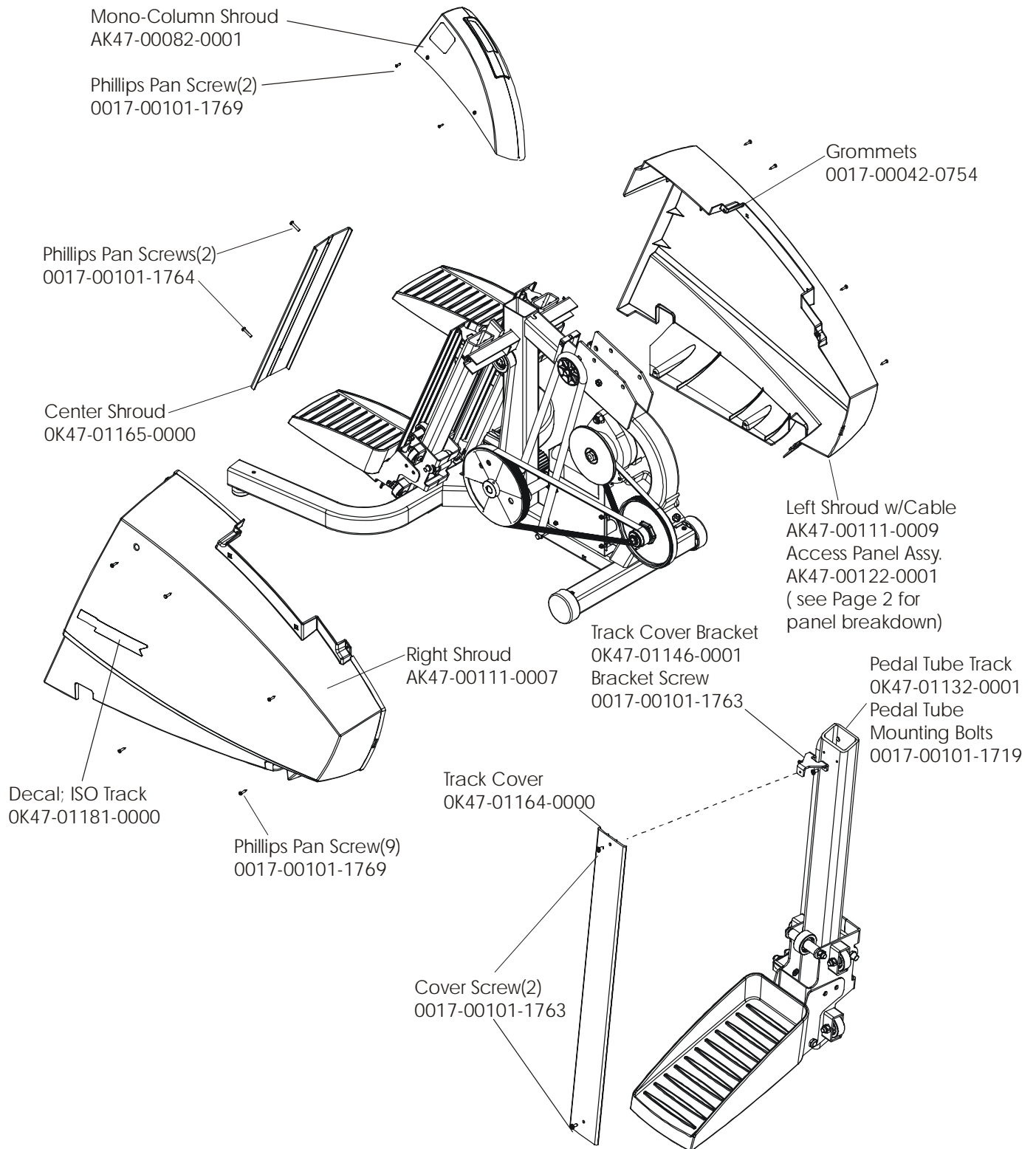
**ARCTIC SILVER 95SW**  
**Frame Components**

**95SW-0XXX-01**  
**S/N WSC100000 and up**



**ARCTIC SILVER 95SW**  
**Shrouds and Pedal Tube**

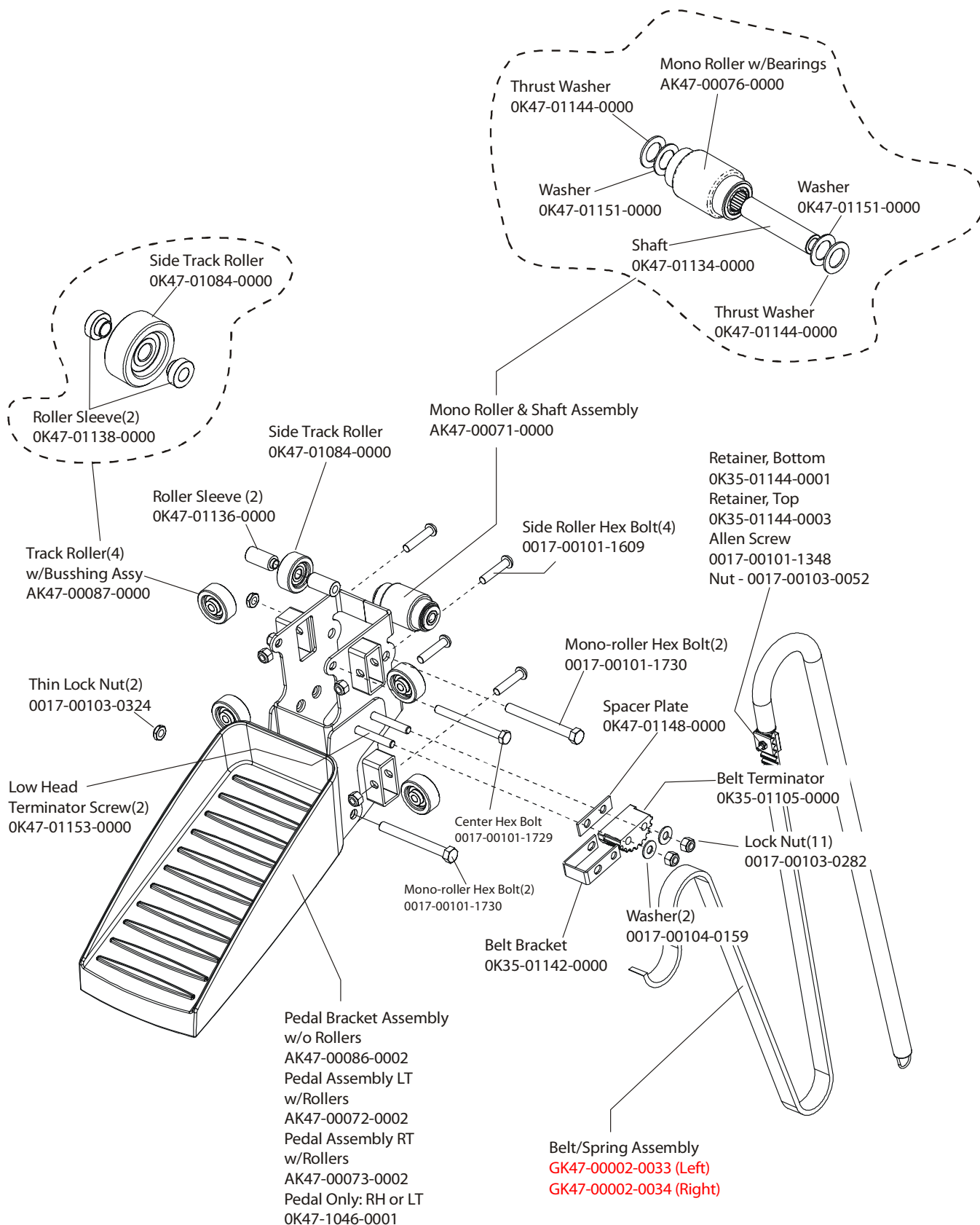
**95SW-0XXX-01**  
**S/N WSC10000 and up**



# ARCTIC SILVER 95SW

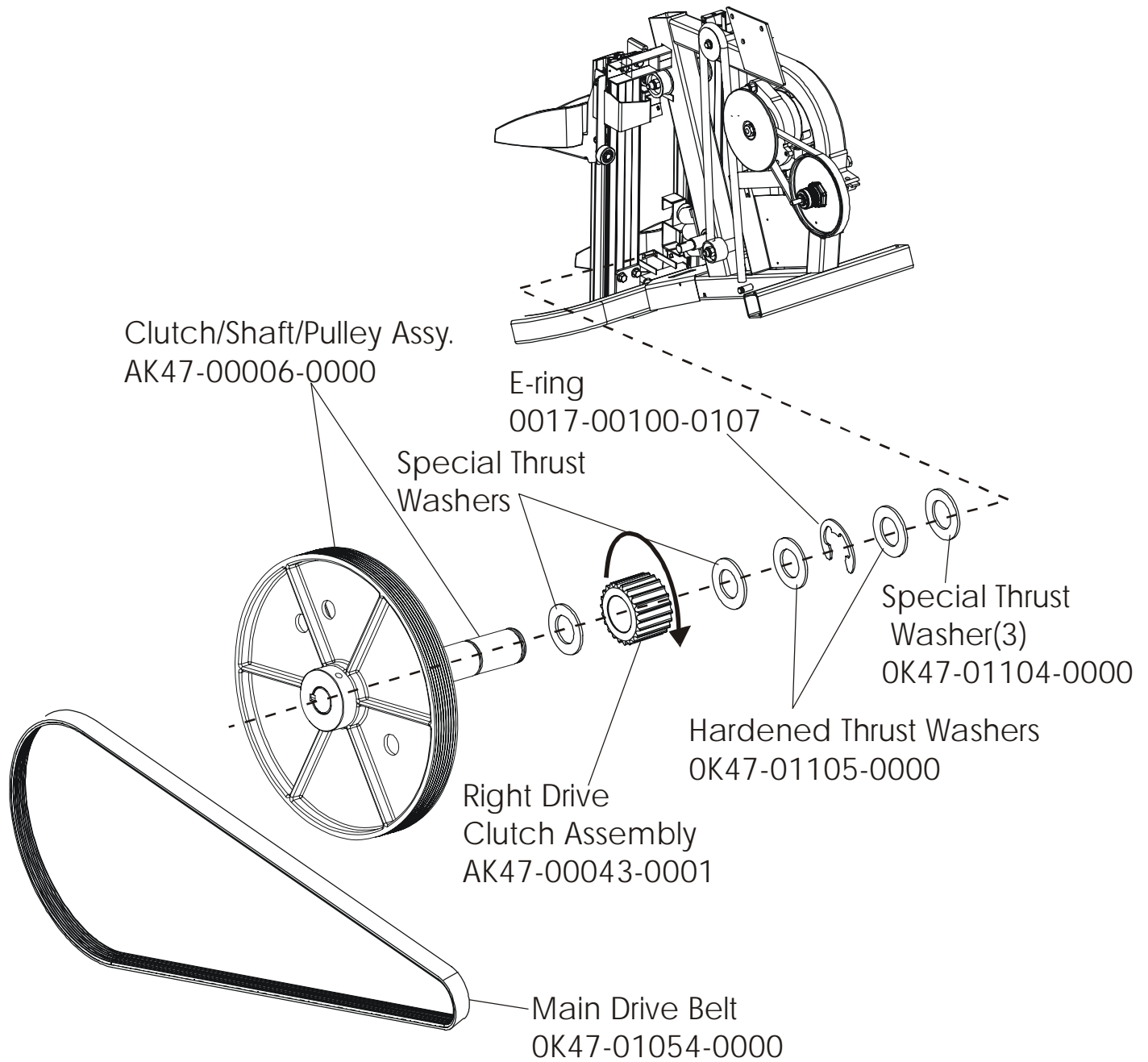
## Pedal Assembly

95SW-0XXX-01  
S/N WSC10000 and up



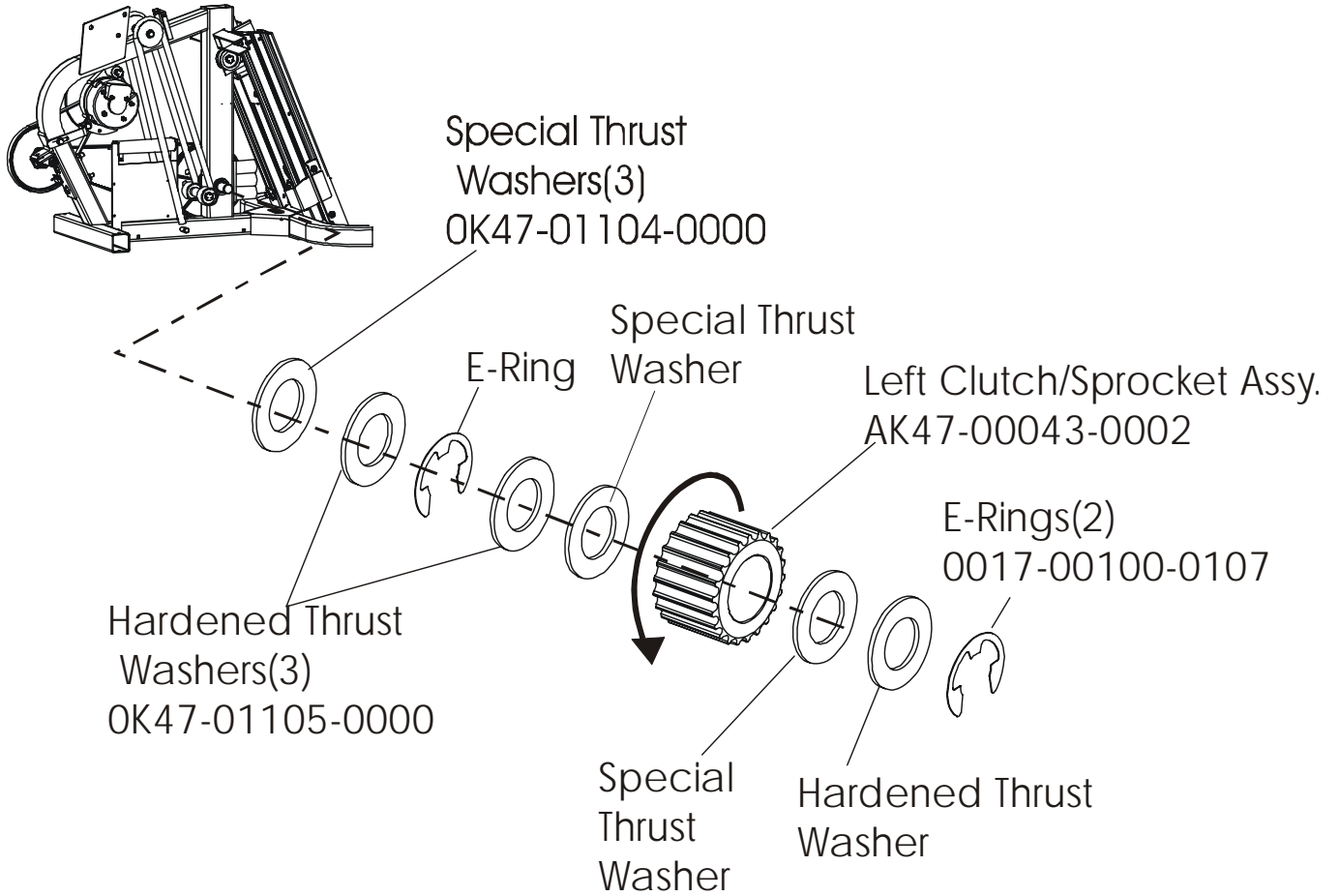
**ARCTIC SILVER 95SW**  
**Clutch/Shaft/Pulley Assembly**

**95SW-0XXX-01**  
**S/N WSC100000 and up**



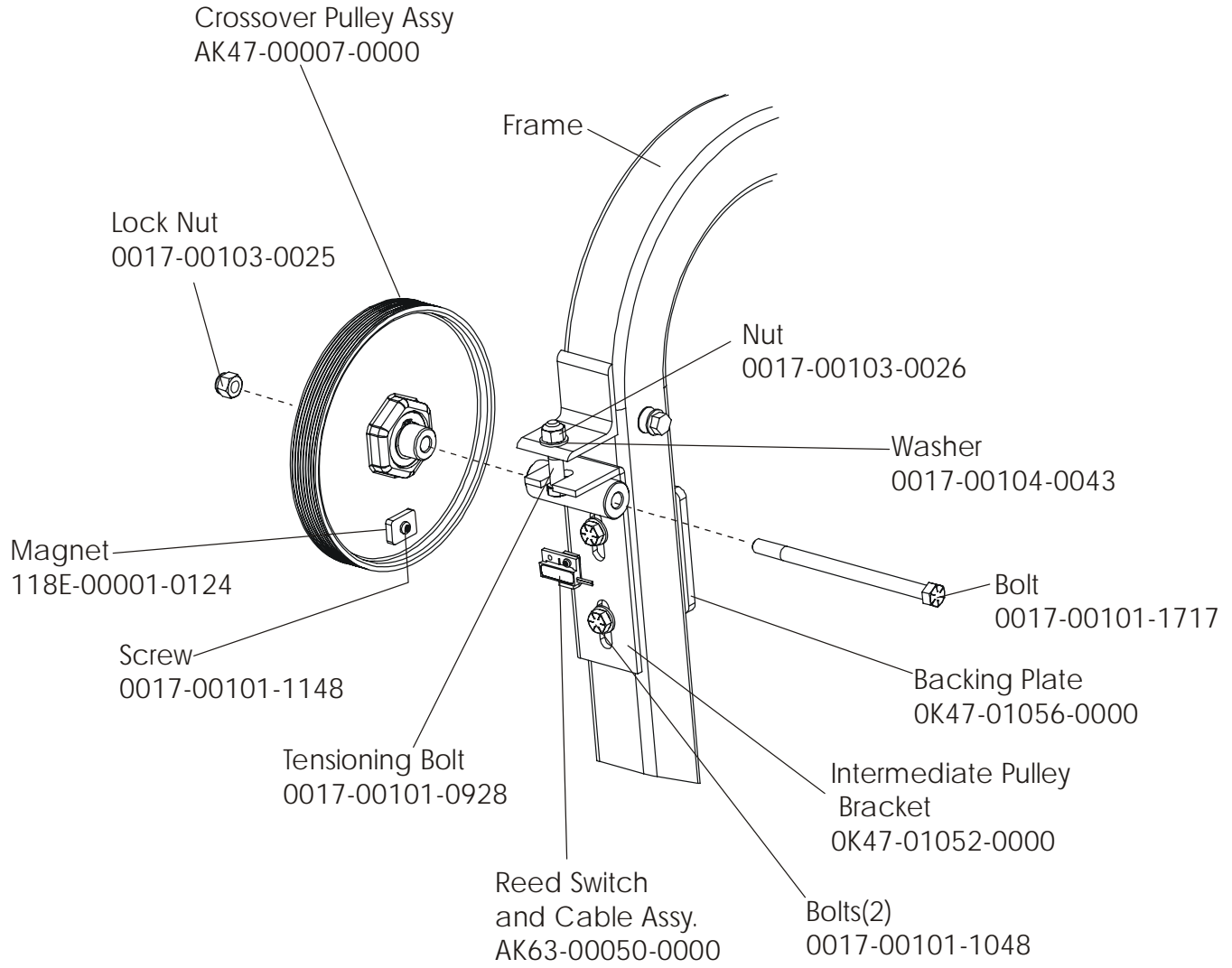
**ARCTIC SILVER 95SW**  
**Left Clutch Assembly**

**95SW-0XXX-01**  
**S/N WSC100000 and up**



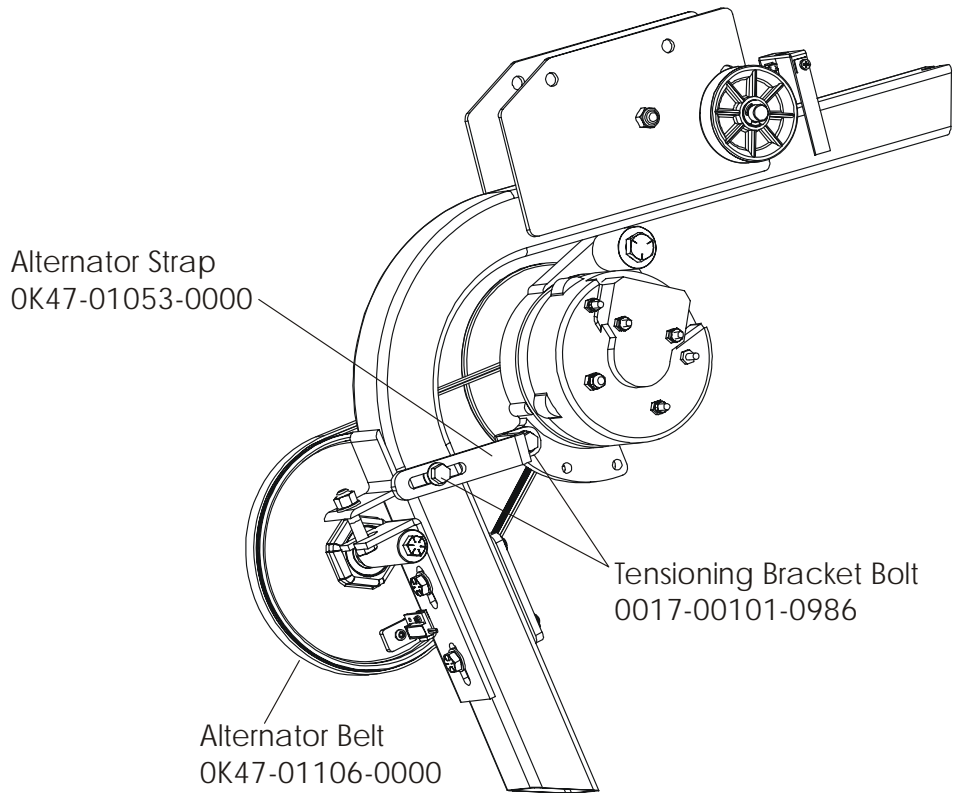
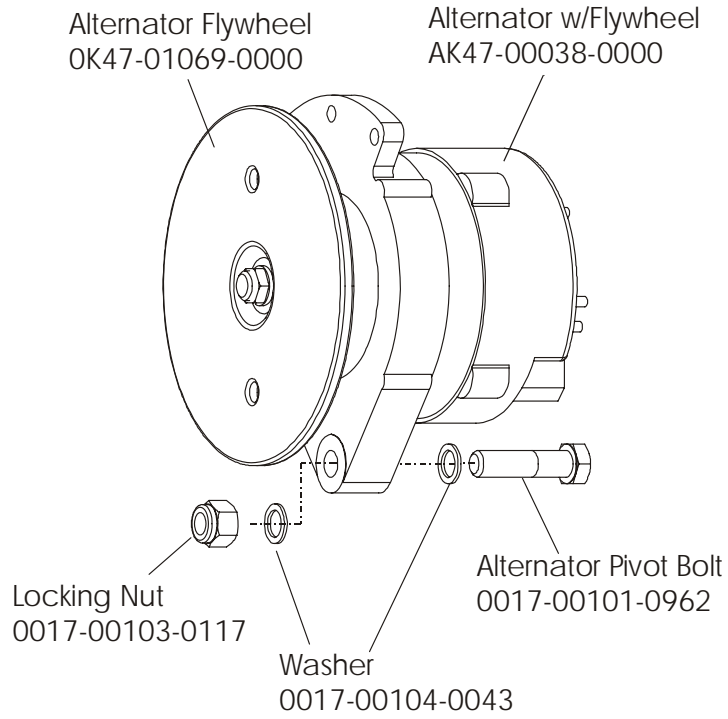
**ARCTIC SILVER 95SW**  
**Crossover Pulley Assembly**

**95SW-0XXX-01**  
**S/N WSC100000 and up**



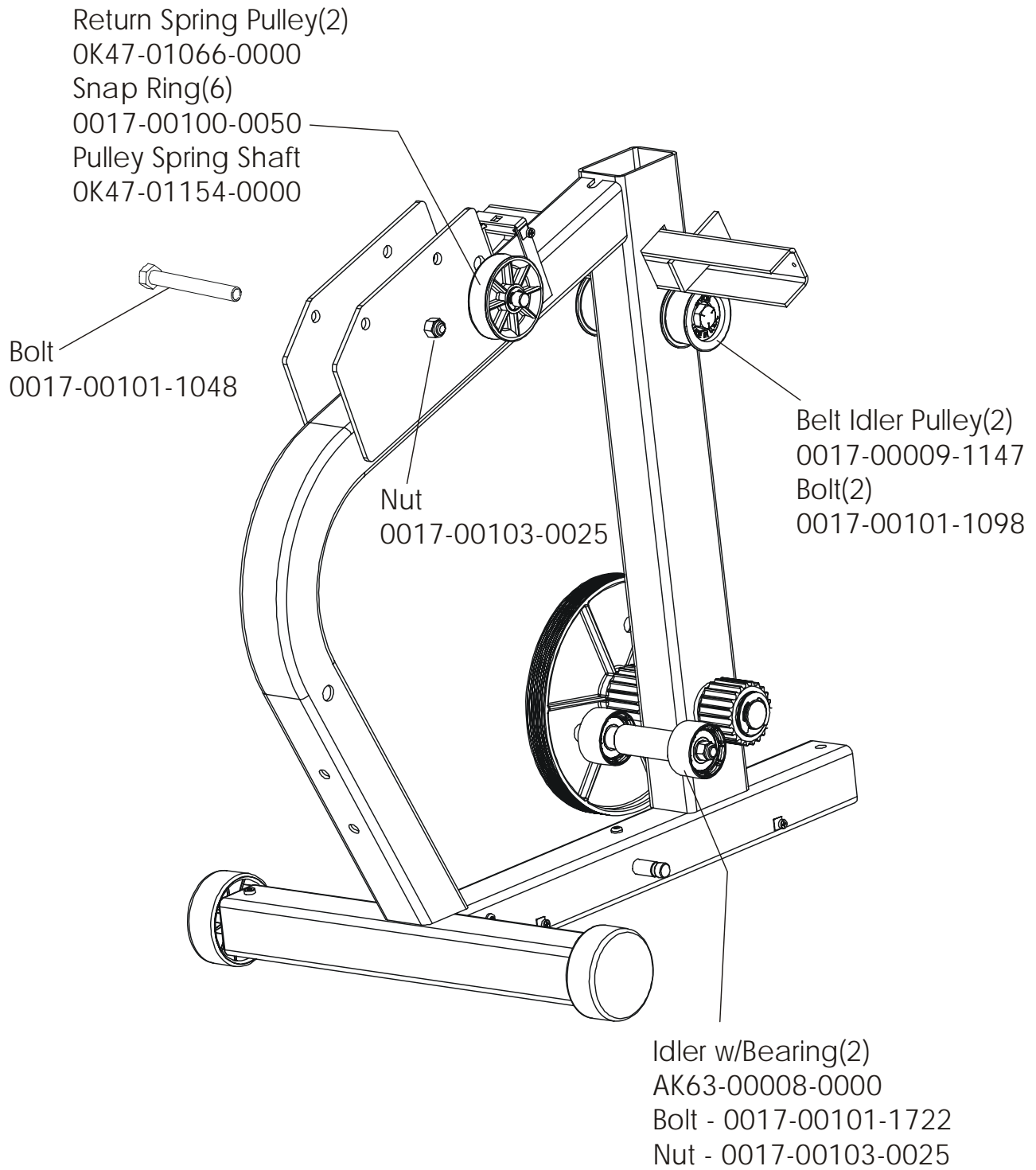
**ARCTIC SILVER 95SW**  
**Alternator Assembly**

**95SW-0XXX-01**  
**S/N WSC100000 and up**



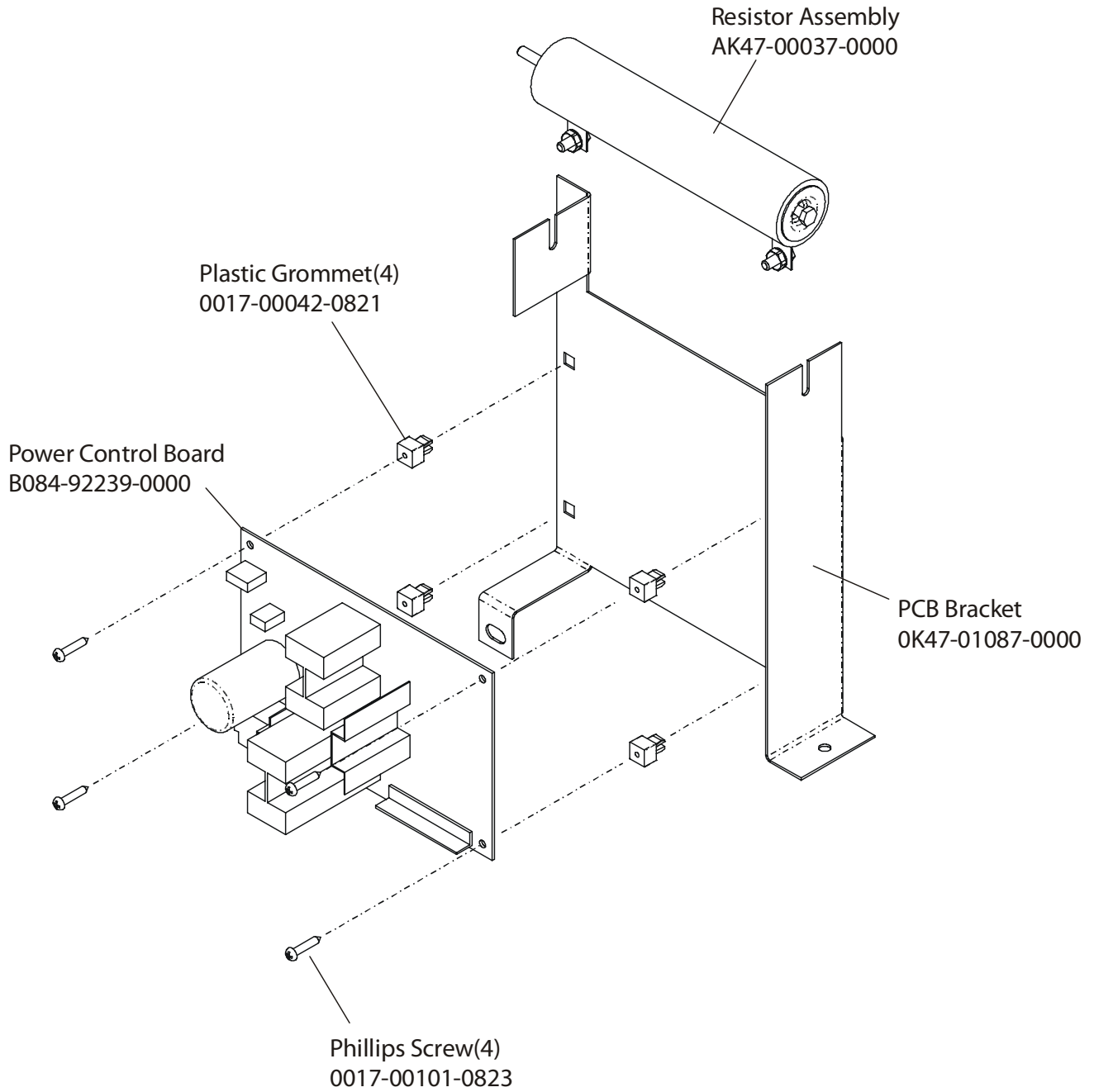
**ARCTIC SILVER 95SW**  
**Guide Rollers**

**95SW-0XXX-01**  
**S/N WSC100000 and up**



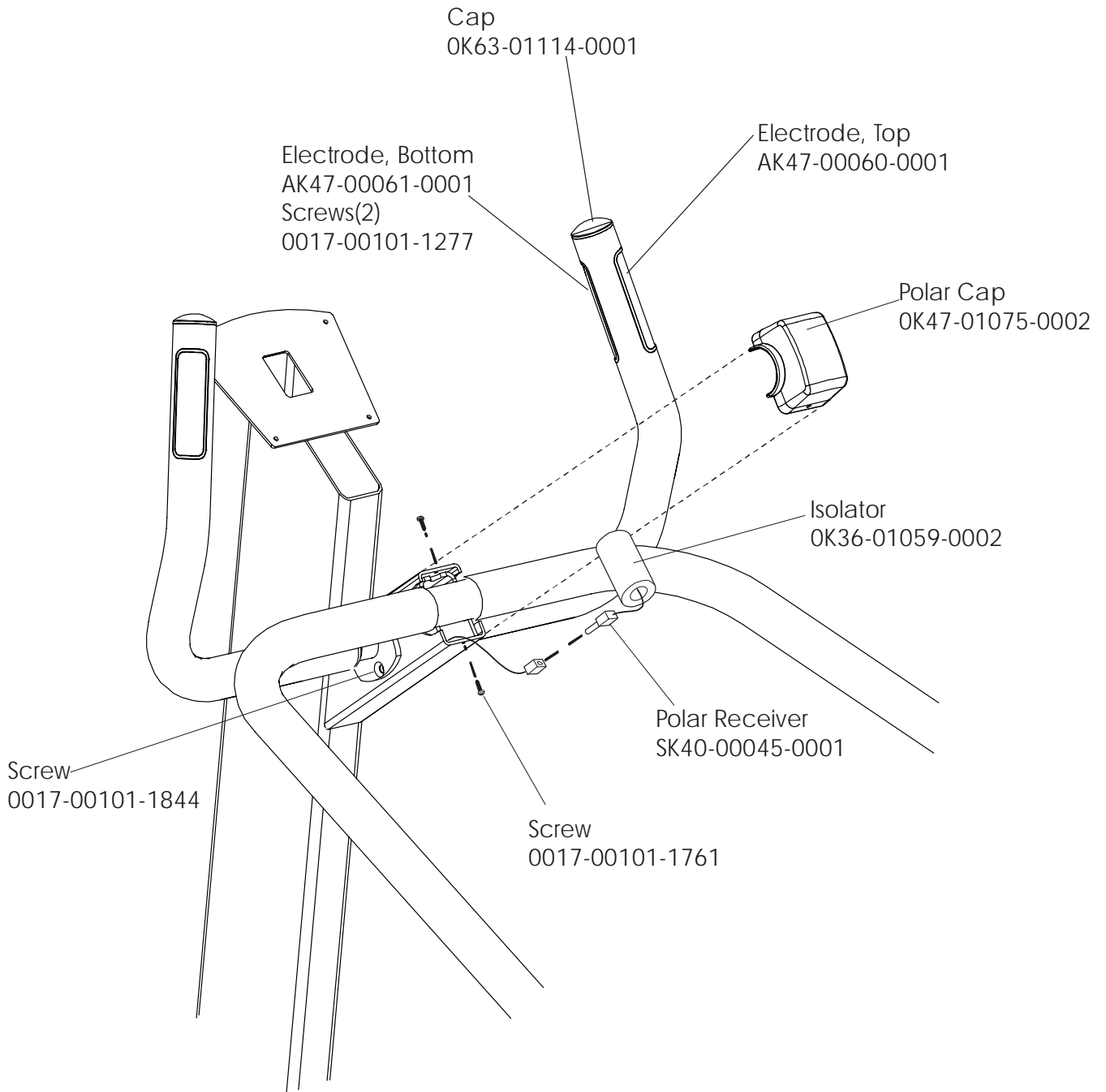
**ARCTIC SILVER 95SW**  
**Power Control Board & Resistor**

**95SW-0XXX-01**  
**S/N WSC10000 and up**



**ARCTIC SILVER 95SW**  
**Polar Receiver Assembly**

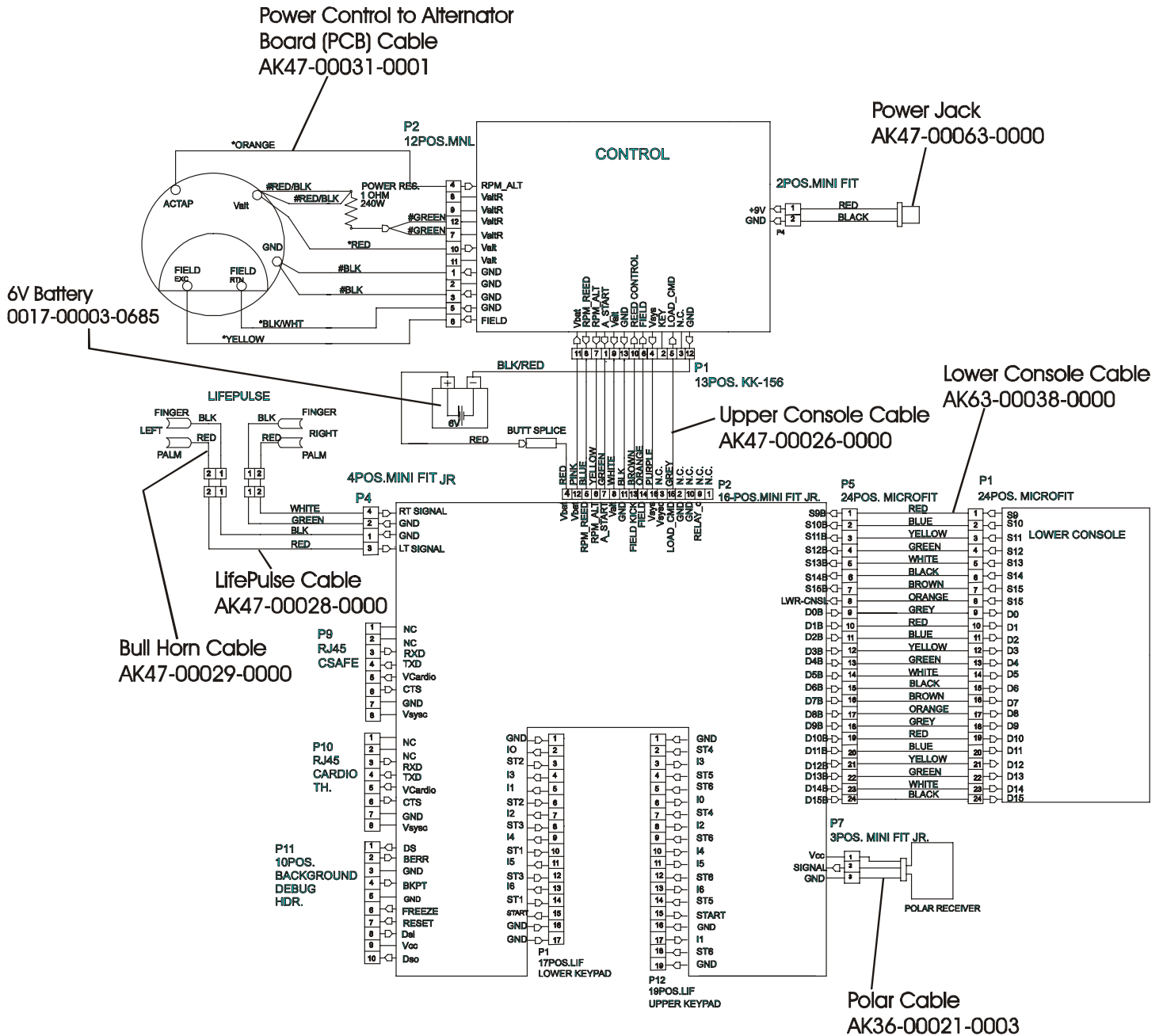
**95SW-0XXX-01**  
**S/N WSC100000 and up**



# ARCTIC SILVER 95SW

## Cables

95SW-0XXX-01  
S/N WSC10000 and up



Description	Part Number
Domestic 120/60 Battery Charge w/Cord	118E-00001-0165
Universal Battery Charger w/o Line Cord	118E-00001-0166
Line Cord 220V/60Hz	0017-00003-0704
Line Cord 100V/50Hz	
Line Cord 240+	0017-00003-0918
Line Cord 220V/50Hz	0017-00003-0691
Line Cord 200V/50Hz	
Line Cord 230V/50Hz	