

Serial Number Ranges

Ramsey Produced:

SS-RW0714001-SS-RW0718B070

Hungarian Produced:

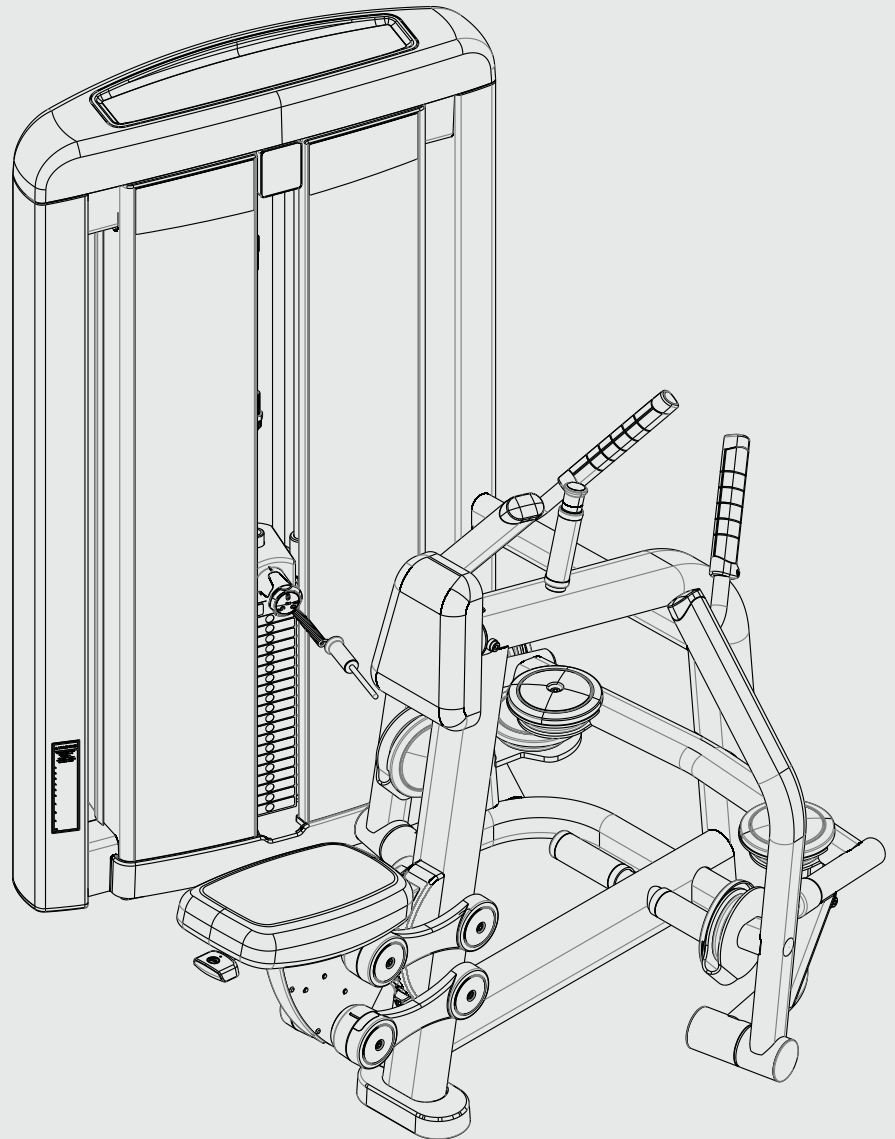
101430G00001-101833G07906

INSIGNIA SERIES

ROW

SS-RW

PARTS MANUAL



Insignia Series Row

Contents

Options and Key	3
Powder Coat Painted Frame Weldments	4
Component Assembly	5
Main Frame Assembly	6
Labels	7
Table	8
Seat Assembly	9
Tower Plastics	10
Shroud Wraps	11
Weight Stack Assemblies	12
T Trim Head Plate and Drop Down Increment Weights	13
C and X Trim Stack Components	14
C and X Trim Head Plate Assemblies	15
C and X Trim Incremental Weights	16
Grip Assemblies	17
Sensor Assemblies	18

Insignia Series Row

Options and Key

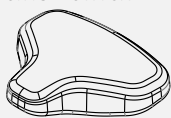
FRAME OPTION

SELECT POWDERCOAT COLOR

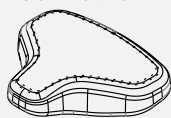
- WHITE
- PLATINUM
- BLACK
- MIDNIGHT METALLIC
- NICKEL
- ICE BLUE METALLIC
- RED
- BLUE
- YELLOW
- CANDY APPLE RED
- ELECTRIC BLUE
- CHARCOAL
- MOCHA SAND
- TITANIUM
- DIAMOND WHITE
- CUSTOM

UPHOLSTERY OPTION

SINGLE STITCH



DOUBLE STITCH



SELECT UPHOLSTERY COLOR

- BLACK
- ROYAL BLUE
- SLATE
- CRANBERRY
- NORTHWOODS GREEN
- SPACE BLUE
- AMERICAN BEAUTY RED
- SUEDE
- HUNTER GREEN
- REGIMENTAL BLUE
- CONCORD
- TURQUOISE
- CROCUS
- AZURE
- WHEAT
- GRAPHITE
- GROTTO
- JADE
- EMERALD
- CANDLY APPLE RED
- BURGUNDY
- PLUM
- NAVY
- IMPERIAL BLUE
- CHESTNUT
- PAPRIKA
- TERRA COTTA
- DOVE GRAY
- PUTTY
- GUN METAL
- CUSTOM

LANGUAGE OPTION

SELECT LANGUAGE

- 01 ENGLISH
- 02 GERMAN
- 03 FRENCH
- 04 SPANISH
- 05 ITALIAN
- 06 DUTCH
- 07 JAPANESE
- 08 PORTUGUESE
- 10 RUSSIAN
- 11 TURKISH
- 12 CHINESE
- 13 ARABIC

WEIGHT STACK OPTION

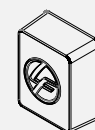
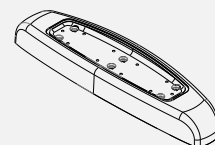
- T - BASE STACK
- C - LIGHT STACK
- X - HEAVY STACK
- POUNDS
- KILOGRAMS

SHROUD WRAP OPTION

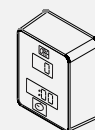
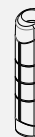
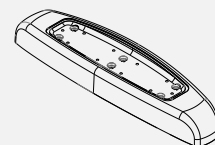
- FULL SHROUD
- BAMBOO
- SKY
- BRONZE
- STEM
- ROSEWOOD
- STAINLESS STEEL

TRIM OPTION

S
PLASTIC TOWER CAP
STANDARD GRIP
NO REP COUNTER



L
PAINTED CAST TOWER CAP
ERGO GRIP
REP COUNTER



KEY

LANGUAGE ① ② ③

Items with Black call-outs require the last two digits (XX) to be replaced with language codes listed above. IE: 12345XX should be 1234501 for English.

UPHOLSTERY ① ② ③

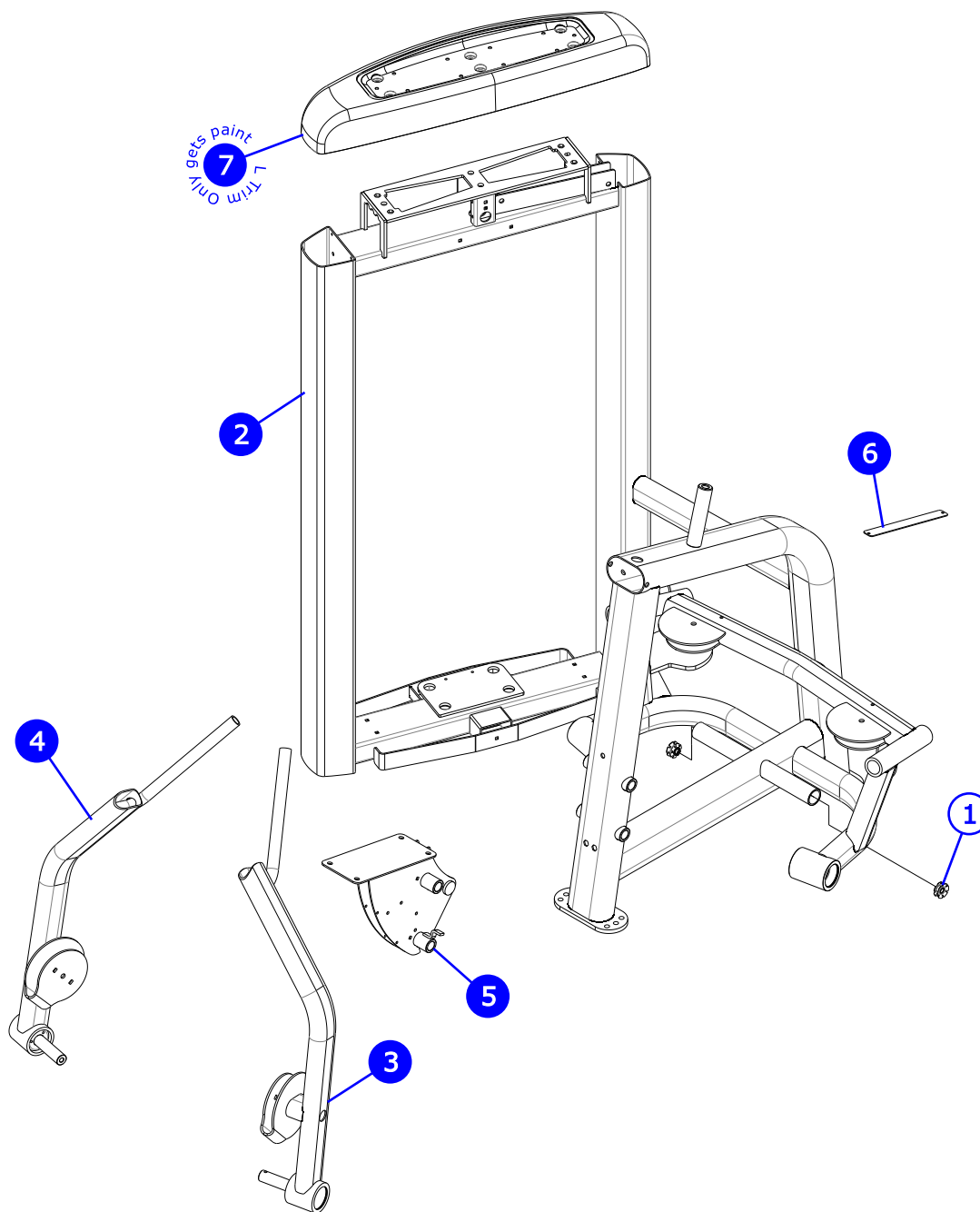
Items with Gray call-outs require the upholstery color within the order notes. IE: Putty.

FRAME COLOR ① ② ③

Items with Blue call-outs require the powder coat frame color to be within the order notes.

Insignia Series Row

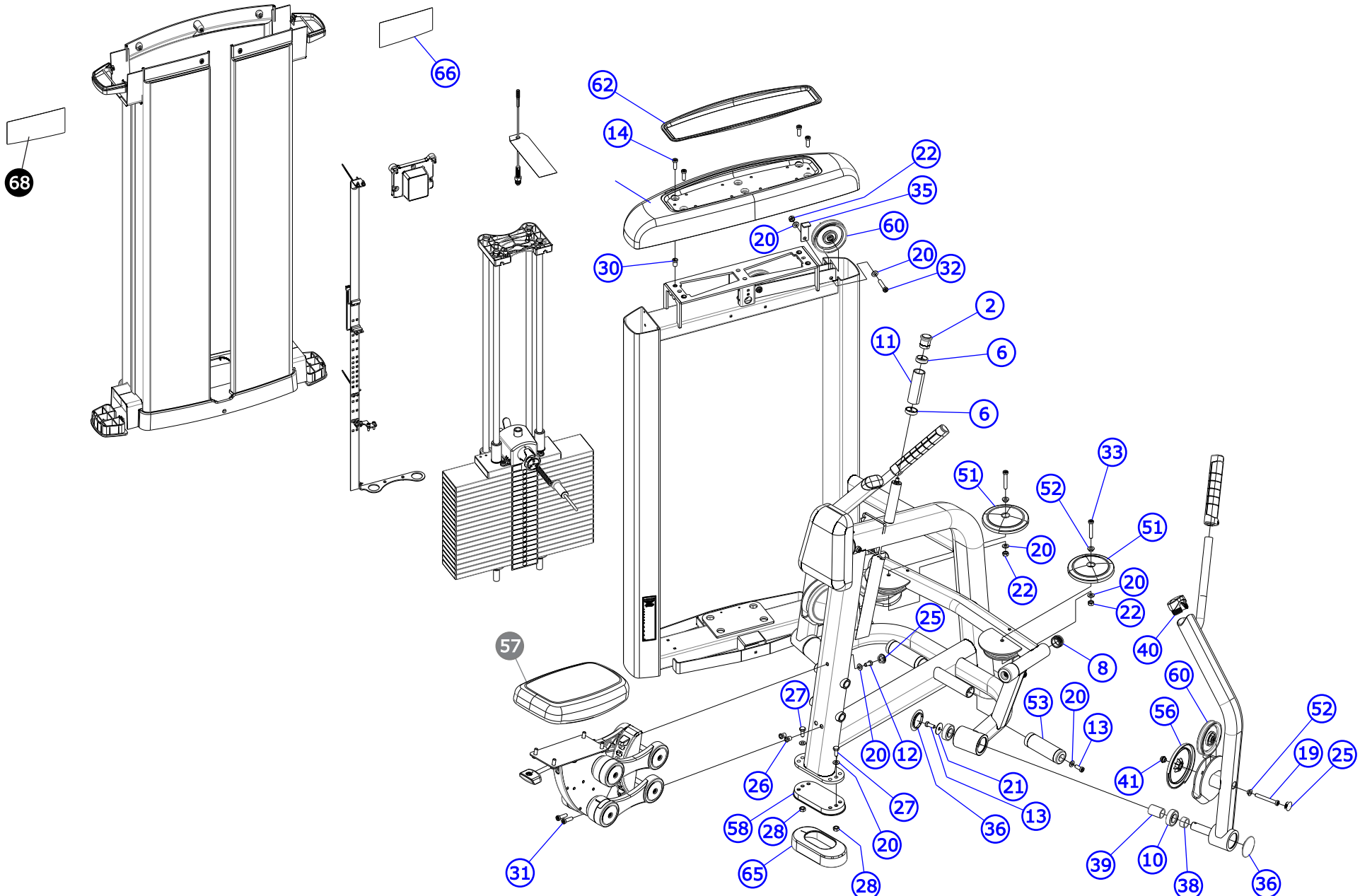
Powder Coat Painted Frame Weldments



ITEM NO.	QTY.	PART NO.	DESCRIPTION	TRIM	
1	2	7347301	NUT, SPIDER M10 X 1.5	S	L
2	1	POSSIBLE RMA	WLDMT, SS-RW FRAME	S	L
3	1	9348099	WLDMT, SS-RW W-ARM, RIGHT	S	L
4	1	9348199	WLDMT, SS-RW W-ARM, LEFT	S	L
5	1	9448199	WLDMT, SS-RW/LR SEAT SUPPORT	S	L
6	1	8956699	PLATE, PSSC SLOT COVER	S	L
7	1	9412699	CAP, SS, CAST	-	L

ITEMS ON THIS PAGE ARE POWDER COAT PAINTED. REFER TO PAGE 3 FOR ORDERING INSTRUCTIONS.

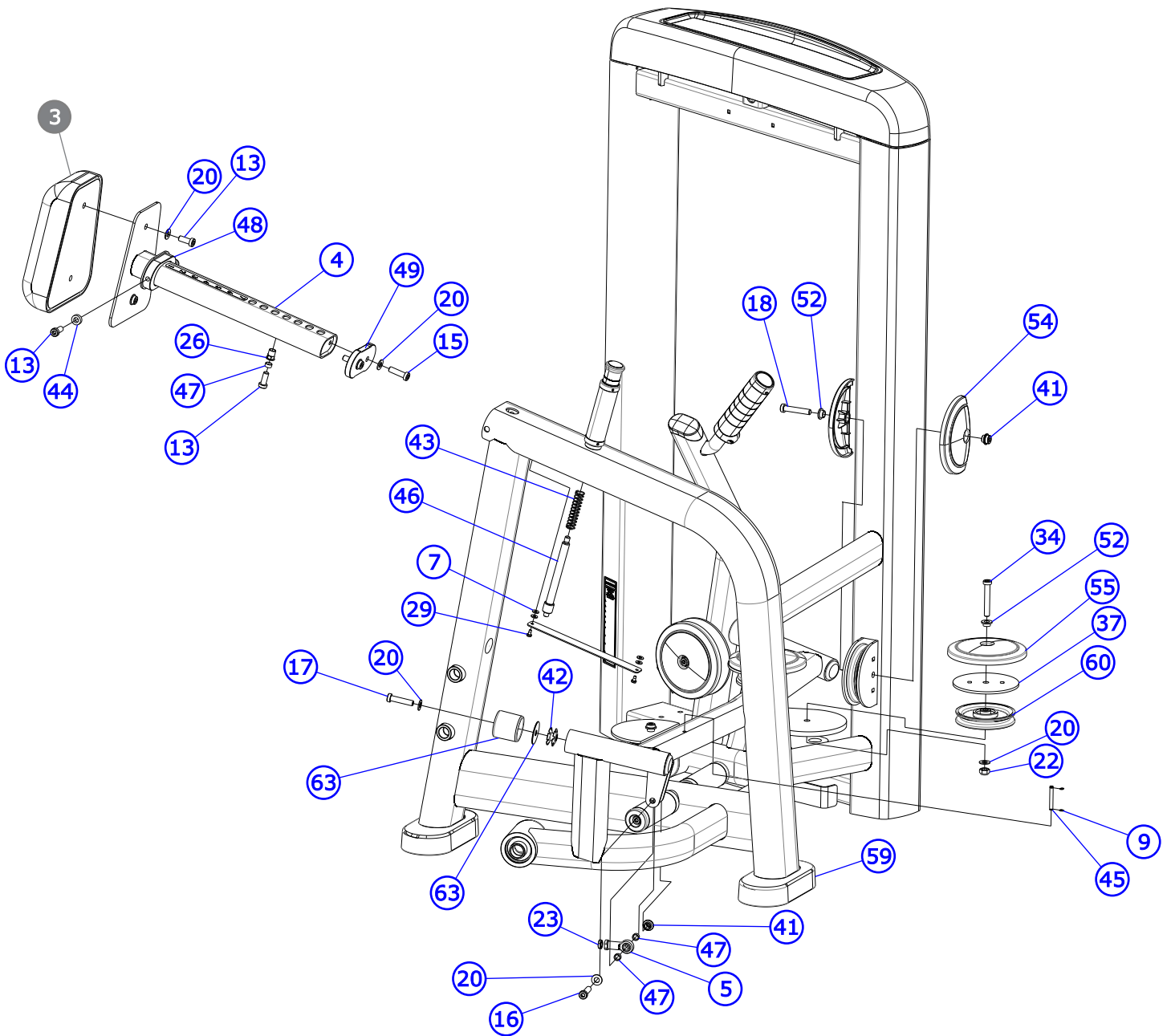
Insignia Series Row Component Assembly



See page 8 for table

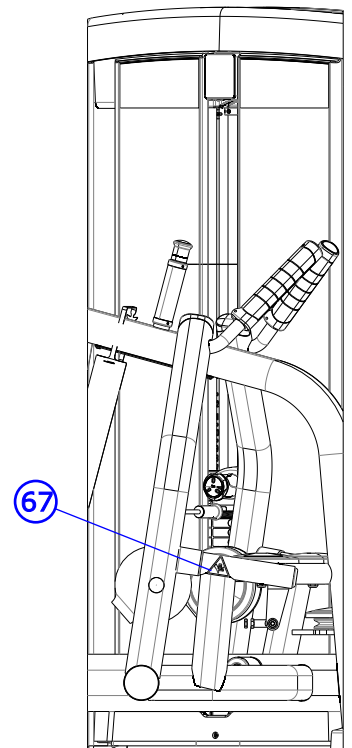
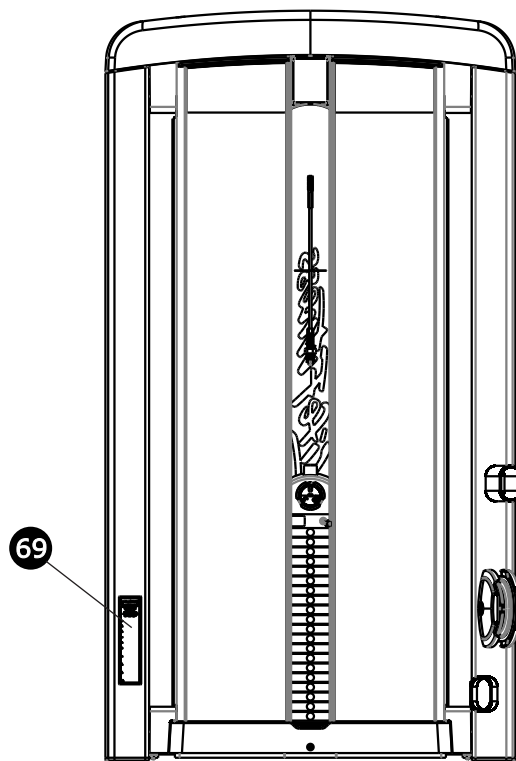
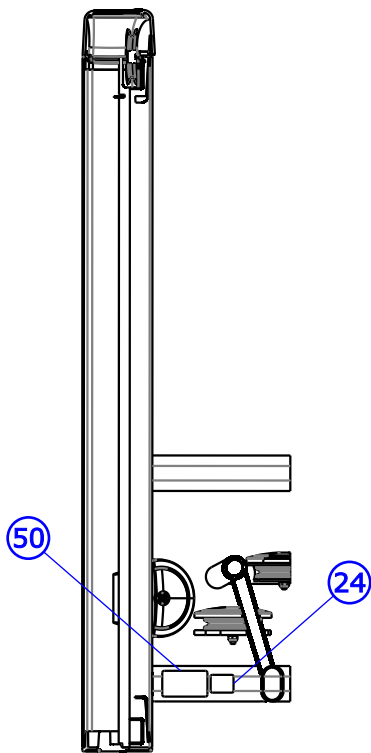
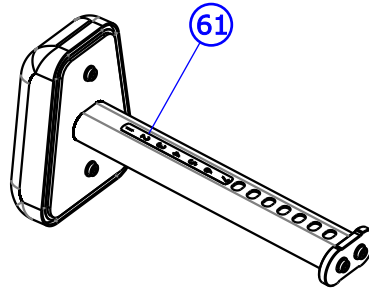
Insignia Series Row

Main Frame Assembly



See page 8 for table

Insignia Series Row Labels

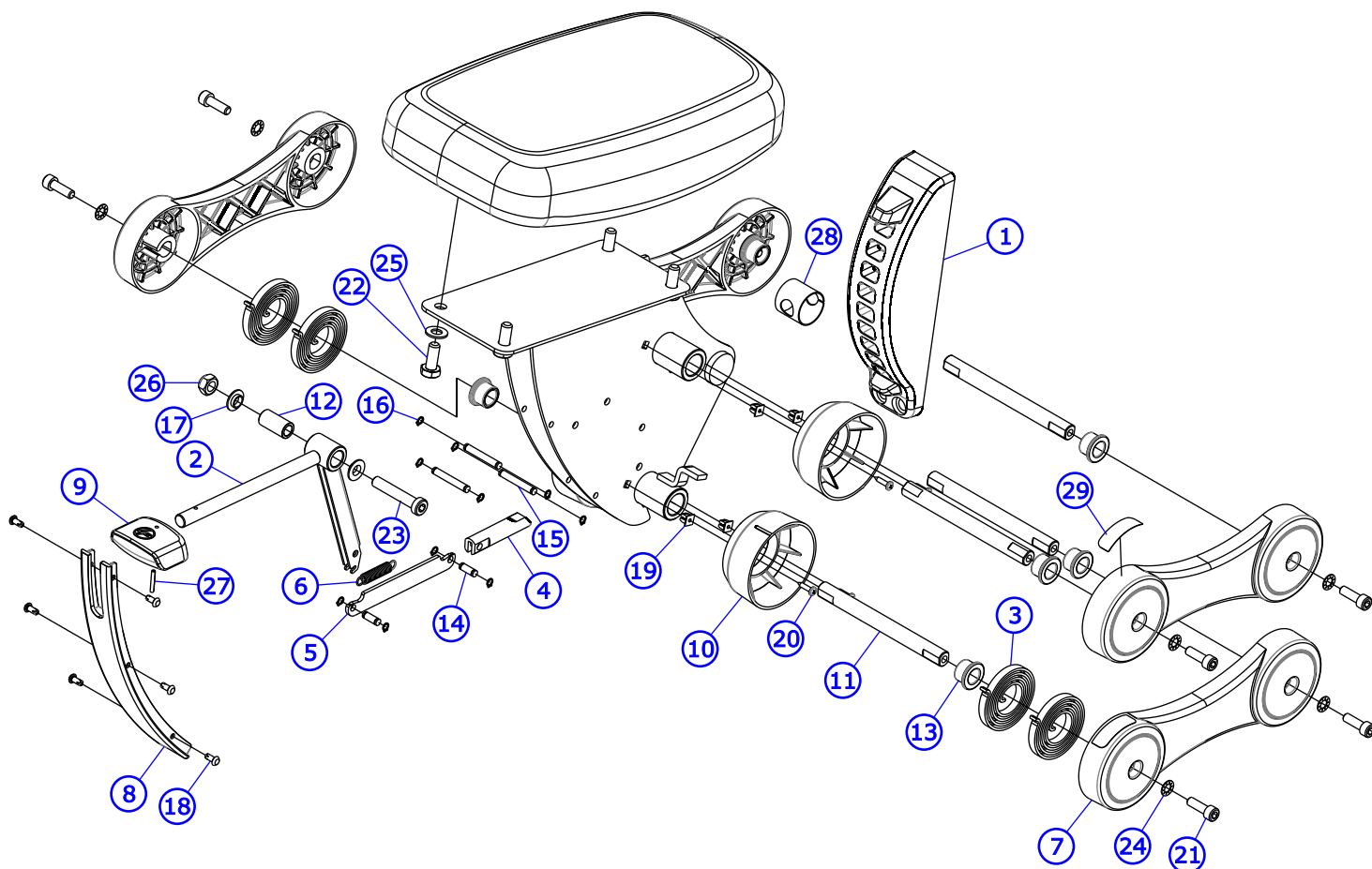


See page 8 for table

Insignia Series Row Table

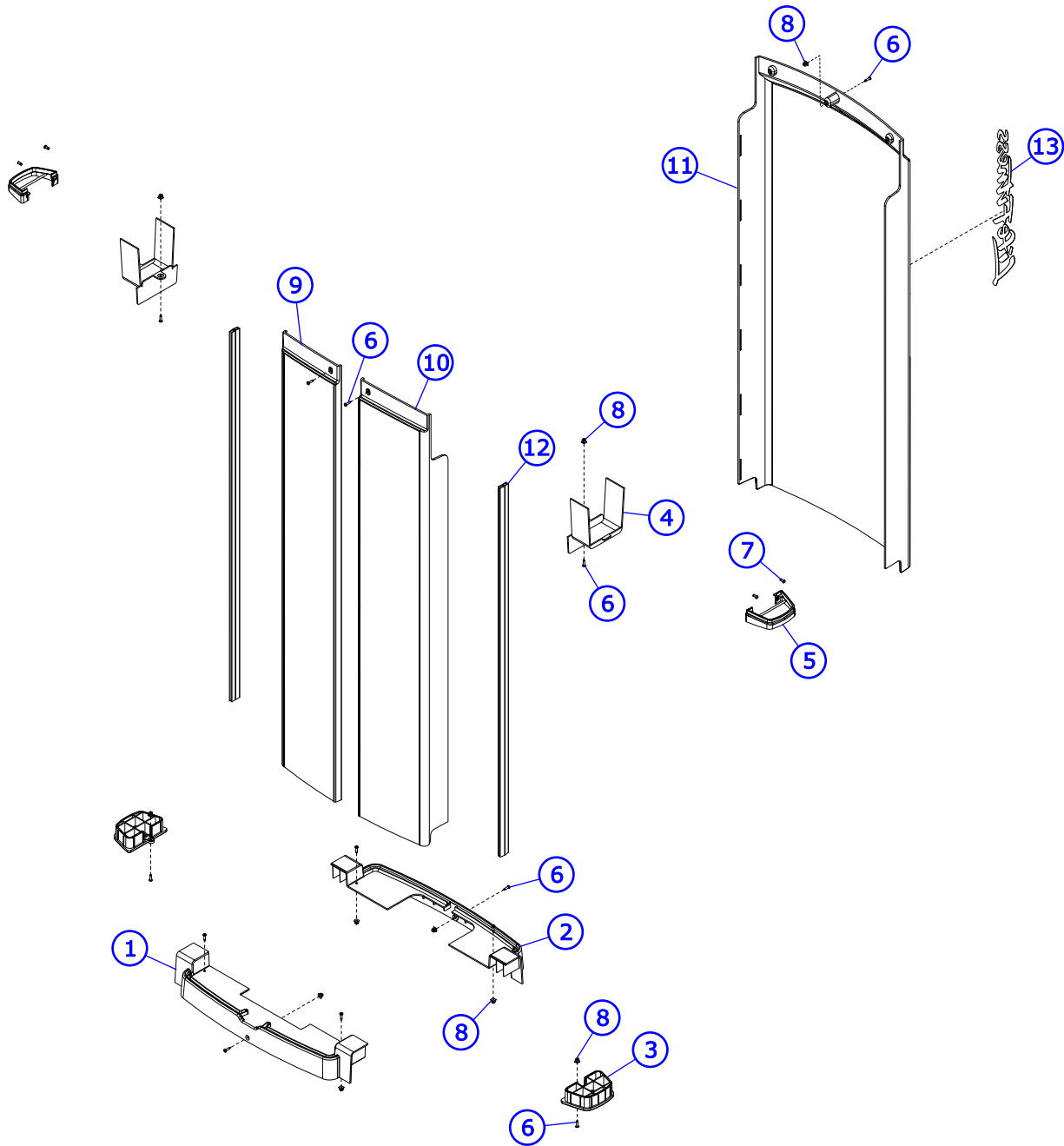
ITEM NO.	QTY.	PART NO.	DESCRIPTION	TRIM	
1	1	9436701	CAP, TOWER, TOP, PLASTIC	S	-
2	1	9454703	KNOB, ADJ	S	L
3	1	7624501	PAD, CHEST 10- X 7-5/8, NO BACKER BLK, SNGL STITCH	S	L
		1000008-0099	PAD, CHEST 10 X 7-5/8, NO BACKER CUS, SNGL STITCH		
		1000008-0101	PAD, CHEST 10 X 7-5/8, NO BACKER BLK, DBL STITCH		
		1000008-0199	PAD, CHEST 10 X 7-5/8, NO BACKER CUS, DBL STITCH		
4	1	9348301	WLDMT, SS-RW CHEST PAD SUPP	S	L
5	1	3237901	ROD END, METRIC FEMALE	S	L
6	2	8259501	RING, GRIP 1.52 OD X 1.30 ID	S	L
7	4	3114407	WASHER, SAE #10	S	L
8	2	3119306	CAP, END 1.50 DIA RD 8-12 GA	S	L
9	4	3232401	RING, RETAINING, EXTERNAL	S	L
10	4	3235601	BEARING, 6205 BALL	S	L
11	1	3235808	GRIP, OPEN END	S	L
12	1	3236201	SCREW, M10 X1.5 20MM	S	L
13	9	3236202	SCREW, M10 X1.5 25MM	S	L
14	4	3236203	SCREW, M10 X1.5 30MM	S	L
15	2	3236204	SCREW, M10 X1.5 35MM	S	L
16	1	3236205	SCREW, M10 X1.5 40MM	S	L
17	2	3236206	SCREW, M10 X1.5 45MM	S	L
18	1	3236208	SCREW, M10 X1.5 55MM	S	L
19	2	3236213	SCREW, M10 X1.5 80MM	S	L
20	21	3236601	WASHER, 3/8 SAE SS	S	L
21	2	3236701	WASHER, FENDER 3/8" ID X 1.5" OD SS	S	L
22	5	3236801	NUT, M10 HEX NYLOCK SS	S	L
23	1	3236901	NUT, HEX JAM M10 X 1.5 SS	S	L
24	1	9488901	LABEL, INSIGNIA, FCC	S	L
25	3	3237407	PLUG, 1" HOLE	S	L
26	3	3238601	M10X1.5 BLIND THREADED INSERT (HEX)	S	L
27	4	3251202	SCREW, M10 X1.5 X 25MM UNS HEX CS ST ZN	S	L
28	4	3254703	NUT, M10 X 1.5 HEX ZINC	S	L
29	2	3270601	SCREW, #10-32 TRX PAN ST BZ	S	L
30	4	3275401	M10X1.5 BLIND THREADED INSERT (HEX) -HVY	S	L
31	2	3275504	SCREW, M10 X 1.5 X 35 SHCS, LOW HEAD -NO PATCH	S	L
32	2	3275507	SCREW, M10 X 1.5 X 50 SHCS, LOW HEAD -NO PATCH	S	L
33	2	3275509	SCREW, M10 X 1.5 X 60 SHCS, LOW HEAD -NO PATCH	S	L
34	1	3275510	SCREW, M10 X 1.5 X 65 SHCS, LOW HEAD -NO PATCH	S	L
35	1	6757701	CLIP, CABLE 2-7/8 X 1 X 1	S	L
36	4	7308702	CAP, BEARING HOUSING	S	L
37	1	7318201	PLATE, PULLEY	S	L
38	2	7330002	SPACER, INTERNAL X .653	S	L
39	2	7330006	SPACER, INTERNAL X 1.765	S	L
40	2	7333802	CAP, SMALL FLOV- END	S	L
41	4	7335401	NUT, M10 X 1.5 SOCKET HEAD	S	L
42	2	7347301	NUT, SPIDER M10 X 1.5	S	L
43	1	7351501	SPRING, PULL PIN LARGE	S	L
44	2	7385201	SPACER, .406 X .750 X .250	S	L
45	2	7407504	PIN, LINK	S	L
46	1	1000104-0001	PIN, PULL	S	L
47	3	7489402	BSHNG, .500 OD X .402 ID X .235	S	L
48	1	7561002	GLIDE, 2.50 X 4.49 FLOV EXT	S	L
49	1	7561102	GLIDE, 2.50 X 4.49 FLOV INT	S	L
50	1	-	LABEL, SERIAL NUMBER, BLANK	S	L
51	2	7629902	COVER, PULLEY- BOLTED FULL	S	L
52	6	7630101	RETAINER, CM/MJ, PULLEY	S	L
53	2	7800102	GRIP, 1.50 ID FOOT	S	L
54	2	8094102	COVER, PULLEY-BOLTED PARTIAL -CHGR	S	L
55	1	8102902	COVER, PULLEY-BOLTED FULL	S	L
56	2	8104502	COVER, PULLEY-BOLTED NOTCHED	S	L
57	1	1000019-0001	PAD, 15 X 9 RECTANGULAR BLK, SNGL STITCH	S	L
		1000019-0099	PAD, 15 X 9 RECTANGULAR CUS, SNGL STITCH		
		1000019-0101	PAD, 15 X 9 RECTANGULAR BLK, DBL STITCH		
		1000019-0199	PAD, 15 X 9 RECTANGULAR CUS, DBL STITCH		
58	2	9319301	FOOT, 2.50 X 4.49 FLOV	S	L
59	1	9319401	COVER, FOOT - STRAIGHT	S	L
60	8	9319901	PULLEY, 3/16 IN CABLE (T2), 4.5 IN OD	S	L
61	1	9352301	LABEL, 7-1 STRAIGHT	S	L
62	1	9411201	TRAY, TOWER TOP CAP	S	L
63	2	9414501	BUMPER, HARD STOP	S	L
64	4	9455101	SHIM, 1.75" OD X .44" ID	S	L
65	1	9461301	COVER, FOOT - 10 deg	S	L
66	1	9477401	LABEL, SS-RW PLACARD RH	S	L
67	1	8039501	LABEL, WARNING, TRIANGLE, 10-0099-067, BNR	S	L
68	1	9465801	LABEL, SS-RW PLACARD, LH	S	L
69	1	8220001	LABEL, ASTM, SELECT VERT	S	L

Insignia Series Row Seat Assembly



ITEM NO.	QTY.	PART NO.	DESCRIPTION
1	1	9365301	ADJUST BRKT, SS RF SEAT
2	1	9402028	WLDMT, SS-FLY SEAT HANDLE CHR
3	4	9365401	SPRING, SPIRAL TORSION
4	1	9401101	PULLPIN, SS-SEAT
5	1	9401001	PLATE, SS-SEAT HANDLE CONNECT
6	1	3239201	SPRING, EXT, .375 X .049 X 2.00
7	4	9365228	SEAT LINK, CAST, CHR
8	1	9402201	GUARD, SS-SEAT
9	1	9402503	HANDLE, SS-SEAT
10	4	9402801	RING, SS-SEAT
11	4	9448401	SHAFT, SS-SEAT, 15MM
12	1	7776501	SHAFT, .625 X .406 X 1.200
13	8	3275004	BEARING, FLANGE, METRIC 15MM
14	2	7407501	PIN, LINK
15	3	7407502	PIN, LINK
16	10	3232401	RING, RETAINING, EXTERNAL
17	2	7776401	SPACER, FLANGE .406 X .495 X .81
18	6	0017-00101-1587	RVT 201X0413X.354 T NY NO
19	8	0017-00042-1147	GROMMET: SCREW; 8 OR 10
20	8	3275801	SCREW, 8 X 3/4 DIN PHL PAN AB ST ZB
21	8	3276202	SCREW, M8 X1.25 X 25MM
22	4	3251202	SCREW, M10 X1.5 X 25MM UNS HEX CS ST ZN
23	1	3275508	SCREW, M10 X 1.5 X 55 SHCS, LOW HEAD -NO PATCH
24	8	3239502	WSH, .312 IN-D ST ZN
25	4	3236601	WASHER, 3/8 SAE SS
26	1	3236801	NUT, M10 HEX NYLOCK SS
27	1	3110010	ROLL PIN, 1/8 X 7/8
28	1	9485701	PAINT GUARD, PIN HOUSING
29	1	9480801	LABEL; SEAT POSITION, SMALL

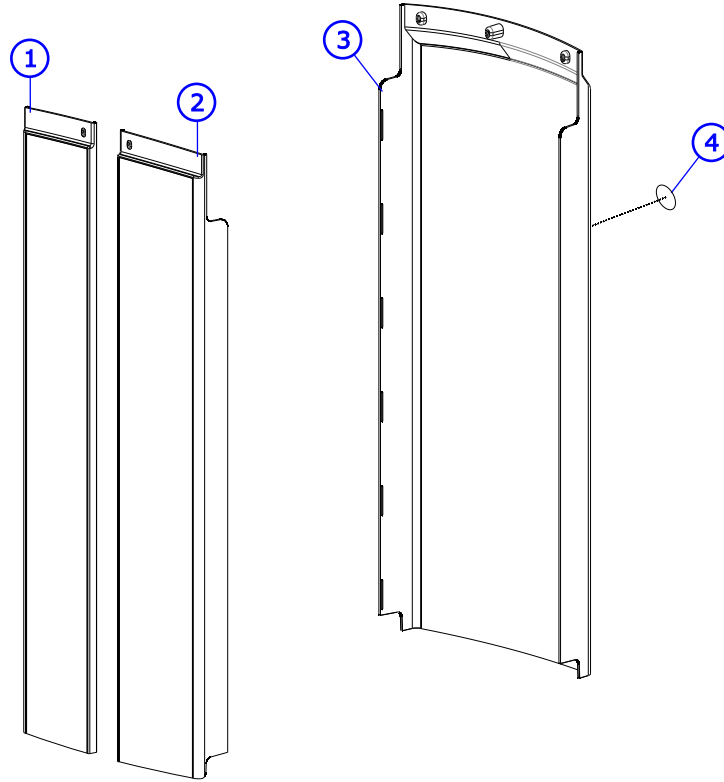
Insignia Series Row Tower Plastics



ITEM NO.	QTY.	PART NO.	DESCRIPTION
1	1	9410801	COVER, TOWER BOTTOM -FRONT
2	1	9411001	COVER, TOWER BOTTOM -REAR
3	2	9412701	ASSY, TRAP TUBE, CAP, BOTTOM
4	2	9415701	COVER, UPPER CROSS MEMBER
5	2	9415801	GASKET, TRAP TUBE
6	13	3275801	SCREW, 8 X 3/4 DIN PHL PAN AB ST ZB
7	4	0017-00101-1587	RVT 201X0413X.354 T NY NO
8	11	0017-00042-1147	GROMMET: SCREW; 8 OR 10
9	1	9410601	SHROUD, TOWER FRONT, LT - SHORT
10	1	9410701	SHROUD, TOWER FRONT, RT - SHORT
11	1	9411101	SHROUD, TOWER REAR - SHORT
12	2	9414601	SHROUD EXTRUSION - SHORT
13	1	9489101	LABEL, LIFE FITNESS

Insignia Series Row

Shroud Wraps

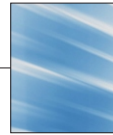


ITEM	QTY.	PART NO.	DESCRIPTION
1	1	9511802	SHROUD, SS, FNT, LT, SRT-BAM
2	1	9511702	SHROUD, SS, FNT, RT, SRT-BAM
3	1	9511902	SHROUD, SS, REAR, SRT-BAM
4	1	AK58-00245-2401	MEDALLION-ASSY;LF-BUG B



BAMBOO

ITEM	QTY.	PART NO.	DESCRIPTION
1	1	9511803	SHROUD, SS, FNT, LT, SRT-SKY
2	1	9511703	SHROUD, SS, FNT, RT, SRT-SKY
3	1	9511903	SHROUD, SS, REAR, SRT-SKY
4	1	AK58-00245-2401	MEDALLION-ASSY;LF-BUG B



SKY

ITEM	QTY.	PART NO.	DESCRIPTION
1	1	9511804	SHROUD, SS, FNT, LT, SRT-BRZ
2	1	9511704	SHROUD, SS, FNT, RT, SRT-BRZ
3	1	9511904	SHROUD, SS, REAR, SRT-BRZ
4	1	AK58-00245-2401	MEDALLION-ASSY;LF-BUG B



BRONZE

ITEM	QTY.	PART NO.	DESCRIPTION
1	1	9511805	SHROUD, SS, FNT, LT, SRT-STM
2	1	9511705	SHROUD, SS, FNT, RT, SRT-STM
3	1	9511905	SHROUD, SS, REAR, SRT-STM
4	1	AK58-00245-2401	MEDALLION-ASSY;LF-BUG B



STEM

ITEM	QTY.	PART NO.	DESCRIPTION
1	1	9511806	SHROUD, SS, FNT, LT, SRT-RSW
2	1	9511706	SHROUD, SS, FNT, RT, SRT-RSW
3	1	9511906	SHROUD, SS, REAR, SRT-RSW
4	1	AK58-00245-2401	MEDALLION-ASSY;LF-BUG B



ROSEWOOD

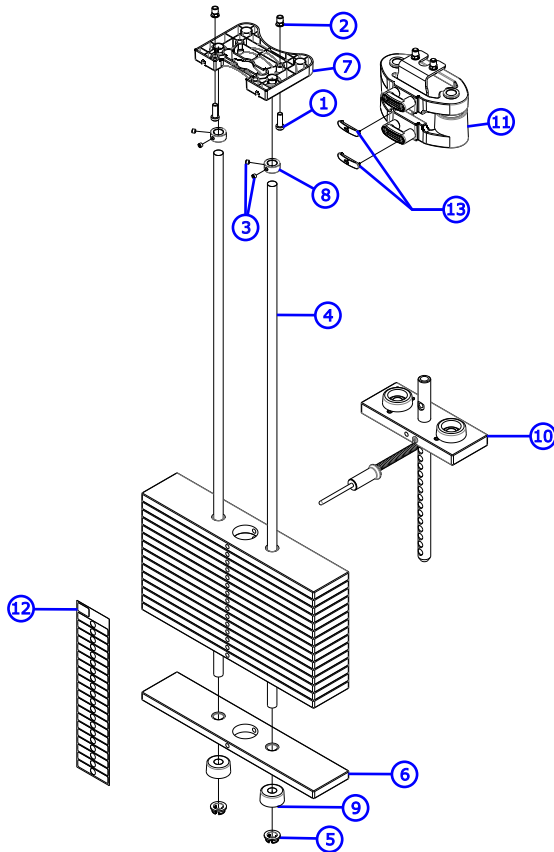
ITEM	QTY.	PART NO.	DESCRIPTION
1	1	9511807	SHROUD, SS, FNT, LT, SRT-SS
2	1	9511707	SHROUD, SS, FNT, RT, SRT-SS
3	1	9511907	SHROUD, SS, REAR, SRT-SS
4	1	AK58-00245-2401	MEDALLION-ASSY;LF-BUG B



STAINLESS STEEL

Insignia Series Chest Row Weight Stack Assemblies

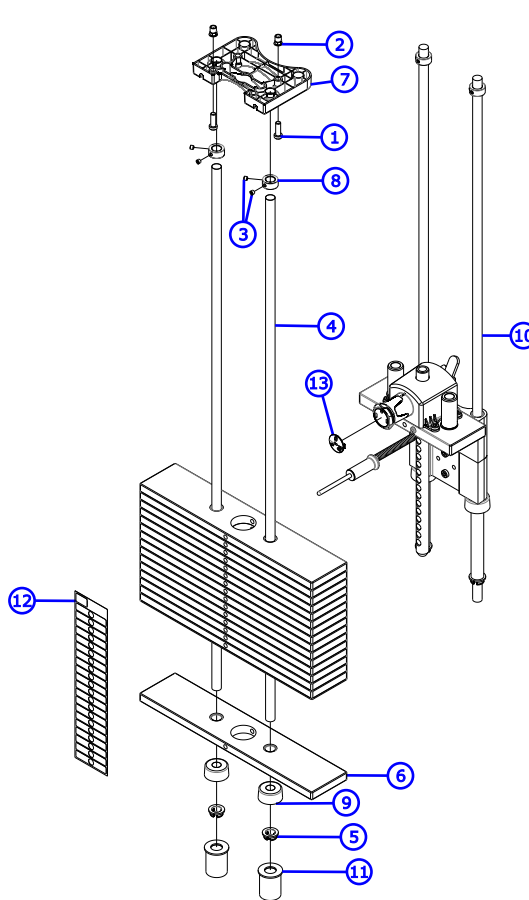
T Trim



Uses 9423503 Cable (178.75")

ITEM NO.	QTY.	PART NO.	DESCRIPTION
1	2	3236203	SCREW, M10 X1.5 30MM
2	2	3238601	M10X1.5 BLIND THREADED INSERT (HEX)
3	4	3242901	SCREW, SET BO
4	2	7328612	GUIDE ROD, .75 OD SOLID 50.36
5	2	7337901	BUSHING, GUIDE ROD
6	16	9407601	WGT PL, 3/4IN X 4IN, 15 LB
7	1	9412801	RETAINER, GUIDE ROD - TOP
8	2	9462901	SHAFT COLLAR, 3/4 IN ID
9	2	7352101	CUSHION, WEIGHT STACK
10	1	SEE PAGE 13	HEAD PLATE ASSY
11	1	SEE PAGE 13	INCREMENTAL WEIGHTS
12	1	9475301	LABEL, 3/4 IN WGT STACK, 295 LB
		9475201	LABEL, 3/4 IN WGT STACK, 147.5 KG
13	2	9462303	CAP, DD INC WGT, YEL -LBS
		9462403	CAP, DD INC WGT, YEL -KG

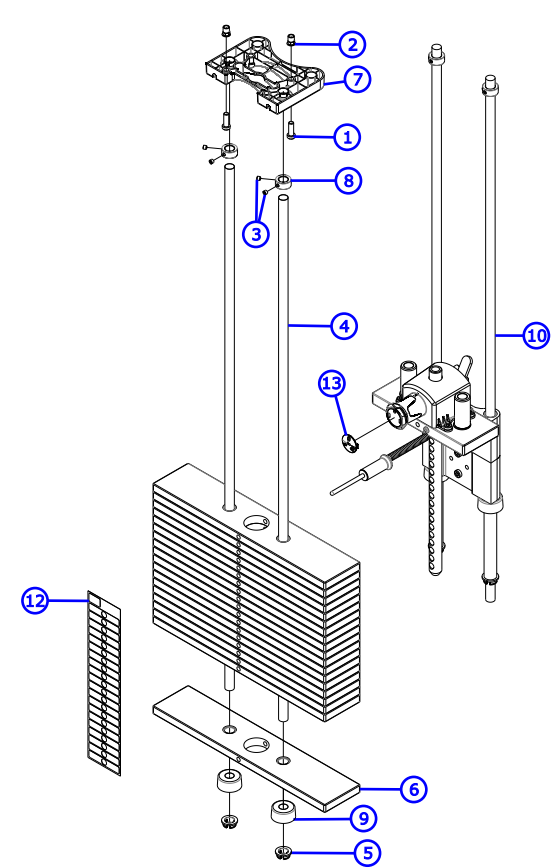
C Trim



Uses 9423504 Cable (176.5")

ITEM NO.	QTY.	PART NO.	DESCRIPTION
1	2	3236203	SCREW, M10 X1.5 30MM
2	2	3238601	M10X1.5 BLIND THREADED INSERT (HEX)
3	4	3242901	SCREW, SET BO
4	2	7328612	GUIDE ROD, .75 OD SOLID 50.36
5	2	7337901	BUSHING, GUIDE ROD
6	16	9407601	WGT PL, 3/4IN X 4IN, 15 LB
7	1	9412801	RETAINER, GUIDE ROD - TOP
8	2	9462901	SHAFT COLLAR, 3/4 IN ID
9	2	7352101	CUSHION, WEIGHT STACK
10	1	SEE PAGE 15	HEAD PLATE/RODS ASSY
12	1	9495912	WLDMT, WGT STK SPACER X 2.25 -CHR
		9475301	LABEL, 3/4 IN WGT STACK, 295 LB
		9475201	LABEL, 3/4 IN WGT STACK, 147.5 KG
13	1	9431403	CAP, SELECTOR KNOB -LBS
		9450103	CAP, SELECTOR KNOB -KGS

X Trim



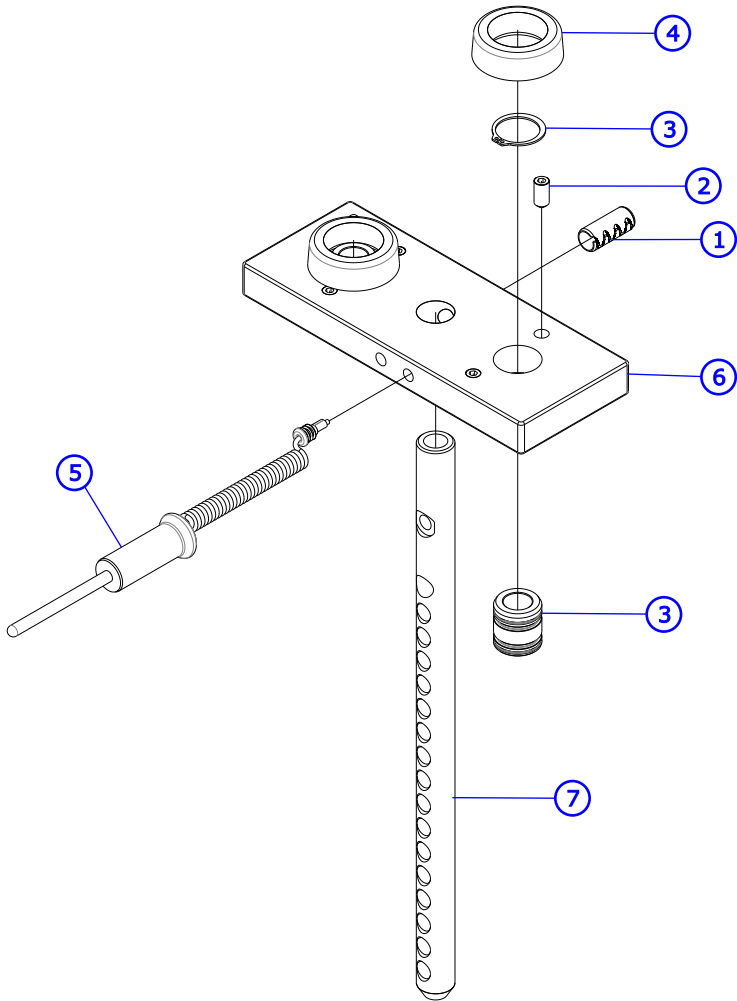
Uses 9423504 Cable (176.5")

ITEM NO.	QTY.	PART NO.	DESCRIPTION
1	2	3236203	SCREW, M10 X1.5 30MM
2	2	3238601	M10X1.5 BLIND THREADED INSERT (HEX)
3	4	3242901	SCREW, SET BO
4	2	7328612	GUIDE ROD, .75 OD SOLID 50.36
5	2	7337901	BUSHING, GUIDE ROD
6	19	9407601	WGT PL, 3/4IN X 4IN, 15 LB
7	1	9412801	RETAINER, GUIDE ROD - TOP
8	2	9462901	SHAFT COLLAR, 3/4 IN ID
9	2	7352101	CUSHION, WEIGHT STACK
10	1	SEE PAGE 15	HEAD PLATE/RODSASSY
11	1	9475301	LABEL, 3/4 IN WGT STACK, 295 LB
		9475201	LABEL, 3/4 IN WGT STACK, 147.5 KG
		9431403	CAP, SELECTOR KNOB -LBS
12	1	9450103	CAP, SELECTOR KNOB -KGS

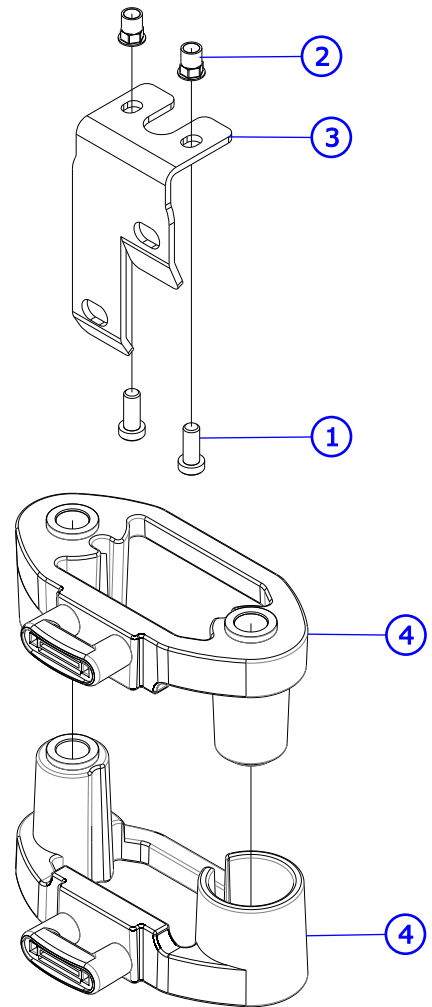
Insignia Series Chest Row

T Trim Head Plate and Drop Down Increment Weights

T Trim



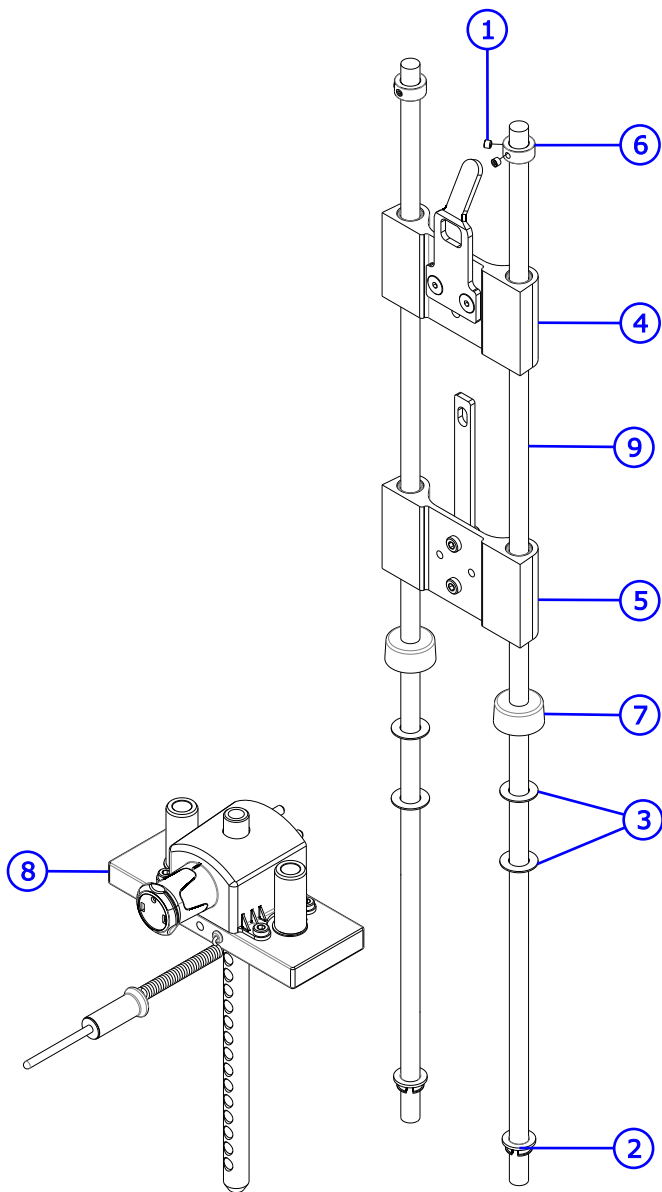
ITEM NO.	QTY.	PART NO.	DESCRIPTION
1	1	3236001	BUSHING, SPRING PIN
2	4	3240501	M10 X 1.5 HXS NO CUP ST BO
3	2	7338001	BUSHING, HEADPLATE
4	2	7767602	BUMPER, INCREMENT WT - BLK
5	1	9427003	ASSY, WGT STK SELECTOR PIN -YELLOW
6	1	9427401	HEADPLATE, WT. STACK, 10LB
7	1	9434202	BAYONET, 16 PLATE



ITEM NO.	QTY.	PART NO.	DESCRIPTION
1	2	3236202	SCREW, M10 X1.5 25MM
2	2	3238601	M10X1.5 BLIND THREADED INSERT (HEX)
3	1	9430801	BRKT, INC WGT STRIKER
4	2	9455403	ASSY, DD INC WGT -YEL

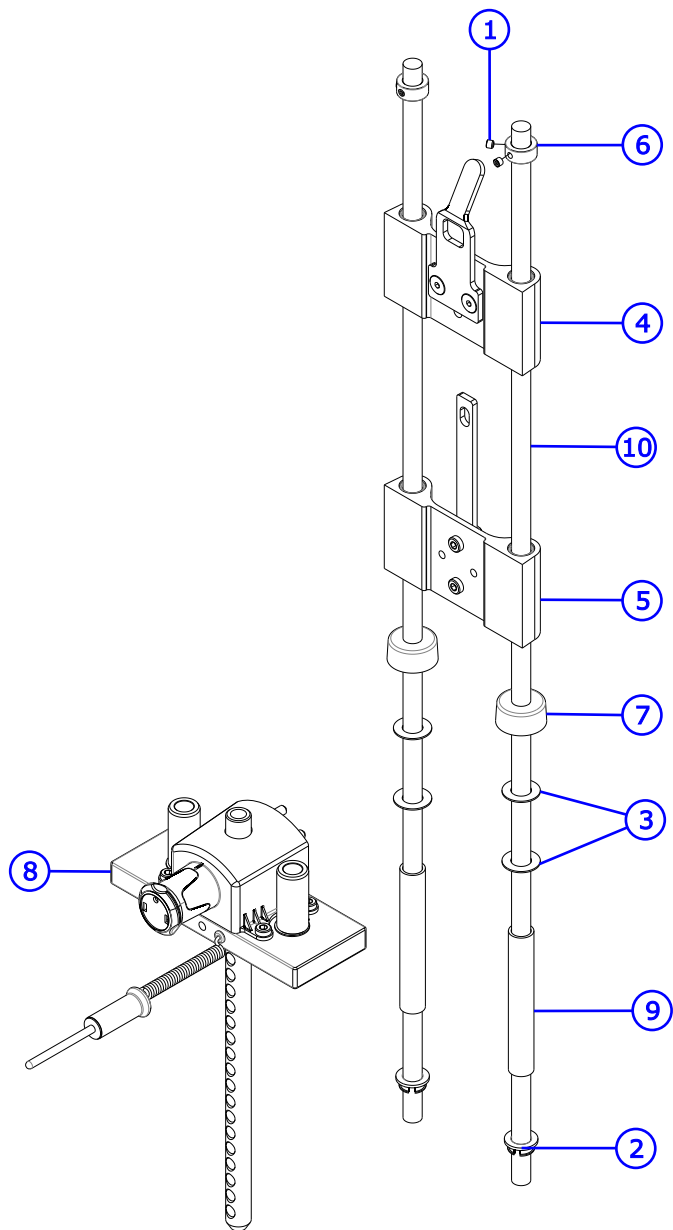
Insignia Series Row C and X Trim Stack Components

C Trim



ITEM NO.	QTY.	PART NO.	DESCRIPTION
1	4	3242901	SCREW, SET BO
2	2	7337901	BUSHING, GUIDE ROD
3	4	7351001	SPACER, INC WT STACK
4	1	SEE PAGE 15	ASSY, INC WGT -5LB
5	1	SEE PAGE 15	ASSY, INC WGT -10LB
6	2	9462901	SHAFT COLLAR, 3/4 IN ID
7	2	7352101	CUSHION, WEIGHT STACK
8	1	SEE PAGE 16	ASSY, SS, HEAD PLATE, DIAL, STD -16
9	2	7328612	GUIDE ROD, .75 OD SOLID X 50.36

X Trim

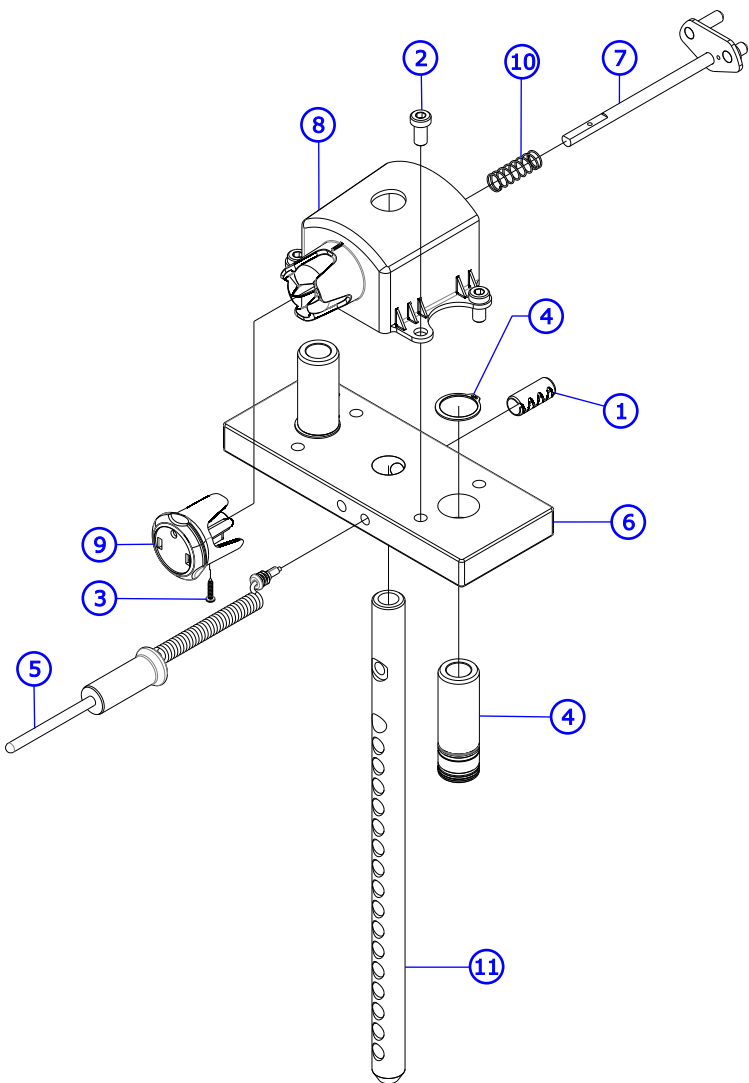


ITEM NO.	QTY.	PART NO.	DESCRIPTION
1	4	3242901	SCREW, SET BO
2	2	7337901	BUSHING, GUIDE ROD
3	4	7351001	SPACER, INC WT STACK
4	1	SEE PAGE 15	ASSY, INC WGT -5LB
5	1	SEE PAGE 15	ASSY, INC WGT -10LB
6	2	9462901	SHAFT COLLAR, 3/4 IN ID
7	2	7352101	CUSHION, WEIGHT STACK
8	1	SEE PAGE 16	ASSY, SS, HEAD PLATE, HVY -19
9	2	7328704	SPACER, INC WT STACK 19 PLATE
10	2	7328612	GUIDE ROD, .75 OD SOLID X 50.36

Insignia Series Row

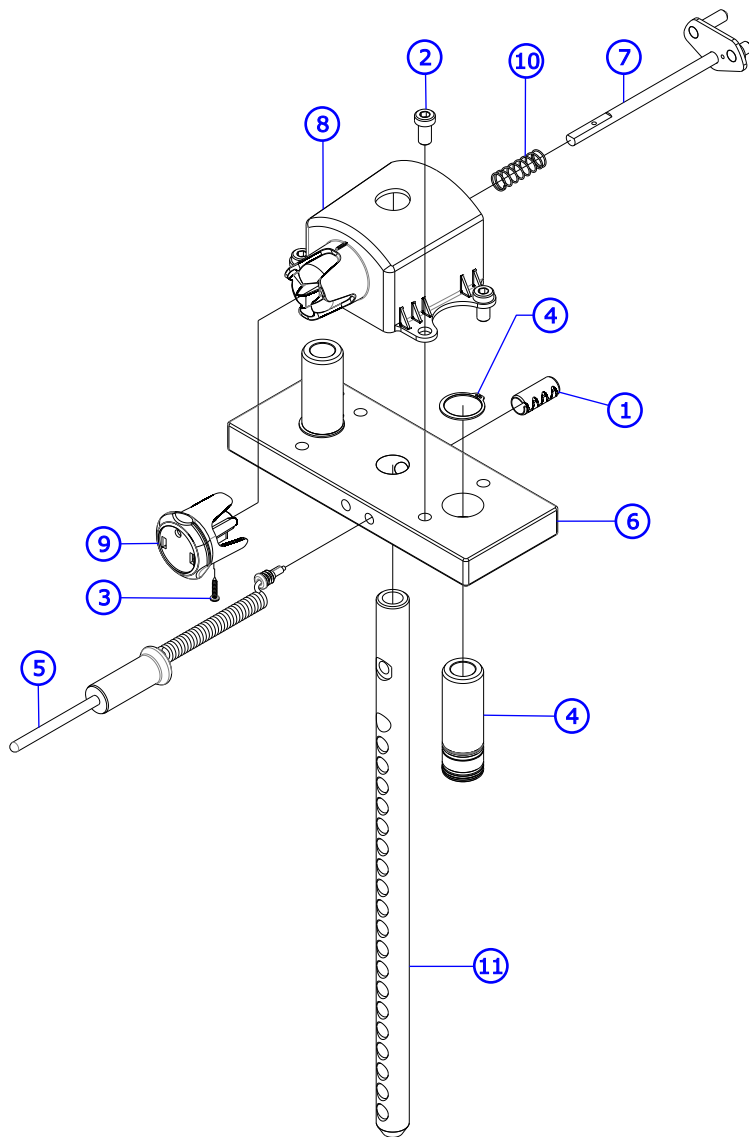
C and X Trim Head Plate Assemblies

C Trim



ITEM NO.	QTY.	PART NO.	DESCRIPTION
1	1	3236001	BUSHING, SPRING PIN
2	4	3236201	SCREW, M10 X1.5 20MM
3	1	3275601	SCREW, 6 X 3/4 DIN PHL PAN AB ST ZB
4	2	9296001	BUSHING, HEADPLATE, LONG
5	1	9427003	ASSY, WGT STK SELECTOR PIN -YELLOW
6	1	9427401	HEADPLATE, WT. STACK, 10LB
7	1	9427501	WLDMT, INC WGT PIN
8	1	9430501	HSNG, INC WEIGHT
9	1	9443201	KNOB, INC WEIGHT
10	1	9443301	SPRING, INC WGT PIN
11	1	9434202	BAYONET, 16 PLATE

X Trim

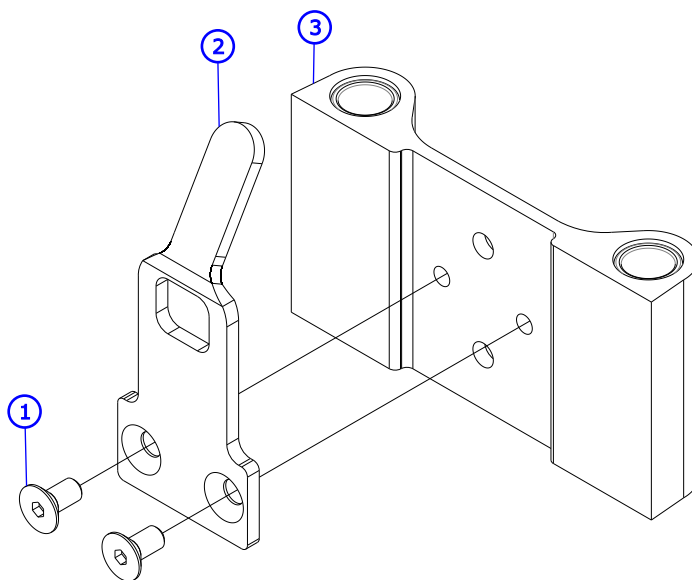


ITEM NO.	QTY.	PART NO.	DESCRIPTION
1	1	3236001	BUSHING, SPRING PIN
2	4	3236201	SCREW, M10 X1.5 20MM
3	1	3275601	SCREW, 6 X 3/4 DIN PHL PAN AB ST ZB
4	2	9296001	BUSHING, HEADPLATE, LONG
5	1	9427003	ASSY, WGT STK SELECTOR PIN -YELLOW
6	1	9427401	HEADPLATE, WT. STACK, 10LB
7	1	9427501	WLDMT, INC WGT PIN
8	1	9430501	HSNG, INC WEIGHT
9	1	9443201	KNOB, INC WEIGHT
10	1	9443301	SPRING, INC WGT PIN
11	1	9426002	BAYONET, 19 PLATE

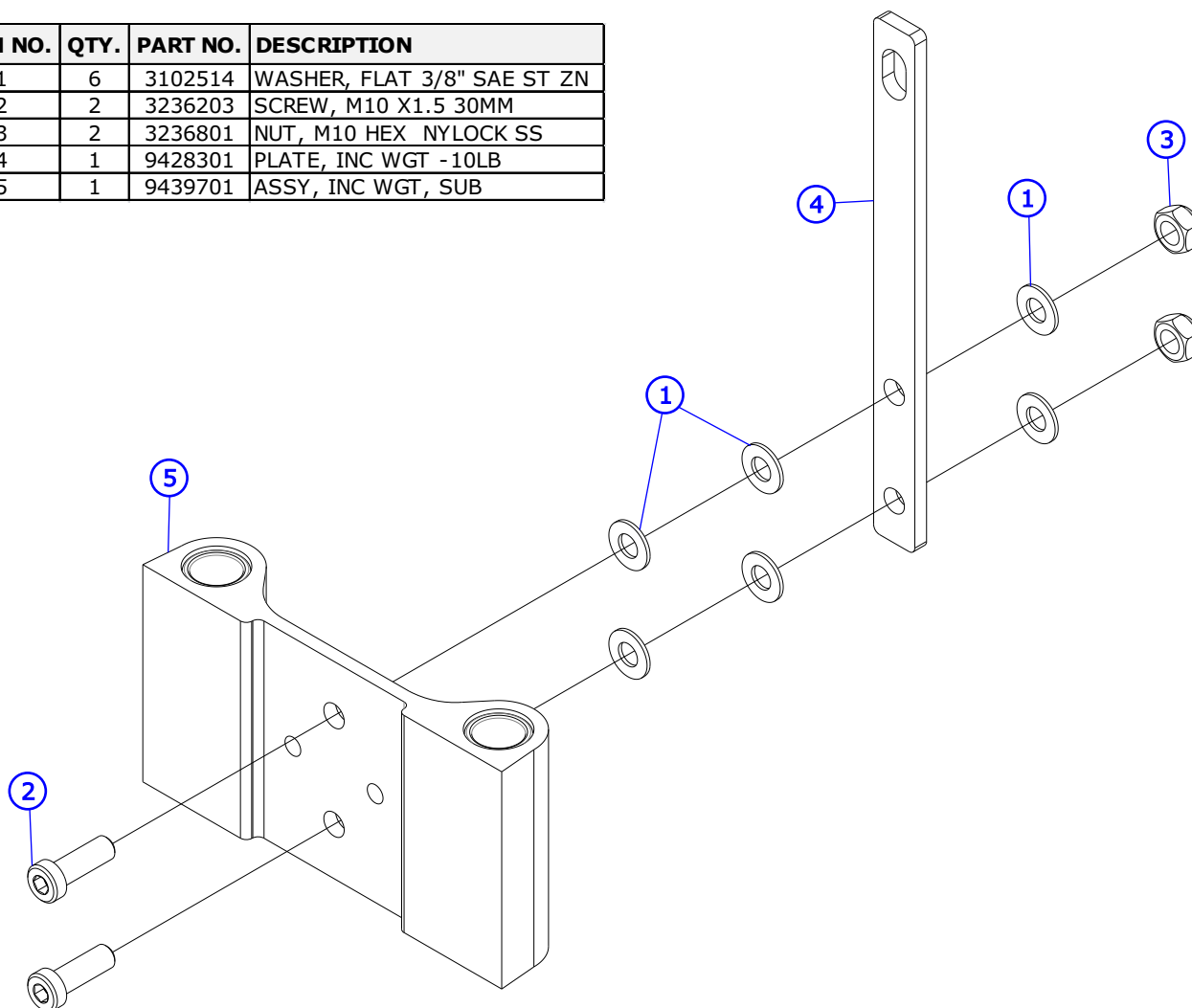
Insignia Series Row

C and X Trim Incremental Weights

ITEM NO.	QTY.	PART NO.	DESCRIPTION
1	2	3238301	M10x1.5x20mm
2	1	9428201	BRKT, INC WGT -5 LB
3	1	9439701	ASSY, INC WGT, SUB

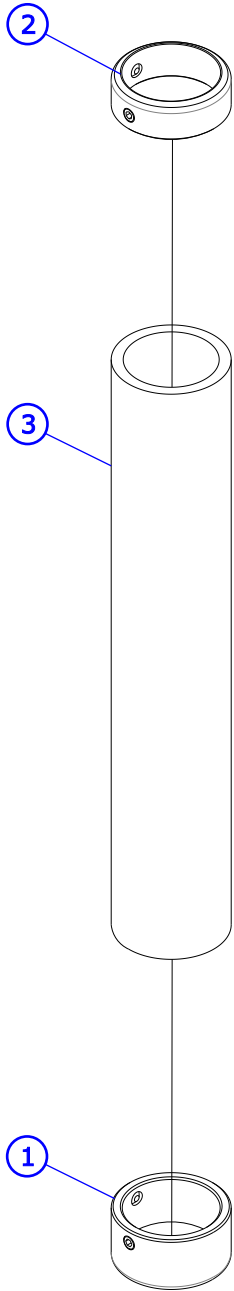


ITEM NO.	QTY.	PART NO.	DESCRIPTION
1	6	3102514	WASHER, FLAT 3/8" SAE ST ZN
2	2	3236203	SCREW, M10 X1.5 30MM
3	2	3236801	NUT, M10 HEX NYLOCK SS
4	1	9428301	PLATE, INC WGT -10LB
5	1	9439701	ASSY, INC WGT, SUB



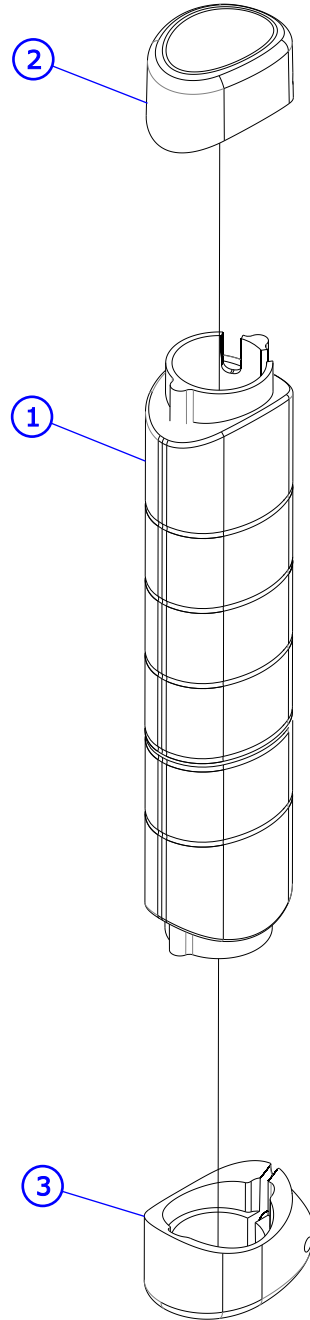
Insignia Series Row Grip Assemblies

S Trim



ITEM NO.	QTY.	PART NO.	DESCRIPTION
1	1	7662901	CAP, GRIP 1.25 OD
2	1	7662801	RING, GRIP
3	1	3235806	GRIP, 1.25 OD X .125 WALL, OPEN END

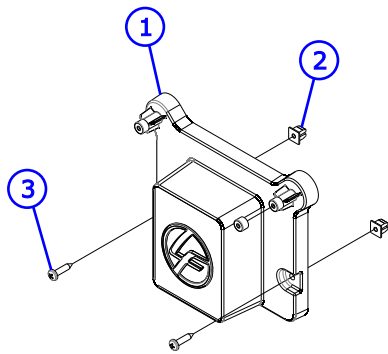
L Trim



ITEM NO.	QTY.	PART NO.	DESCRIPTION
1	1	9453002	GRIP, ERGO, OVERMOLD, 9.0
2	1	9498401	ASSY, CAP, GRIP
3	1	9498501	ASSY, COLLAR, ERGO GRIP

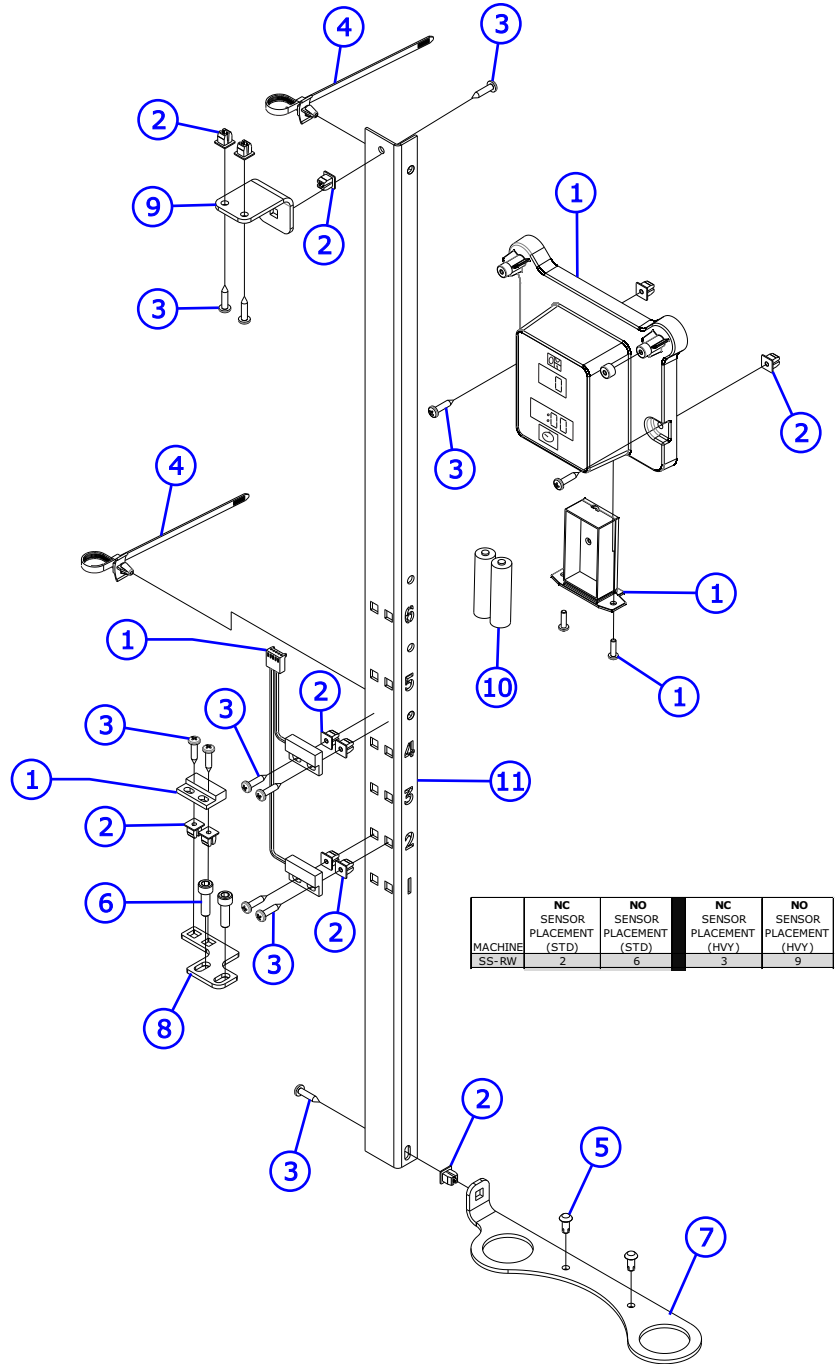
Insignia Series Row Sensor Assemblies

S Trim



ITEM NO.	QTY.	PART NO.	DESCRIPTION
1	1	9437401	SS - ASSY, DISPLAY, BASE
2	12	0017-00042-1147	GROMMET: SCREW; 8 OR 10
3	12	3275801	SCREW, 8 X 3/4 DIN PHL PAN AB ST ZB

L Trim



	NC SENSOR PLACEMENT (STD)	NO SENSOR PLACEMENT (STD)	NC SENSOR PLACEMENT (HVV)	NO SENSOR PLACEMENT (HVV)
MACHINE SS-RW	2	6	3	9

ITEM NO.	QTY.	PART NO.	DESCRIPTION
1	1	9484501	ASSY- SS REP COUNTER, CABLES, SENSORS
2	12	0017-00042-1147	GROMMET: SCREW; 8 OR 10
3	12	3275801	SCREW, 8 X 3/4 DIN PHL PAN AB ST ZB
4	2	3276101	GROMMET, CABLE TIE
5	2	0017-00101-1587	RVT 201X0413X.354 T NY NO
6	2	3241701	SCREW, M6 X1 20MM
7	1	9432728	BRKT, SS, SWITCH MNT -CHGR
8	1	9434728	PLATE, SS, MAGNET
9	1	9434828	BRKT, SS, SWITCH MNT
10	2	-	BATTERY, AA
11	1	9434628	BRKT, SS, SWITCH MNT, STD -CHR