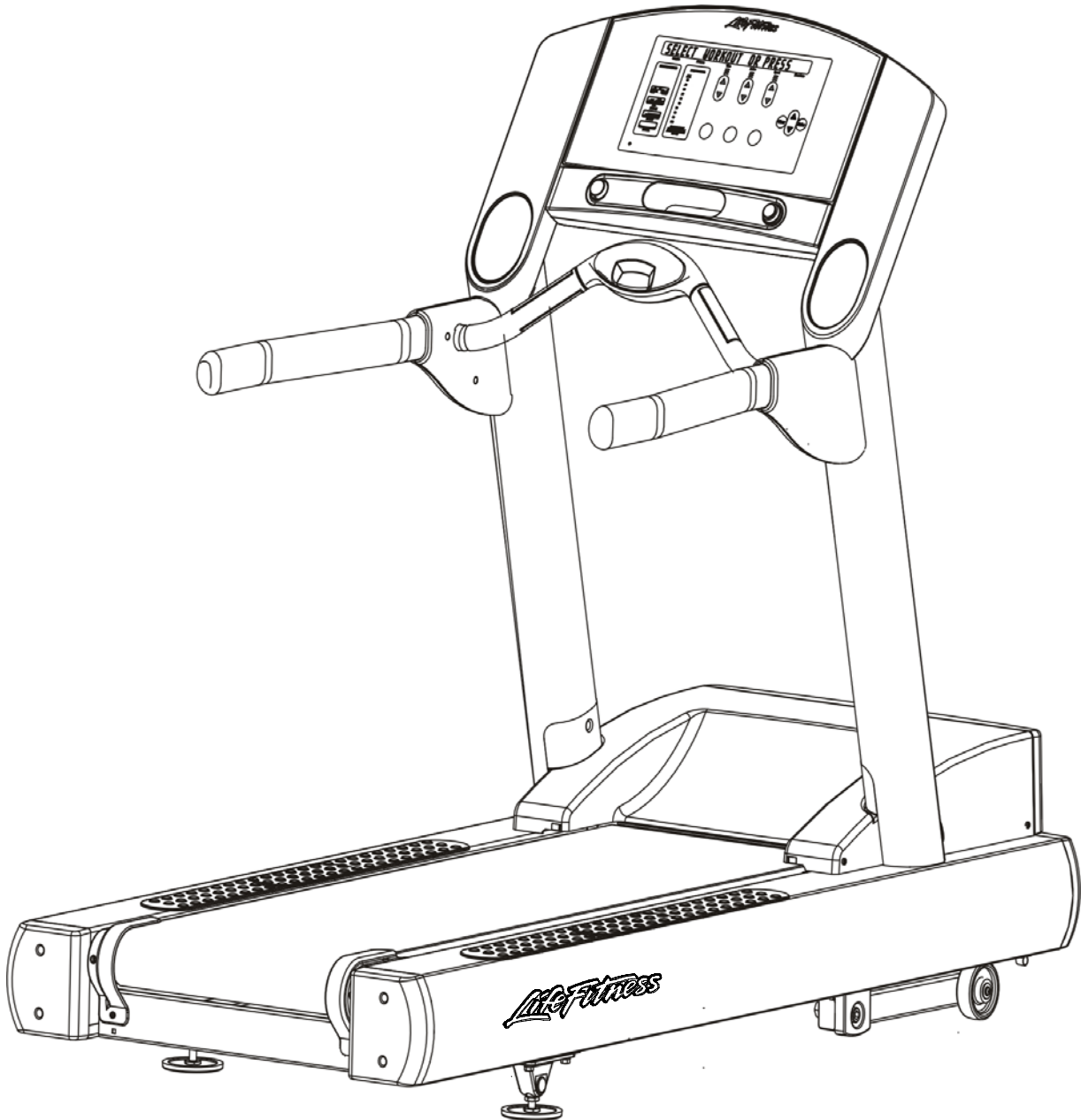


4  
**LifeFitness**  
**Arctic Silver 93T ROHR Treadmill**



**Customer Support Services**  
**PARTS MANUAL** rev. 17 APR 2007

**ARCTIC SILVER 93T ROHR**  
**REFERENCES**

**93T-0XXX-04**  
**S/N THH100000 and up**

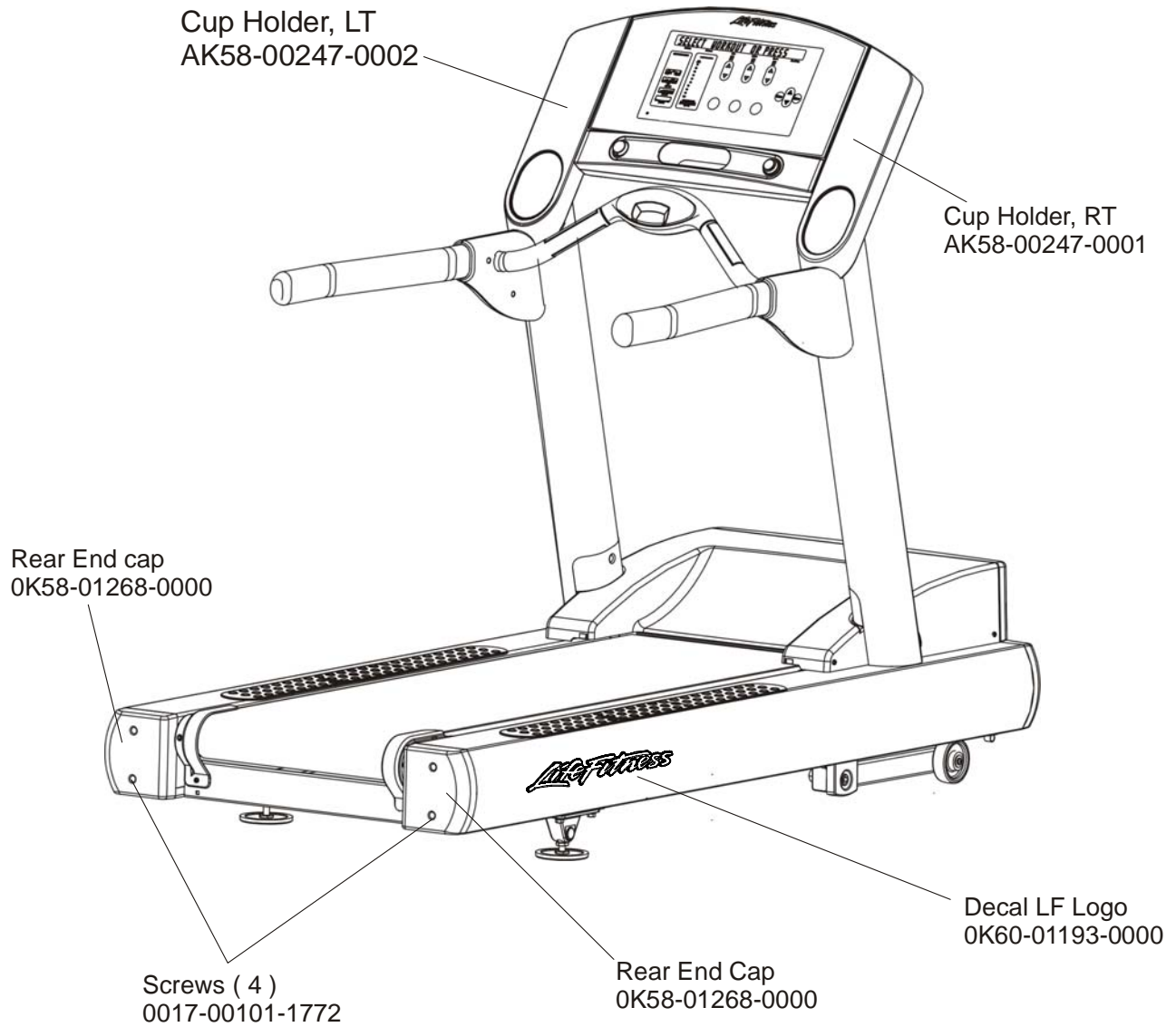
---

|   |   |
|---|---|
| OPERATION MANUAL  | M051-00K58-A215                                       |
| SERVICE MANUAL  | M051-00K58-A159                                       |
| HARDWARE BAG  | AK58-00227-0000                                       |
| TOUCH UP PAINT:<br>SPRAY CAN<br>.5 OZ BOTTLE W/APPLICATOR<br>.33 OZ PEN | 0017-00008-0204<br>0017-00008-0205<br>0017-00008-0206 |
| INSTALLATION VIDEO  | M051-00K58-A098                                       |
| SERVICE VIDEO   | M051-00K58-A099                                       |

|   | Page |
|---|------|
| REAR ENDCAPS AND CUP HOLDERS .....          | 4    |
| SCUFF PAD, TINSEL AND FRAME TAG BOARD ..... | 5    |
| CONSOLE AND RELATED COMPONENTS.....         | 6    |
| UPRIGHTS, HAND RAILS AND ERGO BAR .....     | 7    |
| ERGO BAR WITH LIFE PULSE.....               | 8    |
| MOTOR COVER, FRONT COVER AND ENDCAPS .....  | 9    |
| BELT, DECK AND REAR ROLLER.....             | 10   |
| LIFT FRAME AND MOTOR .....                  | 11   |
| WAX/LIFT ASSEMBLY .....                     | 12   |
| MOTOR CONTROLLER ASSEMBLY.....              | 13   |
| DRIVE MOTOR ASSEMBLY .....                  | 14   |
| IDLER ARM ASSEMBLY AND STATIC BRUSH.....    | 15   |
| LEG LEVELER ASSEMBLY .....                  | 16   |
| FRONT ROLLER ASSEMBLY .....                 | 17   |
| POWER COMPONENTS SCHEMATIC .....            | 18   |
| CABLES .....                                | 19   |

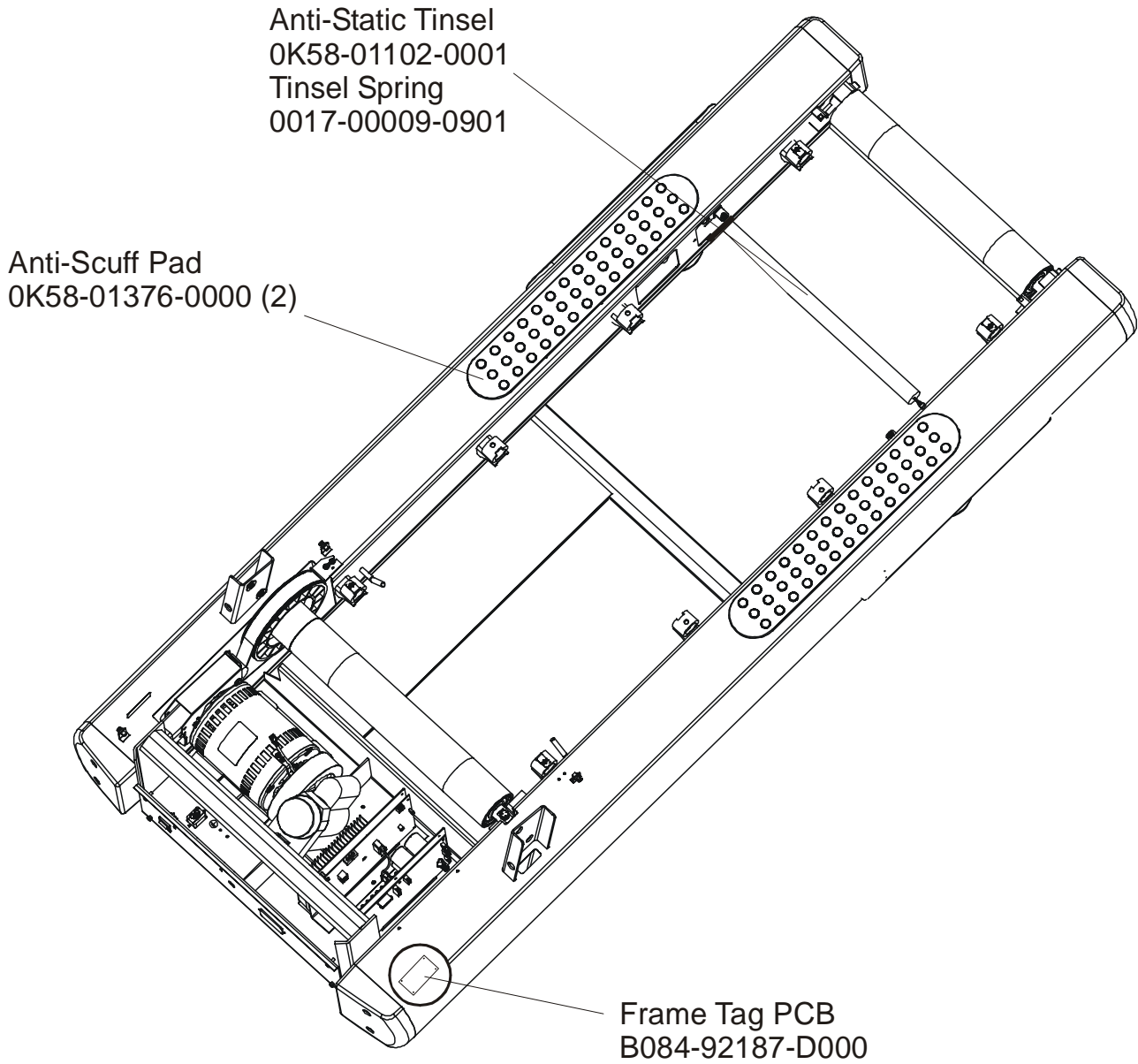
**ARCTIC SILVER 93T ROHR**  
**Rear End Caps and Cup Holders**

**93T-0XXX-04**  
**S/N THH100000 and up**



**ARCTIC SILVER 93T ROHR**  
**Scuff Pad, Tinsel and Frame Tag Bd.**

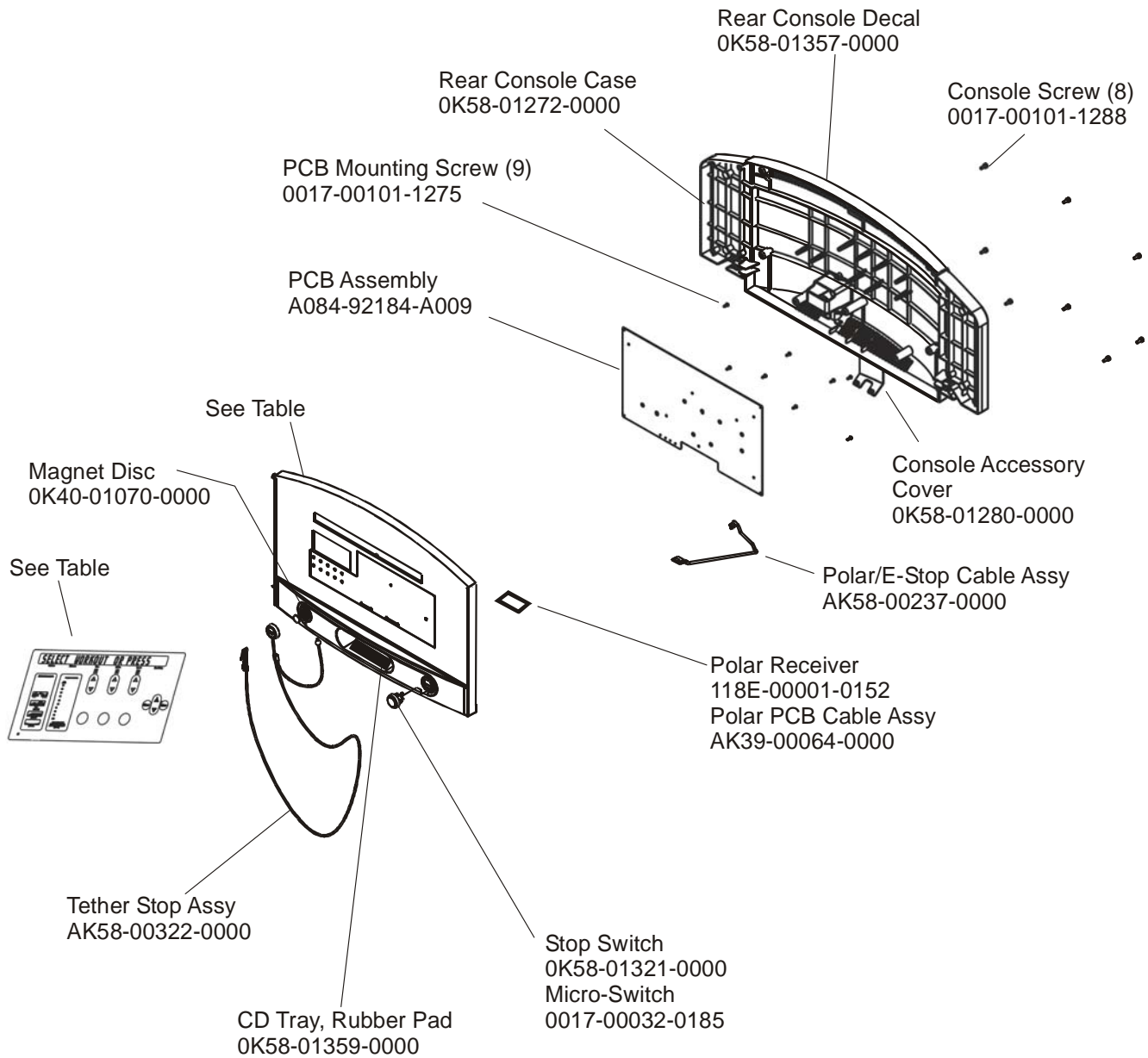
**93T-0XXX-04**  
**S/N THH100000 and up**



# ARCTIC SILVER 93T ROHR

## Console and Related Components

93T-0XXX-04  
S/N THH100000 and up

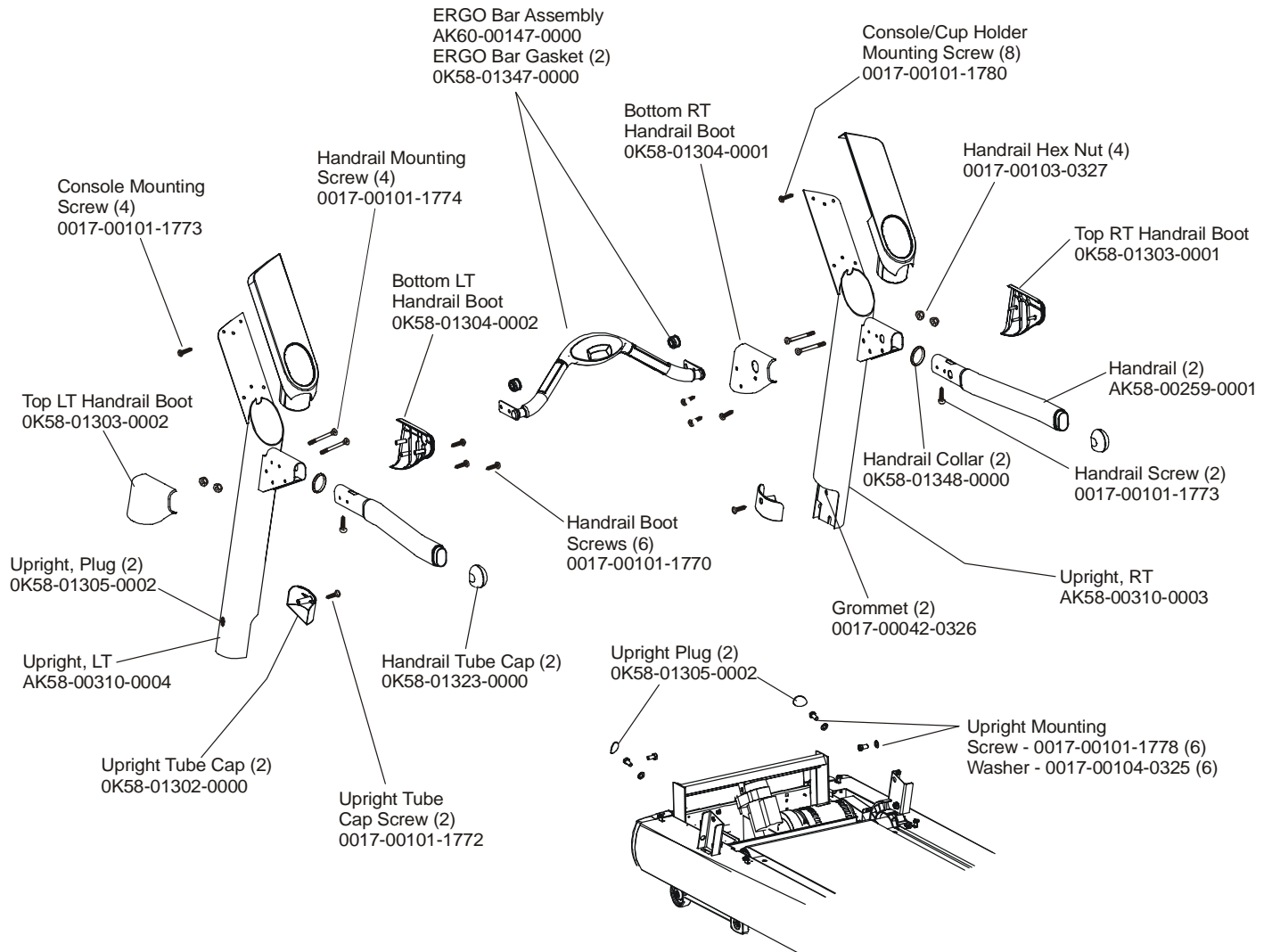


| Console Assembly | Overlay/Bezel/Switch Assy. | Language |
|------------------|----------------------------|----------|
| AK58-00481-0001  | AK58-00526-0001            | Eng/Eng  |
| AK58-00481-0002  | AK58-00526-0001            | Eng/Met  |
| AK58-00481-0004  | AK58-00526-0004            | Spanish  |
| AK58-00481-0007  | AK58-00526-0007            | French   |

# ARCTIC SILVER 93T ROHR

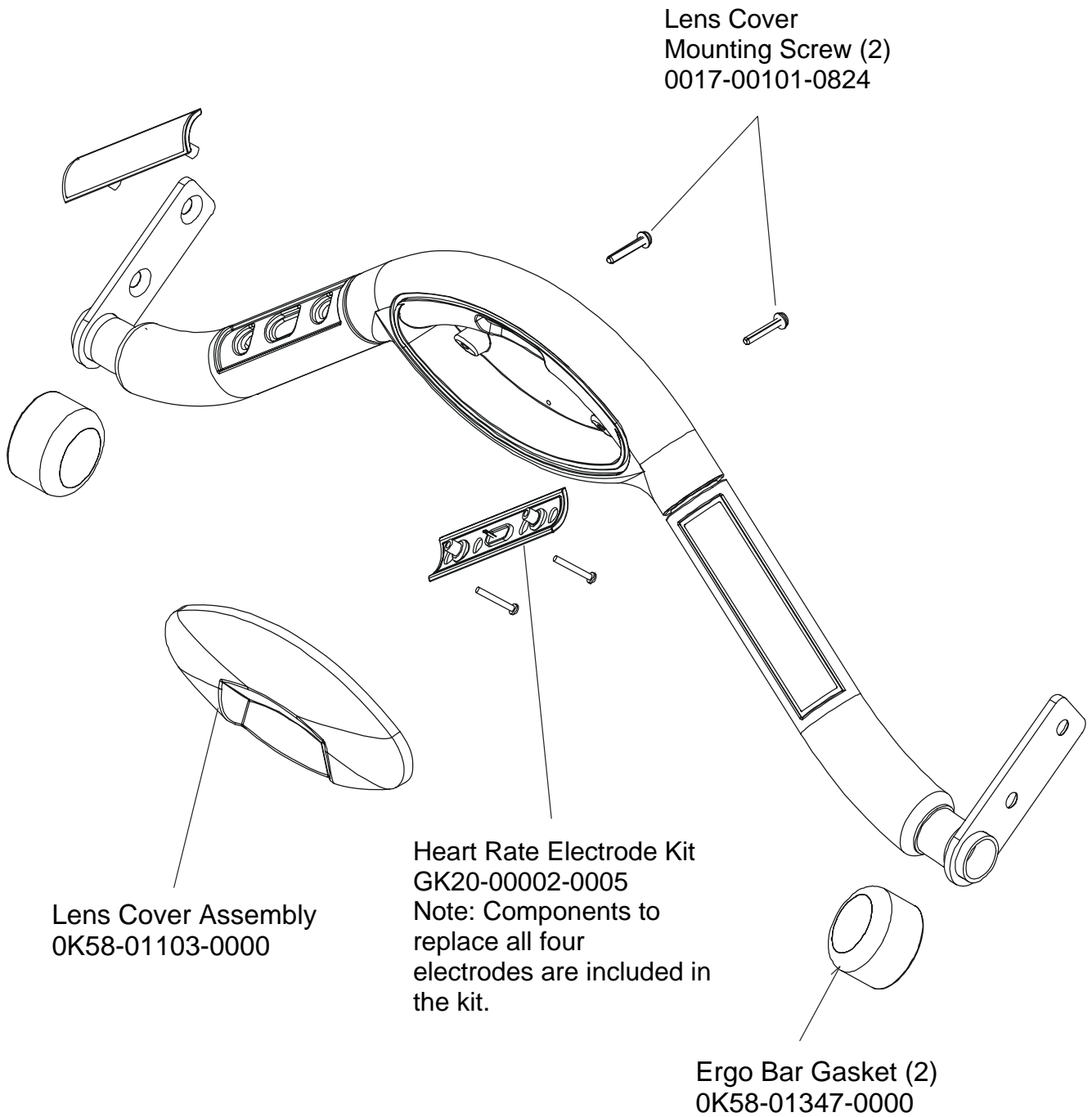
## Uprights, Handrails and Ergo Bar

93T-0XXX-04  
S/N THH100000 and up



**ARCTIC SILVER 93T ROHR**  
**Ergo Bar W/Lifepulse**

**93T-0XXX-04**  
**S/N THH100000 and up**

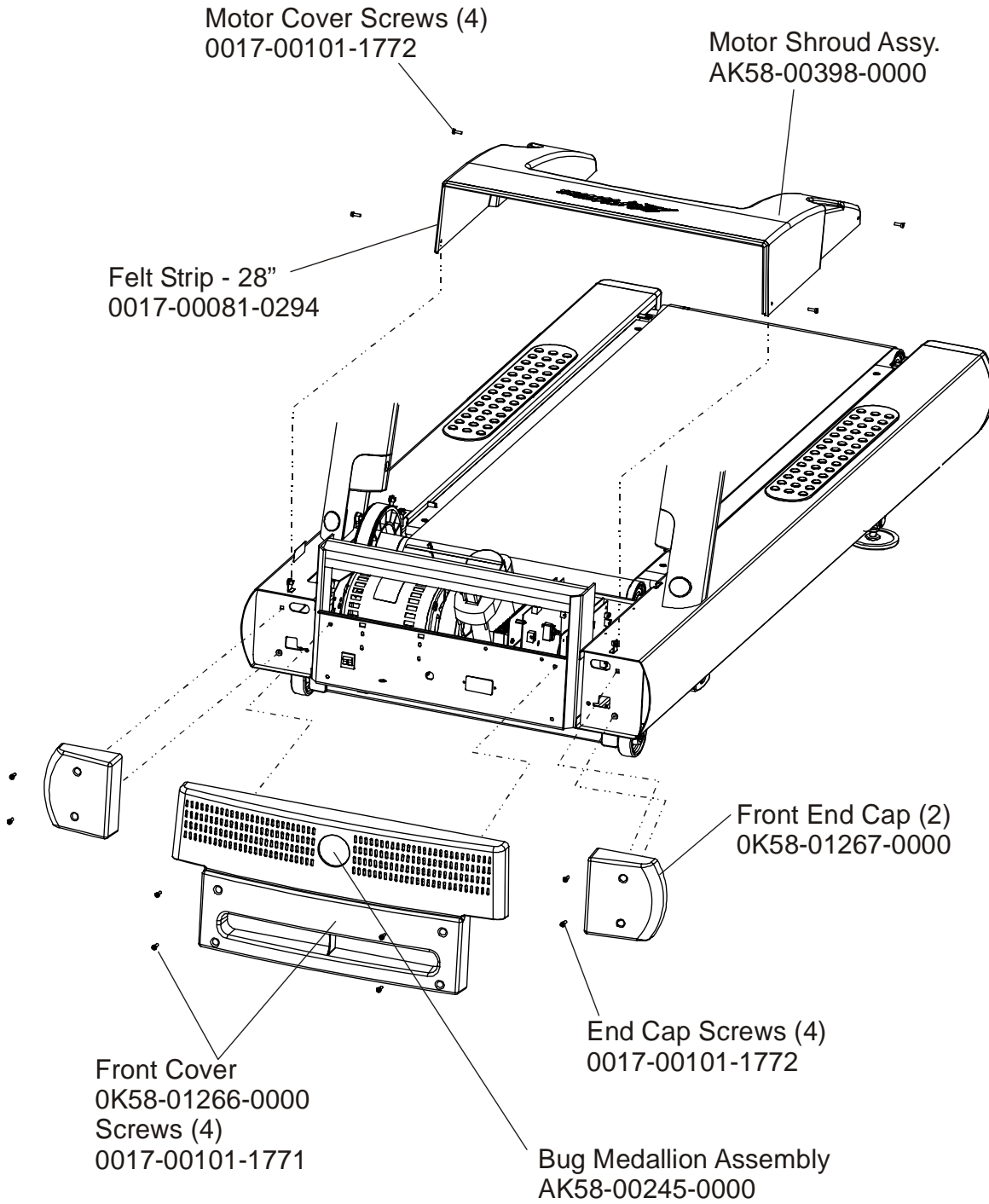


# ARCTIC SILVER 93T ROHR

93T-0XXX-04

## Motor Cover, Front Cover and Front End Caps

S/N THH100000 and up

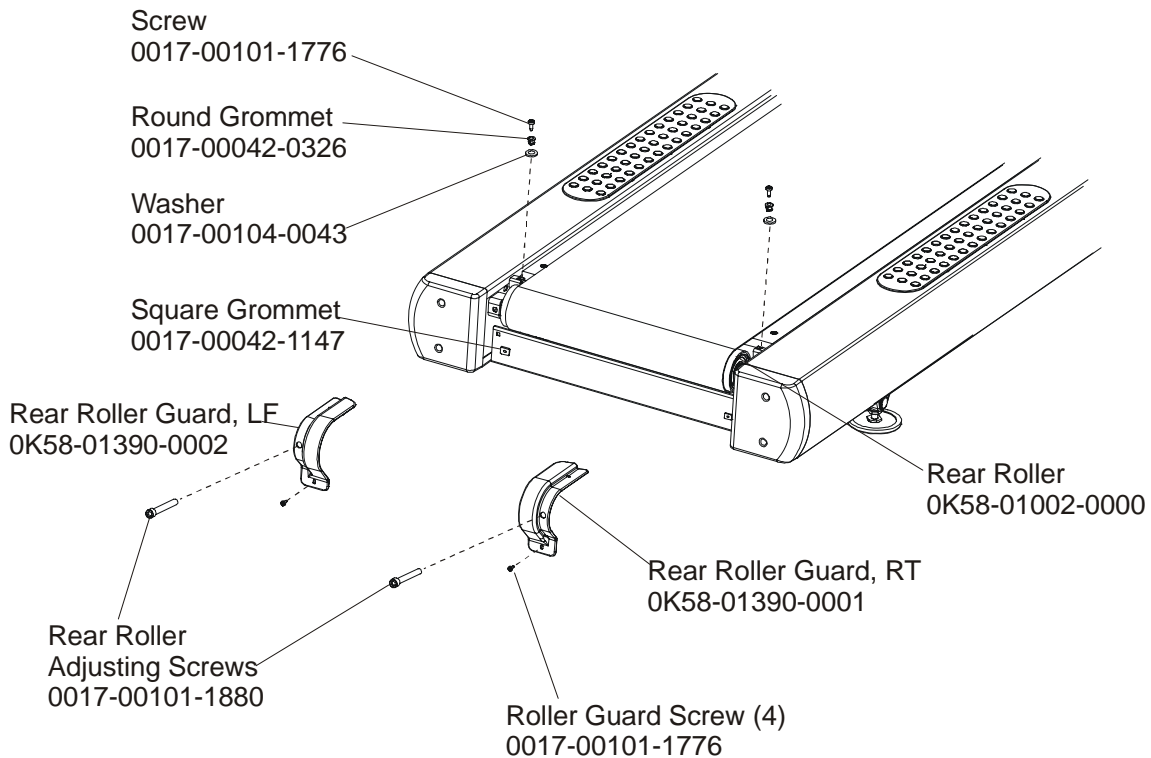
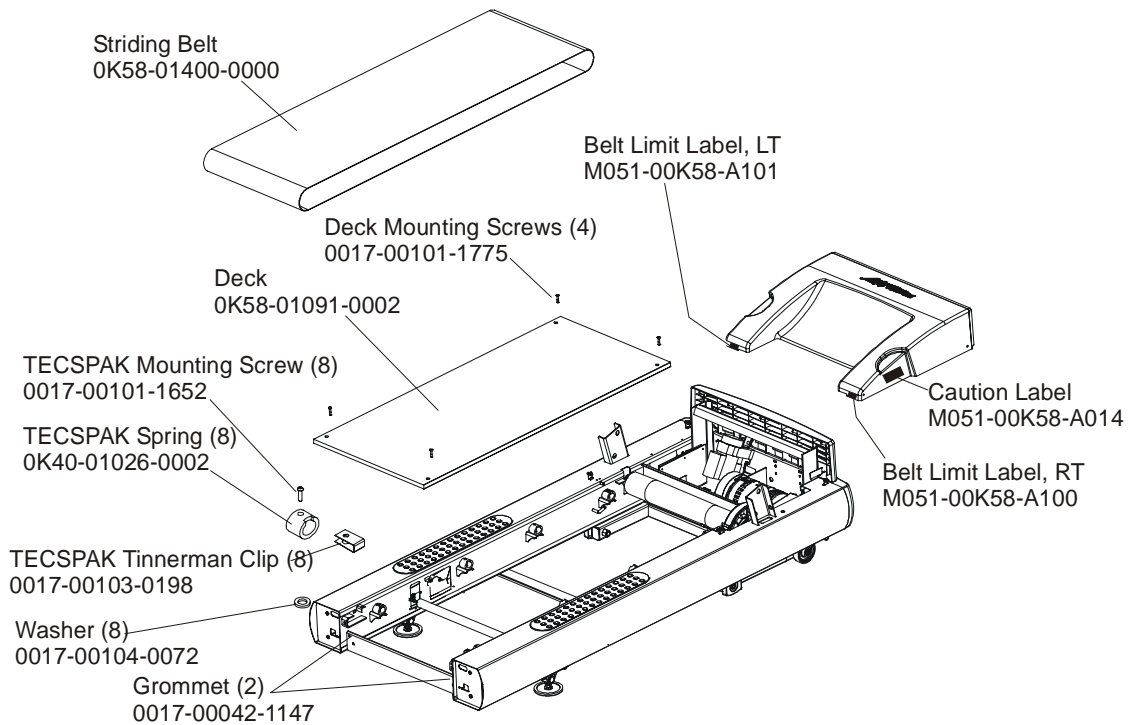


# ARCTIC SILVER 93T ROHR

## Belt, Deck, and Rear Roller

93T-0XXX-04

S/N THH100000 and up

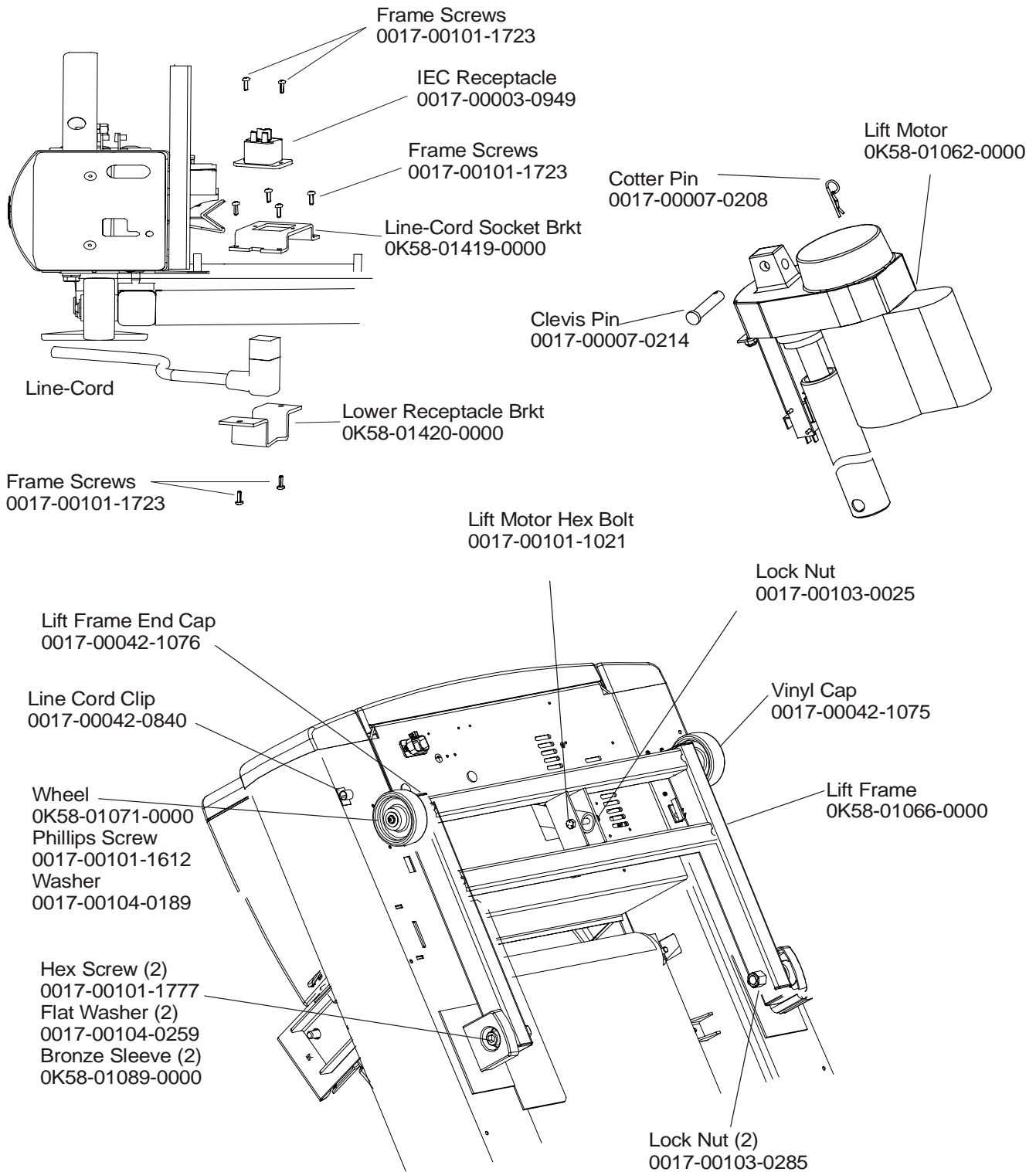


# ARCTIC SILVER 93T ROHR

## Lift Frame and Lift Motor

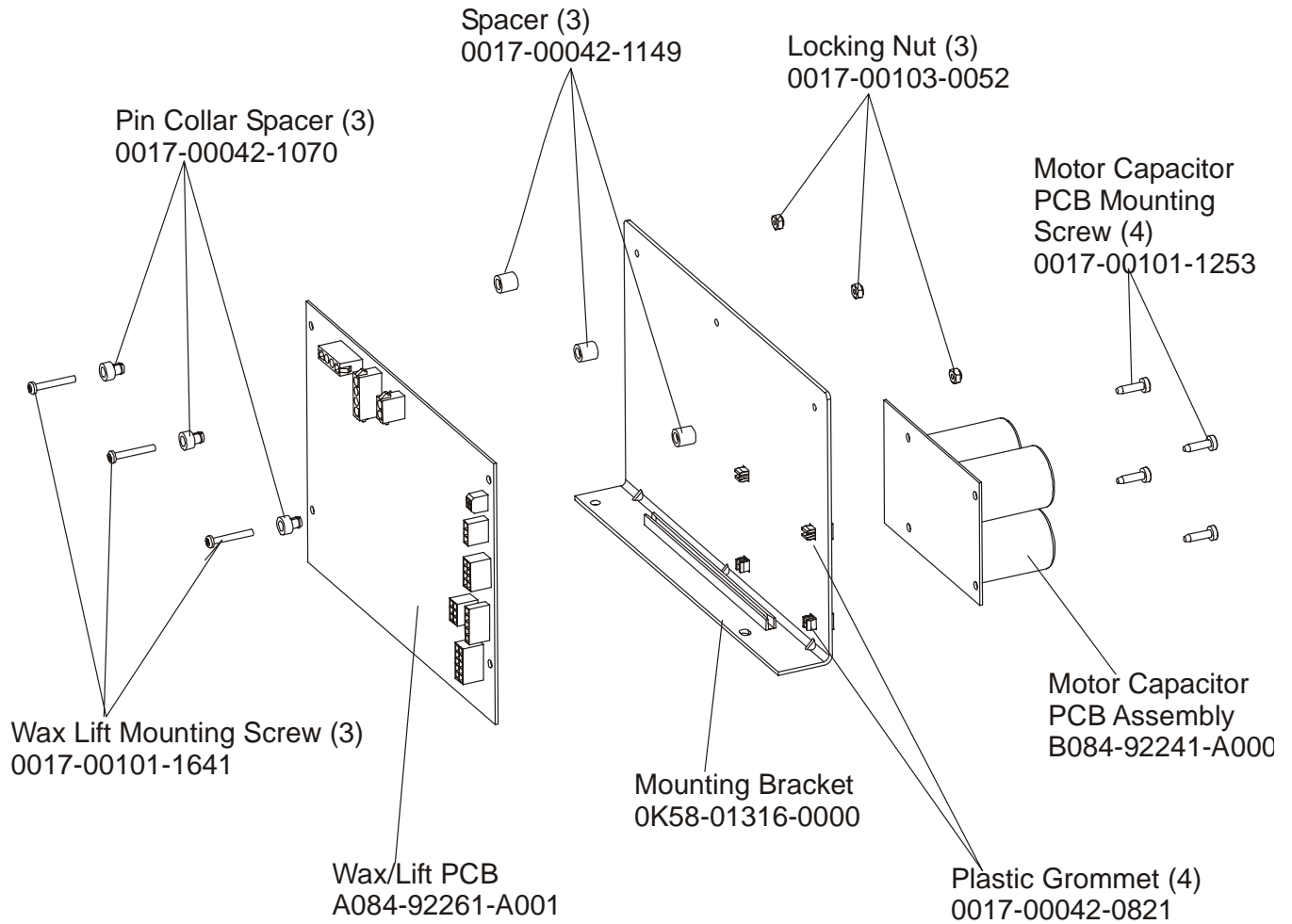
93T-0XXX-04

S/N THH100000 and up



**ARCTIC SILVER 93T ROHR**  
**Wax/Lift Assembly—AK58-00243-0000**

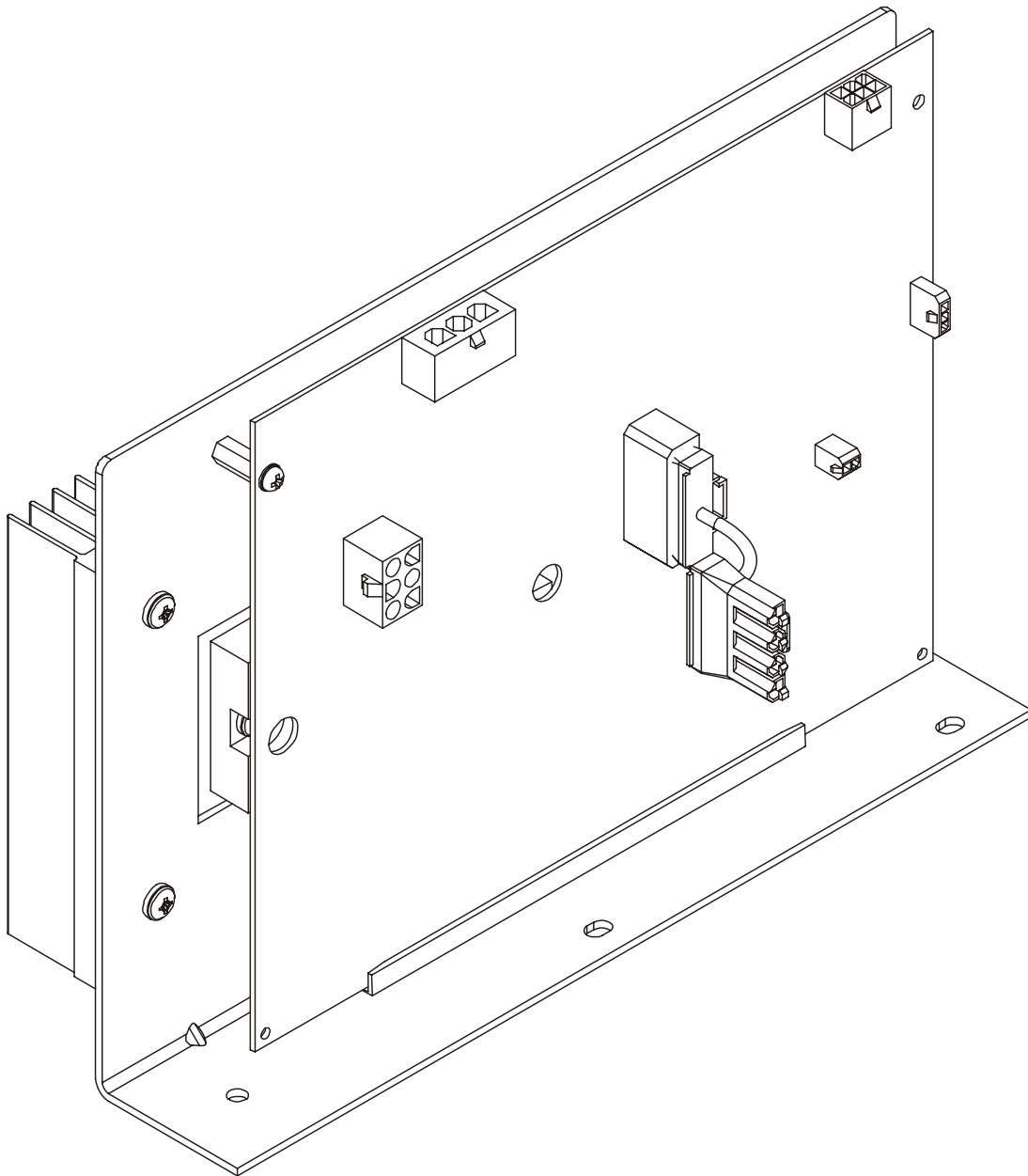
**93T-0XXX-04**  
**S/N THH100000 and up**



**ARCTIC SILVER 93T ROHR**  
**Motor Controller Assembly**

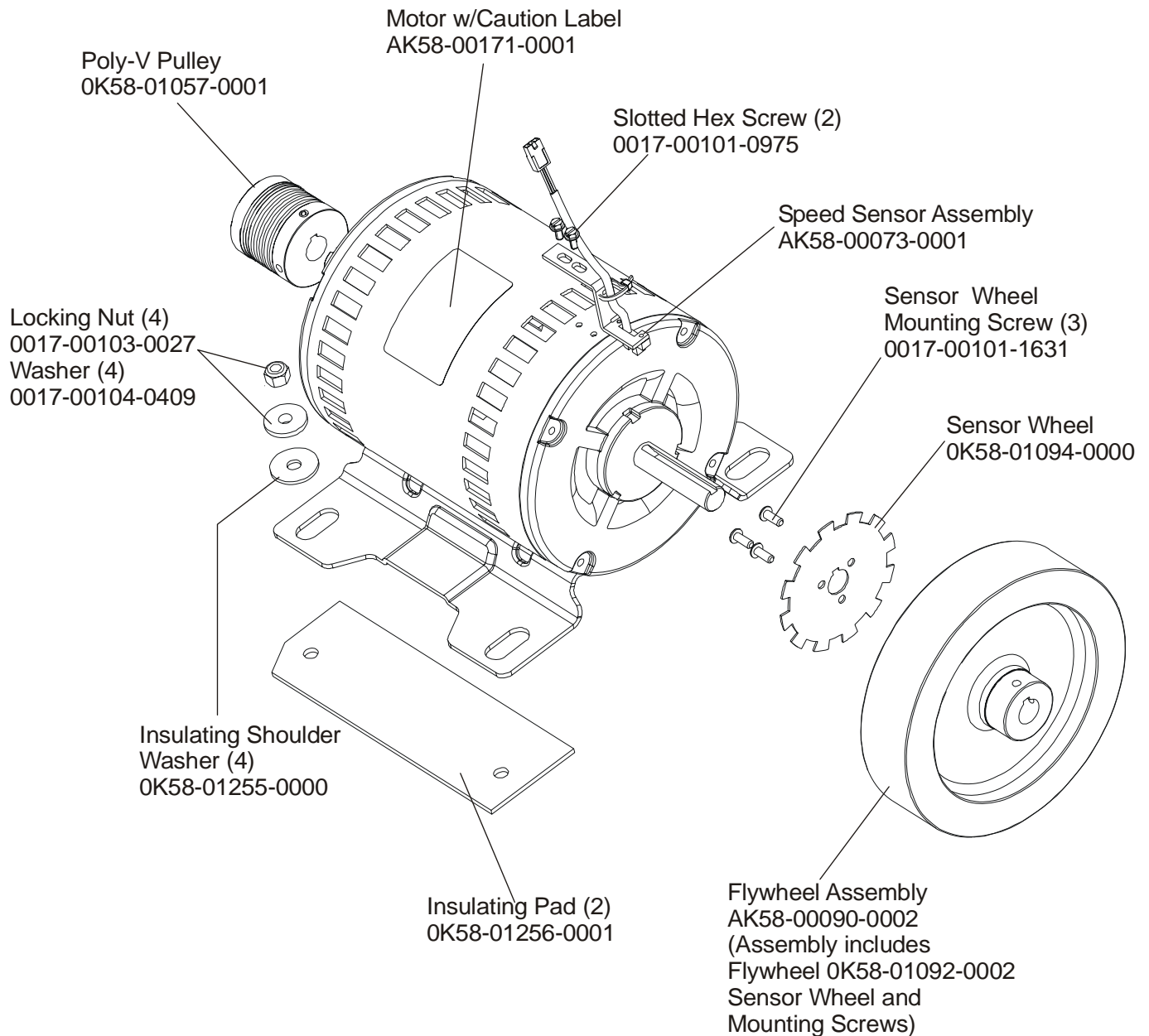
**93T-0XXX-04**  
**S/N THH100000 and up**

- AK60-00171-0000 (100-120V) W/O FERRITE
- AK60-00171-0001 (200-240V) W/O FERRITE
- AK60-00171-0002 (100-120V) WITH FERRITE
- AK60-00171-0003 (200-240V) WITH FERRITE



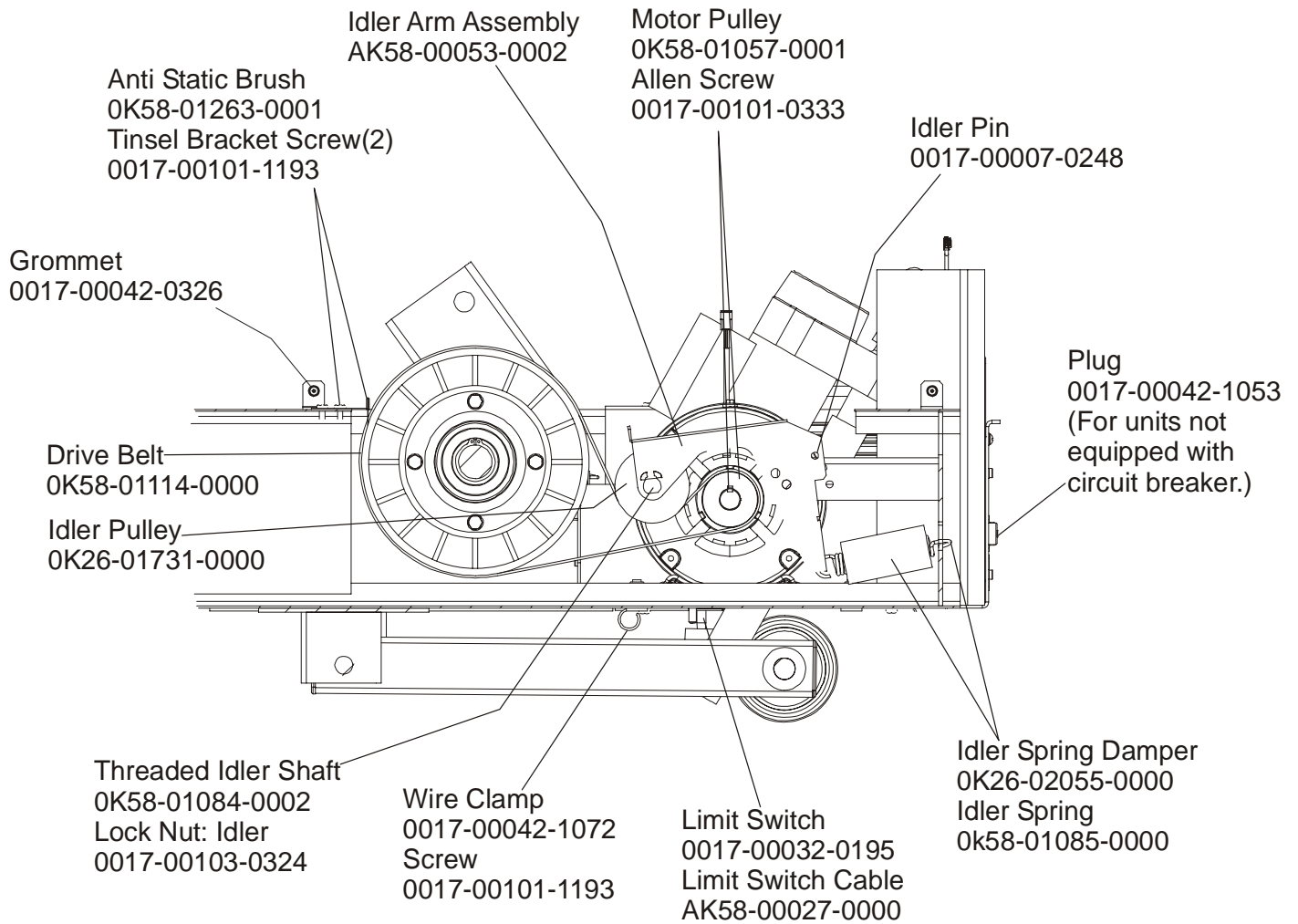
**ARCTIC SILVER 93T ROHR**  
**Drive Motor Assy.**

**93T-0XXX-04**  
**S/N THH100000 and up**



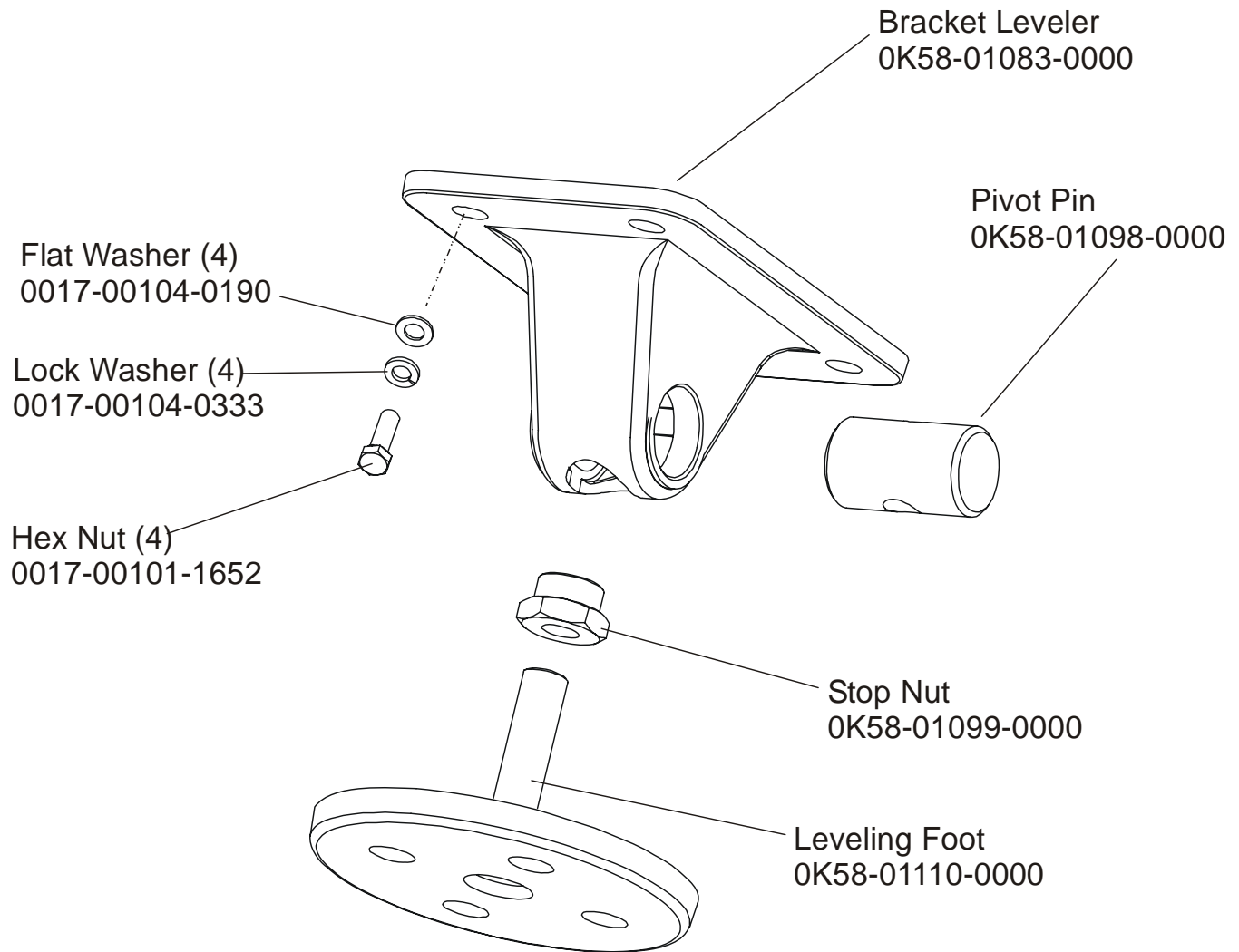
**ARCTIC SILVER 93T ROHR**  
**Idler Arm Assembly and Static Brush**

**93T-0XXX-04**  
**S/N THH100000 and up**



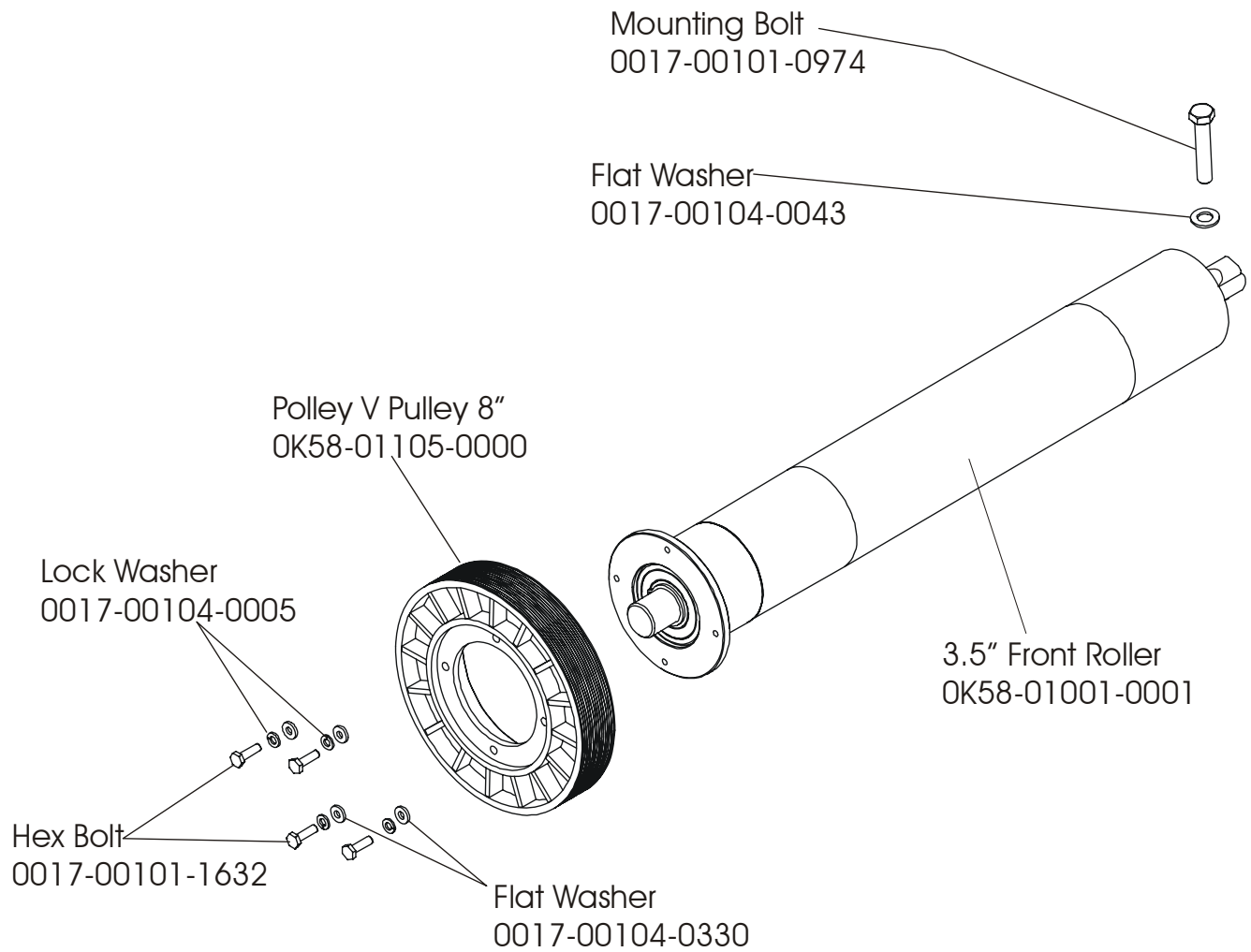
**ARCTIC SILVER 93T ROHR**  
**Leveler Assembly – AK58-00370-0000**

**93T-0XXX-04**  
**S/N THH100000 and up**



**ARCTIC SILVER 93T ROHR**  
**Front Roller Assy.-AK58-00066-0000**

**93T-0XXX-04**  
**S/N THH100000 and up**



# ARCTIC SILVER 93T ROHR

## Power Components Schematic

**93T-0XXX-04**  
**S/N THH100000 and up**

