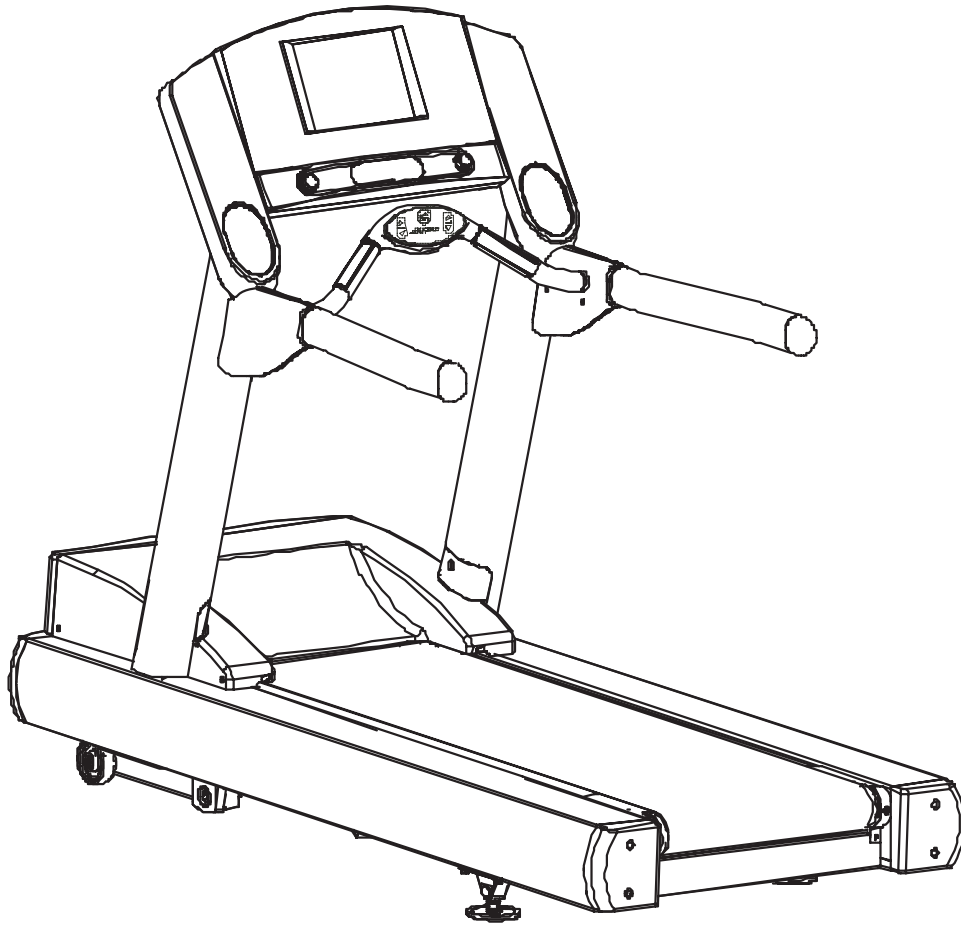


LifeFitness

TSM
ARCTIC SILVER 95TE
95TE-0XXX-08



Customer Support Services
PARTS MANUAL rev 01 June 2012

Miscellaneous	3
Console, Overlay Assembly, And Overlay.....	5
Console Components.....	6
Uprights and Handrails	8
Ergo Bar, Heart Rate Sensors, and Activity Zone	9
Activity Zone Module with Overlay Assembly	10
Rear Endcaps and Cup Holders.....	11
Motor Cover, Front Cover, and Endcaps	12
Scuff Pad and Tinsel	13
On-Off Switch, Access Plate, and Grommets	14
Belt, Deck, and Rear Roller.....	15
Lift Frame, Lift Motor, and IEC Receptacle	16
Idler Arm Assembly	17
Leg Leveler Assembly.....	18
Front Roller Assembly	19
Drive Motor Assembly.....	20
Stride Sensor Assembly and Stride Sensor PCB Assembly	21
DSP-Controller Assembly	22
Line Cords	23
Block Diagrams	24

Language	Operation Manual*	Assembly Instructions*	Instruction Bag Assembly*	Service Manual
English	M051-00K58-A276	M051-00K58-A322	AK58-00579-0000	M051-00K58-A254
French	M051-00K58-A277	M051-00K58-A323	AK58-00579-0001	
Portuguese				
Spanish				
Dutch	M051-00K58-A278	M051-00K58-A324	AK58-00579-0002	
German				
Italian				
Japanese	M051-00K58-A279	M051-00K58-A325	AK58-00579-0003	

*Operation manuals, assembly instructions, and instruction bag assemblies may be unavailable for some models.

AK58-00226-0000	HDWR-BAG ASSY: MFG;95T/97T	
Part No.	DS/N TSMdescription	Qty
OK58-01305-0002	PLUG: UPRIGHT S/C-C	2
OK58-01347-0000	GASKET: ERGOBAR C	2
0017-00009-1049	WRENCH: TORX; T27 B	1
0017-00042-0326	GROMMET: PLASTI; .130/.005 S/C#13-B	2
0017-00042-0840	CLIP: WIRE; PUSH-MTG; 3/4"; S/C#80-B	5
0017-00101-1770	8-15X 8 PHL PAN A SS NO B	6
0017-00101-1772	10-16X 8 PHL PAN B ST ZS B	6
0017-00101-1773	1/4 -20X 8 TRX BUT CS SS NO B	6
0017-00101-1774	5/16-18X40 TRX FLT CS ST ZS B	4
0017-00101-1778	1/2 -13X16 UNS HEX CS G5 ZB B	4
0017-00101-1780	8- X20 PHL TRS AB SS NO B	8
0017-00104-0325	WSH 516-.873-125 SL-D ST ZN B	4
0017-00103-0327	NUT 5/16-18 HEX; JAM D ST ZS B	4

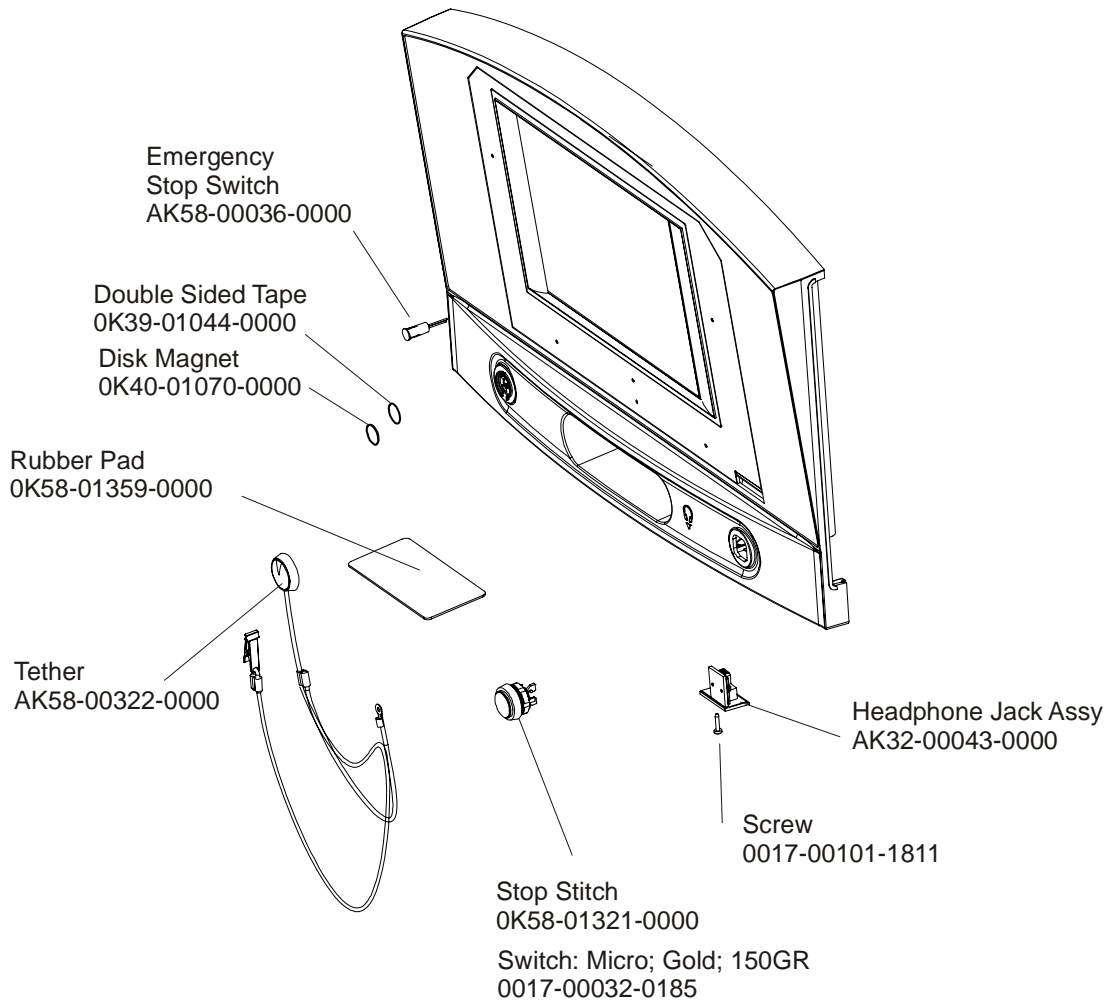
KIT: SERV; ROLLER-GUARDS; 93/95Ti BM (Part No. GK58-00002-0095)		
Part No.	Description	Qty
AK58-00360-0001	GUARD-ASSY: MFG; RT; 3.50 B	1
AK58-00360-0002	GUARD-ASSY: MFG; LT; 3.50 B	1
available only in the kit	INSTR: SERV; ROLLER-GUARDS +	1
0017-00042-0326	GROMMET: PLASTI; .130/.005 S/C#13-B	2
0017-00042-1147	GROMMET: NYLON; SCREW B	2
0017-00101-1776	10-16X 8 PHL PAN B ST ZB B	4

KIT: SERV; ANTI-SLIP RAIL BM (Part No. GK58-00002-0071)		
Part No.	Description	Qty
available only in the kit	INSTR:TEMPLT; ANTI-SLIP RAIL B	4
available only in the kit	INSTR: KIT; ANTI-SLIP RAIL +	1
OK58-01376-0000	RAIL: ANTI-SLIP;STEALTH-GREY E	2
available only in the kit	PAD: WIPE; ALCOHOL/DRY B	1

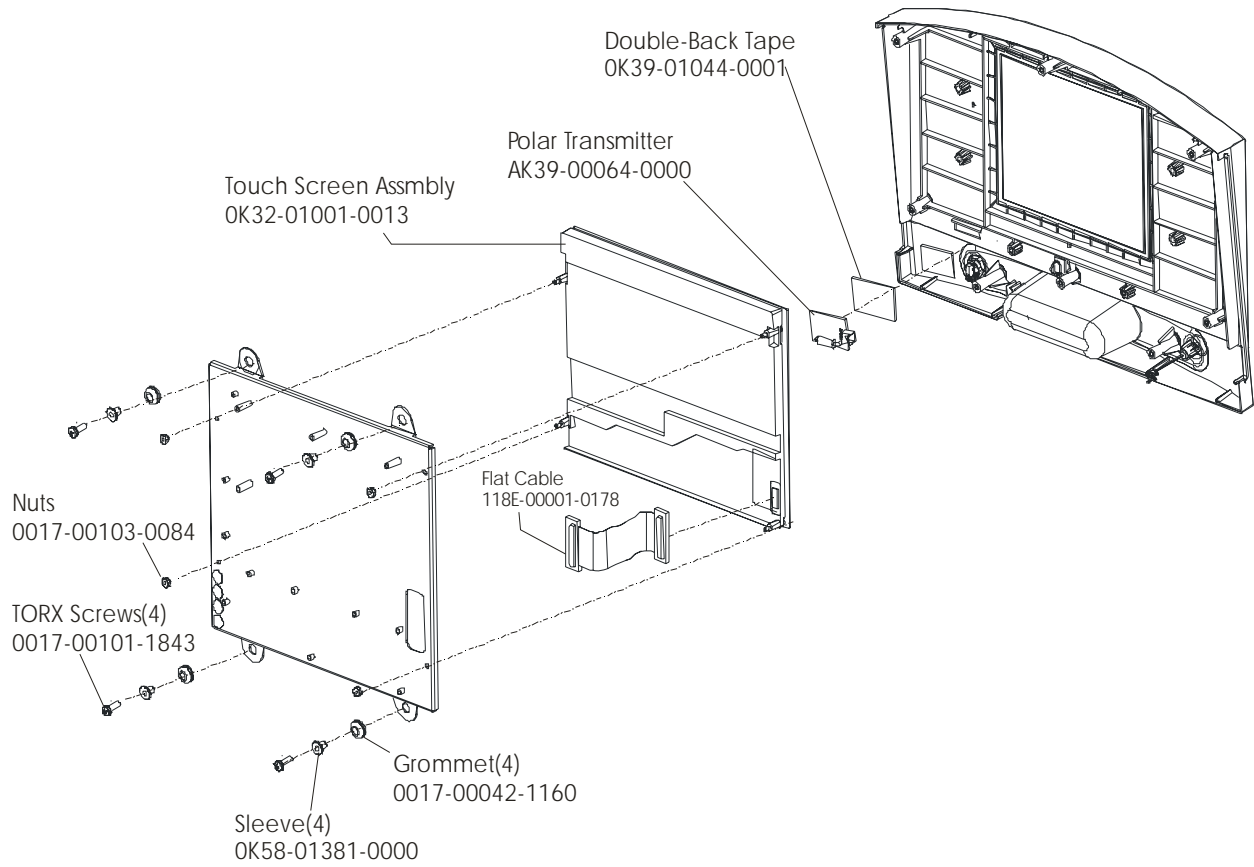
Touch-up Paint		
Part No.	Description	
0017-00008-0204	PAINT: CAN; SPRAY; ARCTIC SILVER	
0017-00008-0205	PAINT: BOTTLE; ARCTIC SILVER (.5 OZ)	
0017-00008-0206	PAINT: PEN; ARCTIC SILVER (.33 OZ)	

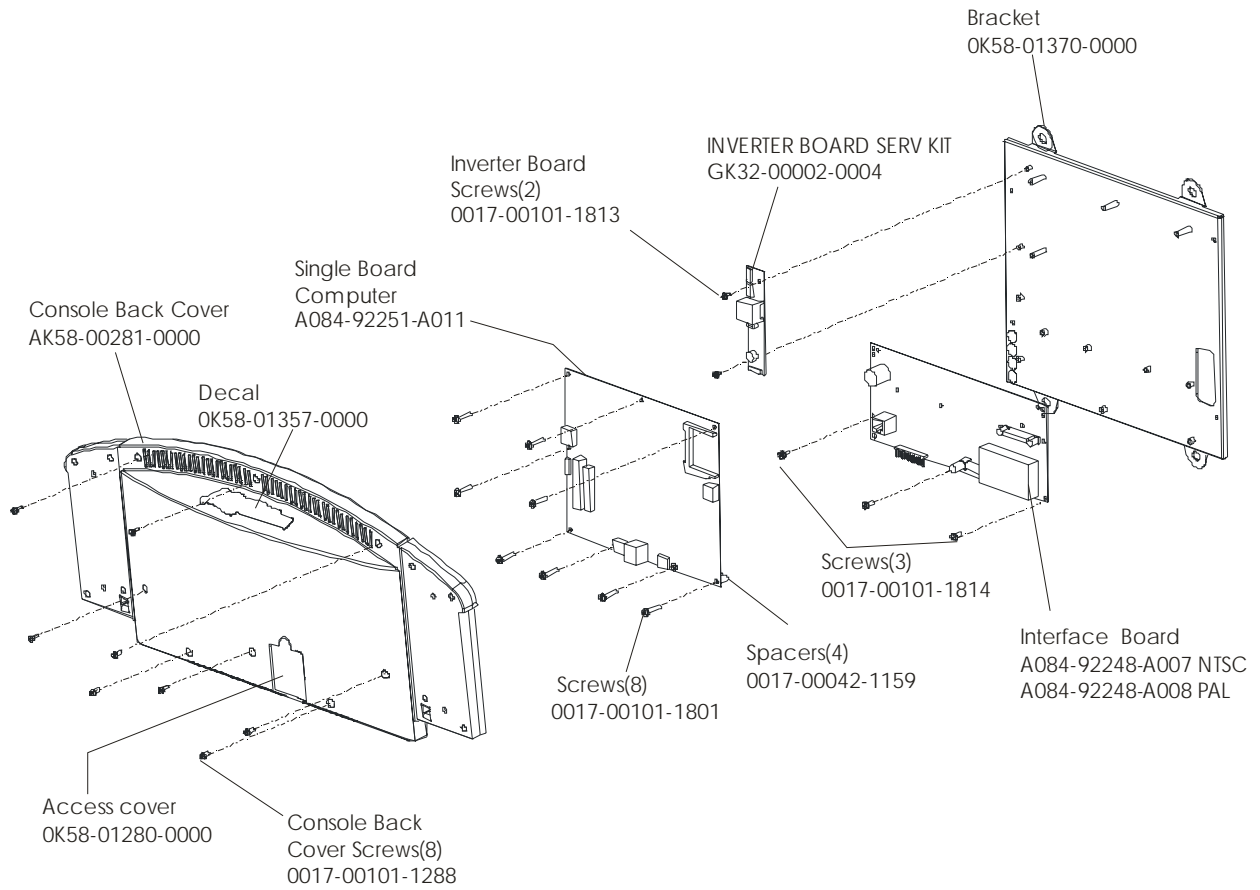
Ink Transfer Touch-up Paint*		
Part No.	Description	
0017-00008-0210	PAINT: TOUCH-UP; SHADOW-GRAY; .6 OZ BTL.	
0017-00008-0211	PAINT: TOUCH-UP; SHADOW-GRAY; .6 OZ. PEN	

*See service bulletin No. GN05032101N



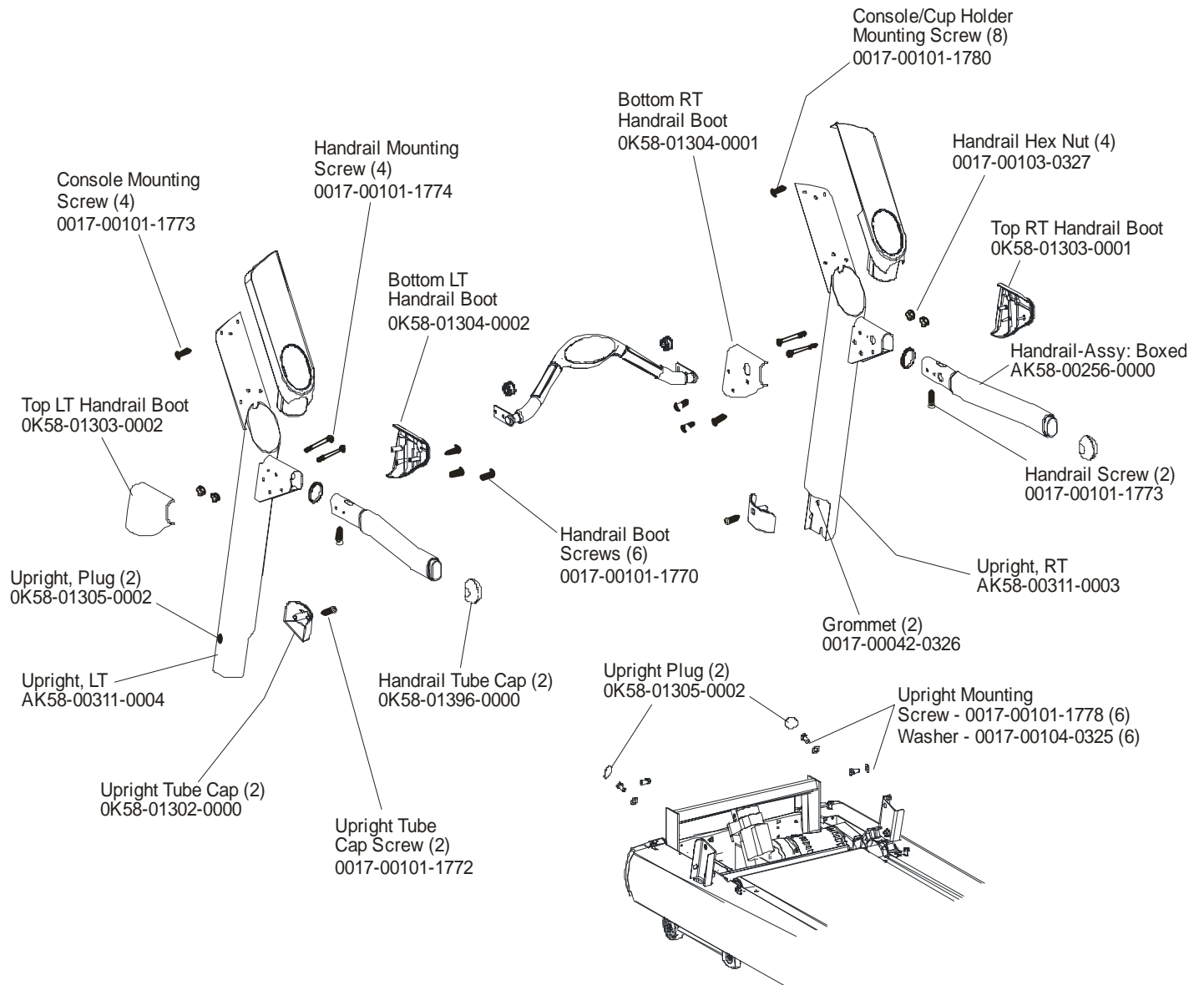
Language		Console Assembly	Overlay/Bezel Assembly
NTSC	ENGLISH	GK58-00002-0099	AK58-00516-0001
	SPANISH	GK58-00002-0100	AK58-00516-0004
	JAPANESE	GK58-00002-0101	AK58-00516-0006
	FRENCH	GK58-00002-0102	AK58-00516-0007
PAL	ENGLISH	GK58-00002-0104	AK58-00517-0001
	GERMAN	GK58-00002-0105	AK58-00517-0003
	SPANISH	GK58-00002-0106	AK58-00517-0004
	FRENCH	GK58-00002-0107	AK58-00517-0007
	ITALIAN	GK58-00002-0108	AK58-00517-0008
	DUTCH	GK58-00002-0109	AK58-00517-0009

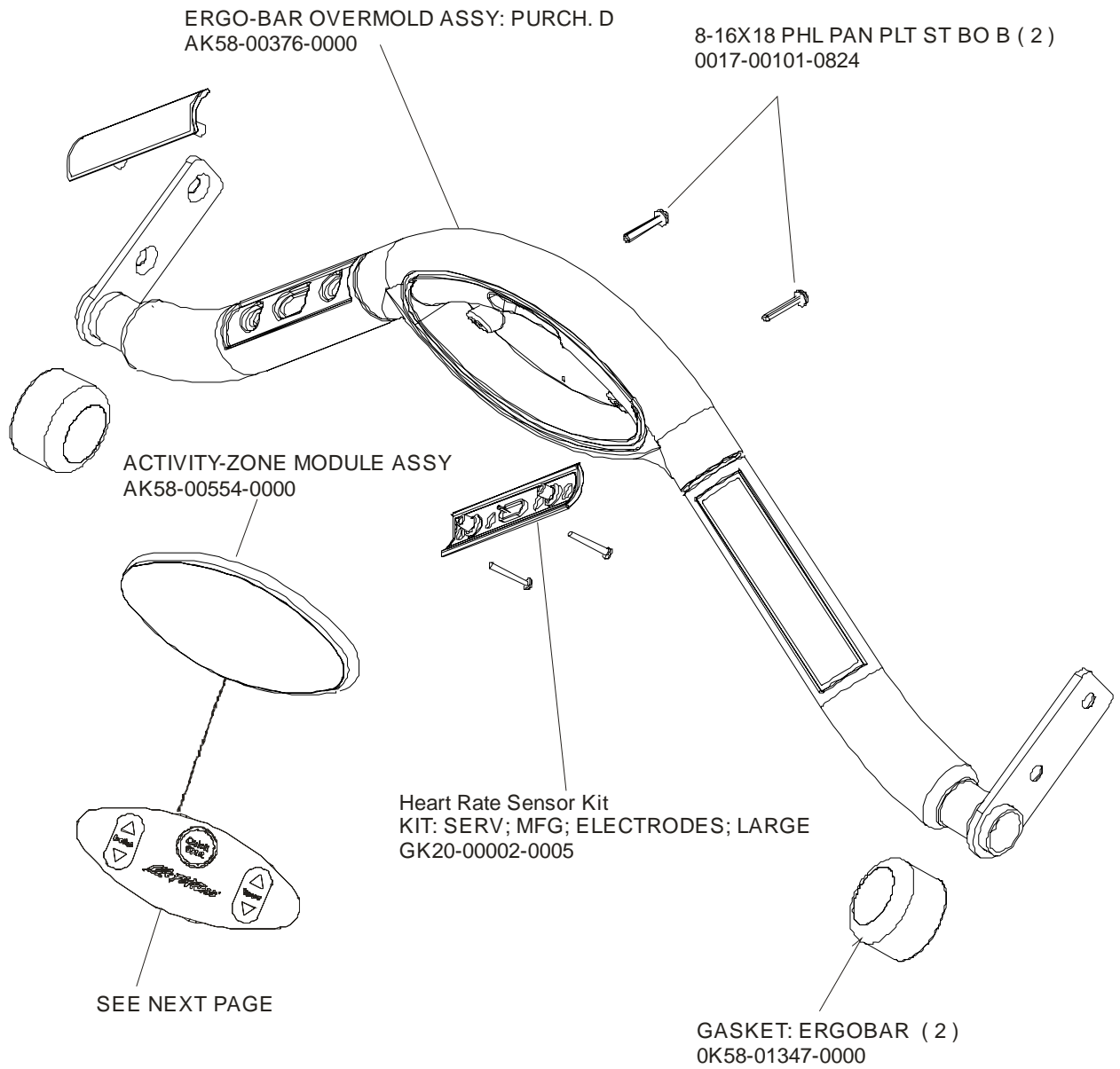


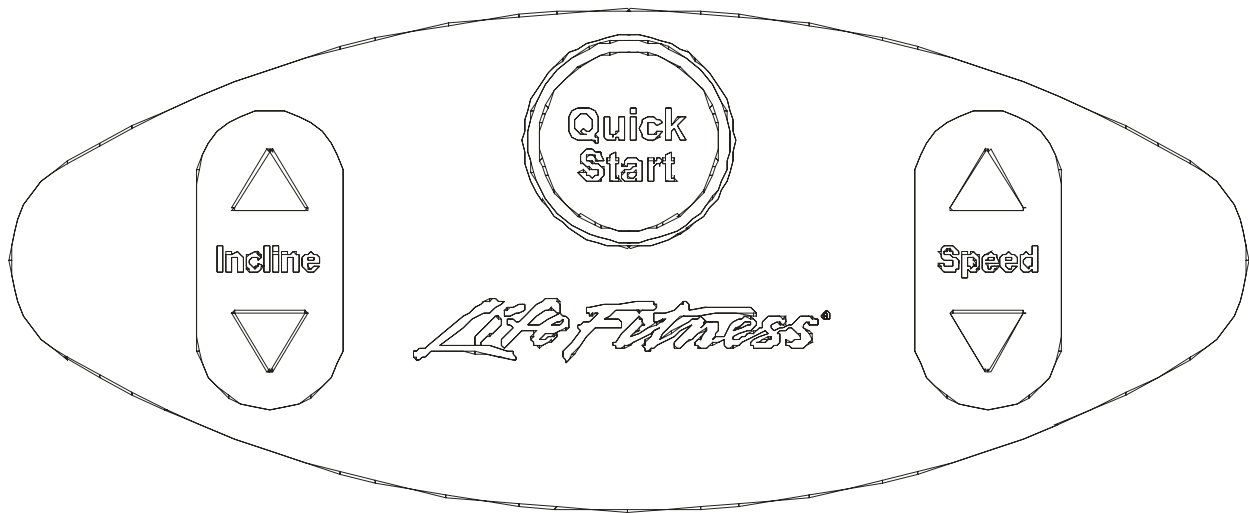


Arctic Silver 95TE
Uprights and Handrails

95TE-0XXX-08
S/N TSM100000 and up

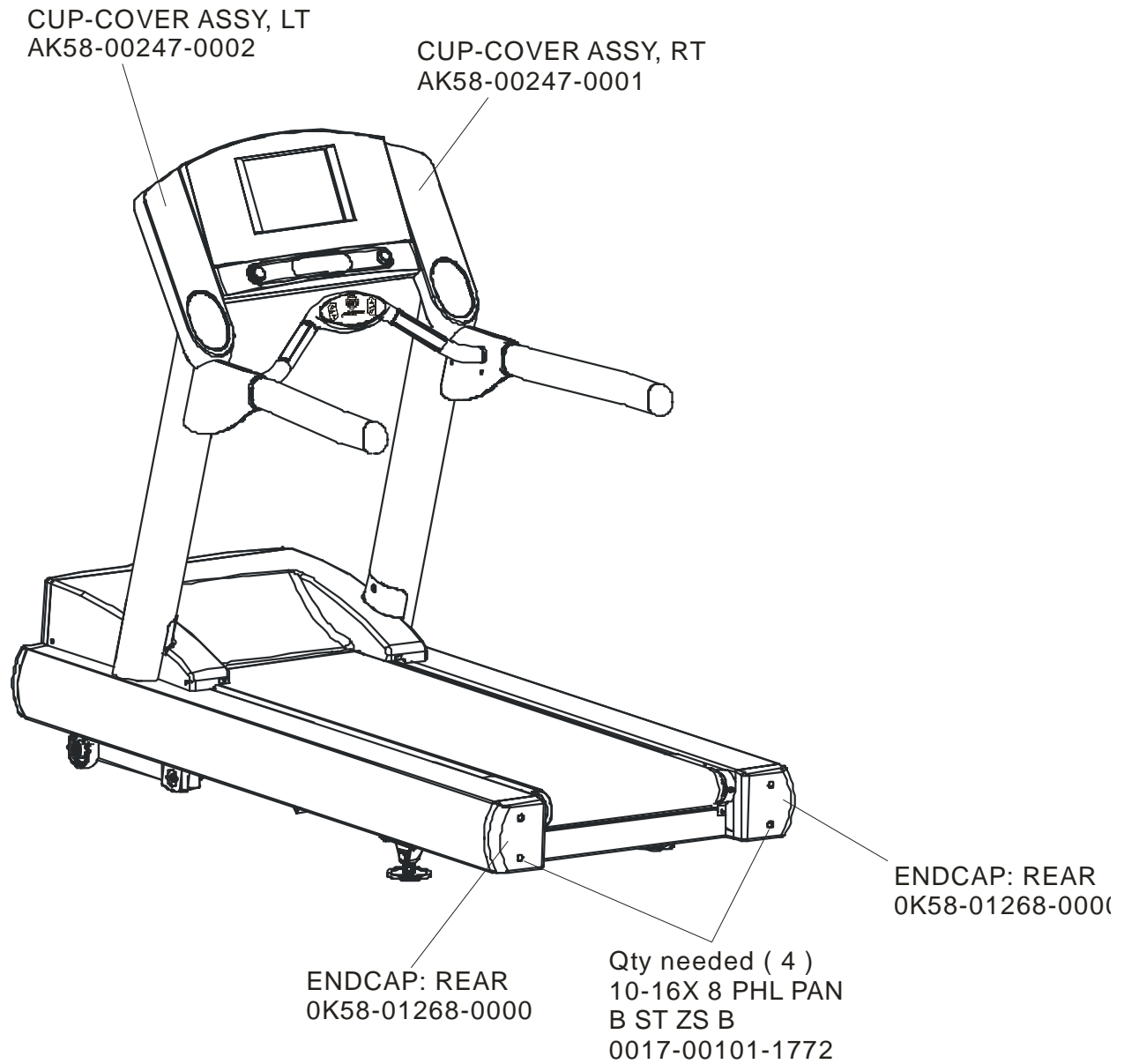


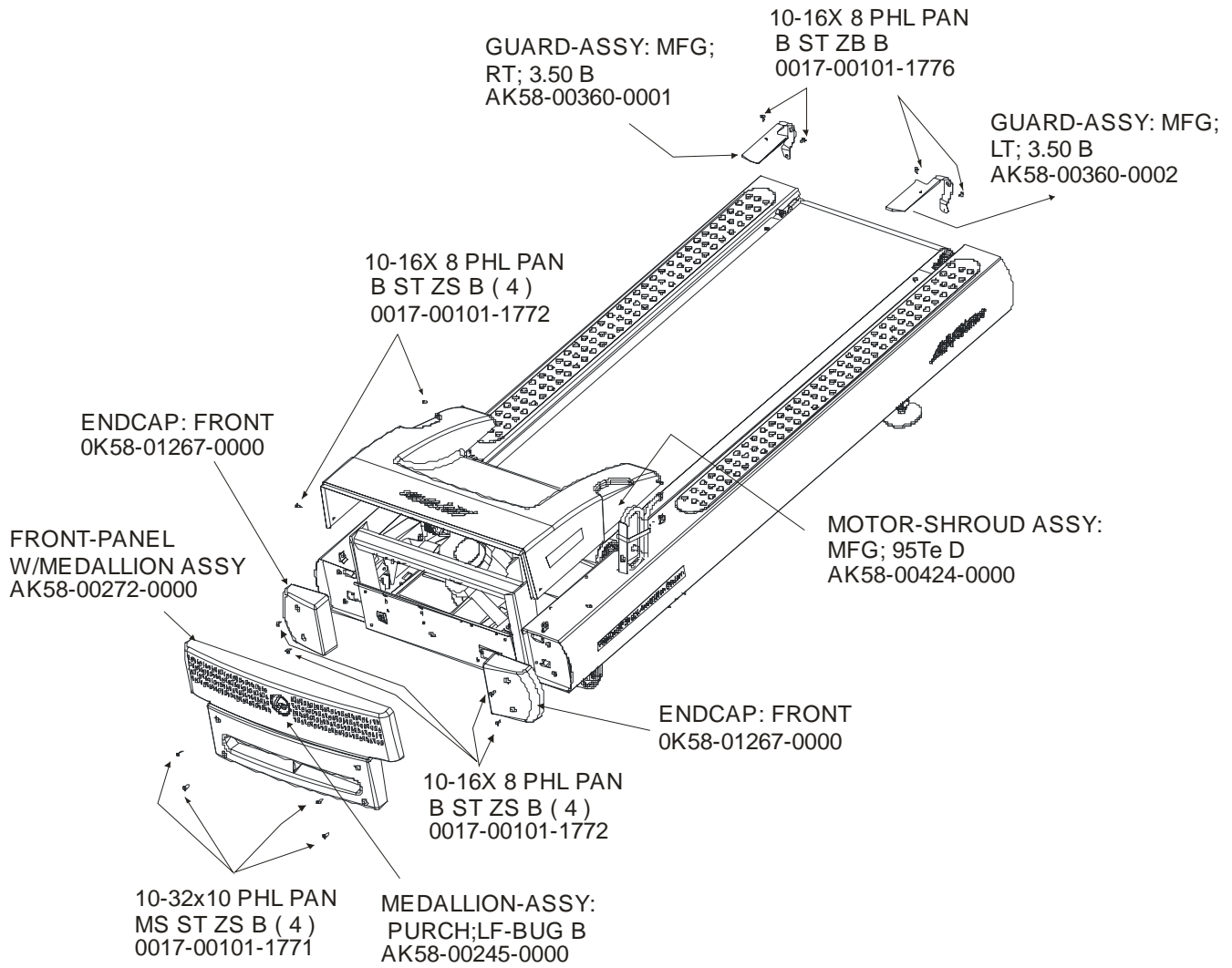


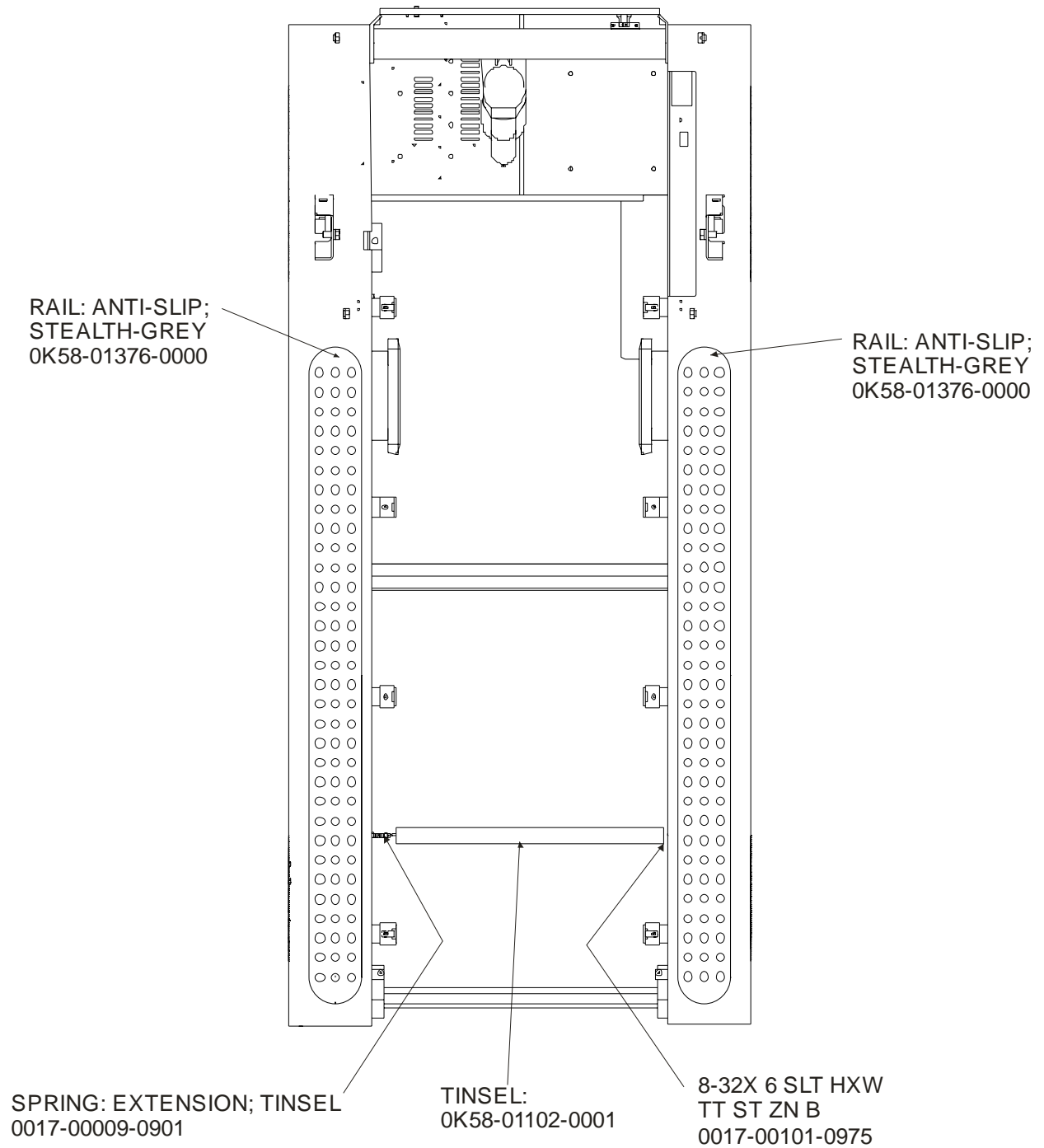


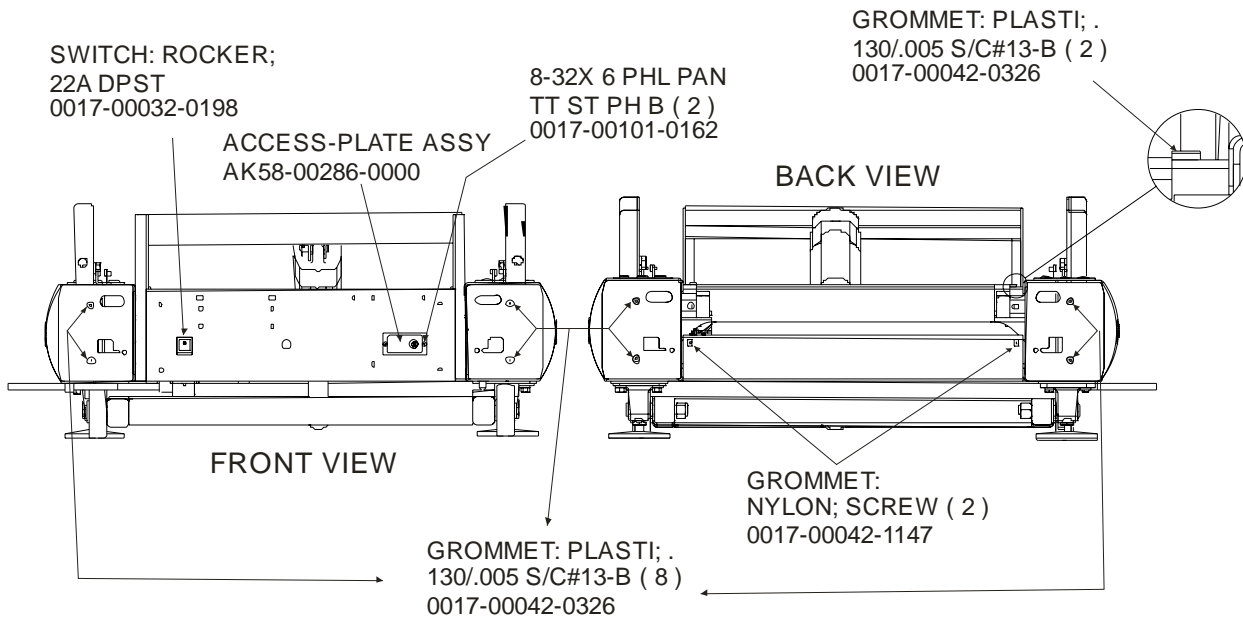
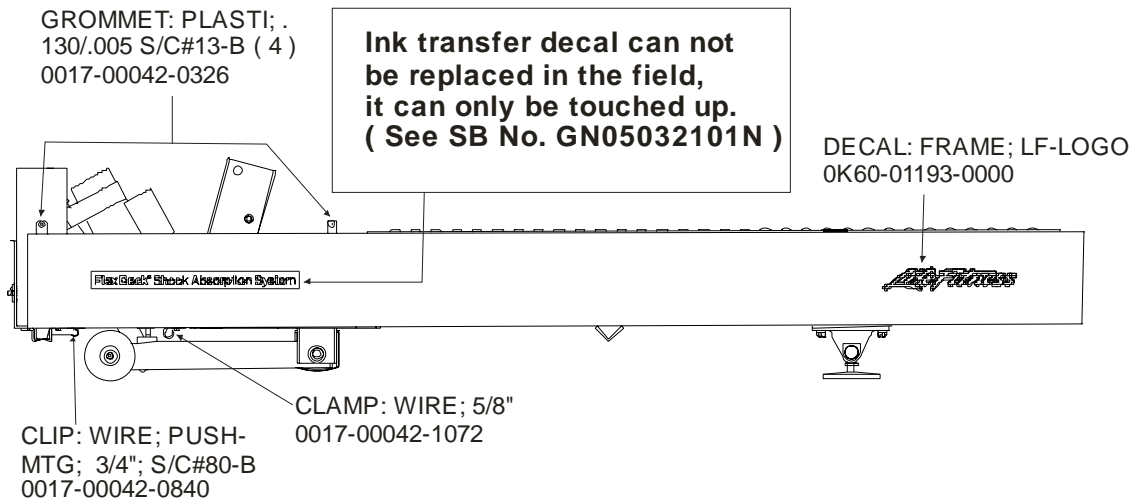
Language	Activity Zone Module w/Overlay Assembly*	Activity Zone Overlay*
Eng/Eng	AK58-00556-0001	OK58-01461-0001
Eng+Met	AK58-00556-0002	OK58-01461-0001
German	AK58-00556-0003	OK58-01461-0003
Spanish	AK58-00556-0004	OK58-01461-0004
Japanese	AK58-00556-0006	OK58-01461-0006
French	AK58-00556-0007	OK58-01461-0007
Italian	AK58-00556-0008	OK58-01461-0008
Dutch	AK58-00556-0009	OK58-01461-0009

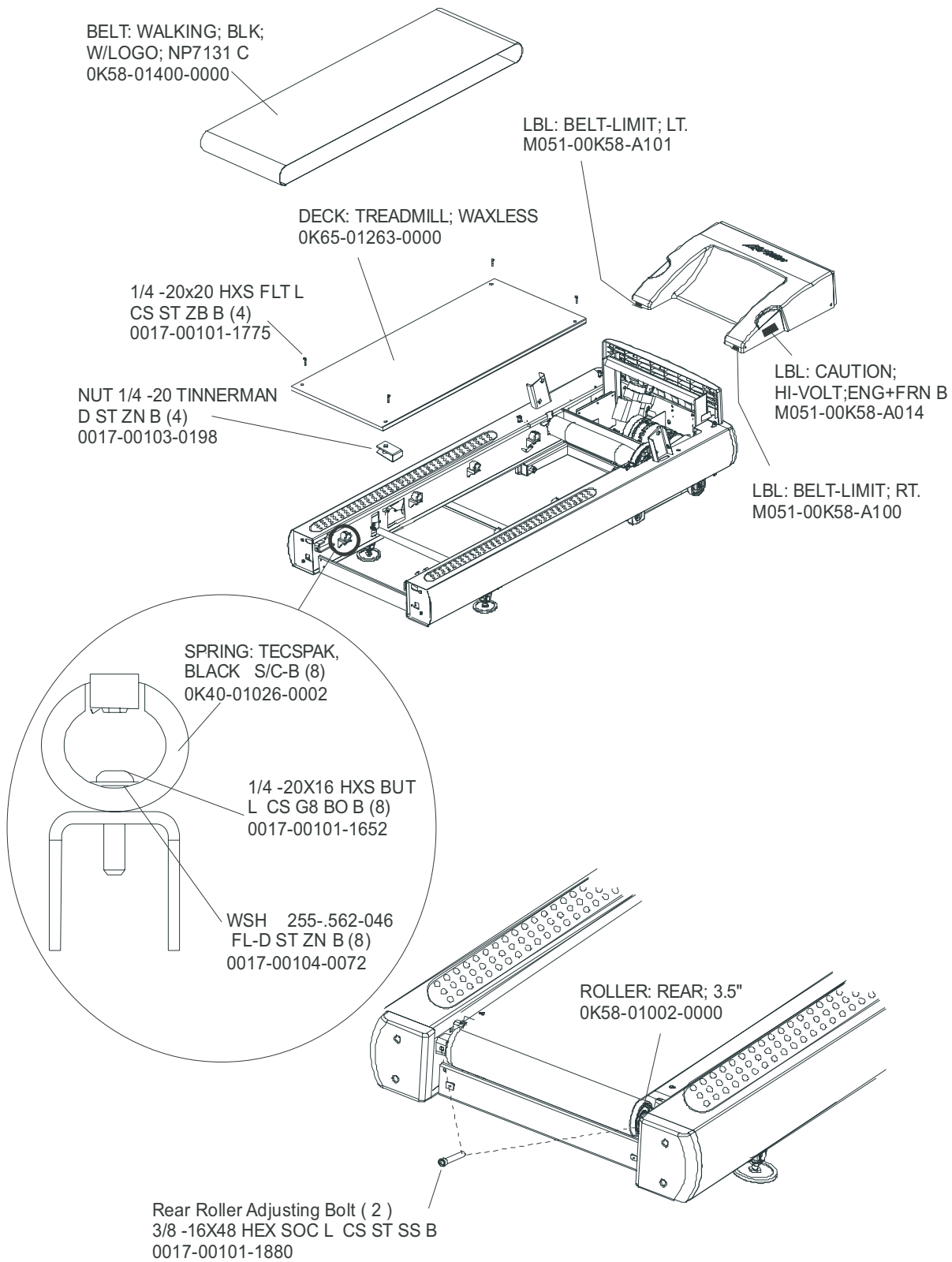
*Some Activity Zones and overlays may be unavailable.

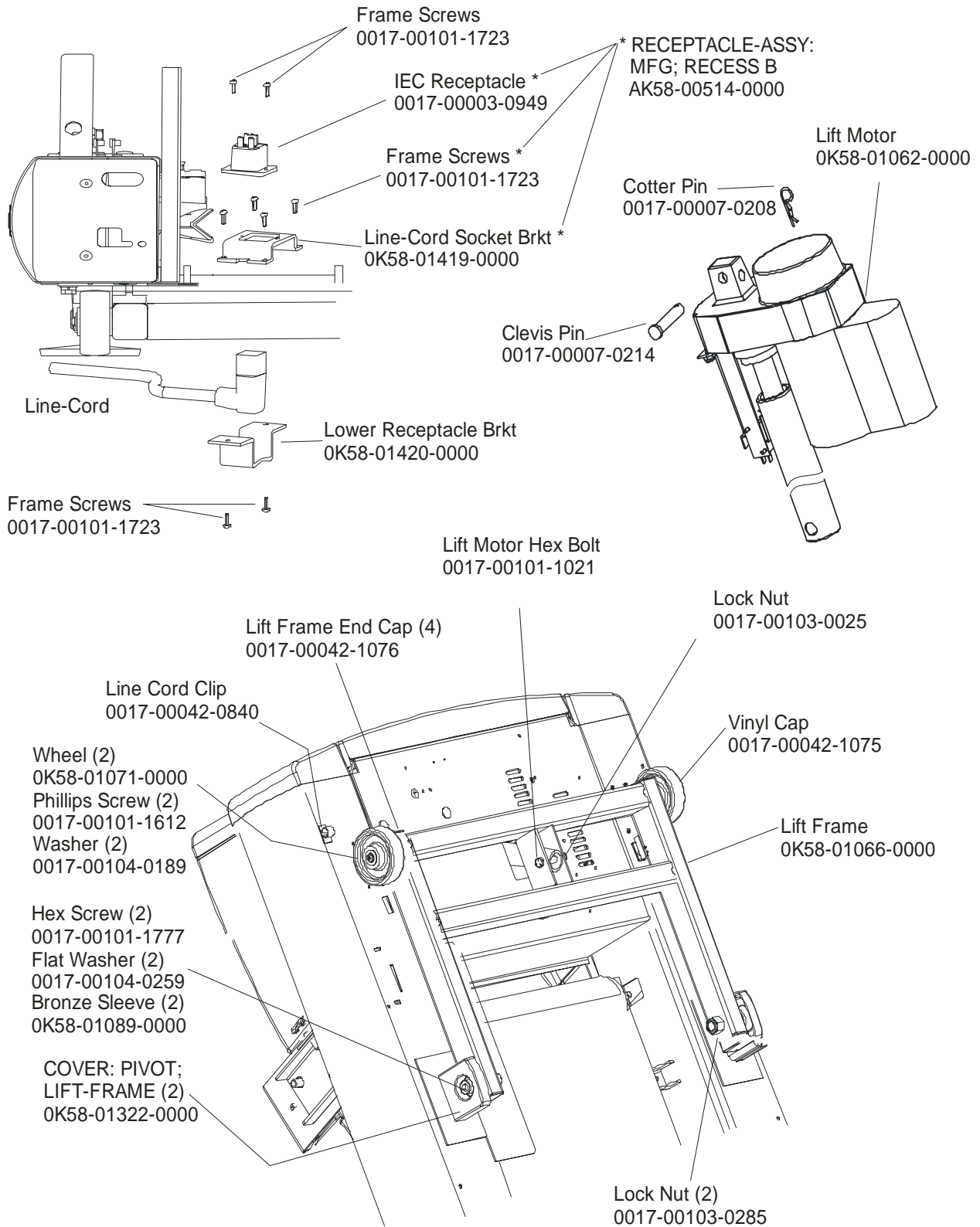


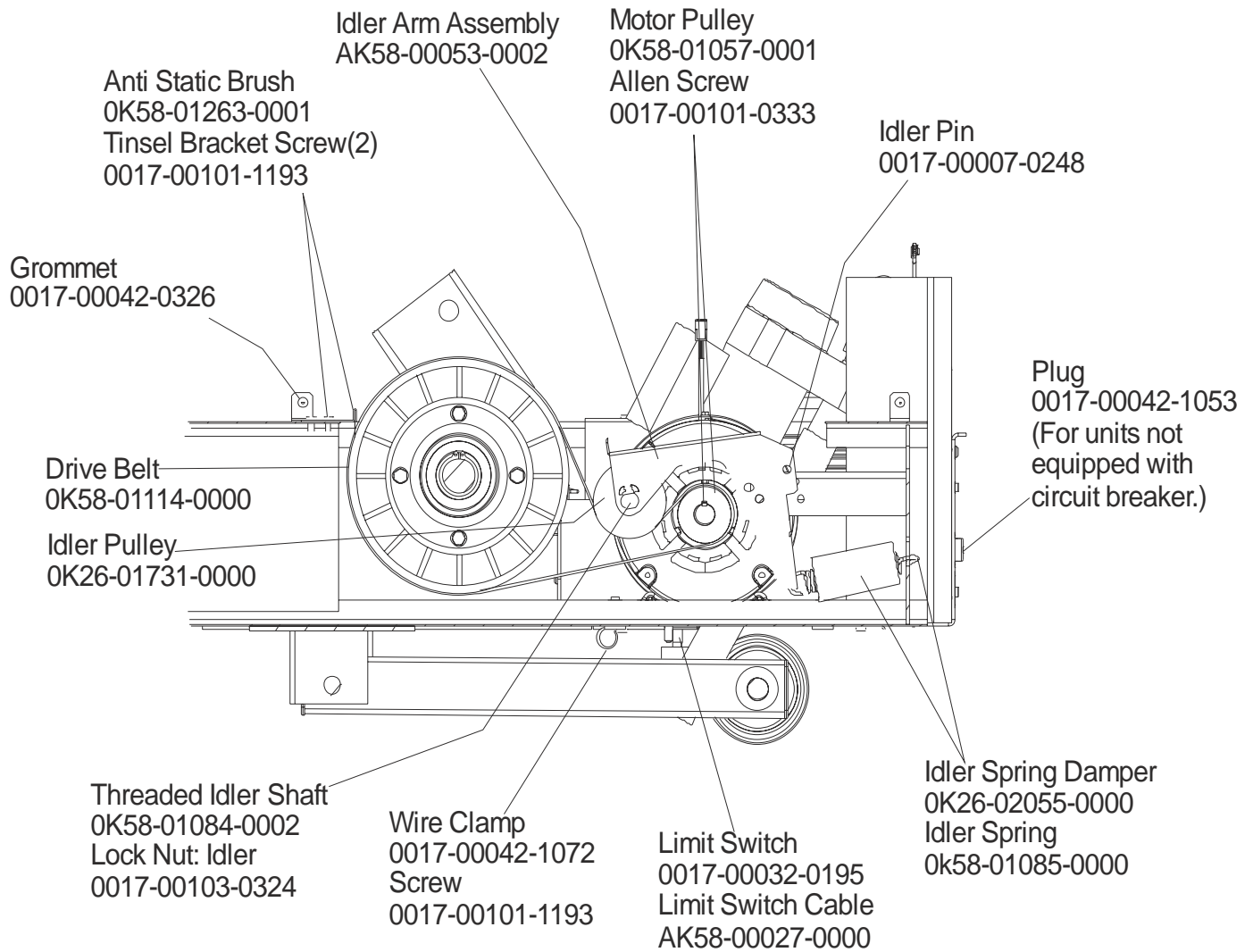


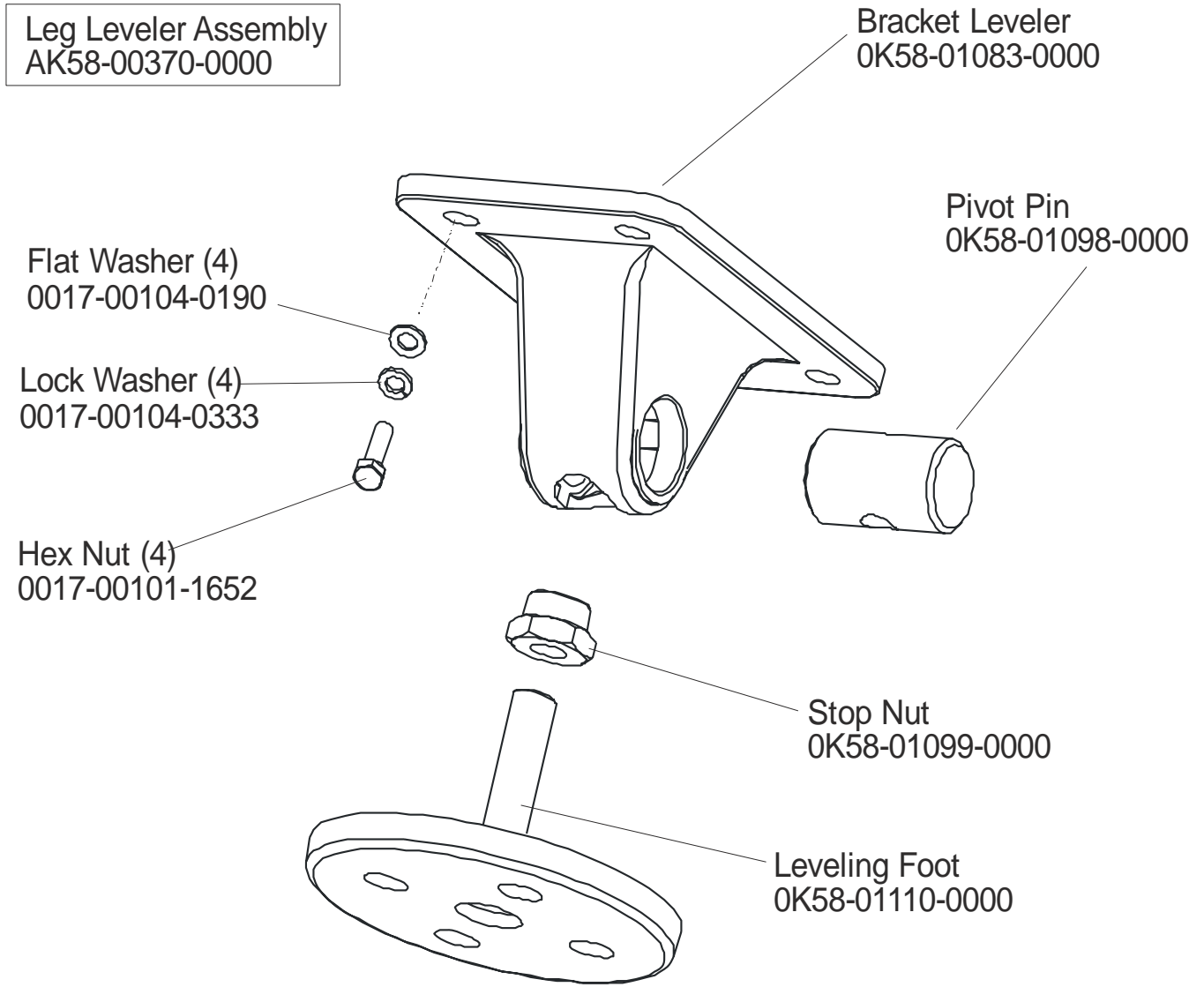












Arctic Silver 95TE
Front Roller Assembly

95TE-0XXX-08
S/N TSM100000 and up

Front Roller Assembly
AK58-00066-0000

Mounting Bolt
0017-00101-0974

Flat Washer
0017-00104-0043

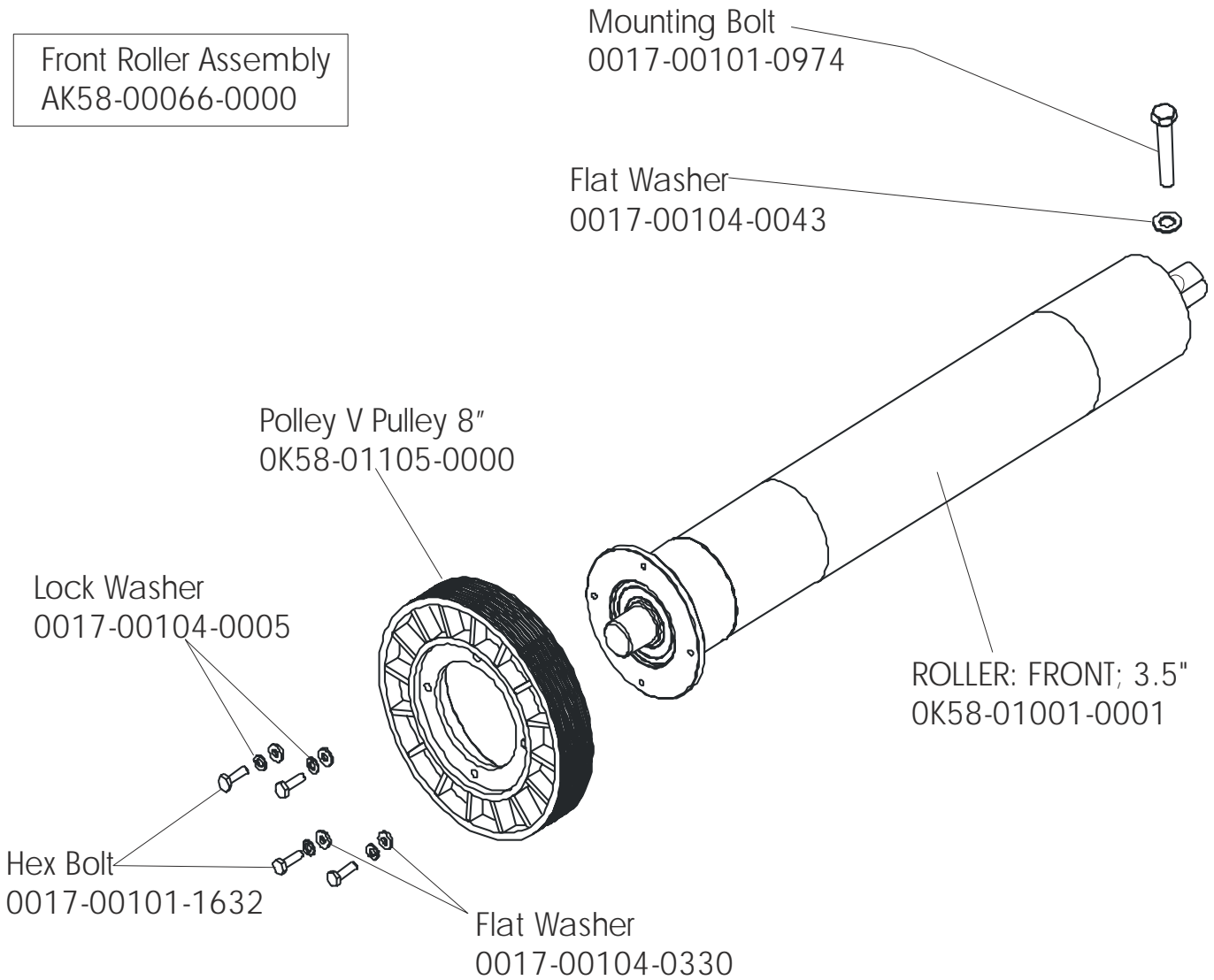
Polley V Pulley 8"
OK58-01105-0000

Lock Washer
0017-00104-0005

Hex Bolt
0017-00101-1632

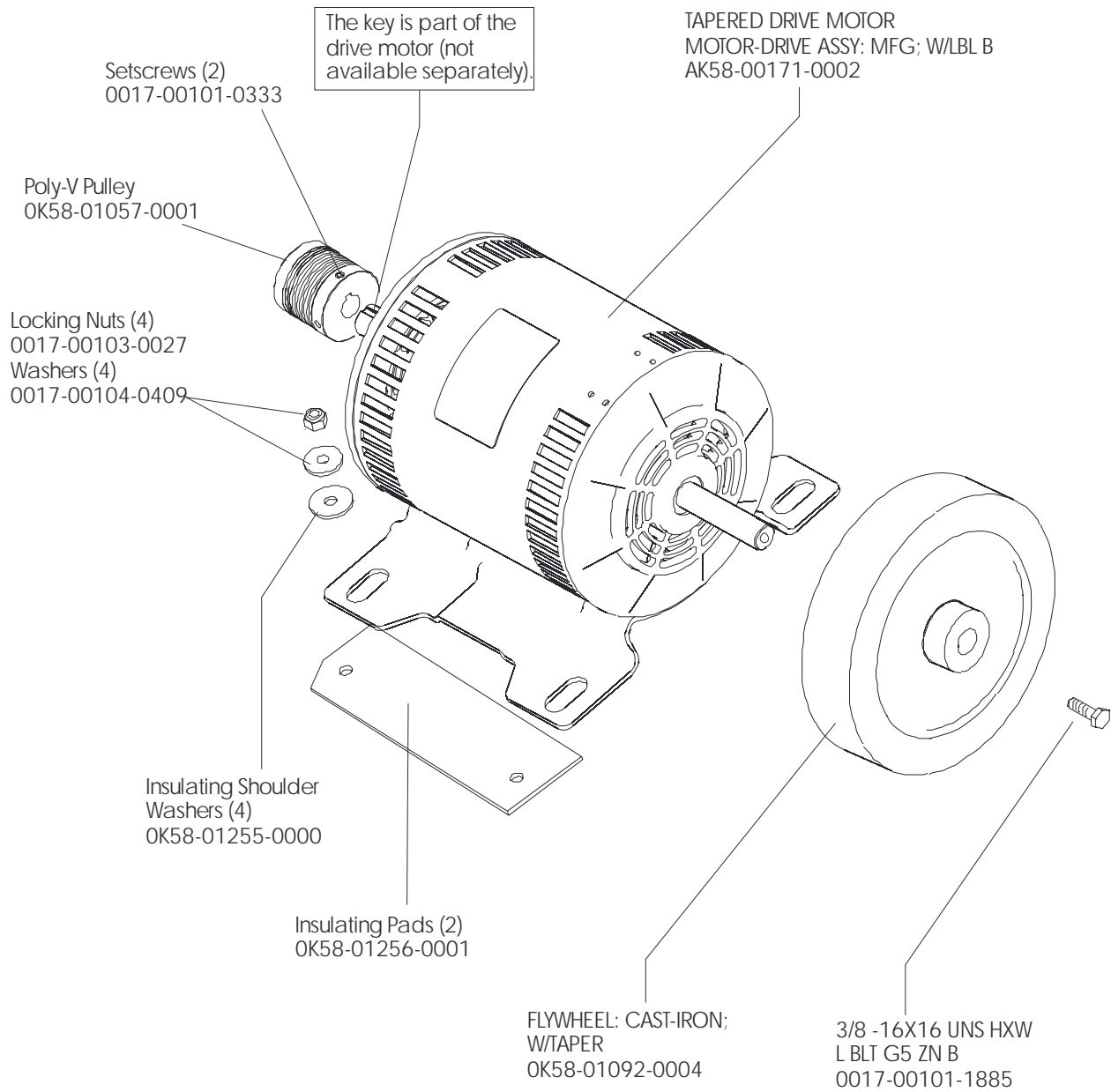
Flat Washer
0017-00104-0330

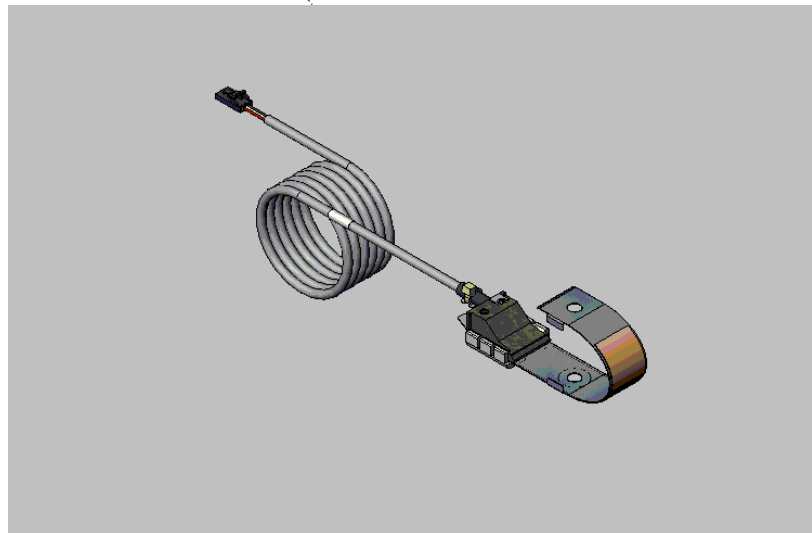
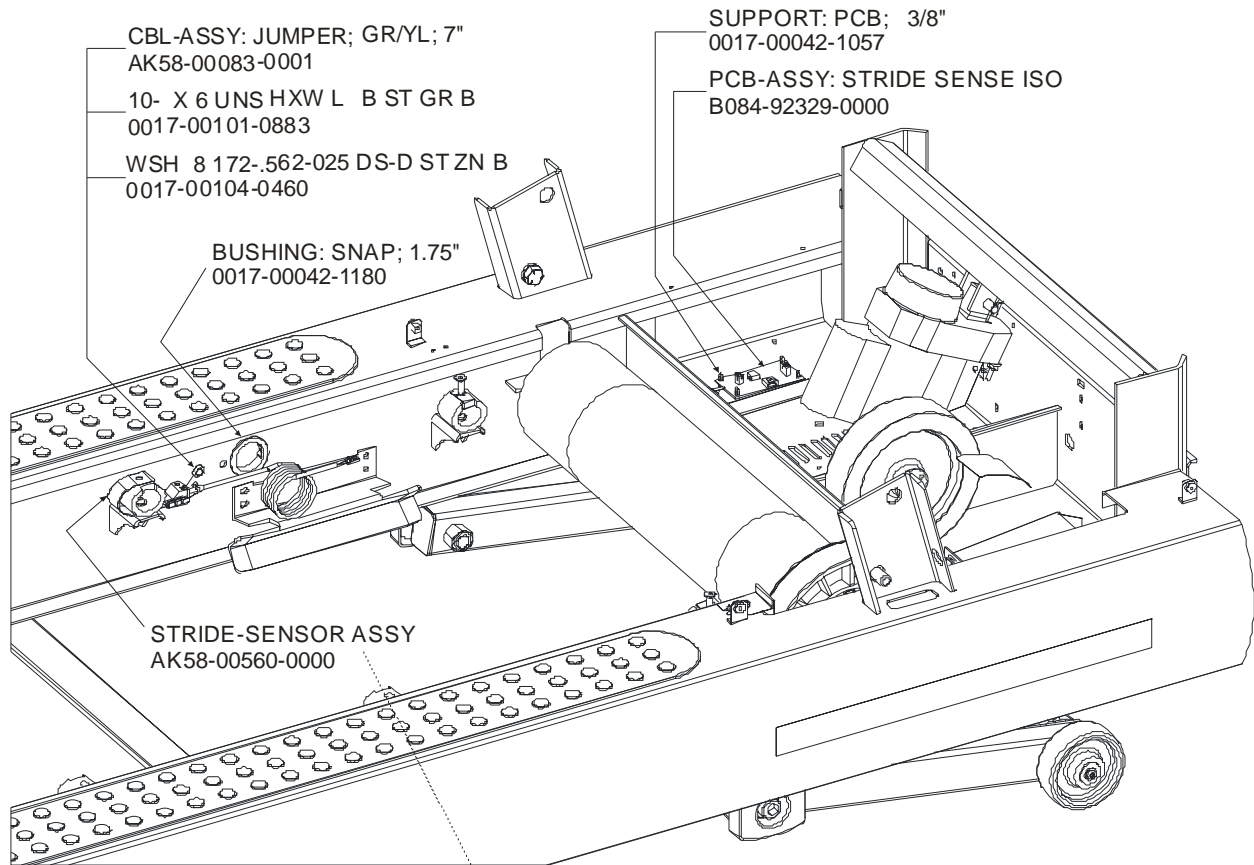
ROLLER: FRONT; 3.5"
OK58-01001-0001

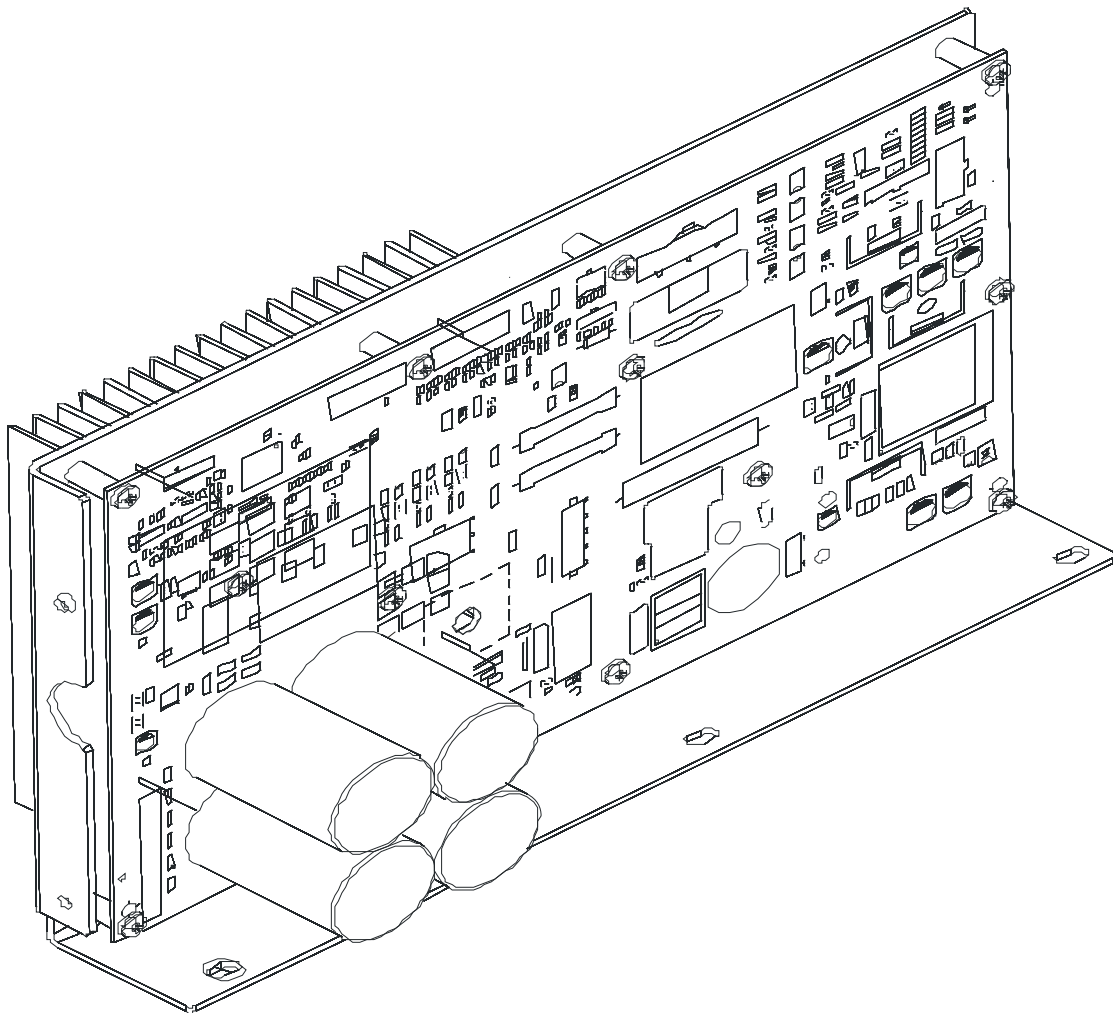


Arctic Silver 95TE
Drive Motor Assembly

95TE-0XXX-08
S/N TSM100000 and up



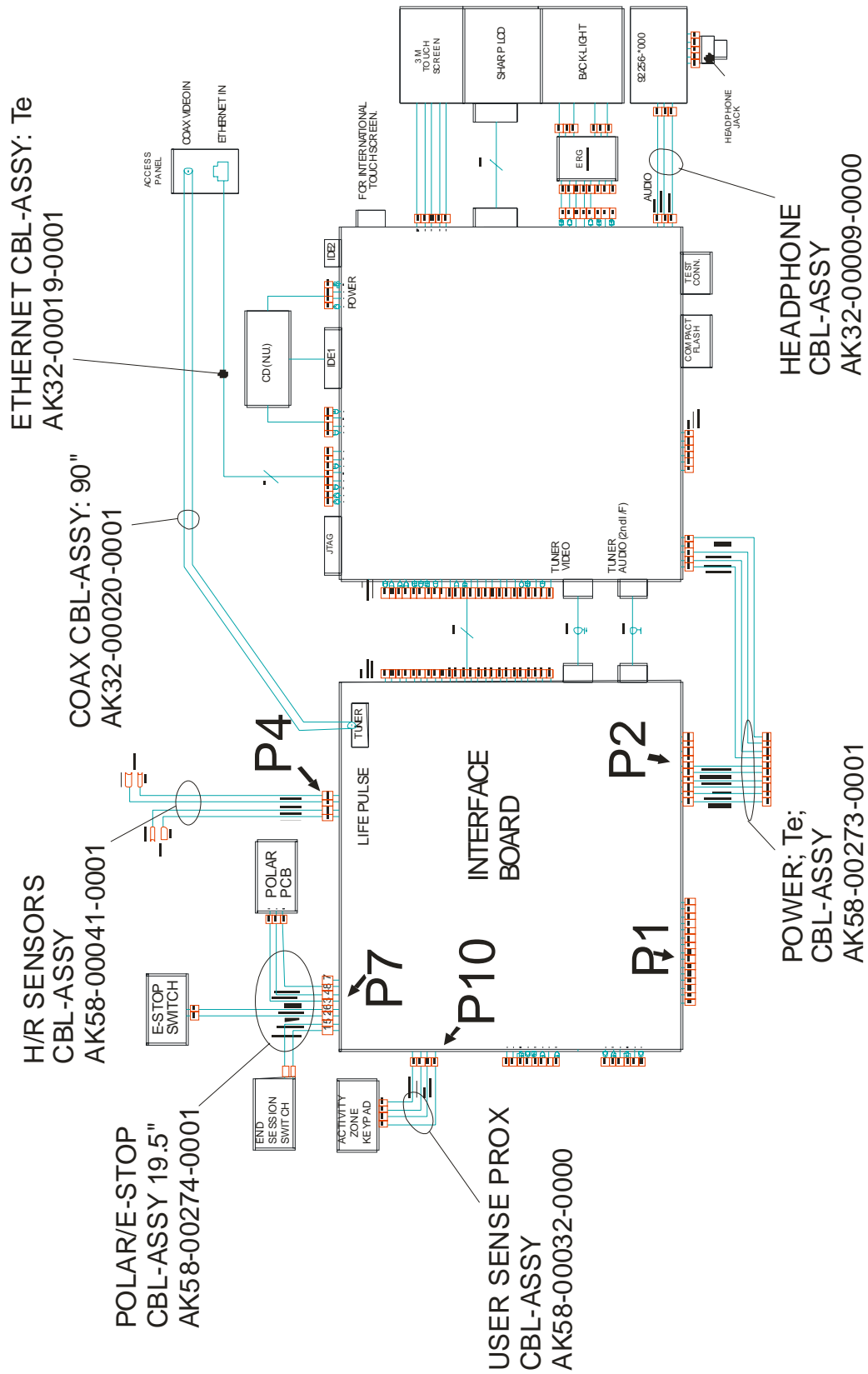




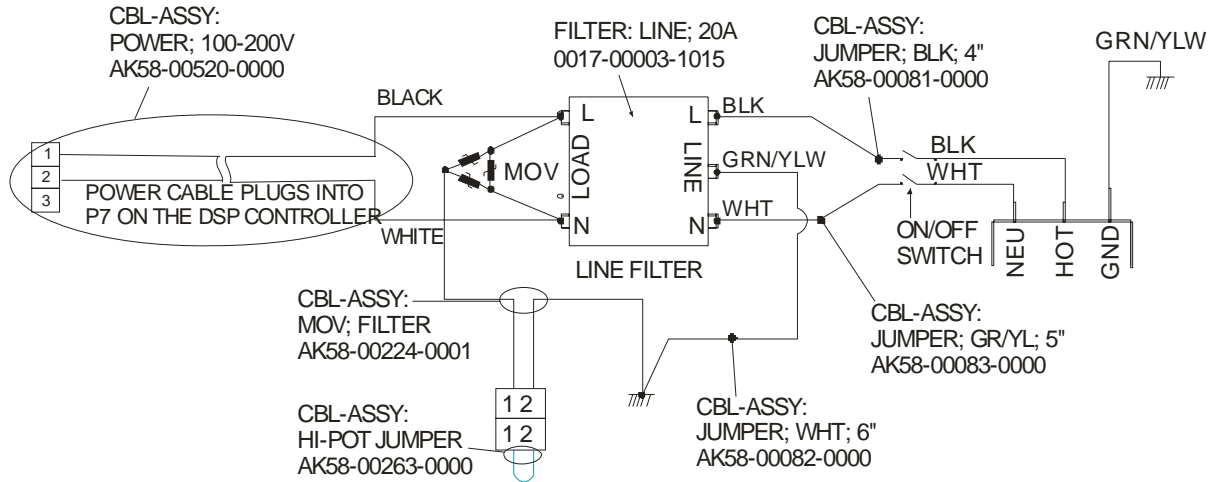
VOLTAGE	PART NUMBER	PART DESCRIPTION
100-120	AK65-00071-0000	NC; DSP: WOLVERINE/NEXTGEN; TREAD; ISO; 100-120
200-240	AK65-00071-0002	NC; DSP: NEXTGEN; TREAD; 200-240
	AK58-00523-0000	CBL-ASSY: P9 JUMPER; POWER; LCD-CONS B

Model No.	Model Description	Standard Line Cords
95TE-0100-07	95Te ENG/ENG 120/60 DOM NTSC	0017-00003-0974 LINE-CORD: R/A; 96"; W/RECP S/C-C
95TE-0300-07	95Te FRN/MET 120/60 DOM NTSC	
95TE-0400-07	95Te SPN/MET 120/60 DOM NTSC	
95TE-0800-07	95Te POR/MET 120/60 DOM NTSC	
95TE-0103-07	95Te ENG+MET 220/60 DOM NTSC	0017-00003-0781 LINE-CORD: R/A; 220V; USA D
95TE-0105-07	95Te ENG+MET 100/50 DOM NTSC	
95TE-0106-07	95Te ENG+MET 200/50 DOM NTSC	
95TE-0705-07	95Te JAP/MET 100/50 DOM NTSC	
95TE-0706-07	95Te JAP/MET 200/50 DOM NTSC	
95TE-0101-07	95Te ENG+MET 230/50 CON PAL	0017-00003-0696 LINE-CORD: R/A; CEE7; 103" 10A 250V D
95TE-0701-07	95Te GER/MET 230/50 CON PAL	
95TE-0301-07	95Te FRN/MET 230/50 CON PAL	
95TE-0401-07	95Te SPN/MET 230/50 CON PAL	
95TE-0501-07	95Te ITL/MET 230/50 CON PAL	
95TE-0601-07	95Te DUT/MET 230/50 CON PAL	
95TE-0801-07	95Te POR/MET 230/50 CON PAL	
95TE-1601-07	95Te ENG/TUR 230/50 CON PAL	0017-00003-0890 LINE-CORD: U.K; R/A
95TE-0102-07	95Te ENG+MET 240/50 UK PAL	
95TE-0109-07	95Te ENG+MET 230/50 UK PAL	0017-00003-0996 LINE-CORD: IEC; AUSTRALIAN; 230/50 C
95TE-0104-07	95Te ENG+MET 240V+ AUS PAL	

Optional Line Cords		
0017-00003-0947	LINE-CORD: 120V; 20A;	12'
0017-00003-0915	LINE-CORD: R/A 120V	8'
0017-00003-0980	LINE-CORD: R/A; NEMA 5-20 144"	12'
0017-00003-0981	LINE-CORD: R/A; W/PLUG 220/60	7.5'
0017-00003-0948	LINE-CORD: 220V; 15A;	12'



120V DOMESTIC



200-240V ONLY

