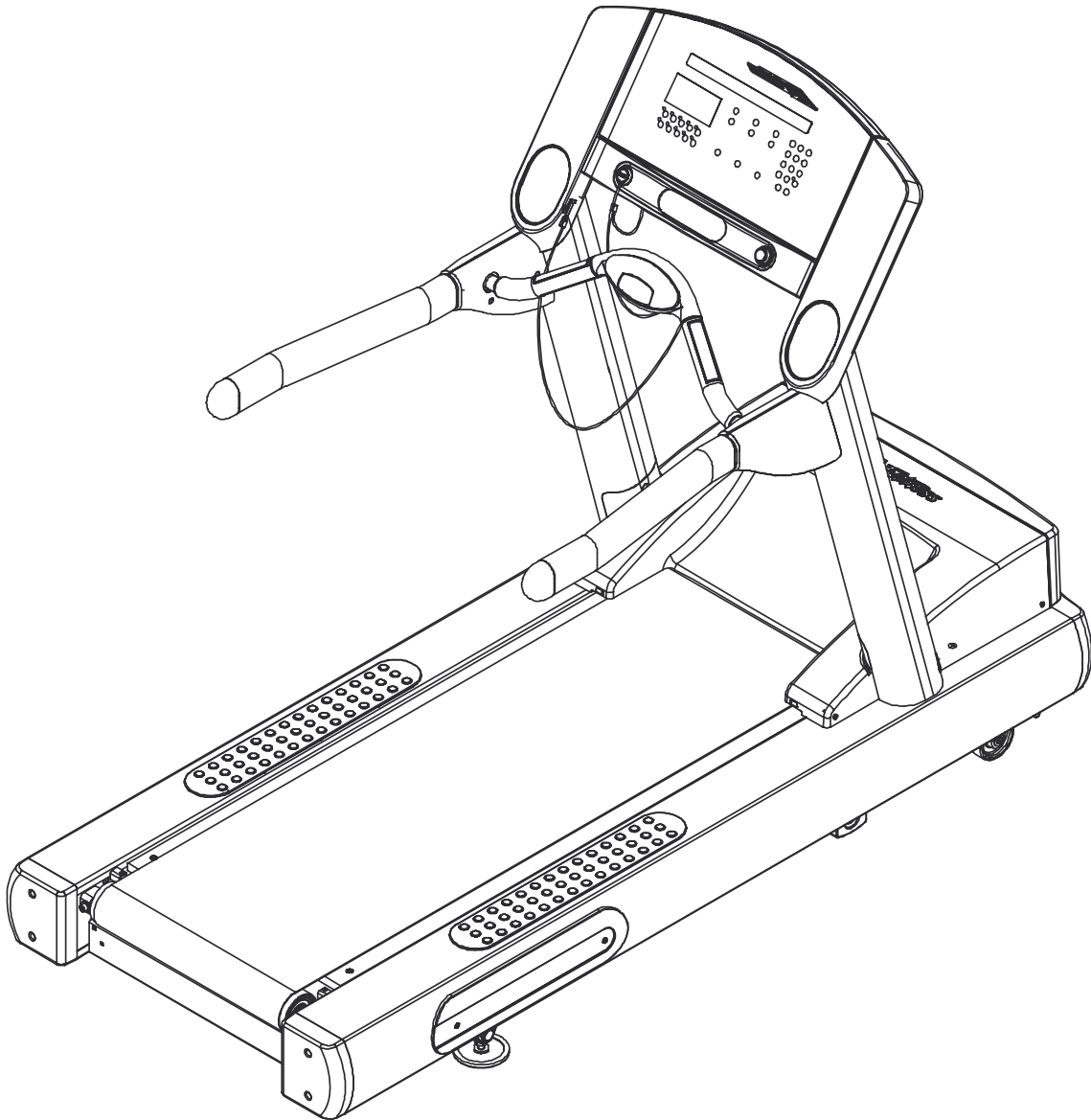


LifeFitness

ATW
ARCTIC SILVER 97TE TREADMILL
97TE-XXXX-02



Customer Support Services
PARTS MANUAL rev. 01 June 2012

	Page
MISCELLANEOUS	3
REAR ENDCAPS AND CUP HOLDERS	4
SCUFF PAD, TINSEL AND FRAME TAG BOARD	5
CONSOLE ASSEMBLY	6
CONSOLE COMPONENTS	7
HAND RAIL ASSEMBLY	8
MOTOR COVER, FRONT COVER AND FRONT ENDCAPS	9
BELT, DECK AND REAR ROLLER	10
LIFT FRAME AND MOTOR	11
WAX/LIFT ASSEMBLY	12
MOTOR CONTROLLER ASSEMBLY	13
DRIVE MOTOR ASSEMBLY	14
IDLER ARM ASSEMBLY AND STATIC BRUSH	15
LEG LEVELER ASSEMBLY	16
FRONT ROLLER ASSEMBLY	17
ERGO BAR WITH LIFE PULSE	18
POWER COMPONENTS SCHEMATIC 1	19
POWER COMPONENTS SCHEMATIC 2	20
CABLES	21

ARCTIC SILVER 97TE

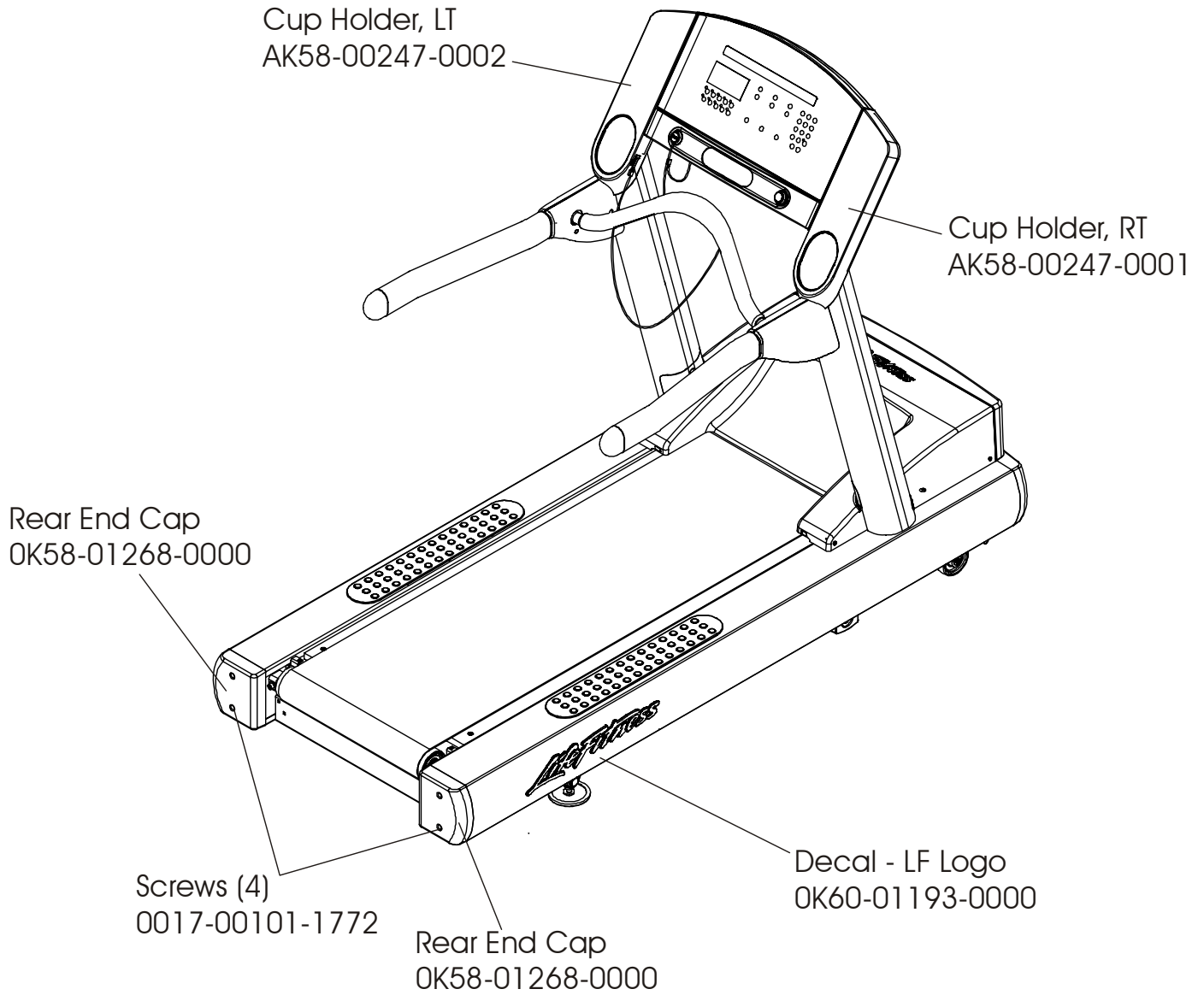
Miscellaneous

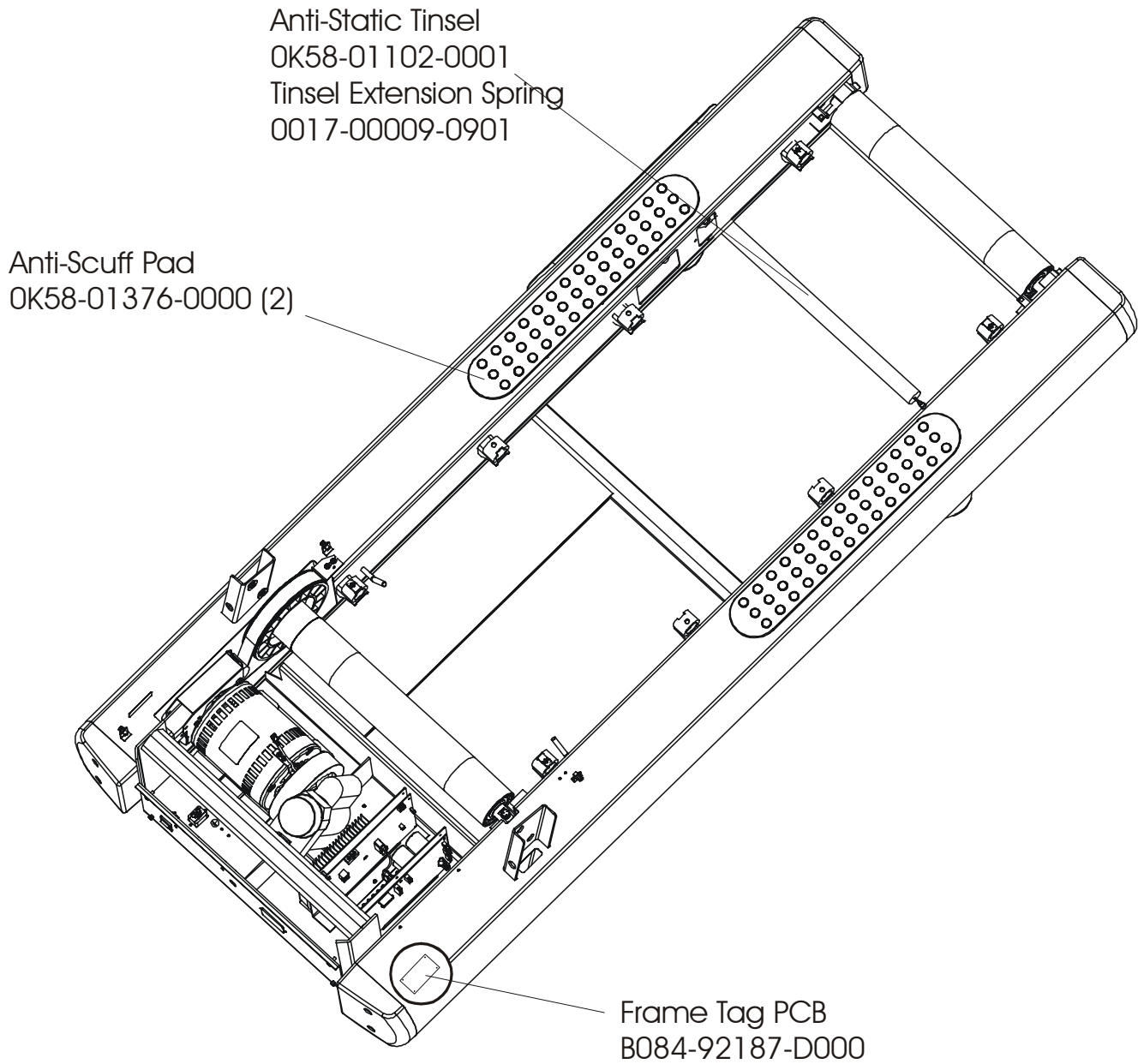
97TE-0XXX-02S/N ATW100000 and up

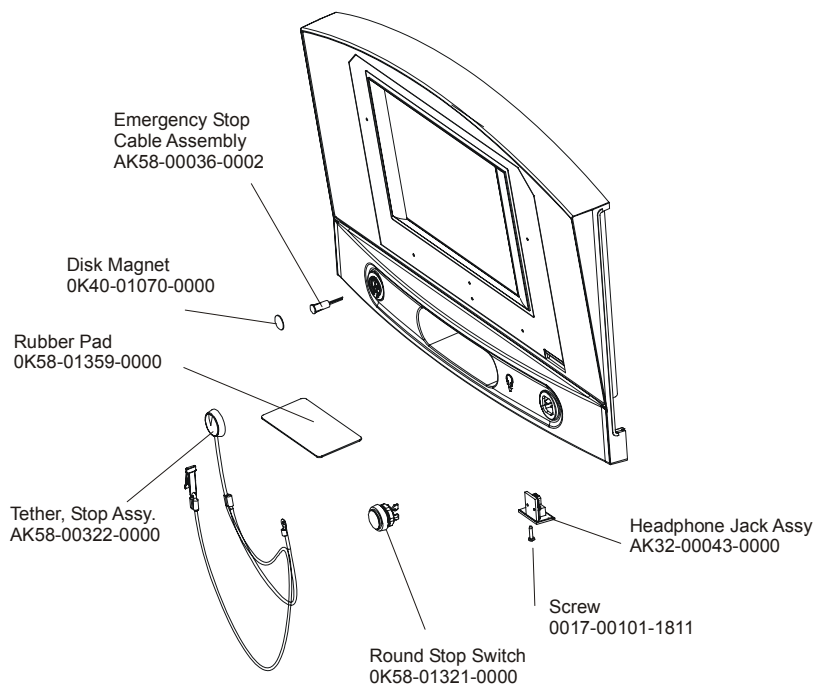
OPERATION MANUAL	M051-00K58-A185
SERVICE MANUAL	M051-00K58-A159
HARDWARE BAG	AK58-00226-0000
TOUCH UP PAINT: SPRAY CAN .5 OZ BOTTLE W/APPLICATOR .33 OZ PEN	0017-00008-0204 0017-00008-0205 0017-00008-0206
INSTALLATION INSTRUCTIONS	M051-00K58-A189

ARCTIC SILVER 97Te
Rear End Caps and Cup Holders

97TE-0XXX-02
S/N ATW100000 and up







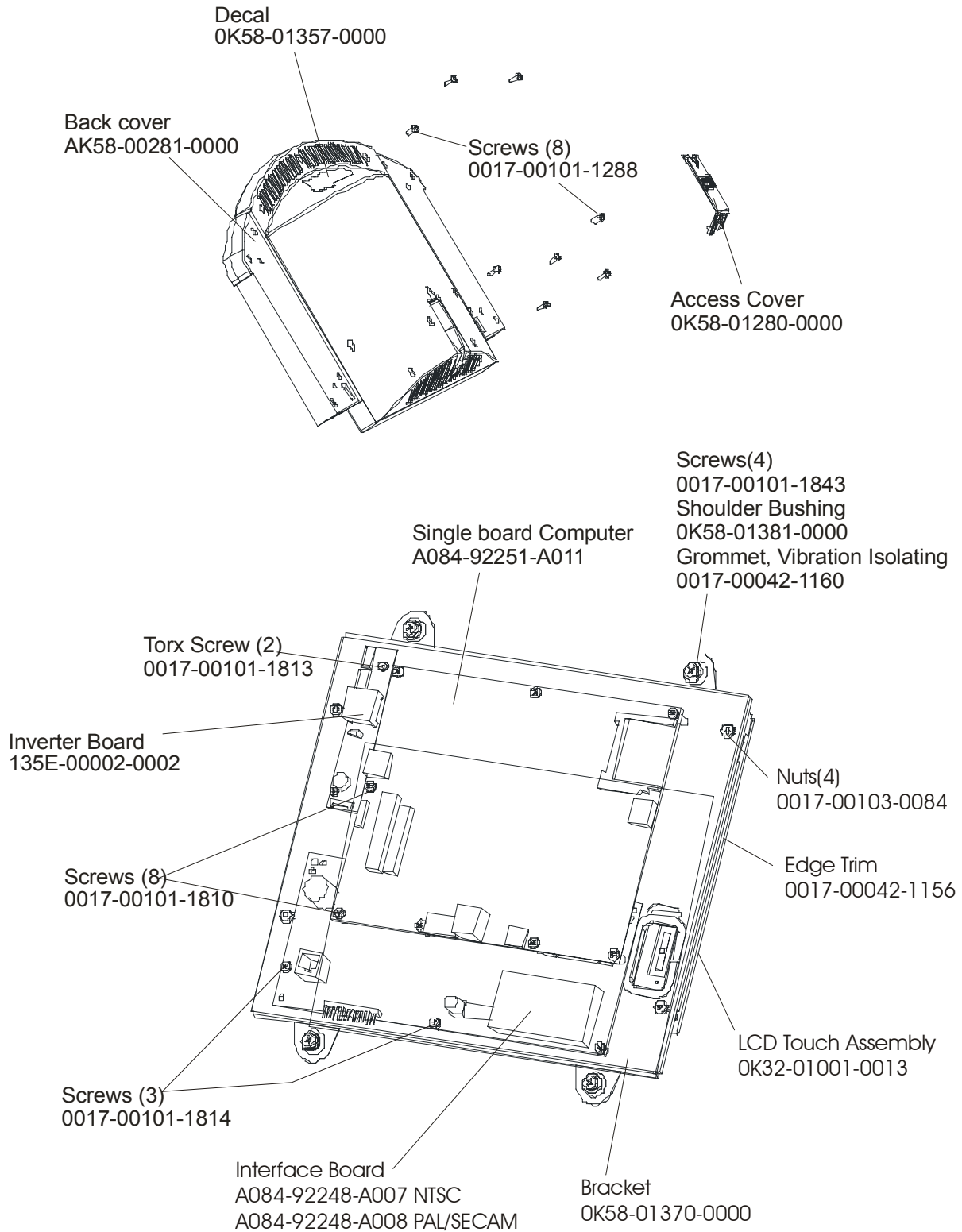
CONSOLE ASSEMBLY	
Part Number	Description
GK58-00002-0099	CONS W/FM ENG/ NTSC
GK58-00002-0100	CONS W/FM SPN/ NTSC
GK58-00002-0101	CONS W/FM JAP/ NTSC
GK58-00002-0102	CONS W/FM FRN/ NTSC
GK58-00002-0103	CONS W/FM POR/ NTSC
GK58-00002-0104	CONS W/FM ENG/ PAL
GK58-00002-0105	CONS W/FM GER/ PAL
GK58-00002-0106	CONS W/FM SPN/ PAL
GK58-00002-0107	CONS W/FM FRN/ PAL
GK58-00002-0108	CONS W/FM ITAL/PAL
GK58-00002-0109	CONS W/FM DUT/ PAL
GK58-00002-0110	CONS W/FM POR/ PAL
GK58-00002-0111	CONS W/FM TUR/ PAL

OVERLAY BEZEL ASSEMBLY	
Part Number	Description
AK58-00516-0001	BZL/SW W/OVERLAY ASSY: MFG; ENG/NTSC
AK58-00516-0004	BZL/SW W/OVERLAY ASSY: MFG; SPN/NTSC
AK58-00516-0006	BZL/SW W/OVERLAY ASSY: MFG; JAP/NTSC
AK58-00516-0007	BZL/SW W/OVERLAY ASSY: MFG; FRN/NTSC
AK58-00516-0010	BZL/SW W/OVERLAY ASSY: MFG; POR/NTSC
AK58-00517-0001	BZL/SW W/OVERLAY ASSY: MFG; ENG/PAL
AK58-00517-0003	BZL/SW W/OVERLAY ASSY: MFG; GER/PAL
AK58-00517-0004	BZL/SW W/OVERLAY ASSY: MFG; SPN/PAL
AK58-00517-0007	BZL/SW W/OVERLAY ASSY: MFG; FRN/PAL
AK58-00517-0008	BZL/SW W/OVERLAY ASSY: MFG; ITL/PAL
AK58-00517-0009	BZL/SW W/OVERLAY ASSY: MFG; DUT/PAL
AK58-00517-0010	BZL/SW W/OVERLAY ASSY: MFG; POR/PAL

ARCTIC SILVER 97Te

Console Components

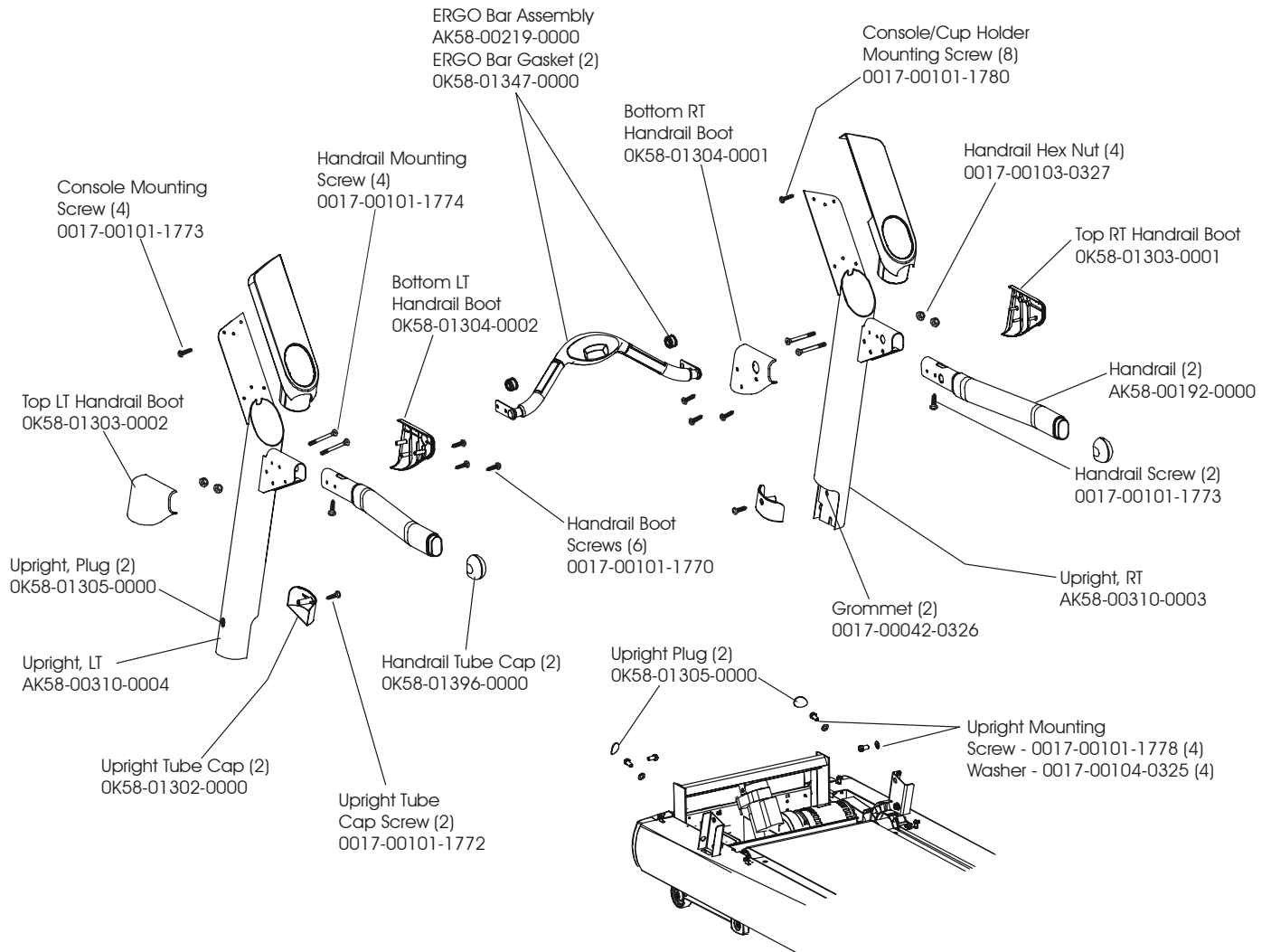
97TE-0XXX-02
S/N ATW100000 and up



ARCTIC SILVER 97Te

Handrail Assembly

97TE-0XXX-02
S/N ATW100000 and up

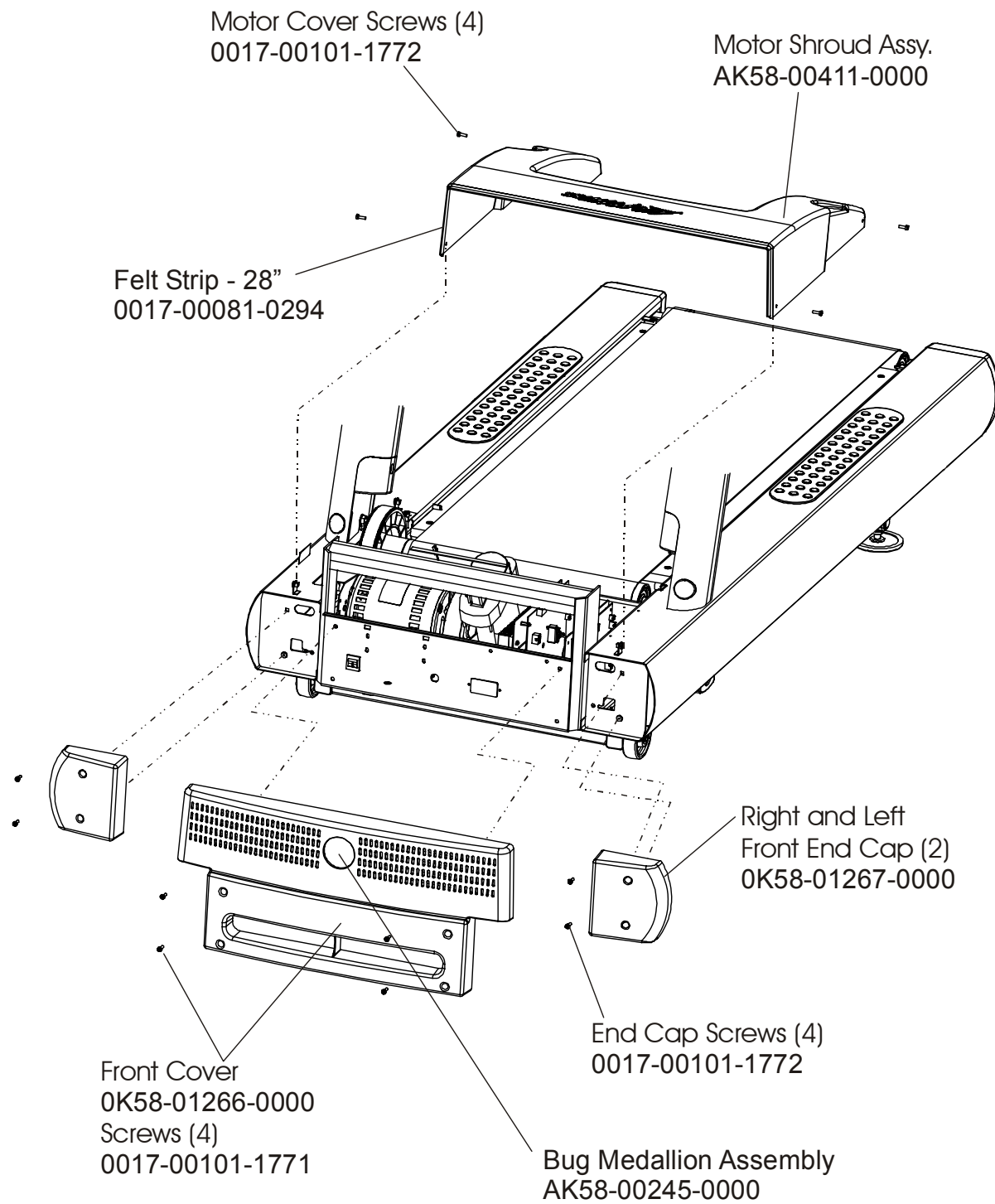


ARCTIC SILVER 97Te

Motor Cover, Front Cover, and Front End Cap

97TE-0XXX-02

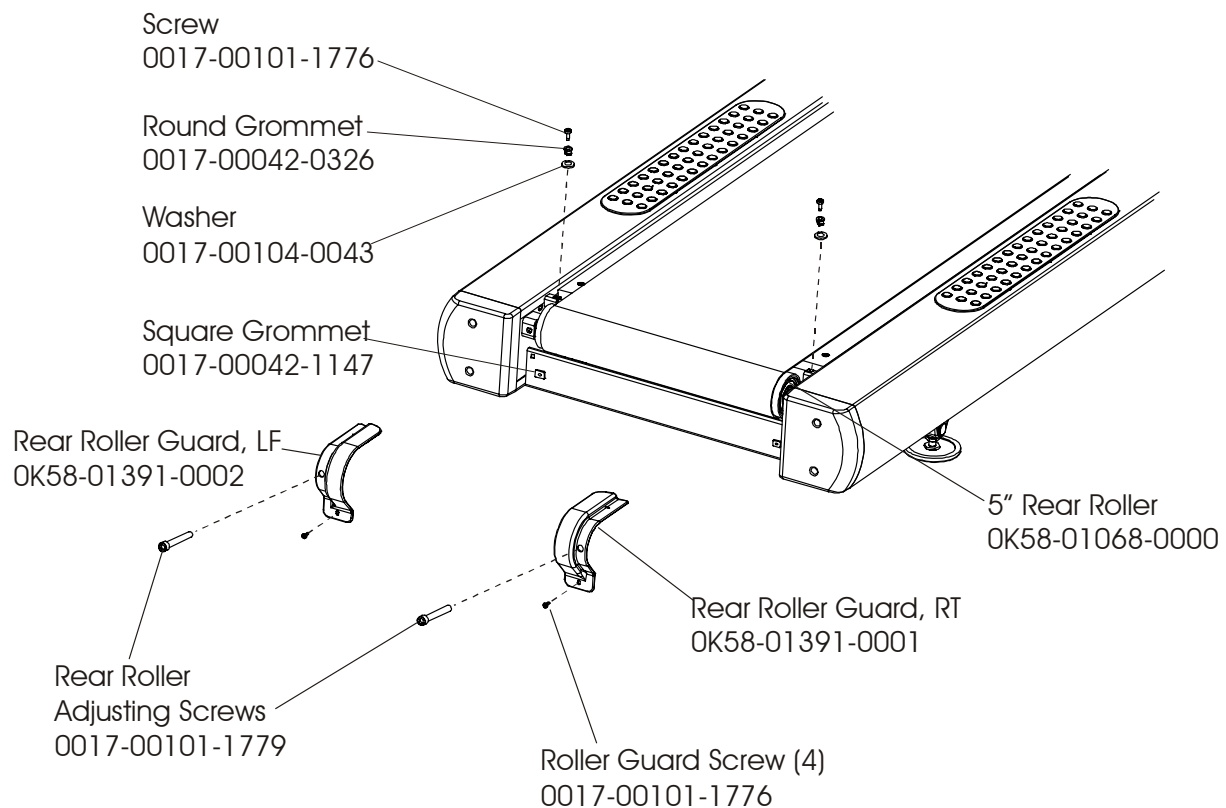
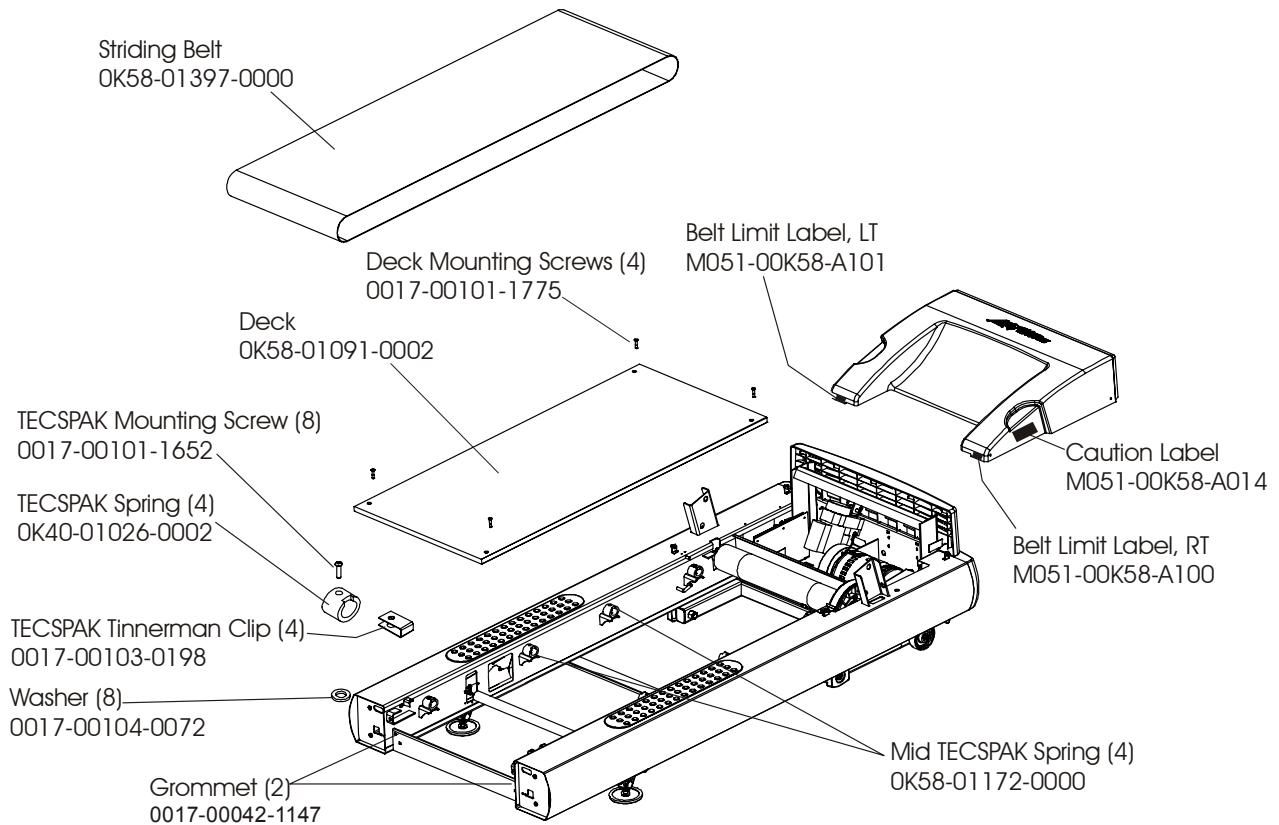
S/N ATW100000 and up



ARCTIC SILVER 97Te

Belt, Deck, and Rear Roller

97TE-0XXX-02
S/N ATW100000 and up

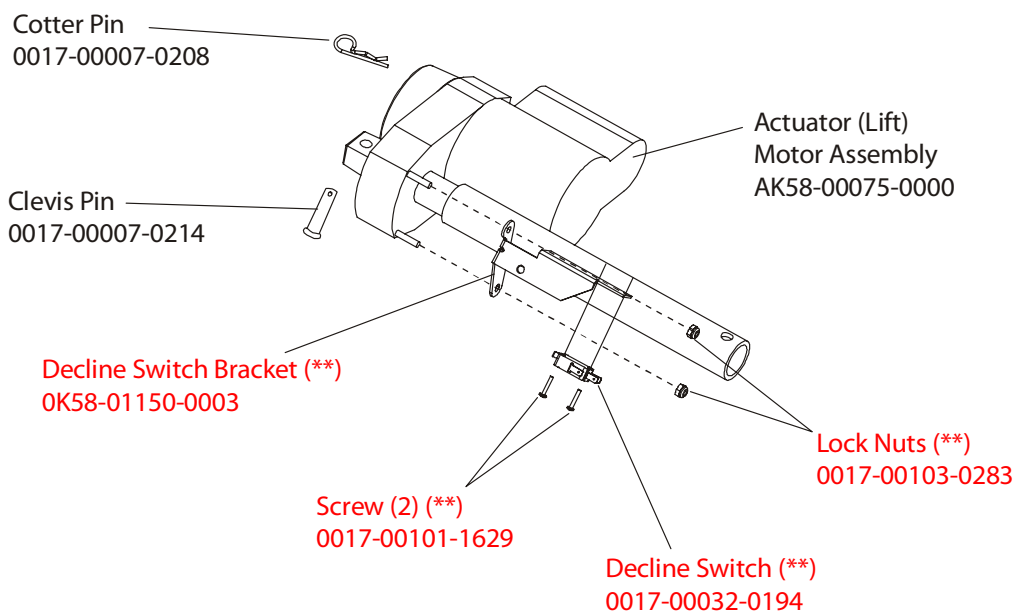
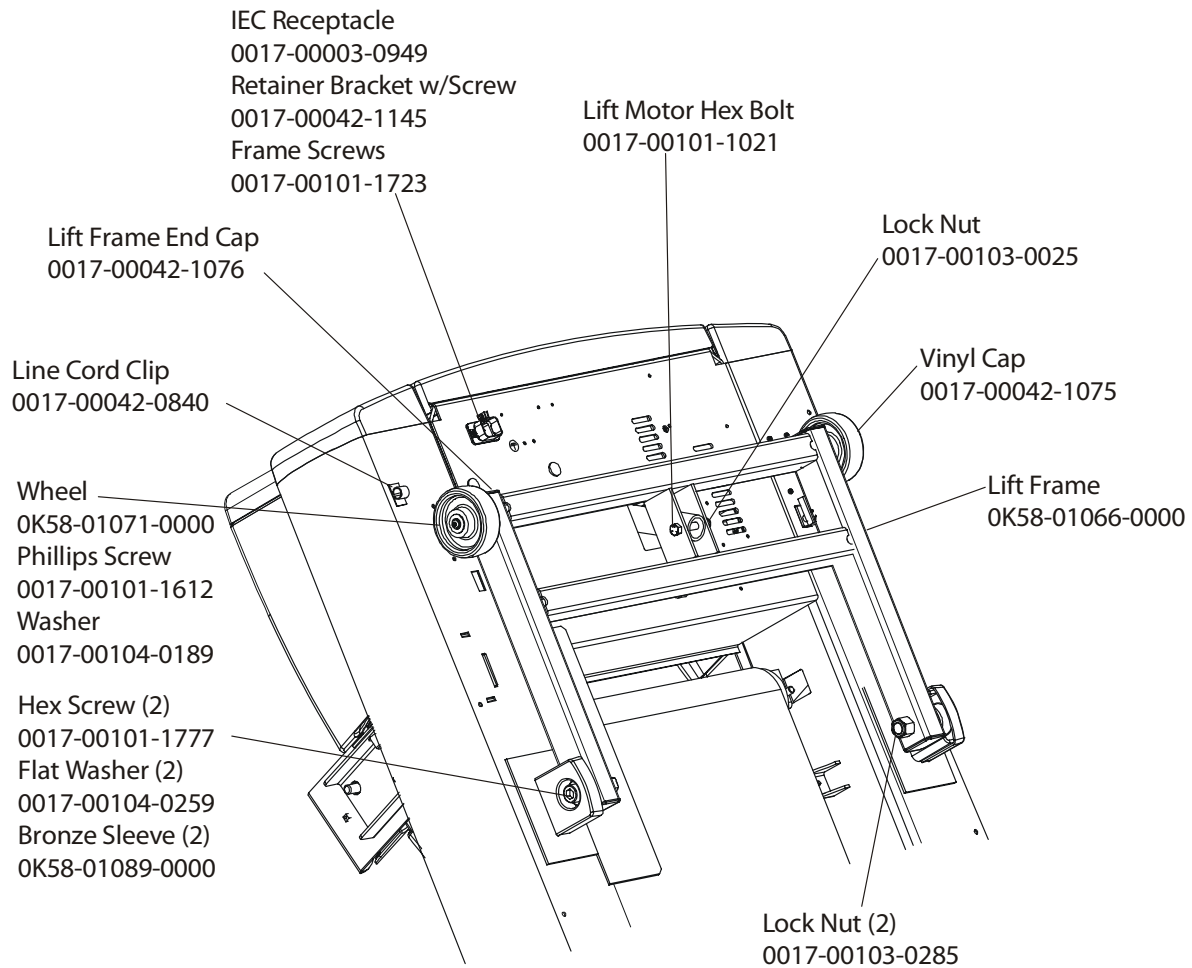


ARCTIC SILVER 97Te

Lift Frame and Motor

97TE-0XXX-02

S/N ATW100000 and up

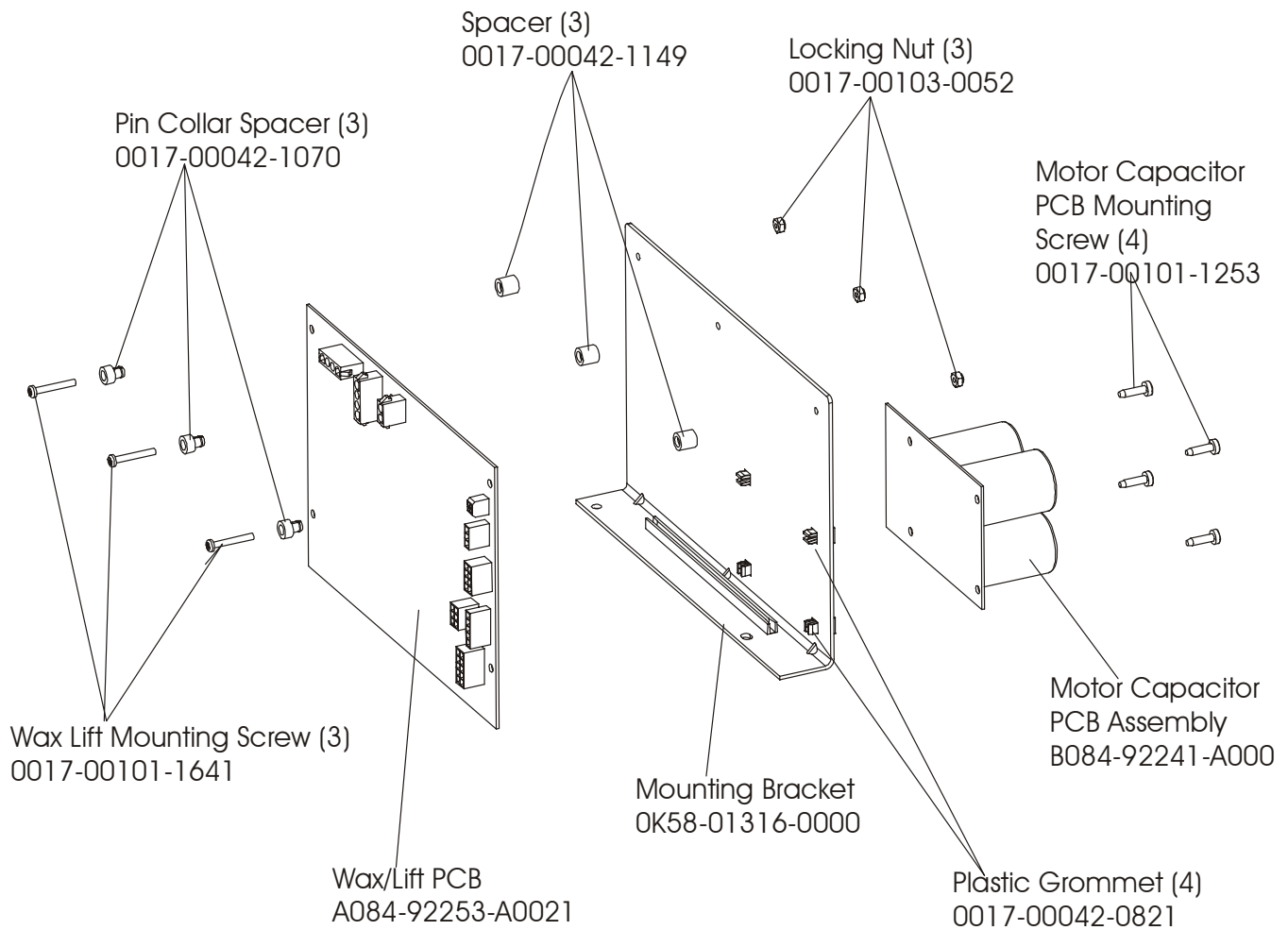


ARCTIC SILVER 97Te

Wax/Lift Assembly- AK58-00296-0001

97TE-0XXX-02

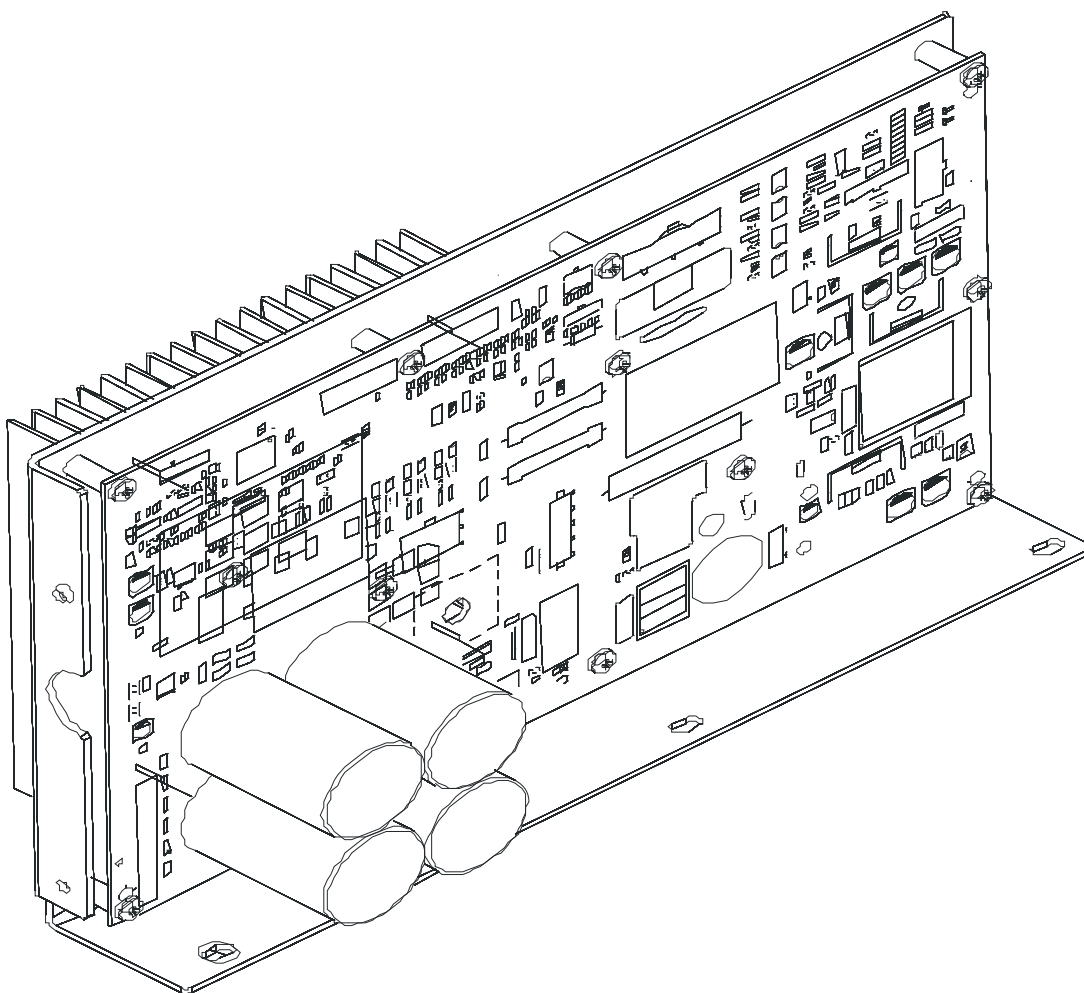
S/N ATW100000 and up



ARCTIC SILVER 97Te
Motor Controller w/Ferrite Assembly

97TE-0XXX-02
S/N ATW100000 and up

GK65-00002-0018 (120V / 60Hz)
GK65-00002-0019 (200-240V / 50Hz)

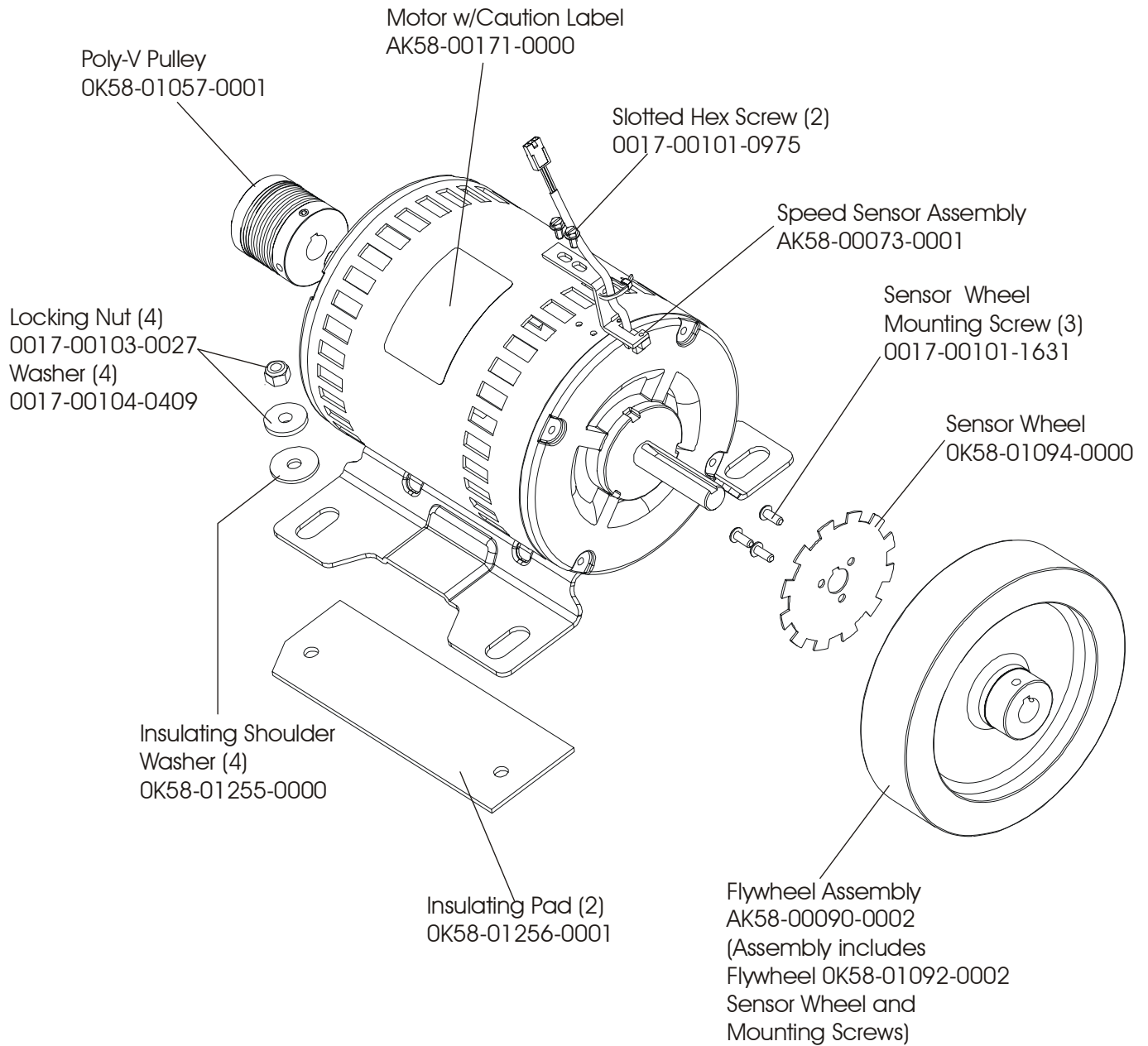


ARCTIC SILVER 97Te

Drive Motor Assembly - AK58-00172-0000

97TE-0XXX-02

S/N ATW100000 and up

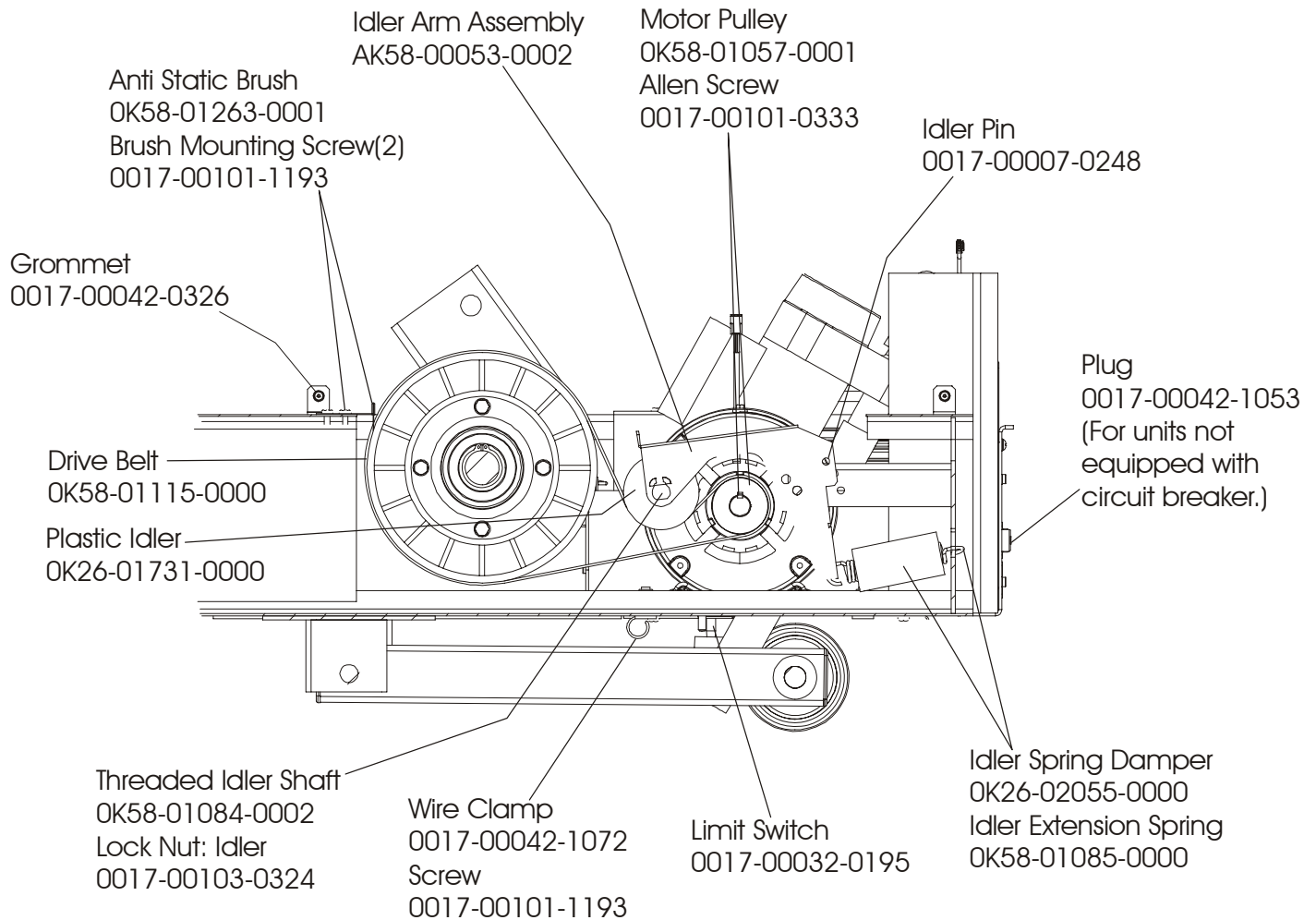


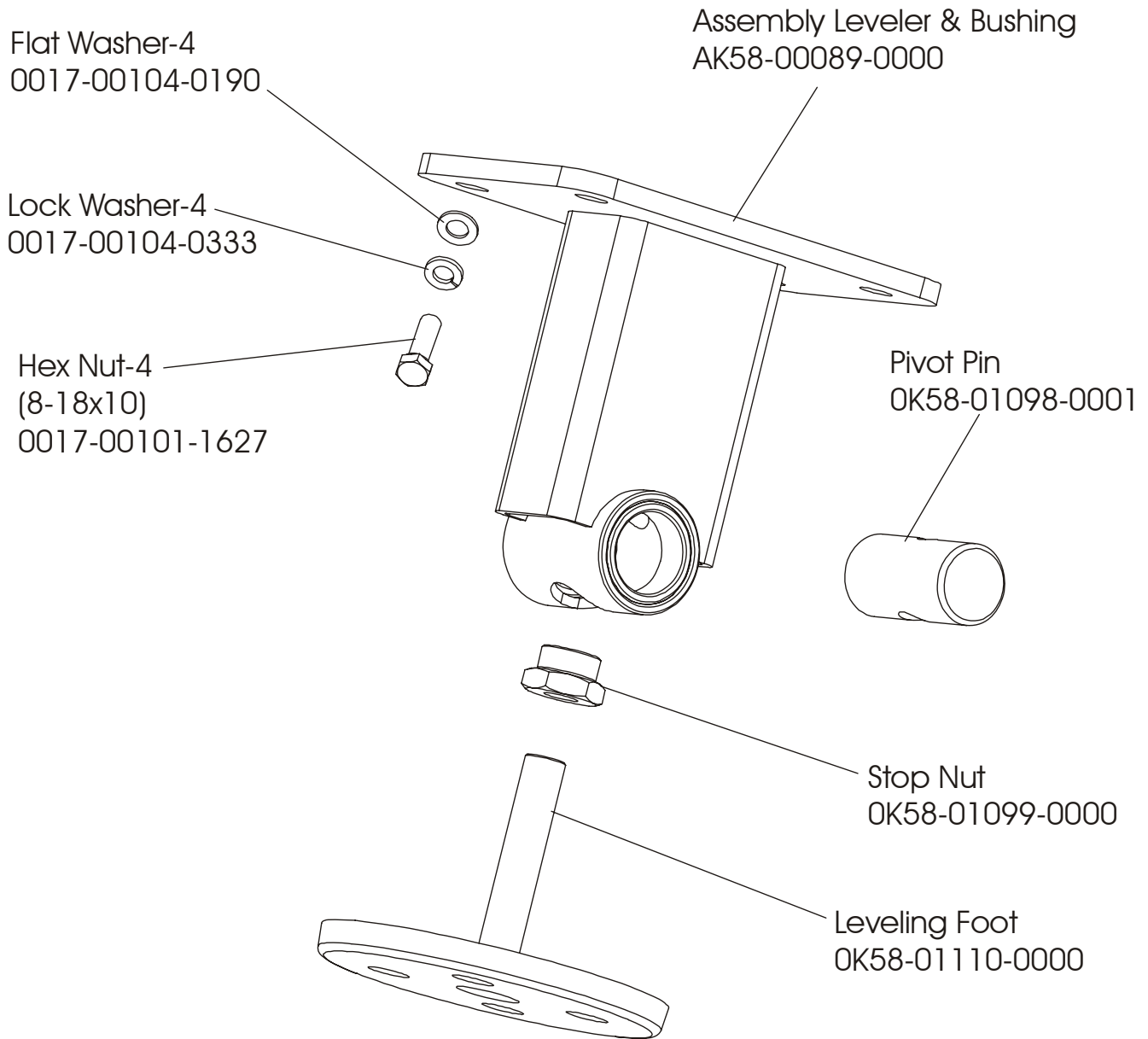
ARCTIC SILVER 97Te

Idler Arm Assembly and Static Brush

97TE-0XXX-02

S/N ATW100000 and up



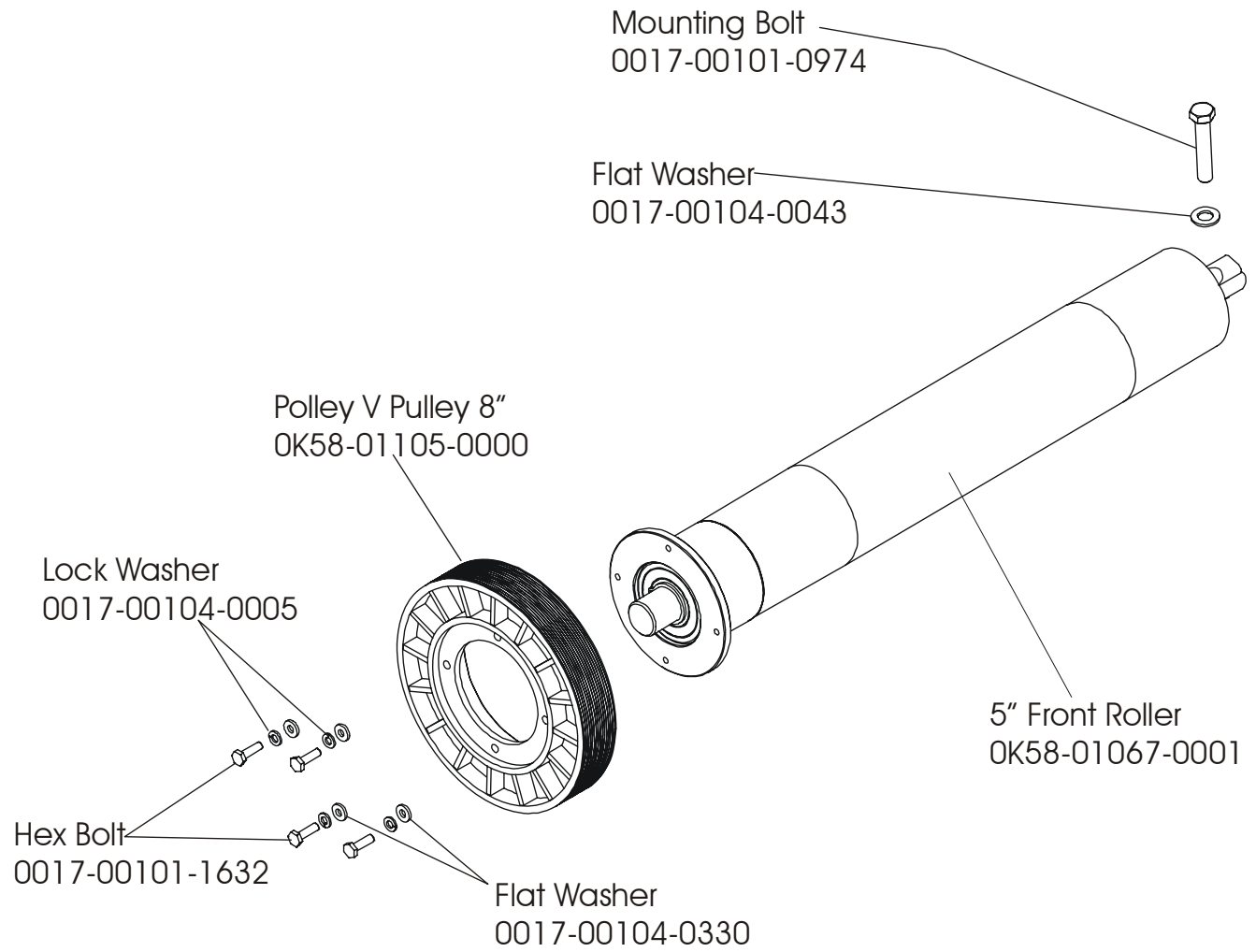


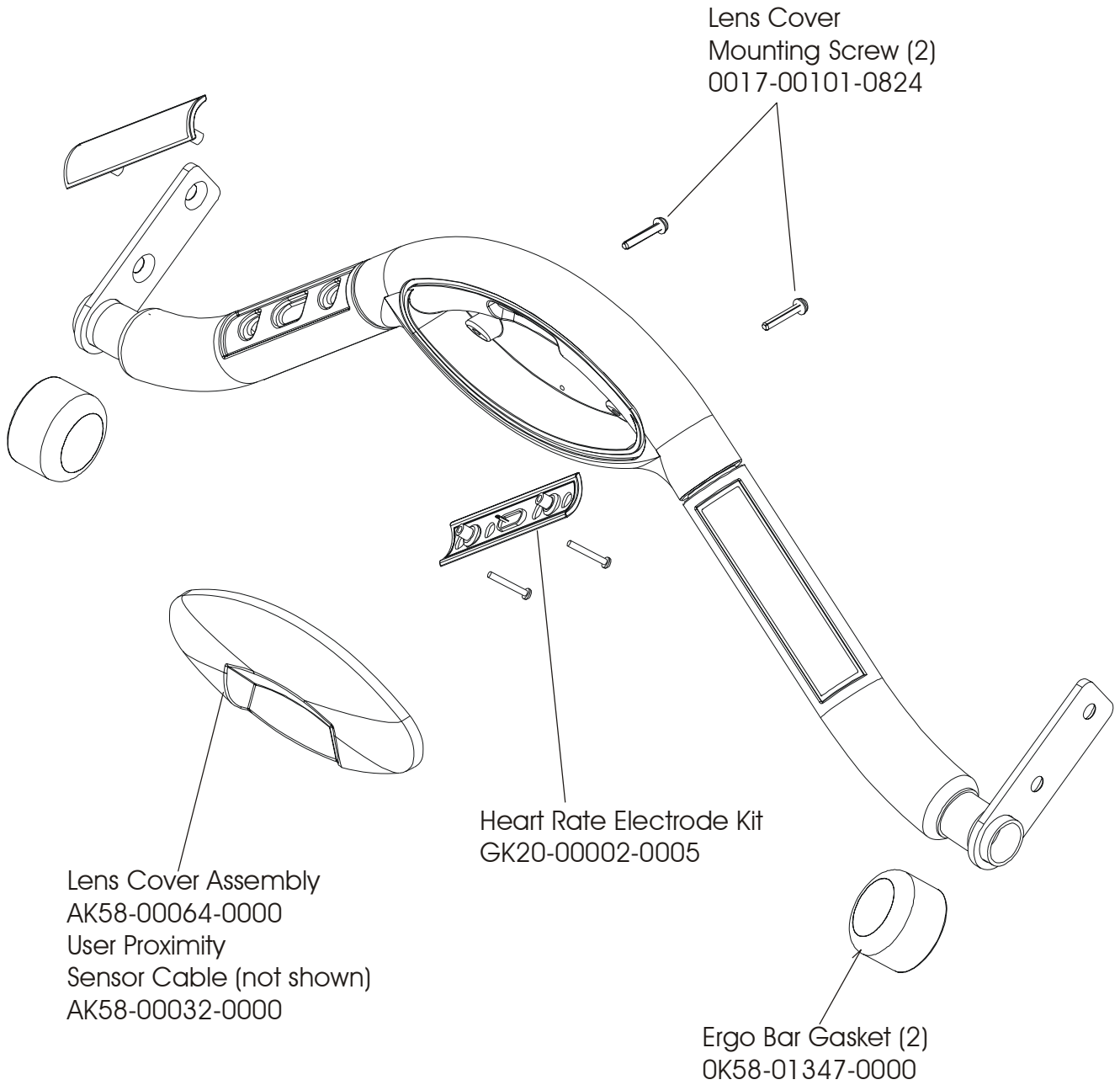
ARCTIC SILVER 97Te

Front Roller Assembly - AK58-00067-0000

97TE-0XXX-02

S/N ATW100000 and up



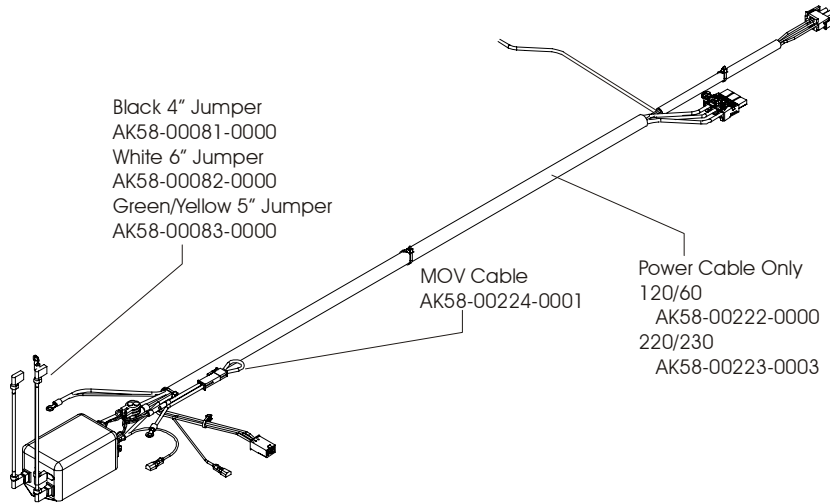
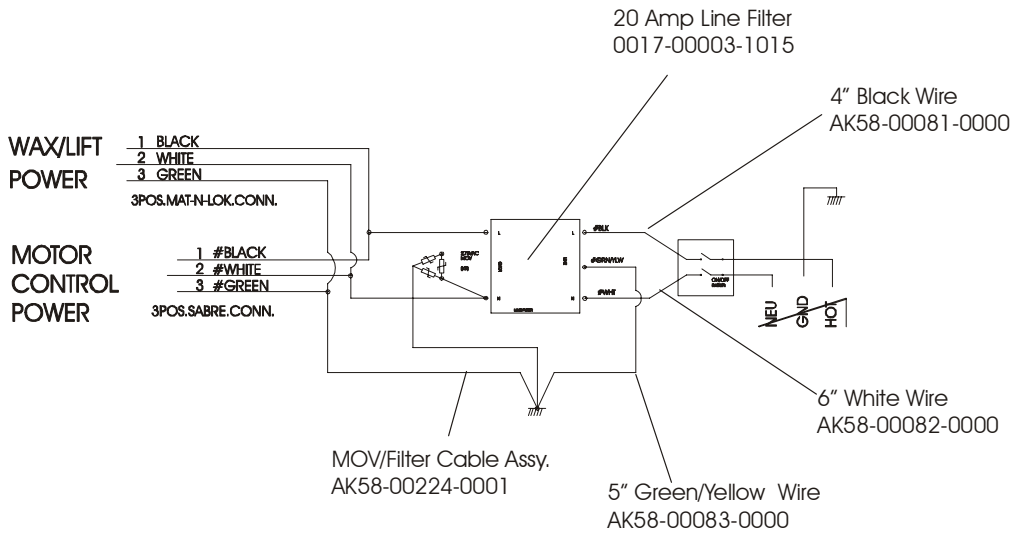


ARCTIC SILVER 97Te

Power Components Schematic 1

97TE-0XXX-02
S/N ATW100000 and up

120V DOMESTIC ONLY



Description	Item	Item	Item
HARNESS-ASSY:MFG;120/60 20A E	0017-00003-1015	AK58-00222-0000	AK32-00265-0001
HARNESS-ASSY:MFG;220/60 20A E	0017-00003-1015	AK58-00223-0003	AK32-00265-0002
HARNESS-ASSY:MFG;230/50 10A E	-	AK58-00223-0003	AK32-00265-0003
HARNESS-ASSY:MFG;240/50 10A E	-	AK58-00223-0004	AK32-00265-0004
HARNESS-ASSY:MFG;240V+ 20A E	0017-00003-1015	AK58-00223-0004	AK32-00265-0005
HARNESS-ASSY:MFG;100/50 20A E	0017-00003-1015	AK58-00223-0001	AK32-00265-0006
HARNESS-ASSY:MFG;200/50 20A E	0017-00003-1015	AK58-00223-0002	AK32-00265-0007

Line Cord (Plug End Changes)
 0017-00003-0947 12' 120v
 0017-00003-0974 Domestic
 0017-00003-0948 12' 220v
 0017-00003-0915 RT Angle Plug
 0017-00003-0781 220v/60Hz
 0017-00003-0696 Continental
 0017-00003-0890 240v/50Hz UK
 0017-00003-0996 240v+ AUS

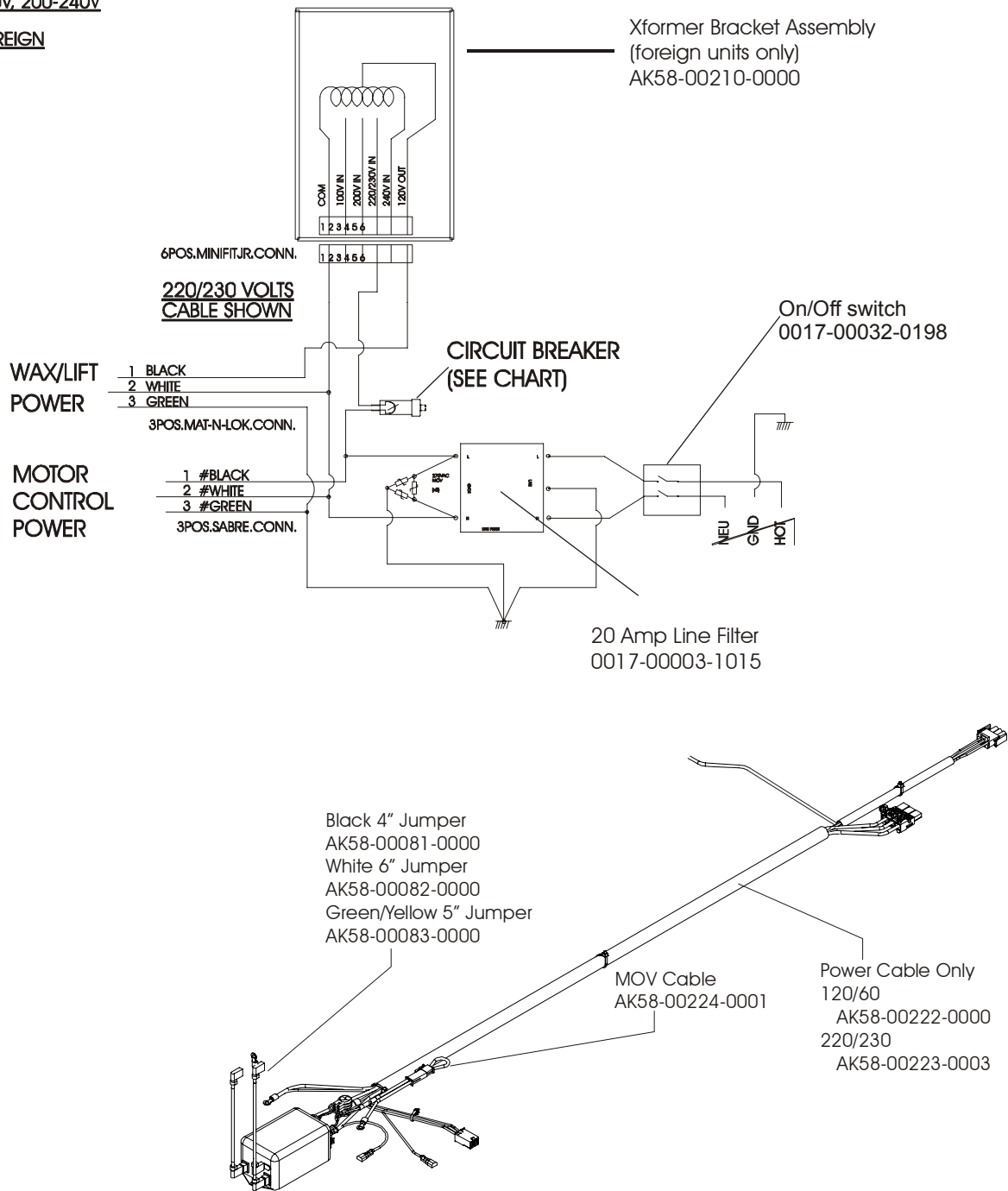
ARCTIC SILVER 97Te

Power Components Schematic 2

97TE-0XXX-02
S/N ATW100000 and up

100V, 200-240V

FOREIGN



Description	Item	Item	Item
HARNESS-ASSY:MFG;120/60 20A E	0017-00003-1015	AK58-00222-0000	AK32-00265-0001
HARNESS-ASSY:MFG;220/60 20A E	0017-00003-1015	AK58-00223-0003	AK32-00265-0002
HARNESS-ASSY:MFG;230/50 10A E	-	AK58-00223-0003	AK32-00265-0003
HARNESS-ASSY:MFG;240/50 10A E	-	AK58-00223-0004	AK32-00265-0004
HARNESS-ASSY:MFG;240V+ 20A E	0017-00003-1015	AK58-00223-0004	AK32-00265-0005
HARNESS-ASSY:MFG;100/50 20A E	0017-00003-1015	AK58-00223-0001	AK32-00265-0006
HARNESS-ASSY:MFG;200/50 20A E	0017-00003-1015	AK58-00223-0002	AK32-00265-0007

Line Cord (Plug End Changes)
0017-00003-0947 12' 120v
0017-00003-0974 Domestic
0017-00003-0948 12' 220v
0017-00003-0915 RT Angle Plug
0017-00003-0781 220v/60Hz
0017-00003-0696 Continental
0017-00003-0890 240v/50Hz UK
0017-00003-0996 240v+ AUS

ARCTIC SILVER 97Te

Cables

97TE-0XXX-02
S/N ATW100000 and up

