

# PWR PLAY ATTACHED CABLE CROSSOVER STATION

PP-ACO

## Parts Manual

1/5/2019 15:54:22 PM

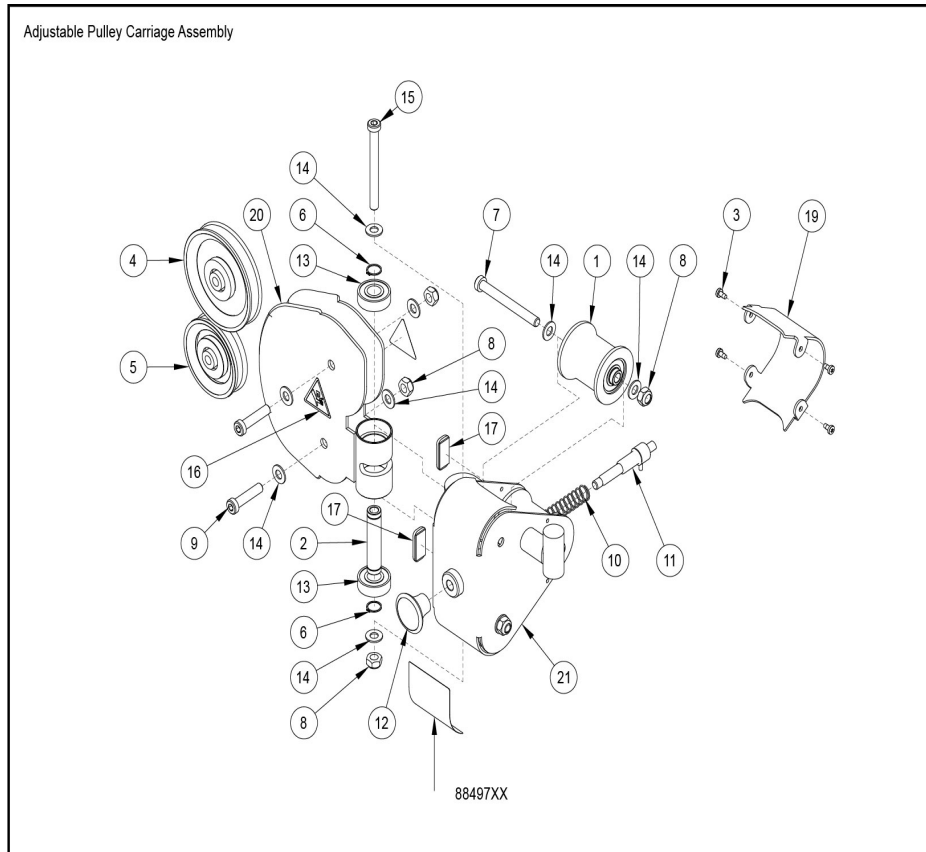


**Table of Contents**

---

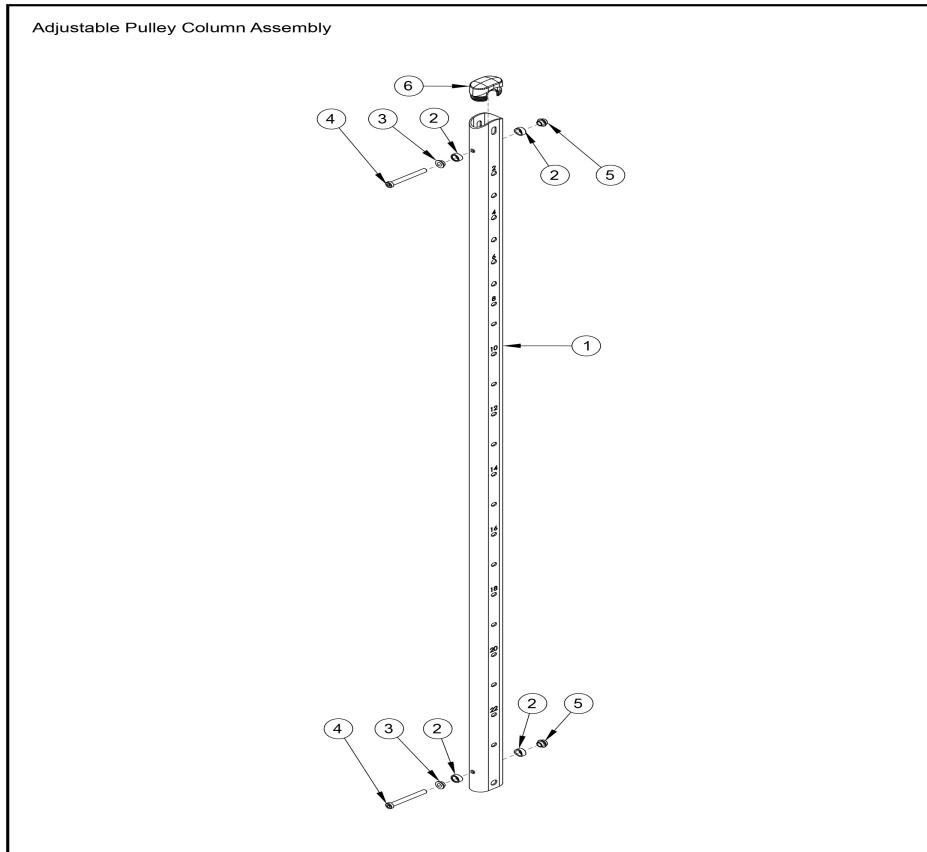
<a href="#">Adjustable Pulley Carriage Assembly</a> .....	3
<a href="#">Adjustable Pulley Column Assembly</a> .....	4
<a href="#">Base Support Assembly</a> .....	5
<a href="#">Boom Assembly</a> .....	6
<a href="#">Hardware Kit 1</a> .....	7
<a href="#">Hardware Kit 2</a> .....	8
<a href="#">Increment Weight Assembly</a> .....	9
<a href="#">Optional Shrouds</a> .....	10
<a href="#">PP-ACO Assembly</a> .....	11
<a href="#">PP-ACO Tower Assembly</a> .....	13
<a href="#">PP-CORE Assembly</a> .....	15
<a href="#">X-Beam Assembly</a> .....	16
<a href="#">190lb Stack Assembly</a> .....	17

# Adjustable Pulley Carriage Assembly



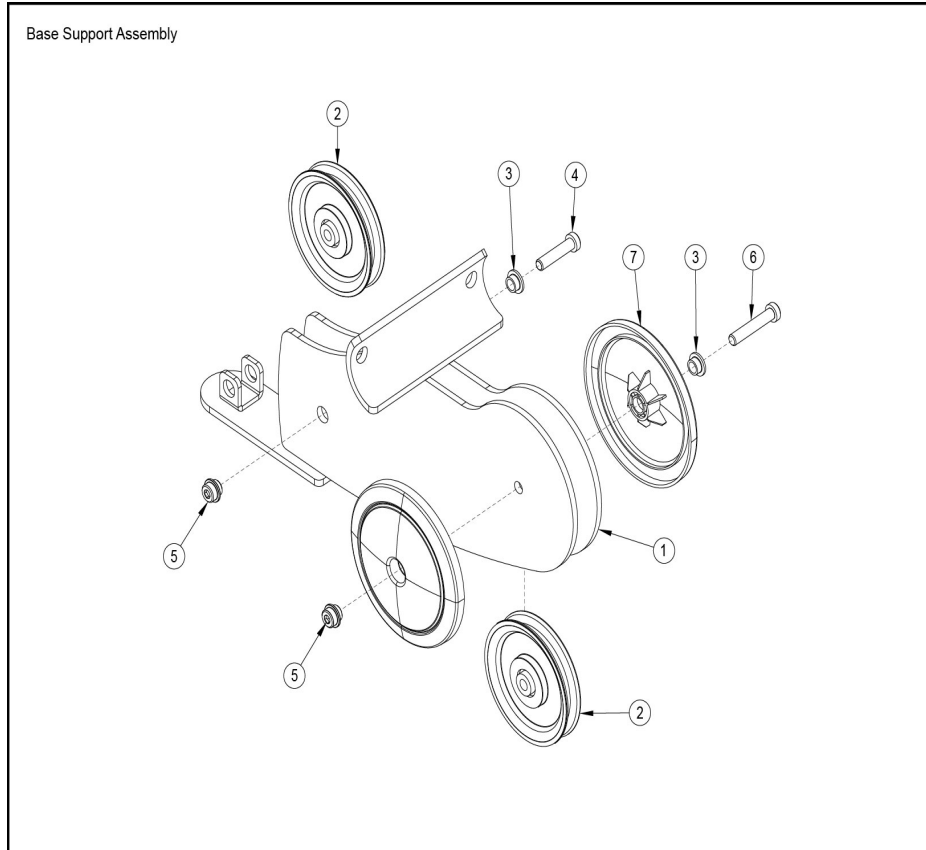
Ref #	Part Number	Qty	Description
1	7637901	3	Assembly Roller-Concave
2	7645401	1	Shaft CM/MJ 6203 Bearing
3	3270601	4	Hardware: Screw 3/8"
4	3237802	1	PULLEY, 1/4 IN CABLE (T3), 4.5 IN OD
5	3245702	1	PULLEY, 3.5IN OD, 10MM ID -CHR
6	3232413	2	Retaining Ring 0.631" D
7	3236216	3	Hardware: Screw 95MM
8	3236801	6	Hardware: Nut 10 MM ID
9	3236206	2	Hardware: Screw 45MM
10	7351501	1	Pull Pin Spring
11	1002880-0001	1	ASSY, CM/MJ PIN-PULL, BEVEL NOSE
12	11040-440	1	KNOB
13	3245901	2	Bearing
14	3273303	12	Hardware: WasherR, 3/8, THRU-HARDENED
15	3236217	1	Hardware: Screw 100MM
16	8039501	2	Label Warning Triangle 10-0099-067 BNR
17	7570802	2	GUARD, PAINT, 1.25 x .75 x .25, BLK
18	8849701	1	Label, Warning Adj Carriage-English
19	7631801	1	Bracket CM/MJ Carriage Shroud
20	7633301	1	Weldment CM/MJ Swivel Pulley
21	8327601	1	WLDMT, MJ ADJ PULLEY CARRIAGE White

# Adjustable Pulley Column Assembly



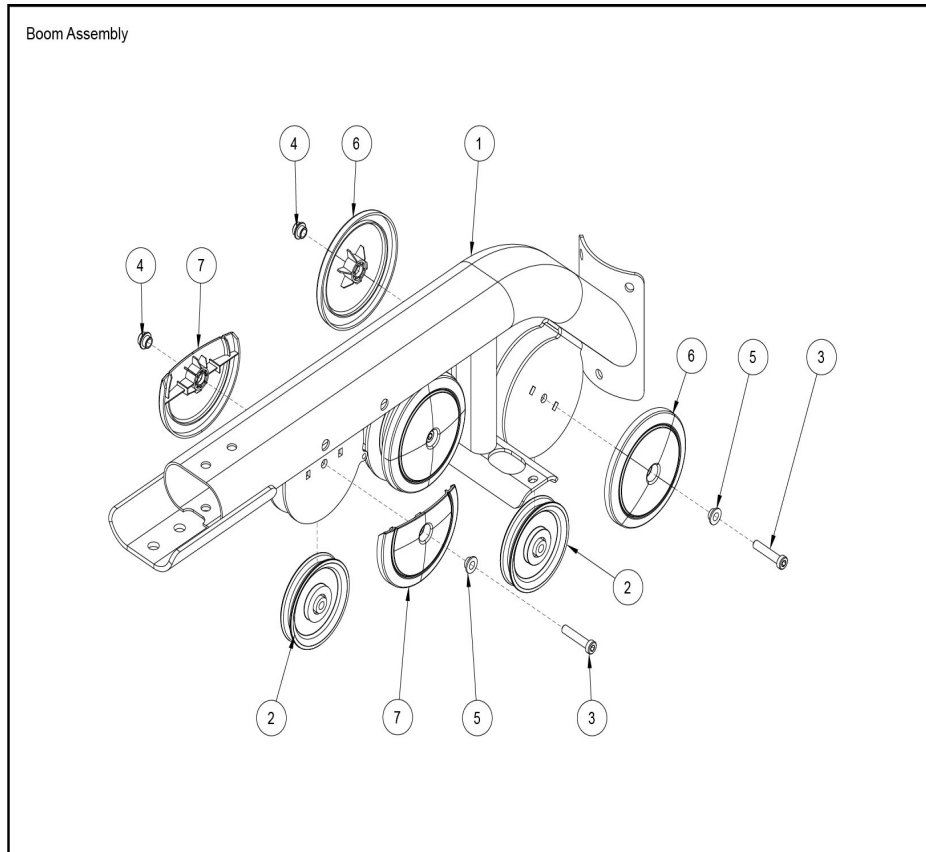
Ref #	Part Number	Qty	Description
1	8264101	1	Tube CM/MH Adj Column
2	7645502	4	SPACER, SM FLOV CONCAVE -CHR
3	7630101	2	Retainer CM/MJ Pulley
4	3236215	2	Hardware: Screw 90MM
5	7335401	2	Hardware: Nut 10 MM ID
6	7333802	1	CAP, SMALL FLOV-END

## Base Support Assembly



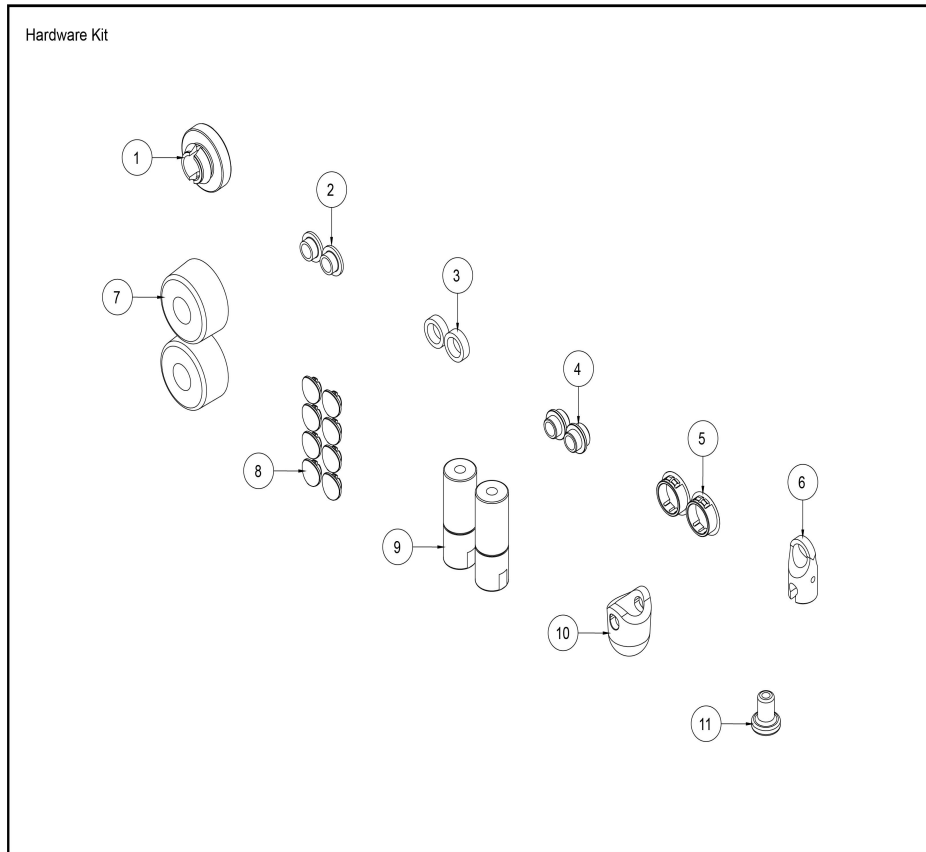
Ref #	Part Number	Qty	Description
1	7634801	1	Weldment MJ ADJ PULLEY BASE
2	3237802	2	PULLEY, 1/4 IN CABLE (T3), 4.5 IN OD
3	7630101	2	Retainer CM/MJ Pulley
4	3236206	1	Hardware: Screw 45MM
5	7335401	2	Hardware: Nut 10 MM ID
6	3236208	1	Hardware: Screw 55MM
7	7629902	2	COVER, PULLEY-BOLTED FULL

# Boom Assembly



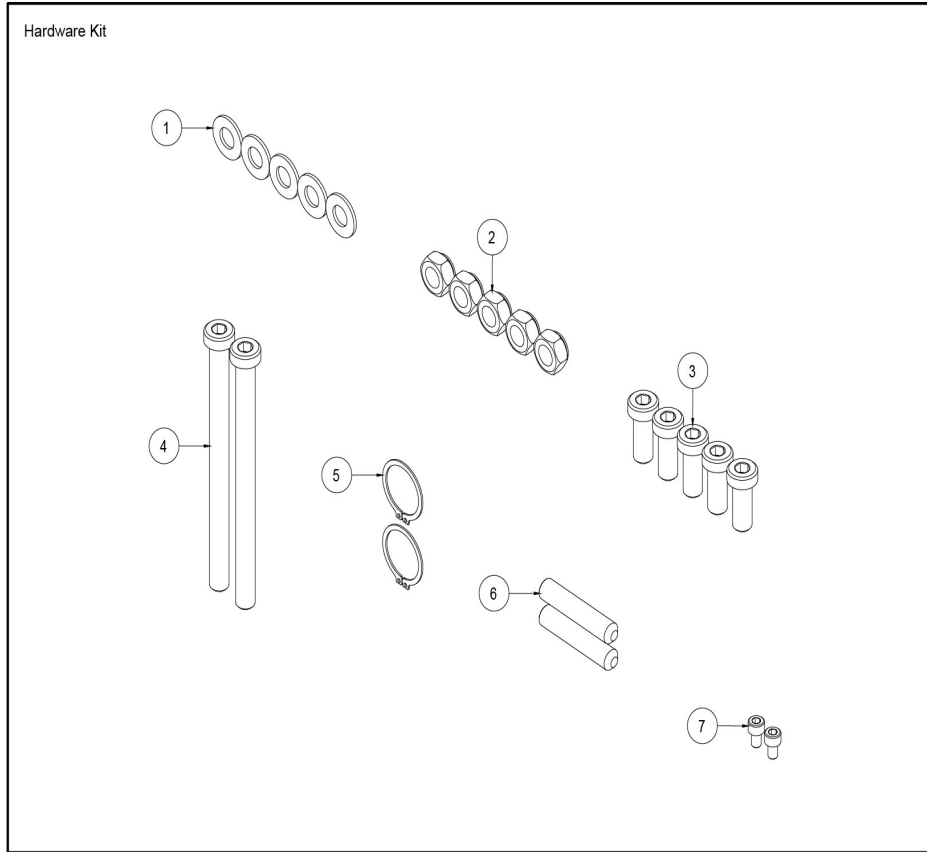
Ref #	Part Number	Qty	Description
1	7638301	1	Weldment MJACO/AXO BOOM
2	3237802	3	PULLEY, 1/4 IN CABLE (T3), 4.5 IN OD
3	3236207	3	Hardware: Screw 50MM
4	7335401	3	Hardware: Nut 10 MM ID
5	7630101	3	Retainer CM/MJ Pulley
6	7629902	4	COVER, PULLEY-BOLTED FULL
7	7630002	2	COVER, PULLEY BOLTED PARTIAL

# Hardware Kit 1



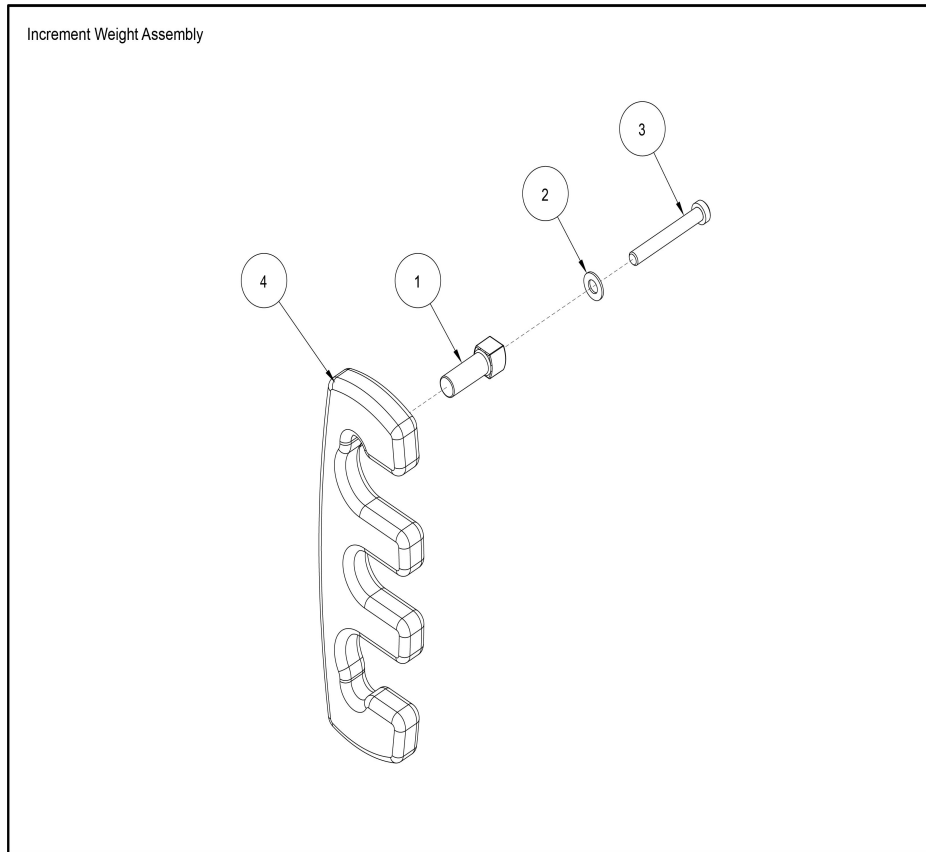
Ref #	Part Number	Qty	Description
1	7642302	1	PLUG, CM/MJ, PLUG -CHR
2	7630101	2	Retainer CM/MJ Pulley
3	7634701	2	Spacer CM/MJ .565 X .815
4	7335401	2	Hardware: Nut 10 MM ID
5	3237407	2	PLUG, 1 IN HOLE
6	8943601	1	Link CM/MJ Cable End
7	7352101	2	Cushion Weight Stack
8	7646802	8	PLUG, CURVED HOLE -CHR
9	7634401	2	Retainer CM/MJ Guide Rod
10	8943702	1	HSNG, CABLE END -CHR
11	8943802	1	INSERT, CABLE END -CHR

## Hardware Kit 2



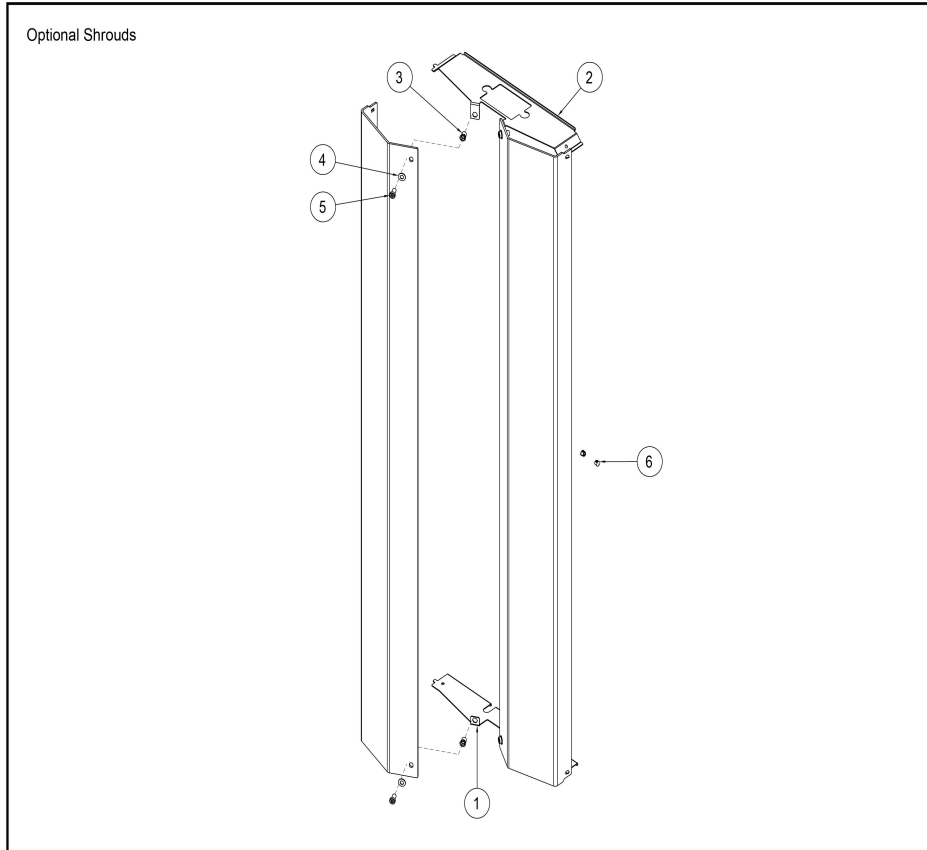
Ref #	Part Number	Qty	Description
1	3273303	5	Hardware: WasherR, 3/8, THRU-HARDENED
2	3236801	5	Hardware: Nut 10 MM ID
3	3236202	5	Hardware: Screw 25MM
4	3236220	2	Hardware: Screw 130MM
5	3232421	2	Retaining Ring 0.940" D
6	3240502	2	Set Screw
7	3250002	2	M5 X 0.8 X 8 HXS SOC CS ST BZ

## Increment Weight Assembly



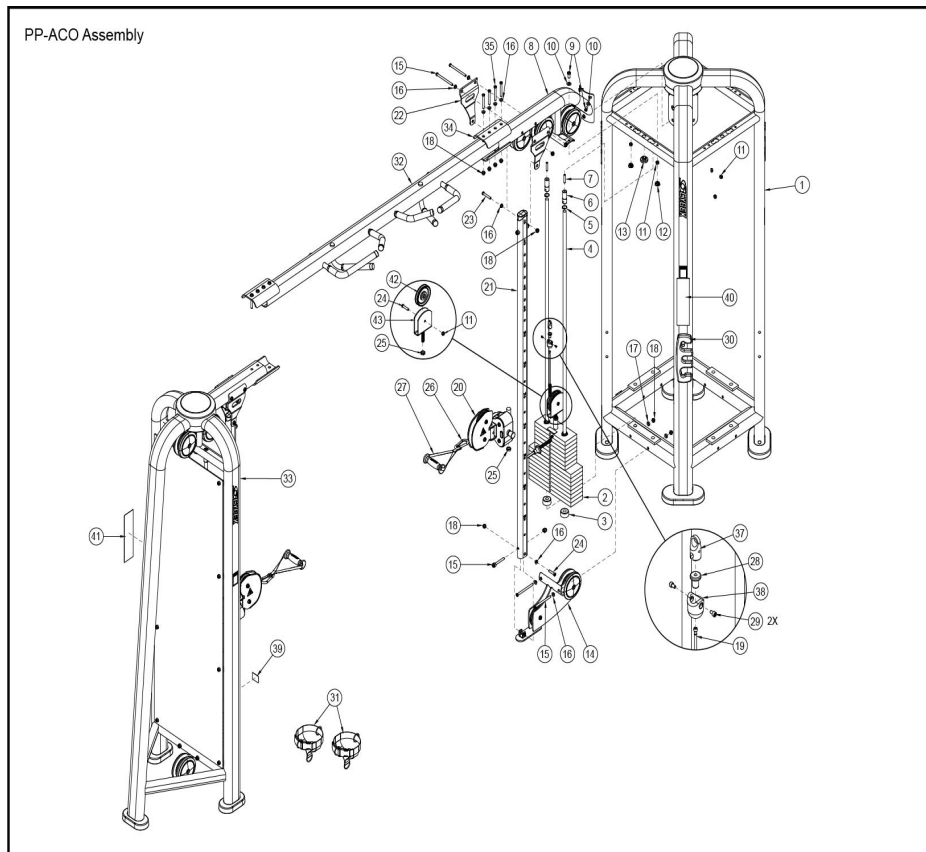
Ref #	Part Number	Qty	Description
1	7401702	1	COVER, PLASTIC PEG 2.25IN -CHR
2	3273303	1	Hardware: WasherR, 3/8, THRU-HARDENED
3	3236212	1	Hardware: Screw 75MM
4	7711502	2	WEIGHT, 5 LB ADD-ON -CHR

Optional Shrouds



Ref #	Part Number	Qty	Description
1	9035995	1	BRKT, SHROUD, CMDAP, BOTTOM, SG
2	9035795	1	BRKT, SHROUD, CMDAP, TOP, SG
3	3238601	4	Blind Thread Insert - 1.5"
4	3273303	4	Hardware: WasherR, 3/8, THRU-HARDENED
5	3236201	4	Hardware: Screw 20MM
6	3237401	2	Plug 7/16" Hole
7	9035801	2	SHROUD, CM/MJ FRONT

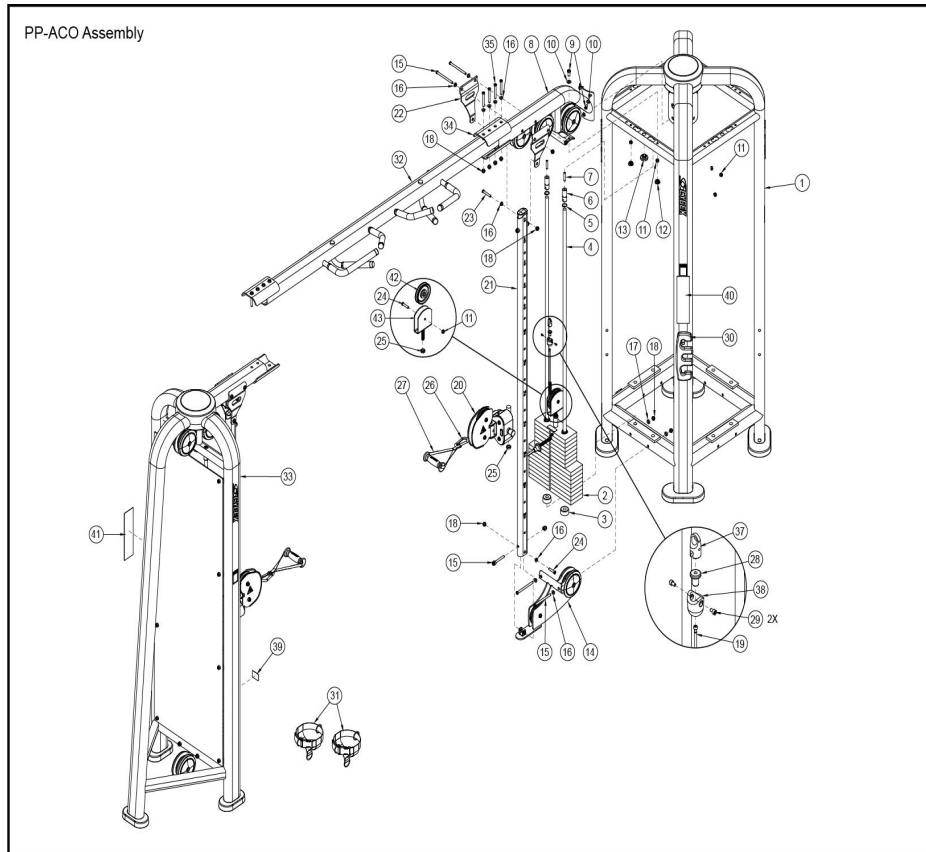
## PP-ACO Assembly



Ref #	Part Number	Qty	Description
1	PP-CORE-ASSY	1	ASSY, PP-CORE, COMPONENTS
2	1005217-0001	1	ASSY, 190LB STACK
3	7352101	2	Cushion Weight Stack
4	7328618	2	Guide Rod .75 OD Solid X 71.50
5	3232421	2	Retaining Ring 0.940" D
6	7634401	2	Retainer CM/MJ Guide Rod
7	3240502	2	Set Screw
8	1005302-0000	1	ASSY, PP-ACO/AXO, BOOM
9	3236202	5	Hardware: Screw 25MM
10	3273303	6	Hardware: WasherR, 3/8, THRU-HARDENED
11	3236801	6	Hardware: Nut 10 MM ID
12	3237403	2	Plug 1" Hole
13	7642301	1	Bumper CM/MJ Plug
14	1005298-0000	1	ASSY, PP-AP, BASE SPRT
15	3236220	5	Hardware: Screw 130MM
16	7630101	14	Retainer CM/MJ Pulley
17	7634701	2	Spacer CM/MJ .565 X .815
18	7335401	14	Hardware: Nut 10 MM ID
19	1005323-0007	1	CABLE, PP-AP/AXO
20	1005313-0000	1	ASSY, PP, ADJ PULLEY CARRIAGE
21	1005322-0001	1	ASSY, PP, ADJ PLY COLUMN
22	7780301	2	Bracket MJAP Adj Tube Top

Ref #	Part Number	Qty	Description
23	3236209	1	Hardware: Screw 60MM
24	3236206	2	Hardware: Screw 45MM
25	3236902	2	Hardware: Nut 16 MM ID
26	3250201	2	Snap Link 3/8" D
27	1005250-0001	2	HANDLE, CYBEX, SHORT STRAP
28	8943801	1	Insert CM/MJ Cable End
29	3250002	2	M5 X 0.8 X 8 HXS SOC CS ST BZ
30	1005352-0001	2	ASSY, INC WGT PEG, LFLOV
31	7734701	2	Strap 4-Way Ankle
32	1005328-0000	1	ASSY, PP, X-BEAM
33	1005337-0000	1	ASSY, PP-ACO, TOWER
34	7633201	2	Bracket MJ Large Oval
35	3236213	8	Hardware: Screw 80MM
37	8943601	1	Link CM/MJ Cable End
38	8943701	1	Housing CM/MJ Cable End
39	7571301	1	Label Serial Number
40	1005238-0001	1	LABEL, PP-ACO/AXO/AP/FCO/FXO/AP41, PLACARD -ENG
41	1005237-0001	1	LABEL, PP-ACO/AXO/FCO/FXO, PLACARD -ENG
42	3237802	1	PULLEY, 1/4 IN CABLE (T3), 4.5 IN OD
43	7642228	1	WLDMT,STK PULLEY -CHR

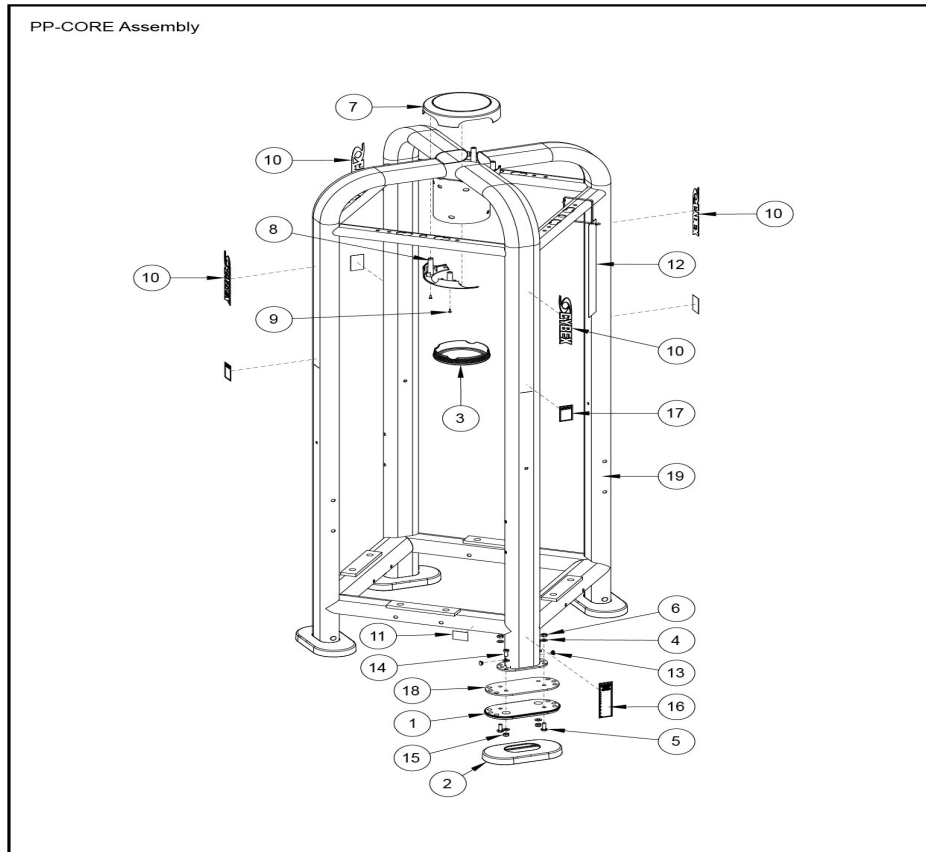
# PP-ACO Tower Assembly



Ref #	Part Number	Qty	Description
1	1005217-0001	1	ASSY, 190LB STACK
2	1005237-0001	1	LABEL, PP-ACO/AXO/FCO/FXO, PLACARD -ENG
3	1005298-0000	1	ASSY, PP-AP, BASE SPRT
4	1005313-0000	1	ASSY, PP, ADJ PULLEY CARRIAGE
5	1005323-0003	1	CABLE, PP-ACO
6	3232421	2	Reatining Ring 0.940" D
7	3236220	4	Hardware: Screw 130MM
8	3236207	3	Hardware: Screw 50MM
9	3236215	2	Hardware: Screw 90MM
10	3236201	8	Hardware: Screw 20MM
11	3236206	2	Hardware: Screw 45MM
12	3236209	1	Hardware: Screw 60MM
13	3236501	4	Hardware: Nut 0.7" ID
14	3273303	6	Hardware: WasherR, 3/8, THRU-HARDENED
15	3236801	1	Hardware: Nut 10 MM ID
16	3236902	2	Hardware: Nut 16 MM ID
17	3237802	4	PULLEY, 1/4 IN CABLE (T3), 4.5 IN OD
18	3240502	2	Set Screw
19	3250002	2	M5 X 0.8 X 8 HXS SOC CS ST BZ
20	3251202	6	Hardware: Screw 25MM
21	3254703	6	Hardware: Nut 10 MM ID
22	1006135-0001	2	LABEL, CYBEX LOGO 10 IN

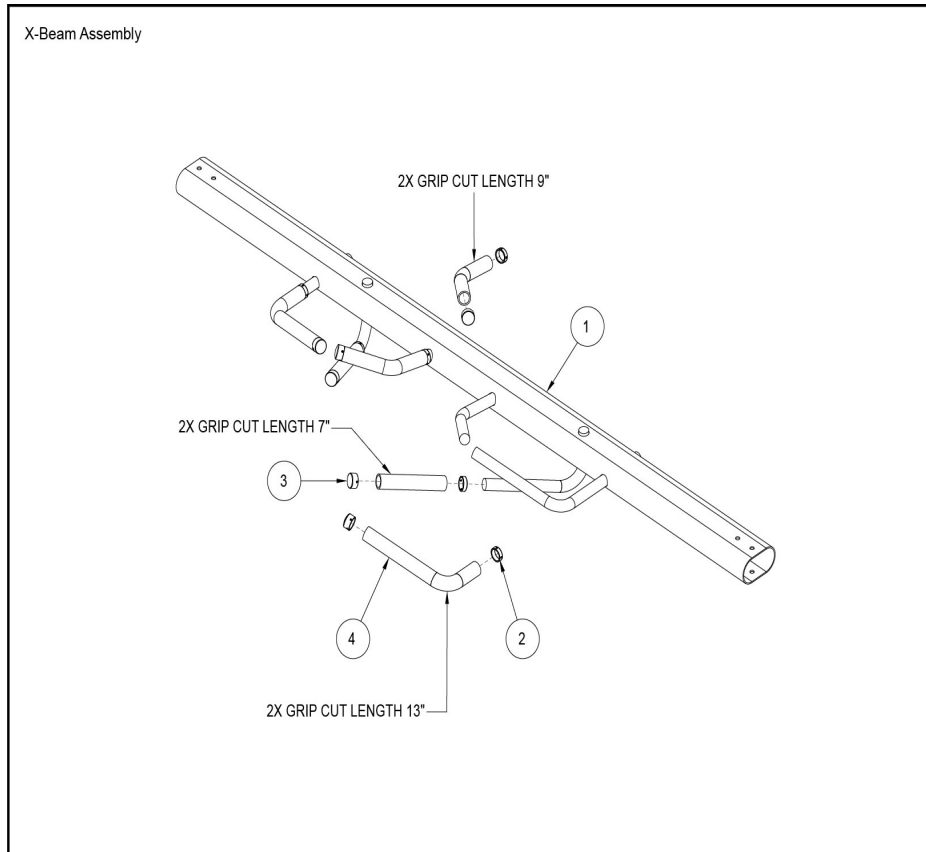
Ref #	Part Number	Qty	Description
23	3270601	16	Harware: Screw 3/8"
24	7328618	2	Guide Rod .75 OD Solid X 71.50
25	7333802	1	CAP, SMALL FLOV-END
26	7334001	3	Foot 2.50 X 4.49 Flov 10-0074-046 BNR
27	7335401	11	Hardware: Nut 10 MM ID
28	7340202	3	COVER, FOOT, STRAIGHT -BLK
29	7352101	2	Cushion Weight Stack
30	7385201	8	Spacer .406 X .750 X .250 SS
31	7629202	1	COVER, CENTER TOP -CHR
32	7629802	2	COVER, CENTER BOTTOM -CHR
33	7629902	4	COVER, PULLEY-BOLTED FULL
34	7630002	2	COVER, PULLEY BOLTED PARTIAL
35	7630101	11	Retainer CM/MJ Pulley
36	7634401	2	Retainer CM/MJ Guide Rod
37	7634701	2	Spacer CM/MJ .565 X .815
38	7642028	8	BRKT, REAR SHROUD -CHR
39	7642228	1	WLDMT,STK PULLEY -CHR
40	7642301	1	Bumper CM/MJ Plug
41	7645502	4	SPACER, SM FLOV CONCAVE -CHR
42	8220001	1	Label, ASTM, Select Vertical - English
43	8264101	1	Tube CM/MH Adj Column
44	8353202	1	SHROUD, PP, REAR
45	8943601	1	Link CM/MJ Cable End
46	8943702	1	HSNG, CABLE END -CHR
47	8943802	1	INSERT, CABLE END -CHR
48	9141101	2	LABEL, WARNING, STRAP TRAINING -ENG
49	7744501	1	Label Weight At Handle-English
50	1003323-0000	1	WLDMT, MJACO TOWER
51	7780301	2	Bracket MJAP Adj Tube Top

**PP-CORE Assembly**



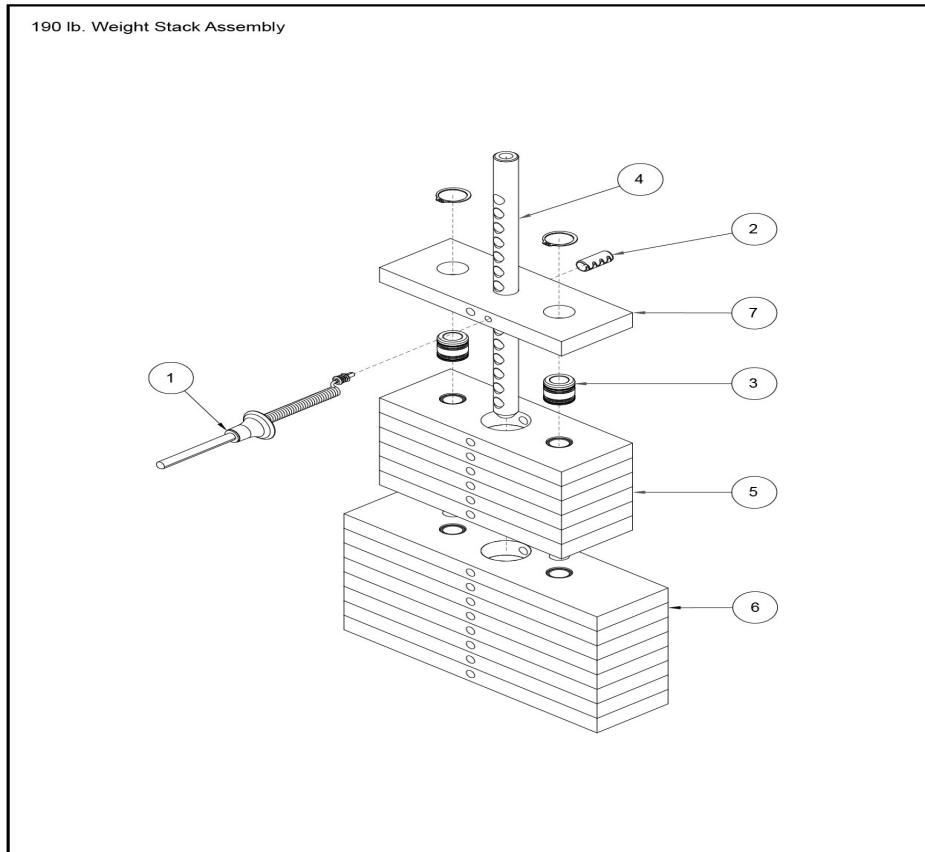
Ref #	Part Number	Qty	Description
1	9199101	4	FOOT, FXT FLOV - LARGE
2	9169202	4	COVER, LG FOOT -CHR
3	7640402	1	COVER, BOTTOM CAP -CHR
4	3273303	24	Hardware: Washer, 3/8, THRU-HARDENED
5	3251203	8	Hardware: Screw 30MM
6	3254703	8	Hardware: Nut 10 MM ID
7	7629202	1	COVER, CENTER TOP -CHR
8	7629802	2	COVER, CENTER BOTTOM -CHR
9	3236501	4	Hardware: Nut 0.7" ID
10	1006135-0001	4	LABEL, CYBEX LOGO 10 IN
11	7571301	1	Label Serial Number
12	8343101	1	Tag - Bolt To Floor
13	7646802	8	PLUG, CURVED HOLE -CHR
14	3236202	8	Hardware: Screw 25MM
15	3236801	8	Hardware: Nut 10 MM ID
16	8220001	1	Label, ASTM, Select Vertical - English
17	9141101	4	LABEL, WARNING, STRAP TRAINING -ENG
18	9173101	4	PLATE, FOOT, 9.5 X 4.75
19	1003329-0000	1	WLDMT, MJCORE

# X-Beam Assembly



Ref #	Part Number	Qty	Description
1	7632701	1	Weldment MJ X-Beam
2	7662801	6	Grip Ring 1.25"
3	7662901	6	Grip Cap
4	3235806	6	GRIP, 1.25 OD X .125 WALL OPEN END

# 190lb Stack Assembly



Ref #	Part Number	Qty	Description
1	1005176-0001	1	ASSY, SELECTOR PIN
2	3236001	1	SpringPin Bushing
3	7338001	2	Bushing Headplate
4	7352601	1	Bayonet 14 Hole PRO2
5	7353702	6	WEIGHT PLATE, 10 LB -BLK
6	7353802	8	WEIGHT PLATE, 15 LB -BLK
7	7353902	1	HEADPLATE, WT. STACK -BLK
8	1005538-0001	1	LABEL, WGT STK, 95LB/45.5KG

