

# PWR ADJUSTABLE CABLE COLUMN

PP-AP

## Parts Manual

1/5/2019 15:54:23 PM

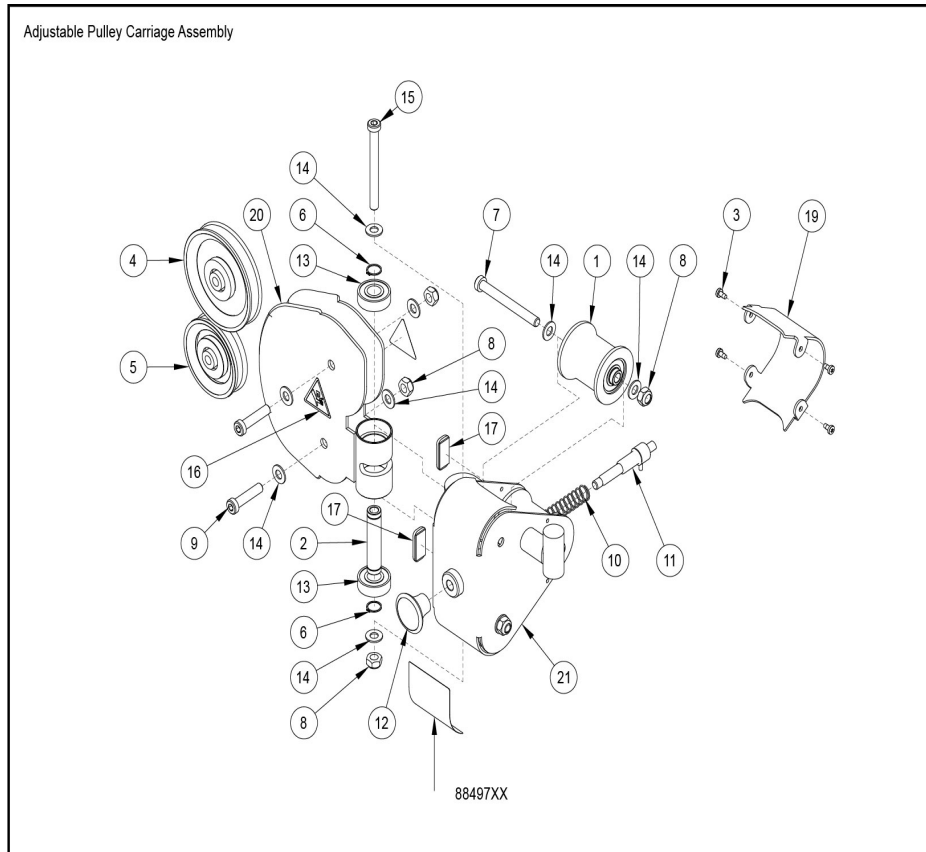


**Table of Contents**

---

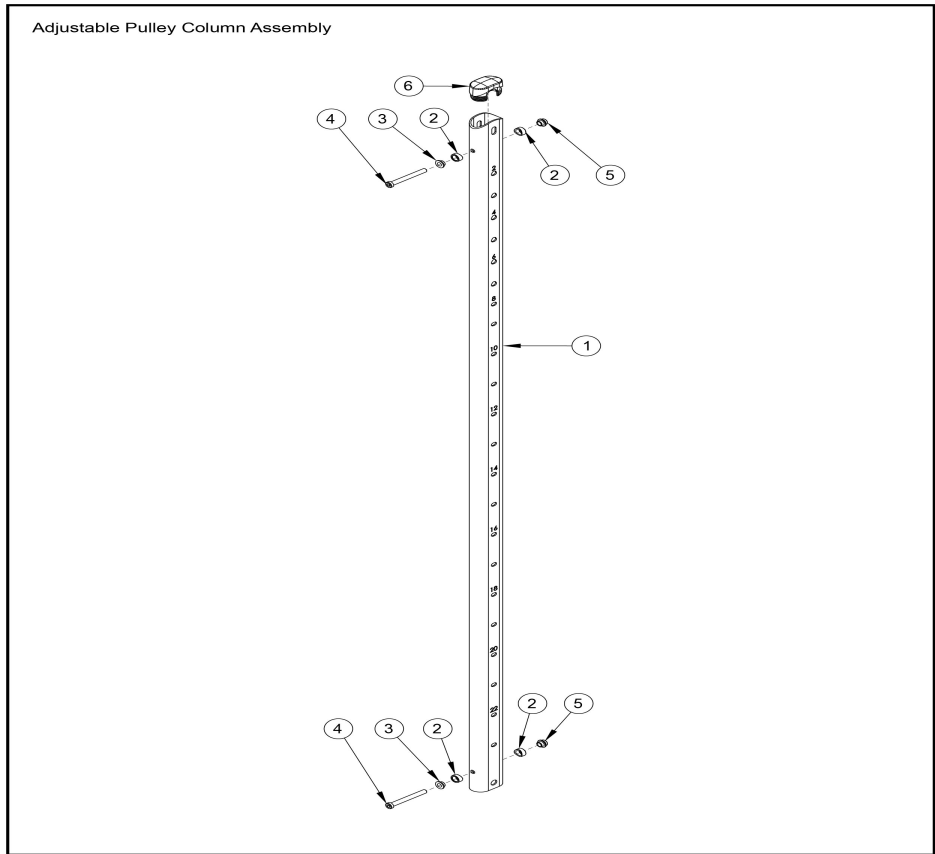
<a href="#">Adjustable Pulley Carriage Assembly</a> .....	3
<a href="#">Adjustable Pulley Column Assembly</a> .....	4
<a href="#">Base Support Assembly</a> .....	5
<a href="#">Boom Assembly</a> .....	6
<a href="#">Hardware Kit 1</a> .....	7
<a href="#">Hardware Kit 2</a> .....	8
<a href="#">Increment Weight Assembly</a> .....	9
<a href="#">Optional Shrouds</a> .....	10
<a href="#">PP-AP Assembly</a> .....	11
<a href="#">PP-CORE Assembly</a> .....	13
<a href="#">190lb Stack Assembly</a> .....	14

# Adjustable Pulley Carriage Assembly



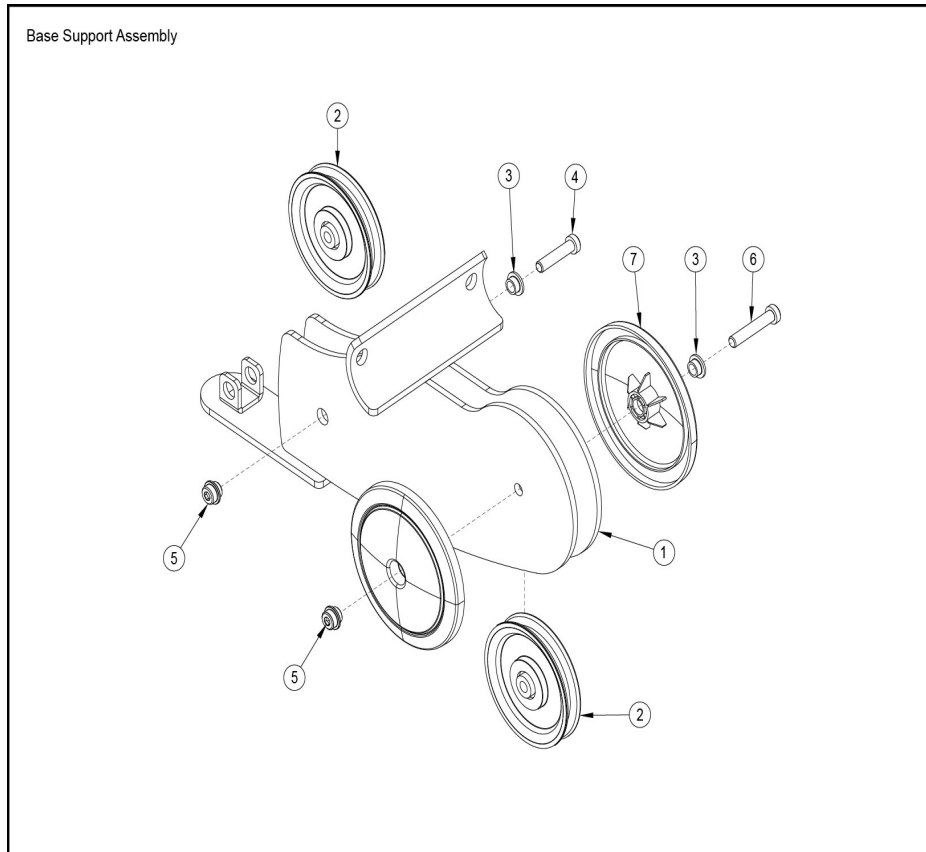
Ref #	Part Number	Qty	Description
1	7637901	3	Assembly Roller-Concave
2	7645401	1	Shaft CM/MJ 6203 Bearing
3	3270601	4	Hardware: Screw 3/8"
4	3237802	1	PULLEY, 1/4 IN CABLE (T3), 4.5 IN OD
5	3245702	1	PULLEY, 3.5IN OD, 10MM ID -CHR
6	3232413	2	Retaining Ring 0.631" D
7	3236216	3	Hardware: Screw 95MM
8	3236801	6	Hardware: Nut 10 MM ID
9	3236206	2	Hardware: Screw 45MM
10	7351501	1	Pull Pin Spring
11	1002880-0001	1	ASSY, CM/MJ PIN-PULL, BEVEL NOSE
12	11040-440	1	KNOB
13	3245901	2	Bearing
14	3273303	12	Hardware: WasherR, 3/8, THRU-HARDENED
15	3236217	1	Hardware: Screw 100MM
16	8039501	2	Label Warning Triangle 10-0099-067 BNR
17	7570802	2	GUARD, PAINT, 1.25 x .75 x .25, BLK
18	8849701	1	Label, Warning Adj Carriage-English
19	7631801	1	Bracket CM/MJ Carriage Shroud
20	7633301	1	Weldment CM/MJ Swivel Pulley
21	8327601	1	WLDMT, MJ ADJ PULLEY CARRIAGE White

# Adjustable Pulley Column Assembly



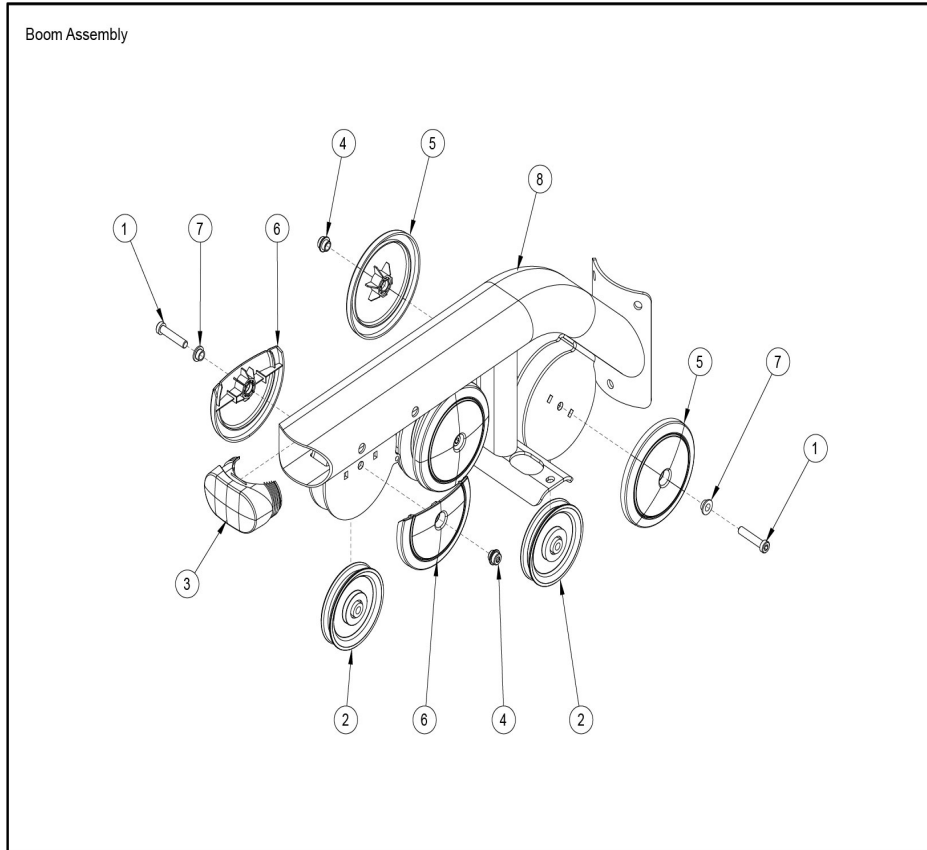
Ref #	Part Number	Qty	Description
1	8264101	1	Tube CM/MH Adj Column
2	7645502	4	SPACER, SM FLOV CONCAVE -CHR
3	7630101	2	Retainer CM/MJ Pulley
4	3236215	2	Hardware: Screw 90MM
5	7335401	2	Hardware: Nut 10 MM ID
6	7333802	1	CAP, SMALL FLOV-END

# Base Support Assembly



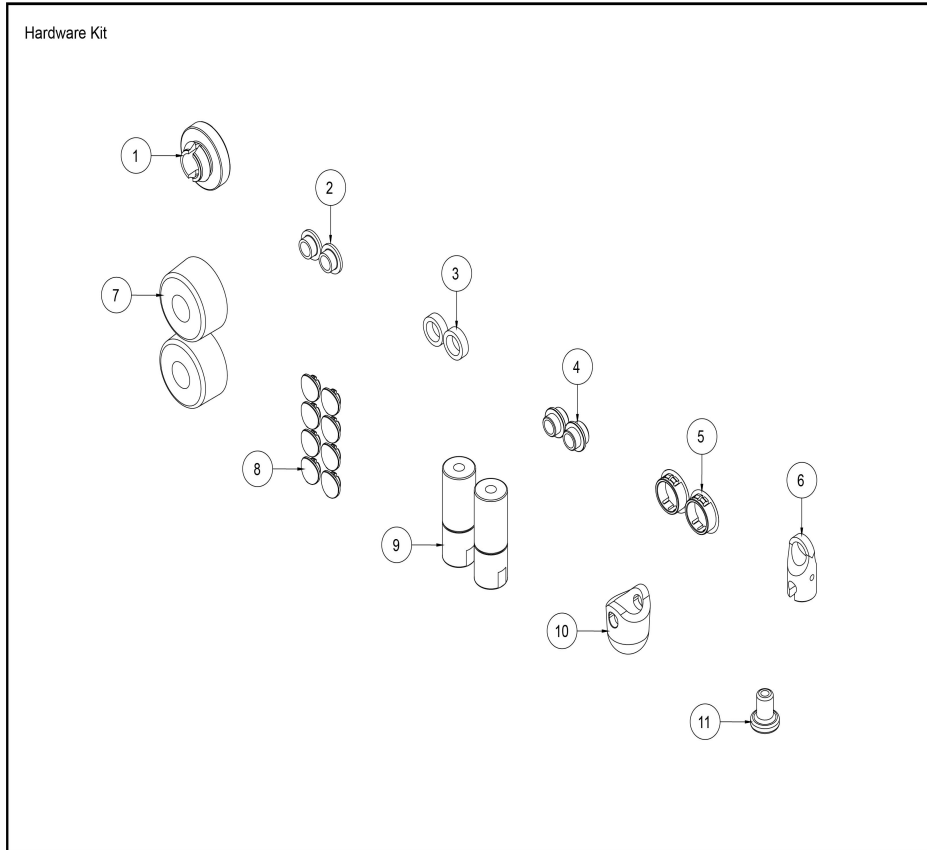
Ref #	Part Number	Qty	Description
1	7634801	1	Weldment MJ ADJ PULLEY BASE
2	3237802	2	PULLEY, 1/4 IN CABLE (T3), 4.5 IN OD
3	7630101	2	Retainer CM/MJ Pulley
4	3236206	1	Hardware: Screw 45MM
5	7335401	2	Hardware: Nut 10 MM ID
6	3236208	1	Hardware: Screw 55MM
7	7629902	2	COVER, PULLEY-BOLTED FULL

# Boom Assembly



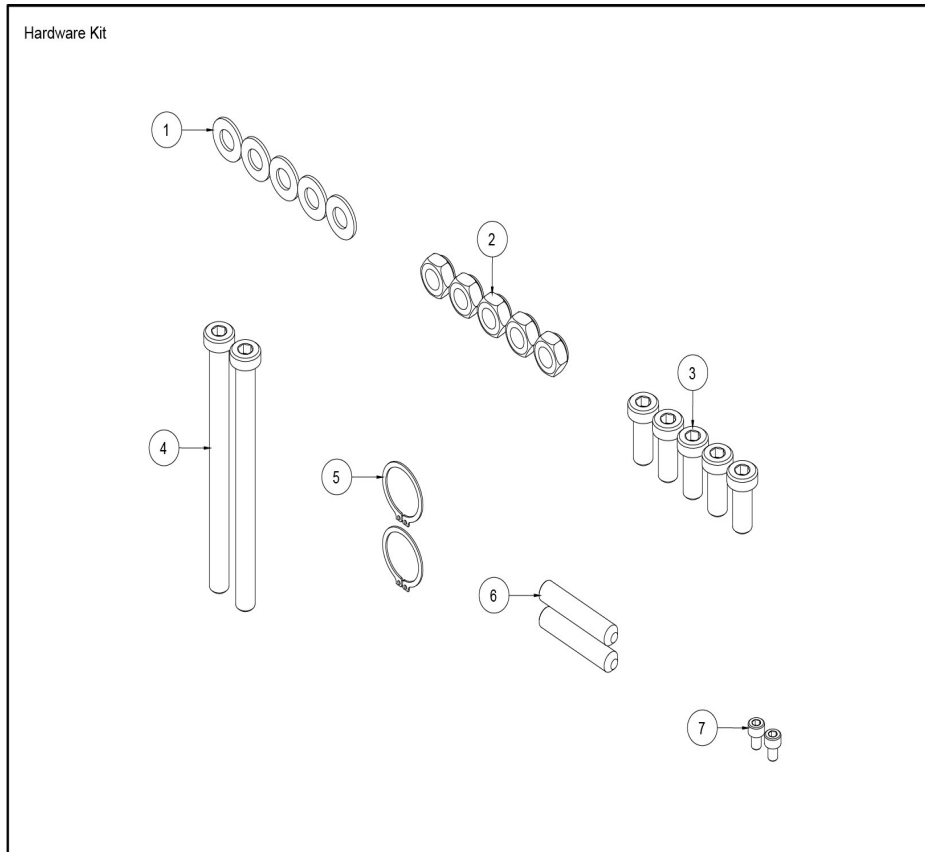
Ref #	Part Number	Qty	Description
1	3236207	3	Hardware: Screw 50MM
2	3237802	3	PULLEY, 1/4 IN CABLE (T3), 4.5 IN OD
3	7333902	1	CAP, LARGE FLOV-END; CHGR
4	7335401	3	Hardware: Nut 10 MM ID
5	7629902	4	COVER, PULLEY-BOLTED FULL
6	7630002	2	COVER, PULLEY BOLTED PARTIAL
7	7630101	3	Retainer CM/MJ Pulley
8	7635201	1	Weldment MJAP BOOM

Hardware Kit 1



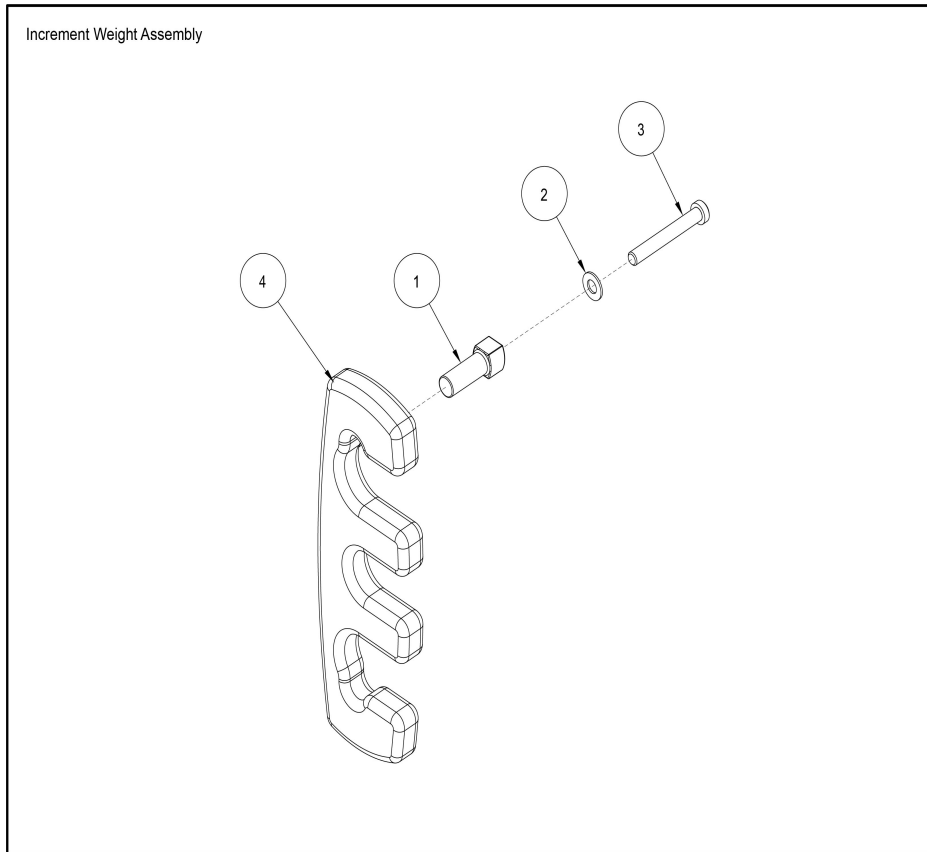
Ref #	Part Number	Qty	Description
1	7642302	1	PLUG, CM/MJ, PLUG -CHR
2	7630101	2	Retainer CM/MJ Pulley
3	7634701	2	Spacer CM/MJ .565 X .815
4	7335401	2	Hardware: Nut 10 MM ID
5	3237407	2	PLUG, 1 IN HOLE
6	8943601	1	Link CM/MJ Cable End
7	7352101	2	Cushion Weight Stack
8	7646802	8	PLUG, CURVED HOLE -CHR
9	7634401	2	Retainer CM/MJ Guide Rod
10	8943702	1	HSNG, CABLE END -CHR
11	8943802	1	INSERT, CABLE END -CHR

## Hardware Kit 2



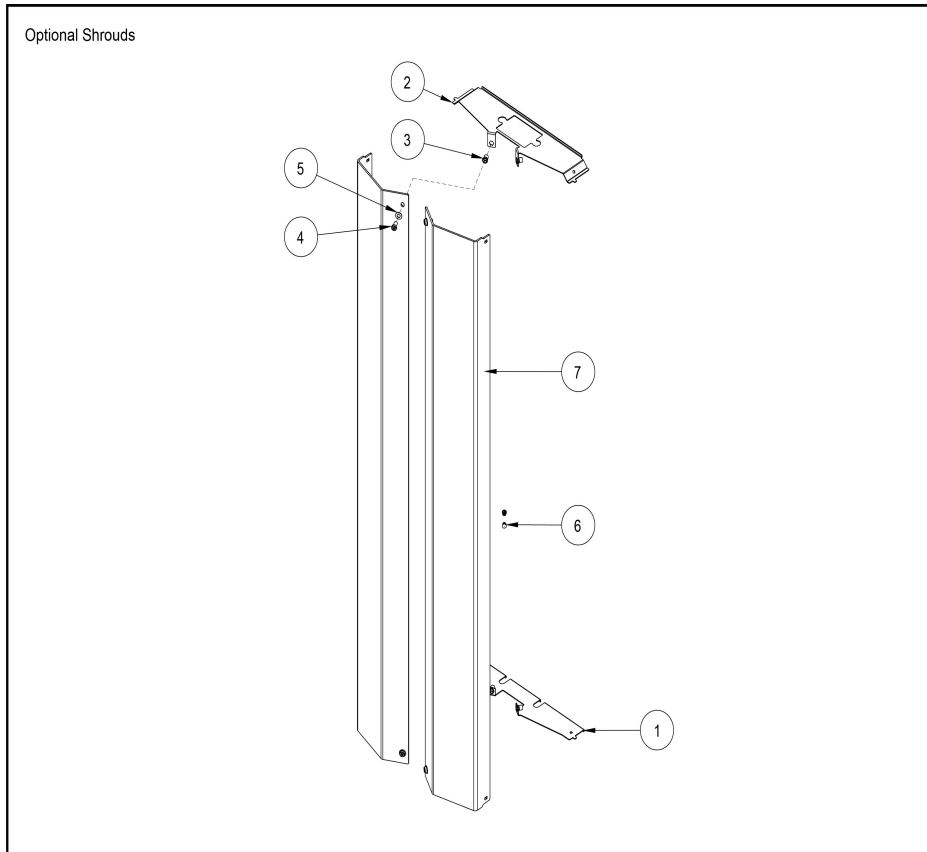
Ref #	Part Number	Qty	Description
1	3273303	5	Hardware: WasherR, 3/8, THRU-HARDENED
2	3236801	5	Hardware: Nut 10 MM ID
3	3236202	5	Hardware: Screw 25MM
4	3236220	2	Hardware: Screw 130MM
5	3232421	2	Retaining Ring 0.940" D
6	3240502	2	Set Screw
7	3250002	2	M5 X 0.8 X 8 HXS SOC CS ST BZ

# Increment Weight Assembly



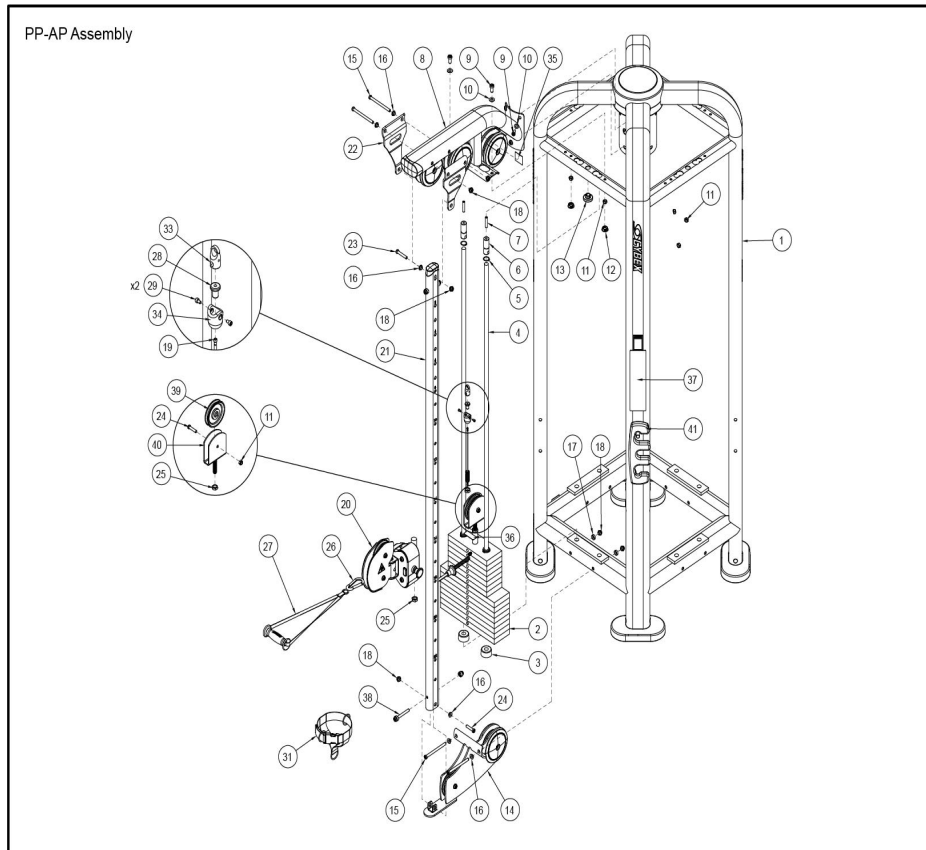
Ref #	Part Number	Qty	Description
1	7401702	1	COVER, PLASTIC PEG 2.25IN -CHR
2	3273303	1	Hardware: WasherR, 3/8, THRU-HARDENED
3	3236212	1	Hardware: Screw 75MM
4	7711502	1	WEIGHT, 5 LB ADD-ON -CHR

Optional Shrouds



Ref #	Part Number	Qty	Description
1	9035995	1	BRKT, SHROUD, CMDAP, BOTTOM, SG
2	9035701	1	BRKT, SHROUD, CMDAP TOP
3	3238601	4	Blind Thread Insert - 1.5"
4	3236201	4	Hardware: Screw 20MM
5	3102514	4	Hardware: Flat Washer 3/8" ID
6	3237401	2	Plug 7/16" Hole
7	9035801	2	SHROUD, CM/MJ FRONT

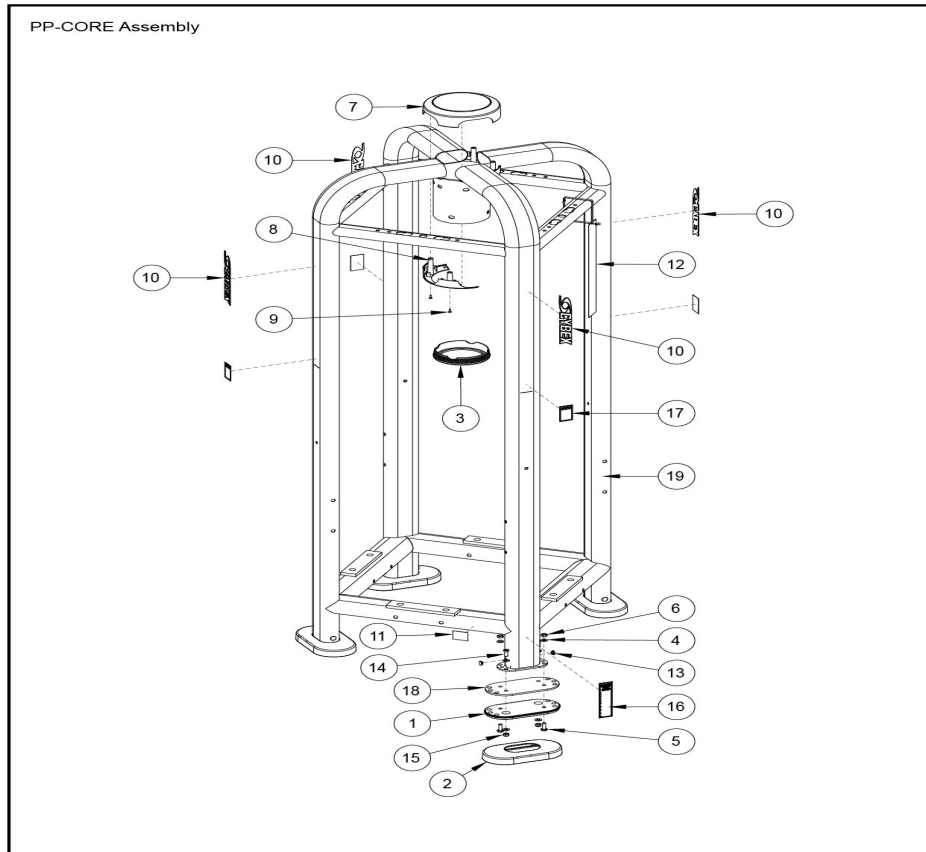
# PP-AP Assembly



Ref #	Part Number	Qty	Description
1	PP-CORE-ASSY	1	ASSY, PP-CORE, COMPONENTS
2	1005217-0001	1	ASSY, 190LB STACK
3	7352101	2	Cushion Weight Stack
4	7328618	2	Guide Rod .75 OD Solid X 71.50
5	3232421	2	Retaining Ring 0.940" D
6	7634401	2	Retainer CM/MJ Guide Rod
7	3240502	2	Set Screw
8	1005348-0000	1	ASSY, PP-AP, BOOM
9	3236202	5	Hardware: Screw 25MM
10	3273303	6	Hardware: WasherR, 3/8, THRU-HARDENED
11	3236801	6	Hardware: Nut 10 MM ID
12	3237403	2	Plug 1" Hole
13	7642301	1	Bumper CM/MJ Plug
14	1005298-0000	1	ASSY, PP-AP, BASE SPRT
15	3236220	4	Hardware: Screw 130MM
16	7630101	4	Retainer CM/MJ Pulley
17	7634701	2	Spacer CM/MJ .565 X .815
18	7335401	6	Hardware: Nut 10 MM ID
19	1005323-0007	1	CABLE, PP-AP/AXO
20	1005313-0000	1	ASSY, PP, ADJ PULLEY CARRIAGE
21	1005322-0000	1	ASSY, PP, ADJ PULLEY COLUMN
22	7780301	2	Bracket MJAP Adj Tube Top

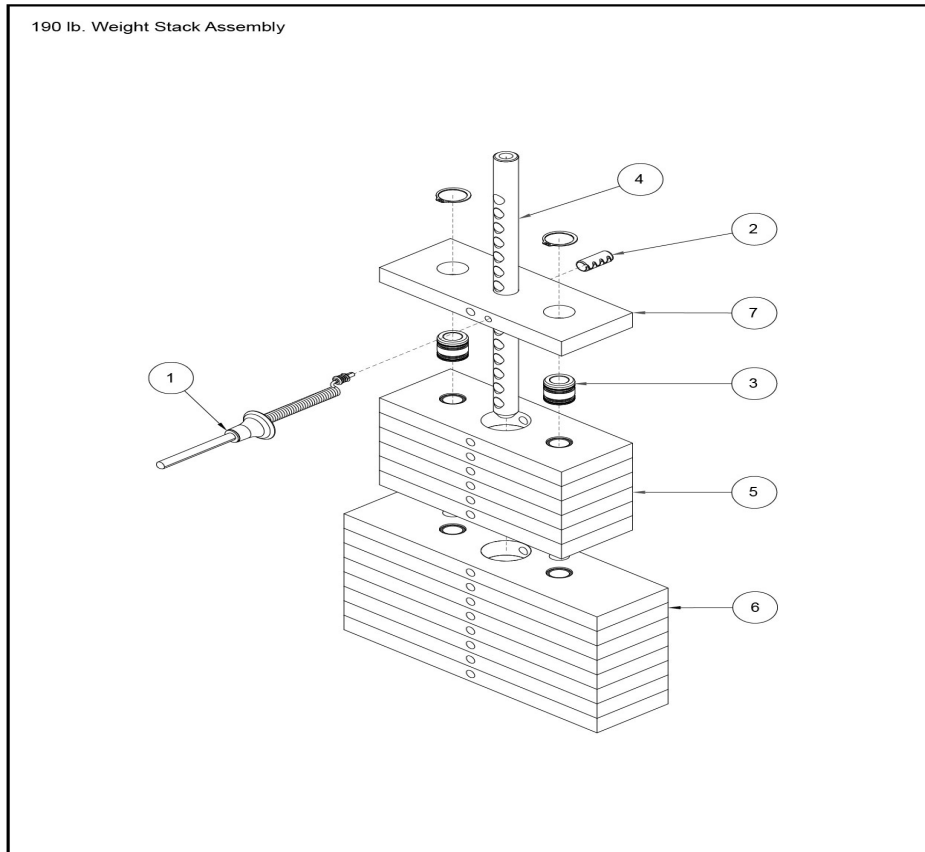
Ref #	Part Number	Qty	Description
23	3236209	1	Hardware: Screw 60MM
24	3236206	2	Hardware: Screw 45MM
25	3236902	2	Hardware: Nut 16 MM ID
26	3250201	1	Snap Link 3/8" D
27	1005251-0001	1	HANDLE, CYBEX, LONG STRAP
28	8943801	1	Insert CM/MJ Cable End
29	3250002	2	M5 X 0.8 X 8 HXS SOC CS ST BZ
31	7734701	1	Strap 4-Way Ankle
33	8943601	1	Link CM/MJ Cable End
34	8943701	1	Housing CM/MJ Cable End
35	7571301	1	Label Serial Number
36	7744501	1	Label Weight At Handle-English
37	1005238-0001	1	LABEL, PP-ACO/AXO/AP/FCO/FXO/AP41, PLACARD -ENG
38	3236203	1	Hardware: Screw 30MM
39	3237802	1	PULLEY, 1/4 IN CABLE (T3), 4.5 IN OD
40	7642228	1	WLDMT,STK PULLEY -CHR
41	1005352-0001	1	ASSY, INC WGT PEG, LFLOV

PP-CORE Assembly



Ref #	Part Number	Qty	Description
1	9199101	4	FOOT, FXT FLOV - LARGE
2	9169202	4	COVER, LG FOOT -CHR
3	7640402	1	COVER, BOTTOM CAP -CHR
4	3273303	24	Hardware: Washer, 3/8, THRU-HARDENED
5	3251203	8	Hardware: Screw 30MM
6	3254703	8	Hardware: Nut 10 MM ID
7	7629202	1	COVER, CENTER TOP -CHR
8	7629802	2	COVER, CENTER BOTTOM -CHR
9	3236501	4	Hardware: Nut 0.7" ID
10	1006135-0001	4	LABEL, CYBEX LOGO 10 IN
11	7571301	1	Label Serial Number
12	8343101	1	Tag - Bolt To Floor
13	7646802	8	PLUG, CURVED HOLE -CHR
14	3236202	8	Hardware: Screw 25MM
15	3236801	8	Hardware: Nut 10 MM ID
16	8220001	1	Label, ASTM, Select Vertical - English
17	9141101	4	LABEL, WARNING, STRAP TRAINING -ENG
18	9173101	4	PLATE, FOOT, 9.5 X 4.75
19	1003329-0000	1	WLDMT, MJCORE

# 190lb Stack Assembly



Ref #	Part Number	Qty	Description
1	1005176-0001	1	ASSY, SELECTOR PIN
2	3236001	1	SpringPin Bushing
3	7338001	2	Bushing Headplate
4	7352601	1	Bayonet 14 Hole PRO2
5	7353702	6	WEIGHT PLATE, 10 LB -BLK
6	7353802	8	WEIGHT PLATE, 15 LB -BLK
7	7353902	1	HEADPLATE, WT. STACK -BLK
8	1005538-0001	1	LABEL, WGT STK, 95LB/45.5KG

