

PWR PLAY DUAL PULLEY HIGH

PP-DPH

Parts Manual

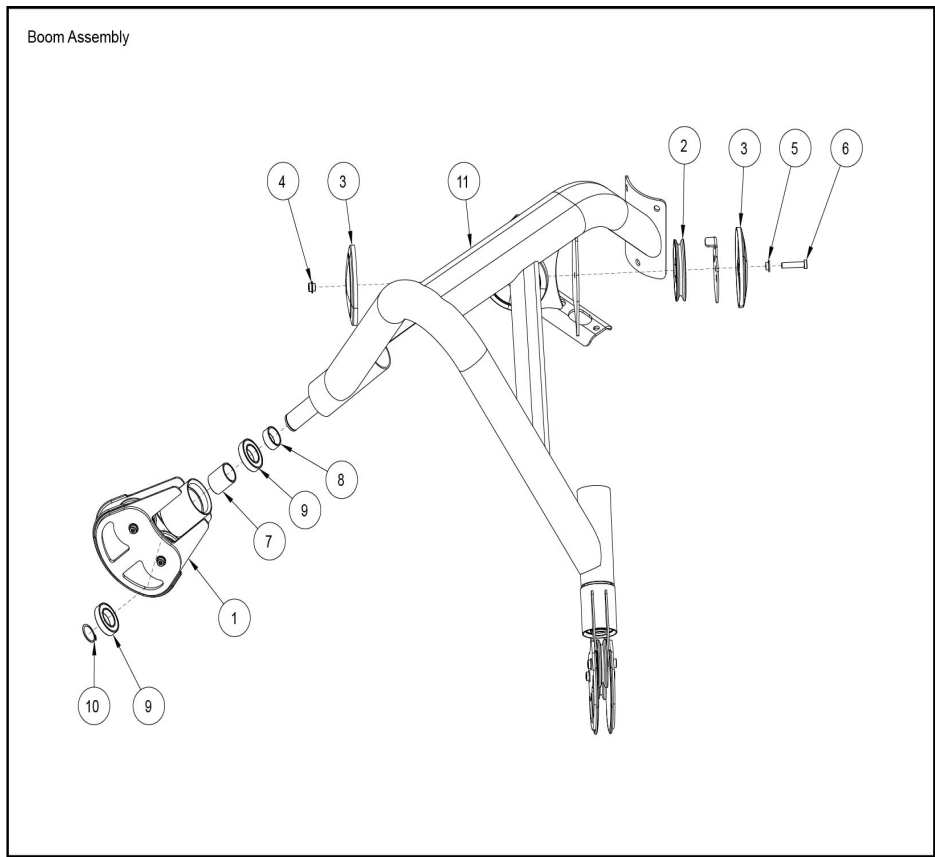
1/5/2019 15:57:10 PM



Table of Contents

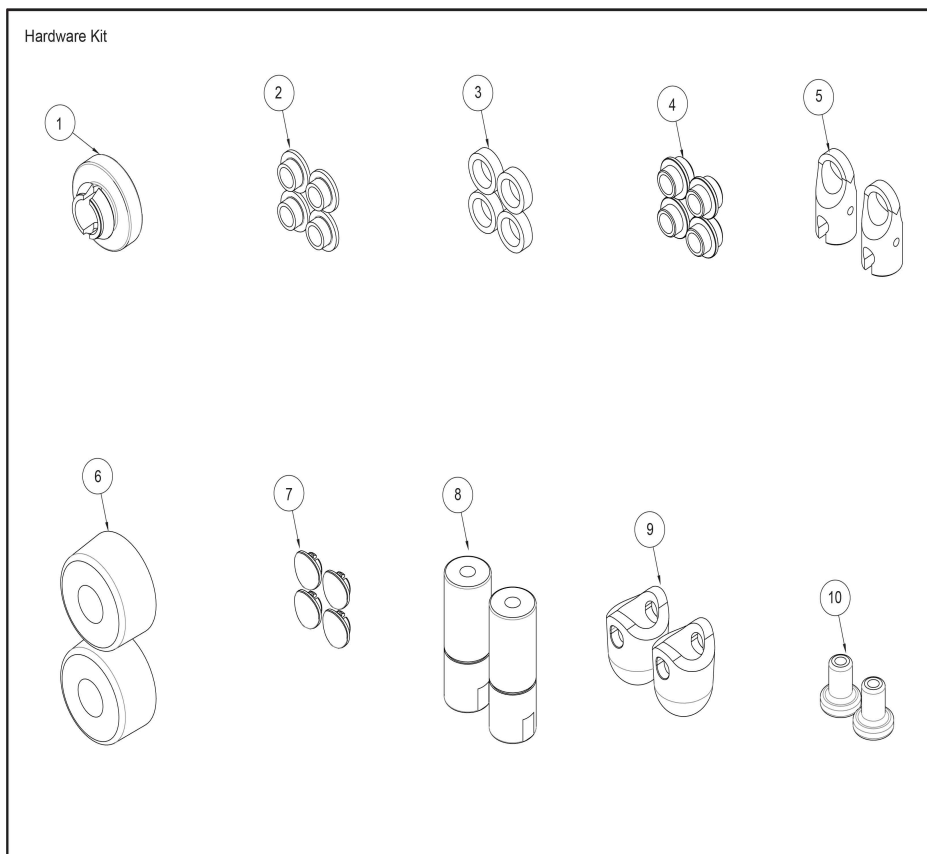
[Boom Assembly](#).....3
[Hardware Kit 1](#).....4
[Hardware Kit 2](#).....5
[Increment Weight Assembly](#).....6
[Lower Support Assembly](#).....7
[Optional Shrouds](#).....8
[PP-CORE Assembly](#).....9
[PP-DPH Assembly](#).....10
[Swivel Pulley Assembly](#).....12
[290lb Stack Assembly](#).....13
[4 to 1 Stack Pulley Assembly](#).....14

Boom Assembly



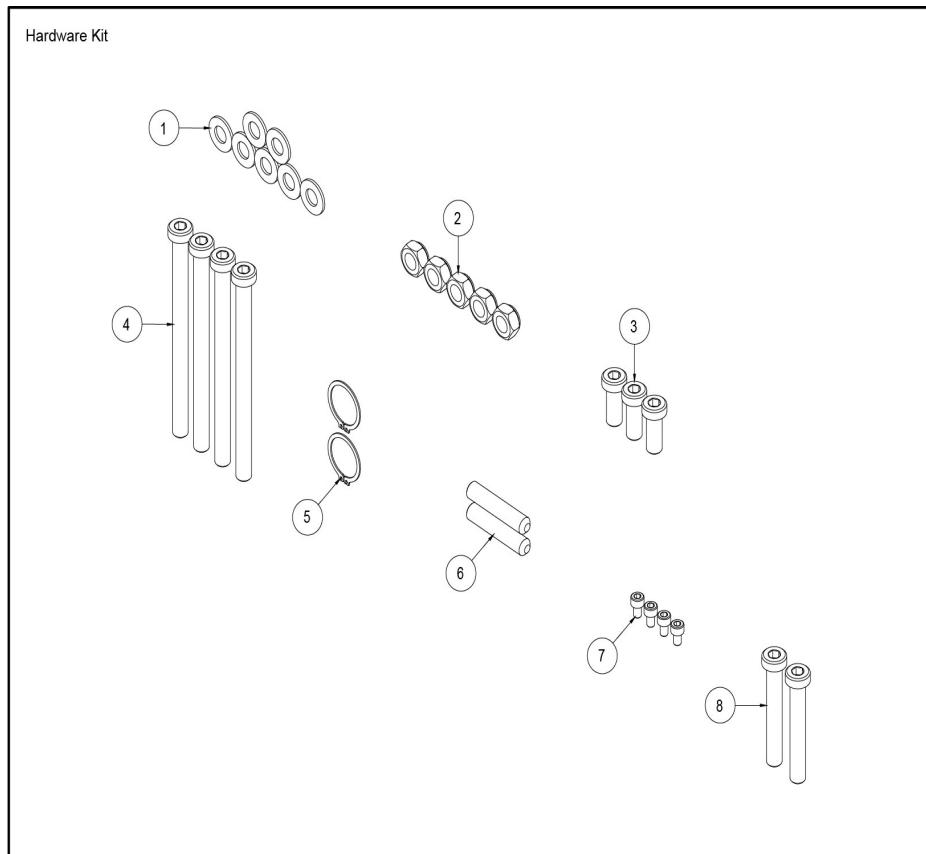
Ref #	Part Number	Qty	Description
1	1005221-0000	2	ASSY, PP, SWIVEL PULLEY
2	3237802	2	PULLEY, 1/4 IN CABLE (T3), 4.5 IN OD
3	7629902	4	COVER, PULLEY-BOLTED FULL
4	7335401	2	Hardware: Nut 10 MM ID
5	7630101	2	Retainer CM/MJ Pulley
6	3236207	2	Hardware: Screw 50MM
7	7511502	2	Spacer FZ/PS INTERNAL 1.845
8	7511506	2	SPACER, FZ/PS INTERNAL X .653
9	3243201	4	Ball Bearing
10	3243905	2	Ring, BRE M35, ST, PP
11	1002920-0000	1	WLDMT, MJDPH, BOOM Custom

Hardware Kit 1



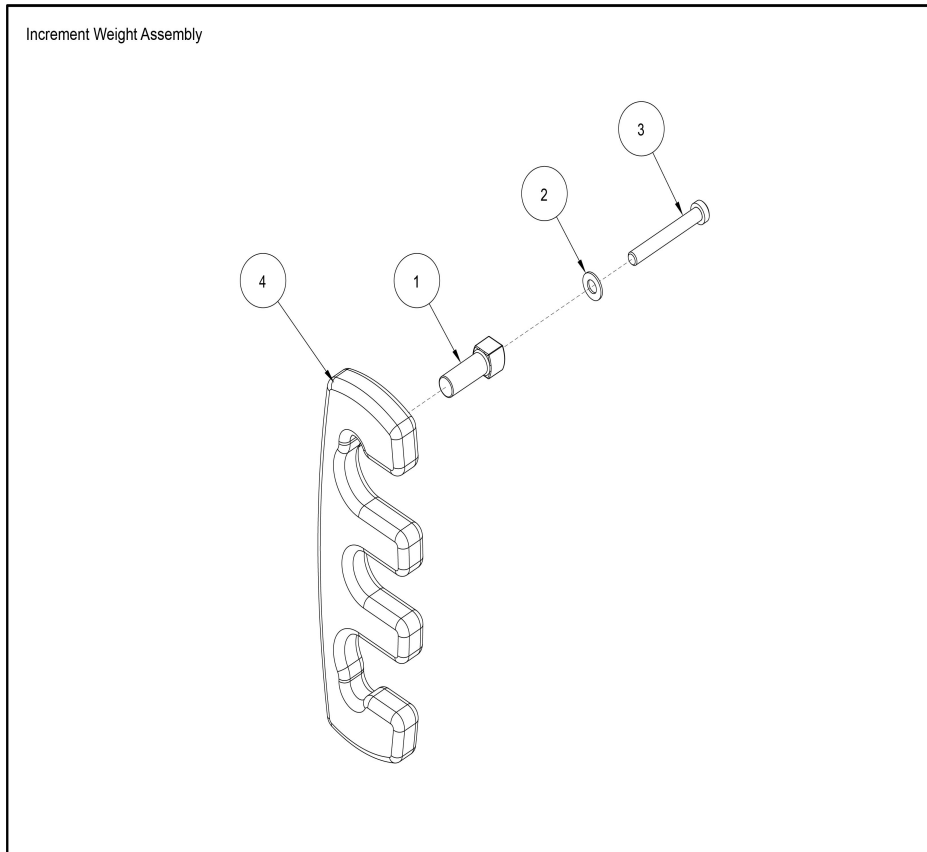
Ref #	Part Number	Qty	Description
1	7642302	1	PLUG, CM/MJ, PLUG -CHR
2	7630101	4	Retainer CM/MJ Pulley
3	7634701	4	Spacer CM/MJ .565 X .815
4	7335401	4	Hardware: Nut 10 MM ID
5	8943601	2	Link CM/MJ Cable End
6	7352101	2	Cushion Weight Stack
7	7646802	4	PLUG, CURVED HOLE -CHR
8	7634401	2	Retainer CM/MJ Guide Rod
9	8943702	2	HSNG, CABLE END -CHR
10	8943802	2	INSERT, CABLE END -CHR

Hardware Kit 2



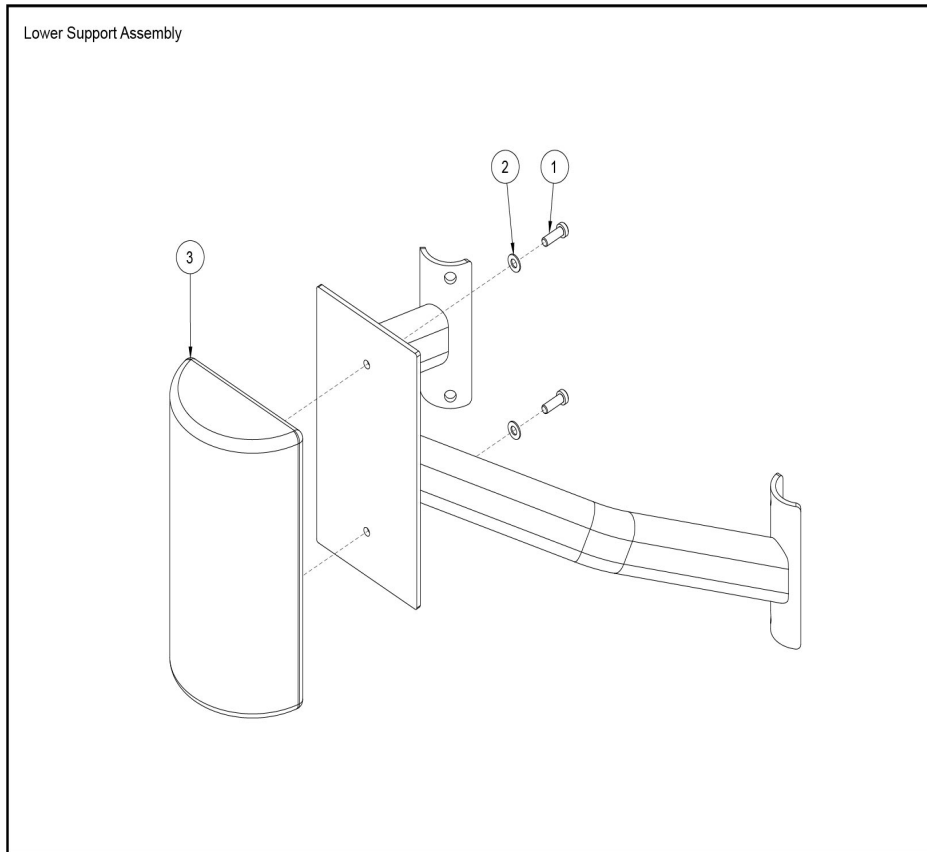
Ref #	Part Number	Qty	Description
1	3273303	7	Hardware: WasherR, 3/8, THRU-HARDENED
2	3236801	5	Hardware: Nut 10 MM ID
3	3236202	3	Hardware: Screw 25MM
4	3236220	4	Hardware: Screw 130MM
5	3232421	2	Retaining Ring 0.940" D
6	3240502	2	Set Screw
7	3250002	4	M5 X 0.8 X 8 HXS SOC CS ST BZ
8	3236210	2	Hardware: Screw 65MM

Increment Weight Assembly



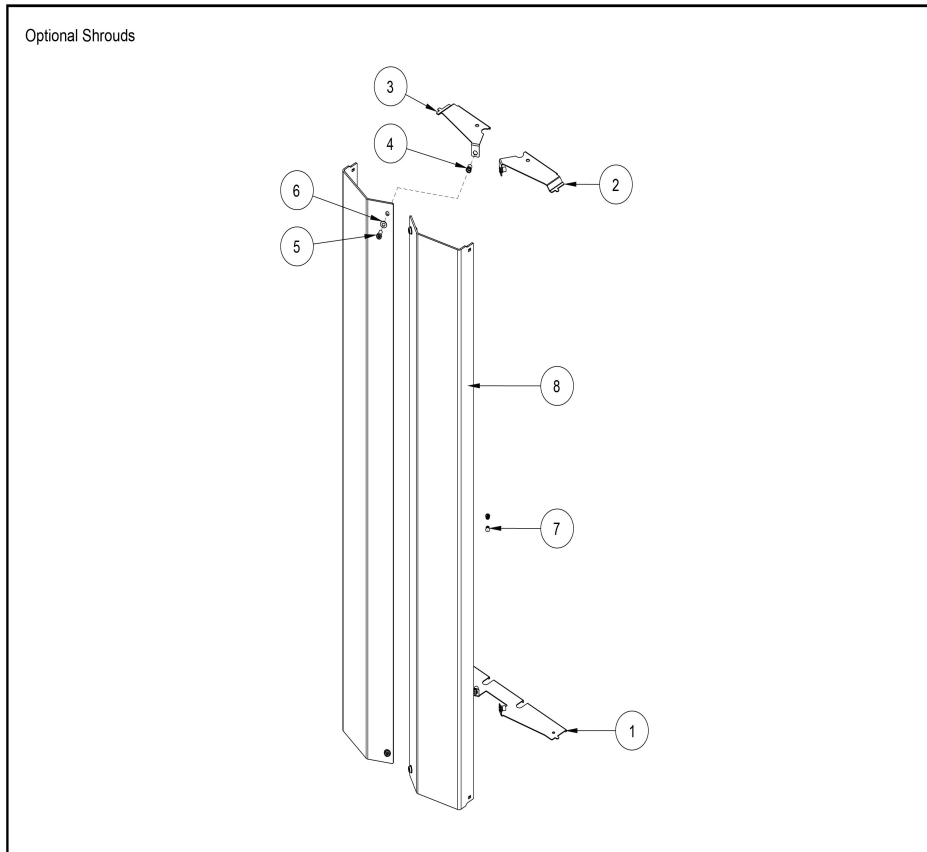
Ref #	Part Number	Qty	Description
1	7401702	1	COVER, PLASTIC PEG 2.25IN -CHR
2	3273303	1	Hardware: WasherR, 3/8, THRU-HARDENED
3	3236212	1	Hardware: Screw 75MM
4	7711502	1	WEIGHT, 5 LB ADD-ON -CHR

Lower Support Assembly



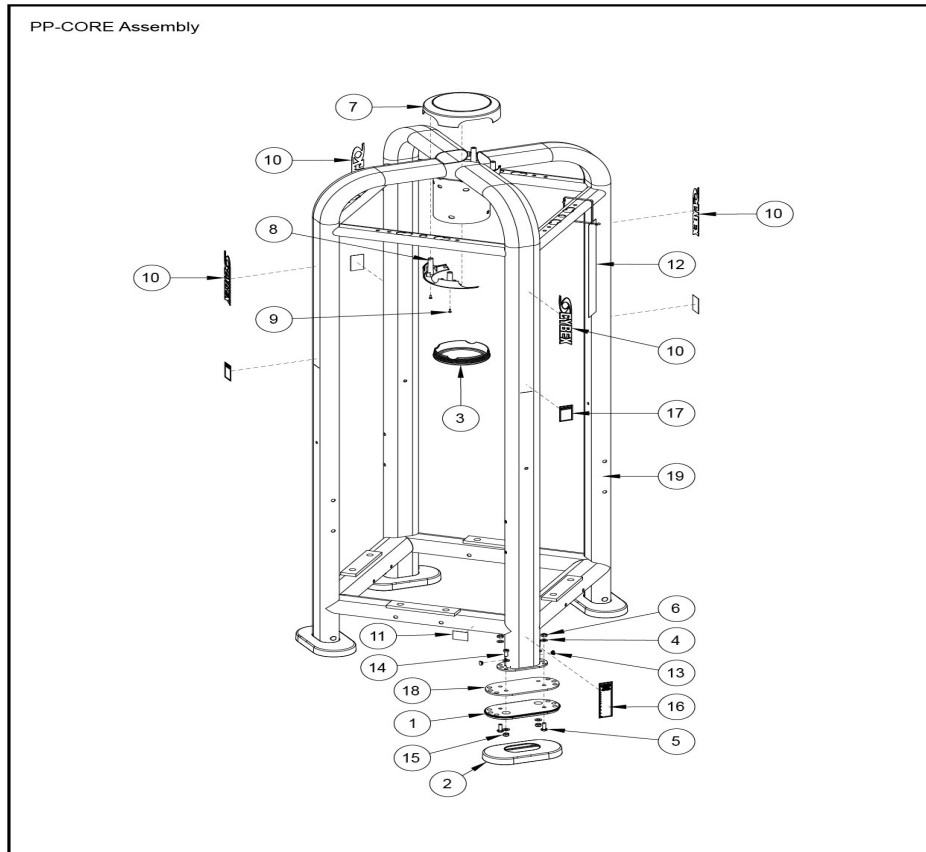
Ref #	Part Number	Qty	Description
1	3236203	2	Hardware: Screw 30MM
2	3273303	2	Hardware: WasherR, 3/8, THRU-HARDENED
3	7626401	1	PAD, LUMBAR, NO BACKER, SNGL STITCH BLACK

Optional Shrouds



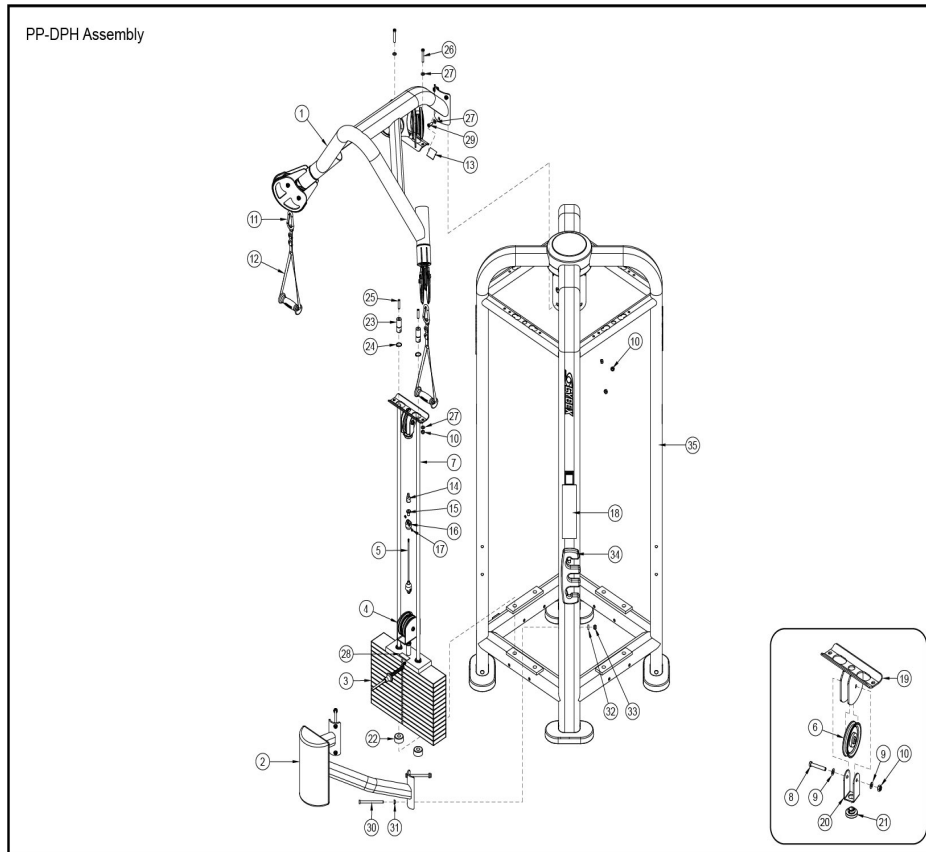
Ref #	Part Number	Qty	Description
1	9035995	1	BRKT, SHROUD, CMDAP, BOTTOM, SG
2	1003086-0000	1	BRKT, SHROUD, MJ41 TOP RIGHT
3	1003087-0000	1	BRKT, SHROUD, MJ41 TOP LEFT
4	3238601	4	Blind Thread Insert - 1.5"
5	3236201	4	Hardware: Screw 20MM
6	3102514	4	Hardware: Flat Washer 3/8" ID
7	3237401	2	Plug 7/16" Hole
8	9035801	2	SHROUD, CM/MJ FRONT

PP-CORE Assembly



Ref #	Part Number	Qty	Description
1	9199101	4	FOOT, FXT FLOV - LARGE
2	9169202	4	COVER, LG FOOT -CHR
3	7640402	1	COVER, BOTTOM CAP -CHR
4	3273303	24	Hardware: WasherR, 3/8, THRU-HARDENED
5	3251203	8	Hardware: Screw 30MM
6	3254703	8	Hardware: Nut 10 MM ID
7	7629202	1	COVER, CENTER TOP -CHR
8	7629802	2	COVER, CENTER BOTTOM -CHR
9	3236501	4	Hardware: Nut 0.7" ID
10	1006135-0001	4	LABEL, CYBEX LOGO 10 IN
11	7571301	1	Label Serial Number
12	8343101	1	Tag - Bolt To Floor
13	7646802	8	PLUG, CURVED HOLE -CHR
14	3236202	8	Hardware: Screw 25MM
15	3236801	8	Hardware: Nut 10 MM ID
16	8220001	1	Label, ASTM, Select Vertical - English
17	9141101	4	LABEL, WARNING, STRAP TRAINING -ENG
18	9173101	4	PLATE, FOOT, 9.5 X 4.75
19	1003329-0000	1	WLDMT, MJCORE

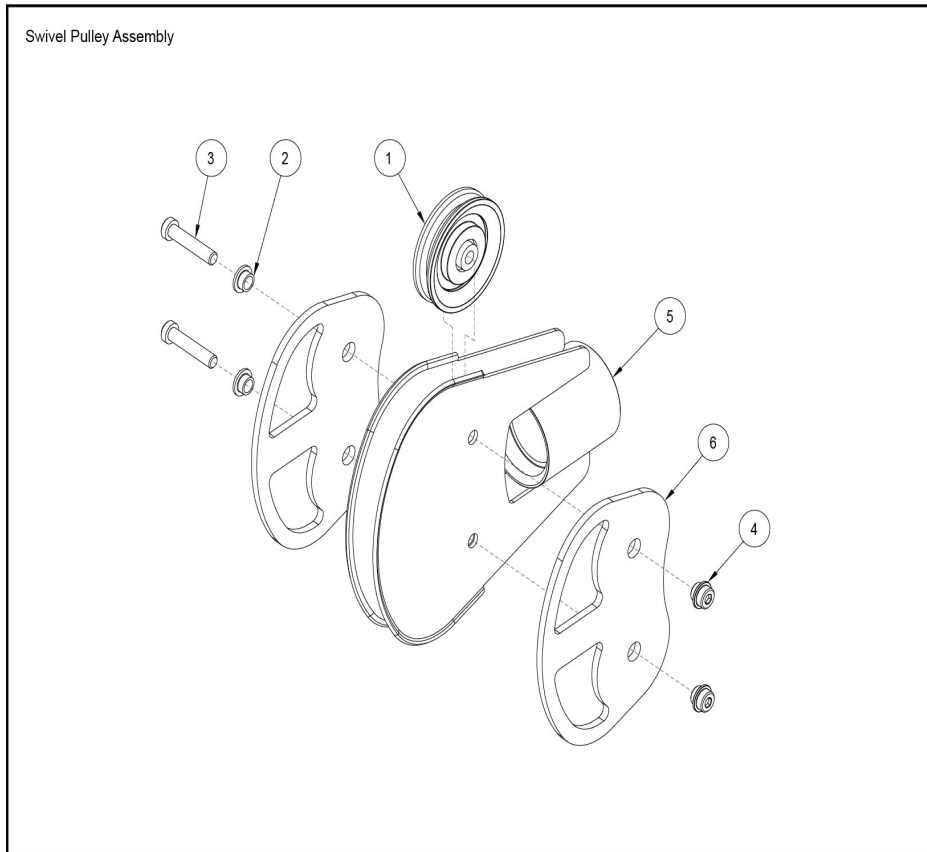
PP-DPH Assembly



Ref #	Part Number	Qty	Description
1	1005222-0000	1	ASSY, PP-DPH, BOOM
2	1002799-0001	1	ASSY, MJDPH, LOWER SUPPORT
3	1005218-0001	1	ASSY, 290LB STACK
4	1005225-0001	1	ASSY, STK PULLEY, 4 TO 1
5	1005229-0006	1	CABLE, PP-DPH
6	3237802	1	PULLEY, 1/4 IN CABLE (T3), 4.5 IN OD
7	7328618	2	Guide Rod .75 OD Solid X 71.50
8	3236209	1	Hardware: Screw 60MM
9	3273303	2	Hardware: WasherR, 3/8, THRU-HARDENED
10	3236801	3	Hardware: Nut 10 MM ID
11	3250201	2	Snap Link 3/8" D
12	1005234-0001	2	HANDLE, CYBEX, ADJ STRAP
13	7571301	1	Label Serial Number
14	8943601	2	Link CM/MJ Cable End
15	8943801	2	Insert CM/MJ Cable End
16	8943701	2	Housing CM/MJ Cable End
17	3250002	4	M5 X 0.8 X 8 HXS SOC CS ST BZ
18	1005239-0001	1	LABEL, PP-DPH, PLACARD -ENG
19	9548300	1	WLDMT, MJAP41 PULLEY
20	7732401	1	Bracket STACK BUMPER MOUNT
21	7642302	1	PLUG, CM/MJ, PLUG -CHR
22	7352101	2	Cushion Weight Stack

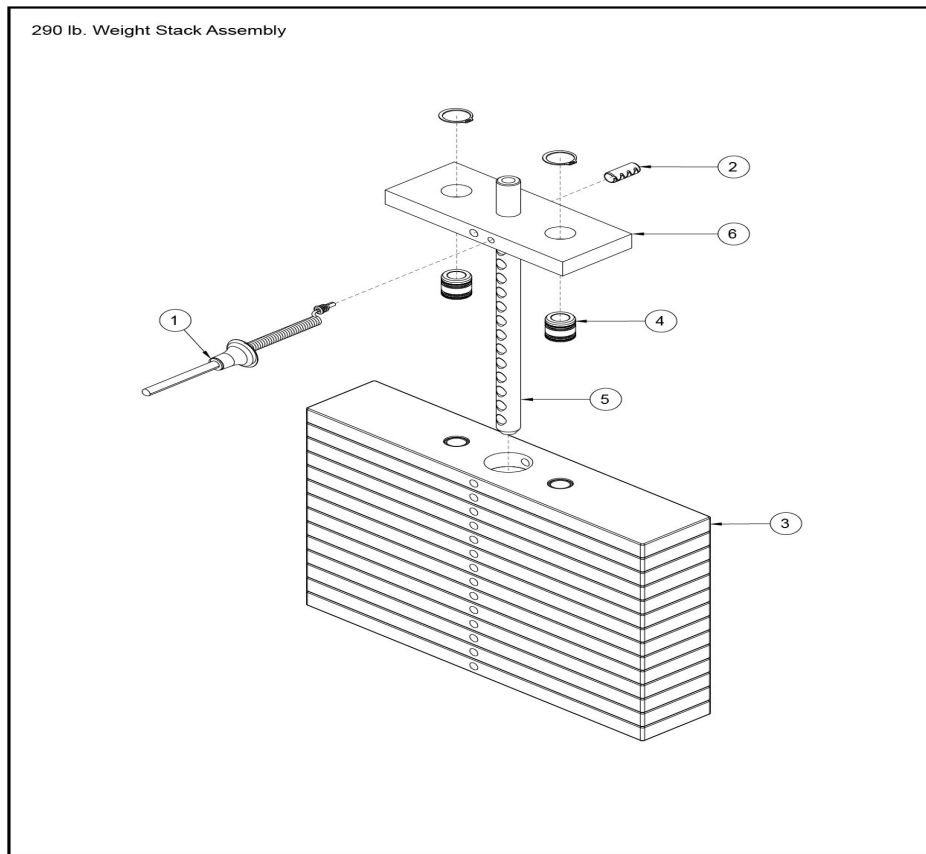
Ref #	Part Number	Qty	Description
23	7634401	2	Retainer CM/MJ Guide Rod
24	3232401	2	Reatining Ring 0.230" D
25	3240502	2	Set Screw
26	3236210	2	Hardware: Screw 65MM
27	3102514	7	Hardware: Flat Washer 3/8" ID
28	7744501	1	Label Weight At Handle-English
29	3236202	3	Hardware: Screw 25MM
30	3236220	4	Hardware: Screw 130MM
31	7630101	4	Retainer CM/MJ Pulley
32	7634701	4	Spacer CM/MJ .565 X .815
33	7335401	4	Hardware: Nut 10 MM ID
34	1005352-0001	1	ASSY, INC WGT PEG, LFLOV
35	PP-CORE-ASSY	1	ASSY, PP-CORE, COMPONENTS

Swivel Pulley Assembly



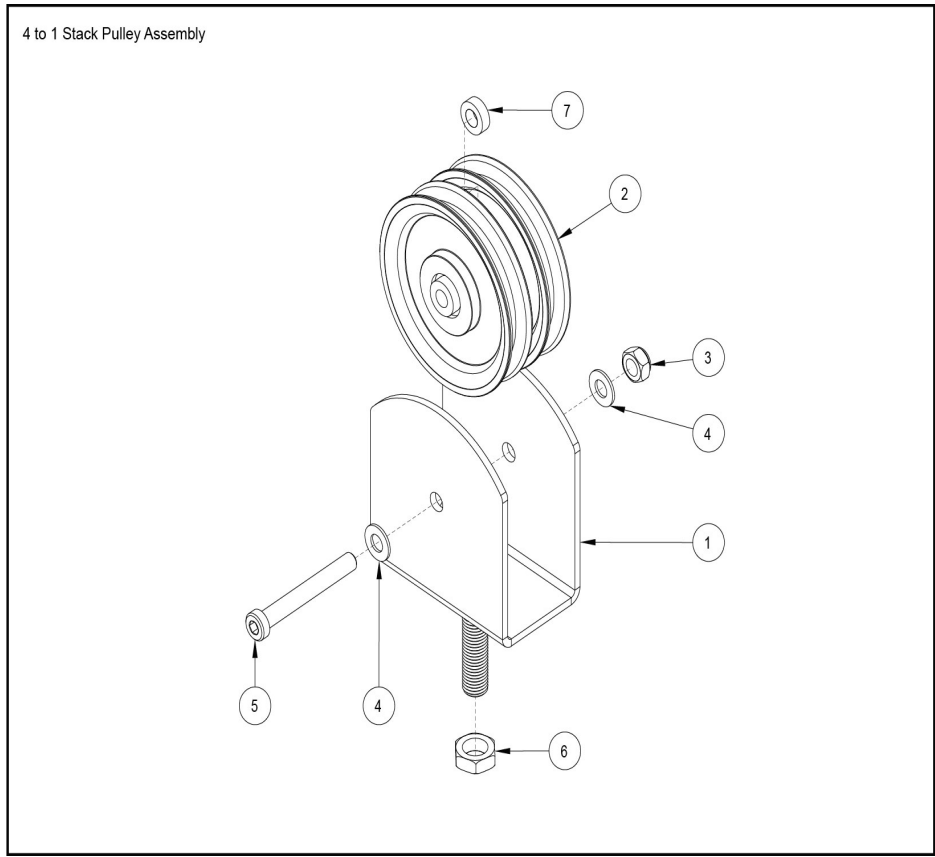
Ref #	Part Number	Qty	Description
1	3245702	2	PULLEY, 3.5IN OD, 10MM ID -CHR
2	7630101	2	Retainer CM/MJ Pulley
3	3236207	2	Hardware: Screw 50MM
4	7335401	2	Hardware: Nut 10 MM ID
5	1002922-0000	1	WLDMT, MJ, PULLEY Custom
6	1006009-0000	2	PLATE, DPH/DPL, PULLEY

290lb Stack Assembly



Ref #	Part Number	Qty	Description
1	1005176-0001	1	ASSY, SELECTOR PIN
2	3236001	1	SpringPin Bushing
3	7328402	14	WEIGHT PLATE, 20 LB -BLK
4	7338001	2	Bushing Headplate
5	7352601	1	Bayonet 14 Hole PRO2
6	7353902	1	HEADPLATE, WT. STACK -BLK
7	1005540-0001	1	LABEL, WGT STK, 97.5LB/48.75KG

4 to 1 Stack Pulley Assembly



Ref #	Part Number	Qty	Description
1	7644028	1	WLDMT,HEAD PLATE DBL PULLEY -CHR
2	3237802	2	PULLEY, 1/4 IN CABLE (T3), 4.5 IN OD
3	3236801	1	Hardware: Nut 10 MM ID
4	3273303	2	Hardware: WasherR, 3/8, THRU-HARDENED
5	3236213	1	Hardware: Screw 80MM
6	3236902	1	Hardware: Nut 16 MM ID
7	7385201	1	Spacer .406 X .750 X .250 SS

