

# PWR PLAY EMBEDDED HIGH LOW CROSSOVER

PP-FXO

## Parts Manual

1/5/2019 15:57:14 PM

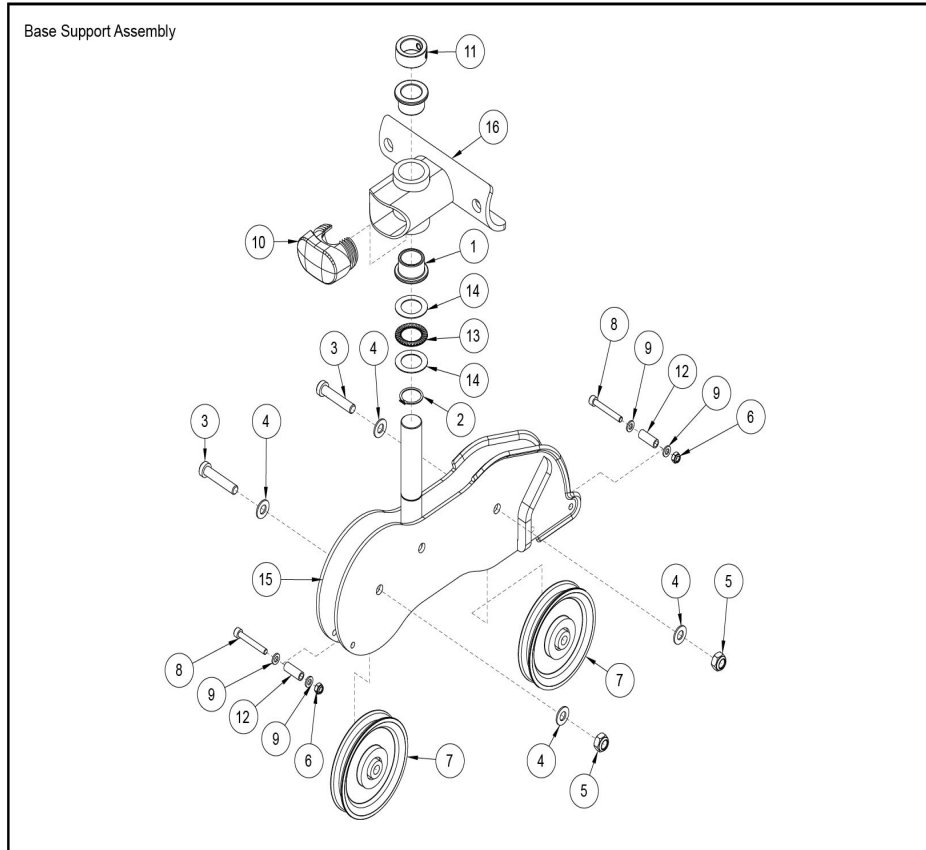


**Table of Contents**

---

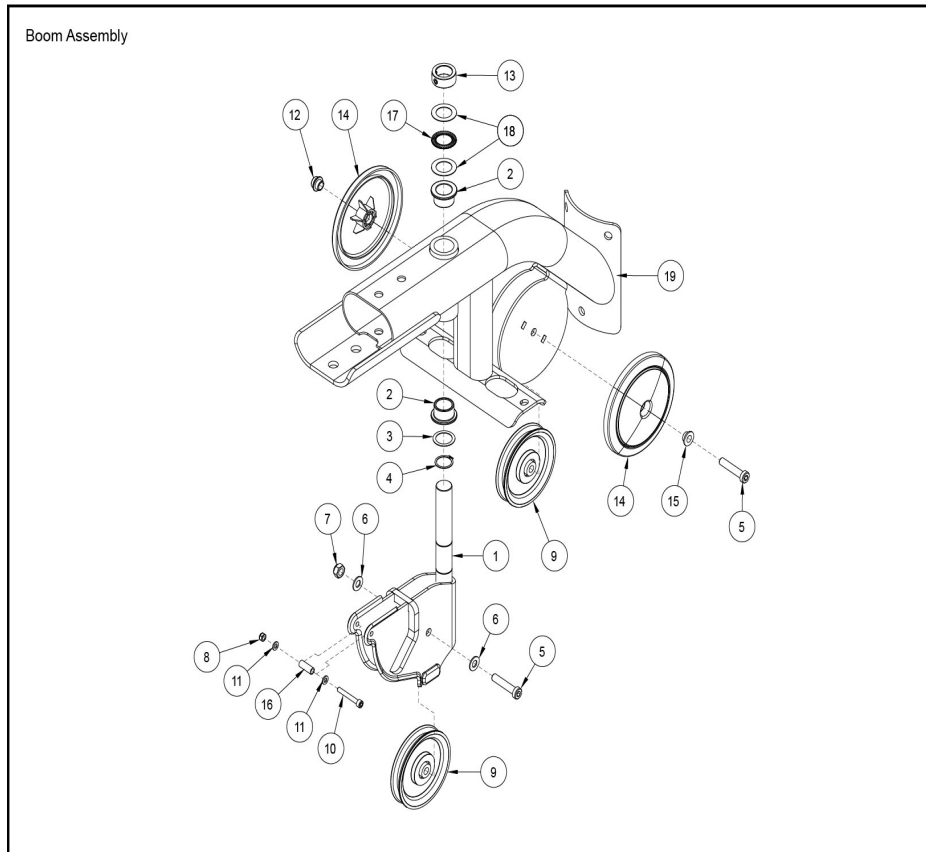
<a href="#">Base Support Assembly</a> .....	3
<a href="#">Boom Assembly</a> .....	4
<a href="#">Hardware Kit 1</a> .....	5
<a href="#">Hardware Kit 2</a> .....	6
<a href="#">Increment Weight Assembly</a> .....	7
<a href="#">Optional Shrouds</a> .....	8
<a href="#">PP-CORE Assembly</a> .....	9
<a href="#">PP-FXO Assembly</a> .....	10
<a href="#">X-Beam Assembly</a> .....	12
<a href="#">190lb Stack Assembly</a> .....	13

# Base Support Assembly



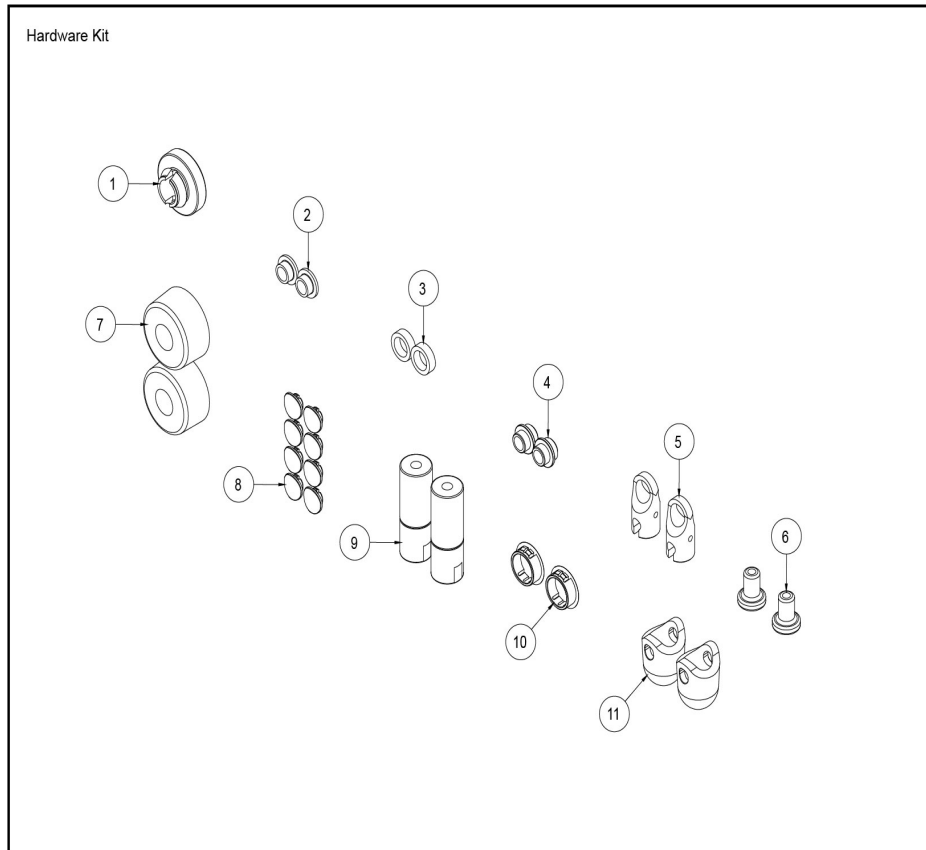
Ref #	Part Number	Qty	Description
1	3104903	2	Bearing 1" ID 1.25" OD
2	3232421	1	Retaining Ring 0.940" D
3	3236207	2	Hardware: Screw 50MM
4	3273303	4	Hardware: WasherR, 3/8, THRU-HARDENED
5	3236801	2	Hardware: Nut 10 MM ID
6	3236802	2	Hardware: Nut 6 MM ID
7	3237802	2	PULLEY, 1/4 IN CABLE (T3), 4.5 IN OD
8	3241706	2	M6 X 1 X 45MM SHCS Standard Head
9	3241801	4	Flat Washer 6MM
10	7333802	1	CAP, SMALL FLOW-END
11	7435301	1	Collar Shaft 1.020 ID
12	8002401	2	Spacer CM/MJ Pulley
13	9117301	1	BEARING, THRUST NEEDLE-ROLLER, 1 IN. ID
14	9117401	2	WASHER, THRUST NEEDLE-ROLLER BEARING, 1 IN. ID
15	1005531-0000	1	WLDMT, FCO/FXO/HL, PULLEY, BTM
16	7635901	1	Weldment MJFCO/FXO PULLEY SPRT

# Boom Assembly



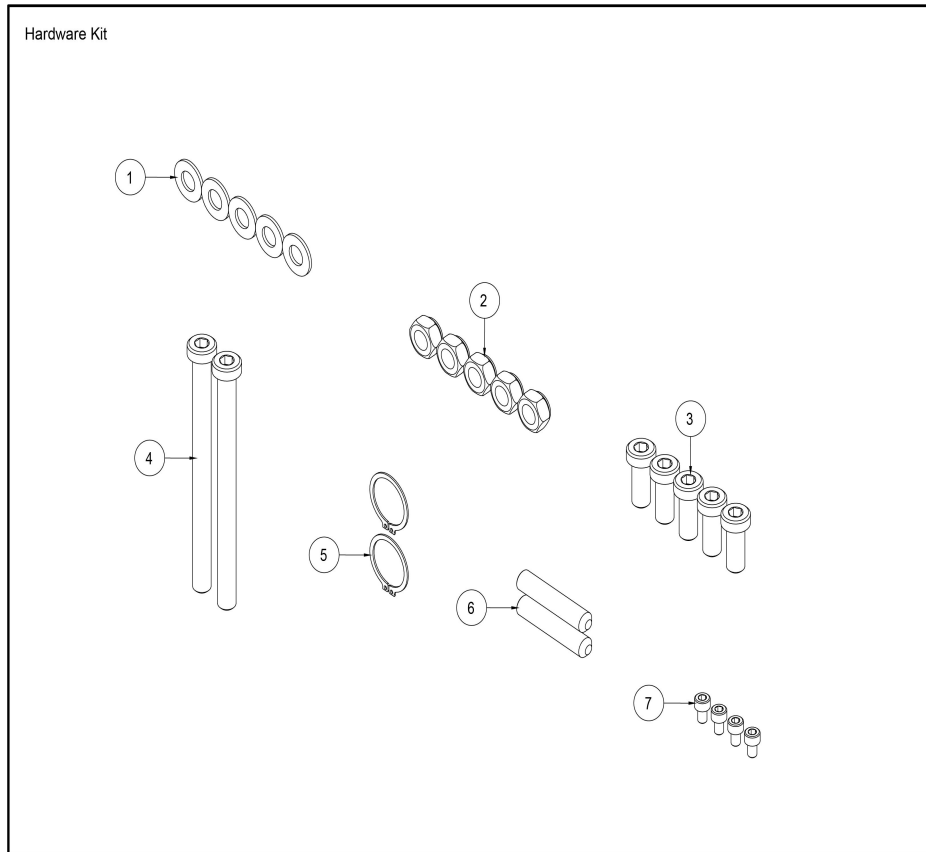
Ref #	Part Number	Qty	Description
1	1005748-0000	1	ASSY, PP-FCO/FXO/HL, PULLEY, TOP
2	3104903	2	Bearing 1" ID 1.25" OD
3	3225005	1	Washer
4	3232421	1	Retaining Ring 0.940" D
5	3236207	2	Hardware: Screw 50MM
6	3273303	2	Hardware: WasherR, 3/8, THRU-HARDENED
7	3236801	1	Hardware: Nut 10 MM ID
8	3236802	1	Hardware: Nut 6 MM ID
9	3237802	2	PULLEY, 1/4 IN CABLE (T3), 4.5 IN OD
10	3241706	1	M6 X 1 X 45MM SHCS Standard Head
11	3241801	2	Flat Washer 6MM
12	7335401	1	Hardware: Nut 10 MM ID
13	7435301	1	Collar Shaft 1.020 ID
14	7629902	2	COVER, PULLEY-BOLTED FULL
15	7630101	1	Retainer CM/MJ Pulley
16	8002401	1	Spacer CM/MJ Pulley
17	9117301	1	BEARING, THRUST NEEDLE-ROLLER, 1 IN. ID
18	9117401	2	WASHER, THRUST NEEDLE-ROLLER BEARING, 1 IN. ID
19	7636201	1	Weldment MJFCO/FXO BOOM

# Hardware Kit 1



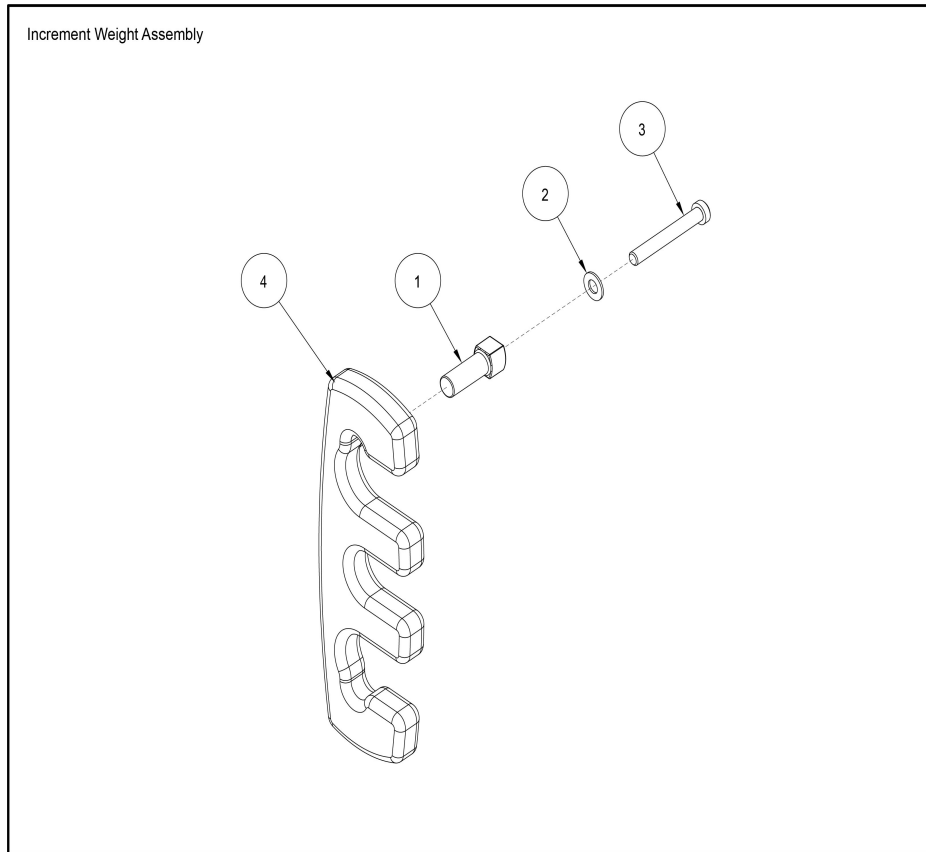
Ref #	Part Number	Qty	Description
1	7642302	1	PLUG, CM/MJ, PLUG -CHR
2	7630101	2	Retainer CM/MJ Pulley
3	7634701	2	Spacer CM/MJ .565 X .815
4	7335401	2	Hardware: Nut 10 MM ID
5	8943601	2	Link CM/MJ Cable End
6	8943802	2	INSERT, CABLE END -CHR
7	7352101	2	Cushion Weight Stack
8	7646802	8	PLUG, CURVED HOLE -CHR
9	7634401	2	Retainer CM/MJ Guide Rod
10	3237407	2	PLUG, 1 IN HOLE
11	8943702	2	HSNB, CABLE END -CHR

## Hardware Kit 2



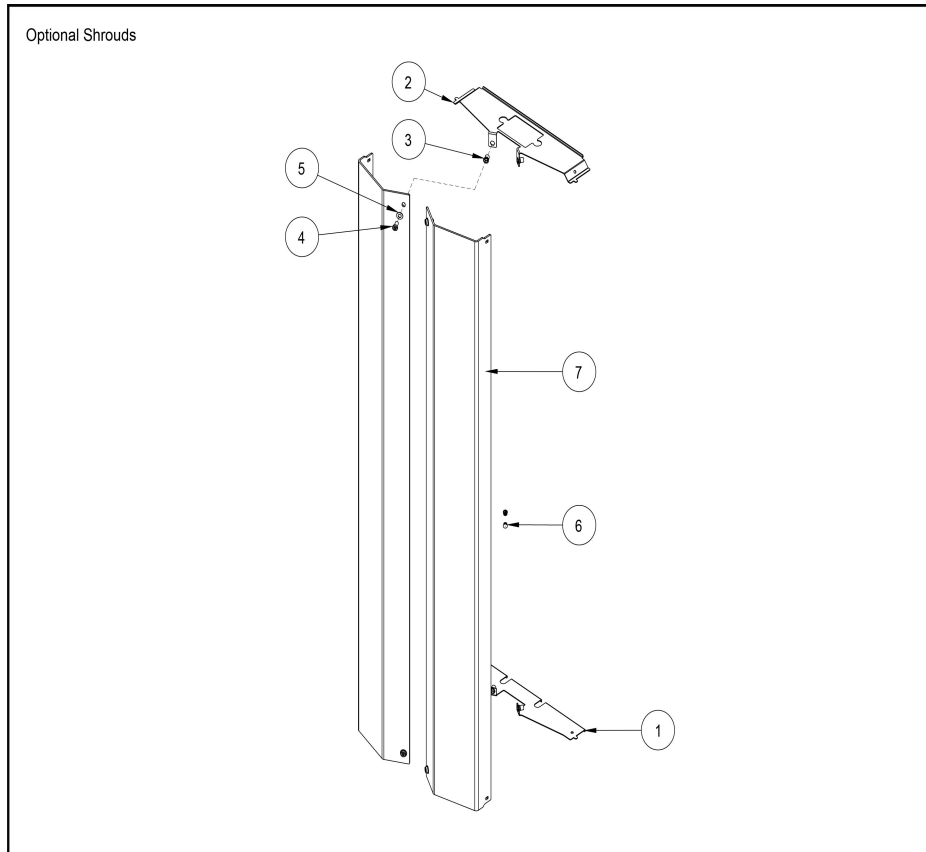
Ref #	Part Number	Qty	Description
1	3273303	5	Hardware: WasherR, 3/8, THRU-HARDENED
2	3236801	5	Hardware: Nut 10 MM ID
3	3236202	5	Hardware: Screw 25MM
4	3236220	2	Hardware: Screw 130MM
5	3232421	2	Retaining Ring 0.940" D
6	3240502	2	Set Screw
7	3250002	4	M5 X 0.8 X 8 HXS SOC CS ST BZ

# Increment Weight Assembly



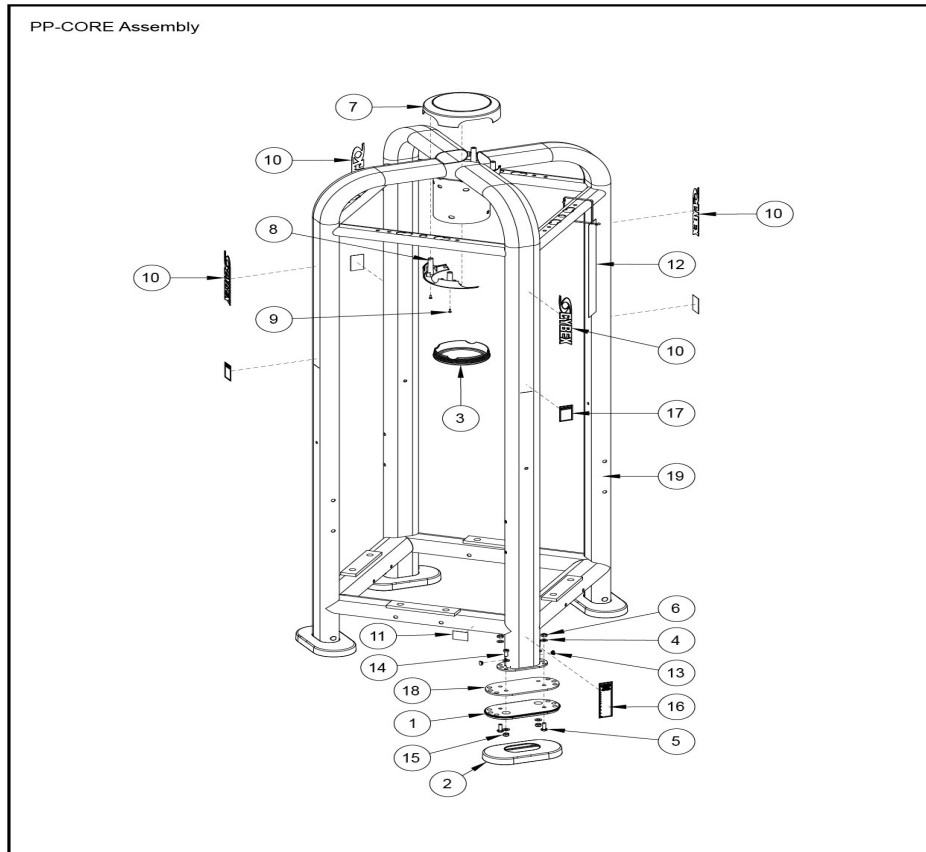
Ref #	Part Number	Qty	Description
1	7401702	1	COVER, PLASTIC PEG 2.25IN -CHR
2	3273303	1	Hardware: WasherR, 3/8, THRU-HARDENED
3	3236212	1	Hardware: Screw 75MM
4	7711502	2	WEIGHT, 5 LB ADD-ON -CHR

## Optional Shrouds



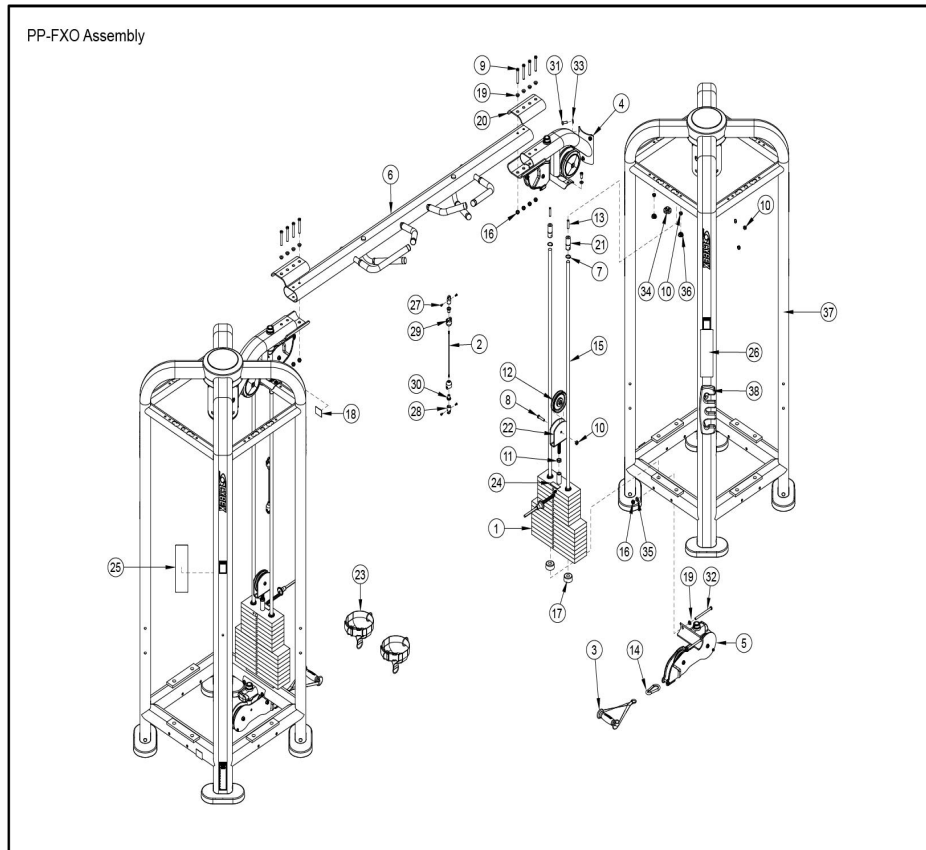
Ref #	Part Number	Qty	Description
1	9035995	1	BRKT, SHROUD, CMDAP, BOTTOM, SG
2	9035701	1	BRKT, SHROUD, CMDAP TOP
3	3238601	4	Blind Thread Insert - 1.5"
4	3236201	4	Hardware: Screw 20MM
5	3102514	4	Hardware: Flat Washer 3/8" ID
6	3237401	2	Plug 7/16" Hole
7	9035801	2	SHROUD, CM/MJ FRONT

# PP-CORE Assembly



Ref #	Part Number	Qty	Description
1	9199101	4	FOOT, FXT FLOV - LARGE
2	9169202	4	COVER, LG FOOT -CHR
3	7640402	1	COVER, BOTTOM CAP -CHR
4	3273303	24	Hardware: Washer, 3/8, THRU-HARDENED
5	3251203	8	Hardware: Screw 30MM
6	3254703	8	Hardware: Nut 10 MM ID
7	7629202	1	COVER, CENTER TOP -CHR
8	7629802	2	COVER, CENTER BOTTOM -CHR
9	3236501	4	Hardware: Nut 0.7" ID
10	1006135-0001	4	LABEL, CYBEX LOGO 10 IN
11	7571301	1	Label Serial Number
12	8343101	1	Tag - Bolt To Floor
13	7646802	8	PLUG, CURVED HOLE -CHR
14	3236202	8	Hardware: Screw 25MM
15	3236801	8	Hardware: Nut 10 MM ID
16	8220001	1	Label, ASTM, Select Vertical - English
17	9141101	4	LABEL, WARNING, STRAP TRAINING -ENG
18	9173101	4	PLATE, FOOT, 9.5 X 4.75
19	1003329-0000	1	WLDMT, MJCORE

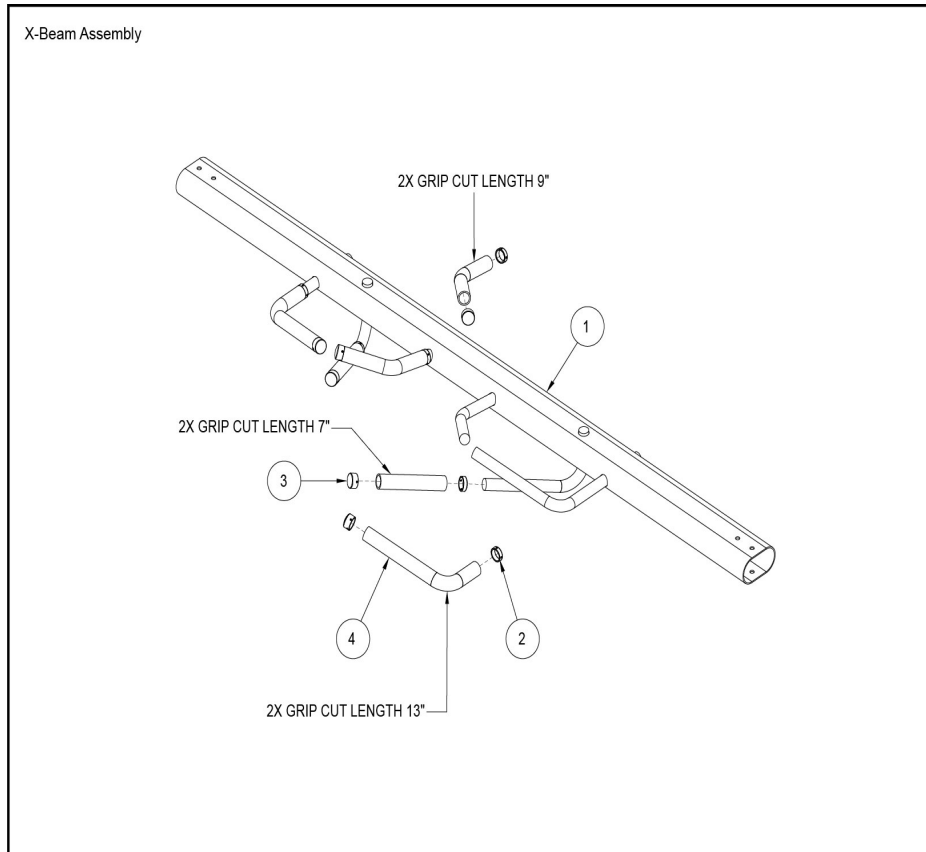
# PP-FXO Assembly



Ref #	Part Number	Qty	Description
1	1005217-0001	2	ASSY, 190LB STACK
2	1005229-0008	2	CABLE, PP-FXO
3	1005250-0001	2	HANDLE, CYBEX, SHORT STRAP
4	1005326-0000	2	ASSY, PP-FXO, BOOM
5	1005327-0000	2	ASSY, PP-FCO/FXO/HL, BOTTOM
6	1005328-0000	1	ASSY, PP, X-BEAM
7	3232421	4	Retaining Ring 0.940" D
8	3236206	2	Hardware: Screw 45MM
9	3236213	8	Hardware: Screw 80MM
10	3236801	12	Hardware: Nut 10 MM ID
11	3236902	2	Hardware: Nut 16 MM ID
12	3237802	2	PULLEY, 1/4 IN CABLE (T3), 4.5 IN OD
13	3240502	4	Set Screw
14	3250201	2	Snap Link 3/8" D
15	7328618	4	Guide Rod .75 OD Solid X 71.50
16	7335401	12	Hardware: Nut 10 MM ID
17	7352101	4	Cushion Weight Stack
18	7571301	1	Label Serial Number
19	7630101	12	Retainer CM/MJ Pulley
20	7633201	2	Bracket MJ Large Oval
21	7634401	4	Retainer CM/MJ Guide Rod
22	7642228	2	WLDMT,STK PULLEY -CHR

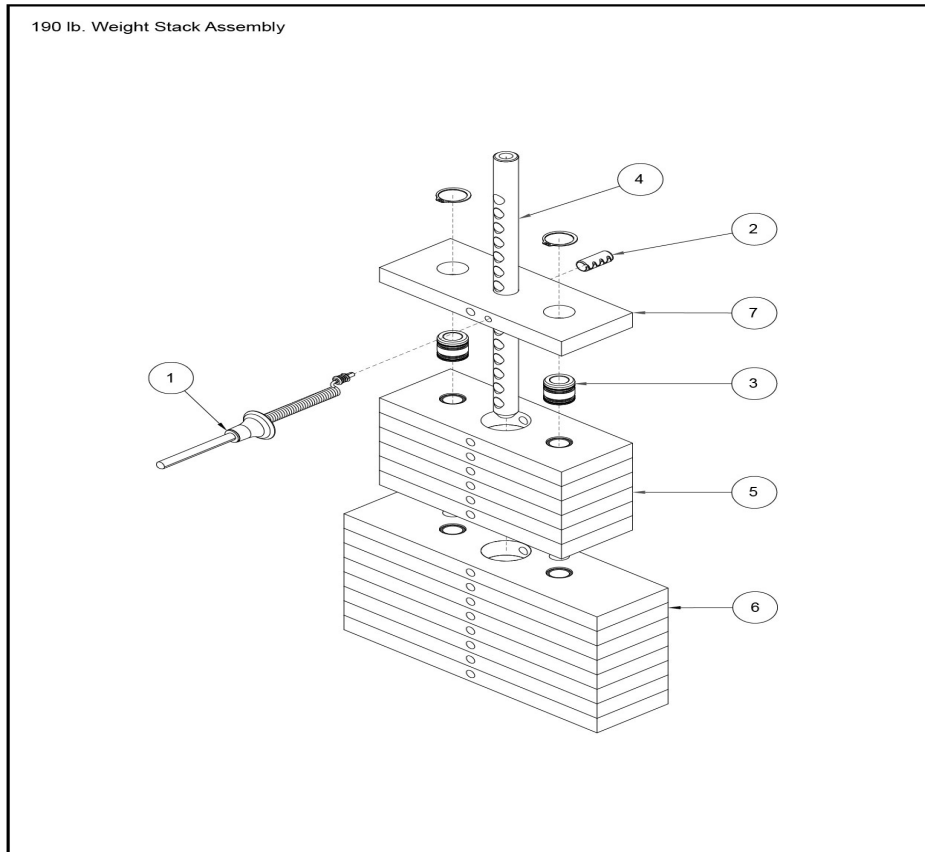
Ref #	Part Number	Qty	Description
23	7734701	2	Strap 4-Way Ankle
24	7744501	2	Label Weight At Handle-English
25	1005237-0001	1	LABEL, PP-ACO/AXO/FCO/FXO, PLACARD -ENG
26	1005238-0001	1	LABEL, PP-ACO/AXO/AP/FCO/FXO/AP41, PLACARD -ENG
27	3250002	8	M5 X 0.8 X 8 HXS SOC CS ST BZ
28	8943601	4	Link CM/MJ Cable End
29	8943702	4	HSNG, CABLE END -CHR
30	8943802	4	INSERT, CABLE END -CHR
31	3236202	10	Hardware: Screw 25MM
32	3236220	4	Hardware: Screw 130MM
33	3273303	10	Hardware: WasherR, 3/8, THRU-HARDENED
34	7642302	2	PLUG, CM/MJ, PLUG -CHR
35	7634701	4	Spacer CM/MJ .565 X .815
36	3237407	4	PLUG, 1 IN HOLE
37	PP-CORE-ASSY	2	ASSY, PP-CORE, COMPONENTS
38	1005352-0001	2	ASSY, INC WGT PEG, LFLOV

# X-Beam Assembly



Ref #	Part Number	Qty	Description
1	7632701	1	Weldment MJ X-Beam
2	7662801	6	Grip Ring 1.25"
3	7662901	6	Grip Cap
4	3235806	6	GRIP, 1.25 OD X .125 WALL OPEN END

# 190lb Stack Assembly



Ref #	Part Number	Qty	Description
1	1005176-0001	1	ASSY, SELECTOR PIN
2	3236001	1	SpringPin Bushing
3	7338001	2	Bushing Headplate
4	7352601	1	Bayonet 14 Hole PRO2
5	7353702	6	WEIGHT PLATE, 10 LB -BLK
6	7353802	8	WEIGHT PLATE, 15 LB -BLK
7	7353902	1	HEADPLATE, WT. STACK -BLK
8	1005538-0001	1	LABEL, WGT STK, 95LB/45.5KG

