

# PWR PLAY LAT PULL

PP-LP

## Parts Manual

1/5/2019 15:57:15 PM

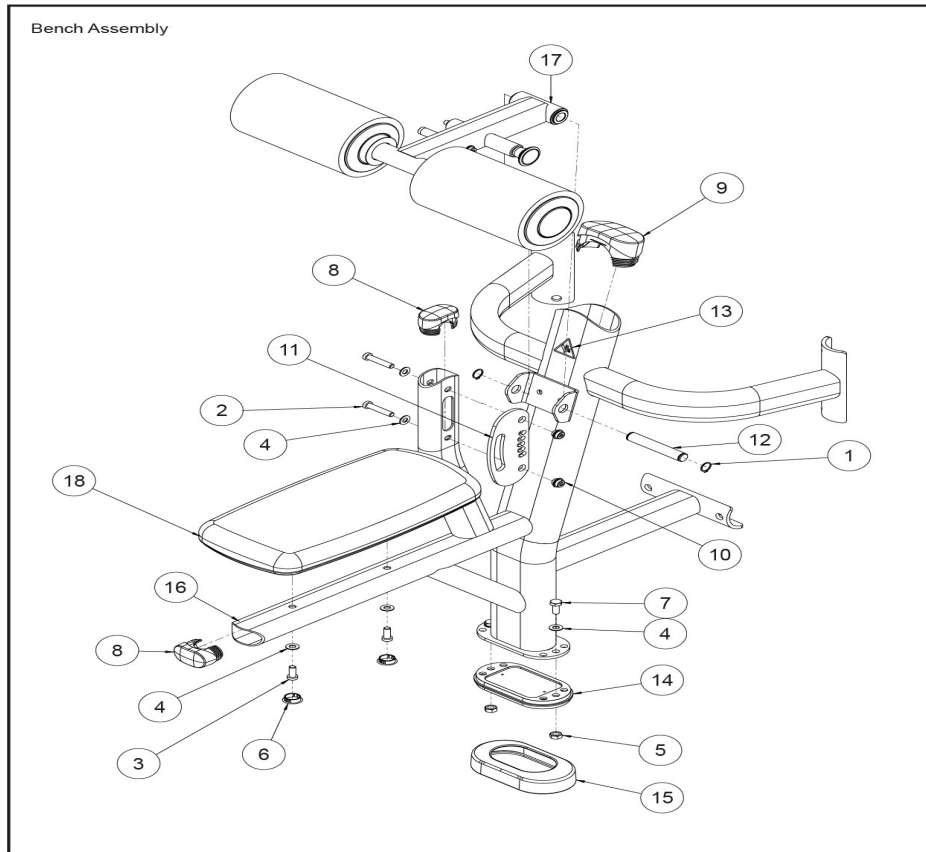


**Table of Contents**

---

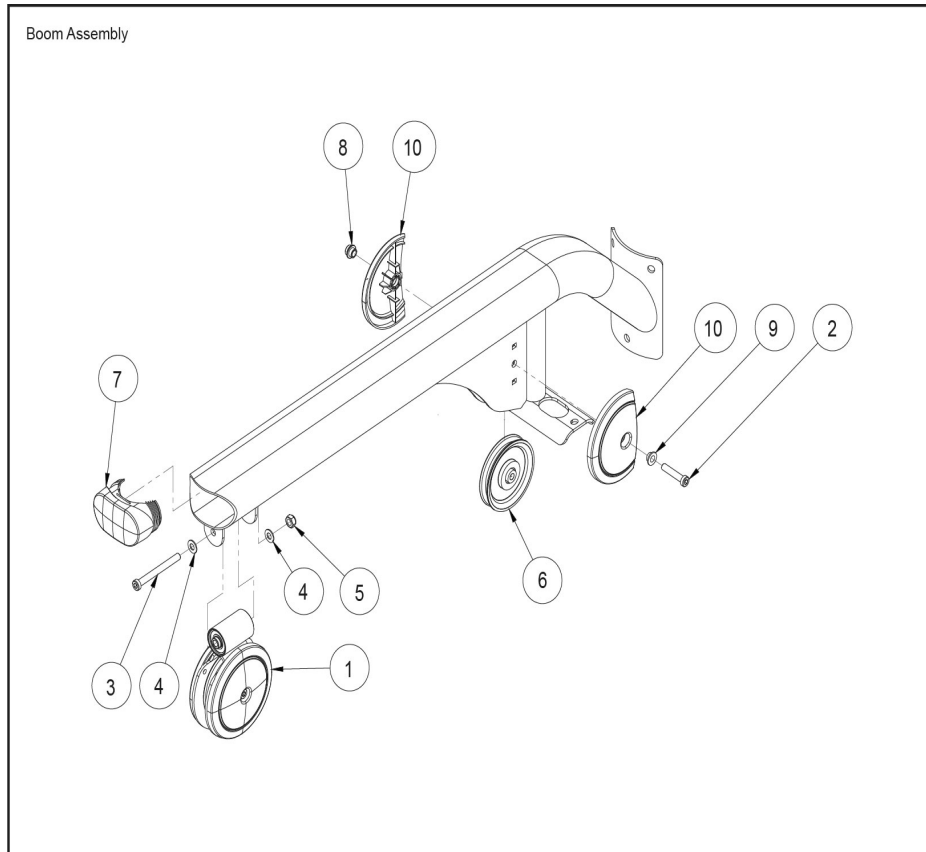
<a href="#">Bench Assembly</a> .....	3
<a href="#">Boom Assembly</a> .....	4
<a href="#">Hardware Kit 1</a> .....	5
<a href="#">Hardware Kit 2</a> .....	6
<a href="#">Hold Down Assembly</a> .....	7
<a href="#">Increment Weight Assembly</a> .....	8
<a href="#">Lat Bar Assembly</a> .....	9
<a href="#">Optional Shrouds</a> .....	10
<a href="#">PP-CORE Assembly</a> .....	11
<a href="#">PP-LP Assembly</a> .....	12
<a href="#">Swivel Pulley Assembly</a> .....	14
<a href="#">260lb Weight Stack Assembly</a> .....	15

# Bench Assembly



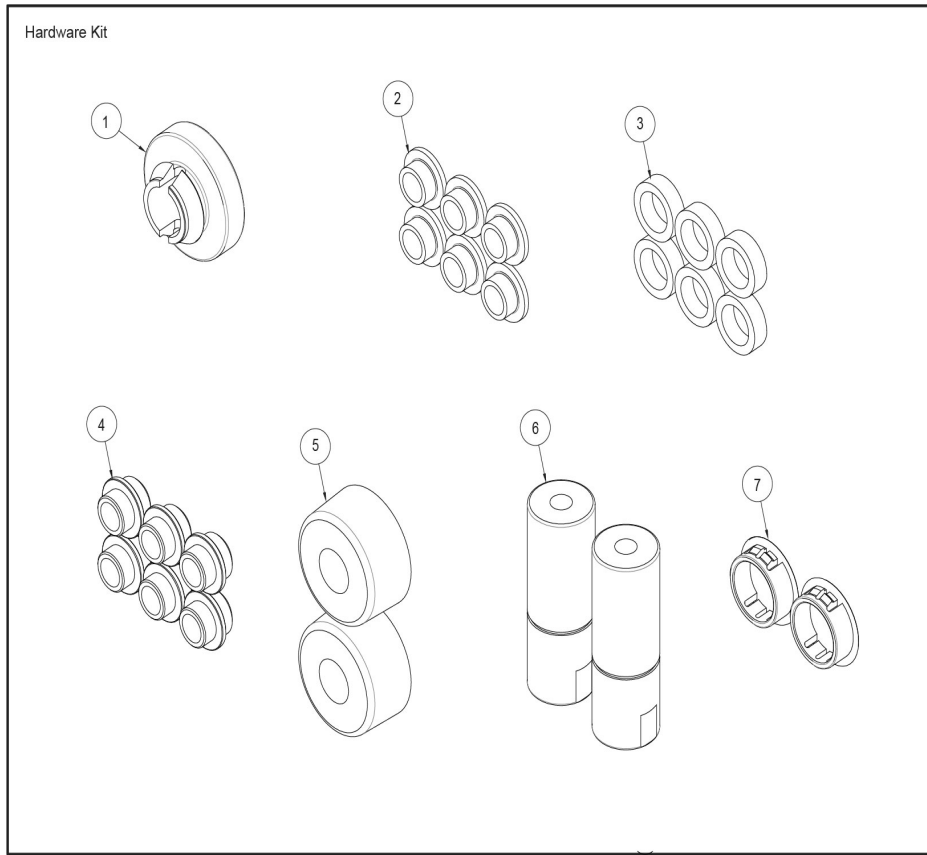
Ref #	Part Number	Qty	Description
1	3232415	2	Retaining Ring 0.704" D
2	3236207	2	Hardware: Screw 50MM
3	3236202	2	Hardware: Screw 25MM
4	3273303	6	Hardware: WasherR, 3/8, THRU-HARDENED
5	3254703	2	Hardware: Nut 10 MM ID
6	3237407	2	PLUG, 1 IN HOLE
7	3251202	2	Hardware: Screw 25MM
8	7333802	2	CAP, SMALL FLOV-END
9	7333902	1	CAP, LARGE FLOV-END; CHGR
10	7335401	2	Hardware: Nut 10 MM ID
11	7633601	1	Plate MJLP/LPD Adjust
12	7633702	1	Shaft CM/MJ Pivot X 4.230
13	8039501	1	Label Warning Triangle 10-0099-067 BNR
14	7334001	1	Foot 2.50 X 4.49 Flov 10-0074-046 BNR
15	7340202	1	COVER, FOOT, STRAIGHT -BLK
16	7631501	1	Weldment MJLP/LPD Bench
17	1005227-0000	1	ASSY, PP-LP/LPD, HOLD DOWN
18	1005360-0000	1	PAD 18 X 9 CONVEX Custom

# Boom Assembly



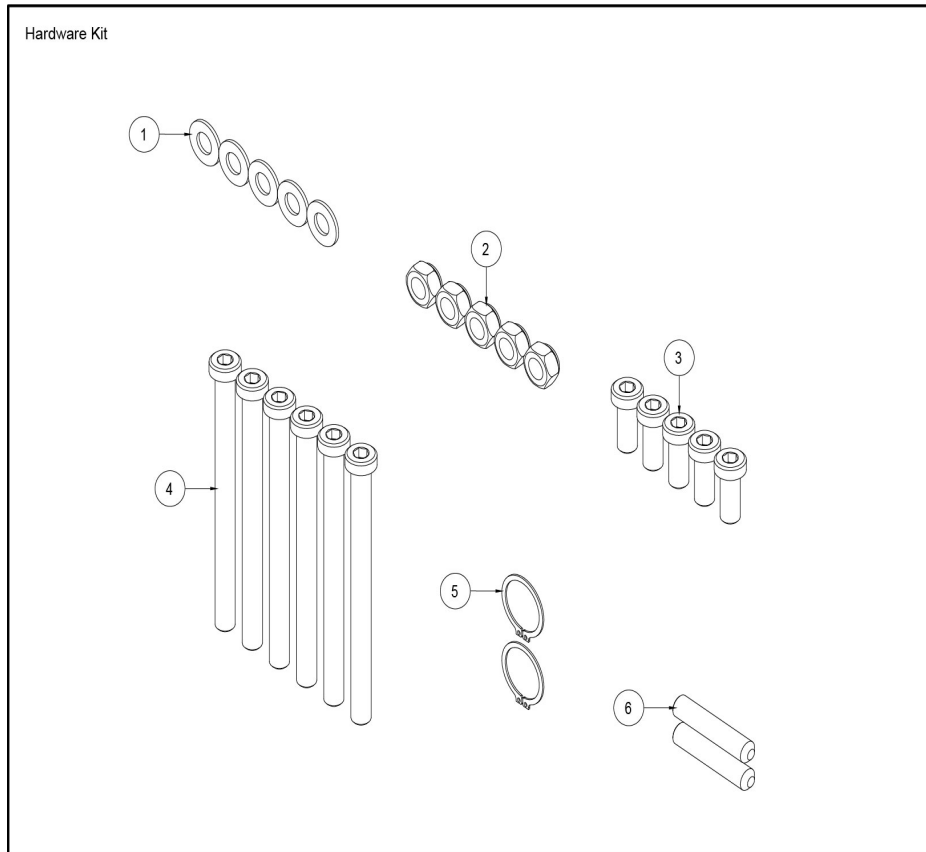
Ref #	Part Number	Qty	Description
1	1005223-0000	1	ASSY, PP, SWIVEL PULLEY W/O BALL STOP OR SLOT
2	3236207	1	Hardware: Screw 50MM
3	3236217	1	Hardware: Screw 100MM
4	3273303	2	Hardware: WasherR, 3/8, THRU-HARDENED
5	3236801	1	Hardware: Nut 10 MM ID
6	3237802	1	PULLEY, 1/4 IN CABLE (T3), 4.5 IN OD
7	7333902	1	CAP, LARGE FLOV-END; CHGR
8	7335401	1	Hardware: Nut 10 MM ID
9	7630101	1	Retainer CM/MJ Pulley
10	7630002	2	COVER, PULLEY BOLTED PARTIAL

# Hardware Kit 1



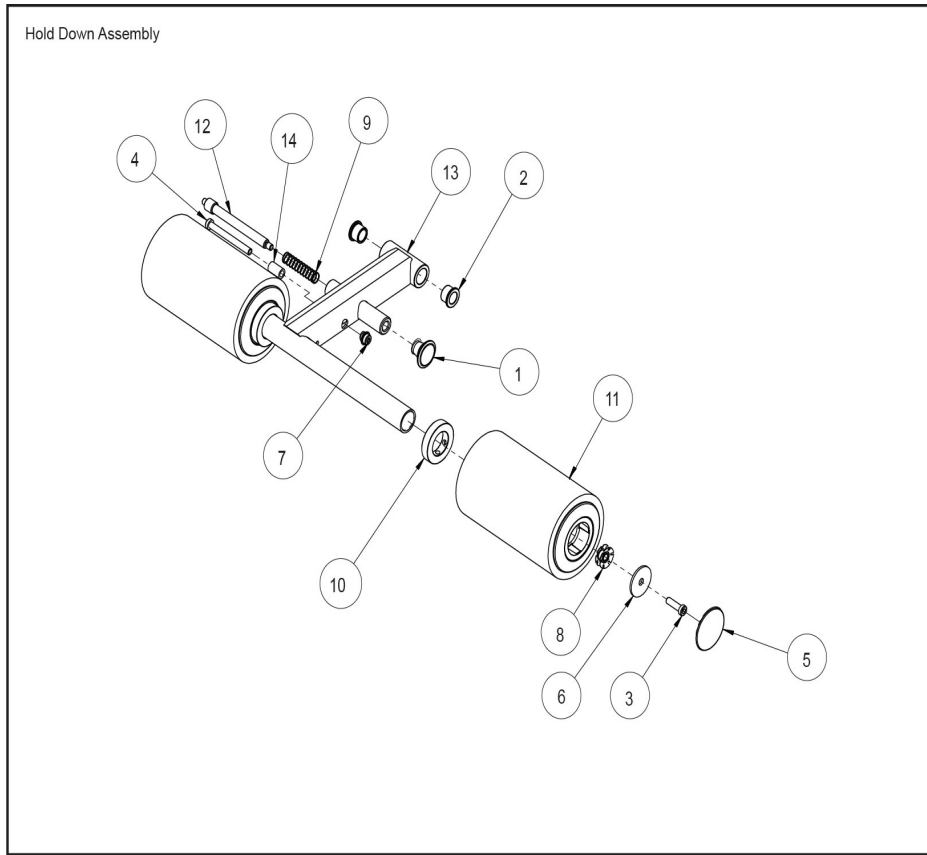
Ref #	Part Number	Qty	Description
1	7642302	1	PLUG, CM/MJ, PLUG -CHR
2	7630101	6	Retainer CM/MJ Pulley
3	7634701	6	Spacer CM/MJ .565 X .815
4	7335401	6	Hardware: Nut 10 MM ID
5	7352101	2	Cushion Weight Stack
6	7634401	2	Retainer CM/MJ Guide Rod
7	3237407	2	PLUG, 1 IN HOLE

## Hardware Kit 2



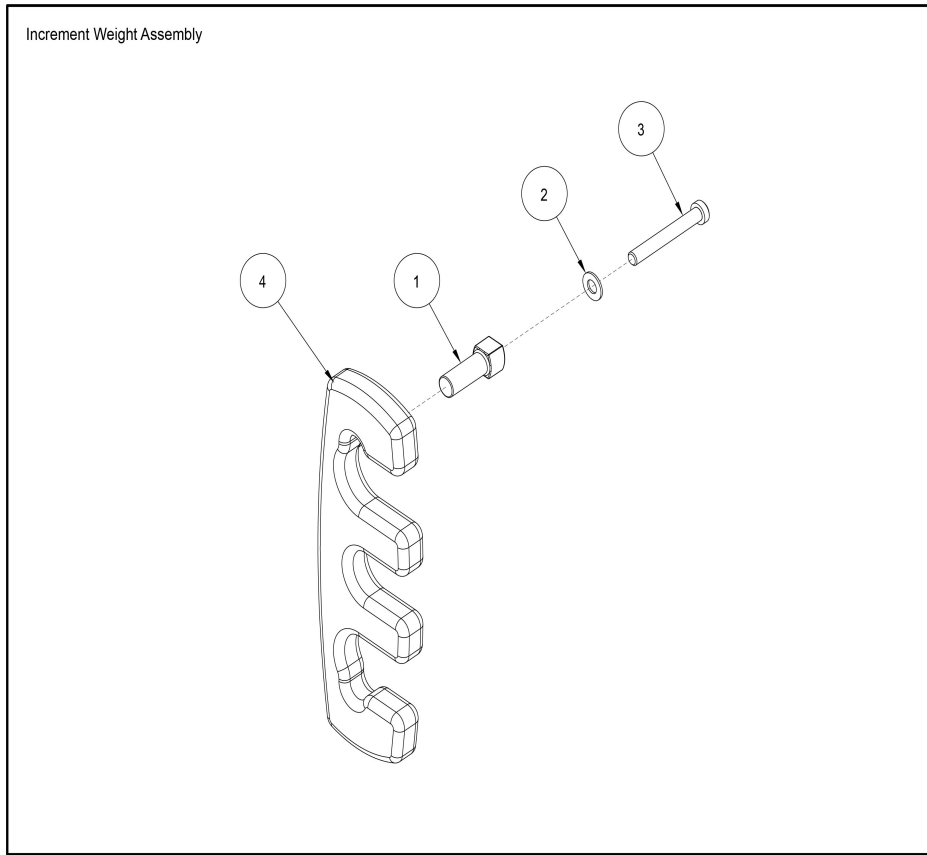
Ref #	Part Number	Qty	Description
1	3273303	5	Hardware: WasherR, 3/8, THRU-HARDENED
2	3236801	5	Hardware: Nut 10 MM ID
3	3236202	5	Hardware: Screw 25MM
4	3236220	6	Hardware: Screw 130MM
5	3232421	2	Retaining Ring 0.940" D
6	3240502	2	Set Screw

# Hold Down Assembly



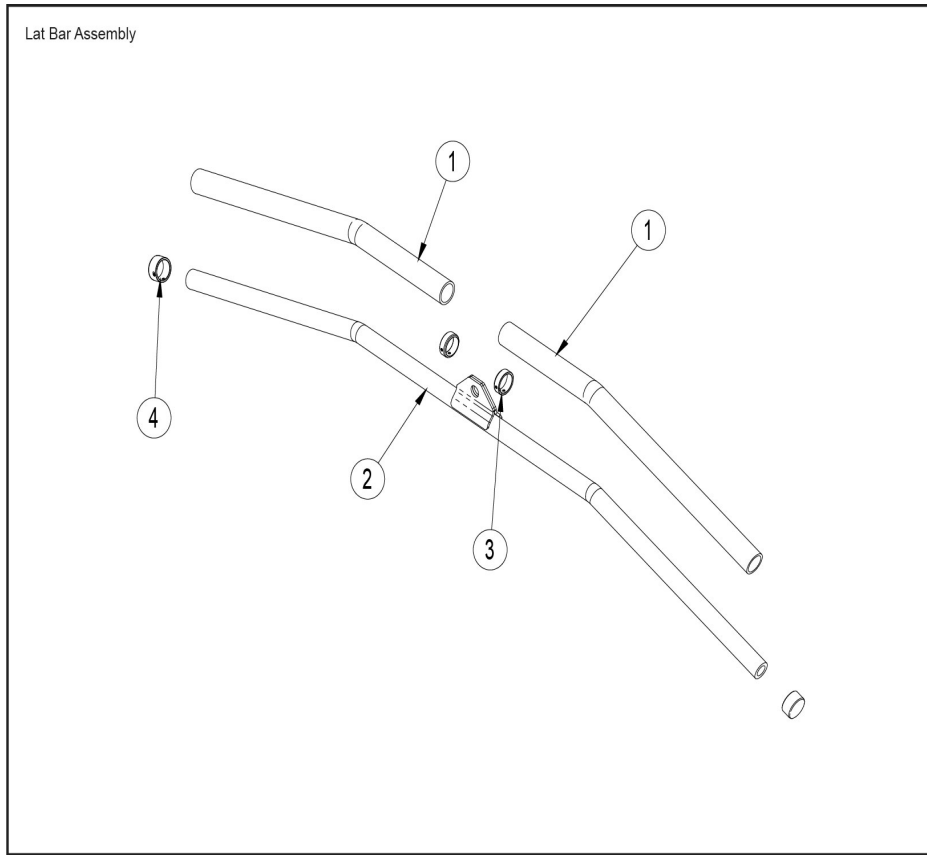
Ref #	Part Number	Qty	Description
1	11040-440	1	KNOB
2	3104901	2	Bearing 3/4" ID 1" OD
3	3236204	2	Hardware: Screw 35MM
4	3236217	1	Hardware: Screw 100MM
5	7308702	2	CAP, BEARING HOUSING
6	7322301	2	Plate 1.97 OD X .447 ID 10 GA
7	7335401	1	Hardware: Nut 10 MM ID
8	7347301	2	Hardware: Nut 10 MM ID
9	7351501	1	Pull Pin Spring
10	7357901	2	Shaft Collar
11	1000005-0000	2	ASSY, ROLLER PAD - SHORT
12	7425102	1	Pull Pin 6.750
13	7632601	1	Weldment MJLP/LPD Hold Down
14	7634501	1	Spacer CM/MJ .406 X .630 X 1.06 SS

# Increment Weight Assembly



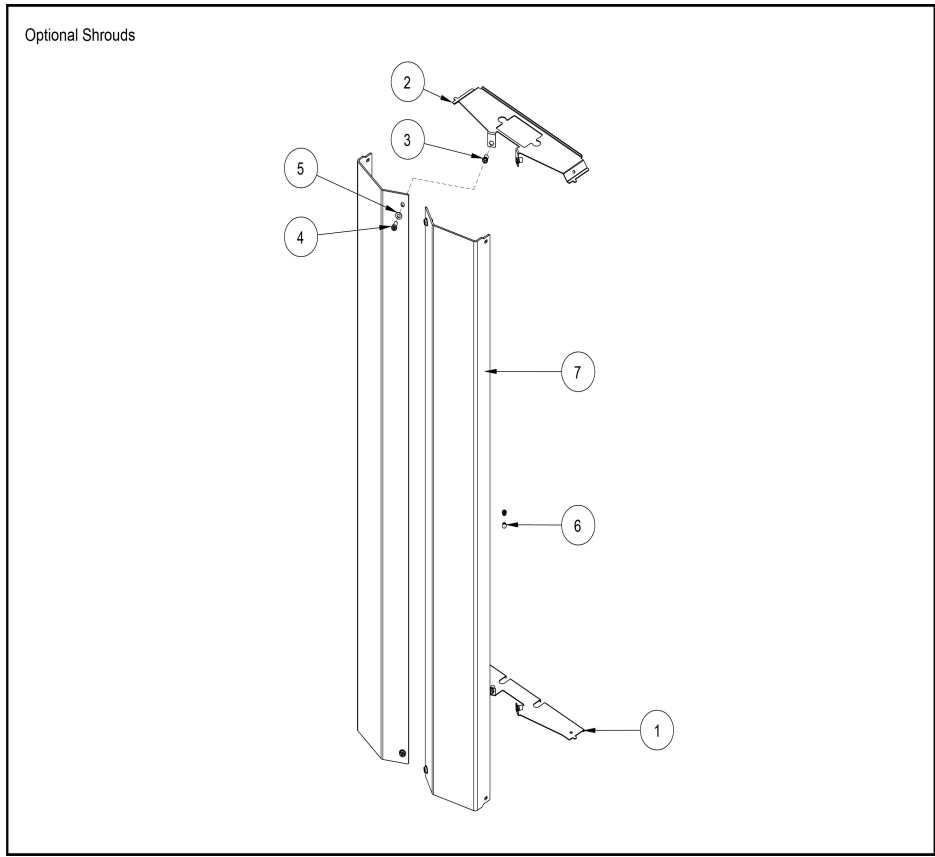
Ref #	Part Number	Qty	Description
1	7401702	1	COVER, PLASTIC PEG 2.25IN -CHR
2	3273303	1	Hardware: WasherR, 3/8, THRU-HARDENED
3	3236212	1	Hardware: Screw 75MM
4	7711502	1	WEIGHT, 5 LB ADD-ON -CHR

# Lat Bar Assembly



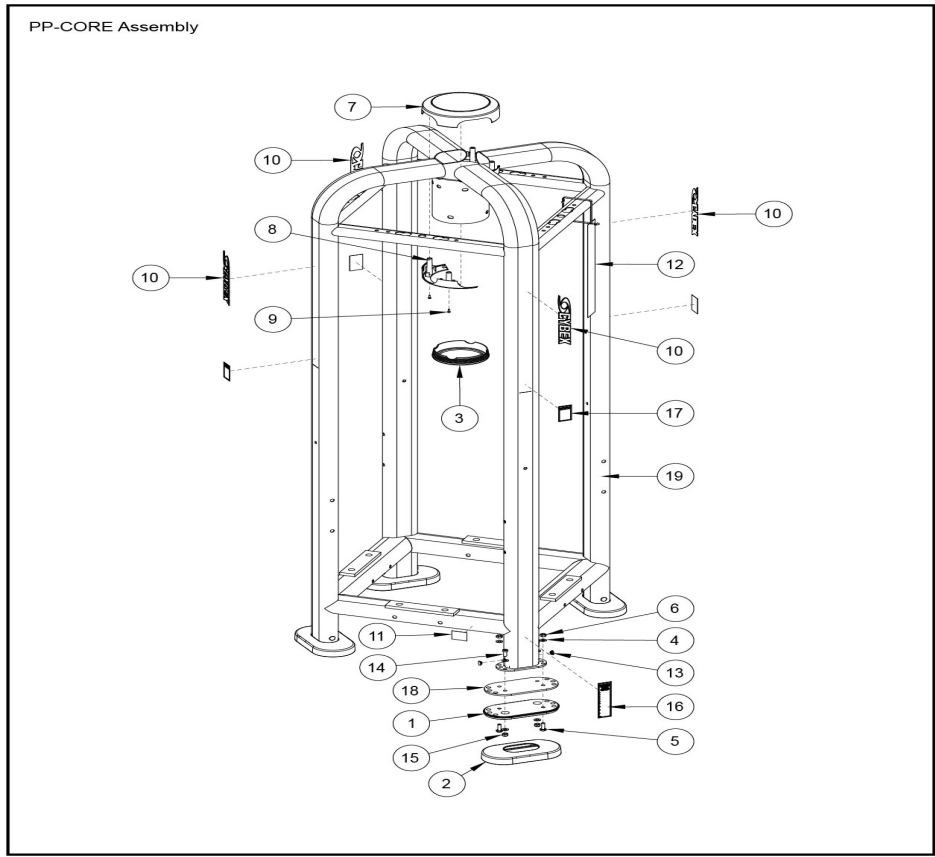
Ref #	Part Number	Qty	Description
1	3235806	2	GRIP, 1.25 OD X .125 WALL OPEN END
2	7365728	1	WLDMT, LAT BAR, SNGL CABLE -CHR
3	7662801	2	Grip Ring 1.25"
4	7662901	2	Grip Cap

# Optional Shrouds



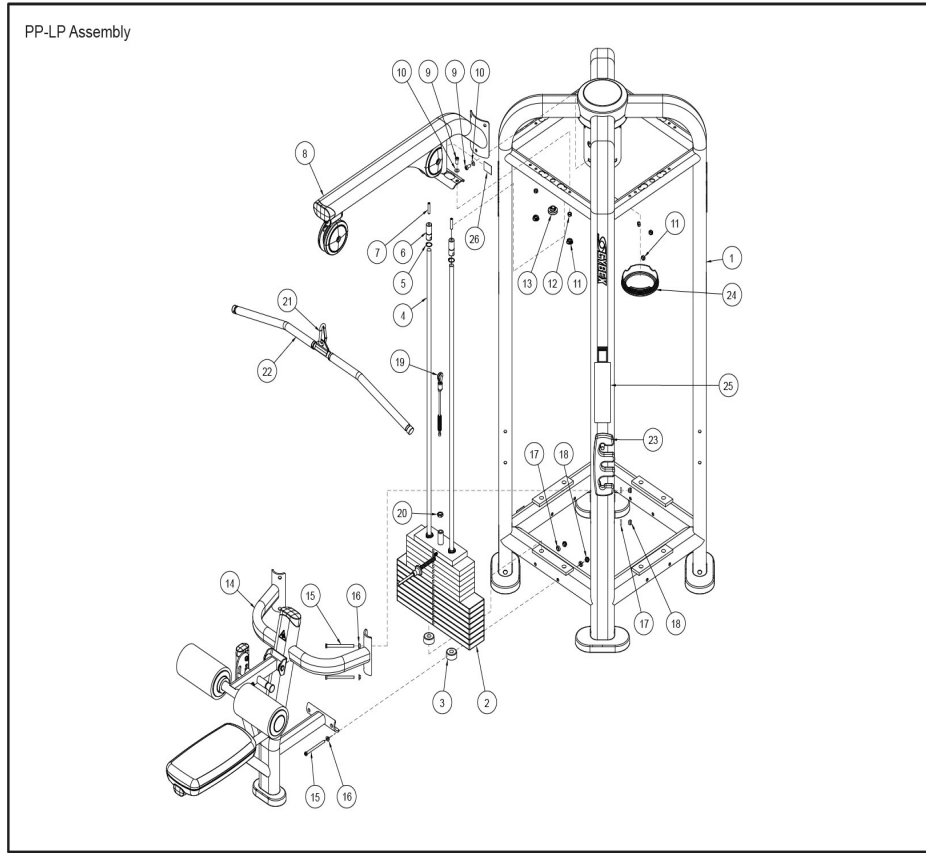
Ref #	Part Number	Qty	Description
1	9035995	1	BRKT, SHROUD, CMDAP, BOTTOM, SG
2	9035701	1	BRKT, SHROUD, CMDAP TOP
3	3238601	4	Blind Thread Insert - 1.5"
4	3236201	4	Hardware: Screw 20MM
5	3102514	4	Hardware: Flat Washer 3/8" ID
6	3237401	2	Plug 7/16" Hole
7	9035801	2	SHROUD, CM/MJ FRONT

**PP-CORE Assembly**



Ref #	Part Number	Qty	Description
1	9199101	4	FOOT, FXT FLOV - LARGE
2	9169202	4	COVER, LG FOOT -CHR
3	7640402	1	COVER, BOTTOM CAP -CHR
4	3273303	24	Hardware: WasherR, 3/8, THRU-HARDENED
5	3251203	8	Hardware: Screw 30MM
6	3254703	8	Hardware: Nut 10 MM ID
7	7629202	1	COVER, CENTER TOP -CHR
8	7629802	2	COVER, CENTER BOTTOM -CHR
9	3236501	4	Hardware: Nut 0.7" ID
10	1006135-0001	4	LABEL, CYBEX LOGO 10 IN
11	7571301	1	Label Serial Number
12	8343101	1	Tag - Bolt To Floor
13	7646802	8	PLUG, CURVED HOLE -CHR
14	3236202	8	Hardware: Screw 25MM
15	3236801	8	Hardware: Nut 10 MM ID
16	8220001	1	Label, ASTM, Select Vertical - English
17	9141101	4	LABEL, WARNING, STRAP TRAINING -ENG
18	9173101	4	PLATE, FOOT, 9.5 X 4.75
19	1003329-0000	1	WLDMT, MJCORE

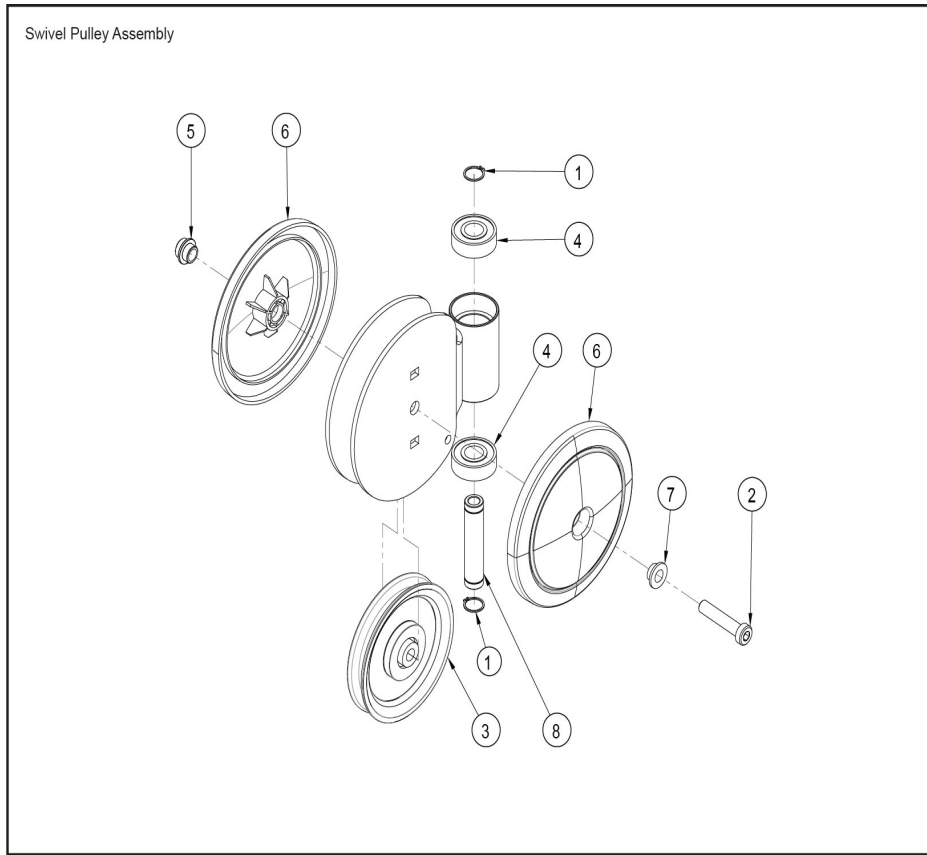
**PP-LP Assembly**



Ref #	Part Number	Qty	Description
1	PP-CORE-ASSY	1	ASSY, PP-CORE, COMPONENTS
2	1005216-0001	1	ASSY, 260LB STACK
3	7352101	2	Cushion Weight Stack
4	7328618	2	Guide Rod .75 OD Solid X 71.50
5	3232421	2	Retaining Ring 0.940" D
6	7634401	2	Retainer CM/MJ Guide Rod
7	3240502	2	Set Screw
8	1005224-0000	1	ASSY, PP-LP, BOOM
9	3236202	5	Hardware: Screw 25MM
10	3273303	5	Hardware: WasherR, 3/8, THRU-HARDENED
11	3236801	5	Hardware: Nut 10 MM ID
12	3237403	2	Plug 1" Hole
13	7642301	1	Bumper CM/MJ Plug
14	1005231-0000	1	ASSY, PP-LP/LPD, BENCH
15	3236220	6	Hardware: Screw 130MM
16	7630101	6	Retainer CM/MJ Pulley
17	7634701	6	Spacer CM/MJ .565 X .815
18	7335401	6	Hardware: Nut 10 MM ID
19	1005269-0003	1	CABLE, PP-LP
20	3236902	1	Hardware: Nut 16 MM ID
21	3250201	1	Snap Link 3/8" D
22	1005252-0001	1	ASSY, LAT BAR

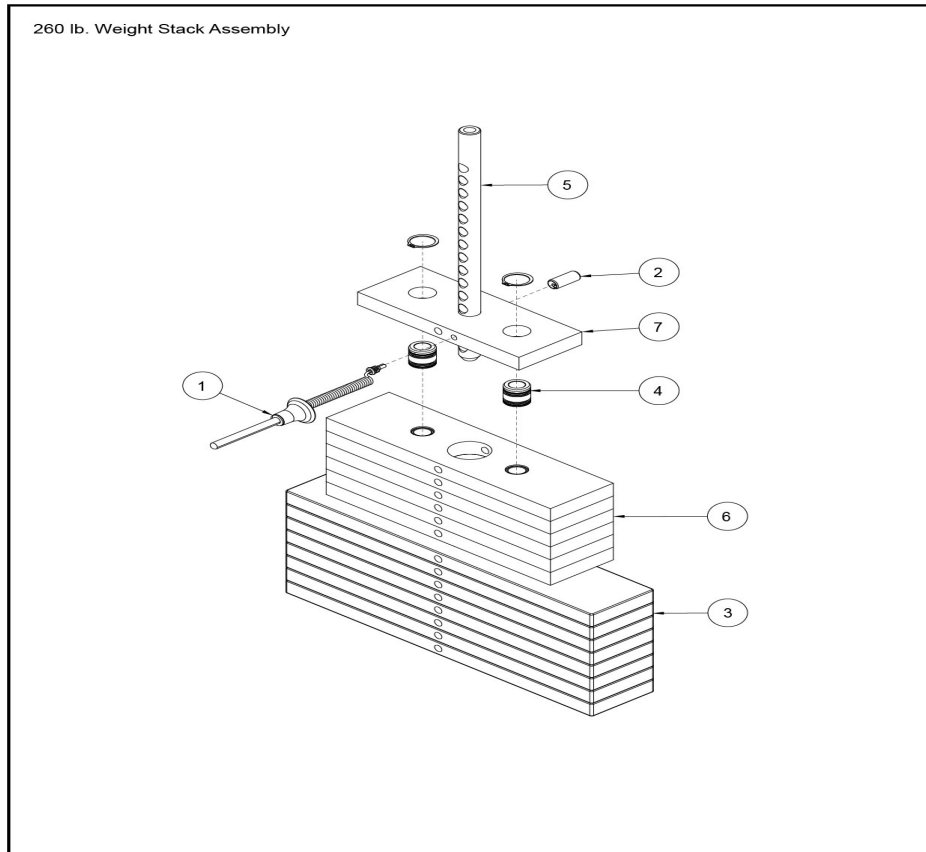
<b>Ref #</b>	<b>Part Number</b>	<b>Qty</b>	<b>Description</b>
23	1005352-0001	1	ASSY, INC WGT PEG, LFLOV
24	7640401	1	Bottom Cap
25	1005244-0001	1	LABEL, PP-LP, PLACARD -ENG
26	7571301	1	Label Serial Number

# Swivel Pulley Assembly



Ref #	Part Number	Qty	Description
1	3232413	2	Retaining Ring 0.631" D
2	3236207	1	Hardware: Screw 50MM
3	3237802	1	PULLEY, 1/4 IN CABLE (T3), 4.5 IN OD
4	3245901	2	Bearing
5	7335401	1	Hardware: Nut 10 MM ID
6	7629902	2	COVER, PULLEY-BOLTED FULL
7	7630101	1	Retainer CM/MJ Pulley
8	7645401	1	Shaft CM/MJ 6203 Bearing

## 260lb Weight Stack Assembly



Ref #	Part Number	Qty	Description
1	1005176-0001	1	ASSY, SELECTOR PIN
2	3236001	1	SpringPin Bushing
3	7328402	8	WEIGHT PLATE, 20 LB -BLK
4	7338001	2	Bushing Headplate
5	7352601	1	Bayonet 14 Hole PRO2
6	7353802	6	WEIGHT PLATE, 15 LB -BLK
7	7353902	1	HEADPLATE, WT. STACK -BLK
8	1005541-0001	1	LABEL, WGT STK, 260LB/127KG

