

PWR PLAY ROPE PULL

PP-RPL

Parts Manual

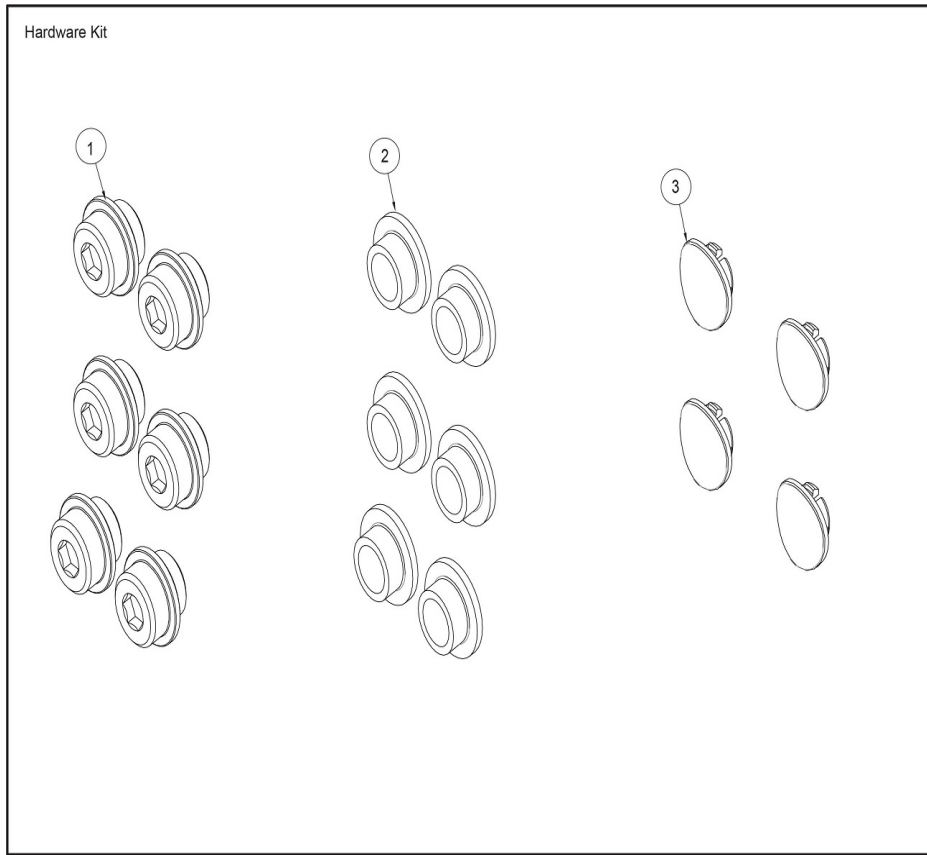
1/5/2019 15:58:39 PM



Table of Contents

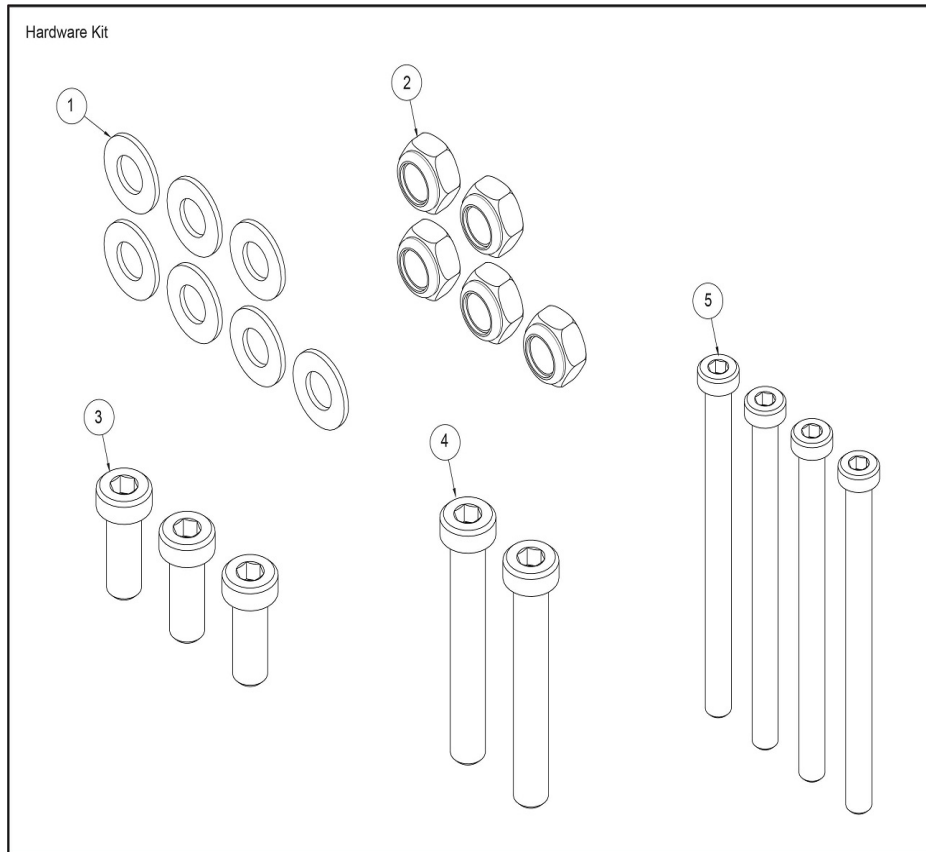
[Hardware Kit 1](#).....3
[Hardware Kit 2](#).....4
[PP-CORE Assembly](#).....5
[PP-RPL Assembly](#).....6
[Rope Pull Drum Assembly](#).....8

Hardware Kit 1



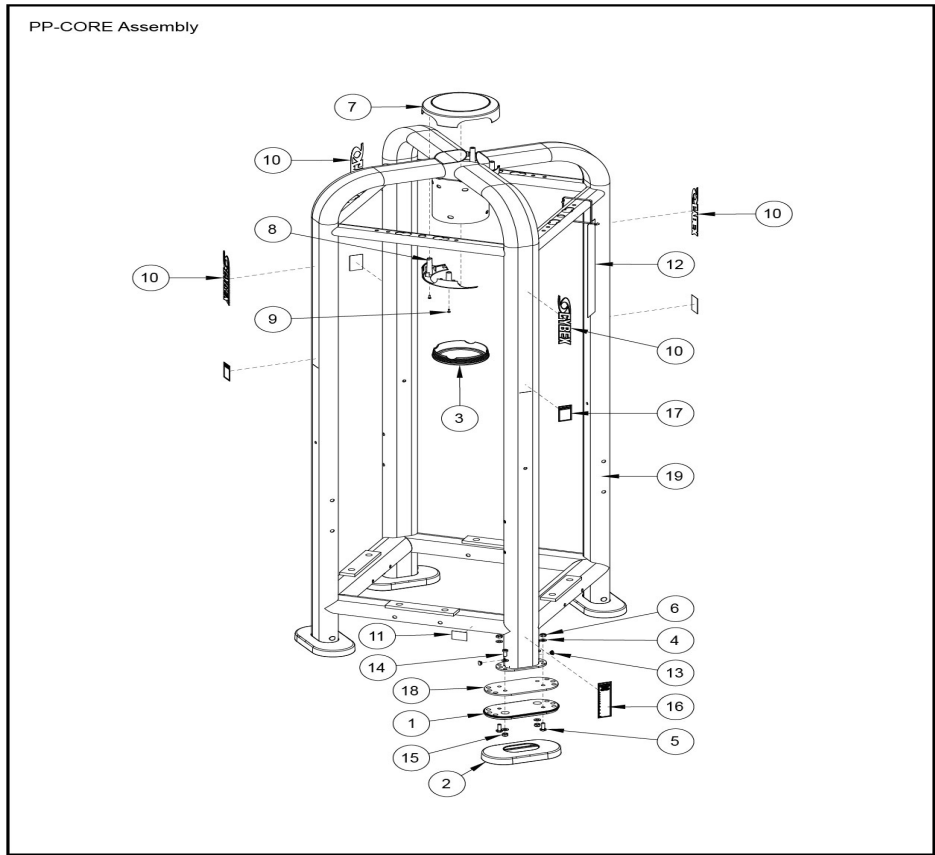
Ref #	Part Number	Qty	Description
1	7335401	6	Hardware: Nut 10 MM ID
2	7630101	6	Retainer CM/MJ Pulley
3	7646802	4	PLUG, CURVED HOLE -CHR

Hardware Kit 2



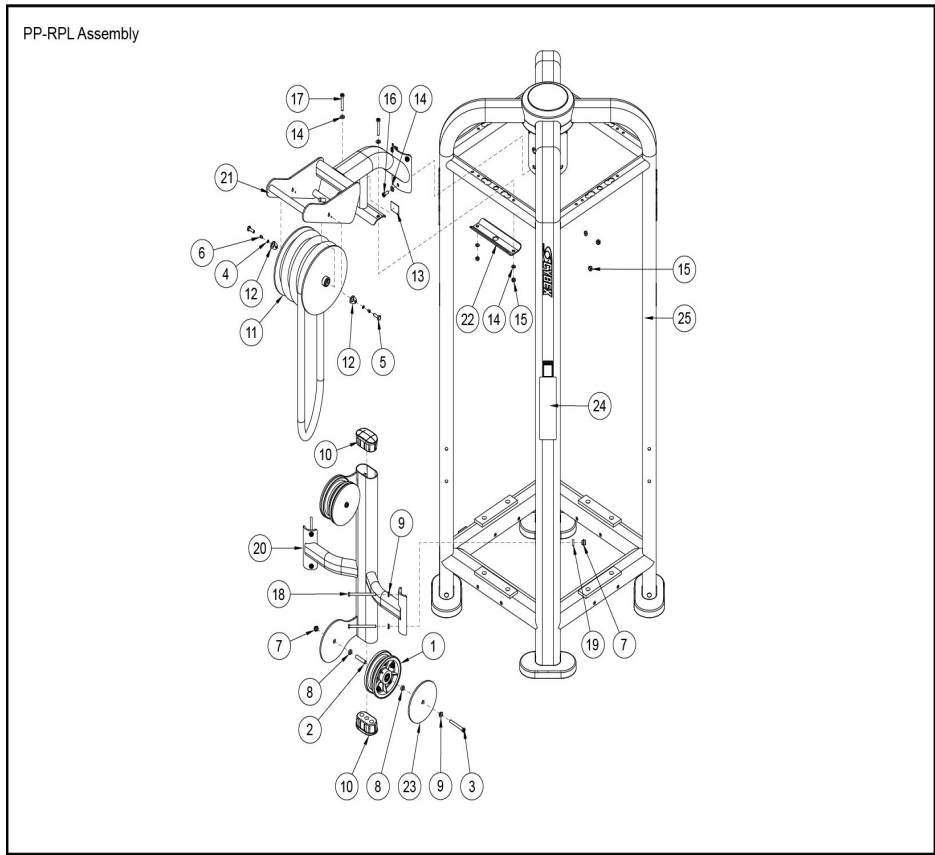
Ref #	Part Number	Qty	Description
1	3273303	7	Hardware: WasherR, 3/8, THRU-HARDENED
2	3236801	5	Hardware: Nut 10 MM ID
3	3236202	3	Hardware: Screw 25MM
4	3236210	2	Hardware: Screw 65MM
5	3236220	4	Hardware: Screw 130MM

PP-CORE Assembly



Ref #	Part Number	Qty	Description
1	9199101	4	FOOT, FXT FLOV - LARGE
2	9169202	4	COVER, LG FOOT -CHR
3	7640402	1	COVER, BOTTOM CAP -CHR
4	3273303	24	Hardware: WasherR, 3/8, THRU-HARDENED
5	3251203	8	Hardware: Screw 30MM
6	3254703	8	Hardware: Nut 10 MM ID
7	7629202	1	COVER, CENTER TOP -CHR
8	7629802	2	COVER, CENTER BOTTOM -CHR
9	3236501	4	Hardware: Nut 0.7" ID
10	1006135-0001	4	LABEL, CYBEX LOGO 10 IN
11	7571301	1	Label Serial Number
12	8343101	1	Tag - Bolt To Floor
13	7646802	8	PLUG, CURVED HOLE -CHR
14	3236202	8	Hardware: Screw 25MM
15	3236801	8	Hardware: Nut 10 MM ID
16	8220001	1	Label, ASTM, Select Vertical - English
17	9141101	4	LABEL, WARNING, STRAP TRAINING -ENG
18	9173101	4	PLATE, FOOT, 9.5 X 4.75
19	1003329-0000	1	WLDMT, MJCORE

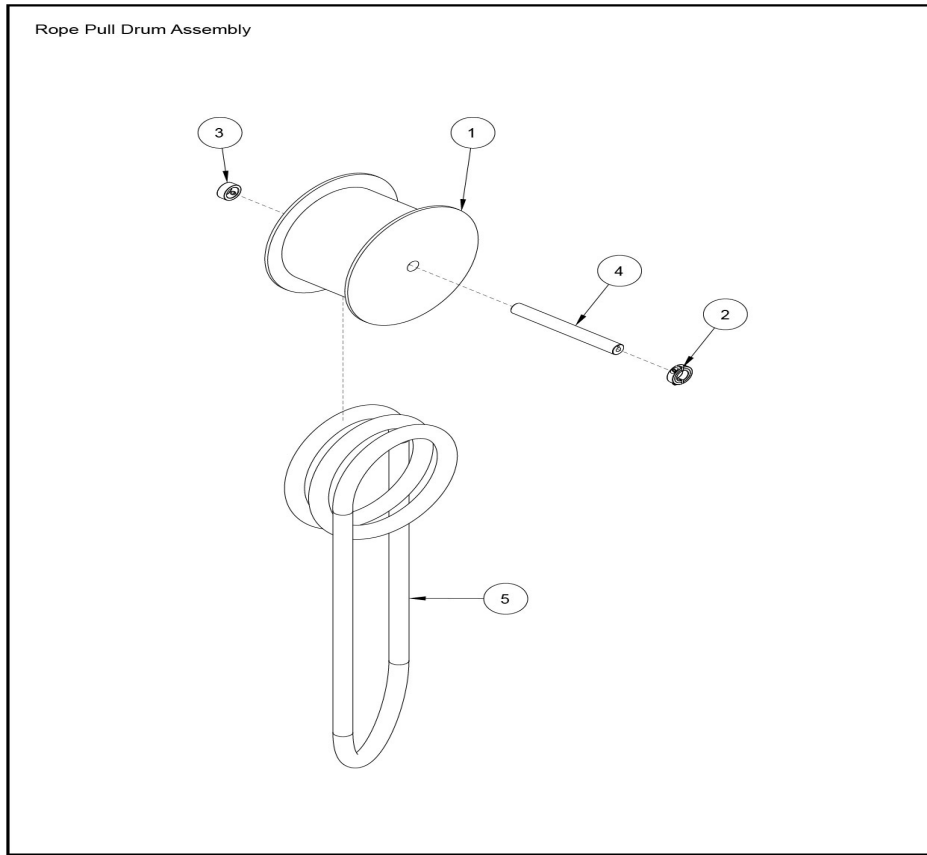
PP-RPL Assembly



Ref #	Part Number	Qty	Description
1	1002264-0001	2	ASSY, PULLEY, ROPE PULL
2	1004369-0001	2	BSHNG, ROPE PULL, PULLEY
3	3236214	2	Hardware: Screw 85MM
4	3264101	2	Hardware: Washer
5	3270507	2	SCREW, M10 X 1.5 - 30MM, HEX HD
6	3277401	2	M6-1.0 X 10 HXS BUT CS ST BZ
7	7335401	6	Hardware: Nut 10 MM ID
8	7385201	4	Spacer .406 X .750 X .250 SS
9	7630101	6	Retainer CM/MJ Pulley
10	7800402	2	CAP, LRG FLOV END
11	9578801	1	ASSY, FXT, ROPE PULL DRUM
12	9579428	2	PLATE, BOLT RETAINER -CHR
13	7571301	1	Label Serial Number
14	3273303	7	Hardware: WasherR, 3/8, THRU-HARDENED
15	3236801	5	Hardware: Nut 10 MM ID
16	3236202	3	Hardware: Screw 25MM
17	3236209	2	Hardware: Screw 60MM
18	3236220	4	Hardware: Screw 130MM
19	7634701	4	Spacer CM/MJ .565 X .815
20	1003648-0000	1	WLDMT, PP-RP, PULLEY FRAME
21	1003649-0000	1	WLDMT, PP-RP, ROPE MOUNT
22	9559401	1	BRKT, SM FLOV

Ref #	Part Number	Qty	Description
23	1003725-0001	2	PLATE, ROPE PULL, LOW-HWG
24	1005005-0001	1	LABEL, PP-RPL, PLACARD -ENG
25	PP-CORE-ASSY	1	ASSY, PP-CORE, COMPONENTS

Rope Pull Drum Assembly



Ref #	Part Number	Qty	Description
1,2,4	9578801	3	ASSY, FXT, ROPE PULL DRUM
3	9579001	1	SHAFT COLLAR, HIPEQ, 1 INCH ID
5	9578901	1	ROPE, FXT, ROPE PULL

