

PWR PLAY LOW ROW

PP-RW

Parts Manual

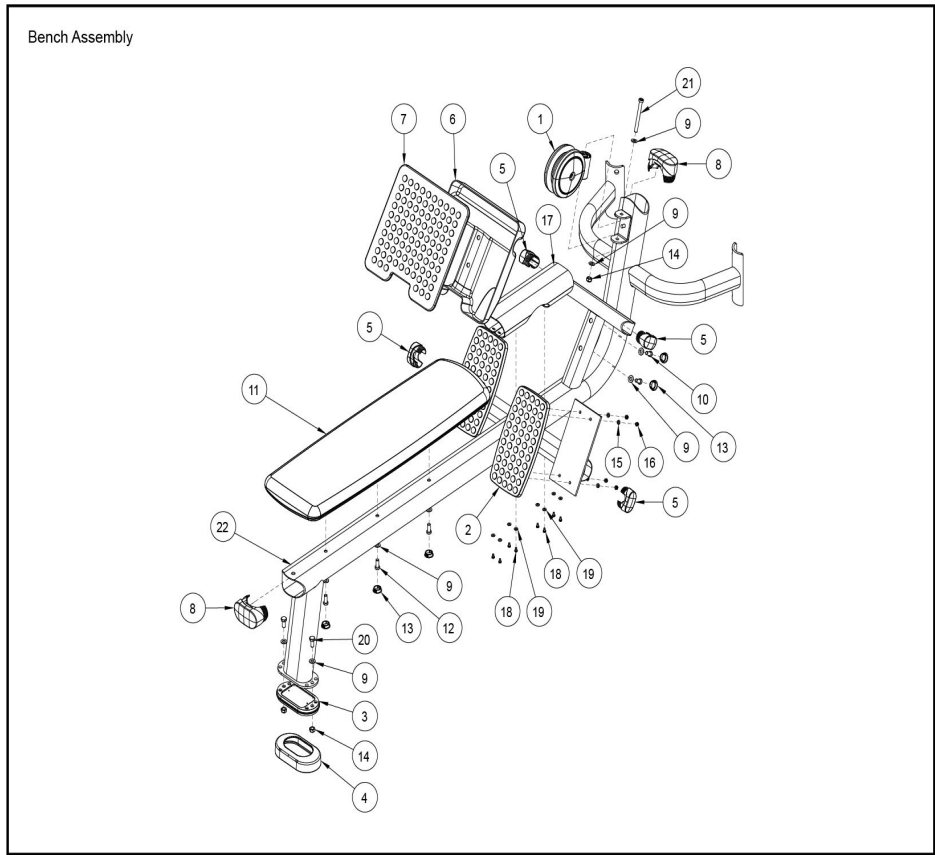
1/5/2019 15:58:40 PM



Table of Contents

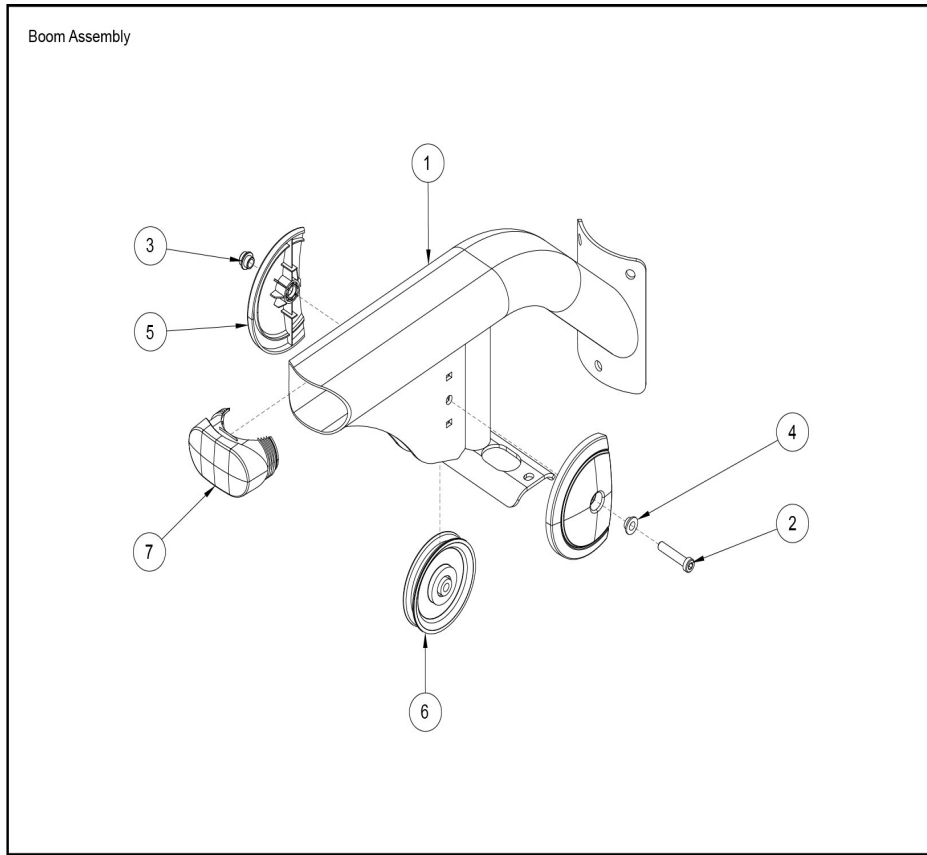
Bench Assembly	3
Boom Assembly	4
Hardware Kit 1	5
Hardware Kit 2	6
Increment Weight Assembly	7
Optional Shrouds	8
PP-CORE Assembly	9
PP-RW Assembly	10
Swivel Pulley Assembly	12
260lb Stack Assembly	13
260lb Weight Stack Assembly	14

Bench Assembly



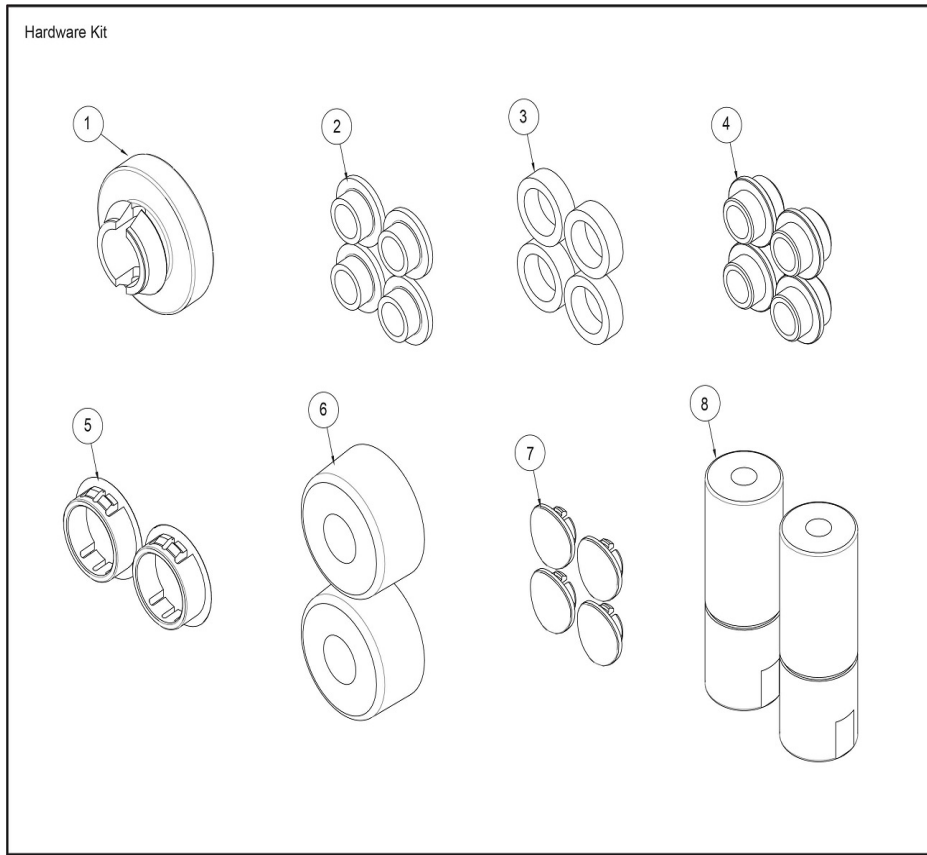
Ref #	Part Number	Qty	Description
1	1005261-0000	1	ASSY, PP-RW, SWIVEL PULLEY
2	7640302	2	FOOT PAD, CM/MJ OVERMOLD
3	7334001	1	Foot 2.50 X 4.49 Flov 10-0074-046 BNR
4	7419702	1	COVER, FOOT, 10 DEG -BLK
5	7333802	4	CAP, SMALL FLOV-END
6	7438202	1	COVER, FZSLLP-STEP
7	7438302	1	STEP PLATE OVERMOLDED
8	7333902	2	CAP, LARGE FLOV-END; CHGR
9	3273303	9	Hardware: WasherR, 3/8, THRU-HARDENED
10	3236201	2	Hardware: Screw 20MM
11	1005265-0000	1	PAD, 36.0 X 11 CONVEX
12	3236202	3	Hardware: Screw 25MM
13	3237407	5	PLUG, 1 IN HOLE
14	3236801	3	Hardware: Nut 10 MM ID
15	3241801	8	Flat Washer 6MM
16	3236802	8	Hardware: Nut 6 MM ID
17	7713601	1	Cover Protective
18	3270601	8	Harware: Screw 3/8"
19	3248101	8	Hardware: Washer
20	3251202	2	Hardware: Screw 25MM
21	3236217	1	Hardware: Screw 100MM
22	8927301	1	Weldment MJRW Bench Swivel Pulley

Boom Assembly



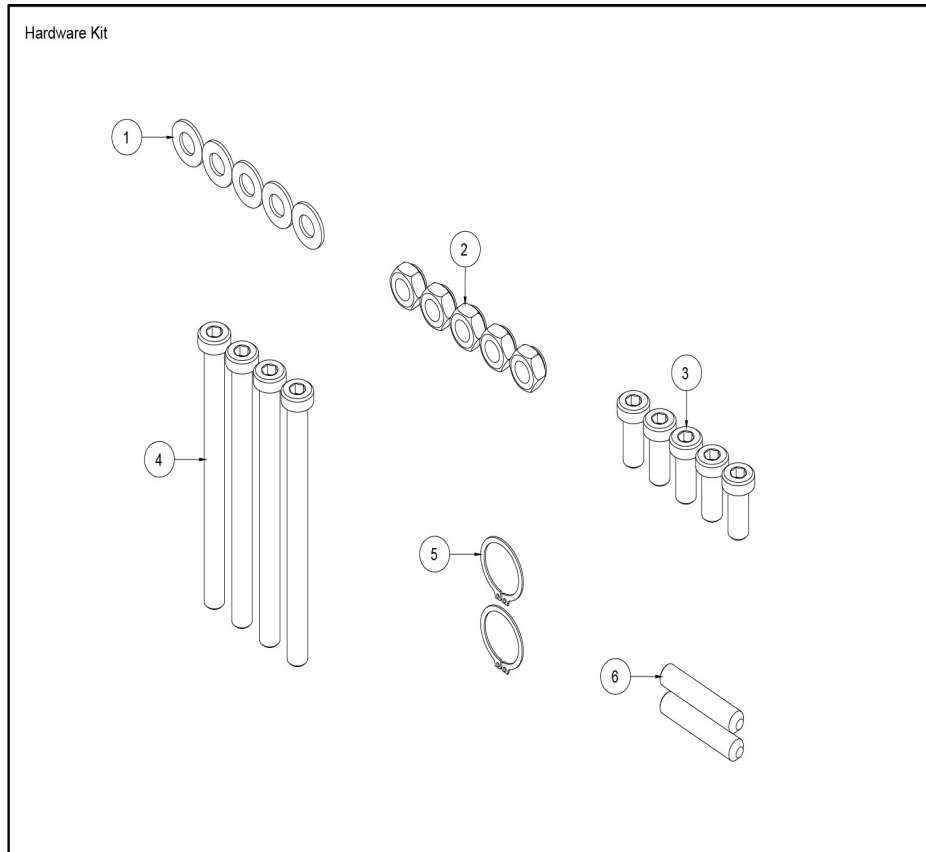
Ref #	Part Number	Qty	Description
1	7637001	1	Weldment MJRW BOOM
2	3236207	1	Hardware: Screw 50MM
3	7335401	1	Hardware: Nut 10 MM ID
4	7630101	1	Retainer CM/MJ Pulley
5	7630002	2	COVER, PULLEY BOLTED PARTIAL
6	3237802	1	PULLEY, 1/4 IN CABLE (T3), 4.5 IN OD
7	7333902	1	CAP, LARGE FLOV-END; CHGR

Hardware Kit 1



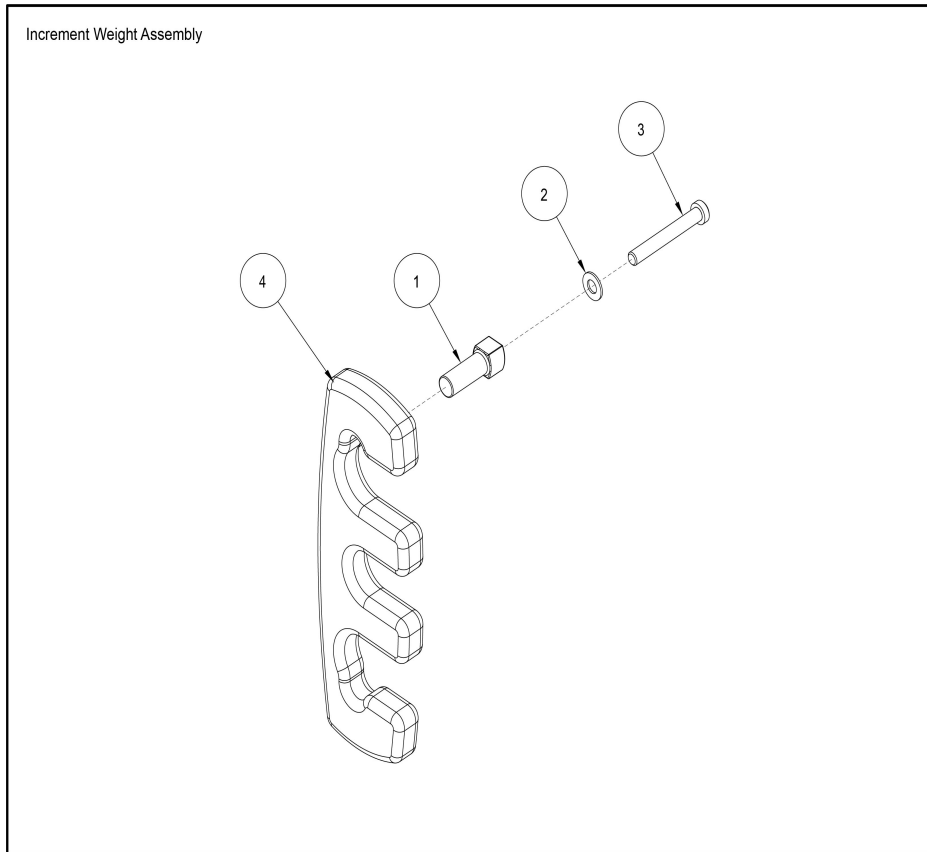
Ref #	Part Number	Qty	Description
1	7642302	1	PLUG, CM/MJ, PLUG -CHR
2	7630101	4	Retainer CM/MJ Pulley
3	7634701	4	Spacer CM/MJ .565 X .815
4	7335401	4	Hardware: Nut 10 MM ID
5	3237407	2	PLUG, 1 IN HOLE
6	7352101	2	Cushion Weight Stack
7	7646802	4	PLUG, CURVED HOLE -CHR
8	7634401	2	Retainer CM/MJ Guide Rod

Hardware Kit 2



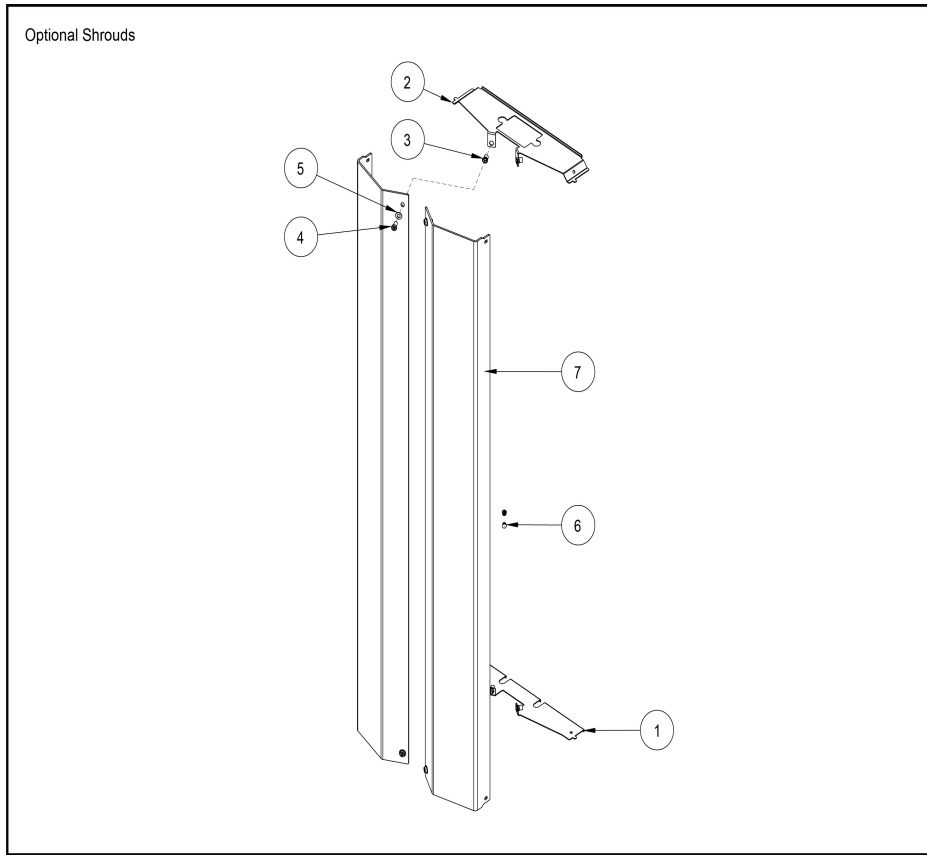
Ref #	Part Number	Qty	Description
1	3273303	5	Hardware: WasherR, 3/8, THRU-HARDENED
2	3236801	5	Hardware: Nut 10 MM ID
3	3236202	5	Hardware: Screw 25MM
4	3236220	4	Hardware: Screw 130MM
5	3232421	2	Retaining Ring 0.940" D
6	3240502	2	Set Screw

Increment Weight Assembly



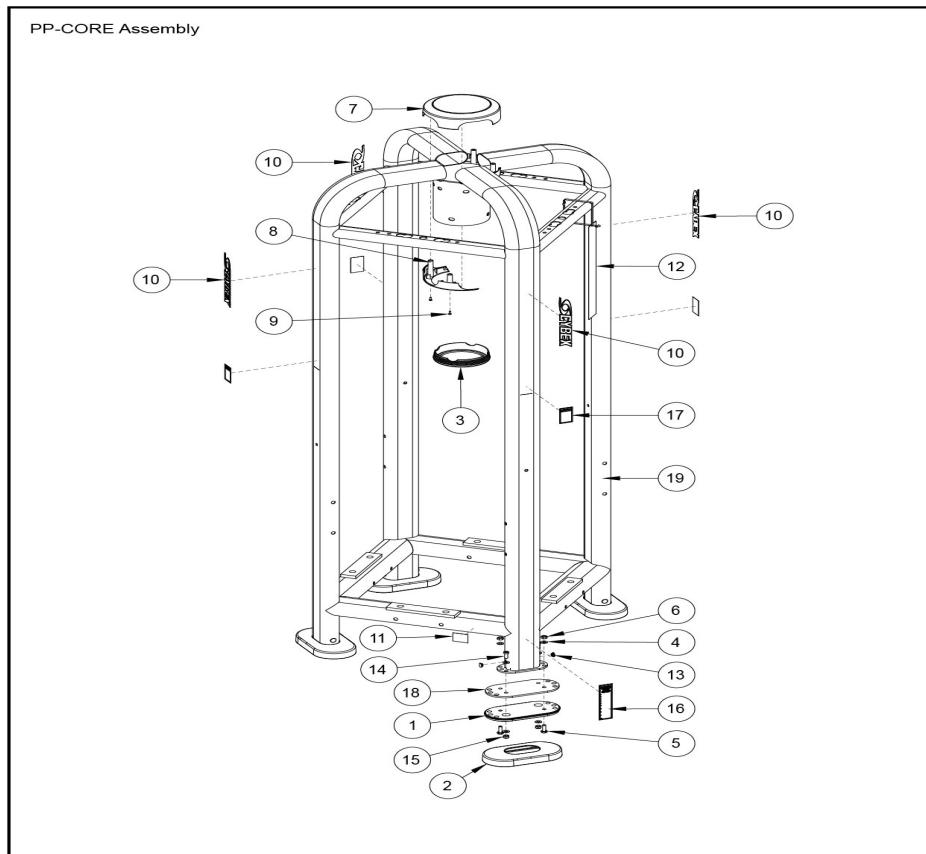
Ref #	Part Number	Qty	Description
1	7401702	1	COVER, PLASTIC PEG 2.25IN -CHR
2	3273303	1	Hardware: WasherR, 3/8, THRU-HARDENED
3	3236212	1	Hardware: Screw 75MM
4	7711502	1	WEIGHT, 5 LB ADD-ON -CHR

Optional Shrouds



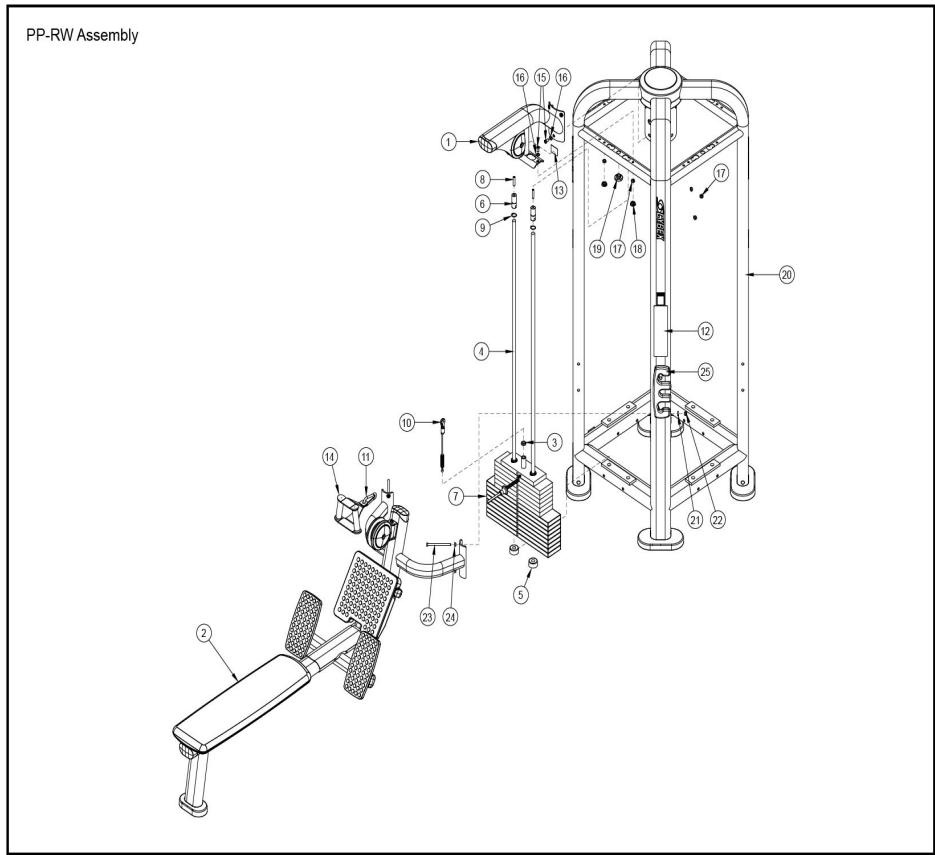
Ref #	Part Number	Qty	Description
1	9035995	1	BRKT, SHROUD, CMDAP, BOTTOM, SG
2	9035701	1	BRKT, SHROUD, CMDAP TOP
3	3238601	4	Blind Thread Insert - 1.5"
4	3236201	4	Hardware: Screw 20MM
5	3102514	4	Hardware: Flat Washer 3/8" ID
6	3237401	2	Plug 7/16" Hole
7	9035801	2	SHROUD, CM/MJ FRONT

PP-CORE Assembly



Ref #	Part Number	Qty	Description
1	9199101	4	FOOT, FXT FLOV - LARGE
2	9169202	4	COVER, LG FOOT -CHR
3	7640402	1	COVER, BOTTOM CAP -CHR
4	3273303	24	Hardware: WasherR, 3/8, THRU-HARDENED
5	3251203	8	Hardware: Screw 30MM
6	3254703	8	Hardware: Nut 10 MM ID
7	7629202	1	COVER, CENTER TOP -CHR
8	7629802	2	COVER, CENTER BOTTOM -CHR
9	3236501	4	Hardware: Nut 0.7" ID
10	1006135-0001	4	LABEL, CYBEX LOGO 10 IN
11	7571301	1	Label Serial Number
12	8343101	1	Tag - Bolt To Floor
13	7646802	8	PLUG, CURVED HOLE -CHR
14	3236202	8	Hardware: Screw 25MM
15	3236801	8	Hardware: Nut 10 MM ID
16	8220001	1	Label, ASTM, Select Vertical - English
17	9141101	4	LABEL, WARNING, STRAP TRAINING -ENG
18	9173101	4	PLATE, FOOT, 9.5 X 4.75
19	1003329-0000	1	WLDMT, MJCORE

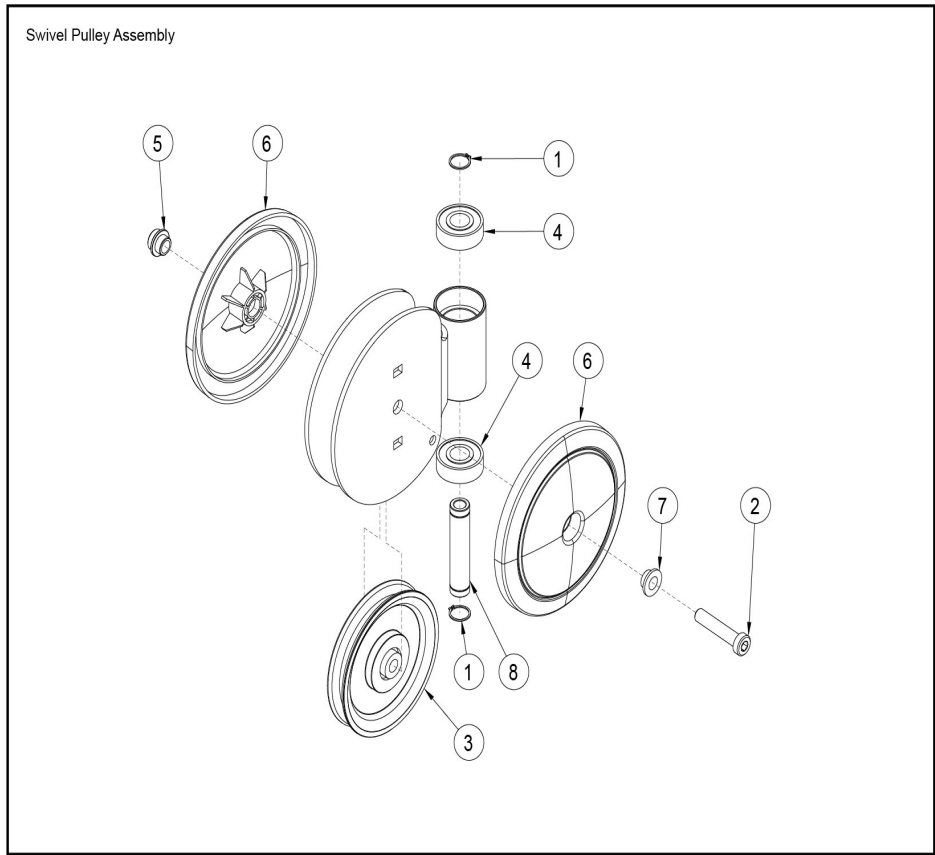
PP-RW Assembly



Ref #	Part Number	Qty	Description
1	1005256-0000	1	ASSY, PP-RW, BOOM
2	1005262-0000	1	ASSY, PP-RW, BENCH
3	3236902	1	Hardware: Nut 16 MM ID
4	7328618	2	Guide Rod .75 OD Solid X 71.50
5	7352101	2	Cushion Weight Stack
6	7634401	2	Retainer CM/MJ Guide Rod
7	1005216-0001	1	ASSY, 260LB STACK
8	3240502	2	Set Screw
9	3232421	2	Reatining Ring 0.940" D
10	1005269-0002	1	CABLE, PP-RW
11	3250201	1	Snap Link 3/8" D
12	1005246-0001	1	LABEL, PP-RW, PLACARD -ENG
13	7571301	1	Label Serial Number
14	1005465-0001	1	ROW HANDLE, SINGLE CABLE
15	3236202	5	Hardware: Screw 25MM
16	3273303	5	Hardware: WasherR, 3/8, THRU-HARDENED
17	3236801	5	Hardware: Nut 10 MM ID
18	3237403	2	Plug 1" Hole
19	7642301	1	Bumper CM/MJ Plug
20	PP-CORE-ASSY	1	ASSY, PP-CORE, COMPONENTS
21	7634701	4	Spacer CM/MJ .565 X .815
22	7335401	4	Hardware: Nut 10 MM ID

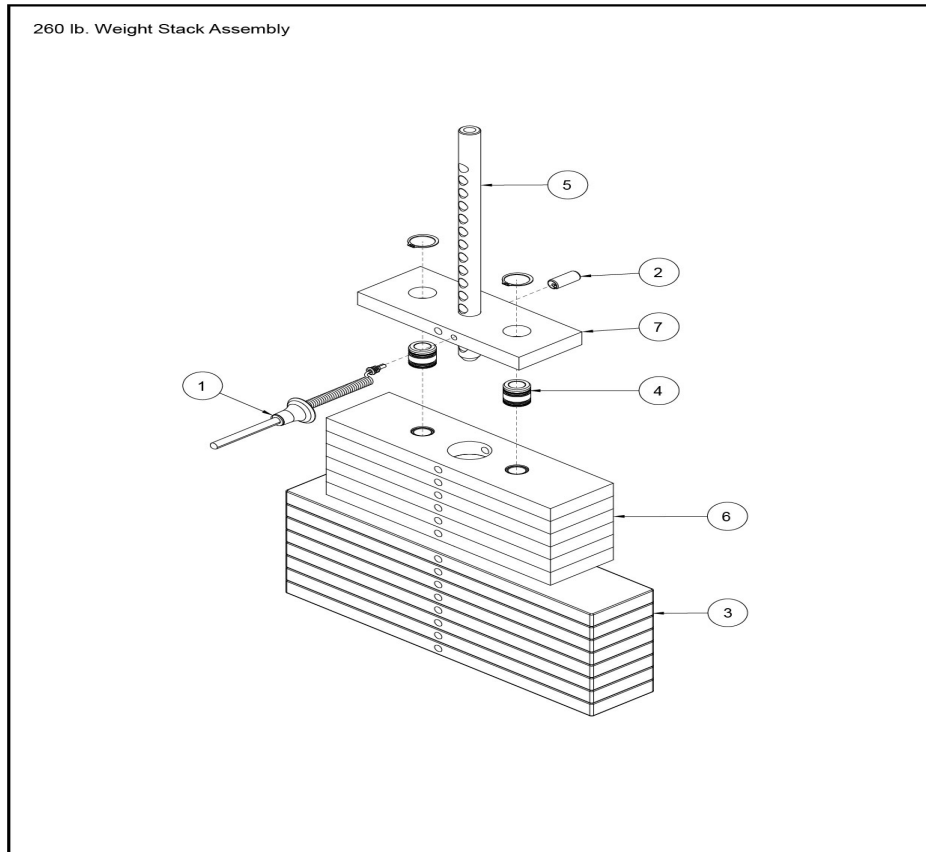
Ref #	Part Number	Qty	Description
23	3236220	4	Hardware: Screw 130MM
24	7630101	4	Retainer CM/MJ Pulley
25	1005352-0001	1	ASSY, INC WGT PEG, LFLOV

Swivel Pulley Assembly



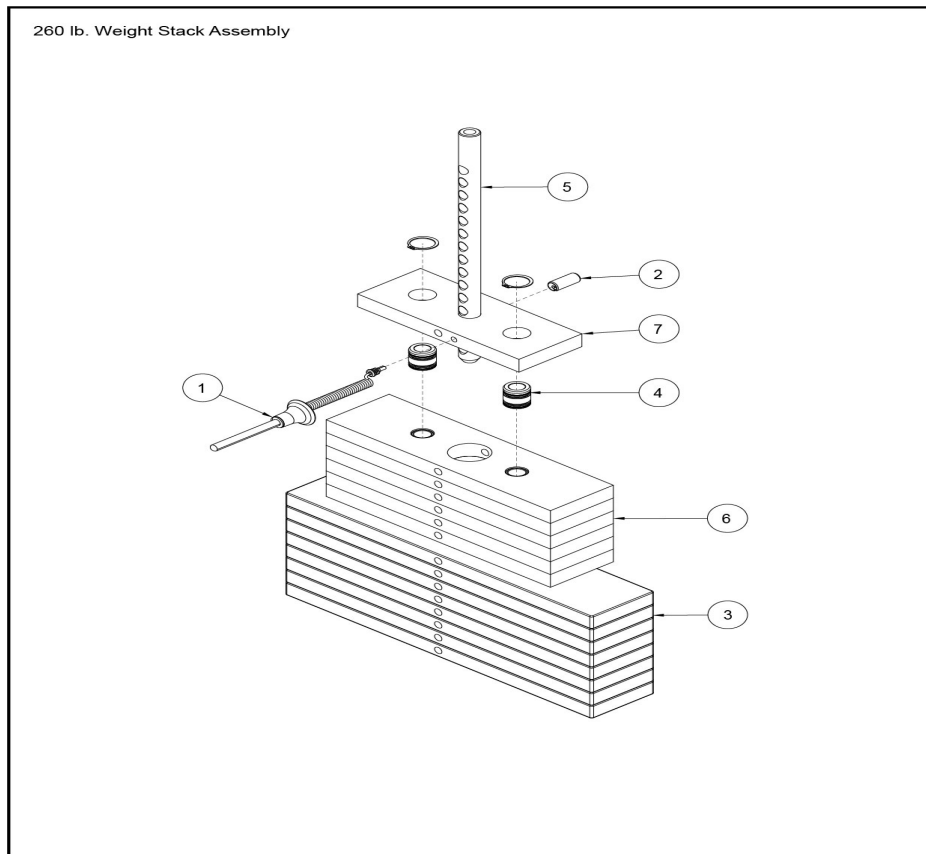
Ref #	Part Number	Qty	Description
1	3232413	2	Retaining Ring 0.631" D
2	3236207	1	Hardware: Screw 50MM
3	3237802	1	PULLEY, 1/4 IN CABLE (T3), 4.5 IN OD
4	3245901	2	Bearing
5	7335401	1	Hardware: Nut 10 MM ID
6	7629902	2	COVER, PULLEY-BOLTED FULL
7	7630101	1	Retainer CM/MJ Pulley
8	7645401	1	Shaft CM/MJ 6203 Bearing

260lb Stack Assembly



Ref #	Part Number	Qty	Description
1	1005176-0001	1	ASSY, SELECTOR PIN
2	3236001	1	SpringPin Bushing
3	7328402	8	WEIGHT PLATE, 20 LB -BLK
4	7338001	2	Bushing Headplate
5	7352601	1	Bayonet 14 Hole PRO2
6	7353802	6	WEIGHT PLATE, 15 LB -BLK
7	7353902	1	HEADPLATE, WT. STACK -BLK

260lb Weight Stack Assembly



Ref #	Part Number	Qty	Description
8	1005541-0001	1	LABEL, WGT STK, 260LB/127KG

