

SCIFIT Premium Seat

PREM-SEAT-01

Parts Manual

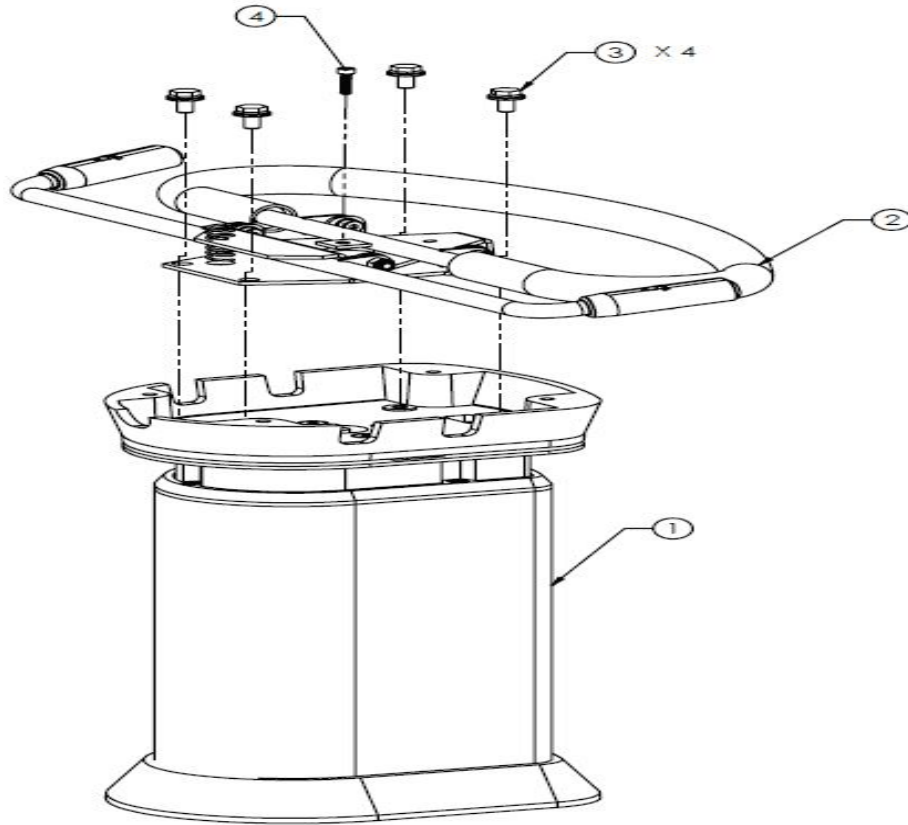
1/17/2019 12:33:30 PM



Table of Contents

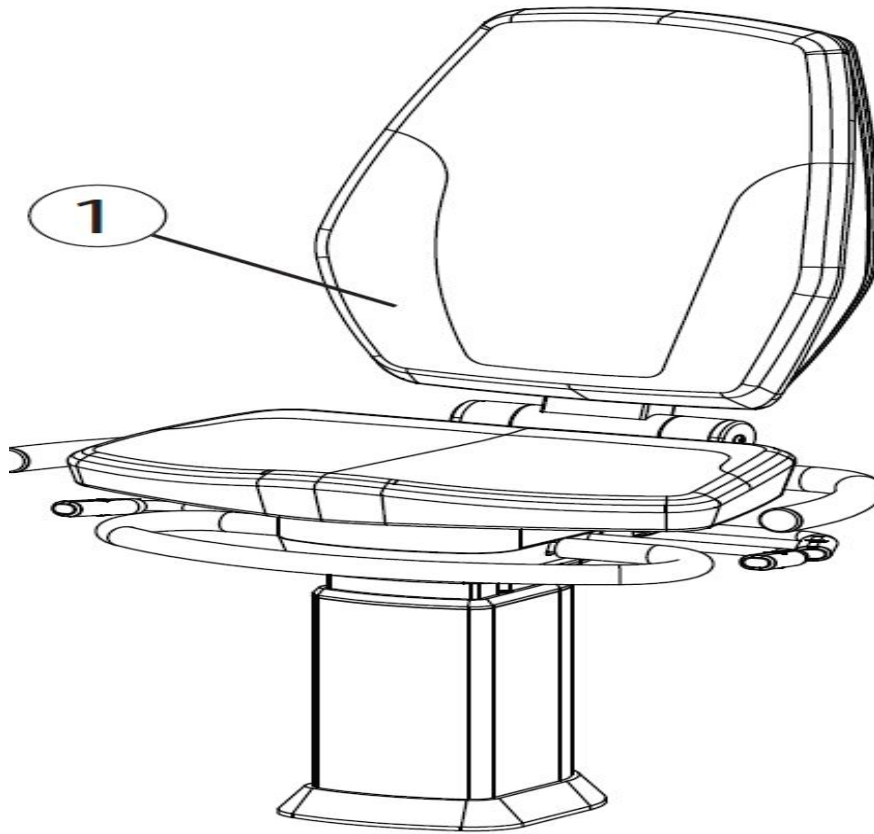
[Premium Seat Lower Area](#).....3
[Premium Seat Post Assembly](#).....4
[Premium Seat Upper Area 1](#).....5
[Premium Seat Upper Area 2](#).....6
[Prem Seat Internal Area](#).....7
[Seat Assembly Premium](#).....8
[Seat Base parts](#).....9
[Seat Base Assembly](#).....10

Premium Seat Lower Area



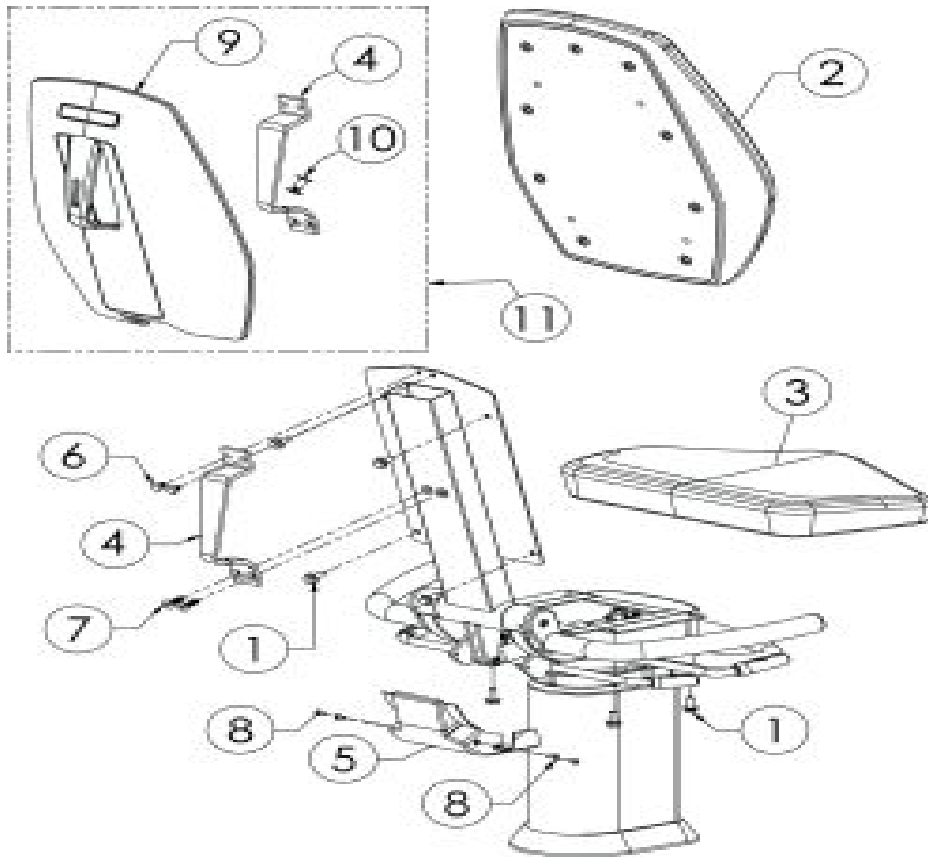
Ref #	Part Number	Qty	Description
1	A5821	1	Assy Upscale Seat Post Verti
2	A5822	1	Assy Vert/Swiv. Adj. Mount
3	19651	4	5/16-18 x 1/2 Zinc FB
4	23166	1	#10-32 x 3/4" Blk Oxd SCS

Premium Seat Post Assembly



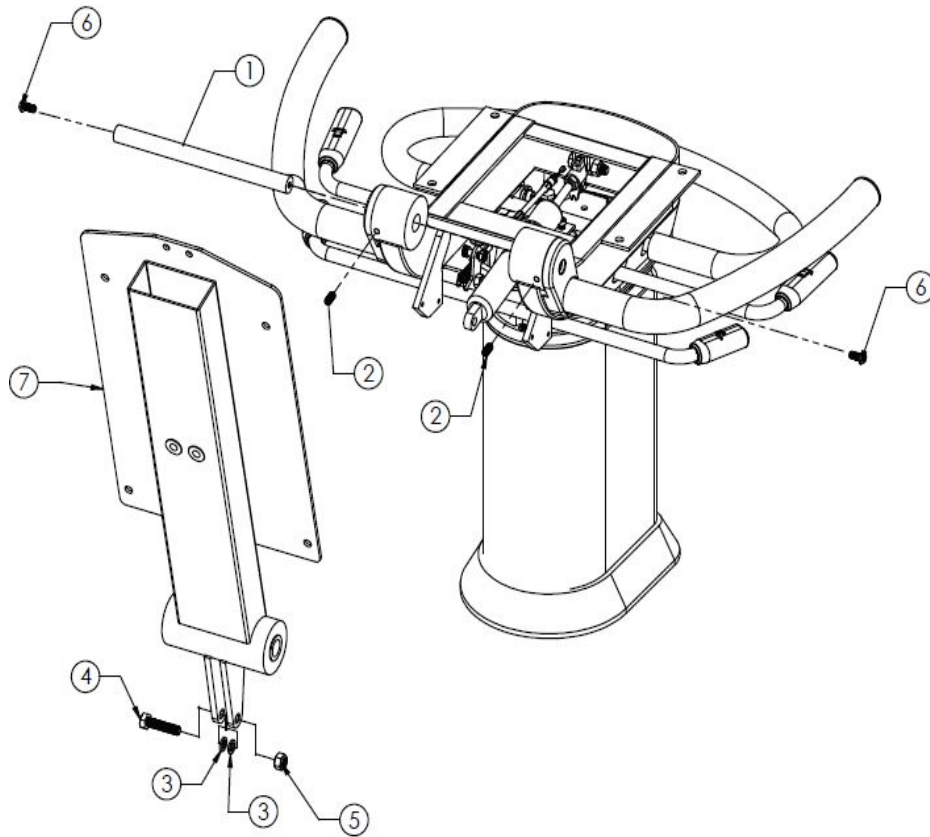
Ref #	Part Number	Qty	Description
1	S6393	1	Kit Prem Post/Seat Assy V3

Premium Seat Upper Area 1



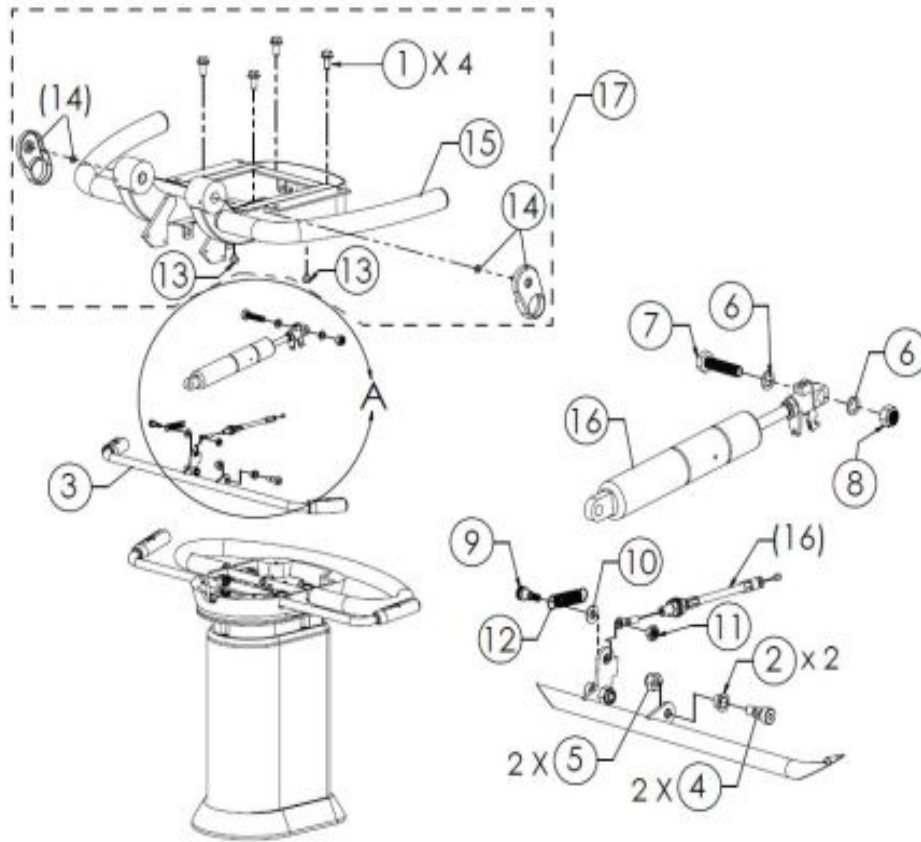
Ref #	Part Number	Qty	Description
1	19653	8	5/16"-18 x 3/4" Flange head hex cap
2	A5769	1	Assy Seat Back Seat System
3	A5768	1	Assy Seat Bttm Comfort Upscale
4	A5844	1	HANDLE BACK SEAT SYSTEM
5	A5760	1	Enclosure Seat Back Pivot A
6	13050	2	Screw 5/16-18x3/8 Zinc Hex Cap
7	94256	2	5/16"-18 x 1" Zinc SCS
8	11253079	4	#10-32 x .375 Phillips Pan Machine Screw Black
9	S6387	1	Kit Seat Back Cover NSS
10	10537-10723	1	KIT:BINDING POST, 3/8" BLK ANOD ALUMINUM
11	S7123	1	ASSY, SEAT BACK CVR, RETROFIT, SEAT SYSTEM

Premium Seat Upper Area 2



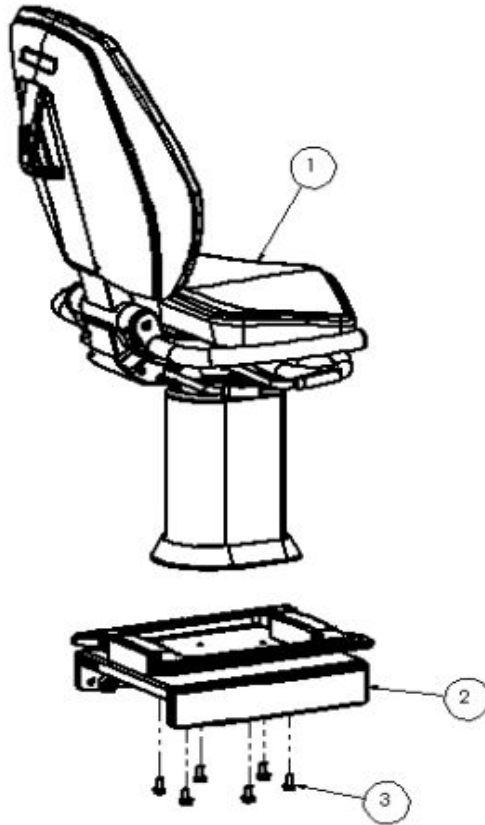
Ref #	Part Number	Qty	Description
1	A5732	1	Seat Tilt Shaft Upscale Seat
2	25400	2	1/4-28 x 1/2 B/O CP Set Screw
3	76062	2	5/16 x 1/16 Thk Nylon F/W
4	0128762	1	SCR:M8-1.25 X 35MM, YELLOW ZINC, HEX CAP
5	40163	1	M8-1.25 DIN 985 Zinc Plated Nylon Insert Lock Nut
6	10537-09111	2	1/4-20 X 1/2 Blk Zinc
7	S6389	1	Kit Prem Seat Back WLDMNT NSS

Prem Seat Internal Area



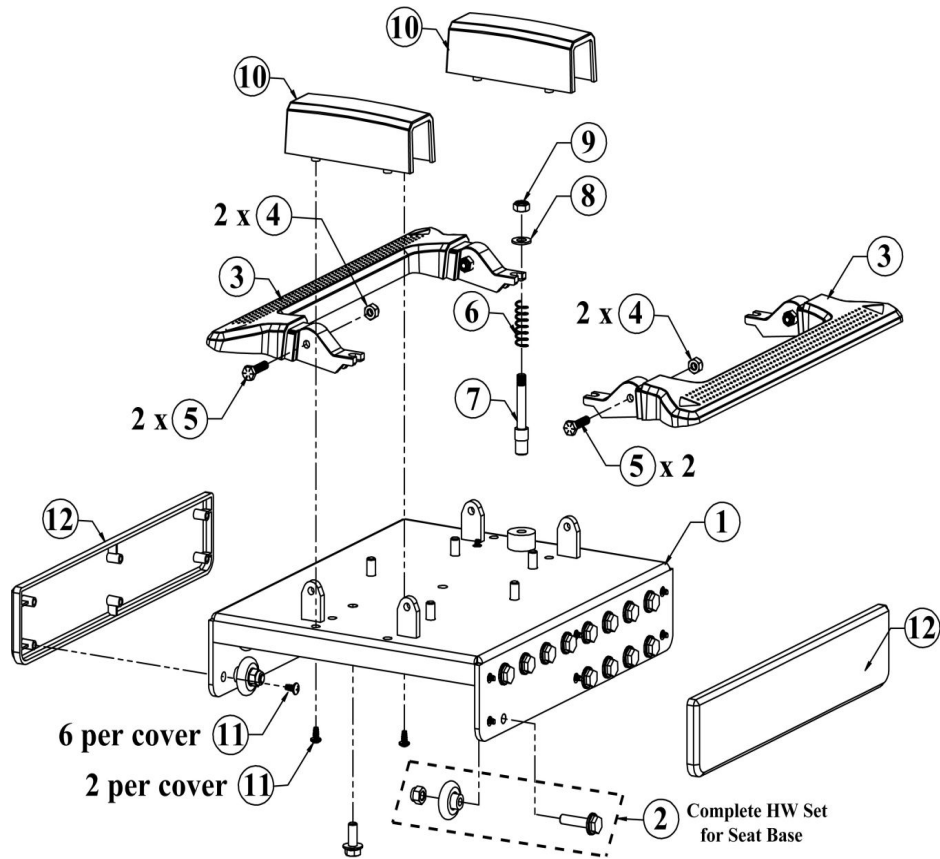
Ref #	Part Number	Qty	Description
1	19653	4	5/16"-18 x 3/4" Flange head hex cap
2	P5730	2	IGUS MFI-0506-04
3	A5834	1	ASSY TILT LEVER W/KNOBS PREMIUM SEAT
4	26190	2	5/16" SHLDR x 5/16" x 1/4"-20 THRD STEEL SHLDR SCREW
5	37018	2	NUT NYLOCK 1/4-20 ZINC
6	76062	2	5/16 x 1/16 Thk Nylon F/W
7	0128762	1	SCR:M8-1.25 X 35MM, YELLOW ZINC, HEX CAP
8	40163	1	M8-1.25 DIN 985 Zinc Plated Nylon Insert Lock Nut
9	26300	1	1/4x1/4 10-24 Shoulder Bolt
10	33074	1	#10 Zinc F/W
11	37175	1	#10-24 Zinc Nylock Nut
12	P6354	1	Tilt Lever ADJ Helper Spring
13	P5922	2	KIT:BUMPER, VERTICAL ADJ, SEAT SYSTEM
14	S6084	1	Kit Pivot Cap Prem Retro
16	S6391	1	Kit Gas Shock/Tilt Cable NSS
17	S6390	1	Kit Prem Seat WLDMNT NSS

Seat Assembly Premium



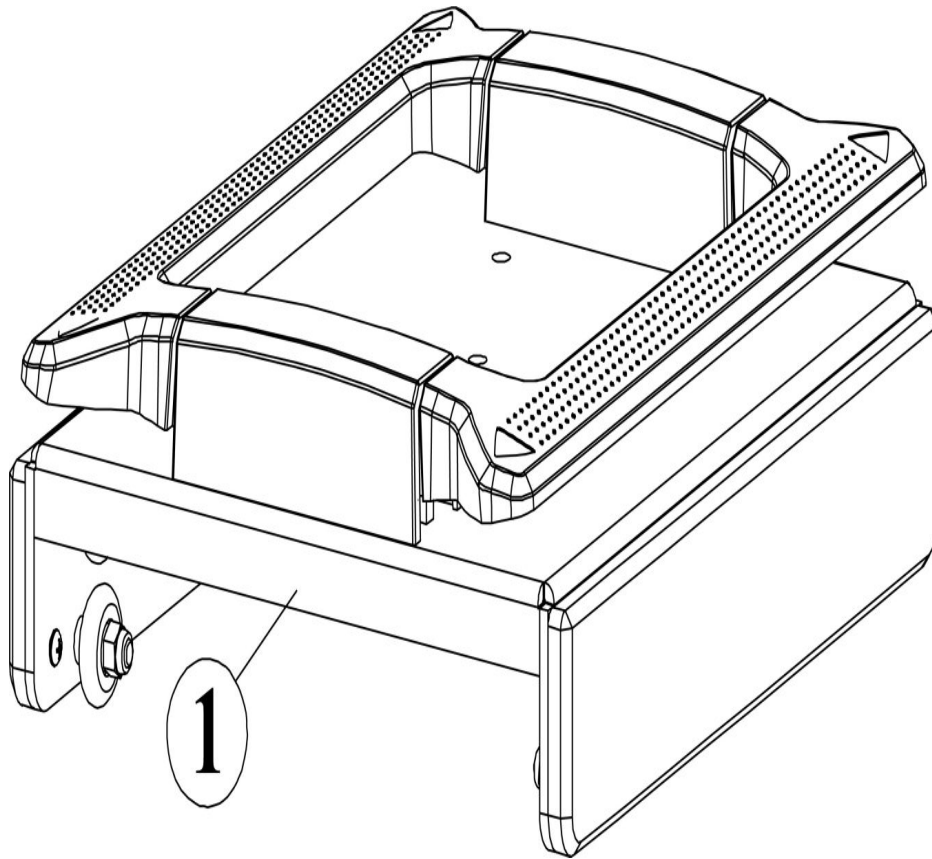
Ref #	Part Number	Qty	Description
1	S6393	1	Kit Prem Post/Seat Assy V3
2	A6324	1	Kit Seat Base Assy Step1 NSS
3	19653	6	5/16"-18 x 3/4" Flange head hex cap
-	PREM-SEAT-01	1	SCIFIT Premium Seat

Seat Base parts



Ref #	Part Number	Qty	Description
1	A5736	1	WLDMT SEAT CARRIAGE
2	S6396	1	Kit, HW/Rollers, Seat Base,NSS
3	A5741	2	FOOT LEVER SEAT SYSTEM
4	37018	4	NUT NYLOCK 1/4-20 ZINC
5	13006	4	1/4"-20 x 1-1/8" Zinc Finish SAE J429 Grade 5 Hex Cap Screw
6	P1423	1	Spring Pin Seat Extended P
7	A5739	1	Pin Seatbase Seat System
8	33080	1	5/16" Zinc F/W
9	37023	1	5/16"-18 Zinc Finish NTE Grade 2 Jam Nylon Insert Lock Nut
10	A5745	2	FOOT LEVER ENCLOSURE SEAT BASE
11	0142879	20	SCR:SCREW, 10 X 3/8 PHP ZINC
12	A5744	2	Bolt Encolsure Seat Base

Seat Base Assembly



Ref #	Part Number	Qty	Description
1	A6324	1	Kit Seat Base Assy Step1 NSS

