

# SCIFIT PRO1

PRO101-INT

## Parts Manual

1/17/2019 12:24:47 PM

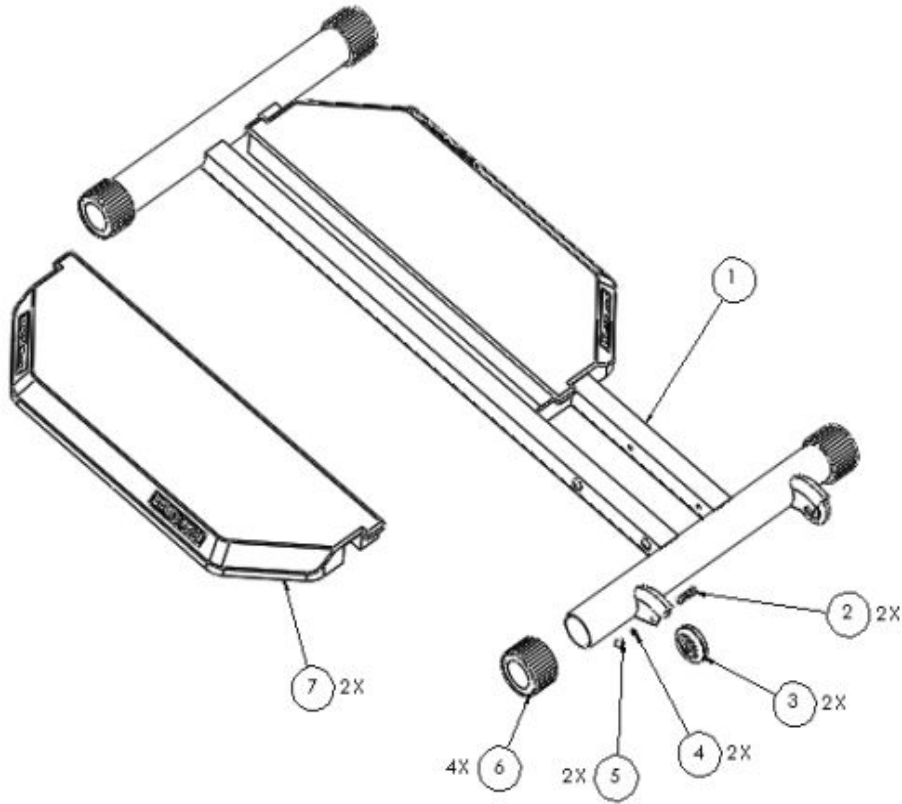


**Table of Contents**

---

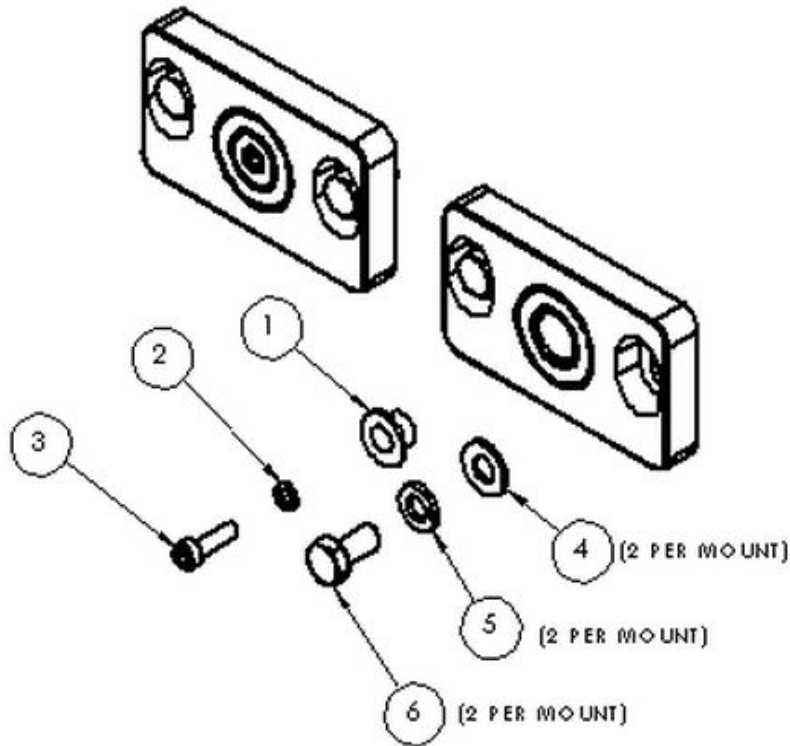
|   |                    |
|---|--------------------|
| <a href="#">Base Assembly PRO1 Sport.....</a>                   | <a href="#">3</a>  |
| <a href="#">Bearing Mount Bi Directional Assembly.....</a>      | <a href="#">4</a>  |
| <a href="#">Bearing Mount Jack Shaft Assembly.....</a>          | <a href="#">5</a>  |
| <a href="#">Bracket Support Console.....</a>                    | <a href="#">6</a>  |
| <a href="#">Brake Assembly PRO1.....</a>                        | <a href="#">7</a>  |
| <a href="#">Cable Pull Assembly PRO1.....</a>                   | <a href="#">8</a>  |
| <a href="#">Chain 40 Long Assembly PRO1.....</a>                | <a href="#">9</a>  |
| <a href="#">Chain 40 Short Assembly PRO1.....</a>               | <a href="#">10</a> |
| <a href="#">Covers Assembly Charcoal PRO1.....</a>              | <a href="#">11</a> |
| <a href="#">Crank Adjustable Left Assembly PRO1.....</a>        | <a href="#">12</a> |
| <a href="#">Crank Adjustable Right Assembly PRO1.....</a>       | <a href="#">13</a> |
| <a href="#">Gas Shock Assembly PRO1.....</a>                    | <a href="#">14</a> |
| <a href="#">Handle Crank Standard Gray Assembly PRO.....</a>    | <a href="#">15</a> |
| <a href="#">Idler Assembly PRO1.....</a>                        | <a href="#">16</a> |
| <a href="#">Spindle Bearing Drive Assembly.....</a>             | <a href="#">17</a> |
| <a href="#">Spindle Sprocket Assembly PRO1.....</a>             | <a href="#">18</a> |
| <a href="#">Sprocket 40 Bi Directional Assembly PRO1.....</a>   | <a href="#">19</a> |
| <a href="#">Sprocket 40 Jackshaft Pulley Assembly PRO1.....</a> | <a href="#">20</a> |
| <a href="#">Wiring PRO101-INT Post 5-2013.....</a>              | <a href="#">21</a> |
| <a href="#">Wiring PRO101-INT Pre 5-2013.....</a>               | <a href="#">22</a> |

## Base Assembly PRO1 Sport



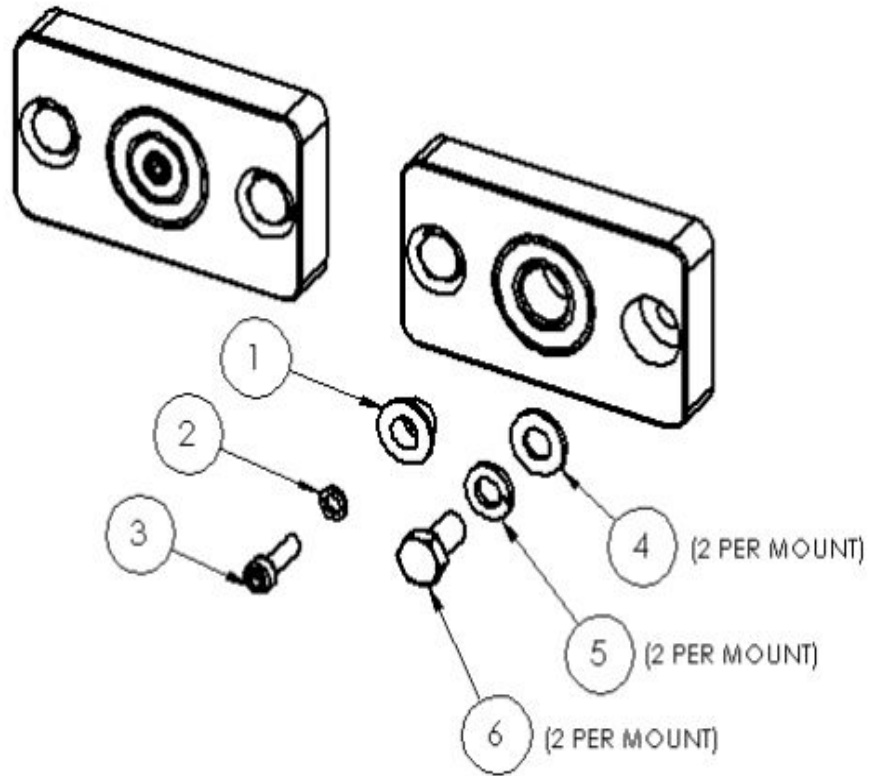
| Ref # | Part Number | Qty | Description                    |
|-------|-------------|-----|--------------------------------|
| 1     | A2740-CH    | 1   | Frame Base PRO1 Sport Charcoal |
| 2     | 73783       | 2   | 5/16"-18 x 1-3/4" Stnlss BSCS  |
| 3     | P2144       | 2   | Wheel Front PRO II             |
| 4     | 33892       | 2   | 5/16" Yellow Zinc Split L/W    |
| 5     | 70961       | 2   | 5/16"-18 Stnlss Stl Acorn Nut  |
| 6     | A1890       | 4   | Cap Base 3" Adj. 65 Durometer  |
| 7     | S4982       | 2   | Kit,Platform for R or L side w |

## Bearing Mount Bi Directional Assembly



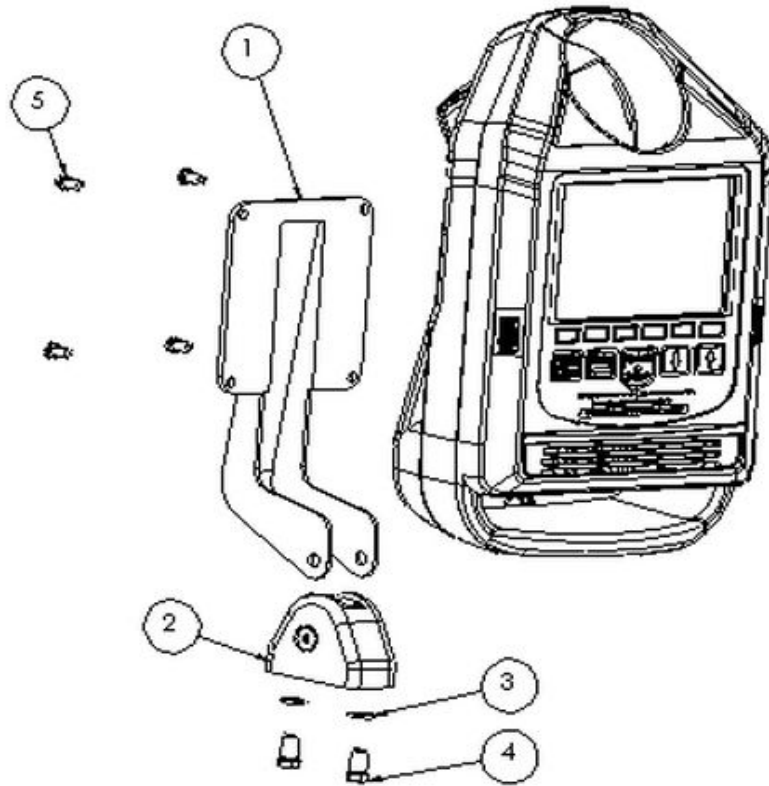
| Ref # | Part Number | Qty | Description                   |
|-------|-------------|-----|-------------------------------|
| 1     | A1972       | 2   | Washer Retain. Bearing Recess |
| 2     | 33614       | 2   | #10 Zinc Split L/W            |
| 3     | 93165       | 2   | #10-32 x 5/8" Zinc SCS        |
| 4     | 33080       | 4   | 5/16" Zinc F/W                |
| 5     | 33892       | 4   | 5/16" Yellow Zinc Split L/W   |
| 6     | 13052       | 4   | 5/16"-18 x 5/8" Zinc HCS      |
| -     | S4748       | 1   | Kit (1pr.) Bearing Mount Bi-  |

## Bearing Mount Jack Shaft Assembly



| Ref # | Part Number | Qty | Description                   |
|-------|-------------|-----|-------------------------------|
| 1     | A1972       | 2   | Washer Retain. Bearing Recess |
| 2     | 33614       | 2   | #10 Zinc Split L/W            |
| 3     | 93165       | 2   | #10-32 x 5/8" Zinc SCS        |
| 4     | 33080       | 4   | 5/16" Zinc F/W                |
| 5     | 33892       | 4   | 5/16" Yellow Zinc Split L/W   |
| 6     | 13052       | 4   | 5/16"-18 x 5/8" Zinc HCS      |
| -     | S4747       | 1   | Kit (1 pr) Bearing Mount Jac  |

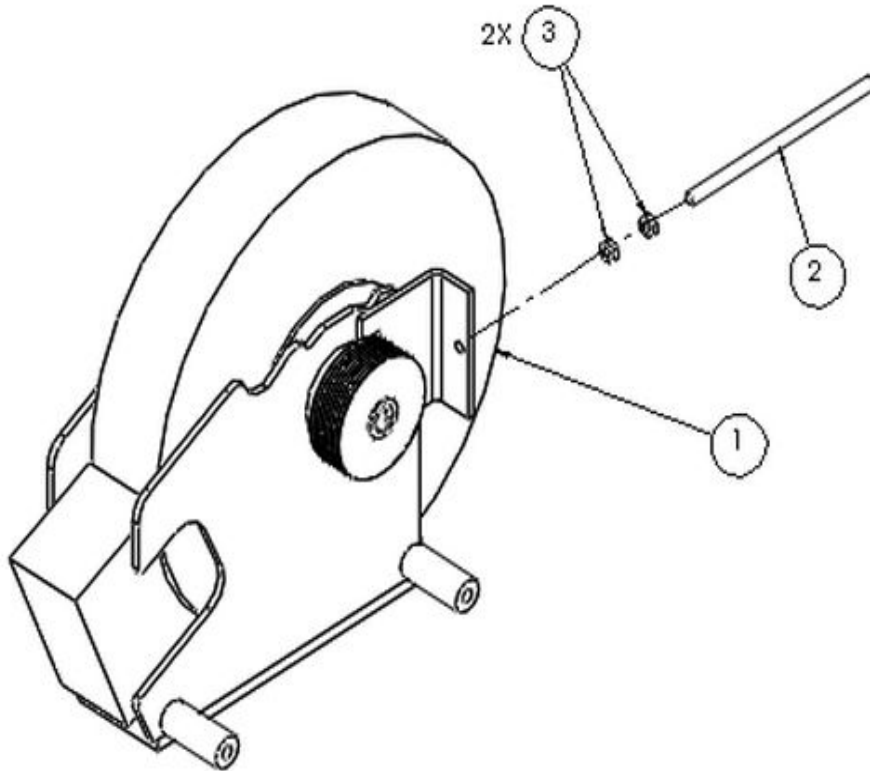
# Bracket Support Console



| Ref # | Part Number | Qty | Description                     |
|-------|-------------|-----|---------------------------------|
| 1     | A4659       | 1   | DISPLAY ADJ PRO LCD V2          |
| 2     | S5791       | 1   | Kit Quadrant W/HW Post 4/13 PR  |
| 3     | 33892       | 2   | 5/16" Yellow Zinc Split L/W     |
| 4     | 13052       | 2   | 5/16"-18 x 5/8" Zinc HCS        |
| 5     | 10537-09060 | 4   | Screw M5 x 12mm Phil Black Zinc |

# Brake Assembly PRO1

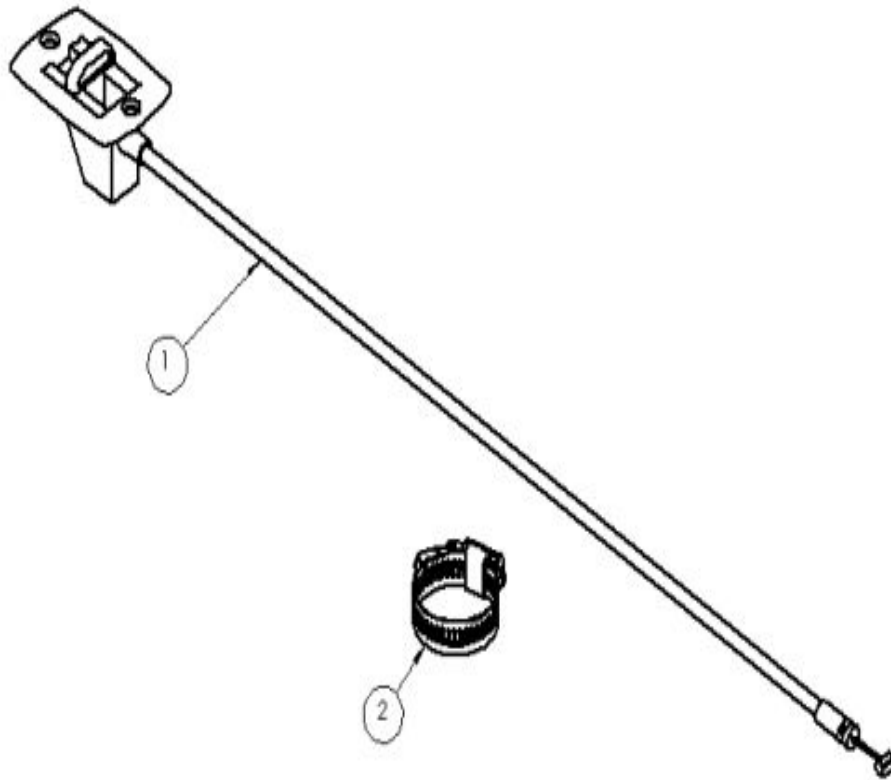
---



| Ref # | Part Number | Qty | Description                      |
|-------|-------------|-----|----------------------------------|
| 1     | S1906       | 1   | Kit Brake w/60mm Pulley Bikes    |
| 2     | P2520       | 1   | Rod Tensioning 5" #10-32 UNF THD |
| 3     | 36030       | 2   | 10-32 Zinc Machine Screw Nut     |

# Cable Pull Assembly PRO1

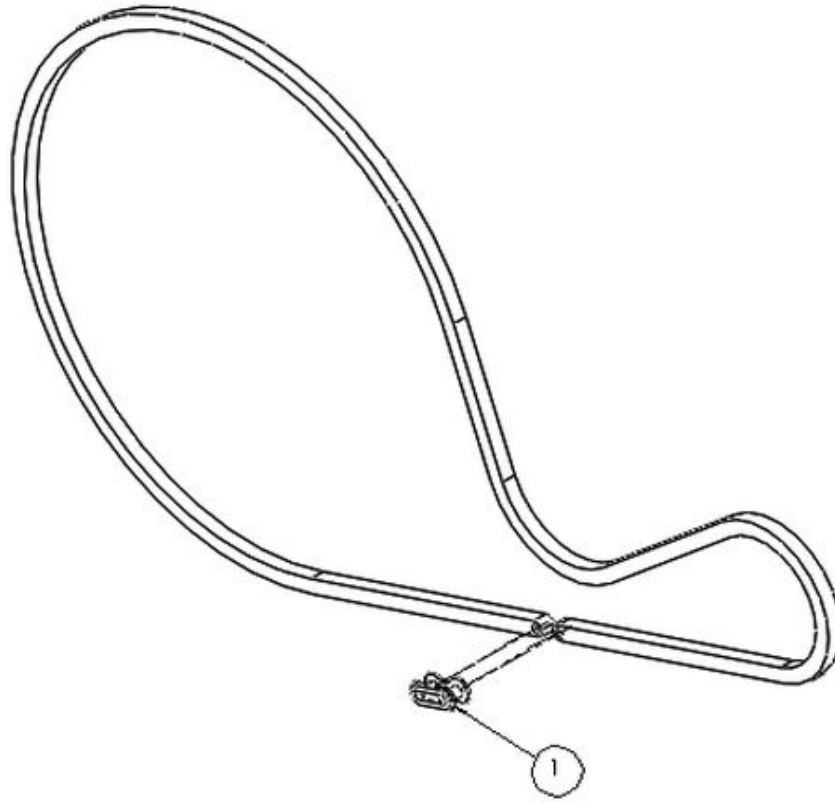
---



| Ref # | Part Number | Qty | Description                           |
|-------|-------------|-----|---------------------------------------|
| 1     | P2039       | 1   | Actuator Pull Cable Assy.             |
| 2     | 0427612     | 1   | KIT:CLAMP, HOSE, 20 3/4" X 1 3/4 WIDE |
| -     | S4464       | 1   | KIT ACTUATOR PULL CBL/HOSE CLA        |

## Chain 40 Long Assembly PRO1

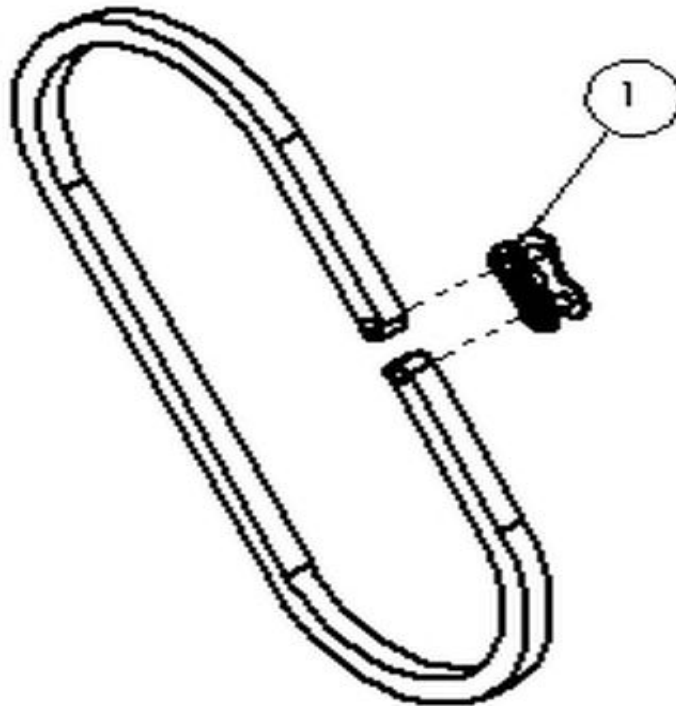
---



| Ref # | Part Number | Qty | Description                    |
|-------|-------------|-----|--------------------------------|
| 1     | P2379       | 1   | Link master chain #40          |
| -     | A3119       | 1   | Kit Chain Long #40 86P ISO7000 |

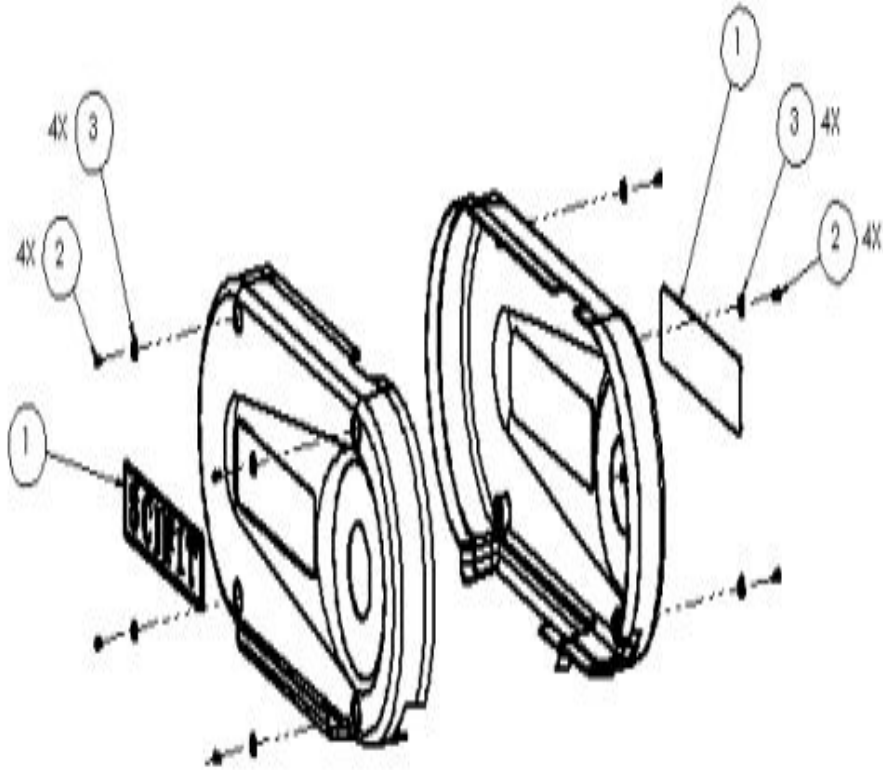
## Chain 40 Short Assembly PRO1

---



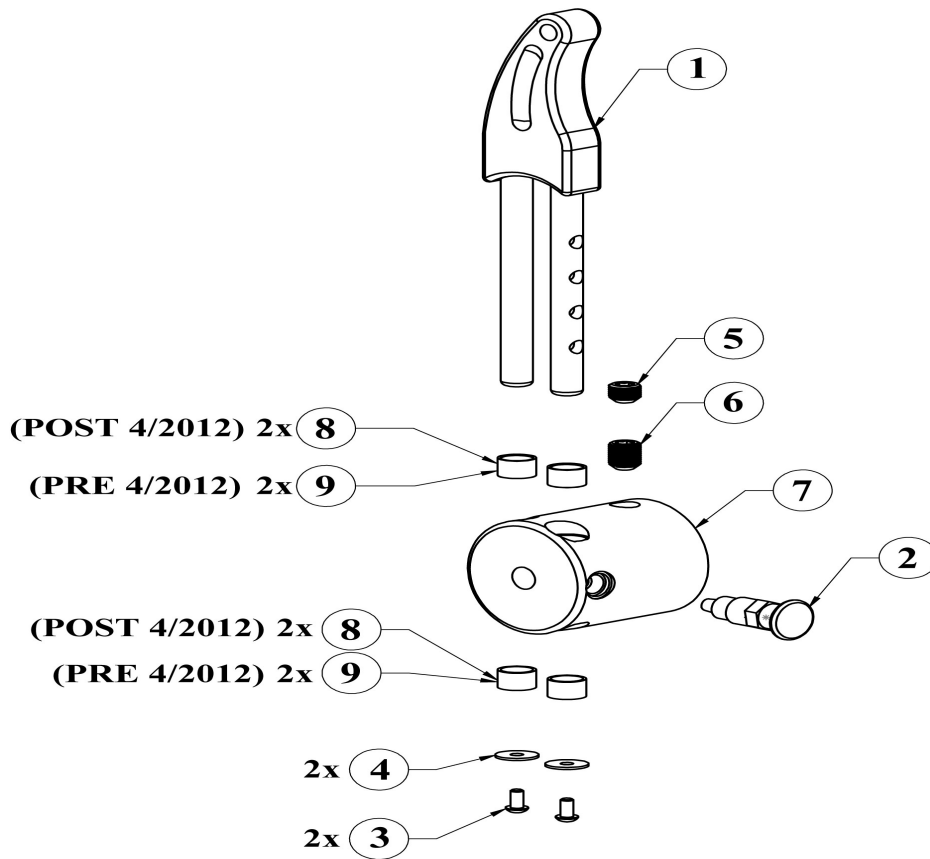
| Ref # | Part Number | Qty | Description                    |
|-------|-------------|-----|--------------------------------|
| 1     | P2379       | 1   | Link master chain #40          |
| -     | A3120       | 1   | Kit #40 Chain Short 32P ISO RE |

## Covers Assembly Charcoal PRO1



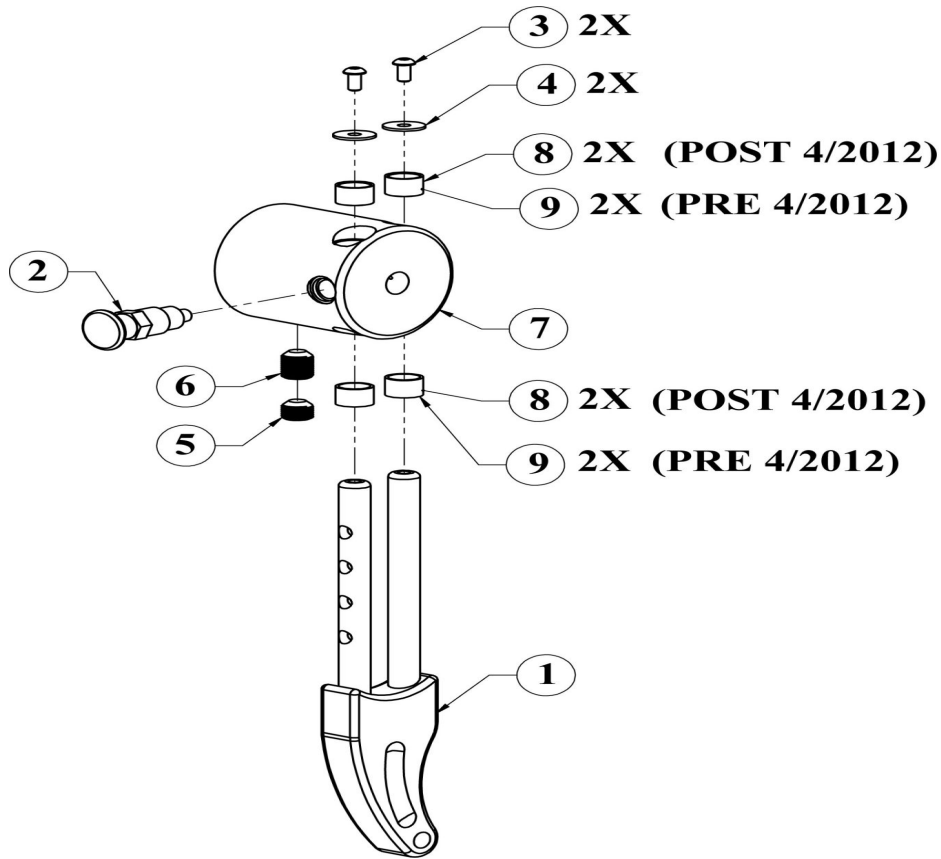
| Ref # | Part Number | Qty | Description                                    |
|-------|-------------|-----|--|
| 1     | P1100       | 2   | DECAL SCIFIT 2.75 X 12                         |
| 2     | 11253079    | 8   | #10-32 x .375 Phillips Pan Machine Screw Black |
| 3     | P1921       | 8   | Washer cover plastic                           |
| -     | S5786       | 1   | Kit PRO1 Covers LH/RH Smooth                   |

# Crank Adjustable Left Assembly PRO1



| Ref # | Part Number | Qty | Description                              |
|-------|-------------|-----|--|
| 1     | A3086       | 1   | Crank Upper Left Extended Assy           |
| 2     | A5380       | 1   | Assy Pop-Pin Hub Flange Knob             |
| 3     | 94049       | 2   | 1/4"-20 x 1/2" Zinc BSCS                 |
| 4     | 10537-08370 | 2   | .25 ID x .835 OD F/W                     |
| 5     | P3110       | 1   | Screw Set Socket Point Flat 5/8-18 x .5  |
| 6     | P3111       | 1   | Screw Set Socket Point Flat 5/8-18 x .75 |
| 7     | A3781       | 1   | Assy. Hub Crank PRO Upper                |
| 8     | P5174       | 4   | Bushing IGUS Hub MSI-1012-08 P           |
| 9     | P1756       | 1   | Bearing Igus rod handcrank               |
| -     | SB3253      | 1   | Kit,Crank,Extended,UB,Left               |

# Crank Adjustable Right Assembly PRO1



| Ref # | Part Number | Qty | Description                              |
|-------|-------------|-----|--|
| 1     | A3085       | 1   | Crank Upper Right Extended Ass           |
| 2     | A5380       | 1   | Assy Pop-Pin Hub Flange Knob             |
| 3     | 94049       | 2   | 1/4"-20 x 1/2" Zinc BSCS                 |
| 4     | 10537-08370 | 2   | .25 ID x .835 OD F/W                     |
| 5     | P3110       | 1   | Screw Set Socket Point Flat 5/8-18 x .5  |
| 6     | P3111       | 1   | Screw Set Socket Point Flat 5/8-18 x .75 |
| 7     | A3781       | 1   | Assy. Hub Crank PRO Upper                |
| 8     | P5174       | 4   | Bushing IGUS Hub MSI-1012-08 P           |
| 9     | P1756       | 1   | Bearing Igus rod handcrank               |
| -     | SB3161      | 1   | Kit,Crank,Extended,UB,PRO1,Rig           |

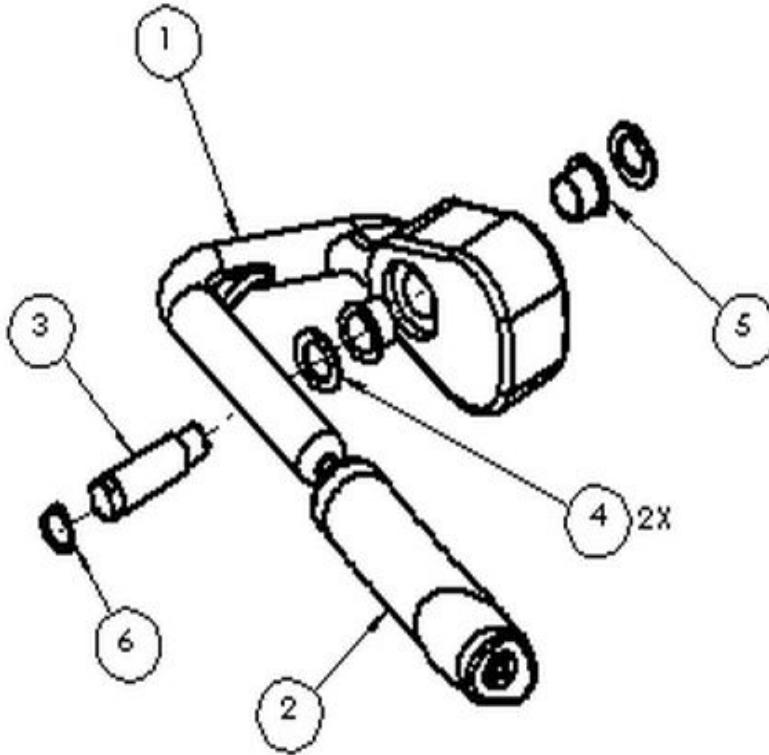
## Gas Shock Assembly PRO1

---



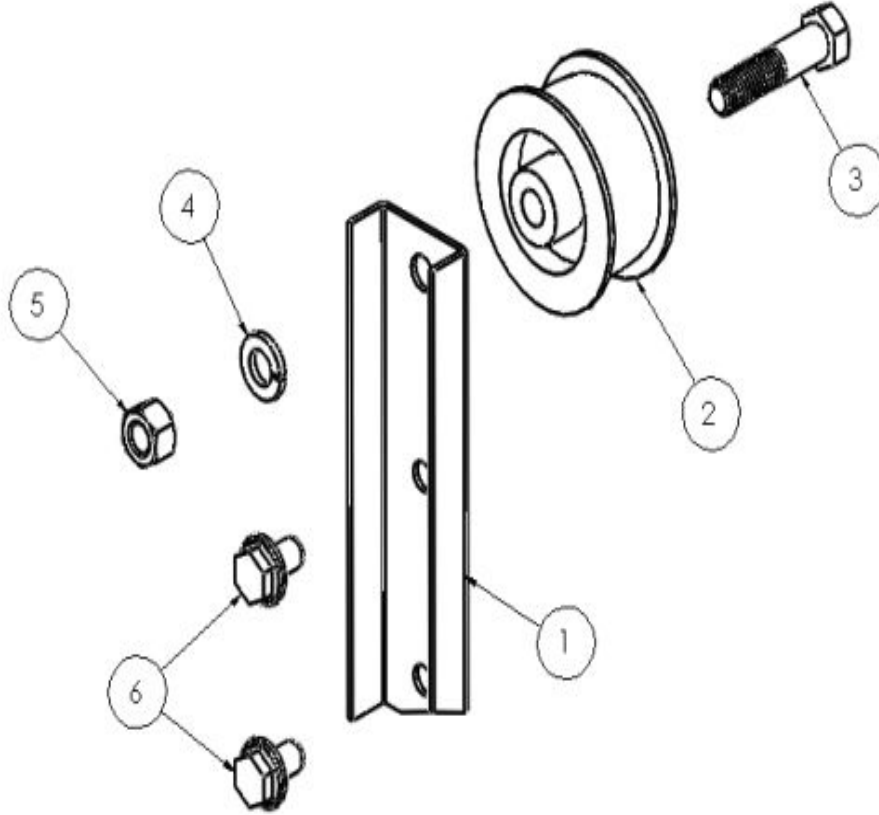
| Ref # | Part Number | Qty | Description                   |
|-------|-------------|-----|-------------------------------|
| -     | S4369       | 1   | Kit Spring Gas Rigid kLocking |

# Handle Crank Standard Gray Assembly PRO



| Ref # | Part Number | Qty | Description                    |
|-------|-------------|-----|--------------------------------|
| 1     | A1993       | 1   | NLA: Handle Handcrank PRO      |
| 2     | P4610       | 1   | GRIP HANDLE HANDCRANK PRO V2   |
| 3     | A2534       | 1   | Shaft Handcrank                |
| 4     | A1591       | 2   | Washer IGUS Handcrank Modified |
| 5     | P1173       | 2   | Brg. Flnged IGUS 5/8 Handc     |
| 6     | 68013       | 1   | Snap Ring .588 ID x .035THK    |
| -     | S4863       | 1   | KIT ASSY HANDCRANK PRO V2      |

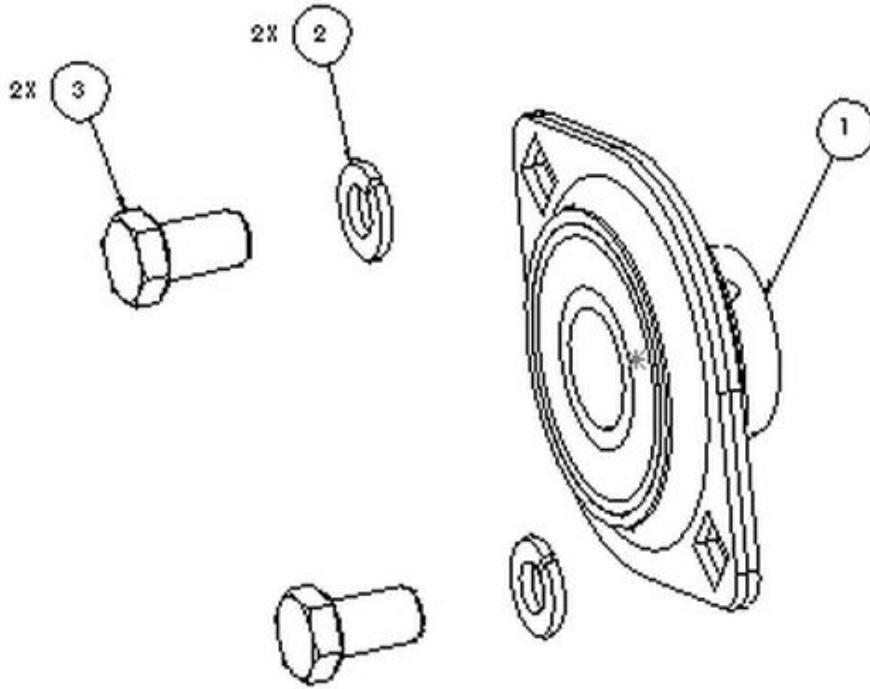
# Idler Assembly PRO1



| Ref # | Part Number | Qty | Description                |
|-------|-------------|-----|----------------------------|
| 1     | A1230       | 1   | Stiffener Side Plate Idler |
| 2     | P1091       | 1   | Idler Ellipt Recumbent     |
| 3     | 13110       | 1   | 3/8"-16 x 1-3/4" Zinc HCS  |
| 4     | 33893       | 1   | 3/8" Yllw Zinc Split L/W   |
| 5     | 36106       | 1   | 3/8"-16 Zinc Hex Nut       |
| 6     | 19651       | 2   | 5/16-18 x 1/2 Zinc FB      |

# Spindle Bearing Drive Assembly

---

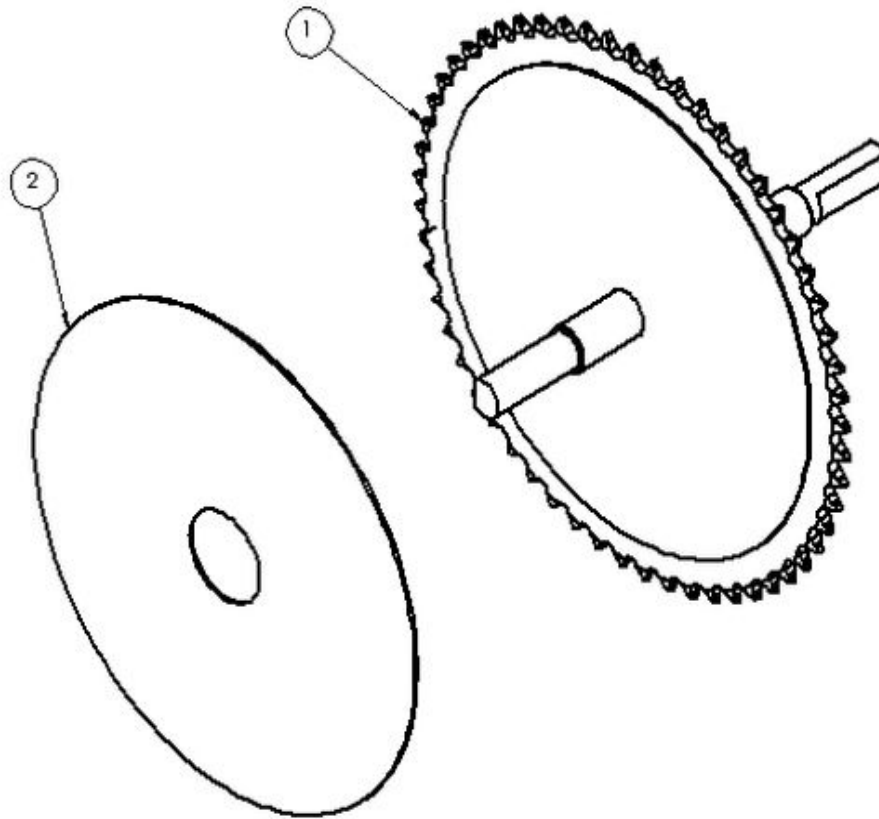


**4X SETS REQUIRED PER UNIT**

| Ref # | Part Number | Qty | Description                    |
|-------|-------------|-----|--------------------------------|
| 1     | P1096       | 1   | Bearing Spindle Drive SB204-12 |
| 2     | 33892       | 2   | 5/16" Yellow Zinc Split L/W    |
| 3     | 13052       | 2   | 5/16"-18 x 5/8" Zinc HCS       |

# Spindle Sprocket Assembly PRO1

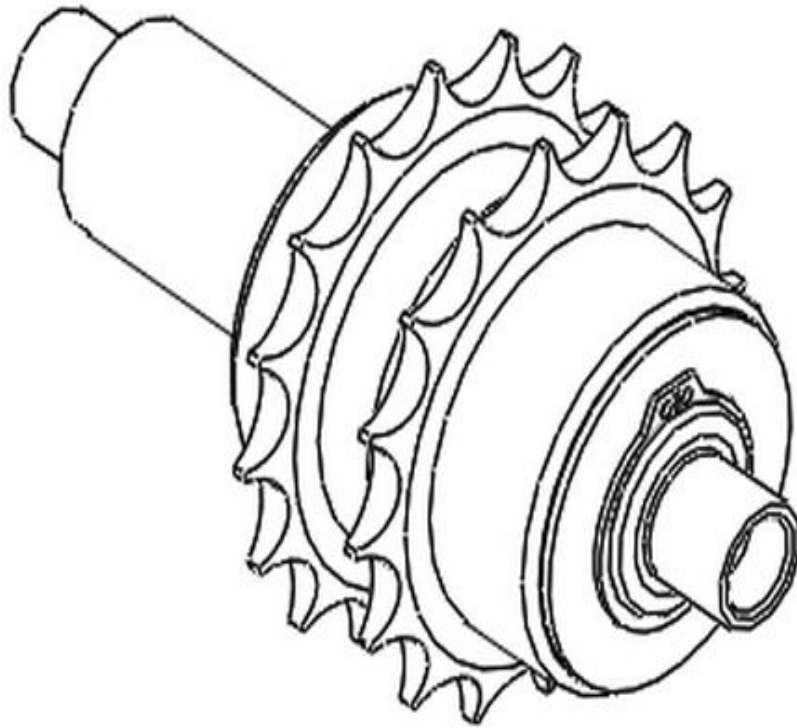
---



| Ref # | Part Number | Qty | Description                 |
|-------|-------------|-----|-----------------------------|
| 1     | A2019       | 1   | Spindle Crank PRO1 Assy.    |
| 2     | P1229       | 1   | Disc Deadening Sound 8.247" |

## Sprocket 40 Bi Directional Assembly PRO1

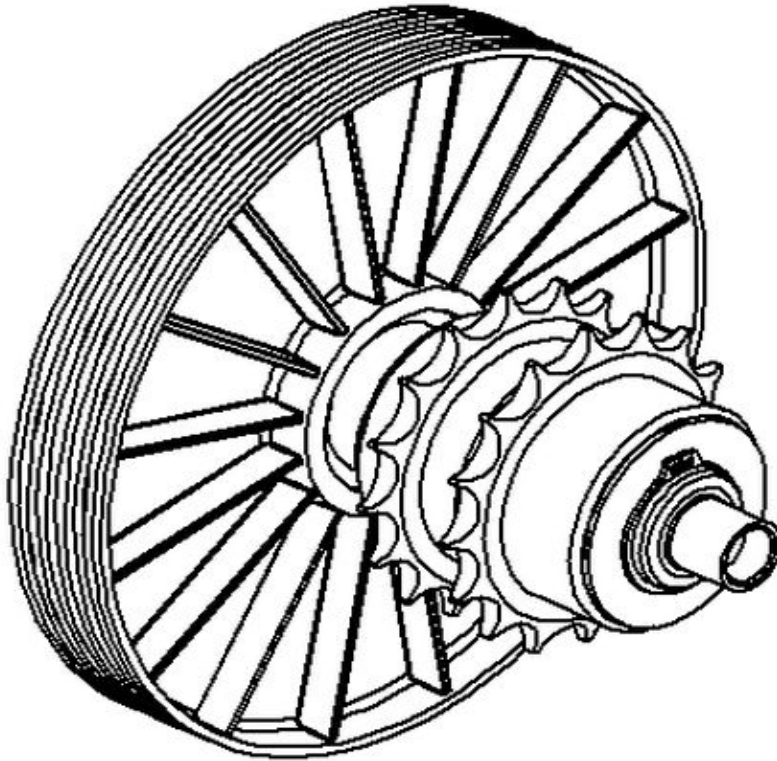
---



| Ref # | Part Number | Qty | Description              |
|-------|-------------|-----|--------------------------|
| -     | A3755       | 1   | Kit Shaft Bi-Direct. #40 |

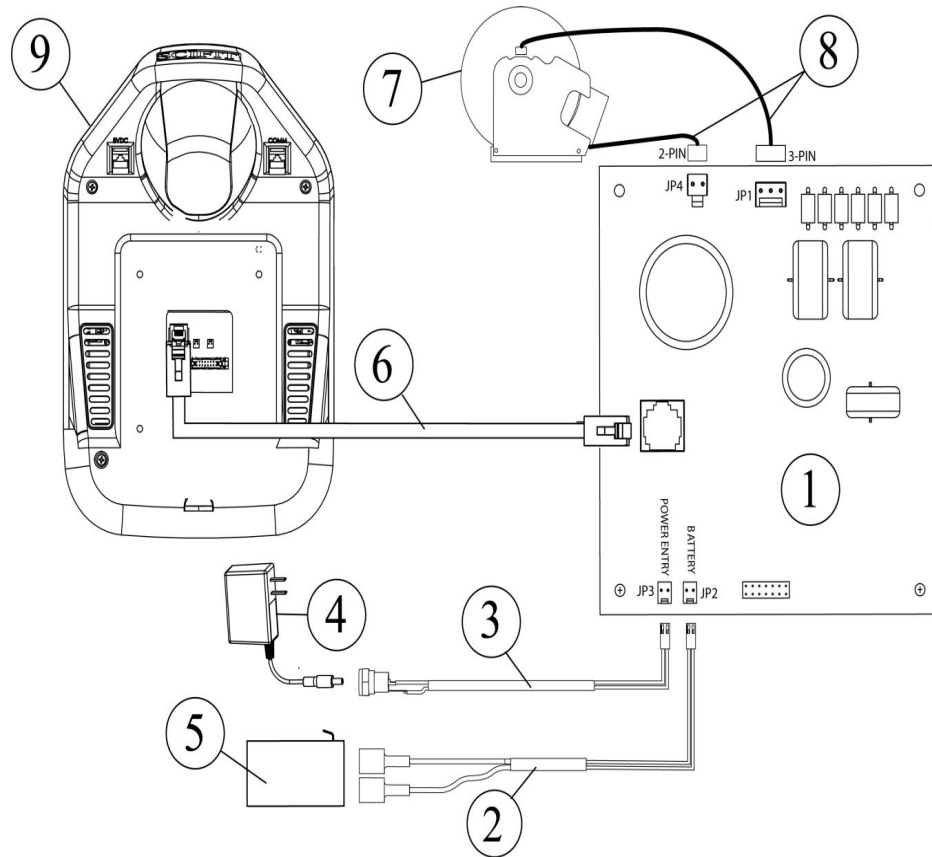
## Sprocket 40 Jackshaft Pulley Assembly PRO1

---



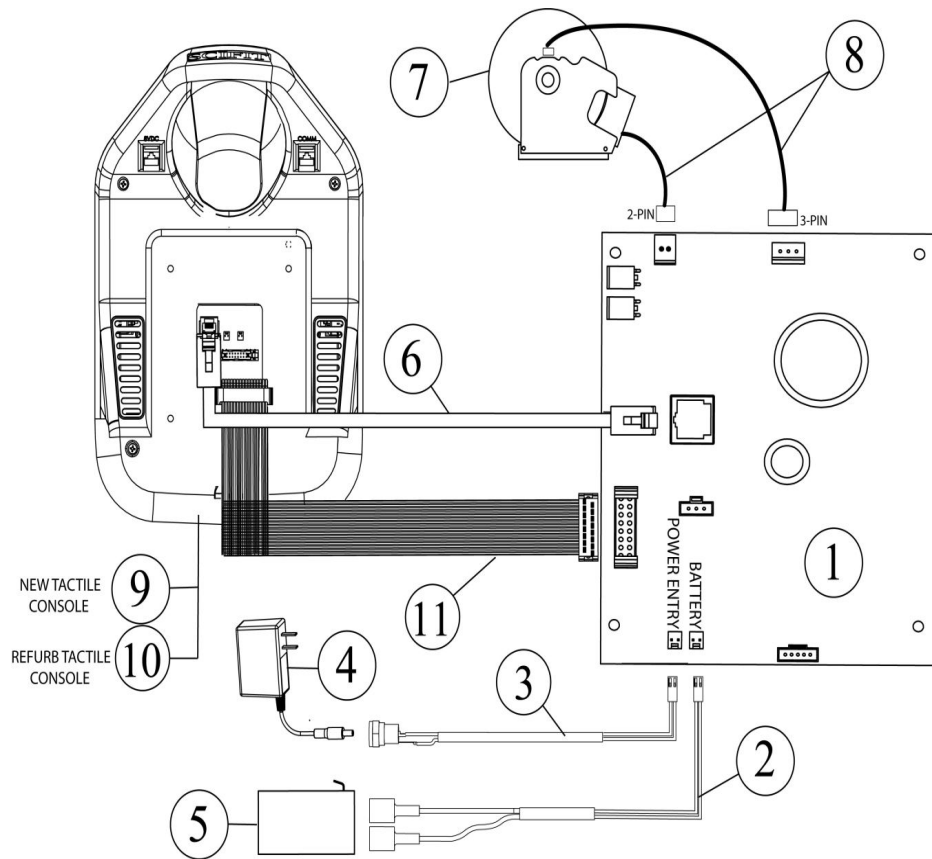
| Ref # | Part Number | Qty | Description            |
|-------|-------------|-----|------------------------|
| -     | A3751       | 1   | Kit Jackshaft PRO1 #40 |

# Wiring PRO101-INT Post 5-2013



| Ref # | Part Number | Qty | Description                                  |
|-------|-------------|-----|--|
| 1     | A5361       | 1   | Kit A5005 W/Mounting Bracket                 |
| 2     | P4733       | 1   | Cable Batt Intelli-Fit/Med PRO               |
| 3     | P2199       | 1   | Cable Power Entry PRO 1                      |
| 4     | P4861       | 1   | SCIFIT POWER SUPPLY AC ADAPTER WALL PACK 18V |
| 5     | P1564       | 1   | Battery Rechargeable Cordless                |
| 6     | P4740       | 1   | Cable Comm 30" Intelli-Fit PRO               |
| 7     | S1906       | 1   | Kit Brake w/60mm Pulley Bikes                |
| 8     | S4454       | 1   | CABLES IND. BRAKE 3 & 2 PIN                  |
| 9     | LCD-EN-01   | 1   | SCIFIT LCD Console English                   |
| 9     | LCD-EN-01   | 1   | SCIFIT LCD Console English                   |
| 9     | LCD-EN-01   | 1   | SCIFIT LCD Console English                   |
| 9     | LCD-EN-01   | 1   | SCIFIT LCD Console English                   |
| 9     | LCD-EN-01   | 1   | SCIFIT LCD Console English                   |
| 9     | LCD-EN-01   | 1   | SCIFIT LCD Console English                   |
| 9     | LCD-EN-01   | 1   | SCIFIT LCD Console English                   |
| 9     | LCD-EN-01   | 1   | SCIFIT LCD Console English                   |
| 9     | LCD-EN-01   | 1   | SCIFIT LCD Console English                   |
| 9     | LCD-EN-01   | 1   | SCIFIT LCD Console English                   |
| 9     | LCD-EN-01   | 1   | SCIFIT LCD Console English                   |

**Wiring PRO101-INT Pre 5-2013**



| Ref # | Part Number | Qty | Description                                  |
|-------|-------------|-----|--|
| 1     | S6189       | 1   | Kit A5361 W/Tactile Firm PRE 5               |
| 2     | P4733       | 1   | Cable Batt Intelli-Fit/Med PRO               |
| 3     | P2199       | 1   | Cable Power Entry PRO 1                      |
| 4     | P4861       | 1   | SCIFIT POWER SUPPLY AC ADAPTER WALL PACK 18V |
| 5     | P1564       | 1   | Battery Rechargeable Cordless                |
| 6     | P4740       | 1   | Cable Comm 30" Intelli-Fit PRO               |
| 7     | S1906       | 1   | Kit Brake w/60mm Pulley Bikes                |
| 8     | S4454       | 1   | CABLES IND. BRAKE 3 & 2 PIN                  |
| 9     | S5195       | 1   | Kit A4604/Strain Relief.Wirele               |
| 10    | S5196R      | 1   | Kit A4604R/Strain Relief.Wirel               |
| 11    | A5193       | 1   | Cable Assy Display 32" V2                    |

