

SCIFIT PRO1

PRO102-INT

Parts Manual

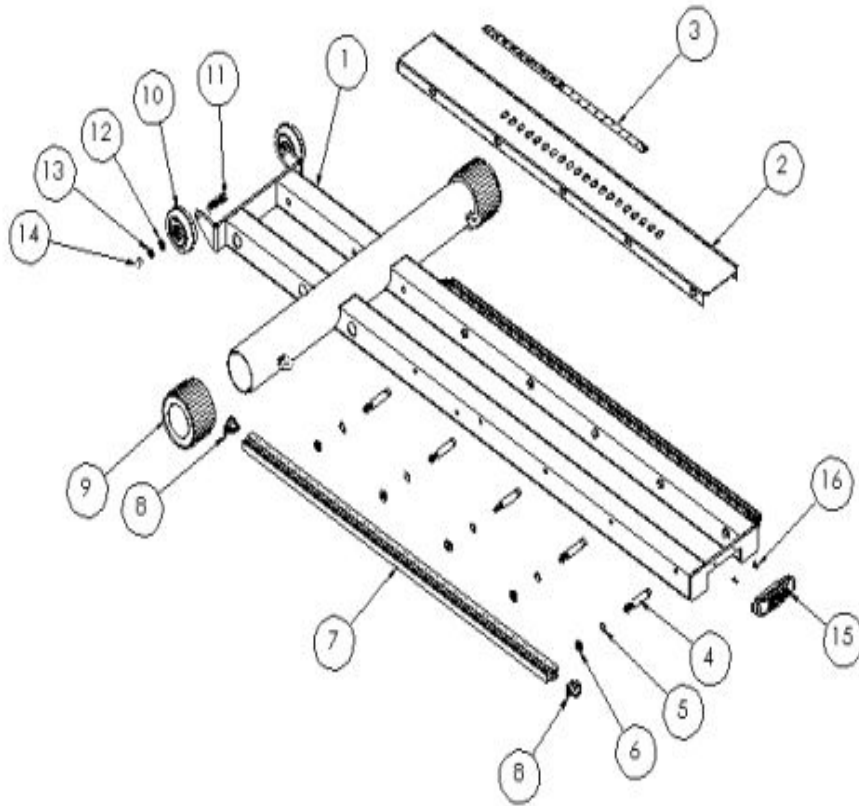
1/17/2019 12:25:09 PM



Table of Contents

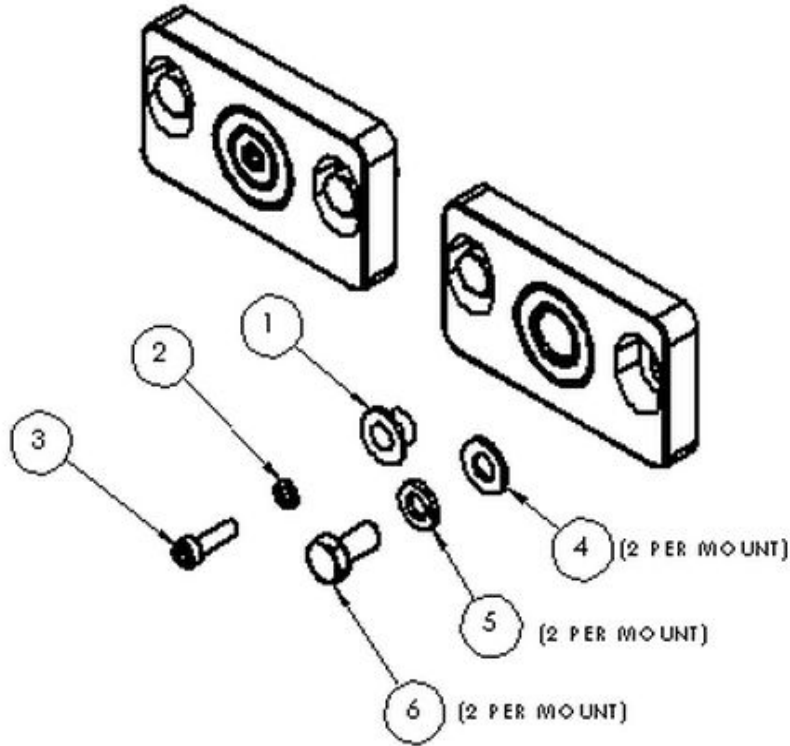
Base Assembly PRO1	3
Bearing Mount Bi Directional Assembly	4
Bearing Mount Jack Shaft Assembly	5
Belt Poly-V	6
Bracket Support Console	7
Brake Assembly PRO1	8
Cable Pull Assembly PRO1	9
Chain 40 Long Assembly PRO1	10
Chain 40 Short Assembly PRO1	11
Covers Assembly Charcoal PRO1	12
Crank Adjustable Left Assembly PRO1	13
Crank Adjustable Right Assembly PRO1	14
Foot Rest PRO1	15
Gas Shock Assembly PRO1	16
Handle Crank Standard Gray Assembly PRO	17
Idler Assembly PRO1	18
Lower Board And Wires PRO102 Post - 5-2013	19
Lower Board And Wires PRO102 Pre - 5-2013	20
Seat Fixed Low Back Pro1 Assembly 610-000001-610-013624	21
Seat Fixed Low Back Sport Assembly 610-013625 - 610-013649	22
Seat Post Fixed Low Back Pro1, Assembly 610-000001-610-013624	23
Seat Post Fixed Low Back Sport Assembly 610-013625 - 610-013649	24
Seat Standard 610-013650 -Current	25
Spindle Bearing Drive Assembly	26
Spindle Sprocket Assembly PRO1	27
Sprocket 40 Bi Directional Assembly PRO1	28
Sprocket 40 Jackshaft Pulley Assembly PRO1	29

Base Assembly PRO1



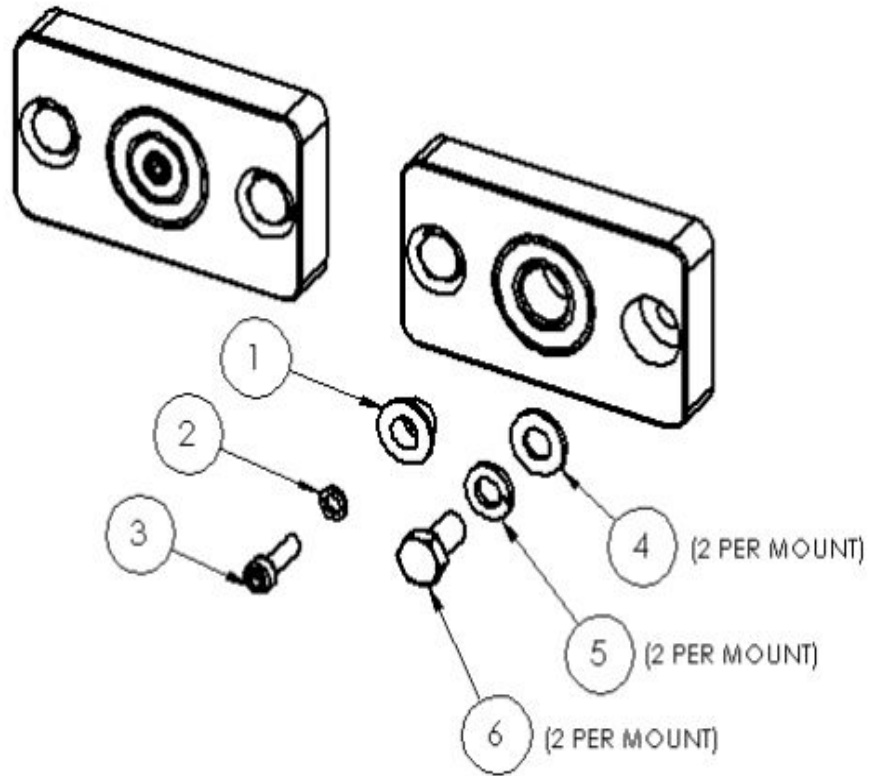
Ref #	Part Number	Qty	Description
11	73783	2	5/16"-18 x 1-3/4" Stnlss BSCS
12	33080	2	5/16" Zinc F/W
13	33892	2	5/16" Yellow Zinc Split L/W
14	70961	2	5/16"-18 Stnlss Stl Acorn Nut
15	A5449	1	HANDLE LIFT STEP 1
16	0142859	2	KIT:6 X 5/8 ZINC PHLLPS PH PLSTC S

Bearing Mount Bi Directional Assembly



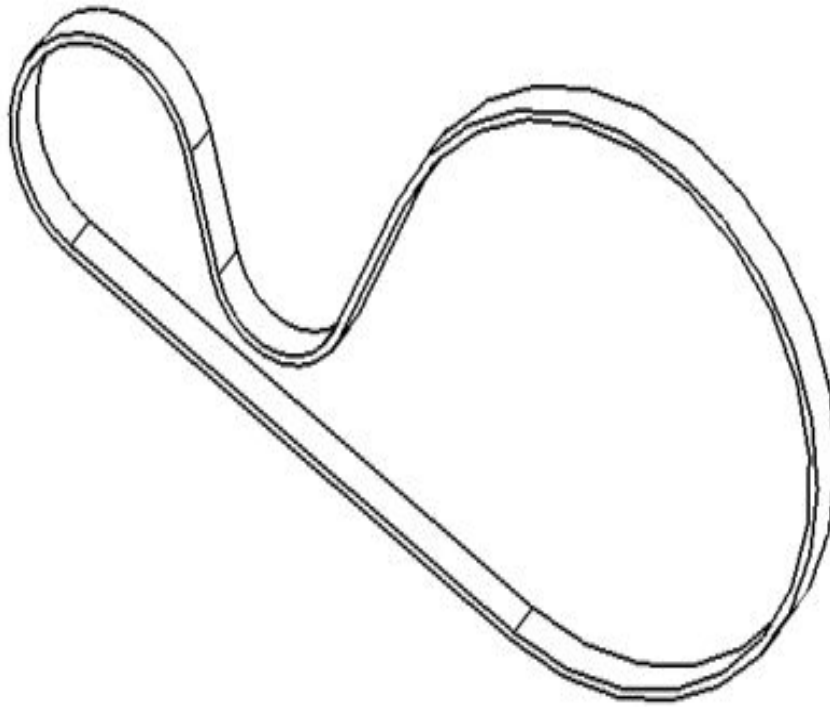
Ref #	Part Number	Qty	Description
1	A1972	2	Washer Retain. Bearing Recess
2	33614	2	#10 Zinc Split L/W
3	93165	2	#10-32 x 5/8" Zinc SCS
4	33080	4	5/16" Zinc F/W
5	33892	4	5/16" Yellow Zinc Split L/W
6	13052	4	5/16"-18 x 5/8" Zinc HCS
-	S4748	1	Kit (1pr.) Bearing Mount Bi-

Bearing Mount Jack Shaft Assembly



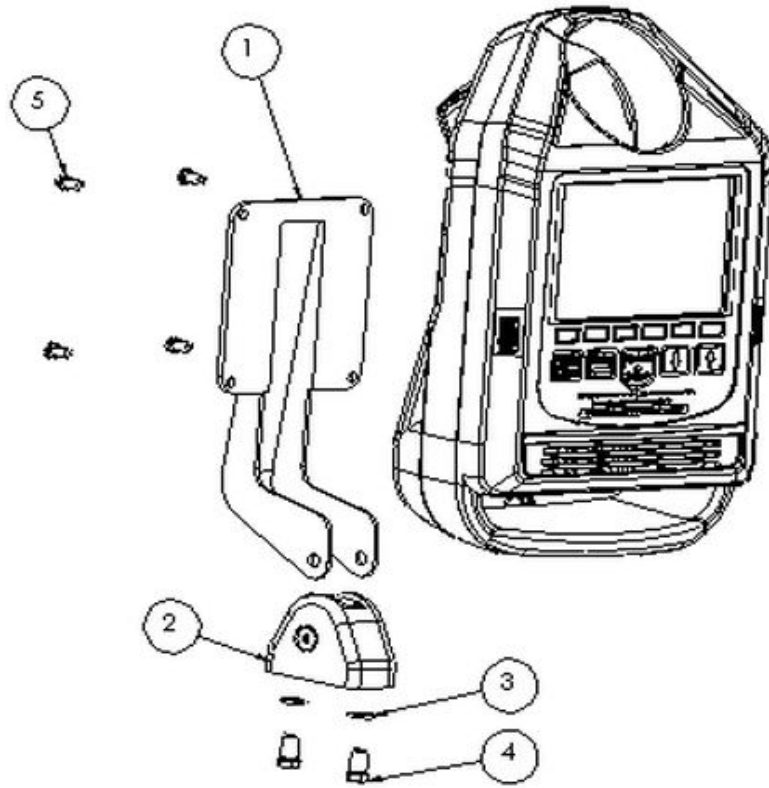
Ref #	Part Number	Qty	Description
1	A1972	2	Washer Retain. Bearing Recess
2	33614	2	#10 Zinc Split L/W
3	93165	2	#10-32 x 5/8" Zinc SCS
4	33080	4	5/16" Zinc F/W
5	33892	4	5/16" Yellow Zinc Split L/W
6	13052	4	5/16"-18 x 5/8" Zinc HCS
-	S4747	1	Kit (1 pr) Bearing Mount Jac

Belt Poly-V



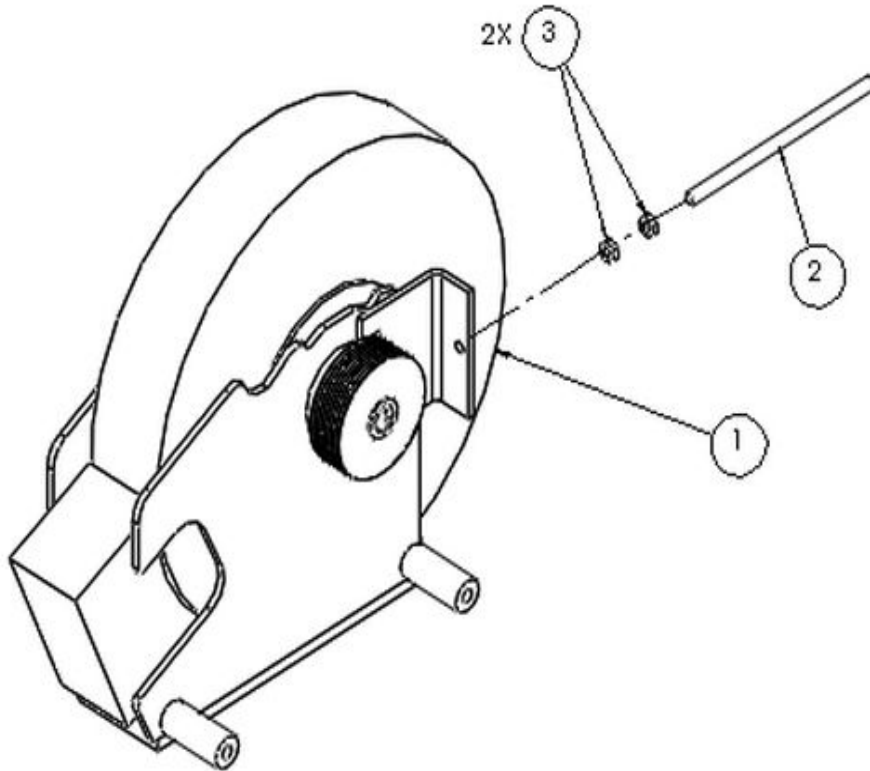
Ref #	Part Number	Qty	Description
1	P3594	1	Belt Poly-V J6-310

Bracket Support Console



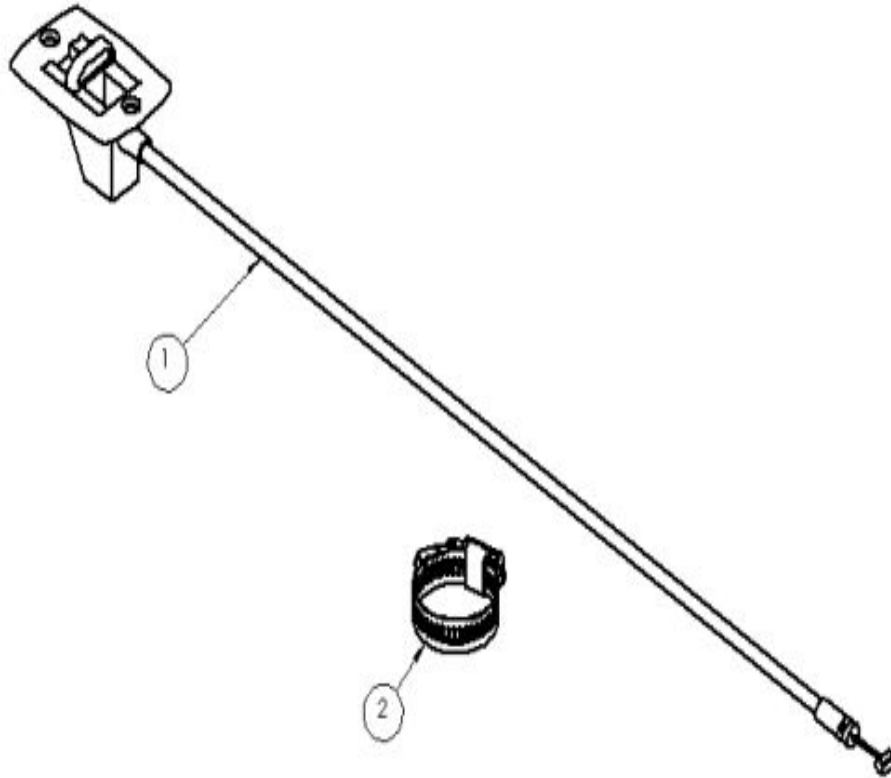
Ref #	Part Number	Qty	Description
1	A4659	1	DISPLAY ADJ PRO LCD V2
2	S5791	1	Kit Quadrant W/HW Post 4/13 PR
3	33892	2	5/16" Yellow Zinc Split L/W
4	13052	2	5/16"-18 x 5/8" Zinc HCS
5	10537-09060	4	Screw M5 x 12mm Phil Black Zinc

Brake Assembly PRO1



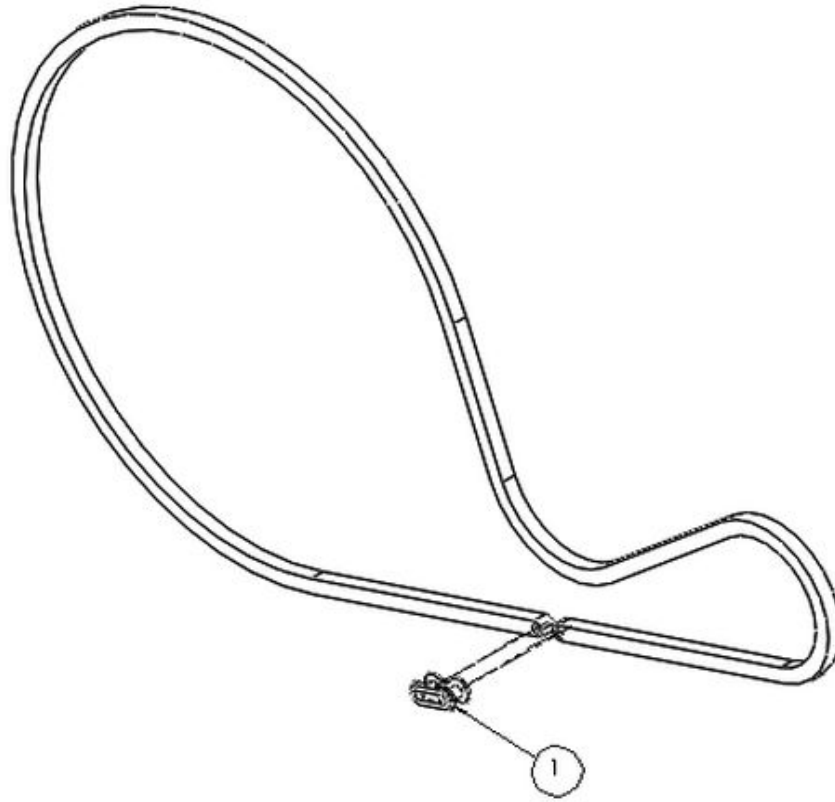
Ref #	Part Number	Qty	Description
1	S1906	1	Kit Brake w/60mm Pulley Bikes
2	P2520	1	Rod Tensioning 5" #10-32 UNF THD
3	36030	2	10-32 Zinc Machine Screw Nut

Cable Pull Assembly PRO1



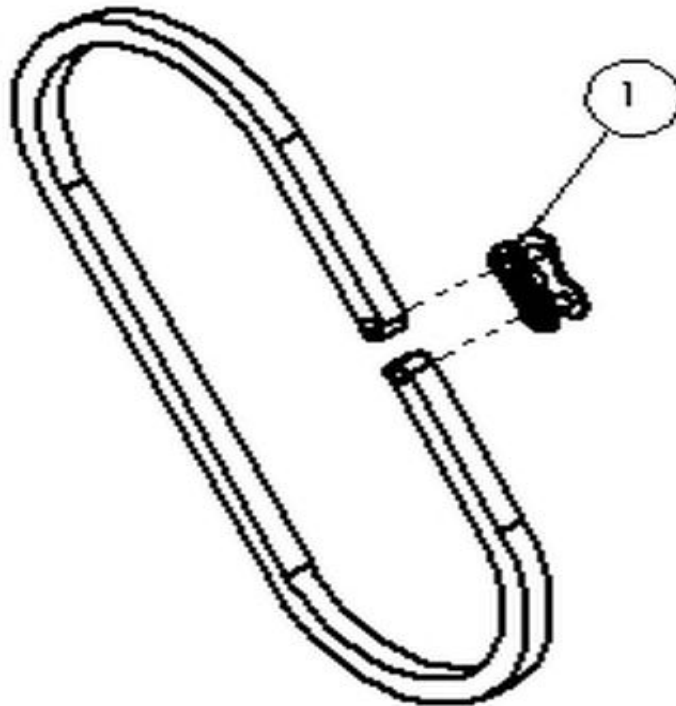
Ref #	Part Number	Qty	Description
1	P2039	1	Actuator Pull Cable Assy.
2	0427612	1	KIT:CLAMP, HOSE, 20 3/4" X 1 3/4 WIDE
-	S4464	1	KIT ACTUATOR PULL CBL/HOSE CLA

Chain 40 Long Assembly PRO1



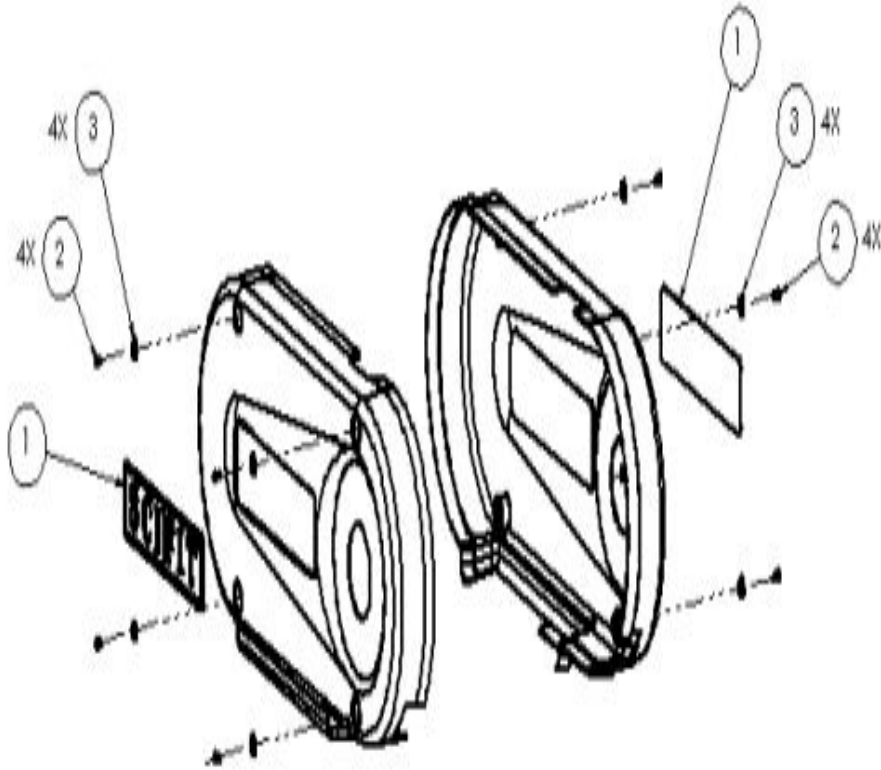
Ref #	Part Number	Qty	Description
1	P2379	1	Link master chain #40
-	A3119	1	Kit Chain Long #40 86P ISO7000

Chain 40 Short Assembly PRO1



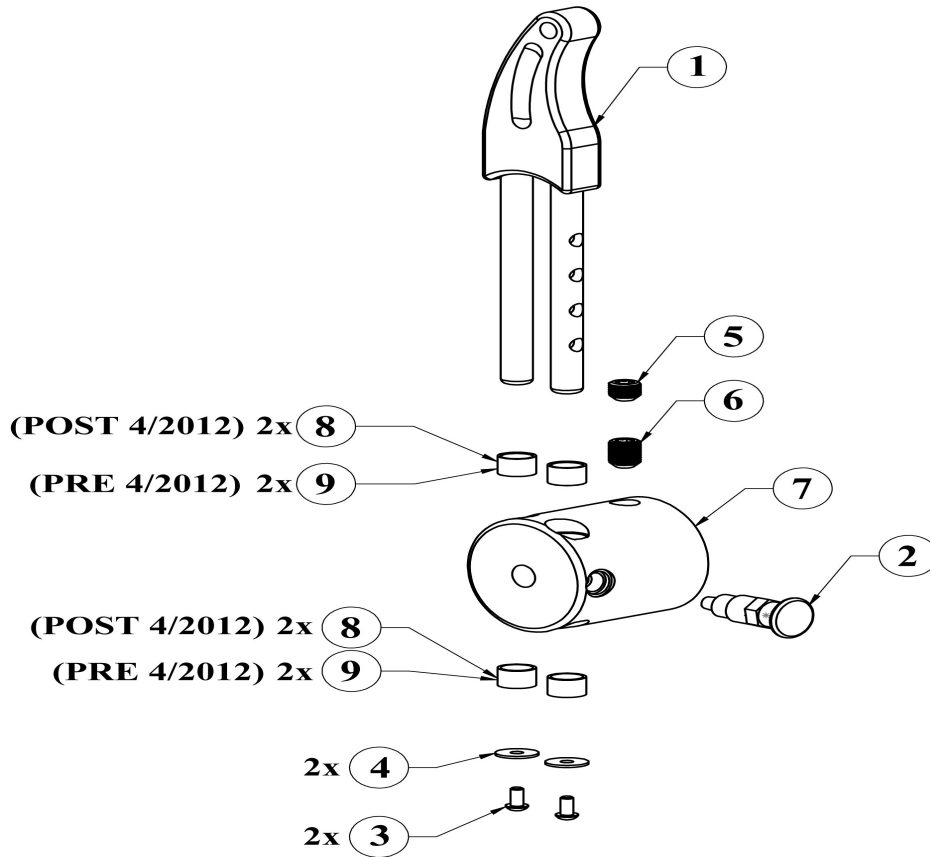
Ref #	Part Number	Qty	Description
1	P2379	1	Link master chain #40
-	A3120	1	Kit #40 Chain Short 32P ISO RE

Covers Assembly Charcoal PRO1



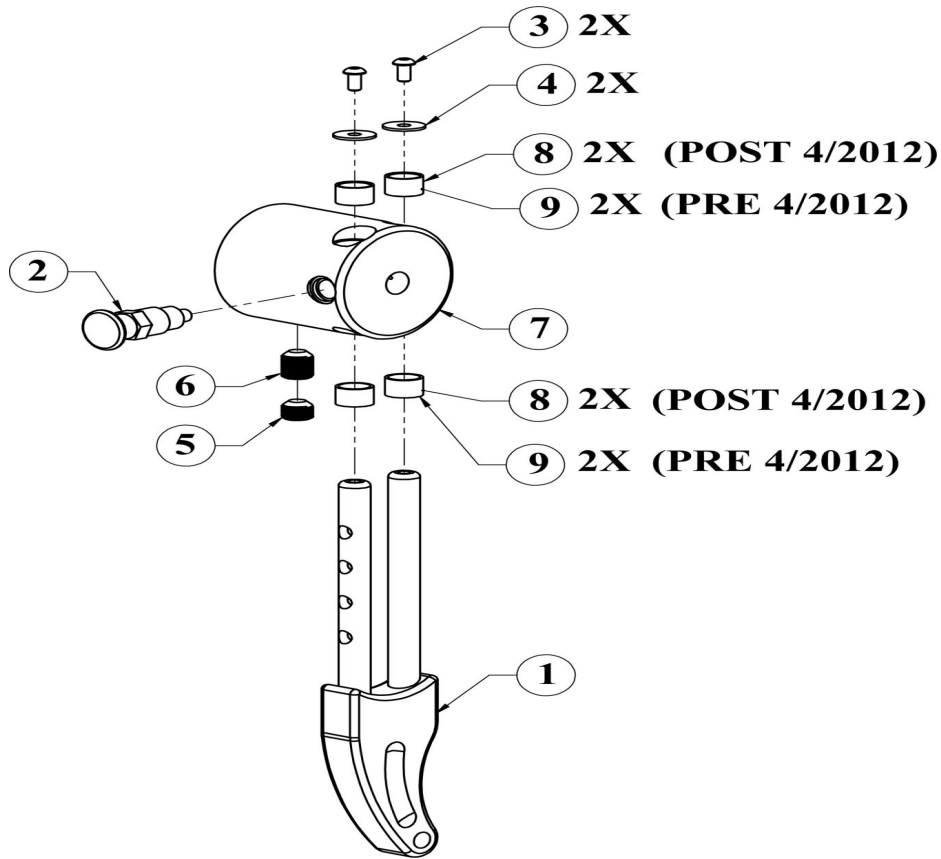
Ref #	Part Number	Qty	Description
1	P1100	2	DECAL SCIFIT 2.75 X 12
2	11253079	8	#10-32 x .375 Phillips Pan Machine Screw Black
3	P1921	8	Washer cover plastic
-	S5786	1	Kit PRO1 Covers LH/RH Smooth

Crank Adjustable Left Assembly PRO1



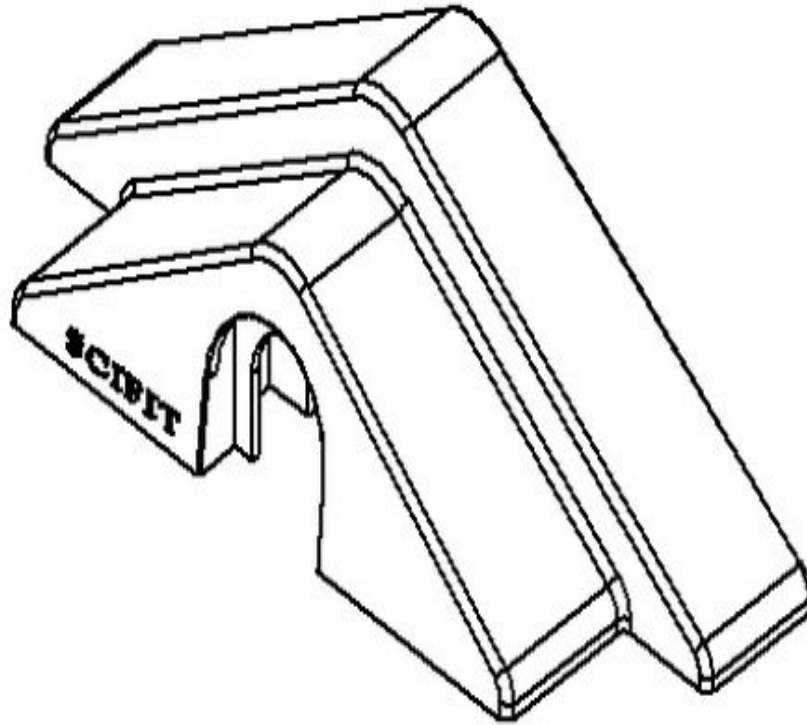
Ref #	Part Number	Qty	Description
1	A3086	1	Crank Upper Left Extended Assy
2	A5380	1	Assy Pop-Pin Hub Flange Knob
3	94049	2	1/4"-20 x 1/2" Zinc BSCS
4	10537-08370	2	.25 ID x .835 OD F/W
5	P3110	1	Screw Set Socket Point Flat 5/8-18 x .5
6	P3111	1	Screw Set Socket Point Flat 5/8-18 x .75
7	A3781	1	Assy. Hub Crank PRO Upper
8	P5174	4	Bushing IGUS Hub MSI-1012-08 P
9	P1756	1	Bearing Igus rod handcrank
-	SB3253	1	Kit,Crank,Extended,UB,Left

Crank Adjustable Right Assembly PRO1



Ref #	Part Number	Qty	Description
1	A3085	1	Crank Upper Right Extended Ass
2	A5380	1	Assy Pop-Pin Hub Flange Knob
3	94049	2	1/4"-20 x 1/2" Zinc BSCS
4	10537-08370	2	.25 ID x .835 OD F/W
5	P3110	1	Screw Set Socket Point Flat 5/8-18 x .5
6	P3111	1	Screw Set Socket Point Flat 5/8-18 x .75
7	A3781	1	Assy. Hub Crank PRO Upper
8	P5174	4	Bushing IGUS Hub MSI-1012-08 P
9	P1756	1	Bearing Igus rod handcrank
-	SB3161	1	Kit,Crank,Extended,UB,PRO1,Rig

Foot Rest PRO1



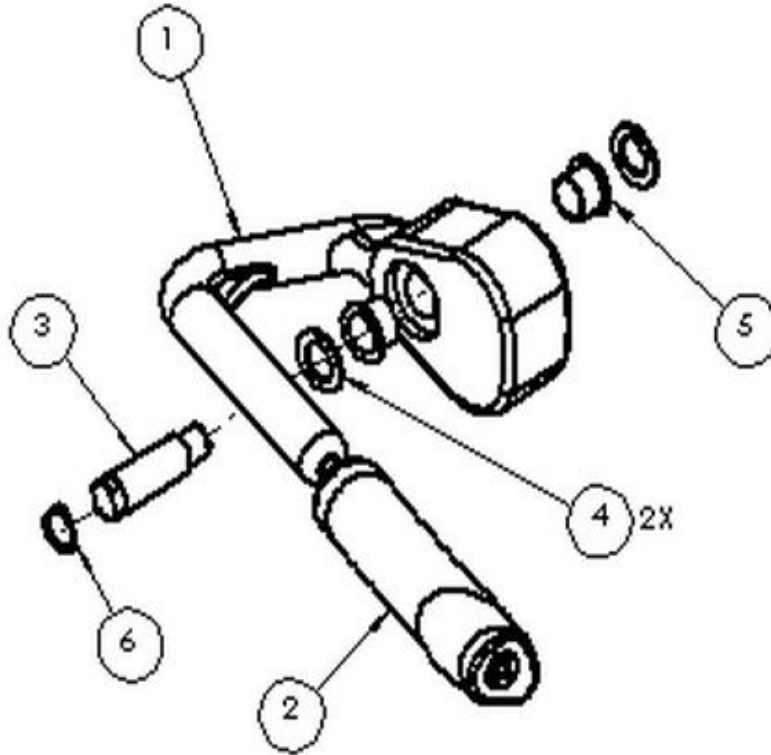
Ref #	Part Number	Qty	Description
-	A2286	1	Footrest Molded PRO

Gas Shock Assembly PRO1



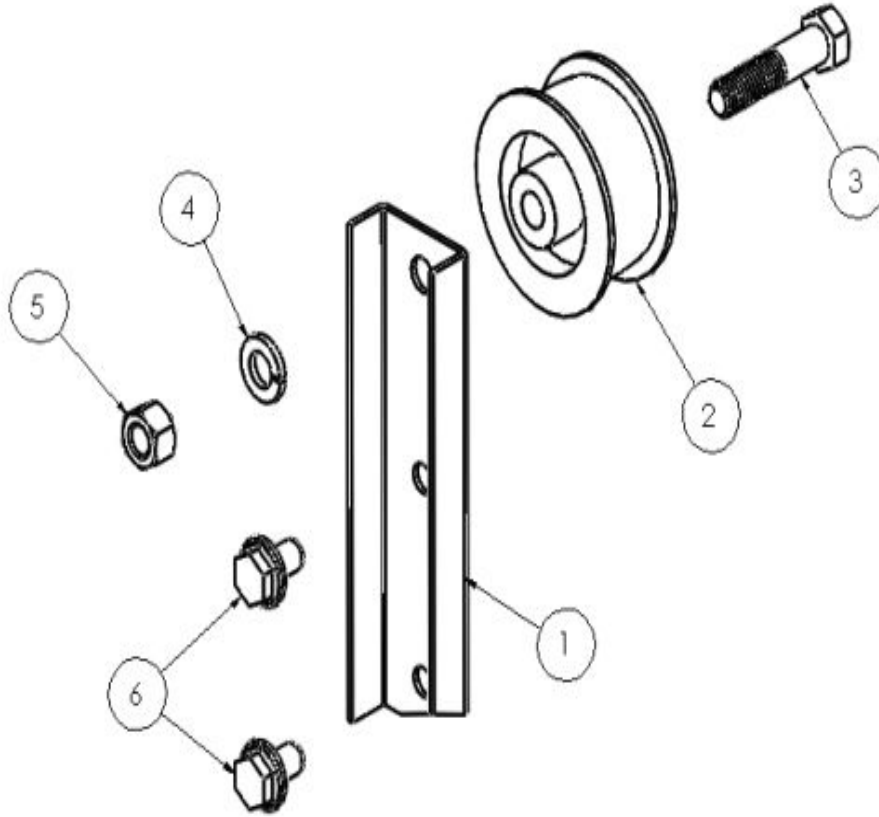
Ref #	Part Number	Qty	Description
-	S4369	1	Kit Spring Gas Rigid kLocking

Handle Crank Standard Gray Assembly PRO



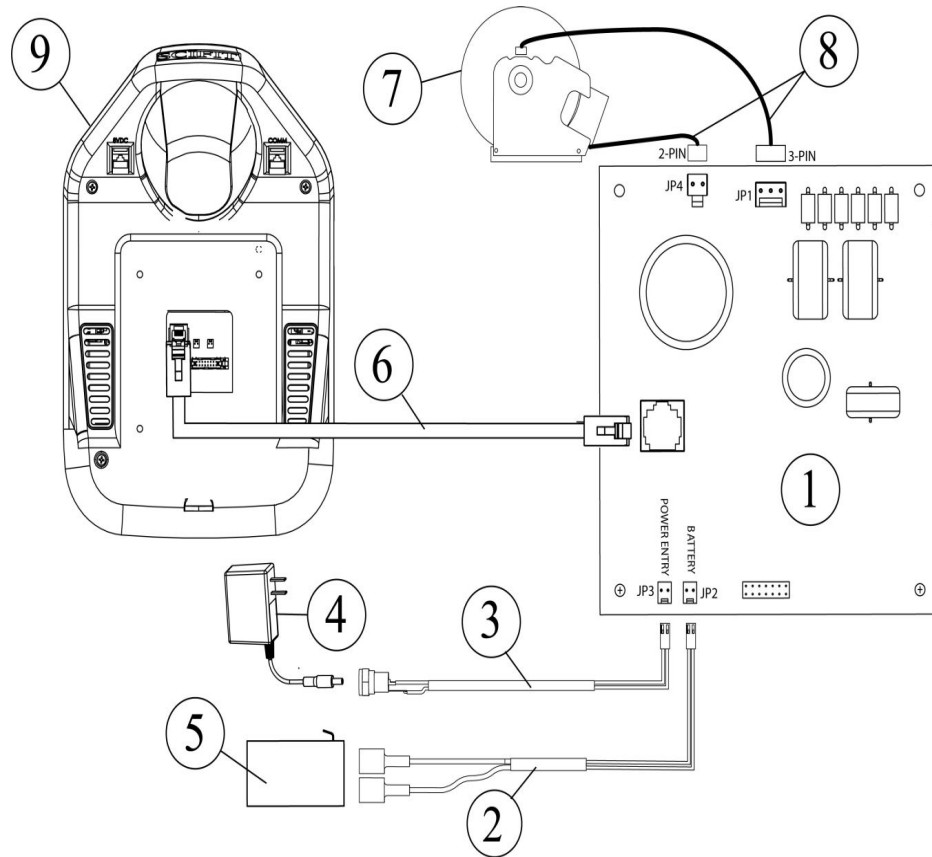
Ref #	Part Number	Qty	Description
1	A1993	1	NLA: Handle Handcrank PRO
2	P4610	1	GRIP HANDLE HANDCRANK PRO V2
3	A2534	1	Shaft Handcrank
4	A1591	2	Washer IGUS Handcrank Modified
5	P1173	2	Brg. Flnged IGUS 5/8 Handc
6	68013	1	Snap Ring .588 ID x .035THK
-	S4863	1	KIT ASSY HANDCRANK PRO V2

Idler Assembly PRO1



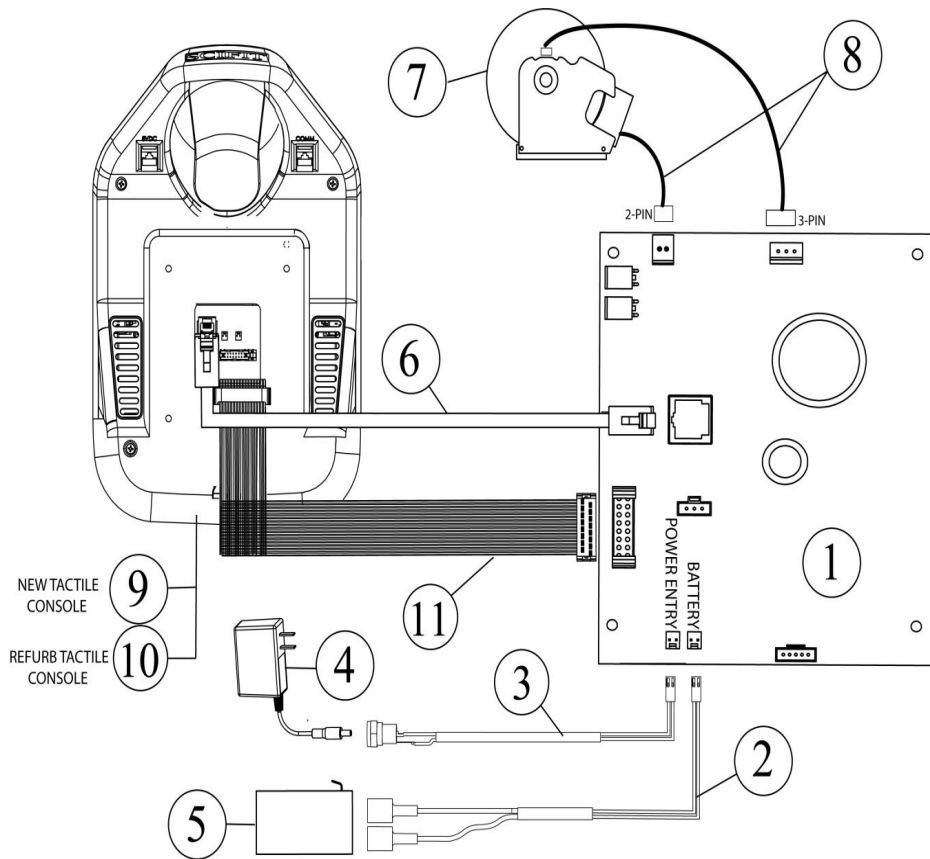
Ref #	Part Number	Qty	Description
1	A1230	1	Stiffener Side Plate Idler
2	P1091	1	Idler Ellipt Recumbent
3	13110	1	3/8"-16 x 1-3/4" Zinc HCS
4	33893	1	3/8" Yllw Zinc Split L/W
5	36106	1	3/8"-16 Zinc Hex Nut
6	19651	2	5/16-18 x 1/2 Zinc FB

Lower Board And Wires PRO102 Post - 5-2013



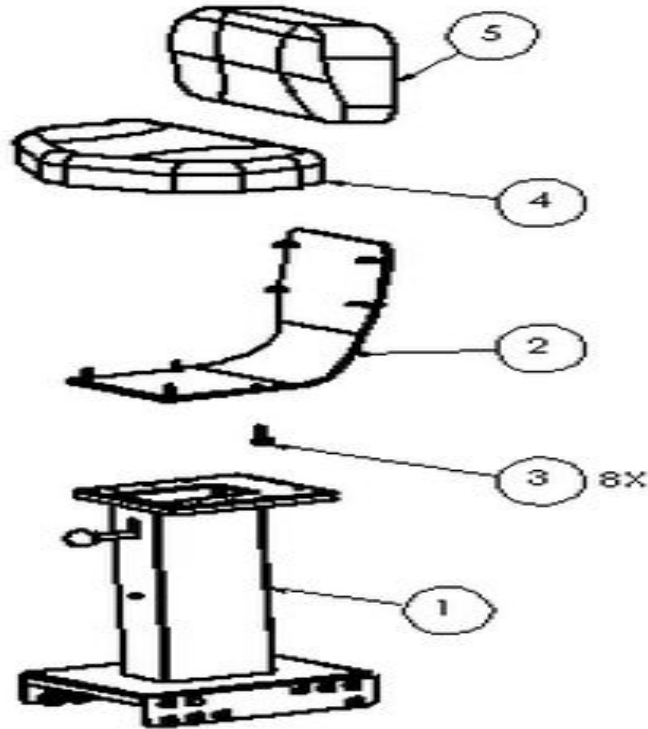
Ref #	Part Number	Qty	Description
1	A5361	1	Kit A5005 W/Mounting Bracket
2	P4733	1	Cable Batt Intelli-Fit/Med PRO
3	P2199	1	Cable Power Entry PRO 1
4	P4861	1	SCIFIT POWER SUPPLY AC ADAPTER WALL PACK 18V
5	P1564	1	Battery Rechargeable Cordless
6	P4740	1	Cable Comm 30" Intelli-Fit PRO
7	S1906	1	Kit Brake w/60mm Pulley Bikes
8	S4454	1	CABLES IND. BRAKE 3 & 2 PIN
9	LCD-EN-01	1	SCIFIT LCD Console English
9	LCD-EN-01	1	SCIFIT LCD Console English
9	LCD-EN-01	1	SCIFIT LCD Console English
9	LCD-EN-01	1	SCIFIT LCD Console English
9	LCD-EN-01	1	SCIFIT LCD Console English
9	LCD-EN-01	1	SCIFIT LCD Console English
9	LCD-EN-01	1	SCIFIT LCD Console English
9	LCD-EN-01	1	SCIFIT LCD Console English
9	LCD-EN-01	1	SCIFIT LCD Console English
9	LCD-EN-01	1	SCIFIT LCD Console English

Lower Board And Wires PRO102 Pre - 5-2013



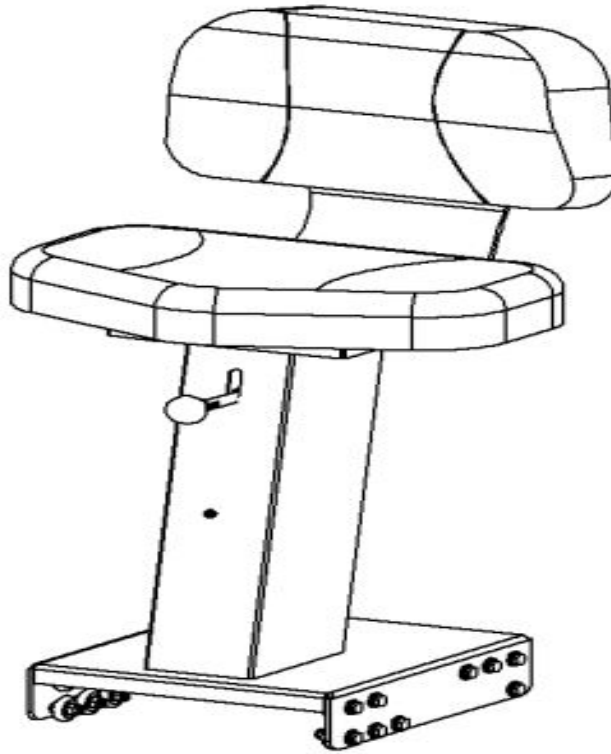
Ref #	Part Number	Qty	Description
1	S6189	1	Kit A5361 W/Tactile Firm PRE 5
2	P4733	1	Cable Batt Intelli-Fit/Med PRO
3	P2199	1	Cable Power Entry PRO 1
4	P4861	1	SCIFIT POWER SUPPLY AC ADAPTER WALL PACK 18V
5	P1564	1	Battery Rechargeable Cordless
6	P4740	1	Cable Comm 30" Intelli-Fit PRO
7	S1906	1	Kit Brake w/60mm Pulley Bikes
8	S4454	1	CABLES IND. BRAKE 3 & 2 PIN
9	S5195	1	Kit A4604/Strain Relief.Wirele
10	S5196R	1	Kit A4604R/Strain Relief.Wirel
11	A5193	1	Cable Assy Display 32" V2

Seat Fixed Low Back Pro1 Assembly
610-000001-610-013624



Ref #	Part Number	Qty	Description
1	S66492	1	Assy Fixed Base PRO1
2	A3283	1	Plate Mount Seat PRO
3	19919	8	BOLT 5/16-18 x 1.25 SERRATED HEX
4	P4434	1	Pad Seat Bottom V2
5	P4435	1	PAD SUPPORT LOW BACK V2
-	S3321-CH	1	KIT:KIT, SEAT, FIXED, LOW BACK, PRO1,CHARCOAL

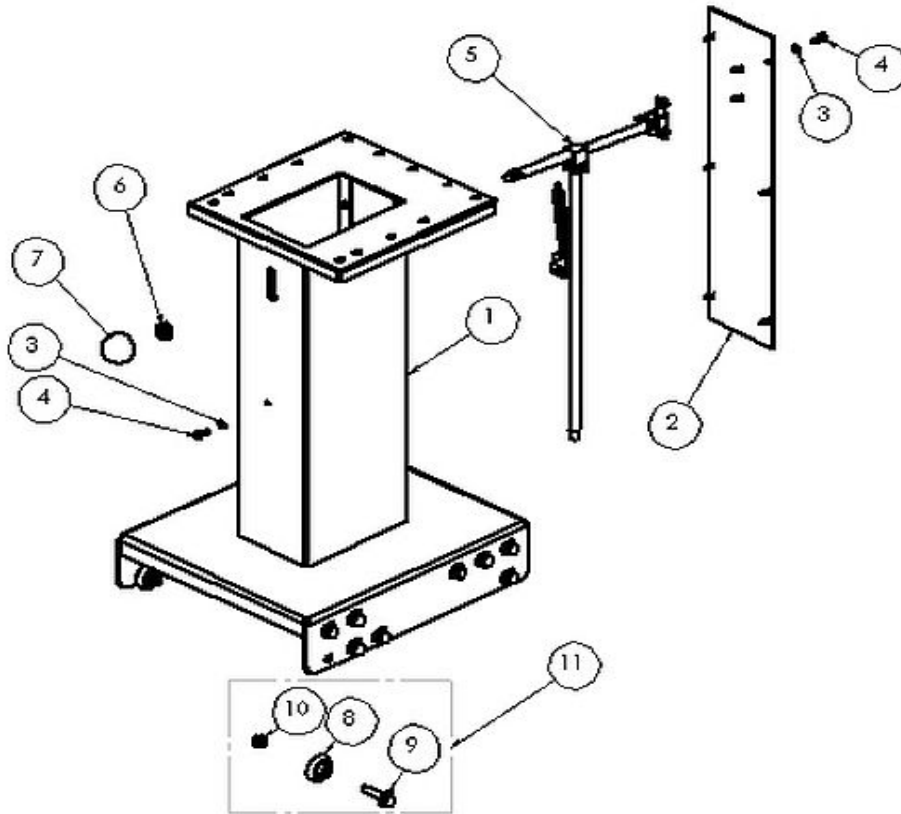
Seat Fixed Low Back Sport Assembly 610-013625 - 610-013649



PLEASE SEE: S3190-CH

Ref #	Part Number	Qty	Description
1	C3191-CH	1	Assy Seatbase Fixed PRO2 Sport Charcoal
2	A3283	1	Plate Mount Seat PRO
3	19919	8	BOLT 5/16-18 x 1.25 SERRATED HEX
4	P4434	1	Pad Seat Bottom V2
5	P4435	1	PAD SUPPORT LOW BACK V2
-	S3190-CH	1	Kit,Seat,Fixed LB,PRO,Charcoal

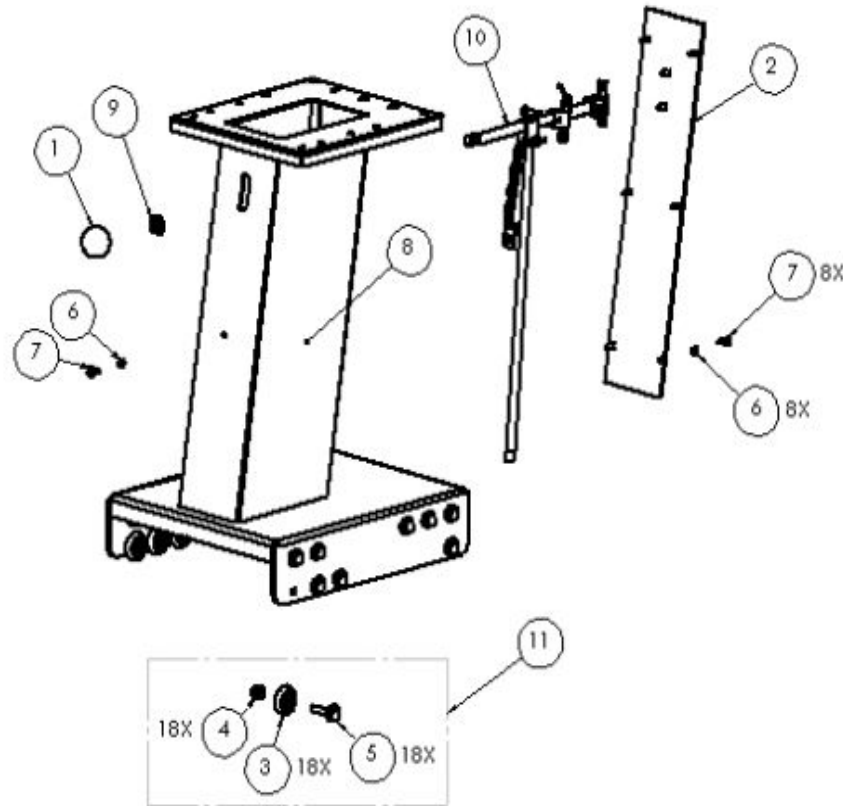
Seat Post Fixed Low Back Pro1, Assembly
610-000001-610-013624



Ref #	Part Number	Qty	Description
1	C1122-CH	1	KIT:SEATBASE, PRO1, WLDMNT, CHARCOAL
2	A3860-CH	1	KIT:Cover, Seatpost, PRO1000
3	33614	8	#10 Zinc Split L/W
4	29049	8	SCREW 10-32 x .5 PHIL. PAN HD
5	S1651	1	Kit, Fixed, Seat Post,Lever AD
6	36258	1	NUT JAM 7/16-20 HEX
7	P1125	1	Knob 7/16-20 Round
8	P1038	18	Roller Urethane 1-1/4 Dia. X 3
9	19919	18	BOLT 5/16-18 x 1.25 SERRATED HEX
10	37021	18	NUT NYLOCK 5/16-18
11	S6396	1	Kit, HW/Rollers, Seat Base,NSS

Seat Post Fixed Low Back Sport Assembly

610-013625 - 610-013649



Ref #	Part Number	Qty	Description
1	P1125	1	Knob 7/16-20 Round
2	A3196-CH	1	COVER SEATPOST PRO CHARCOAL
3	P1038	18	Roller Urethane 1-1/4 Dia. X 3
4	37021	18	NUT NYLOCK 5/16-18
5	19919	18	BOLT 5/16-18 x 1.25 SERRATED HEX
6	33614	9	#10 Zinc Split L/W
7	29049	9	SCREW 10-32 x .5 PHIL. PAN HD
8	C3192-CH	1	SEATPOST FIXED PRO CHARCOAL
9	36258	1	NUT JAM 7/16-20 HEX
10	S1651	1	Kit, Fixed, Seat Post, Lever AD
11	S6396	1	Kit, HW/Rollers, Seat Base, NSS

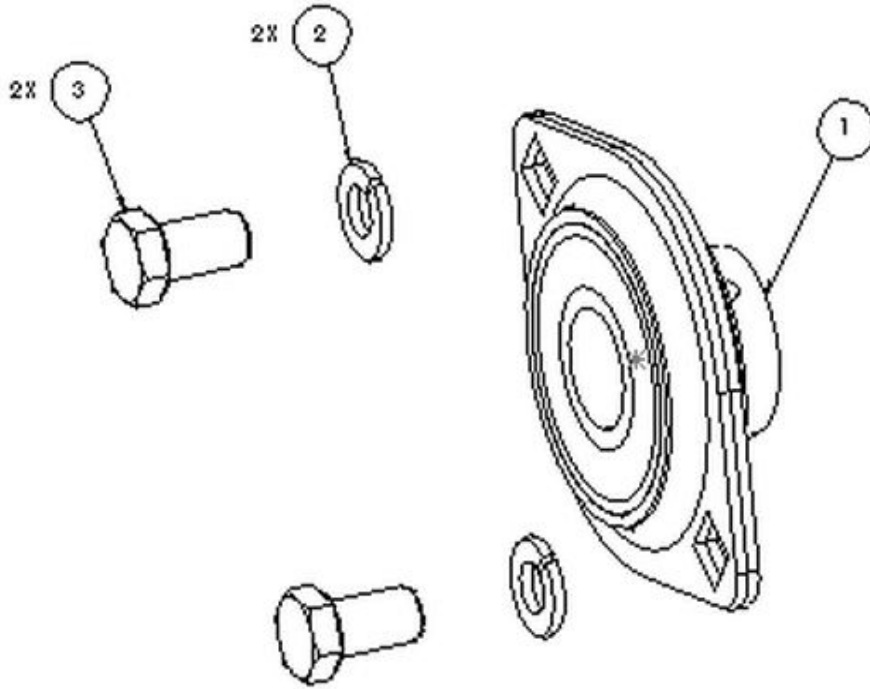
Seat Standard 610-013650 -Current



PLEASE SEE: STND-SEAT-01

Ref #	Part Number	Qty	Description
1	STND-SEAT-01	1	SCIFIT Standard Seat

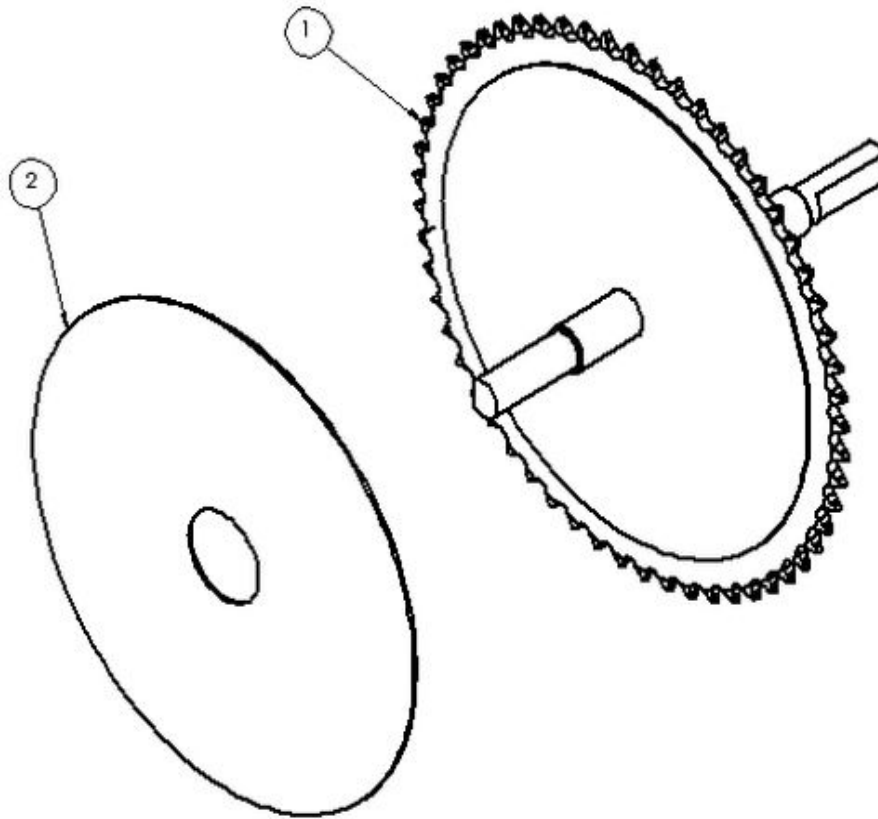
Spindle Bearing Drive Assembly



4X SETS REQUIRED PER UNIT

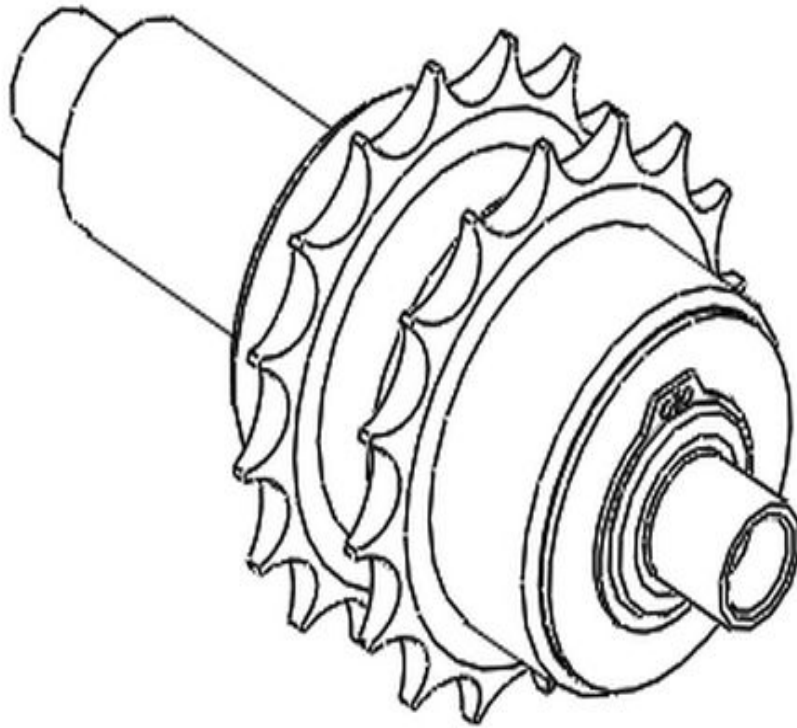
Ref #	Part Number	Qty	Description
1	P1096	1	Bearing Spindle Drive SB204-12
2	33892	2	5/16" Yellow Zinc Split L/W
3	13052	2	5/16"-18 x 5/8" Zinc HCS

Spindle Sprocket Assembly PRO1



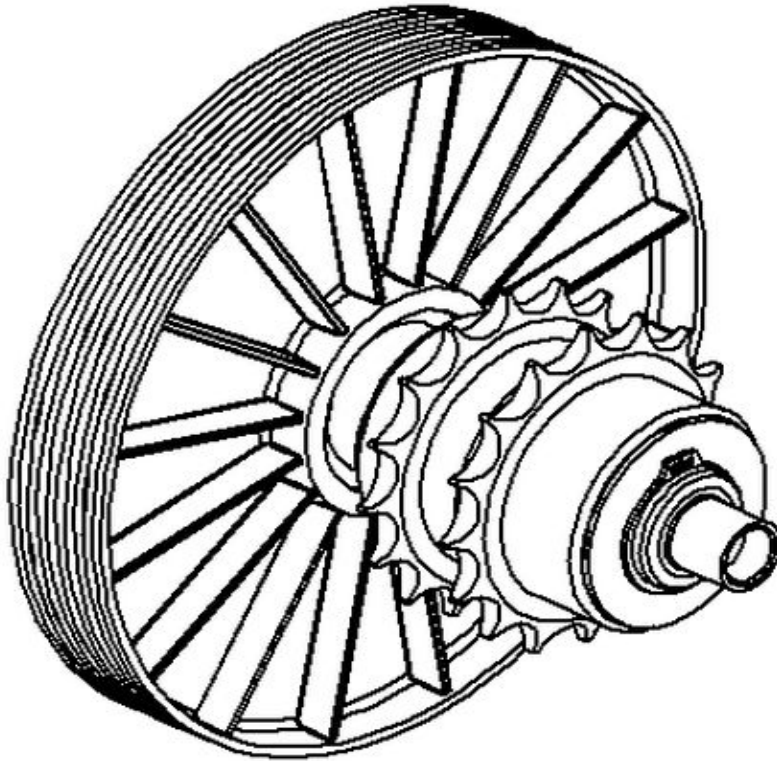
Ref #	Part Number	Qty	Description
1	A2019	1	Spindle Crank PRO1 Assy.
2	P1229	1	Disc Deadening Sound 8.247"

Sprocket 40 Bi Directional Assembly PRO1



Ref #	Part Number	Qty	Description
-	A3755	1	Kit Shaft Bi-Direct. #40

Sprocket 40 Jackshaft Pulley Assembly PRO1



Ref #	Part Number	Qty	Description
-	A3751	1	Kit Jackshaft PRO1 #40

