

SCIFIT PRO1000

PRO1032-INT

Parts Manual

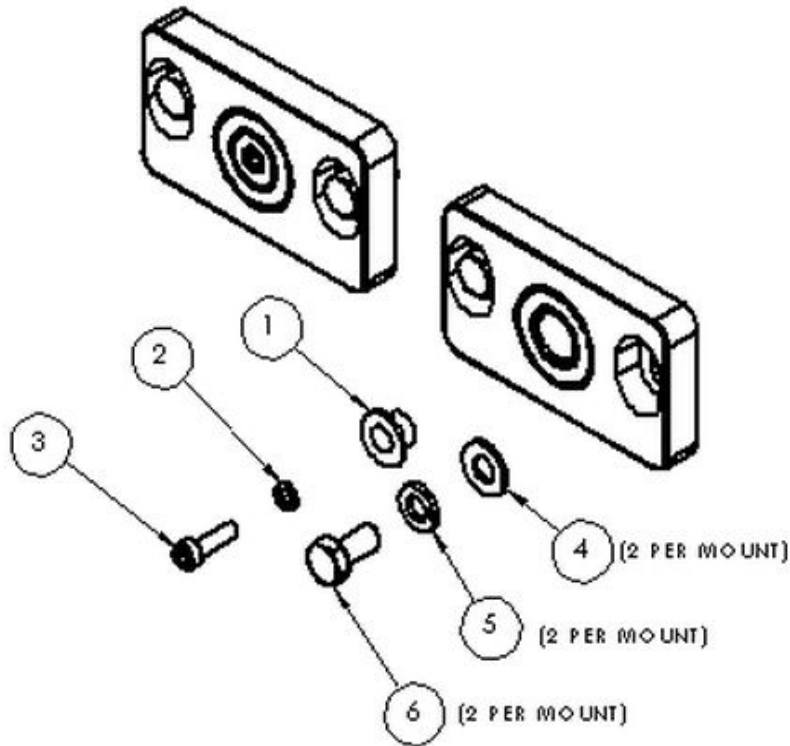
1/17/2019 12:45:13 PM



Table of Contents

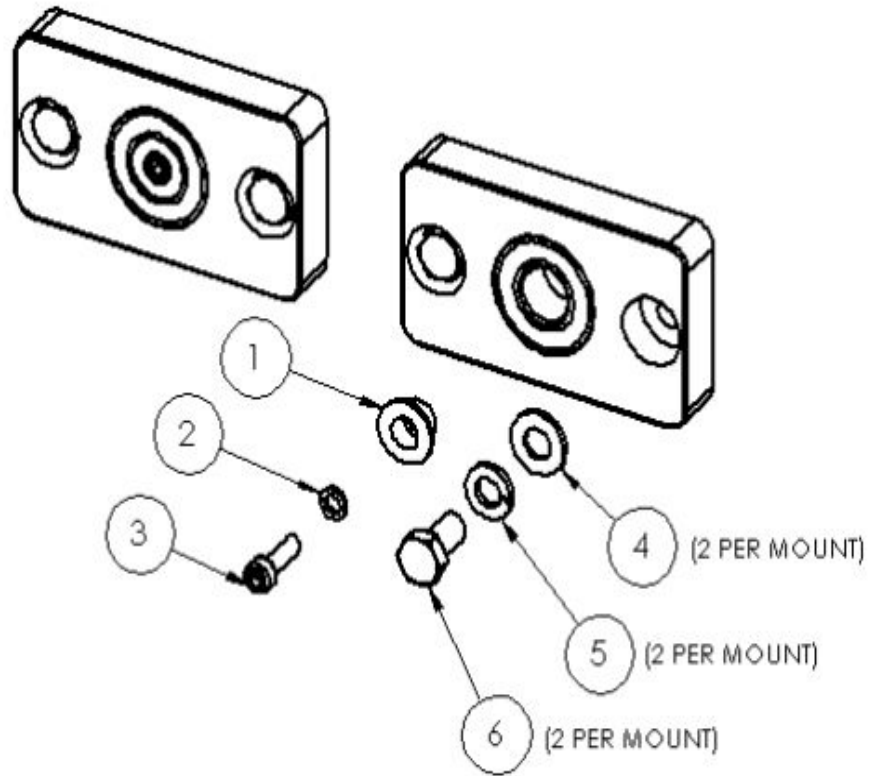
Bearing Mount Bi Directional Assembly.....	3
Bearing Mount Jack Shaft Assembly.....	4
Belt Poly-V.....	5
Bracket Support Console.....	6
Lower Board And Wires - Post 5-2013.....	7
Lower Board And Wires - Pre 5-2013.....	8
PRO Standard Gray Handle Crank Assembly.....	9
PRO1000 Base Assembly.....	10
PRO1000 Covers Assembly Charcoal.....	11
PRO1000 Foot Rest.....	12
PRO1000 Handle Left Adjustable Crank Assembly.....	13
PRO1000 Handle Right Adjustable Crank Assembly.....	14
PRO1000 Idler Assembly.....	15
PRO1000 Spindle Crank.....	16
PRO1000 43 Chain Long Assembly.....	17
PRO1000 43 Chain Short Assembly.....	18
Seat, Fixed, Low Back, Sport Assembly 670-007741 - 670-009624.....	19
Seat, Standard 670-009633 to Current.....	20
Spindle Bearing Drive Assembly.....	21
43 Sprocket Bi Directional Assembly.....	22
43 Sprocket Jack Shaft Pulley Assembly.....	23

Bearing Mount Bi Directional Assembly



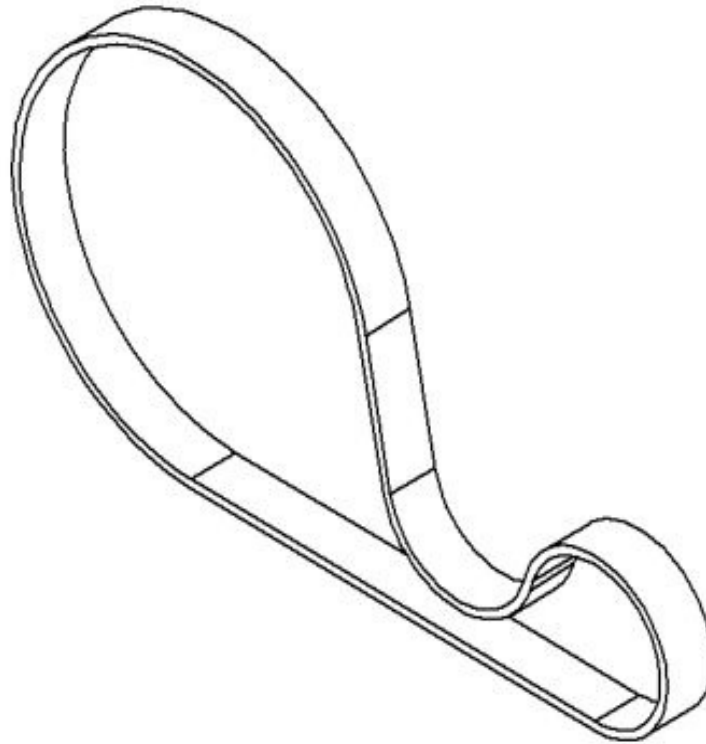
Ref #	Part Number	Qty	Description
1	A1972	2	Washer Retain. Bearing Recess
2	33614	2	#10 Zinc Split L/W
3	93165	2	#10-32 x 5/8" Zinc SCS
4	33080	4	5/16" Zinc F/W
5	33892	4	5/16" Yellow Zinc Split L/W
6	13052	4	5/16"-18 x 5/8" Zinc HCS
-	S4748	1	Kit (1pr.) Bearing Mount Bi-

Bearing Mount Jack Shaft Assembly



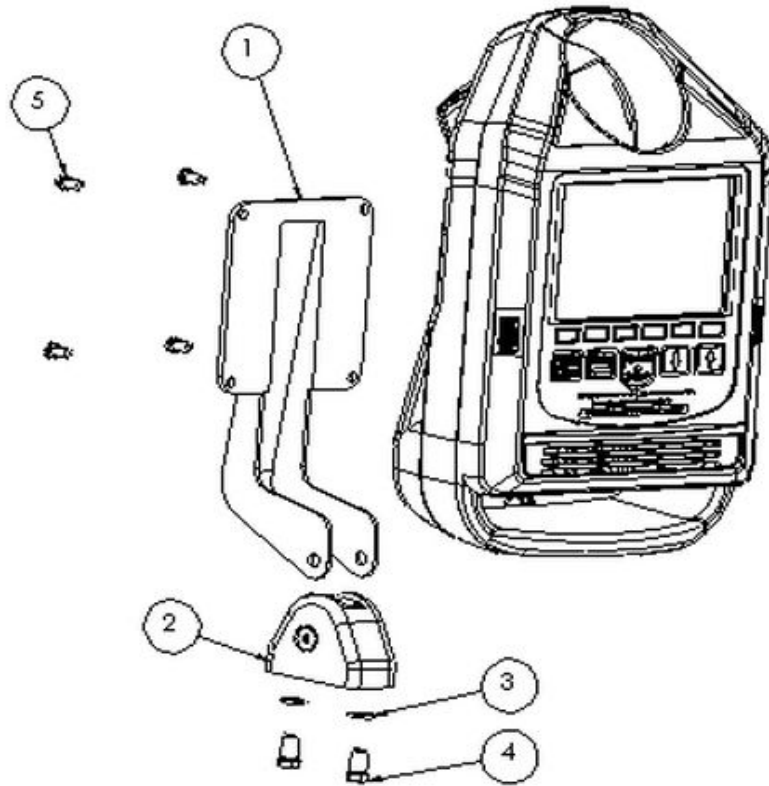
Ref #	Part Number	Qty	Description
1	A1972	2	Washer Retain. Bearing Recess
2	33614	2	#10 Zinc Split L/W
3	93165	2	#10-32 x 5/8" Zinc SCS
4	33080	4	5/16" Zinc F/W
5	33892	4	5/16" Yellow Zinc Split L/W
6	13052	4	5/16"-18 x 5/8" Zinc HCS
-	S4747	1	Kit (1 pr) Bearing Mount Jac

Belt Poly-V



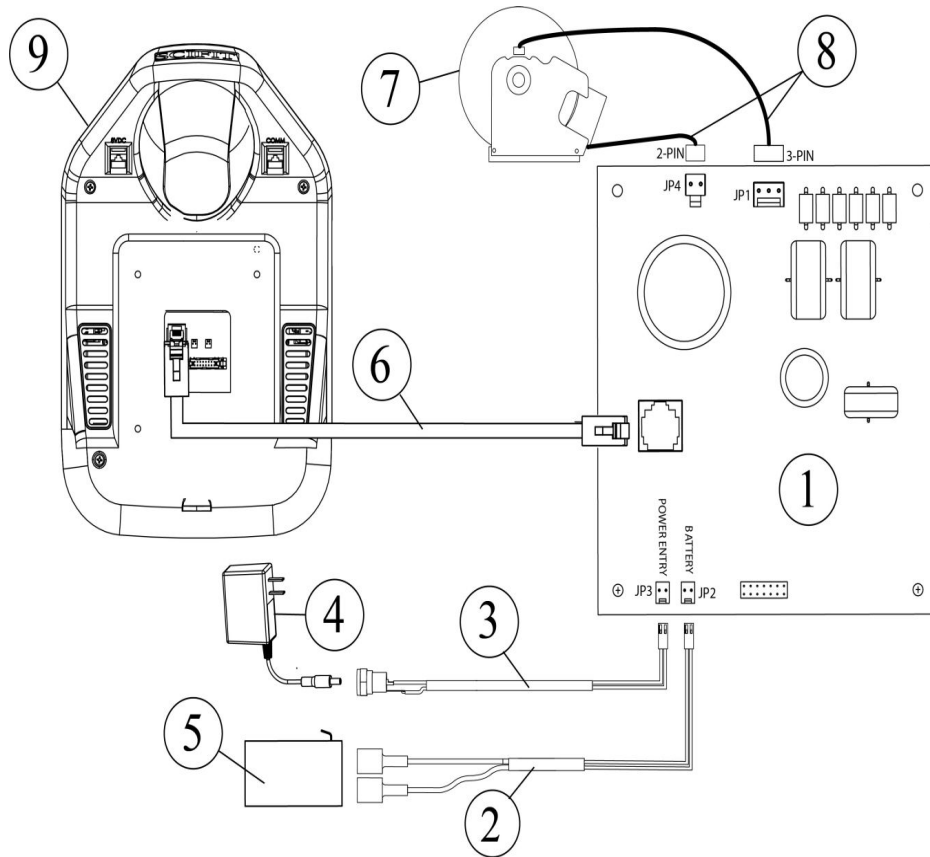
Ref #	Part Number	Qty	Description
1	P1664	1	Belt Poly-V J8 310

Bracket Support Console



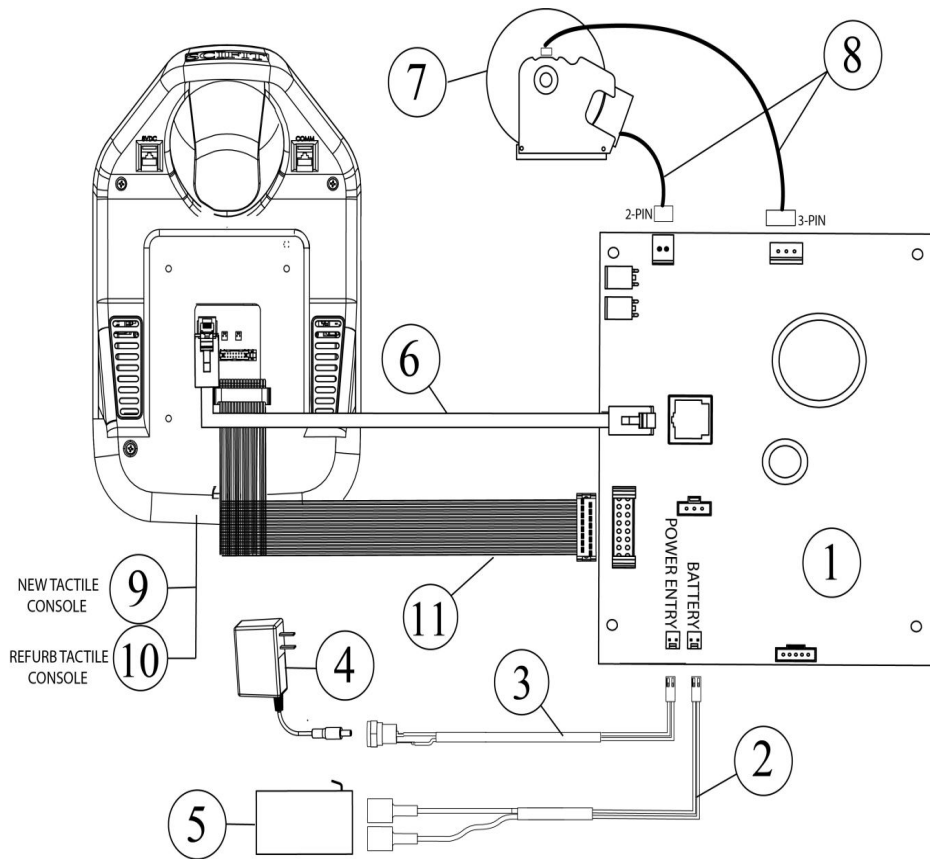
Ref #	Part Number	Qty	Description
1	A4659	1	DISPLAY ADJ PRO LCD V2
2	S5791	1	Kit Quadrant W/HW Post 4/13 PR
3	33892	2	5/16" Yellow Zinc Split L/W
4	13052	2	5/16"-18 x 5/8" Zinc HCS
5	10537-09060	4	Screw M5 x 12mm Phil Black Zinc

Lower Board And Wires - Post 5-2013



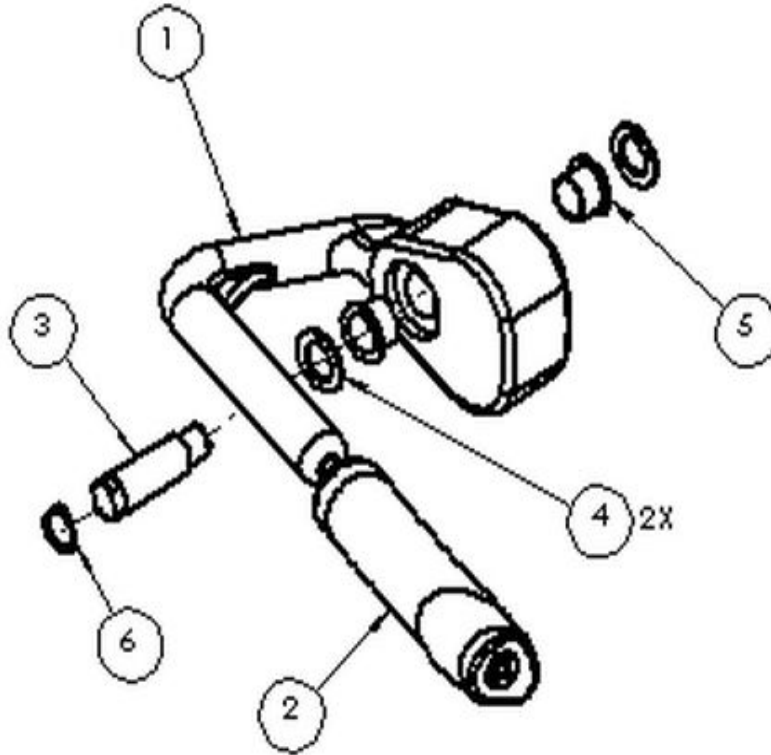
Ref #	Part Number	Qty	Description
1	A5361	1	Kit A5005 W/Mounting Bracket
2	P1833	1	Cable Battery Cordless
3	P3307	1	Cable Power Entry PRO
4	P4861	1	SCIFIT POWER SUPPLY AC ADAPTER WALL PACK 18V
5	P1564	1	Battery Rechargeable Cordless
6	P4741	1	Cable Comm 50" Intelli PRO2/10
7	S3611	1	Kit Brake Cordless PRO w/o Bra
8	S4454	1	CABLES IND. BRAKE 3 & 2 PIN
9	LCD-EN-01	1	SCIFIT LCD Console English
9	LCD-EN-01	1	SCIFIT LCD Console English
9	LCD-EN-01	1	SCIFIT LCD Console English
9	LCD-EN-01	1	SCIFIT LCD Console English
9	LCD-EN-01	1	SCIFIT LCD Console English
9	LCD-EN-01	1	SCIFIT LCD Console English
9	LCD-EN-01	1	SCIFIT LCD Console English
9	LCD-EN-01	1	SCIFIT LCD Console English
9	LCD-EN-01	1	SCIFIT LCD Console English
9	LCD-EN-01	1	SCIFIT LCD Console English
9	LCD-EN-01	1	SCIFIT LCD Console English

Lower Board And Wires - Pre 5-2013



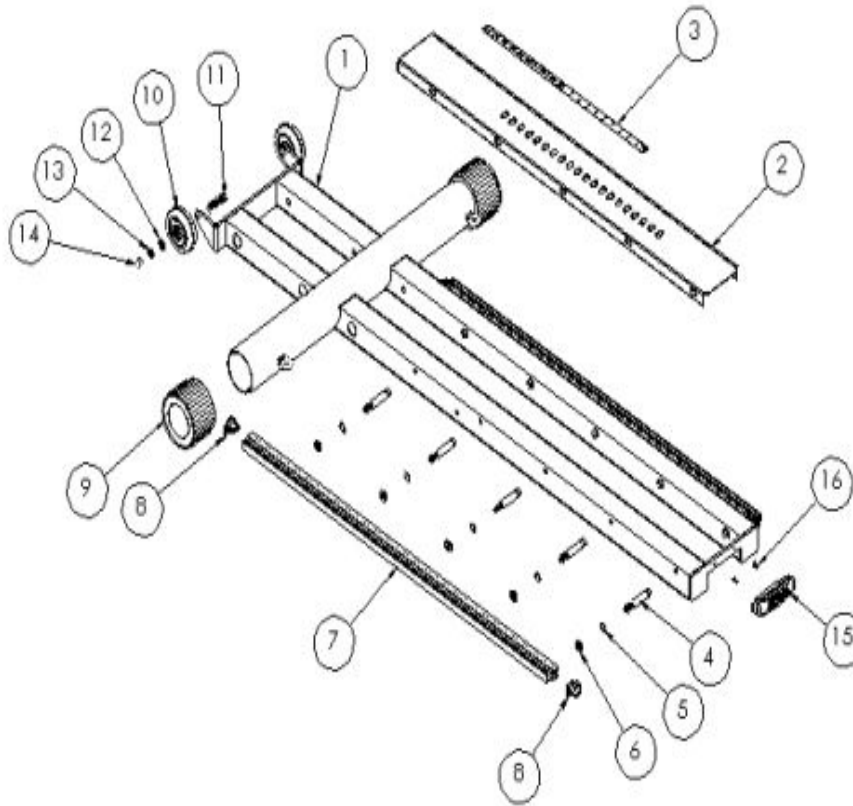
Ref #	Part Number	Qty	Description
1	S6189	1	Kit A5361 W/Tactile Firm PRE 5
2	P1833	1	Cable Battery Cordless
3	P3307	1	Cable Power Entry PRO
4	P4861	1	SCIFIT POWER SUPPLY AC ADAPTER WALL PACK 18V
5	P1564	1	Battery Rechargable Cordless
6	P4741	1	Cable Comm 50" Intelli PRO2/10
7	S3611	1	Kit Brake Cordless PRO w/o Bra
8	S4454	1	CABLES IND. BRAKE 3 & 2 PIN
9	S5195	1	Kit A4604/Strain Relief.Wirele
10	S5196R	1	Kit A4604R/Strain Relief.Wirel
11	A5190	1	Cable Assy Display 79" V2

PRO Standard Gray Handle Crank Assembly



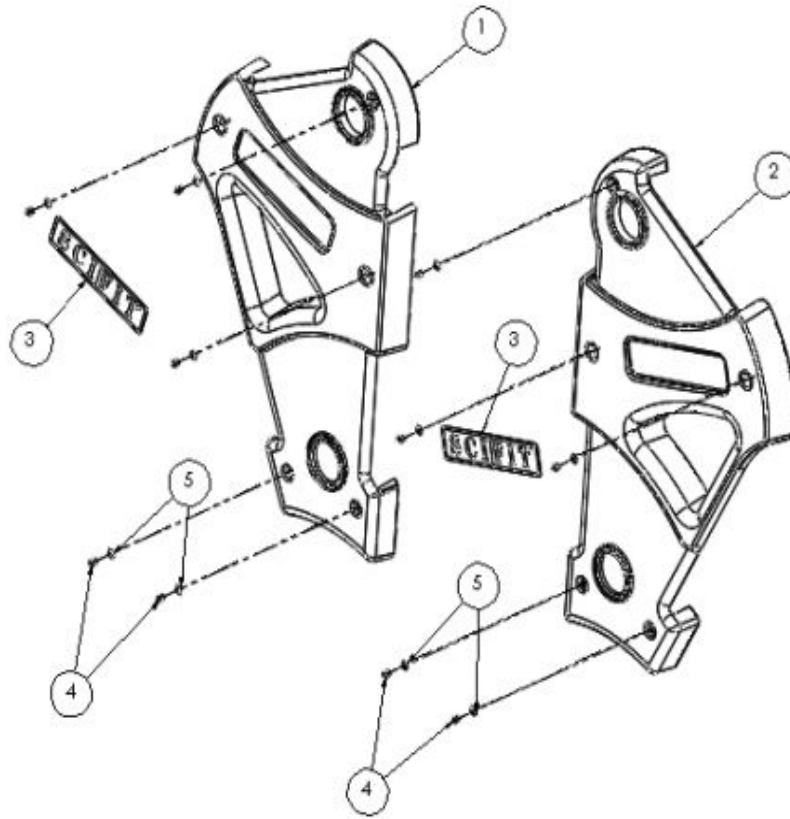
Ref #	Part Number	Qty	Description
1	A1993	1	NLA: Handle Handcrank PRO
2	P4610	1	GRIP HANDLE HANDCRANK PRO V2
3	A2534	1	Shaft Handcrank
4	A1591	2	Washer IGUS Handcrank Modified
5	P1173	2	Brg. Flnged IGUS 5/8 Handc
6	68013	1	Snap Ring .588 ID x .035THK
-	S4863	1	KIT ASSY HANDCRANK PRO V2

PRO1000 Base Assembly



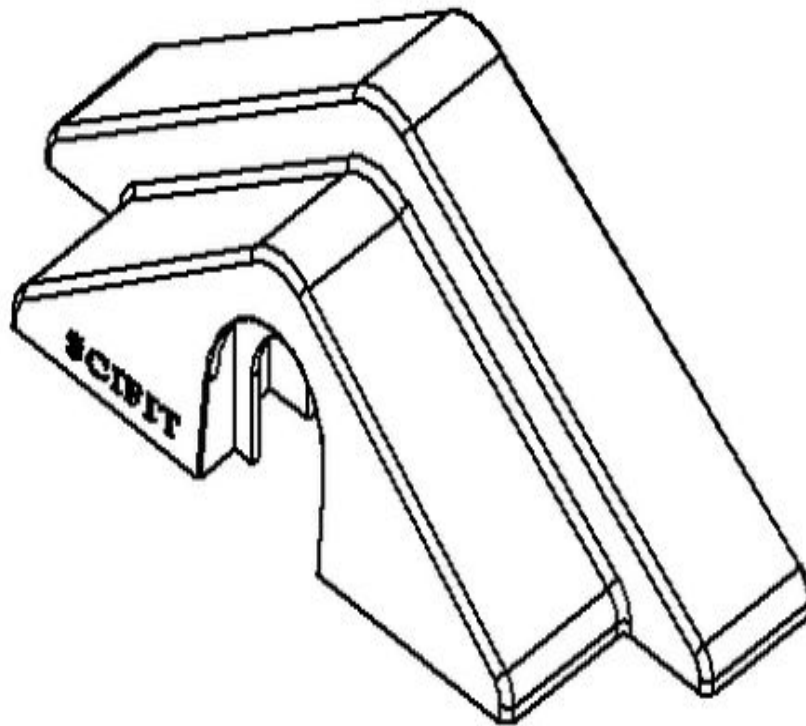
Ref #	Part Number	Qty	Description
1	C3240-CH	1	Frame Base PRO Charcoal
2	A3241	1	Track Adj. SS PRO Monocoque
3	P1982	1	Decal Number 1" Spacing 1- 20
4	13064	10	5/16"-18 x 2-3/4" Zinc HCS
5	33712	10	5/16" Zinc Internal Tooth L/W
6	37622	10	5/16"-18 Zinc Square Nut
7	A3299	2	Extrusion Rail Roller 37.5" PR
8	A5215	4	Endcap Cover Extrusion Rail
9	A1890	2	Cap Base 3" Adj. 65 Durometer
10	P2144	2	Wheel Front PRO II
11	73783	2	5/16"-18 x 1-3/4" Stnlss BSCS
12	33080	2	5/16" Zinc F/W
13	33892	2	5/16" Yellow Zinc Split L/W
14	70961	2	5/16"-18 Stnlss Stl Acorn Nut
15	A5449	1	HANDLE LIFT STEP 1
16	0142859	2	KIT:6 X 5/8 ZINC PHLLPS PH PLSTC S

PRO1000 Covers Assembly Charcoal



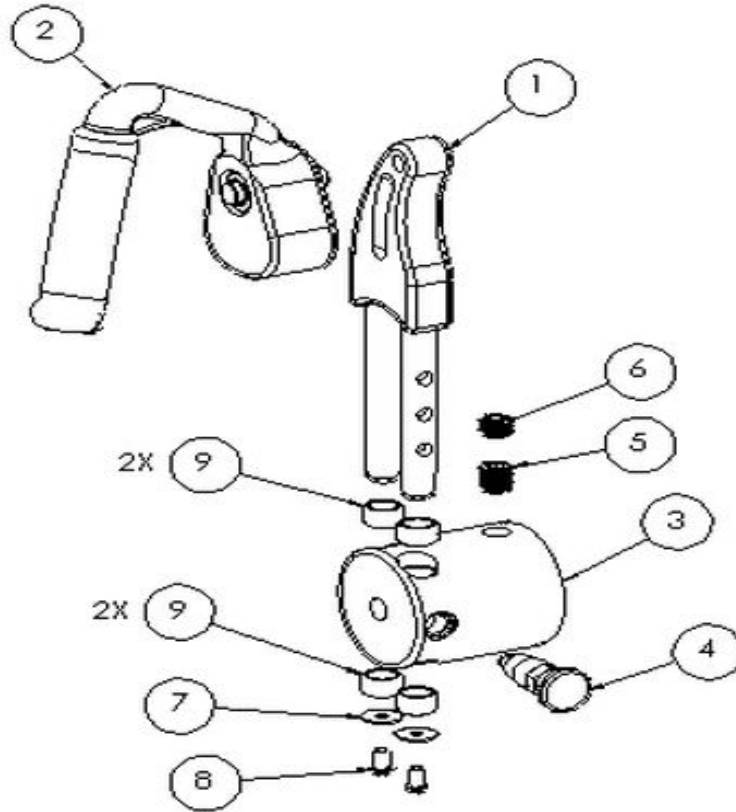
Ref #	Part Number	Qty	Description
1	A3227	1	Kit Cover Left PRO 2 Monocoque
2	A3228	1	Kit Cover Right PRO 2 Monocoqu
3	P1100	2	DECAL SCIFIT 2.75 X 12
4	11252705	10	10-32 x 1/2 BLZ PPMS
5	P1921	10	Washer cover plastic

PRO1000 Foot Rest



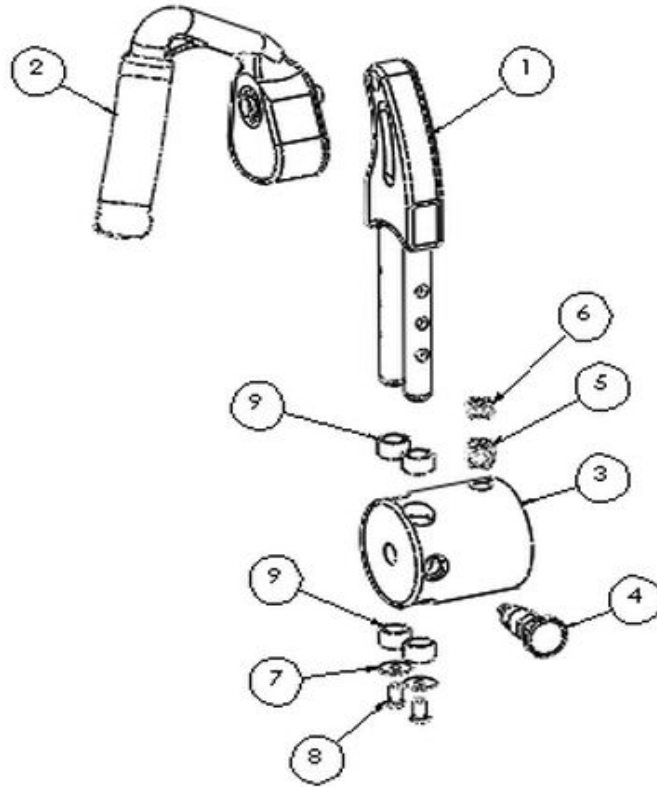
Ref #	Part Number	Qty	Description
1	A2286	2	Footrest Molded PRO

PRO1000 Handle Left Adjustable Crank Assembly



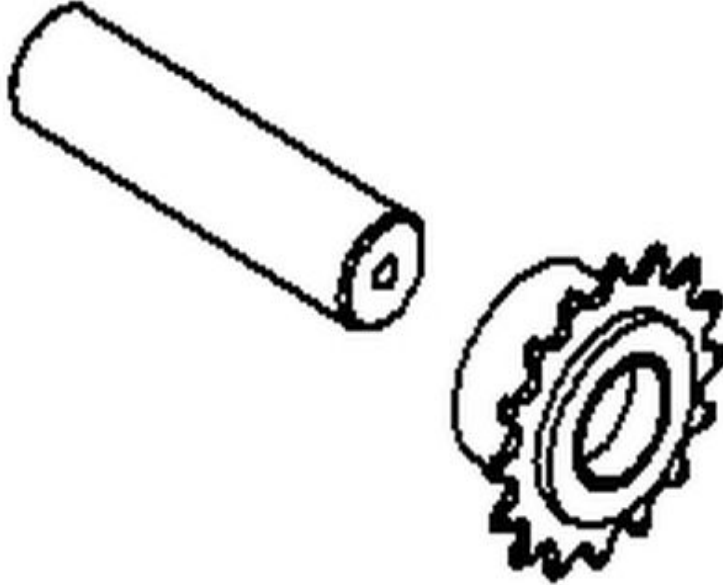
Ref #	Part Number	Qty	Description
1	A1869	1	Assy. Crank Upper Left
2	S4863	1	KIT ASSY HANDCRANK PRO V2
3	A3781	1	Assy. Hub Crank PRO Upper
4	A5380	1	Assy Pop-Pin Hub Flange Knob
5	P3111	1	Screw Set Socket Point Flat 5/8-18 x .75
6	P3110	1	Screw Set Socket Point Flat 5/8-18 x .5
7	10537-08370	2	.25 ID x .835 OD F/W
8	94049	2	1/4"-20 x 1/2" Zinc BSCS
9	P5174	4	Bushing IGUS Hub MSI-1012-08 P
10	P1756	1	Bearing Iigus rod handcrank
11	A1591	1	Washer IGUS Handcrank Modified

PRO1000 Handle Right Adjustable Crank Assembly



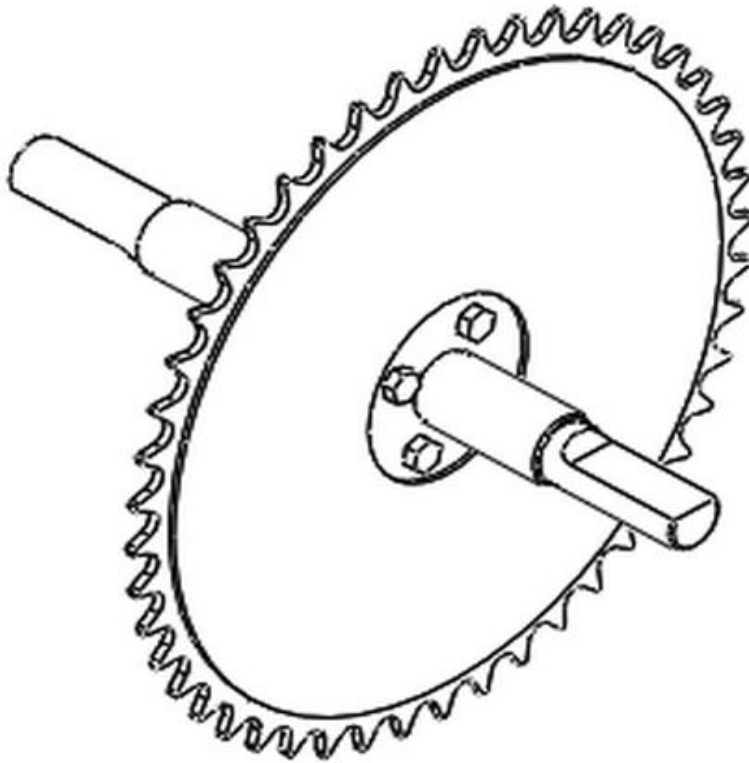
Ref #	Part Number	Qty	Description
1	A1870	1	Assy. Crank Upper Right
2	S4863	1	KIT ASSY HANDCRANK PRO V2
3	A3781	1	Assy. Hub Crank PRO Upper
4	A5380	1	Assy Pop-Pin Hub Flange Knob
5	P3111	1	Screw Set Socket Point Flat 5/8-18 x .75
6	P3110	1	Screw Set Socket Point Flat 5/8-18 x .5
7	10537-08370	2	.25 ID x .835 OD F/W
8	94049	2	1/4"-20 x 1/2" Zinc BSCS
9	P5174	4	Bushing IGUS Hub MSI-1012-08 P
10	P1756	1	Bearing Igus rod handcrank
11	A1591	1	Washer IGUS Handcrank Modified

PRO1000 Idler Assembly



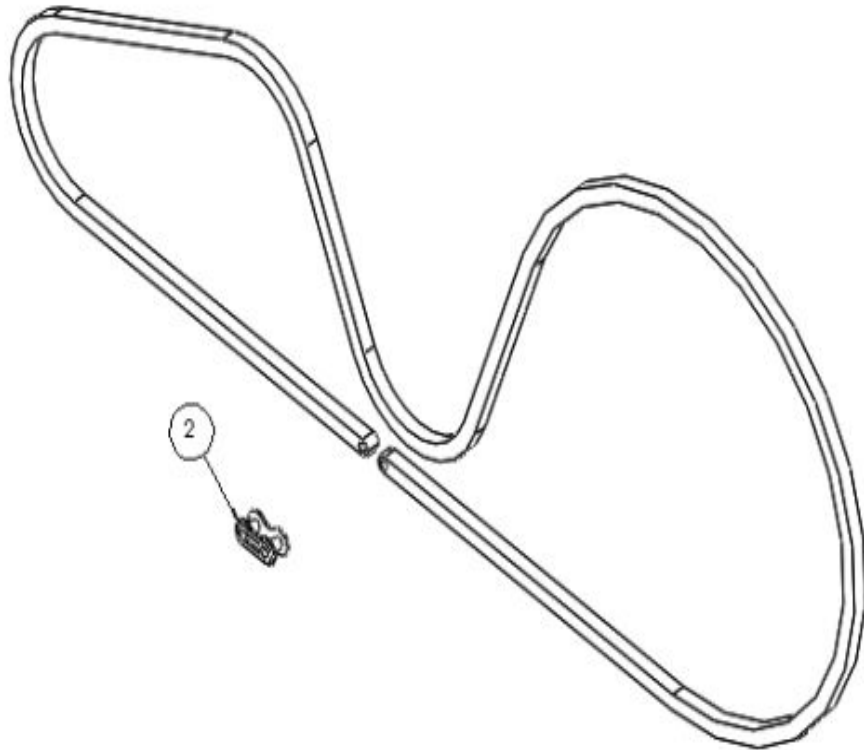
Ref #	Part Number	Qty	Description
-	A3447	2	Kit Idler Chain Assy.PRO

PRO1000 Spindle Crank



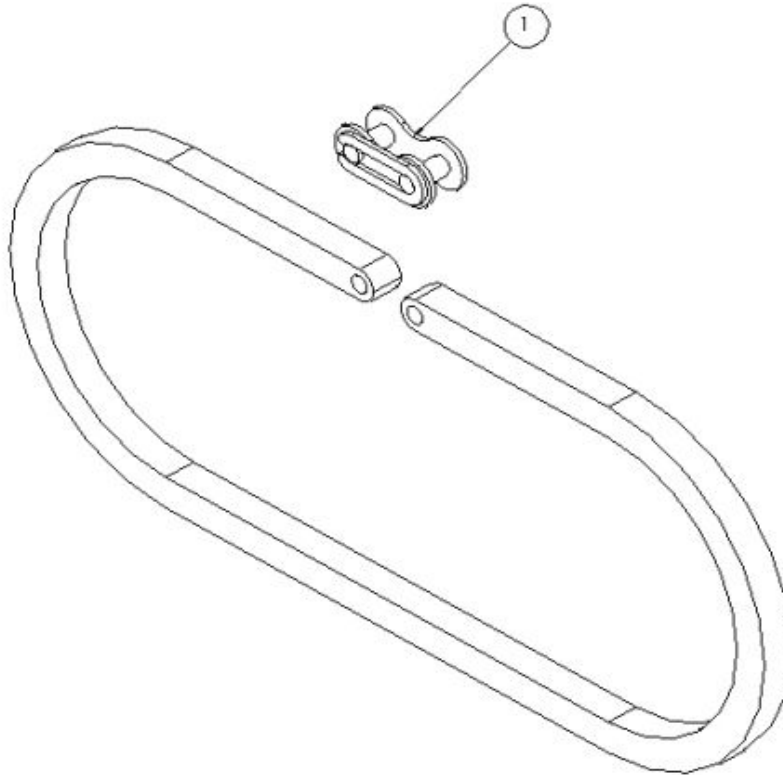
Ref #	Part Number	Qty	Description
-	A3797	1	KIT PRO SPINDLE ASSY #43 CHAIN

PRO1000 43 Chain Long Assembly



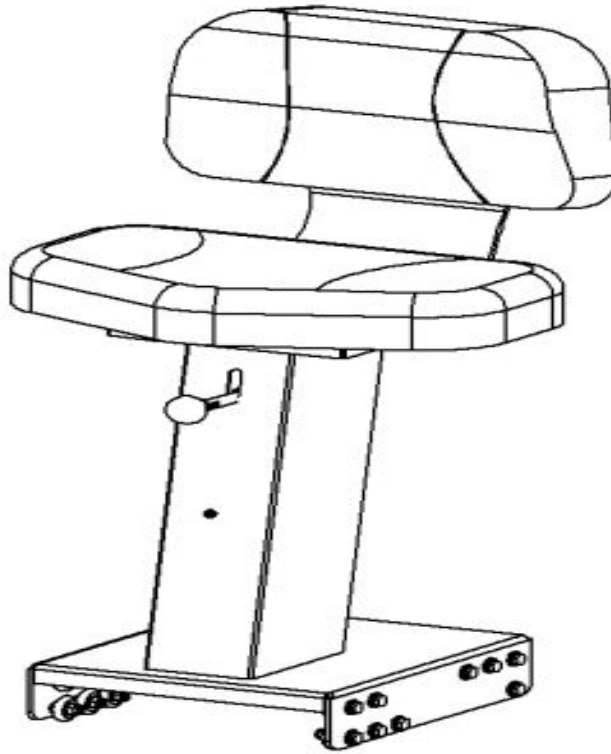
Ref #	Part Number	Qty	Description
1	P2234	1	Link Master Chain #43
-	A3455	1	Kit Chain Long #43 90P 44" PRO

PRO1000 43 Chain Short Assembly



Ref #	Part Number	Qty	Description
1	P2234	1	Link Master Chain #43
-	A3456	1	Chain kit PRO100's (Short) #43 32P 16"

Seat, Fixed, Low Back, Sport Assembly
670-007741 - 670-009624



PLEASE SEE: S3190-CH

Ref #	Part Number	Qty	Description
-	S3190-CH	1	Kit,Seat,Fixed LB,PRO,Charcoal

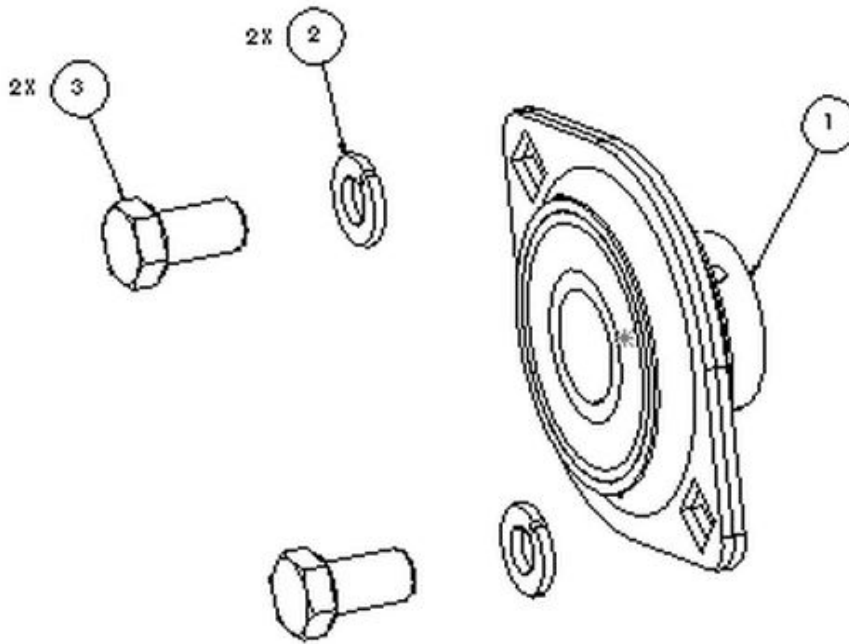
Seat, Standard 670-009633 to Current



PLEASE SEE: STND-SEAT-01

Ref #	Part Number	Qty	Description
-	STND-SEAT-01	1	SCIFIT Standard Seat

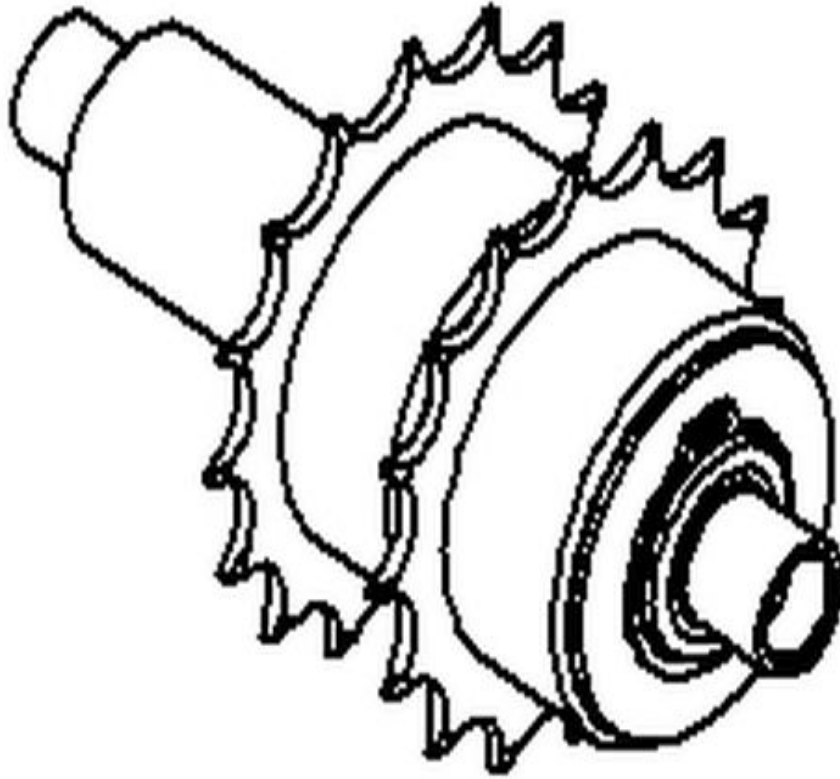
Spindle Bearing Drive Assembly



2X SETS REQUIRED PER UNIT

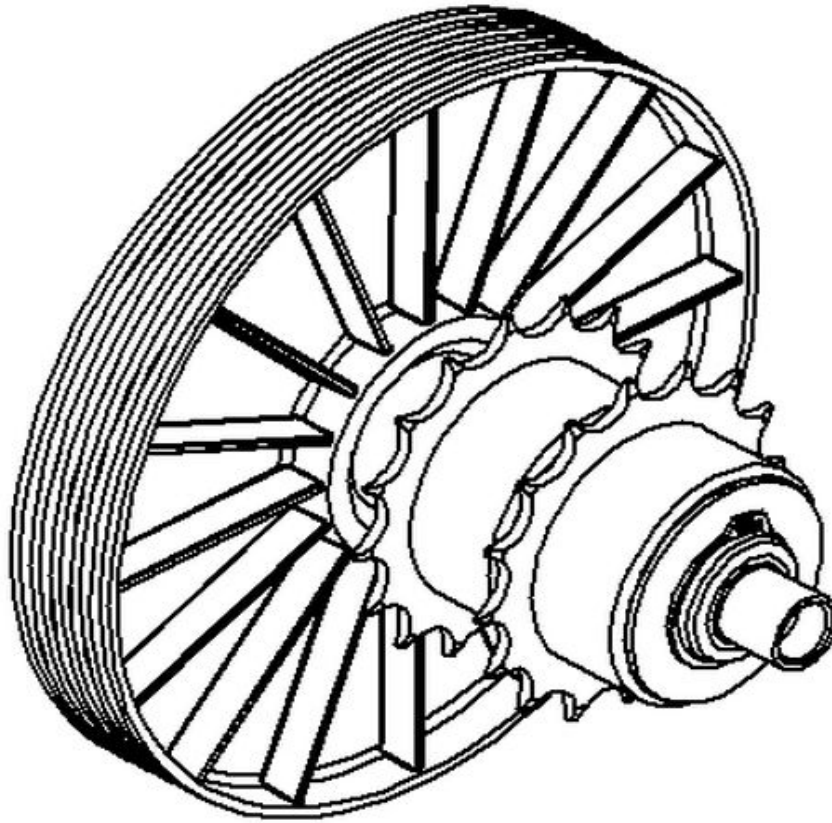
Ref #	Part Number	Qty	Description
1	P1096	1	Bearing Spindle Drive SB204-12
2	33892	2	5/16" Yellow Zinc Split L/W
3	13052	2	5/16"-18 x 5/8" Zinc HCS

43 Sprocket Bi Directional Assembly



Ref #	Part Number	Qty	Description
-	A3589	1	Kit Bi-Direct. Assy #43 PRO

43 Sprocket Jack Shaft Pulley Assembly



Ref #	Part Number	Qty	Description
-	A3588	1	Kit Shaft Jack Conversion Mono

