

SCIFIT PRO1

PRO117-INT

Parts Manual

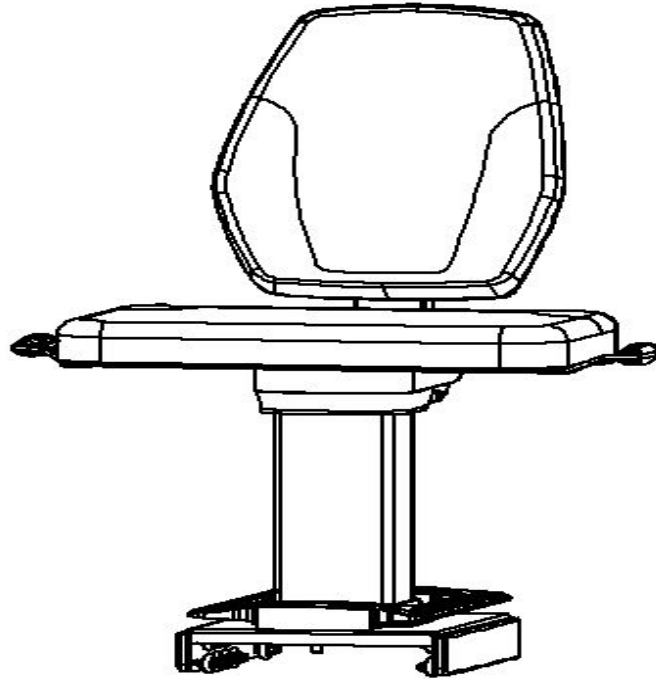
1/17/2019 12:26:58 PM



Table of Contents

Bariatric Seat 610-013785 - Current.....	3
Base Assembly PRO1.....	4
Bearing Mount Bi Directional Assembly.....	5
Bearing Mount Jack Shaft Assembly.....	6
Belt Poly-V.....	7
Bracket Support Console.....	8
Brake Assembly PRO1.....	9
Cable Pull Assembly PRO1.....	10
Chain 40 Long Assembly PRO1.....	11
Chain 40 Short Assembly PRO1.....	12
Covers Assembly Charcoal PRO1.....	13
Covers Assembly White PRO1.....	14
Crank Adjustable Left Assembly PRO1.....	15
Crank Adjustable Right Assembly PRO1.....	16
Foot Rest PRO1.....	17
Gas Shock Assembly PRO1.....	18
Handle Crank Standard Gray Assembly PRO.....	19
Idler Assembly PRO1.....	20
Lower Board And Wires PRO102 Post - 5-2013.....	21
Lower Board And Wires PRO102 Pre - 5-2013.....	22
PRO Bucket Bariatric Seat Assembly - 610-000001 - 610-013528.....	23
PRO Bucket Bariatric Seat Assembly - 610-013679 - 610-013784.....	24
Spindle Bearing Drive Assembly.....	25
Spindle Sprocket Assembly PRO1.....	26
Sprocket 40 Bi Directional Assembly PRO1.....	27
Sprocket 40 Jackshaft Pulley Assembly PRO1.....	28

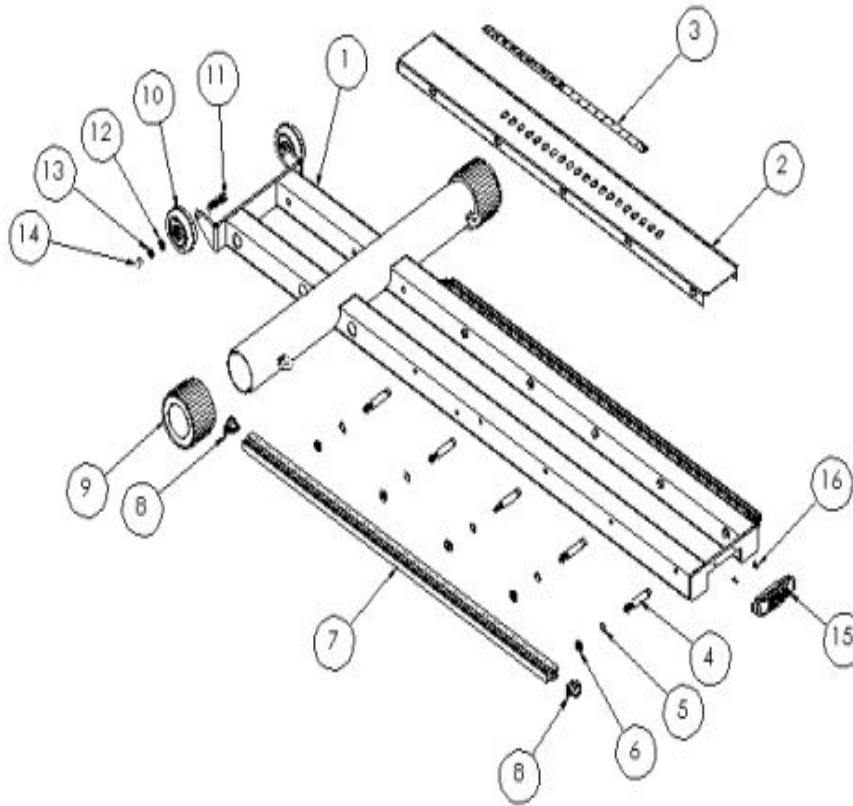
Bariatric Seat 610-013785 - Current



PLEASE SEE: BARI-SEAT-01

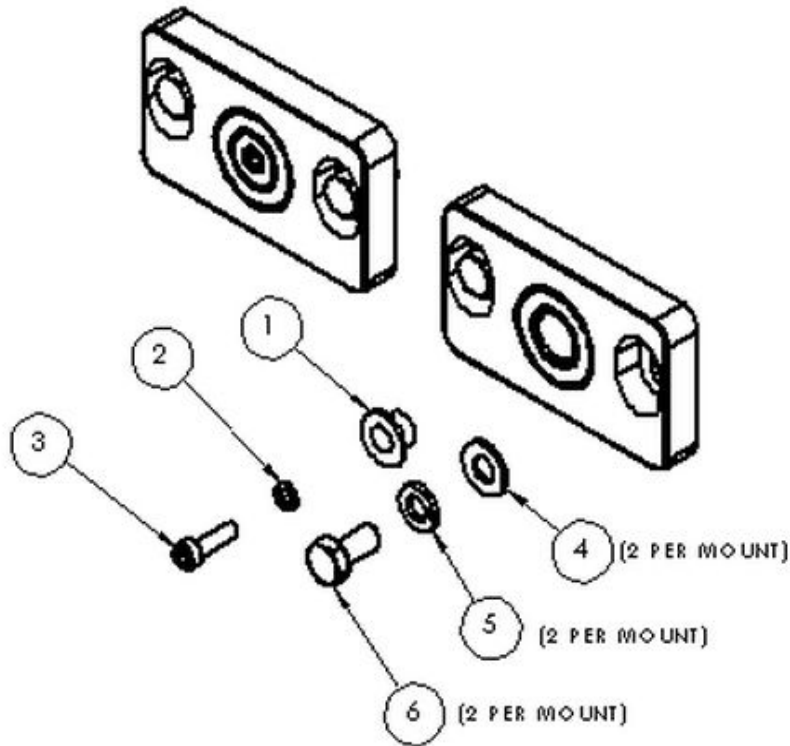
Ref #	Part Number	Qty	Description
1	BARI-SEAT-01	1	SCIFIT Bariatric Seat

Base Assembly PRO1



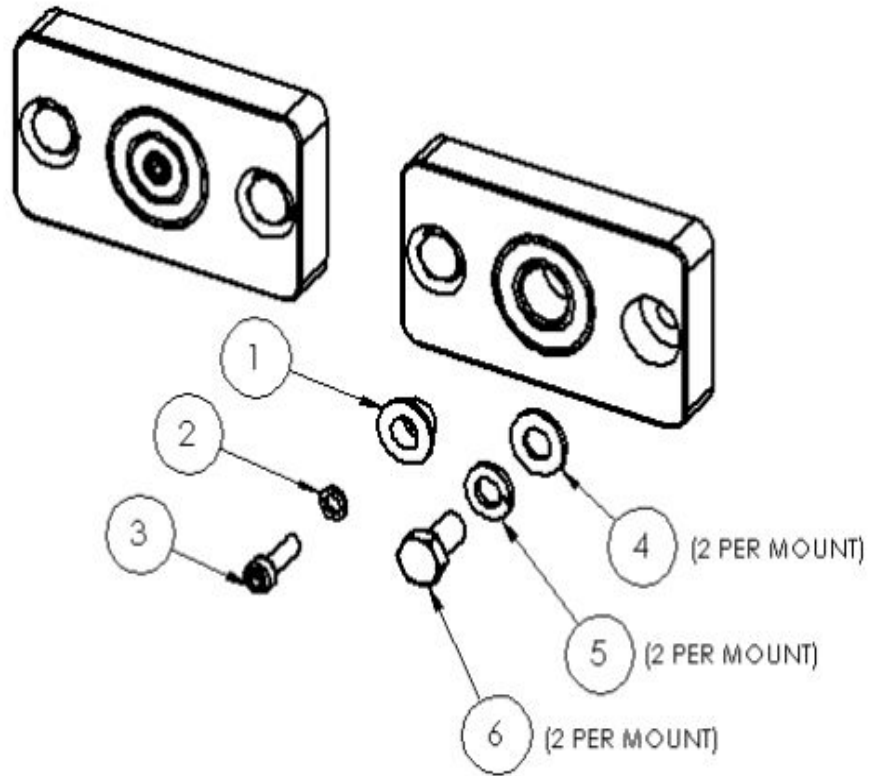
Ref #	Part Number	Qty	Description
1	C3240-CH	1	Frame Base PRO Charcoal
2	A1114	1	Track Adjustment SST PRO
3	P1982	1	Decal Number 1" Spacing 1- 20
4	13064	10	5/16"-18 x 2-3/4" Zinc HCS
5	33712	10	5/16" Zinc Internal Tooth L/W
6	37622	10	5/16"-18 Zinc Square Nut
7	A3299	2	Extrusion Rail Roller 37.5" PR
8	A5215	4	Endcap Cover Extrusion Rail
9	A1890	2	Cap Base 3" Adj. 65 Durometer
10	P2144	2	Wheel Front PRO II
11	73783	2	5/16"-18 x 1-3/4" Stnlss BSCS
12	33080	2	5/16" Zinc F/W
13	33892	2	5/16" Yellow Zinc Split L/W
14	70961	2	5/16"-18 Stnlss Stl Acorn Nut
15	A5449	1	HANDLE LIFT STEP 1
16	0142859	2	KIT:6 X 5/8 ZINC PHLLPS PH PLSTC S

Bearing Mount Bi Directional Assembly



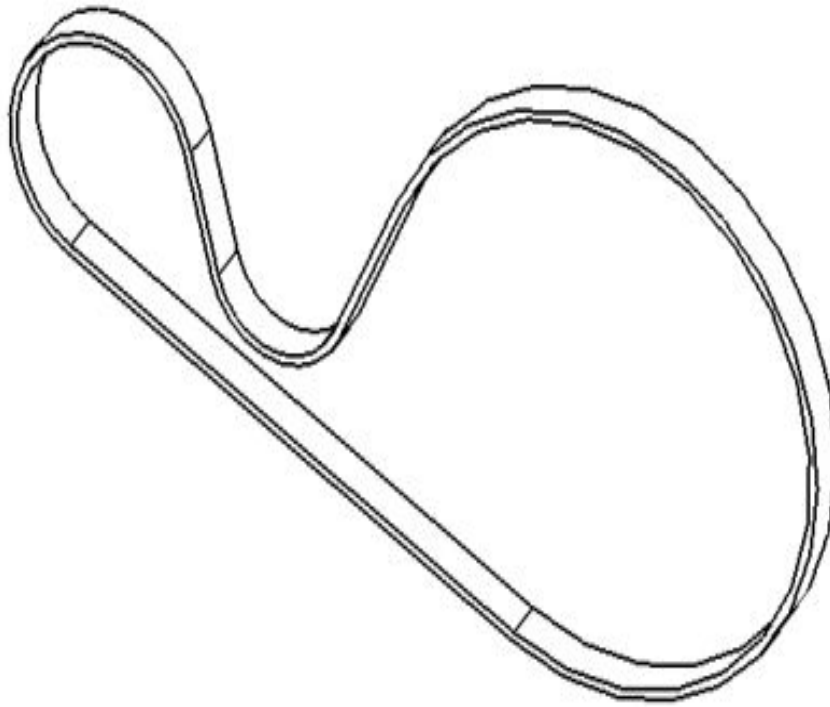
Ref #	Part Number	Qty	Description
1	A1972	2	Washer Retain. Bearing Recess
2	33614	2	#10 Zinc Split L/W
3	93165	2	#10-32 x 5/8" Zinc SCS
4	33080	4	5/16" Zinc F/W
5	33892	4	5/16" Yellow Zinc Split L/W
6	13052	4	5/16"-18 x 5/8" Zinc HCS
-	S4748	1	Kit (1pr.) Bearing Mount Bi-

Bearing Mount Jack Shaft Assembly



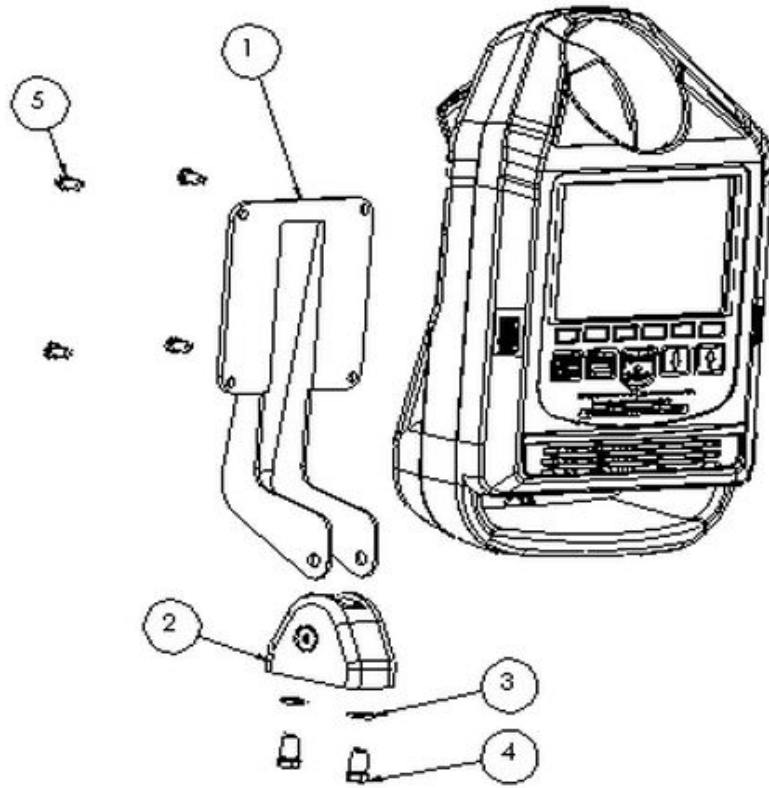
Ref #	Part Number	Qty	Description
1	A1972	2	Washer Retain. Bearing Recess
2	33614	2	#10 Zinc Split L/W
3	93165	2	#10-32 x 5/8" Zinc SCS
4	33080	4	5/16" Zinc F/W
5	33892	4	5/16" Yellow Zinc Split L/W
6	13052	4	5/16"-18 x 5/8" Zinc HCS
-	S4747	1	Kit (1 pr) Bearing Mount Jac

Belt Poly-V



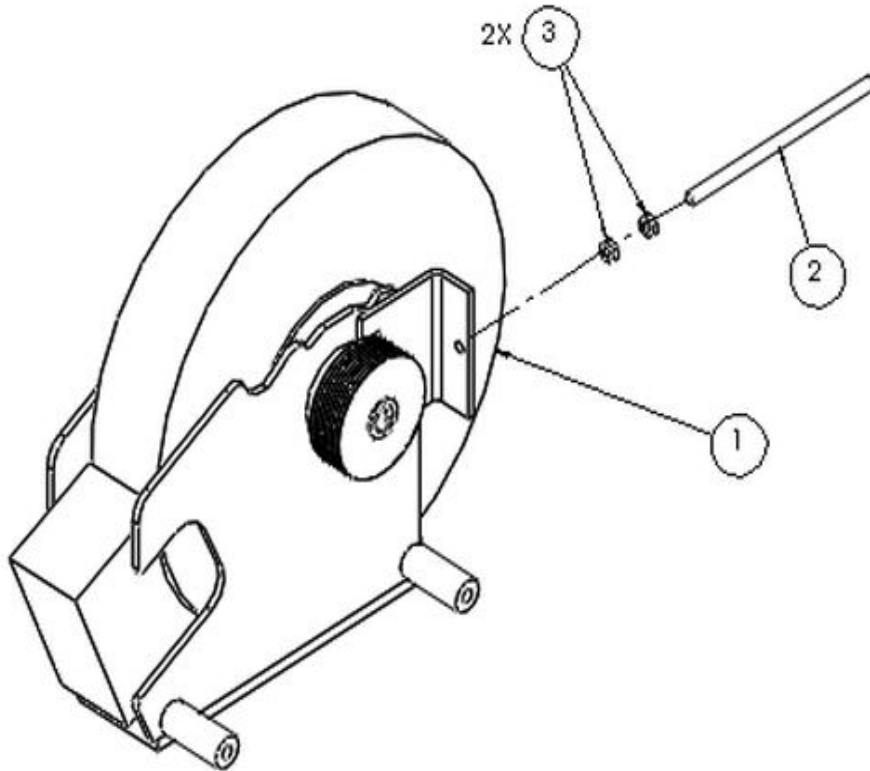
Ref #	Part Number	Qty	Description
1	P3594	1	Belt Poly-V J6-310

Bracket Support Console



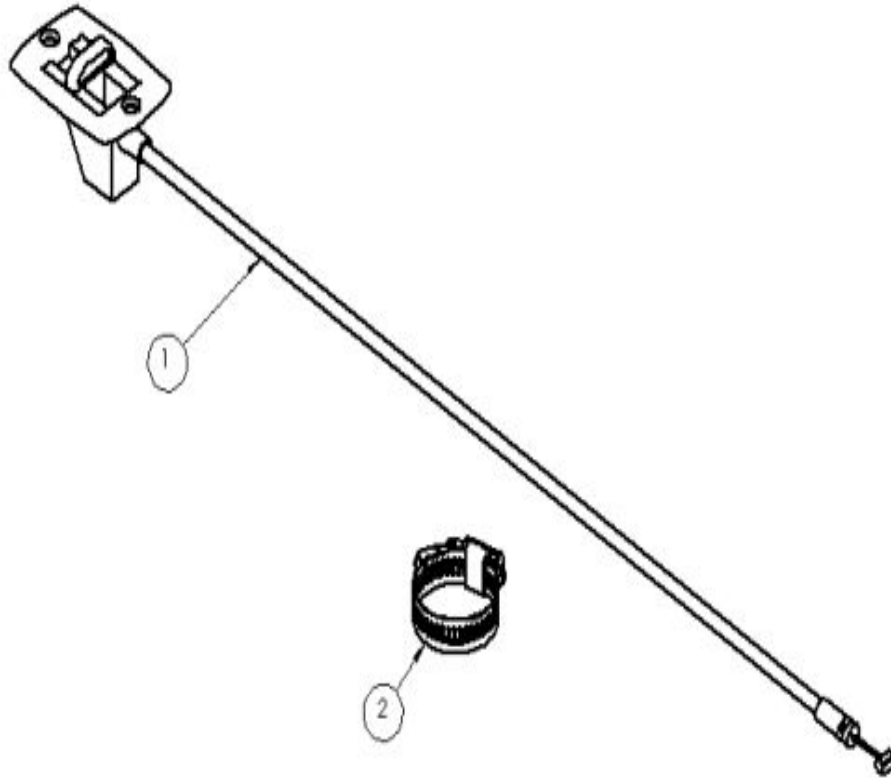
Ref #	Part Number	Qty	Description
1	A4659	1	DISPLAY ADJ PRO LCD V2
2	S5791	1	Kit Quadrant W/HW Post 4/13 PR
3	33892	2	5/16" Yellow Zinc Split L/W
4	13052	2	5/16"-18 x 5/8" Zinc HCS
5	10537-09060	4	Screw M5 x 12mm Phil Black Zinc

Brake Assembly PRO1



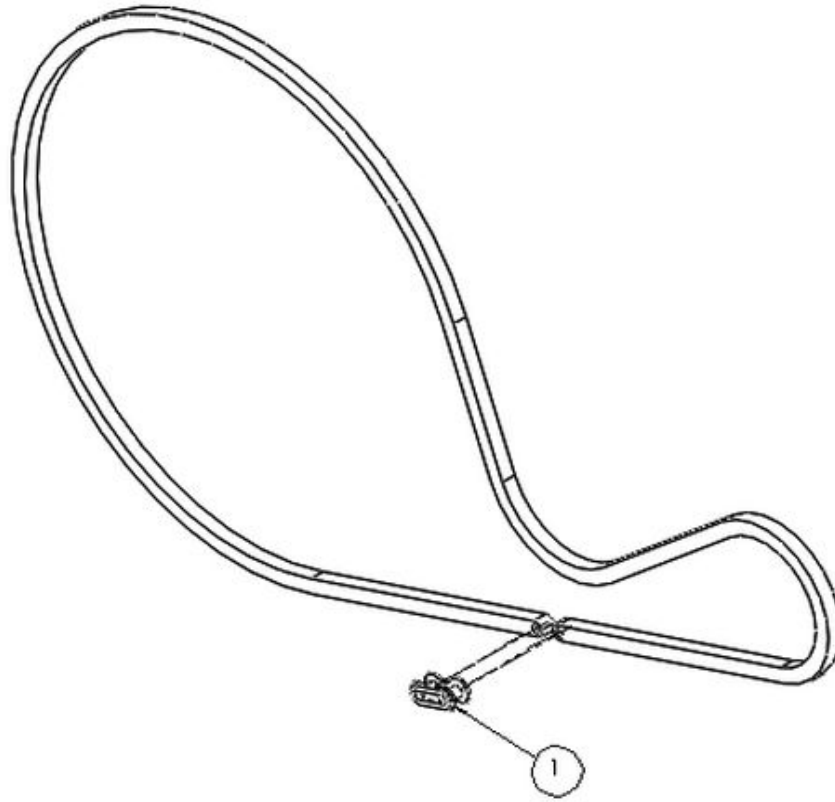
Ref #	Part Number	Qty	Description
1	S1906	1	Kit Brake w/60mm Pulley Bikes
2	P2520	1	Rod Tensioning 5" #10-32 UNF THD
3	36030	2	10-32 Zinc Machine Screw Nut

Cable Pull Assembly PRO1



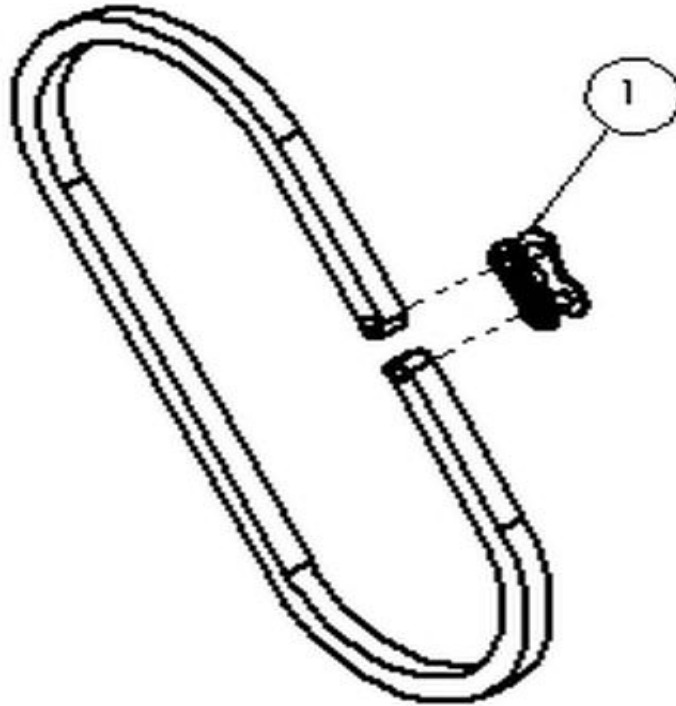
Ref #	Part Number	Qty	Description
1	P2039	1	Actuator Pull Cable Assy.
2	0427612	1	KIT:CLAMP, HOSE, 20 3/4" X 1 3/4 WIDE
-	S4464	1	KIT ACTUATOR PULL CBL/HOSE CLA

Chain 40 Long Assembly PRO1



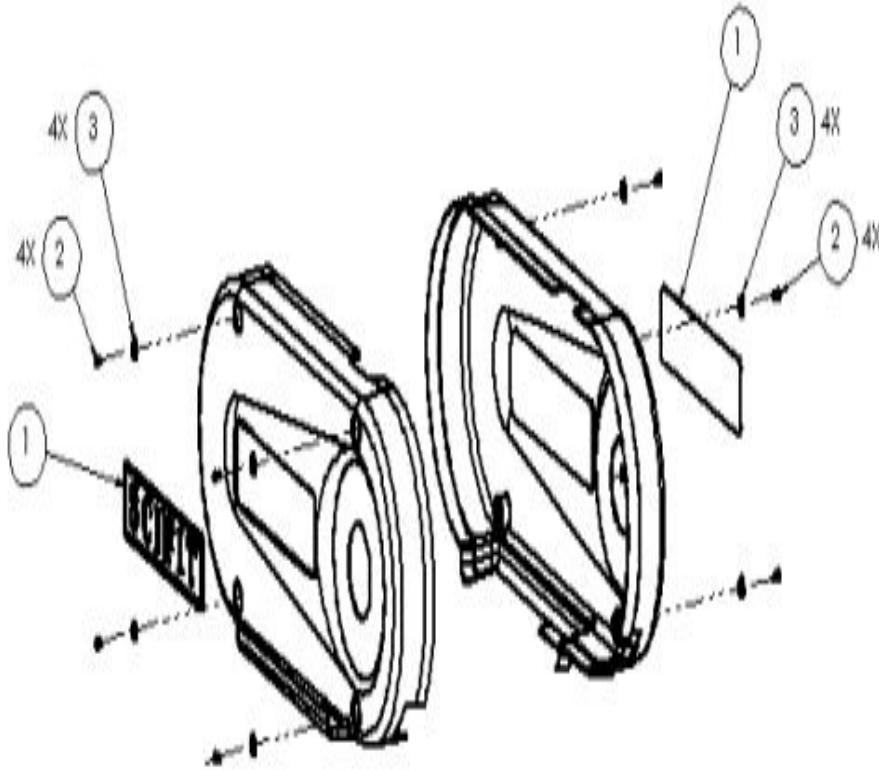
Ref #	Part Number	Qty	Description
1	P2379	1	Link master chain #40
-	A3119	1	Kit Chain Long #40 86P ISO7000

Chain 40 Short Assembly PRO1



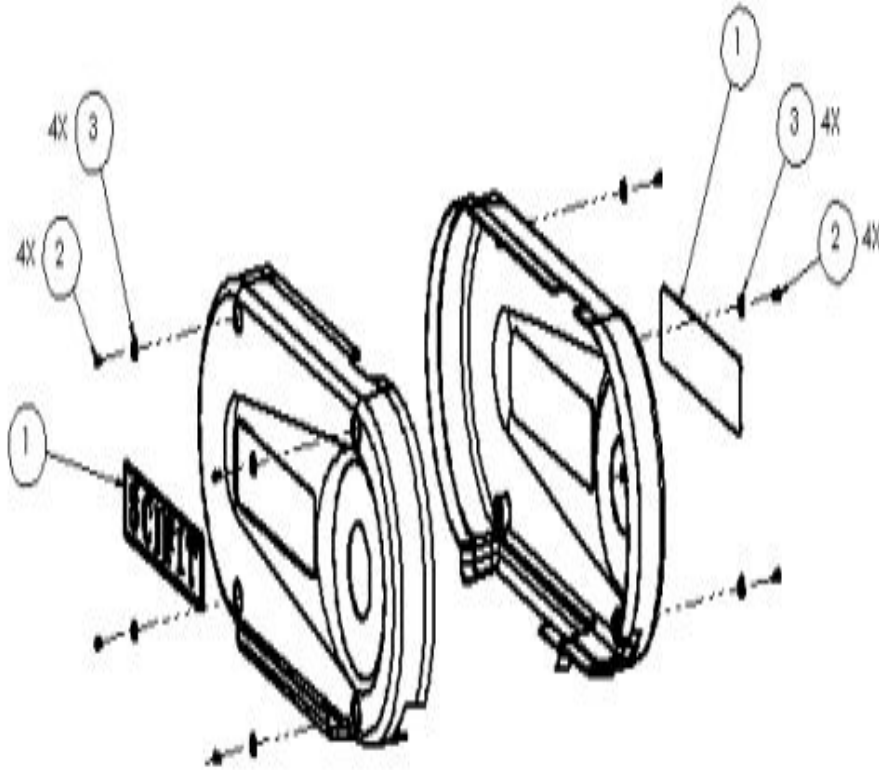
Ref #	Part Number	Qty	Description
1	P2379	1	Link master chain #40
-	A3120	1	Kit #40 Chain Short 32P ISO RE

Covers Assembly Charcoal PRO1



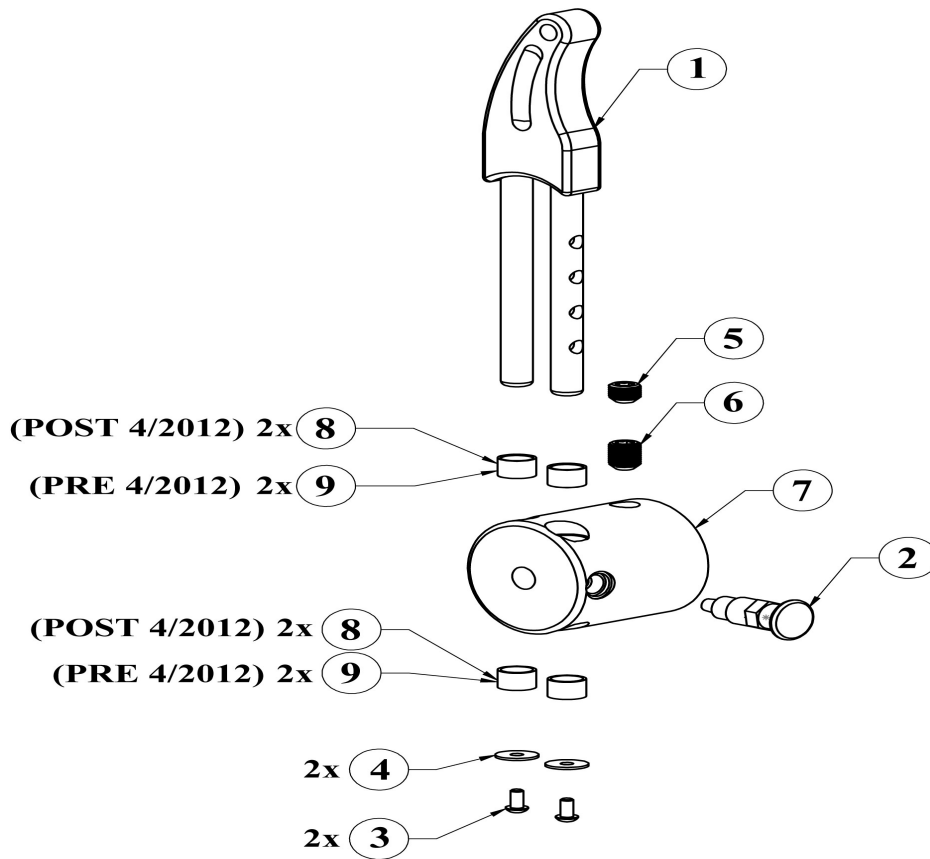
Ref #	Part Number	Qty	Description
1	P1100	2	DECAL SCIFIT 2.75 X 12
2	11253079	8	#10-32 x .375 Phillips Pan Machine Screw Black
3	P1921	8	Washer cover plastic
-	S5786	1	Kit PRO1 Covers LH/RH Smooth

Covers Assembly White PRO1



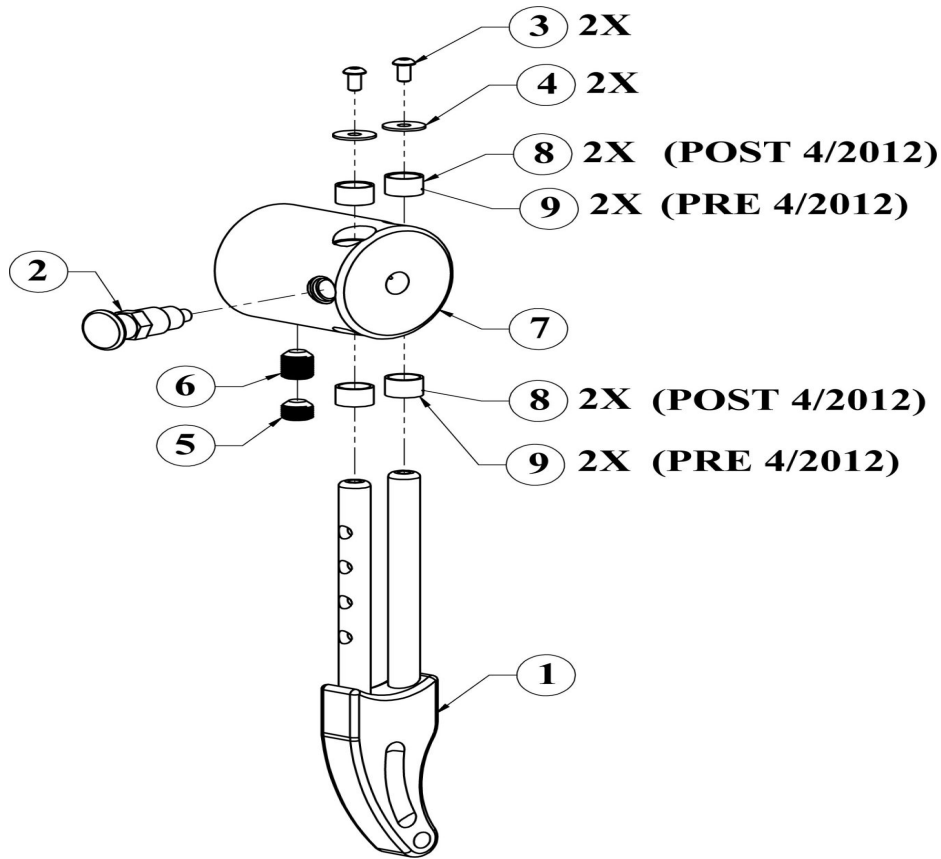
Ref #	Part Number	Qty	Description
1	P1100	2	DECAL SCIFIT 2.75 X 12
2	11253079	8	#10-32 x .375 Phillips Pan Machine Screw Black
3	P1921	8	Washer cover plastic
-	S6346	1	Kit R/L CVRS W/Decal White P

Crank Adjustable Left Assembly PRO1



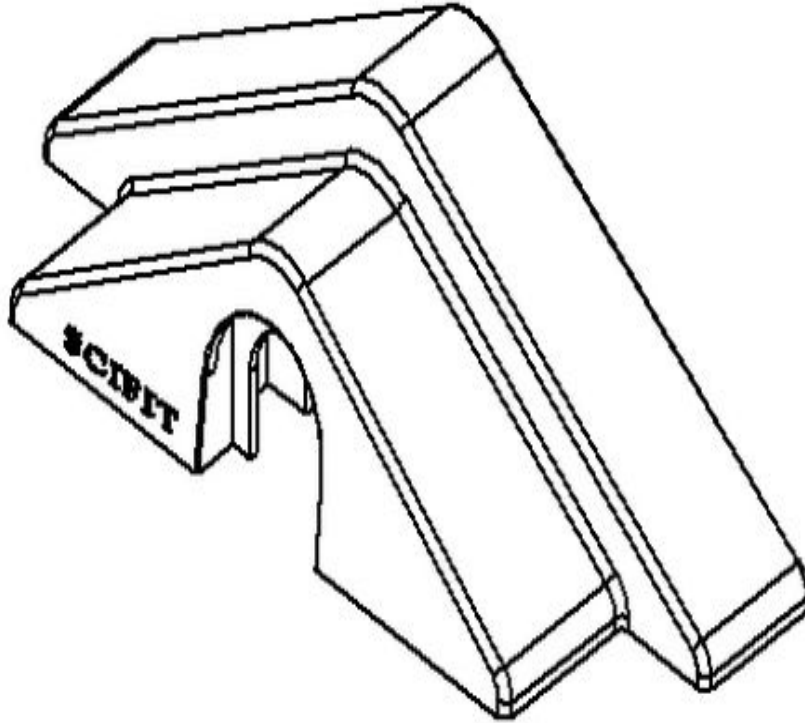
Ref #	Part Number	Qty	Description
1	A3086	1	Crank Upper Left Extended Assy
2	A5380	1	Assy Pop-Pin Hub Flange Knob
3	94049	2	1/4"-20 x 1/2" Zinc BSCS
4	10537-08370	2	.25 ID x .835 OD F/W
5	P3110	1	Screw Set Socket Point Flat 5/8-18 x .5
6	P3111	1	Screw Set Socket Point Flat 5/8-18 x .75
7	A3781	1	Assy. Hub Crank PRO Upper
8	P5174	4	Bushing IGUS Hub MSI-1012-08 P
9	P1756	1	Bearing Igus rod handcrank
-	SB3253	1	Kit,Crank,Extended,UB,Left

Crank Adjustable Right Assembly PRO1



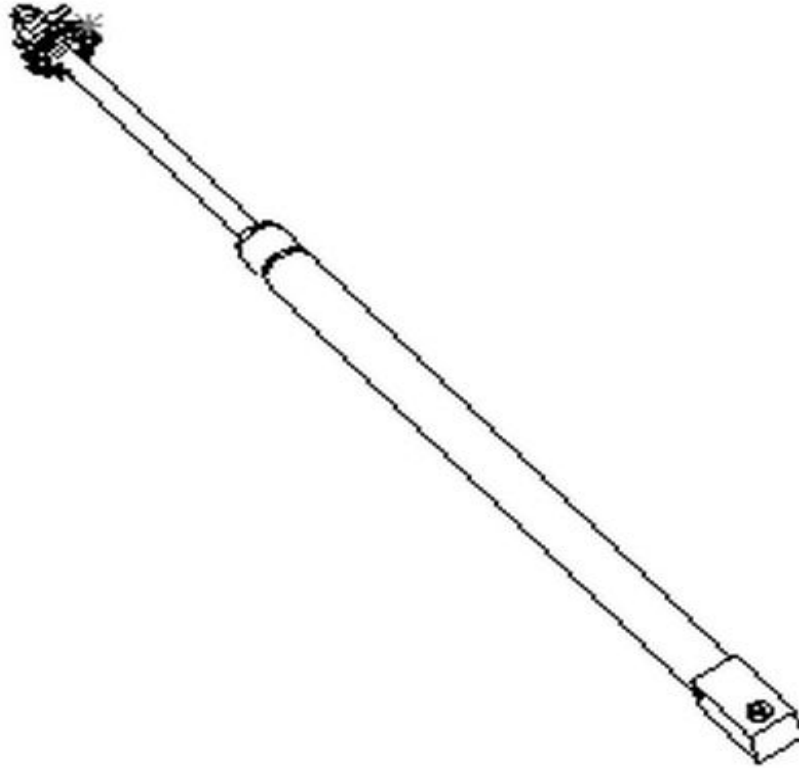
Ref #	Part Number	Qty	Description
1	A3085	1	Crank Upper Right Extended Ass
2	A5380	1	Assy Pop-Pin Hub Flange Knob
3	94049	2	1/4"-20 x 1/2" Zinc BSCS
4	10537-08370	2	.25 ID x .835 OD F/W
5	P3110	1	Screw Set Socket Point Flat 5/8-18 x .5
6	P3111	1	Screw Set Socket Point Flat 5/8-18 x .75
7	A3781	1	Assy. Hub Crank PRO Upper
8	P5174	4	Bushing IGUS Hub MSI-1012-08 P
9	P1756	1	Bearing Igus rod handcrank
-	SB3161	1	Kit,Crank,Extended,UB,PRO1,Rig

Foot Rest PRO1



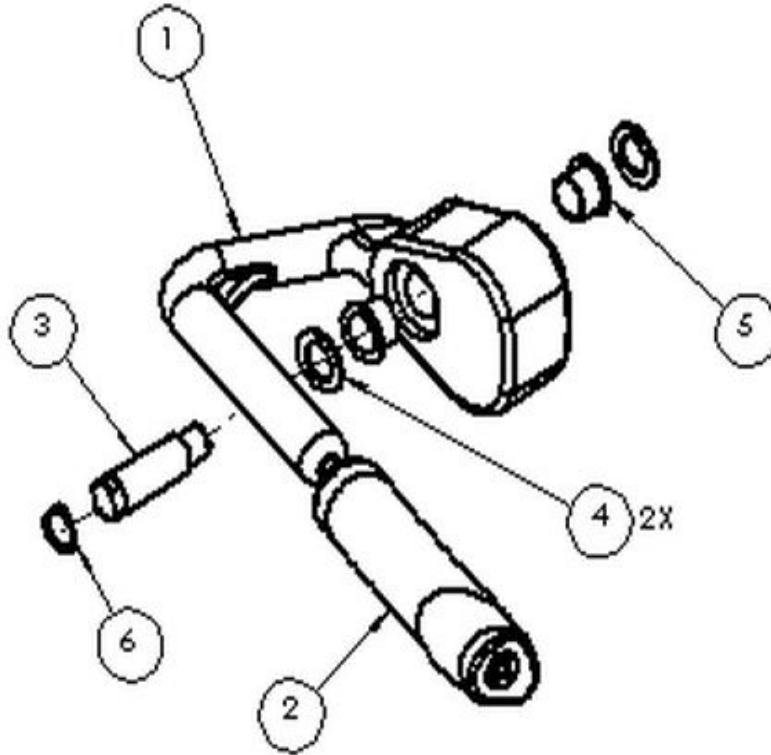
Ref #	Part Number	Qty	Description
-	A2286	1	Footrest Molded PRO

Gas Shock Assembly PRO1



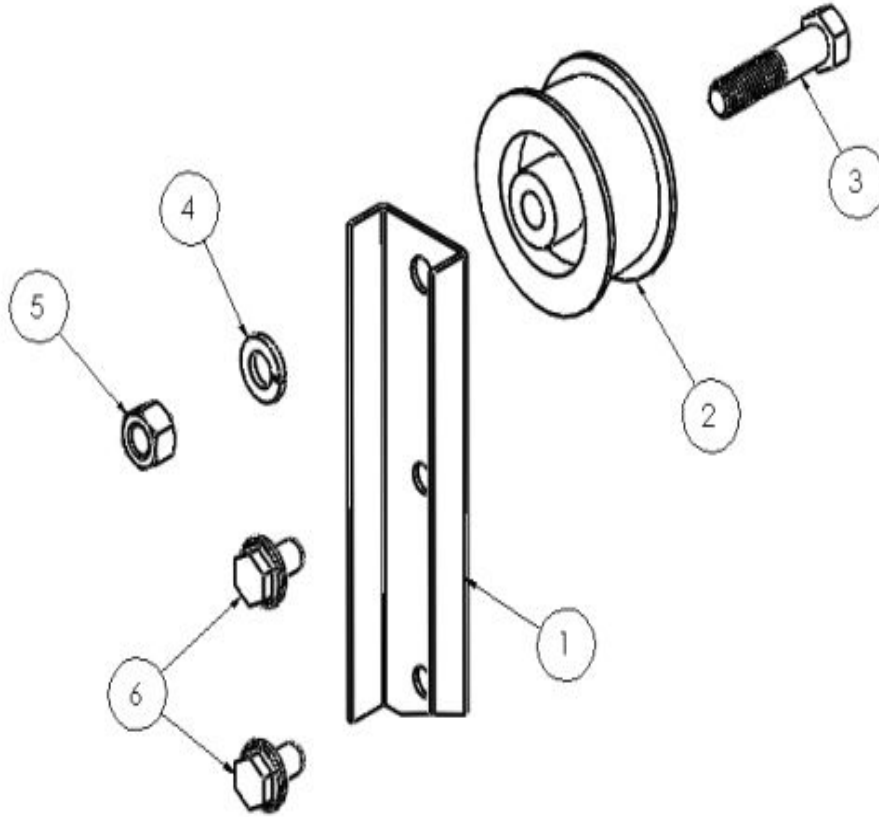
Ref #	Part Number	Qty	Description
-	S4369	1	Kit Spring Gas Rigid kLocking

Handle Crank Standard Gray Assembly PRO



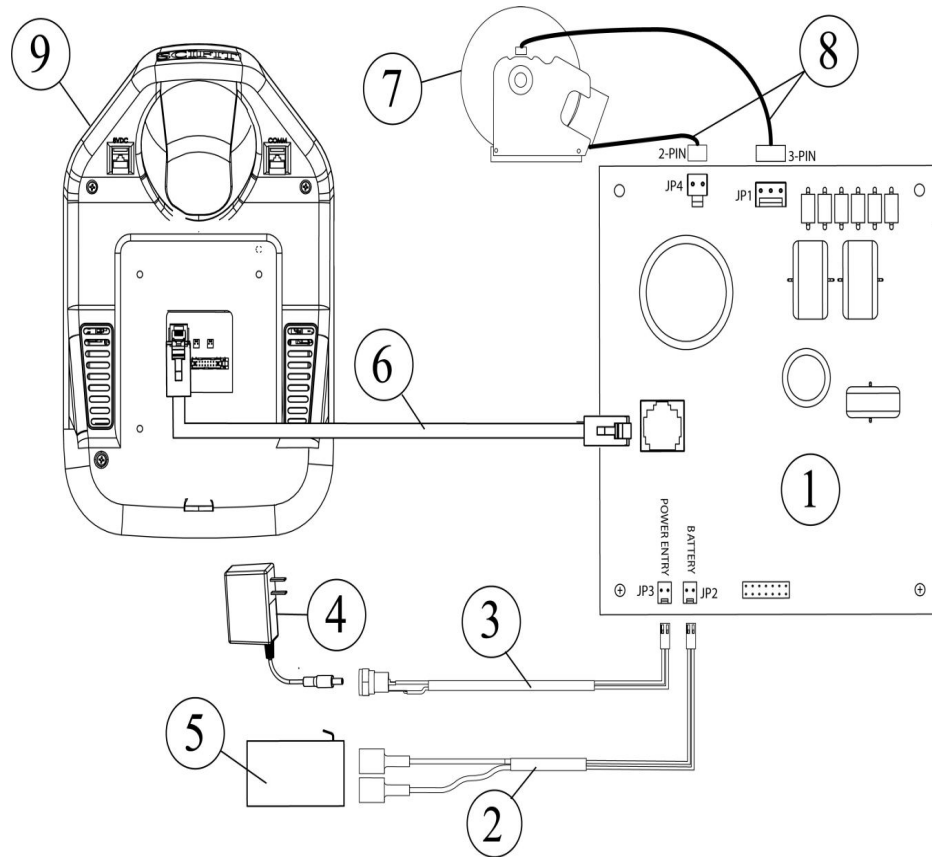
Ref #	Part Number	Qty	Description
1	A1993	1	NLA: Handle Handcrank PRO
2	P4610	1	GRIP HANDLE HANDCRANK PRO V2
3	A2534	1	Shaft Handcrank
4	A1591	2	Washer IGUS Handcrank Modified
5	P1173	2	Brg. Flnged IGUS 5/8 Handc
6	68013	1	Snap Ring .588 ID x .035THK
-	S4863	1	KIT ASSY HANDCRANK PRO V2

Idler Assembly PRO1



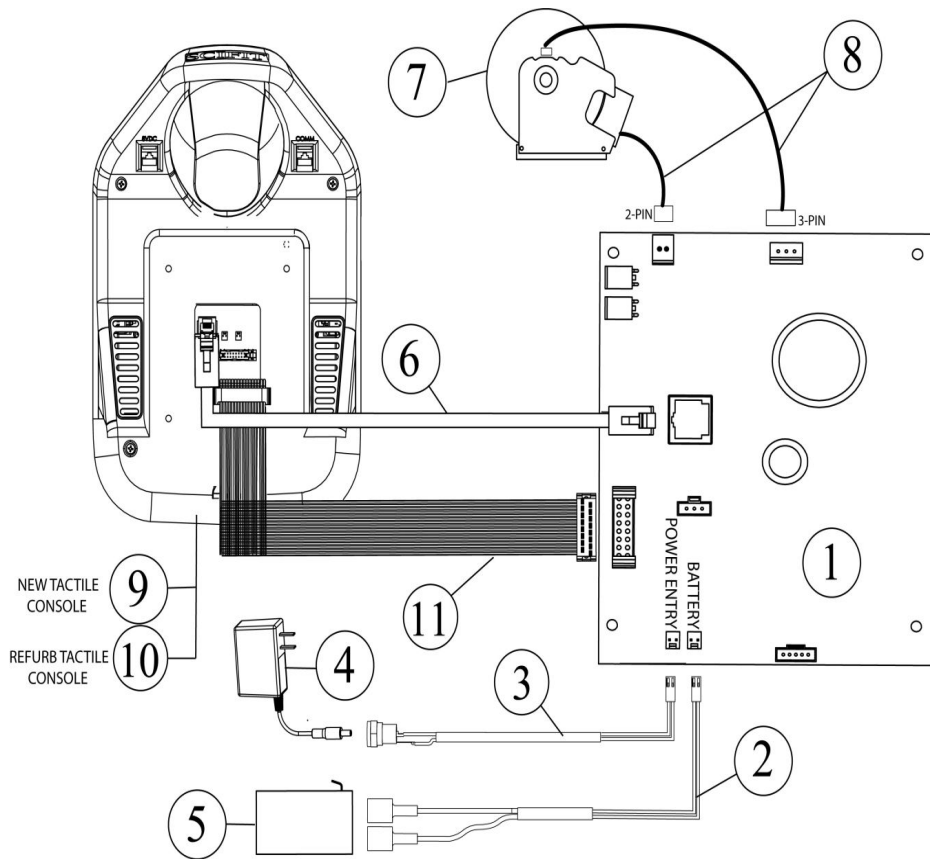
Ref #	Part Number	Qty	Description
1	A1230	1	Stiffener Side Plate Idler
2	P1091	1	Idler Ellipt Recumbent
3	13110	1	3/8"-16 x 1-3/4" Zinc HCS
4	33893	1	3/8" Yllw Zinc Split L/W
5	36106	1	3/8"-16 Zinc Hex Nut
6	19651	2	5/16-18 x 1/2 Zinc FB

Lower Board And Wires PRO102 Post - 5-2013



Ref #	Part Number	Qty	Description
1	A5361	1	Kit A5005 W/Mounting Bracket
2	P4733	1	Cable Batt Intelli-Fit/Med PRO
3	P2199	1	Cable Power Entry PRO 1
4	P4861	1	SCIFIT POWER SUPPLY AC ADAPTER WALL PACK 18V
5	P1564	1	Battery Rechargeable Cordless
6	P4740	1	Cable Comm 30" Intelli-Fit PRO
7	S1906	1	Kit Brake w/60mm Pulley Bikes
8	S4454	1	CABLES IND. BRAKE 3 & 2 PIN
9	LCD-EN-01	1	SCIFIT LCD Console English
9	LCD-EN-01	1	SCIFIT LCD Console English
9	LCD-EN-01	1	SCIFIT LCD Console English
9	LCD-EN-01	1	SCIFIT LCD Console English
9	LCD-EN-01	1	SCIFIT LCD Console English
9	LCD-EN-01	1	SCIFIT LCD Console English
9	LCD-EN-01	1	SCIFIT LCD Console English
9	LCD-EN-01	1	SCIFIT LCD Console English
9	LCD-EN-01	1	SCIFIT LCD Console English
9	LCD-EN-01	1	SCIFIT LCD Console English
9	LCD-EN-01	1	SCIFIT LCD Console English

Lower Board And Wires PRO102 Pre - 5-2013



Ref #	Part Number	Qty	Description
1	S6189	1	Kit A5361 W/Tactile Firm PRE 5
2	P4733	1	Cable Batt Intelli-Fit/Med PRO
3	P2199	1	Cable Power Entry PRO 1
4	P4861	1	SCIFIT POWER SUPPLY AC ADAPTER WALL PACK 18V
5	P1564	1	Battery Rechargeable Cordless
6	P4740	1	Cable Comm 30" Intelli-Fit PRO
7	S1906	1	Kit Brake w/60mm Pulley Bikes
8	S4454	1	CABLES IND. BRAKE 3 & 2 PIN
9	S5195	1	Kit A4604/Strain Relief.Wirele
10	S5196R	1	Kit A4604R/Strain Relief.Wirel
11	A5193	1	Cable Assy Display 32" V2

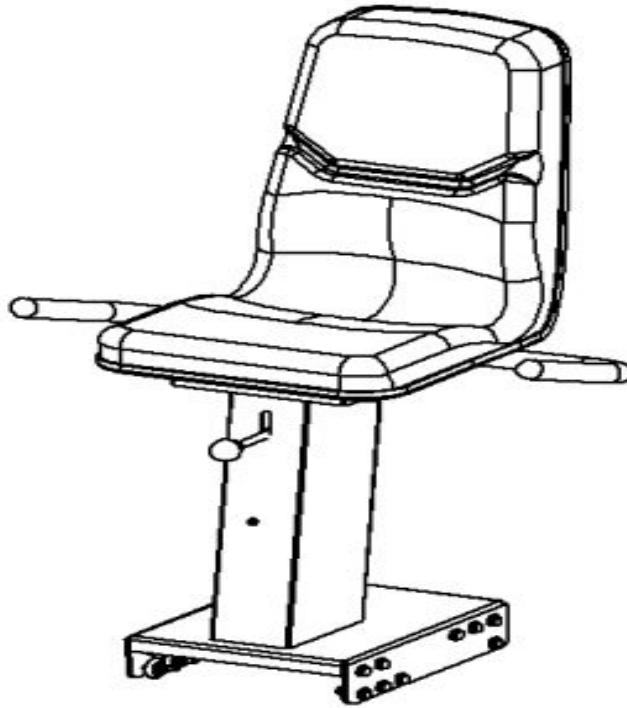
**PRO Bucket Bariatric Seat Assembly - 610-000001
- 610-013528**



PLEASE SEE: S3584-CH

Ref #	Part Number	Qty	Description
1	S3584-CH	1	Kit Seat Bariatric RST/PRO1 Charcoal

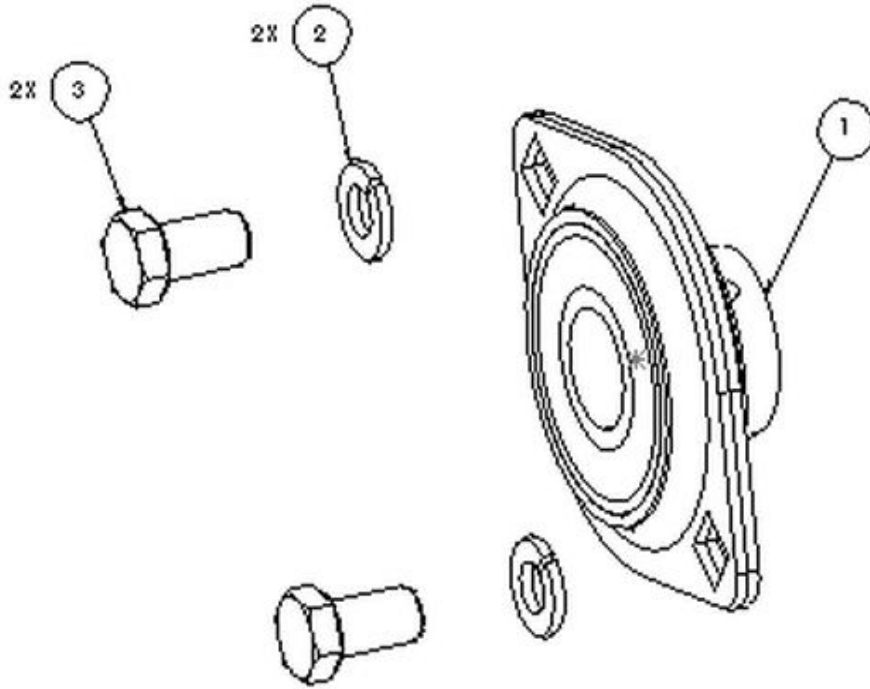
**PRO Bucket Bariatric Seat Assembly - 610-013679
- 610-013784**



PLEASE SEE: S3585-CH

Ref #	Part Number	Qty	Description
1	S3585-CH	1	KIT:KIT, SEAT, BARIACTRIC, PRO, CHARCOAL

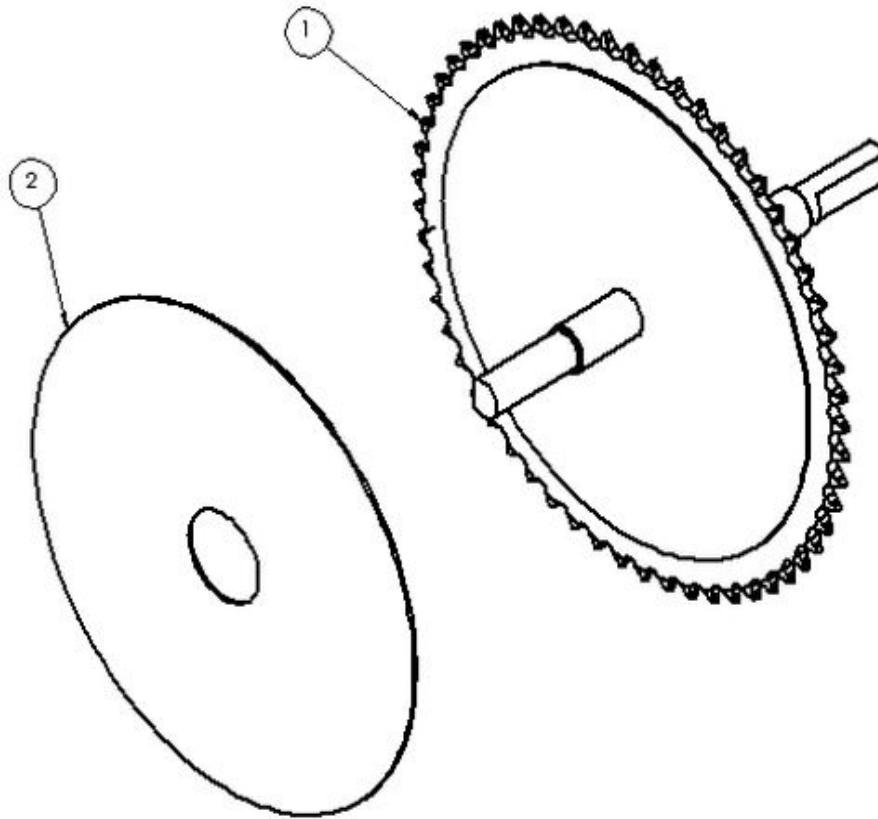
Spindle Bearing Drive Assembly



4X SETS REQUIRED PER UNIT

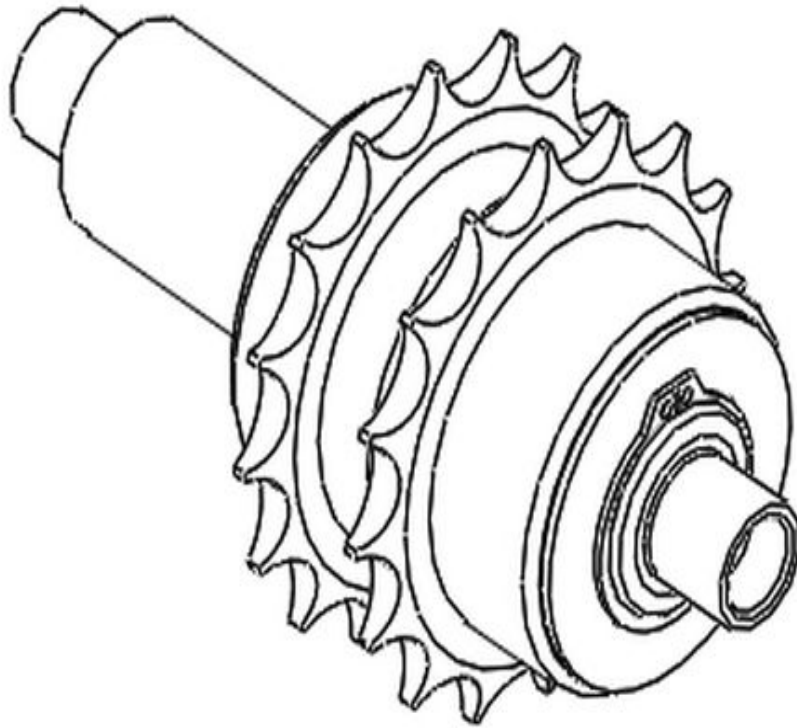
Ref #	Part Number	Qty	Description
1	P1096	1	Bearing Spindle Drive SB204-12
2	33892	2	5/16" Yellow Zinc Split L/W
3	13052	2	5/16"-18 x 5/8" Zinc HCS

Spindle Sprocket Assembly PRO1



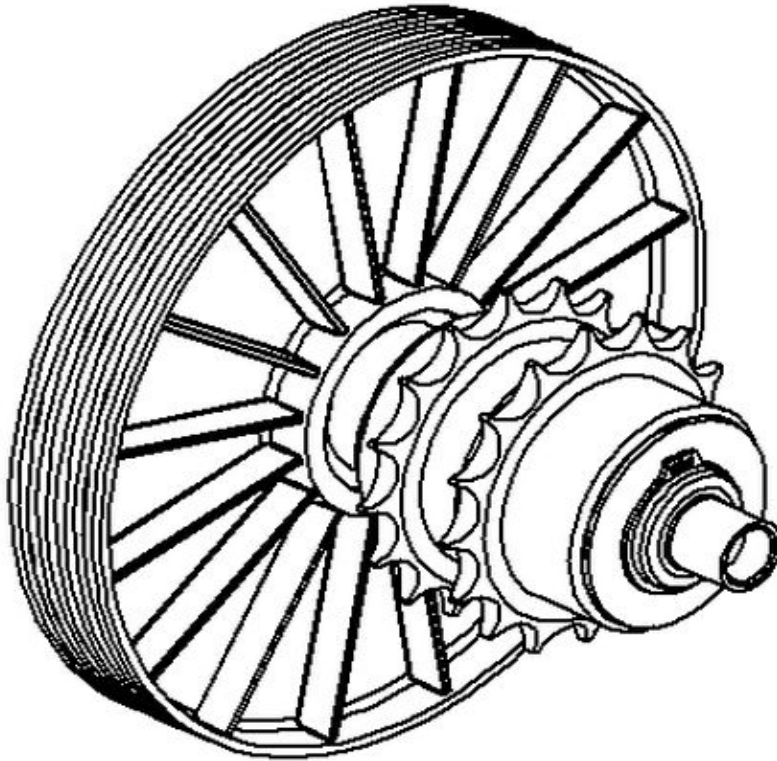
Ref #	Part Number	Qty	Description
1	A2019	1	Spindle Crank PRO1 Assy.
2	P1229	1	Disc Deadening Sound 8.247"

Sprocket 40 Bi Directional Assembly PRO1



Ref #	Part Number	Qty	Description
-	A3755	1	Kit Shaft Bi-Direct. #40

Sprocket 40 Jackshaft Pulley Assembly PRO1



Ref #	Part Number	Qty	Description
-	A3751	1	Kit Jackshaft PRO1 #40

