

# SCIFIT PRO2 Total Body

PRO230-INT

## Parts Manual

1/17/2019 12:39:48 PM

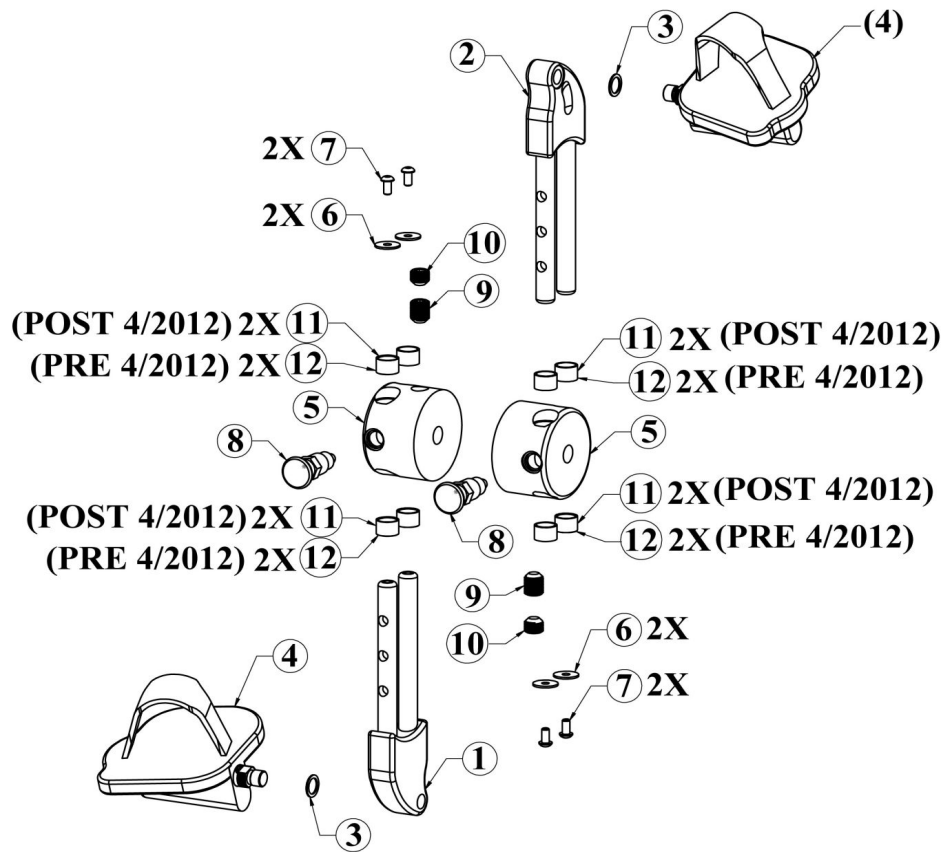


**Table of Contents**

---

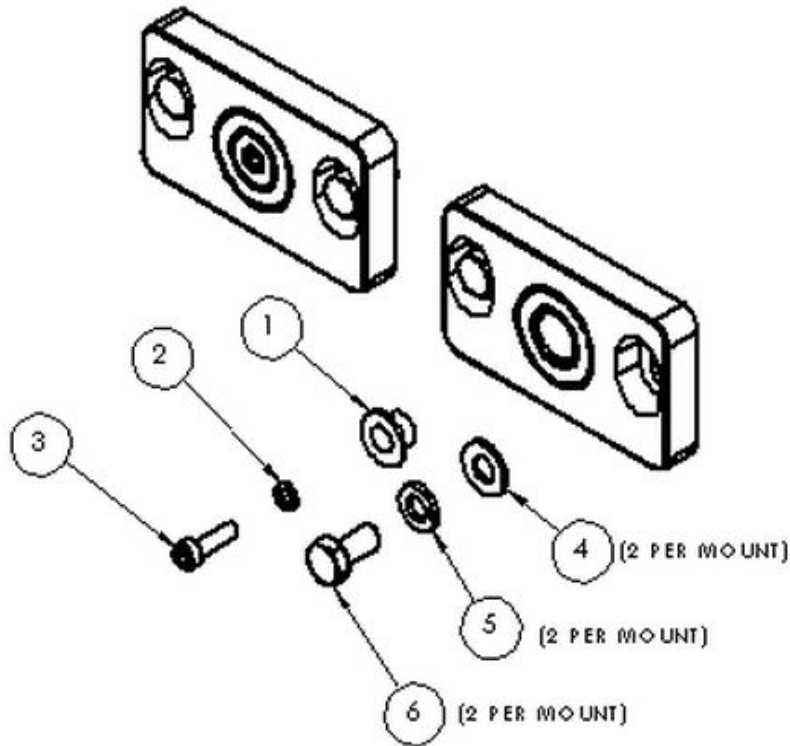
<a href="#">Adjustable Left and Right Feet Crank Assembly.....</a>	<a href="#">3</a>
<a href="#">Bearing Mount Bi Directional Assembly.....</a>	<a href="#">4</a>
<a href="#">Bearing Mount Jack Shaft Assembly.....</a>	<a href="#">5</a>
<a href="#">Belt Poly-V.....</a>	<a href="#">6</a>
<a href="#">Bracket Support Console.....</a>	<a href="#">7</a>
<a href="#">Lower Board And Wires - Post 5-2013.....</a>	<a href="#">8</a>
<a href="#">Lower Board And Wires - Pre 5-2013.....</a>	<a href="#">9</a>
<a href="#">Premium Seat - 660-016107 - Current.....</a>	<a href="#">10</a>
<a href="#">PRO Bucket Seat Assembly - 660-000001 - 660-016103.....</a>	<a href="#">11</a>
<a href="#">PRO Standard Gray Handle Assembly.....</a>	<a href="#">12</a>
<a href="#">PRO2 Base Assembly.....</a>	<a href="#">13</a>
<a href="#">PRO2 Handle Left Crank Assembly.....</a>	<a href="#">14</a>
<a href="#">PRO2 Handle Right Crank Assembly.....</a>	<a href="#">15</a>
<a href="#">PRO2 Idler Assembly.....</a>	<a href="#">16</a>
<a href="#">PRO2 Left &amp; Right Covers Charcoal.....</a>	<a href="#">17</a>
<a href="#">PRO2 Left &amp; Right Covers White.....</a>	<a href="#">18</a>
<a href="#">PRO2 Spindle Crank.....</a>	<a href="#">19</a>
<a href="#">PRO2 43 Chain Long Assembly.....</a>	<a href="#">20</a>
<a href="#">PRO2 43 Chain Short Assembly.....</a>	<a href="#">21</a>
<a href="#">Spindle Bearing Drive Assembly.....</a>	<a href="#">22</a>
<a href="#">43 Sprocket Bi Directional Assembly.....</a>	<a href="#">23</a>
<a href="#">43 Sprocket Jack Shaft Pulley Assembly.....</a>	<a href="#">24</a>

# Adjustable Left and Right Feet Crank Assembly



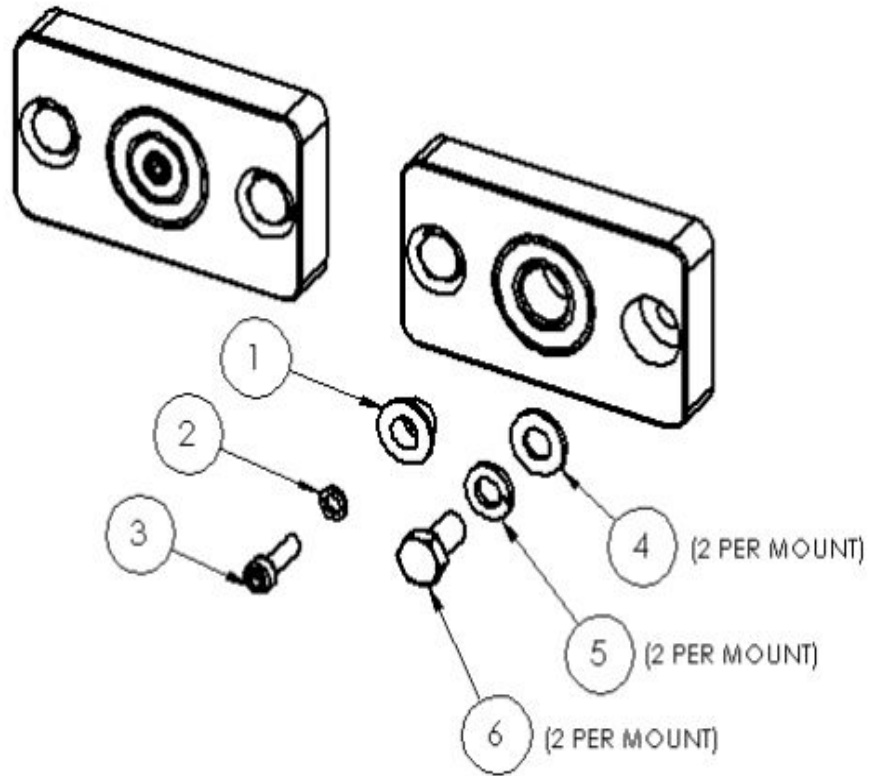
Ref #	Part Number	Qty	Description
1	A1867	1	Assy. Crank Lower Left
2	A1868	1	Assy. Crank Lower Right
3	P2709	2	Washer Pedal Hardened 9/16
4	P2275	1	Pedal Bike Pair 9/16"-20
5	A3780	2	Assy. Hub Crank PRO Mono
6	10537-08370	4	.25 ID x .835 OD F/W
7	94049	4	1/4"-20 x 1/2" Zinc BSCS
8	A5380	2	Assy Pop-Pin Hub Flange Knob
9	P3111	2	Screw Set Socket Point Flat 5/8-18 x .75
10	P3110	2	Screw Set Socket Point Flat 5/8-18 x .5
11	P5174	8	Bushing IGUS Hub MSI-1012-08 P
12	P1756	1	Bearing Iigus rod handcrank

## Bearing Mount Bi Directional Assembly



Ref #	Part Number	Qty	Description
1	A1972	2	Washer Retain. Bearing Recess
2	33614	2	#10 Zinc Split L/W
3	93165	2	#10-32 x 5/8" Zinc SCS
4	33080	4	5/16" Zinc F/W
5	33892	4	5/16" Yellow Zinc Split L/W
6	13052	4	5/16"-18 x 5/8" Zinc HCS
-	S4748	1	Kit (1pr.) Bearing Mount Bi-

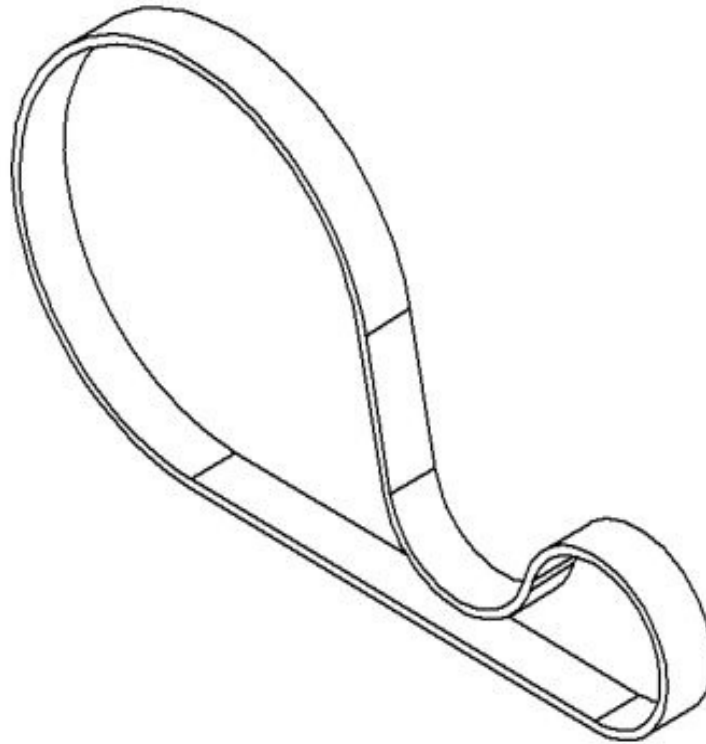
## Bearing Mount Jack Shaft Assembly



Ref #	Part Number	Qty	Description
1	A1972	2	Washer Retain. Bearing Recess
2	33614	2	#10 Zinc Split L/W
3	93165	2	#10-32 x 5/8" Zinc SCS
4	33080	4	5/16" Zinc F/W
5	33892	4	5/16" Yellow Zinc Split L/W
6	13052	4	5/16"-18 x 5/8" Zinc HCS
-	S4747	1	Kit (1 pr) Bearing Mount Jac

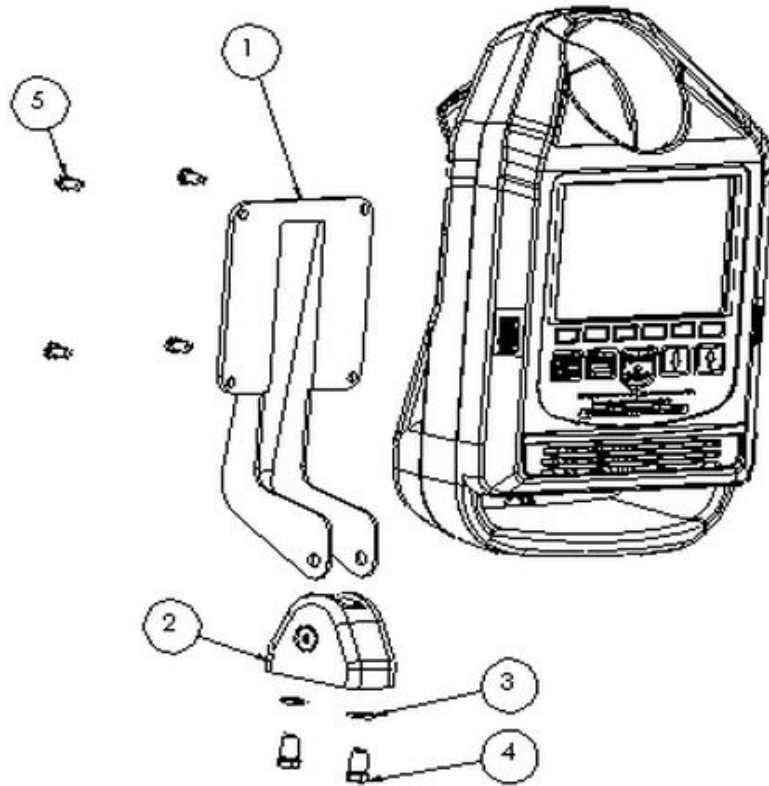
## Belt Poly-V

---



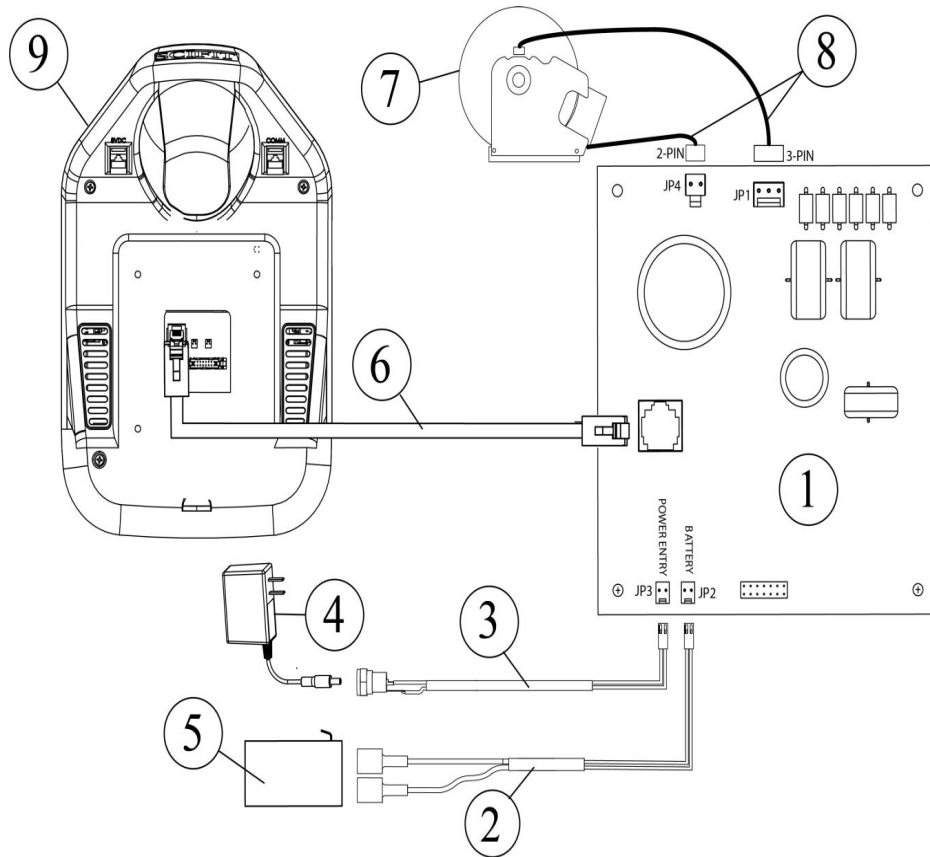
Ref #	Part Number	Qty	Description
1	P1664	1	Belt Poly-V J8 310

## Bracket Support Console



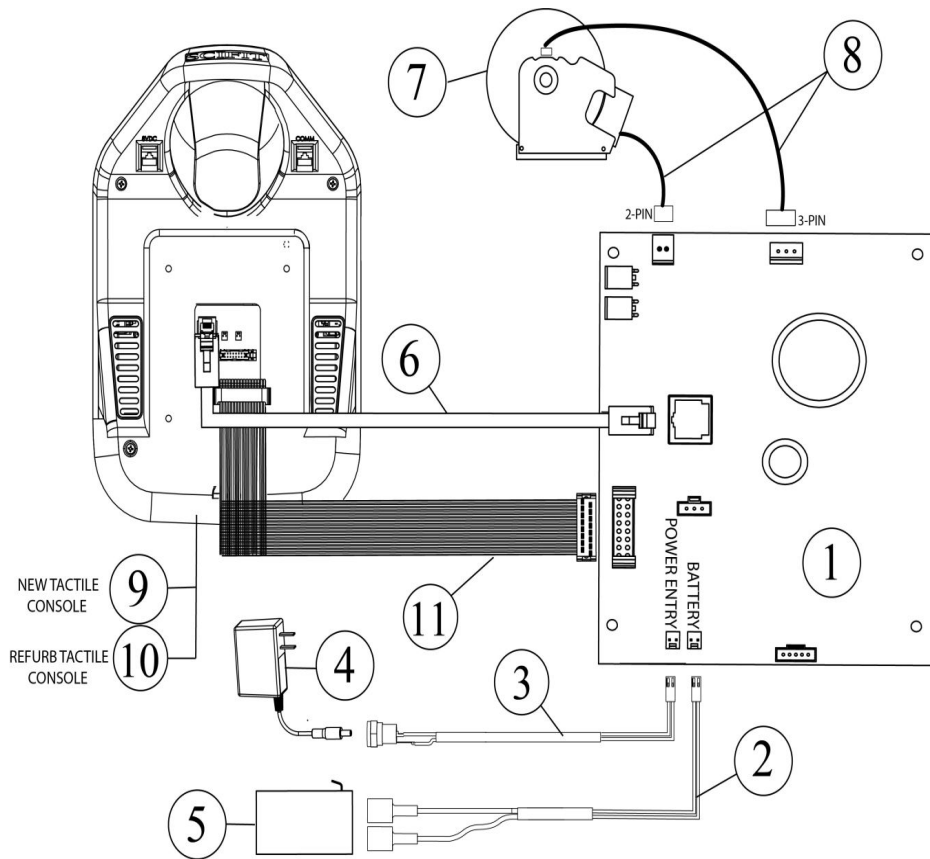
Ref #	Part Number	Qty	Description
1	A4659	1	DISPLAY ADJ PRO LCD V2
2	S5791	1	Kit Quadrant W/HW Post 4/13 PR
3	33892	2	5/16" Yellow Zinc Split L/W
4	13052	2	5/16"-18 x 5/8" Zinc HCS
5	10537-09060	4	Screw M5 x 12mm Phil Black Zinc

## Lower Board And Wires - Post 5-2013



Ref #	Part Number	Qty	Description
1	A5361	1	Kit A5005 W/Mounting Bracket
2	P1833	1	Cable Battery Cordless
3	P3307	1	Cable Power Entry PRO
4	P4861	1	SCIFIT POWER SUPPLY AC ADAPTER WALL PACK 18V
5	P1564	1	Battery Rechargeable Cordless
6	P4741	1	Cable Comm 50" Intelli PRO2/10
7	S3611	1	Kit Brake Cordless PRO w/o Bra
8	S4454	1	CABLES IND. BRAKE 3 & 2 PIN
9	LCD-EN-01	1	SCIFIT LCD Console English
9	LCD-EN-01	1	SCIFIT LCD Console English
9	LCD-EN-01	1	SCIFIT LCD Console English
9	LCD-EN-01	1	SCIFIT LCD Console English
9	LCD-EN-01	1	SCIFIT LCD Console English
9	LCD-EN-01	1	SCIFIT LCD Console English
9	LCD-EN-01	1	SCIFIT LCD Console English
9	LCD-EN-01	1	SCIFIT LCD Console English
9	LCD-EN-01	1	SCIFIT LCD Console English
9	LCD-EN-01	1	SCIFIT LCD Console English
9	LCD-EN-01	1	SCIFIT LCD Console English

## Lower Board And Wires - Pre 5-2013



Ref #	Part Number	Qty	Description
1	S6189	1	Kit A5361 W/Tactile Firm PRE 5
2	P1833	1	Cable Battery Cordless
3	P3307	1	Cable Power Entry PRO
4	P4861	1	SCIFIT POWER SUPPLY AC ADAPTER WALL PACK 18V
5	P1564	1	Battery Rechargable Cordless
6	P4741	1	Cable Comm 50" Intelli PRO2/10
7	S3611	1	Kit Brake Cordless PRO w/o Bra
8	S4454	1	CABLES IND. BRAKE 3 & 2 PIN
9	S5195	1	Kit A4604/Strain Relief.Wirele
10	S5196R	1	Kit A4604R/Strain Relief.Wirel
11	A5190	1	Cable Assy Display 79" V2

## Premium Seat - 660-016107 - Current

---



PLEASE SEE: PREM-SEAT-01

Ref #	Part Number	Qty	Description
-	PREM-SEAT-01	1	SCIFIT Premium Seat

**PRO Bucket Seat Assembly - 660-000001 -  
660-016103**

---

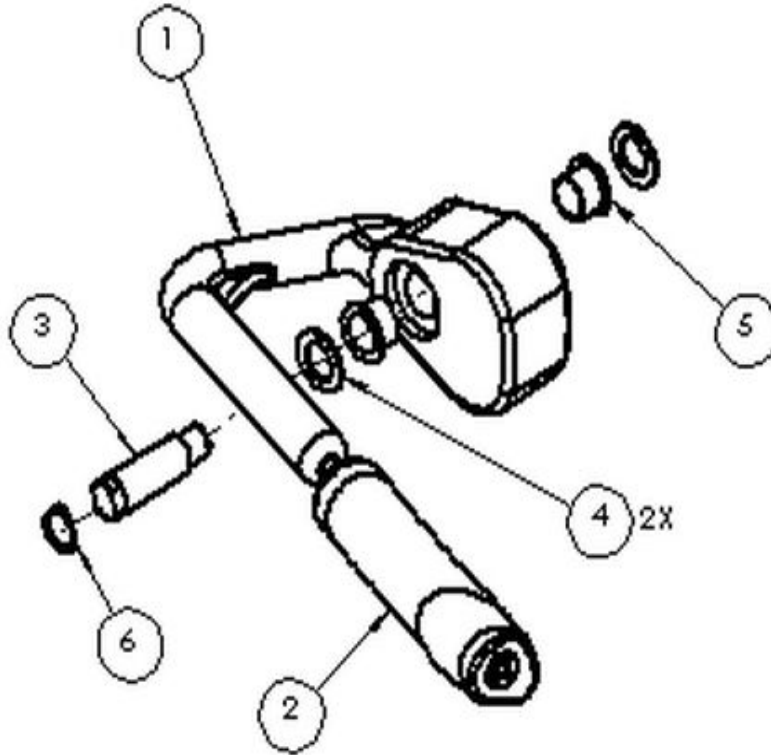


PLEASE SEE: S3198-CH

Ref #	Part Number	Qty	Description
-	S3198-CH	1	Kit Seat Assy Adj. PRO Charcoa

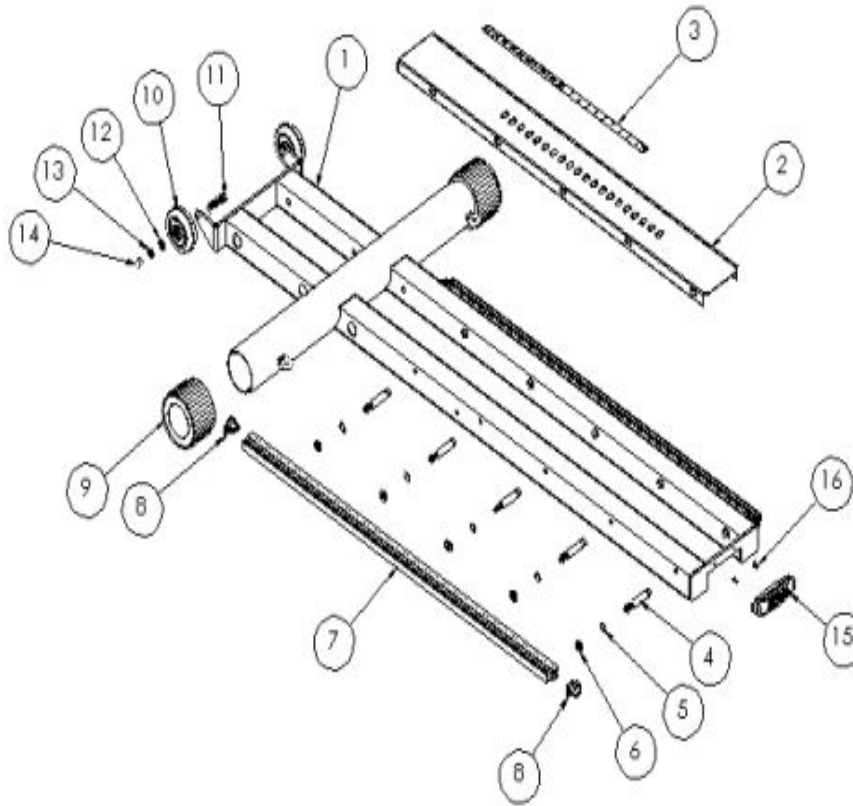
## PRO Standard Gray Handle Assembly

---



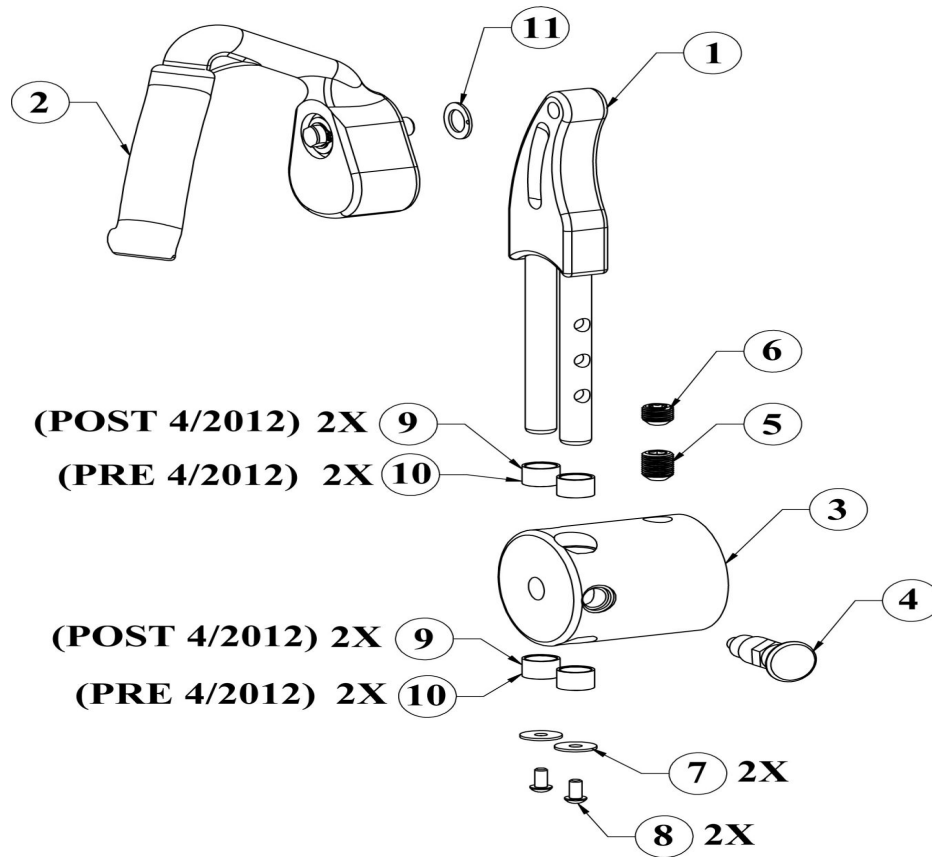
Ref #	Part Number	Qty	Description
1	A1993	1	NLA: Handle Handcrank PRO
2	P4610	1	GRIP HANDLE HANDCRANK PRO V2
3	A2534	1	Shaft Handcrank
4	A1591	2	Washer IGUS Handcrank Modified
5	P1173	2	Brg. Flnged IGUS 5/8 Handc
6	68013	1	Snap Ring .588 ID x .035THK
-	S4863	1	KIT ASSY HANDCRANK PRO V2

# PRO2 Base Assembly



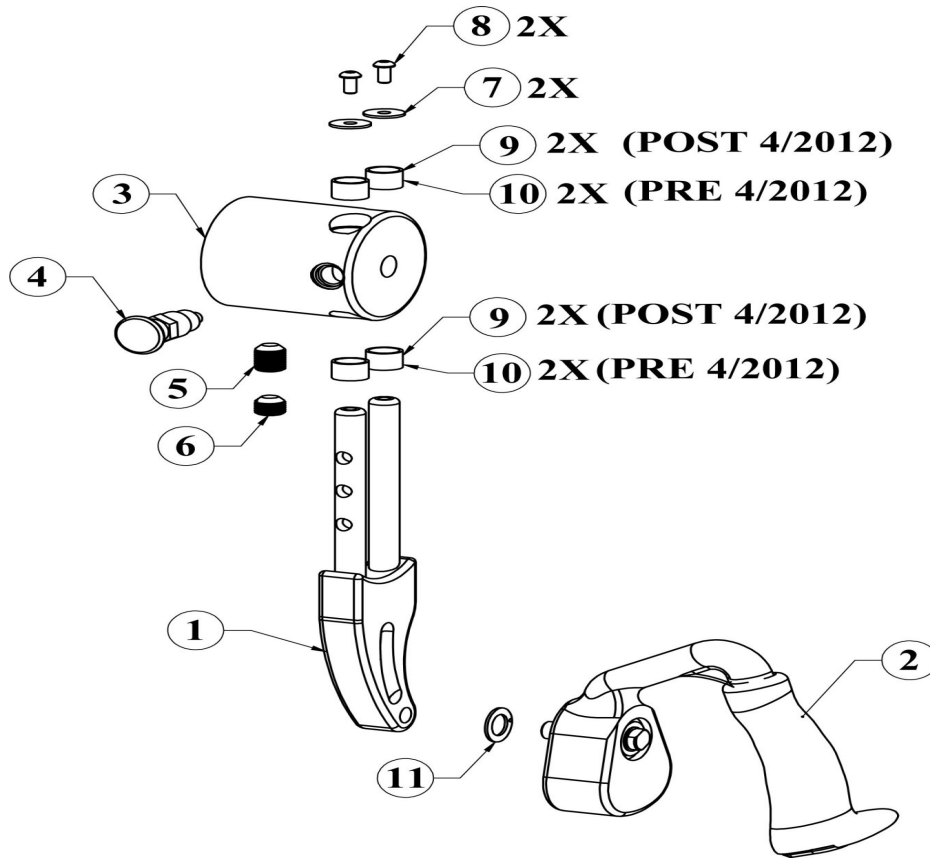
Ref #	Part Number	Qty	Description
1	C3240-CH	1	Frame Base PRO Charcoal
2	A3241	1	Track Adj. SS PRO Monocoque
3	P1982	1	Decal Number 1" Spacing 1- 20
4	13064	10	5/16"-18 x 2-3/4" Zinc HCS
5	33712	10	5/16" Zinc Internal Tooth L/W
6	37622	10	5/16"-18 Zinc Square Nut
7	A3299	2	Extrusion Rail Roller 37.5" PR
8	A5215	4	Endcap Cover Extrusion Rail
9	A1890	2	Cap Base 3" Adj. 65 Durometer
10	P2144	2	Wheel Front PRO II
11	73783	2	5/16"-18 x 1-3/4" Stnlss BSCS
12	33080	2	5/16" Zinc F/W
13	33892	2	5/16" Yellow Zinc Split L/W
14	70961	2	5/16"-18 Stnlss Stl Acorn Nut
15	A5449	1	HANDLE LIFT STEP 1
16	0142859	2	KIT:6 X 5/8 ZINC PHLLPS PH PLSTC S

# PRO2 Handle Left Crank Assembly



Ref #	Part Number	Qty	Description
1	A1869	1	Assy. Crank Upper Left
2	S4863	1	KIT ASSY HANDCRANK PRO V2
3	A3781	1	Assy. Hub Crank PRO Upper
4	A5380	1	Assy Pop-Pin Hub Flange Knob
5	P3111	1	Screw Set Socket Point Flat 5/8-18 x .75
6	P3110	1	Screw Set Socket Point Flat 5/8-18 x .5
7	10537-08370	2	.25 ID x .835 OD F/W
8	94049	2	1/4"-20 x 1/2" Zinc BSCS
9	P5174	4	Bushing IGUS Hub MSI-1012-08 P
10	P1756	1	Bearing Igus rod handcrank
11	A1591	1	Washer IGUS Handcrank Modified

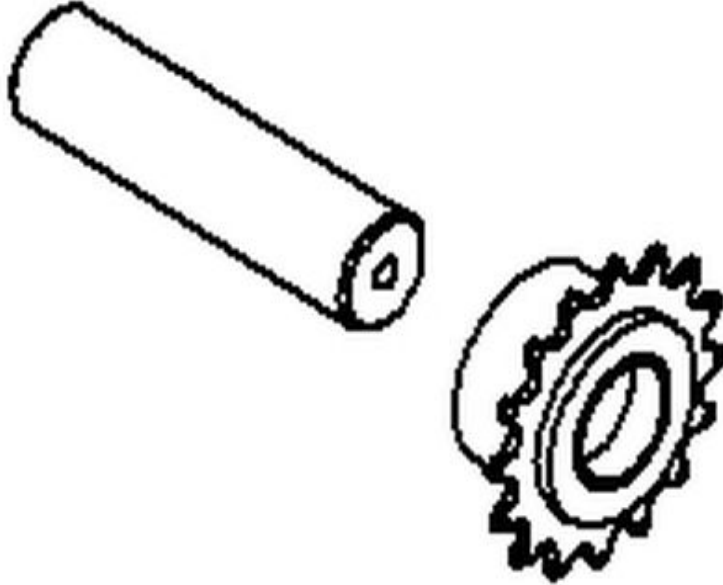
# PRO2 Handle Right Crank Assembly



Ref #	Part Number	Qty	Description
1	A1870	1	Assy. Crank Upper Right
2	S4863	1	KIT ASSY HANDCRANK PRO V2
3	A3781	1	Assy. Hub Crank PRO Upper
4	A5380	1	Assy Pop-Pin Hub Flange Knob
5	P3111	1	Screw Set Socket Point Flat 5/8-18 x .75
6	P3110	1	Screw Set Socket Point Flat 5/8-18 x .5
7	10537-08370	2	.25 ID x .835 OD F/W
8	94049	2	1/4"-20 x 1/2" Zinc BSCS
9	P5174	4	Bushing IGUS Hub MSI-1012-08 P
10	P1756	1	Bearing Igus rod handcrank
11	A1591	1	Washer IGUS Handcrank Modified

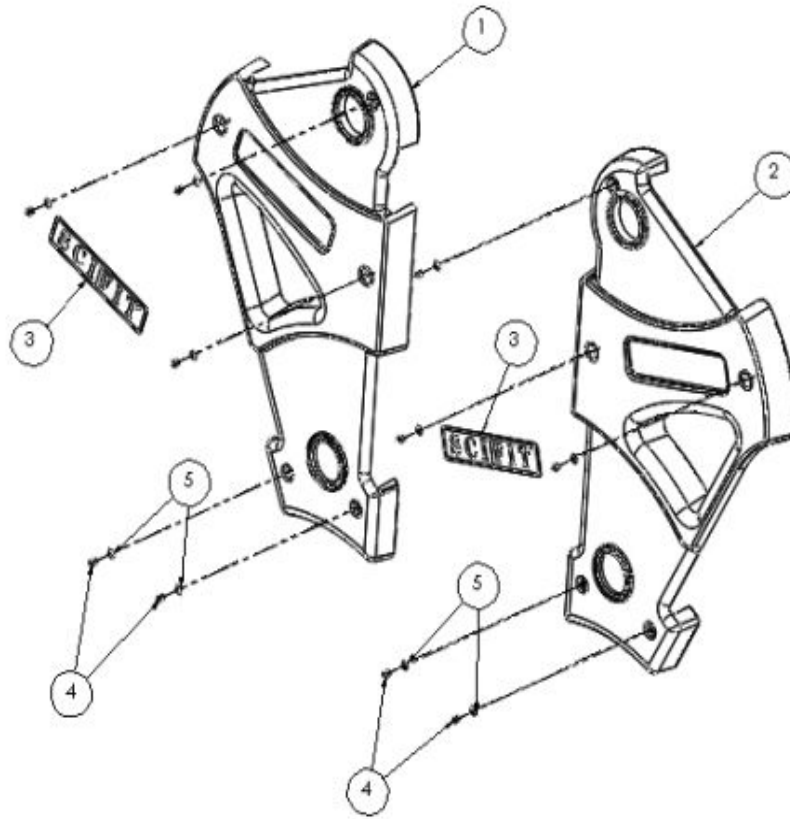
## PRO2 Idler Assembly

---



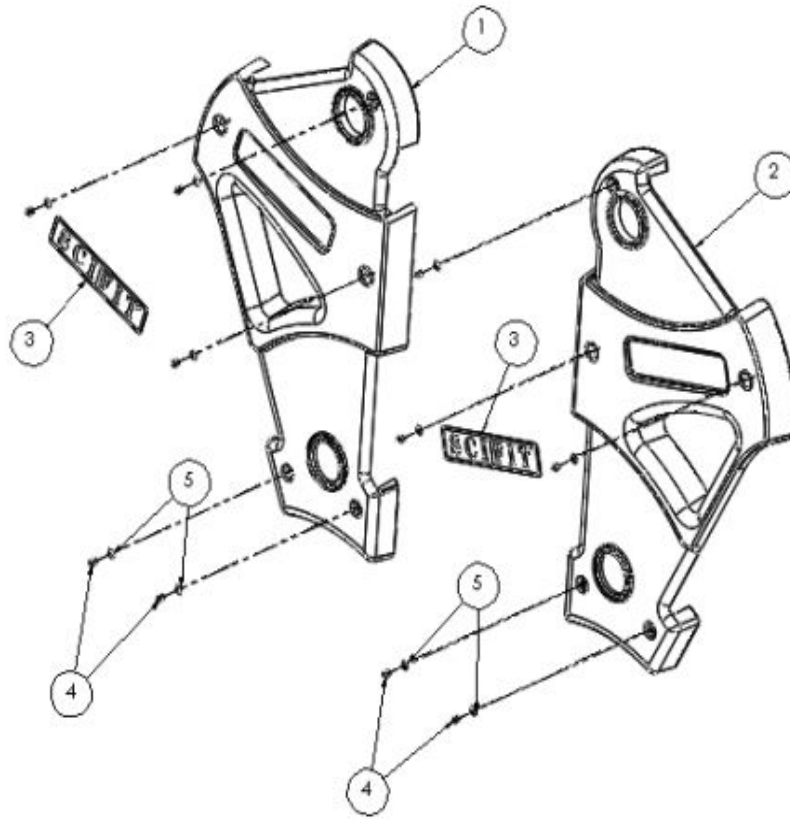
Ref #	Part Number	Qty	Description
-	A3447	1	Kit Idler Chain Assy.PRO

**PRO2 Left & Right Covers Charcoal**



Ref #	Part Number	Qty	Description
1	A3227	1	Kit Cover Left PRO 2 Monocoque
2	A3228	1	Kit Cover Right PRO 2 Monocoqu
3	P1100	1	DECAL SCIFIT 2.75 X 12
4	11252705	10	10-32 x 1/2 BLZ PPMS
5	P1921	10	Washer cover plastic

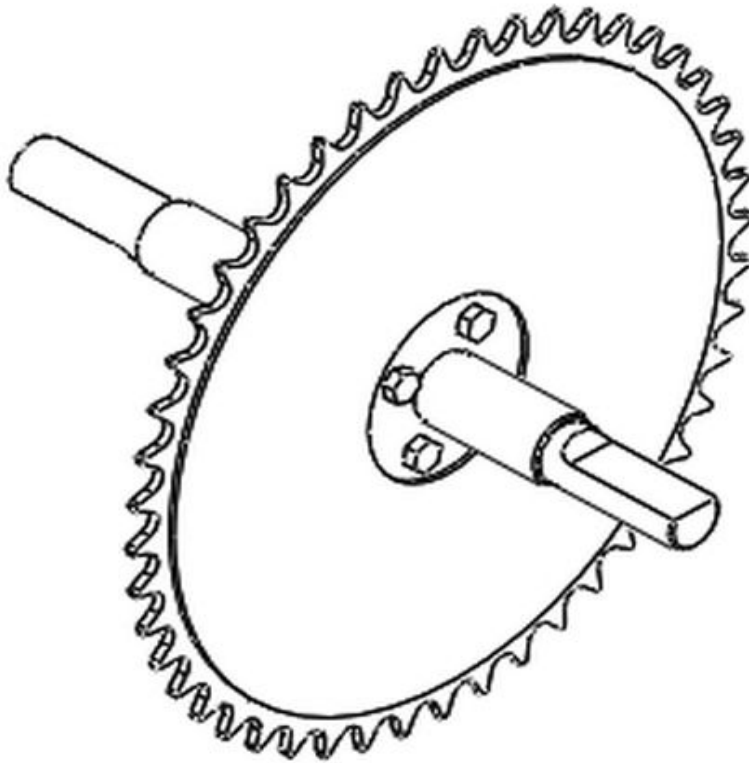
**PRO2 Left & Right Covers White**



Ref #	Part Number	Qty	Description
1	S6513	1	Kit LH CVR White w/Decal PRO2
2	S6514	1	Kit RH CVR White w/Decal PRO2
3	P1100	2	DECAL SCIFIT 2.75 X 12
4	11252705	10	10-32 x 1/2 BLZ PPMS
5	P1921	10	Washer cover plastic
-	S6347	1	Kit R/L CVRS W/Decal White PR

## PRO2 Spindle Crank

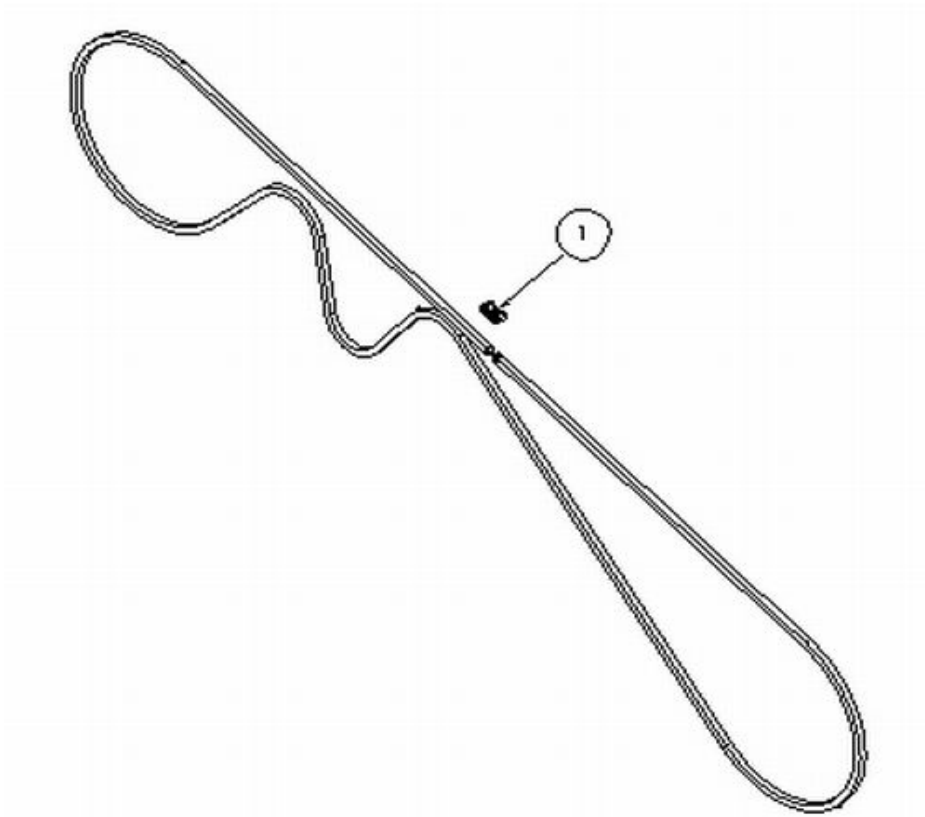
---



Ref #	Part Number	Qty	Description
-	A3797	1	KIT PRO SPINDLE ASSY #43 CHAIN

## PRO2 43 Chain Long Assembly

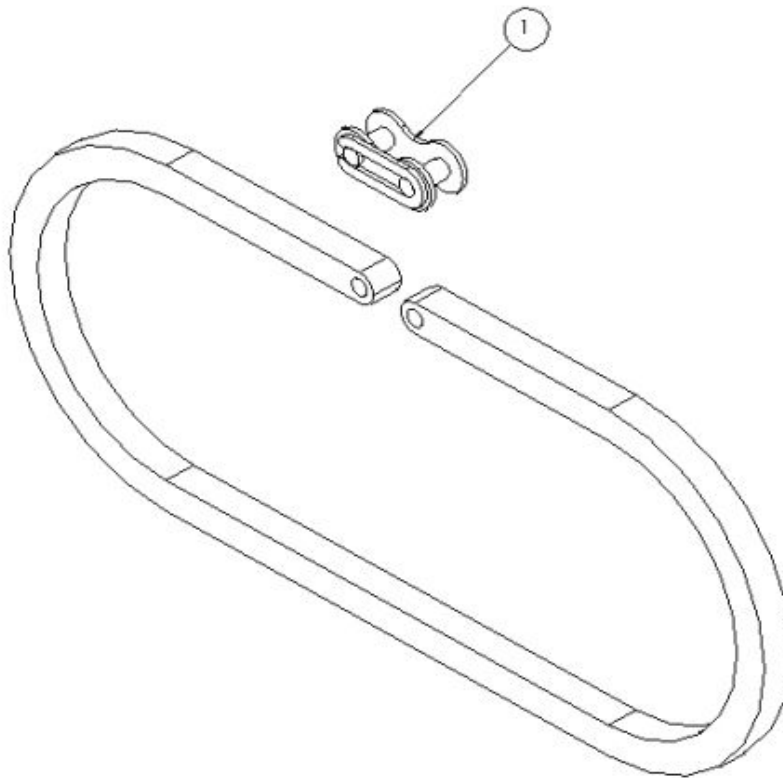
---



Ref #	Part Number	Qty	Description
1	P2234	1	Link Master Chain #43
-	P3739	1	Kit Chain Long 188P #43 PRO 2

## PRO2 43 Chain Short Assembly

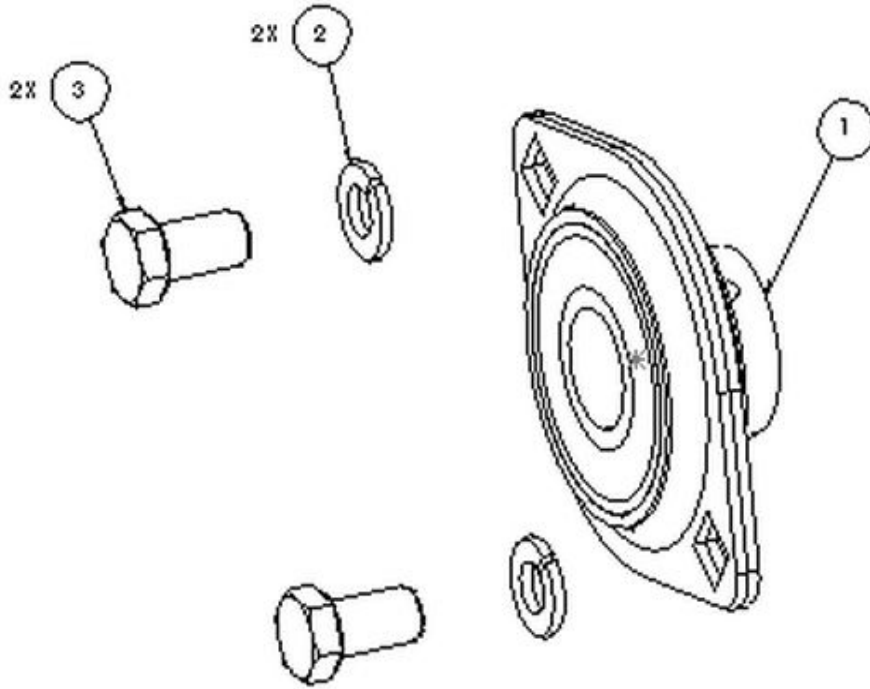
---



Ref #	Part Number	Qty	Description
1	P2234	1	Link Master Chain #43
-	A3456	1	Chain kit PRO100's ( Short ) #43 32P 16"

# Spindle Bearing Drive Assembly

---

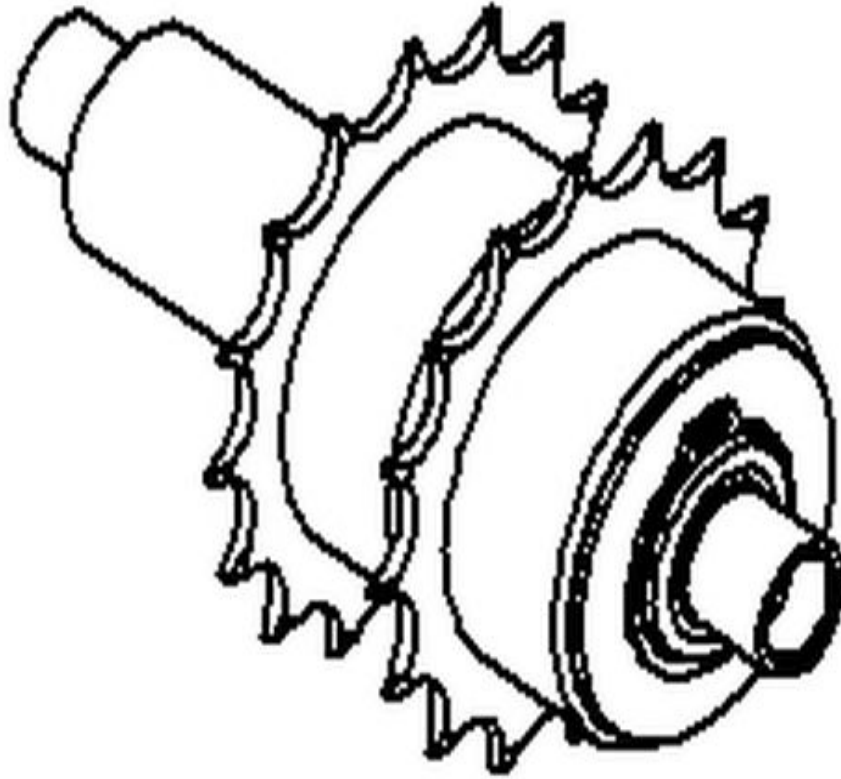


**4X SETS REQUIRED PER UNIT**

Ref #	Part Number	Qty	Description
1	P1096	1	Bearing Spindle Drive SB204-12
2	33892	2	5/16" Yellow Zinc Split L/W
3	13052	2	5/16"-18 x 5/8" Zinc HCS

## 43 Sprocket Bi Directional Assembly

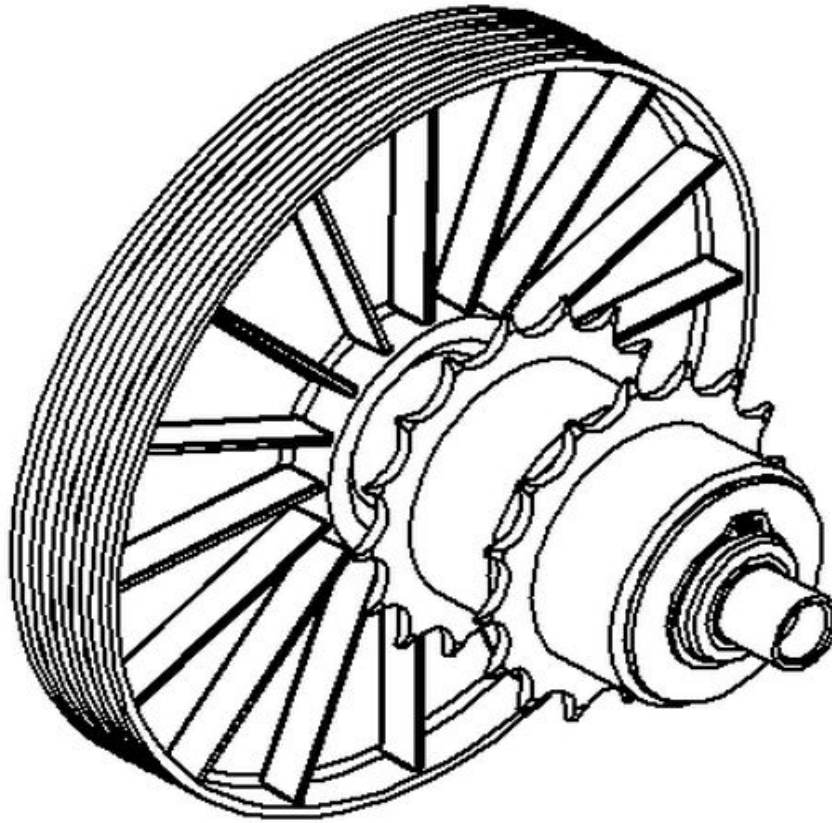
---



Ref #	Part Number	Qty	Description
-	A3589	1	Kit Bi-Direct. Assy #43 PRO

## 43 Sprocket Jack Shaft Pulley Assembly

---



Ref #	Part Number	Qty	Description
-	A3588	1	Kit Shaft Jack Conversion Mono

