

SCIFIT PRO2 Total Body

PRO232-INT

Parts Manual

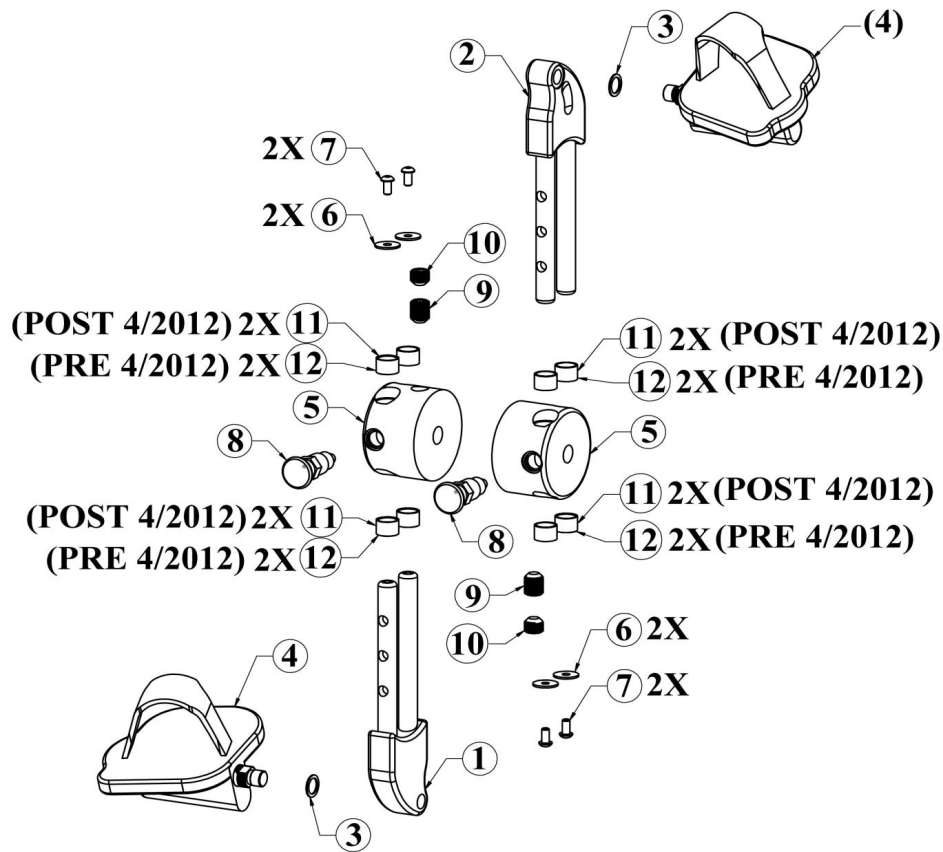
1/17/2019 12:40:31 PM



Table of Contents

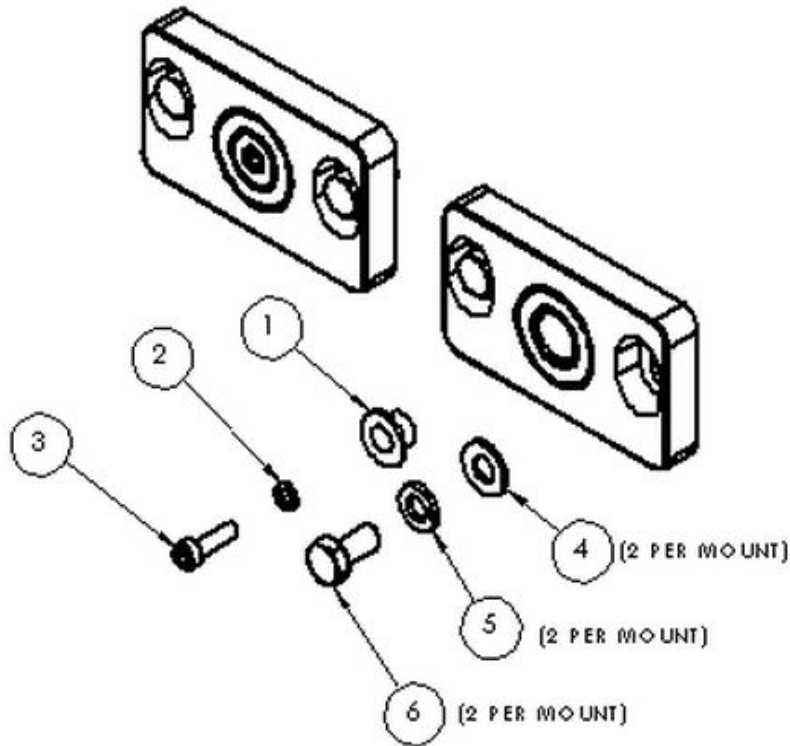
Adjustable Left and Right Feet Crank Assembly.....	3
Bearing Mount Bi Directional Assembly.....	4
Bearing Mount Jack Shaft Assembly.....	5
Belt Poly-V.....	6
Bracket Support Console.....	7
Lower Board And Wires - Post 5-2013.....	8
Lower Board And Wires - Pre 5-2013.....	9
PRO Standard Gray Handle Assembly.....	10
PRO2 Base Assembly.....	11
PRO2 Handle Left Crank Assembly.....	12
PRO2 Handle Right Crank Assembly.....	13
PRO2 Idler Assembly.....	14
PRO2 Left & Right Covers Charcoal.....	15
PRO2 Spindle Crank.....	16
PRO2 43 Chain Long Assembly.....	17
PRO2 43 Chain Short Assembly.....	18
Seat, Fixed, Low Back, Sport, Assembly 670-000001 - 670-009615.....	19
Seat, Standard 670-009616 to Current.....	20
Spindle Bearing Drive Assembly.....	21
43 Sprocket Bi Directional Assembly.....	22
43 Sprocket Jack Shaft Pulley Assembly.....	23

Adjustable Left and Right Feet Crank Assembly



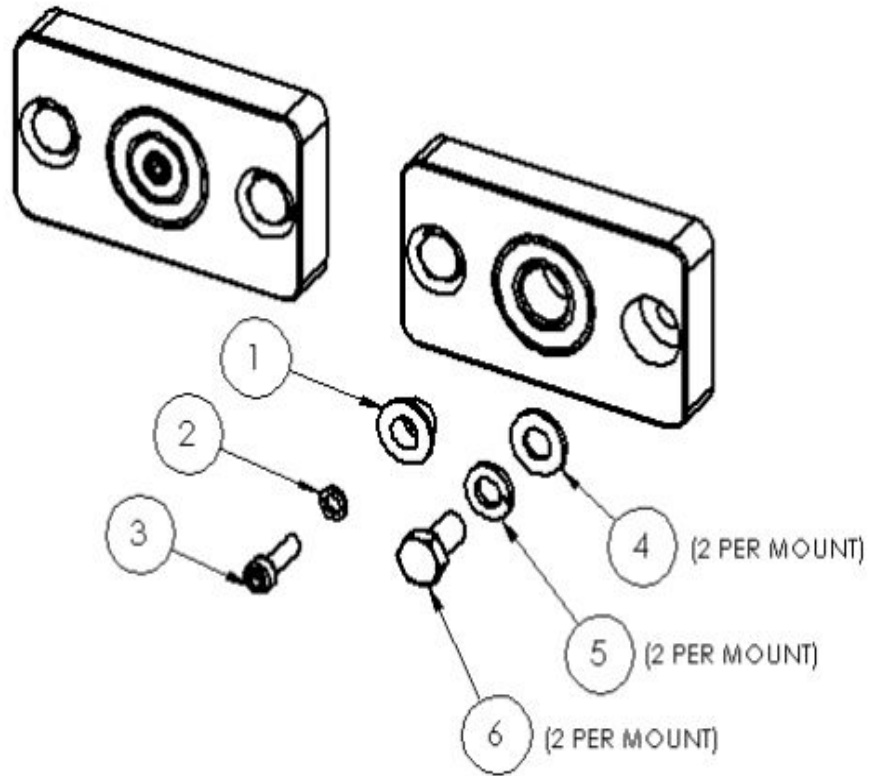
Ref #	Part Number	Qty	Description
1	A1867	1	Assy. Crank Lower Left
2	A1868	1	Assy. Crank Lower Right
3	P2709	2	Washer Pedal Hardened 9/16
4	P2275	1	Pedal Bike Pair 9/16"-20
5	A3780	2	Assy. Hub Crank PRO Mono
6	10537-08370	4	.25 ID x .835 OD F/W
7	94049	4	1/4"-20 x 1/2" Zinc BSCS
8	A5380	2	Assy Pop-Pin Hub Flange Knob
9	P3111	2	Screw Set Socket Point Flat 5/8-18 x .75
10	P3110	2	Screw Set Socket Point Flat 5/8-18 x .5
11	P5174	8	Bushing IGUS Hub MSI-1012-08 P
12	P1756	1	Bearing Iigus rod handcrank

Bearing Mount Bi Directional Assembly



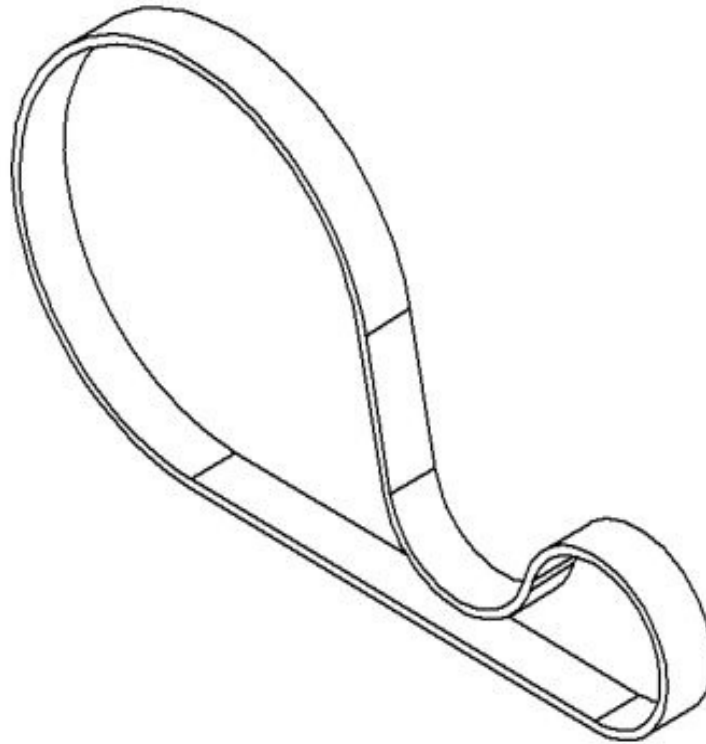
Ref #	Part Number	Qty	Description
1	A1972	2	Washer Retain. Bearing Recess
2	33614	2	#10 Zinc Split L/W
3	93165	2	#10-32 x 5/8" Zinc SCS
4	33080	4	5/16" Zinc F/W
5	33892	4	5/16" Yellow Zinc Split L/W
6	13052	4	5/16"-18 x 5/8" Zinc HCS
-	S4748	1	Kit (1pr.) Bearing Mount Bi-

Bearing Mount Jack Shaft Assembly



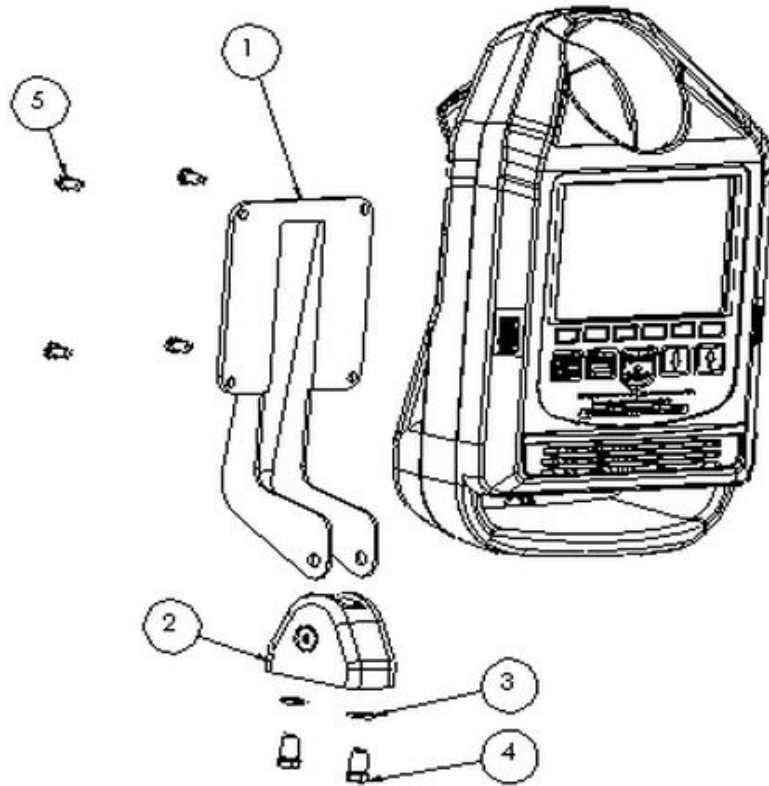
Ref #	Part Number	Qty	Description
1	A1972	2	Washer Retain. Bearing Recess
2	33614	2	#10 Zinc Split L/W
3	93165	2	#10-32 x 5/8" Zinc SCS
4	33080	4	5/16" Zinc F/W
5	33892	4	5/16" Yellow Zinc Split L/W
6	13052	4	5/16"-18 x 5/8" Zinc HCS
-	S4747	1	Kit (1 pr) Bearing Mount Jac

Belt Poly-V



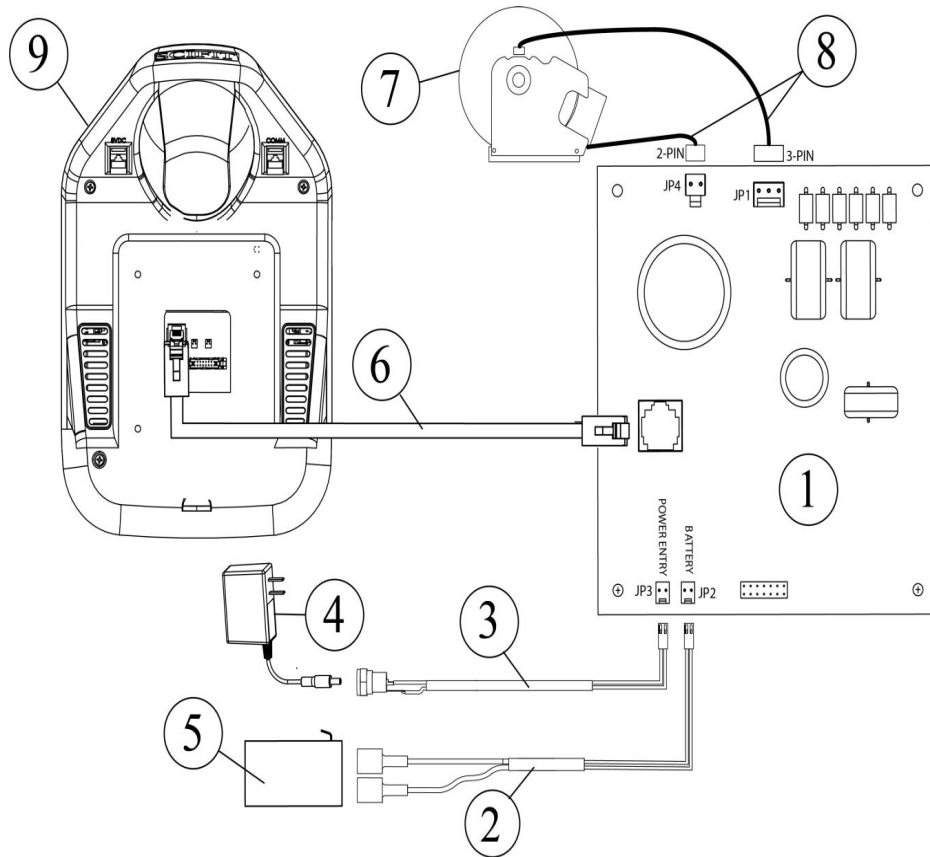
Ref #	Part Number	Qty	Description
1	P1664	1	Belt Poly-V J8 310

Bracket Support Console



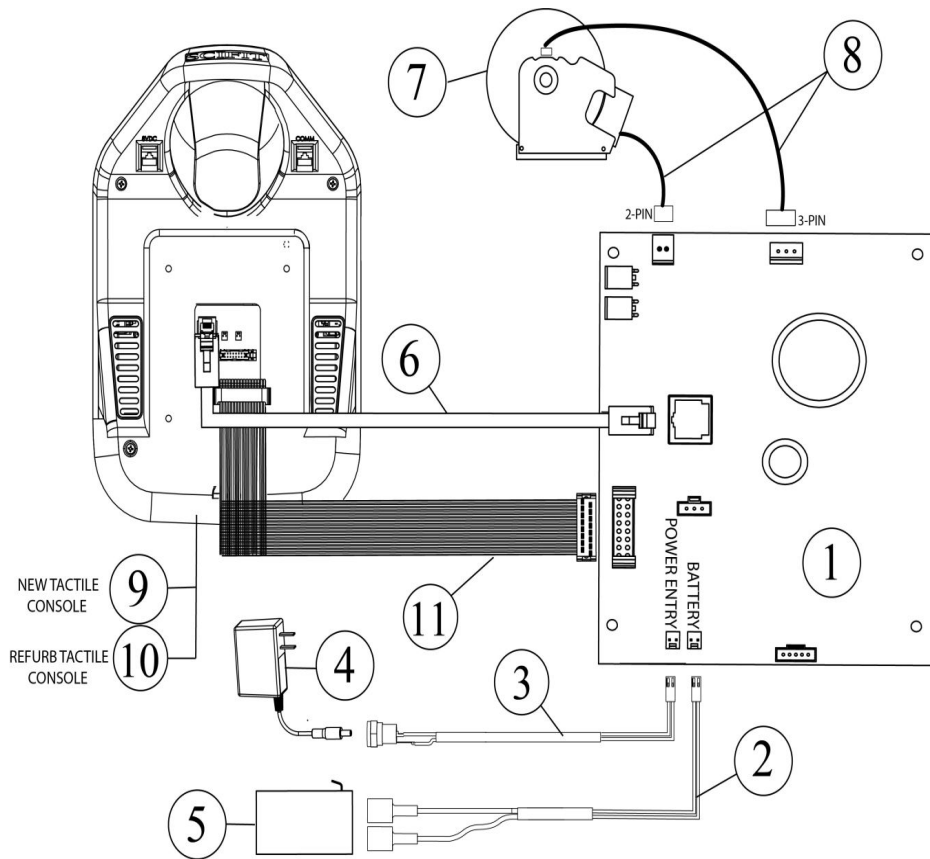
Ref #	Part Number	Qty	Description
1	A4659	1	DISPLAY ADJ PRO LCD V2
2	S5791	1	Kit Quadrant W/HW Post 4/13 PR
3	33892	2	5/16" Yellow Zinc Split L/W
4	13052	2	5/16"-18 x 5/8" Zinc HCS
5	10537-09060	4	Screw M5 x 12mm Phil Black Zinc

Lower Board And Wires - Post 5-2013



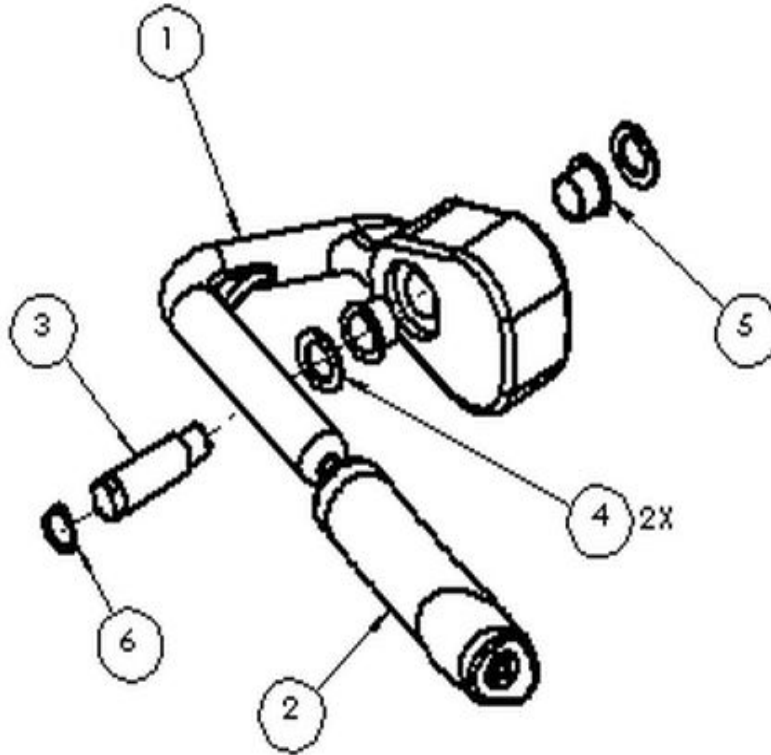
Ref #	Part Number	Qty	Description
1	A5361	1	Kit A5005 W/Mounting Bracket
2	P1833	1	Cable Battery Cordless
3	P3307	1	Cable Power Entry PRO
4	P4861	1	SCIFIT POWER SUPPLY AC ADAPTER WALL PACK 18V
5	P1564	1	Battery Rechargeable Cordless
6	P4741	1	Cable Comm 50" Intelli PRO2/10
7	S3611	1	Kit Brake Cordless PRO w/o Bra
8	S4454	1	CABLES IND. BRAKE 3 & 2 PIN
9	LCD-EN-01	1	SCIFIT LCD Console English
9	LCD-EN-01	1	SCIFIT LCD Console English
9	LCD-EN-01	1	SCIFIT LCD Console English
9	LCD-EN-01	1	SCIFIT LCD Console English
9	LCD-EN-01	1	SCIFIT LCD Console English
9	LCD-EN-01	1	SCIFIT LCD Console English
9	LCD-EN-01	1	SCIFIT LCD Console English
9	LCD-EN-01	1	SCIFIT LCD Console English
9	LCD-EN-01	1	SCIFIT LCD Console English
9	LCD-EN-01	1	SCIFIT LCD Console English
9	LCD-EN-01	1	SCIFIT LCD Console English

Lower Board And Wires - Pre 5-2013



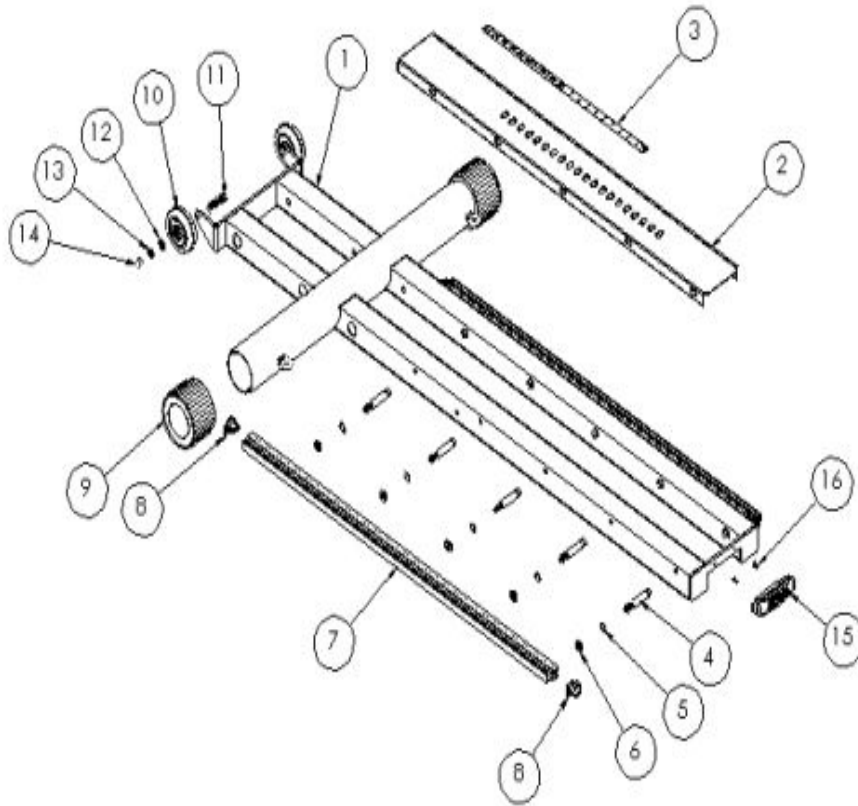
Ref #	Part Number	Qty	Description
1	S6189	1	Kit A5361 W/Tactile Firm PRE 5
2	P1833	1	Cable Battery Cordless
3	P3307	1	Cable Power Entry PRO
4	P4861	1	SCIFIT POWER SUPPLY AC ADAPTER WALL PACK 18V
5	P1564	1	Battery Rechargable Cordless
6	P4741	1	Cable Comm 50" Intelli PRO2/10
7	S3611	1	Kit Brake Cordless PRO w/o Bra
8	S4454	1	CABLES IND. BRAKE 3 & 2 PIN
9	S5195	1	Kit A4604/Strain Relief.Wirele
10	S5196R	1	Kit A4604R/Strain Relief.Wirel
11	A5190	1	Cable Assy Display 79" V2

PRO Standard Gray Handle Assembly



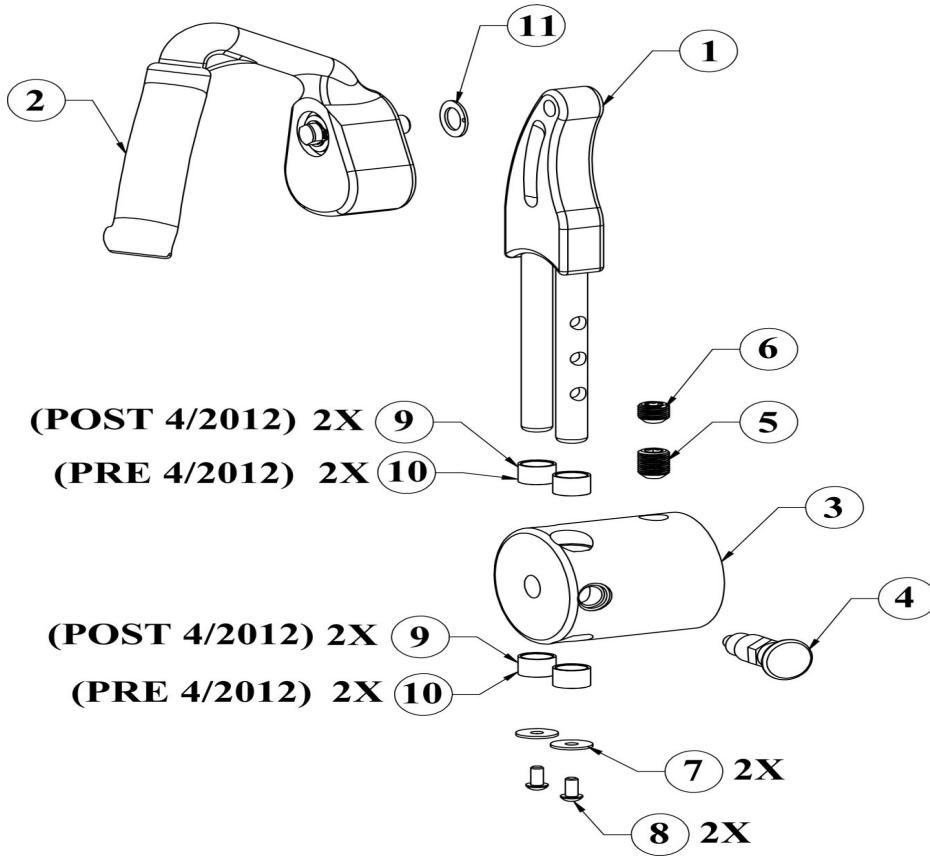
Ref #	Part Number	Qty	Description
1	A1993	1	NLA: Handle Handcrank PRO
2	P4610	1	GRIP HANDLE HANDCRANK PRO V2
3	A2534	1	Shaft Handcrank
4	A1591	2	Washer IGUS Handcrank Modified
5	P1173	2	Brg. Flnged IGUS 5/8 Handc
6	68013	1	Snap Ring .588 ID x .035THK
-	S4863	1	KIT ASSY HANDCRANK PRO V2

PRO2 Base Assembly



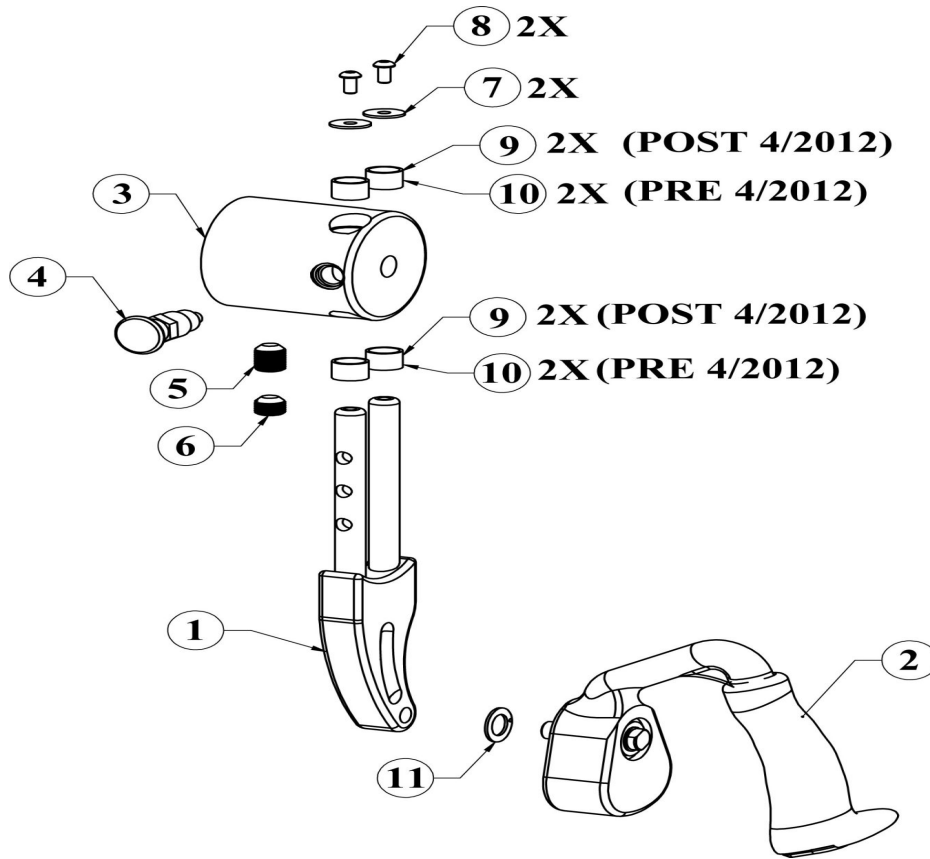
Ref #	Part Number	Qty	Description
1	C3240-CH	1	Frame Base PRO Charcoal
2	A3241	1	Track Adj. SS PRO Monocoque
3	P1982	1	Decal Number 1" Spacing 1- 20
4	13064	10	5/16"-18 x 2-3/4" Zinc HCS
5	33712	10	5/16" Zinc Internal Tooth L/W
6	37622	10	5/16"-18 Zinc Square Nut
7	A3299	2	Extrusion Rail Roller 37.5" PR
8	A5215	4	Endcap Cover Extrusion Rail
9	A1890	2	Cap Base 3" Adj. 65 Durometer
10	P2144	2	Wheel Front PRO II
11	73783	2	5/16"-18 x 1-3/4" Stnlss BSCS
12	33080	2	5/16" Zinc F/W
13	33892	2	5/16" Yellow Zinc Split L/W
14	70961	2	5/16"-18 Stnlss Stl Acorn Nut
15	A5449	1	HANDLE LIFT STEP 1
16	0142859	2	KIT:6 X 5/8 ZINC PHLLPS PH PLSTC S

PRO2 Handle Left Crank Assembly



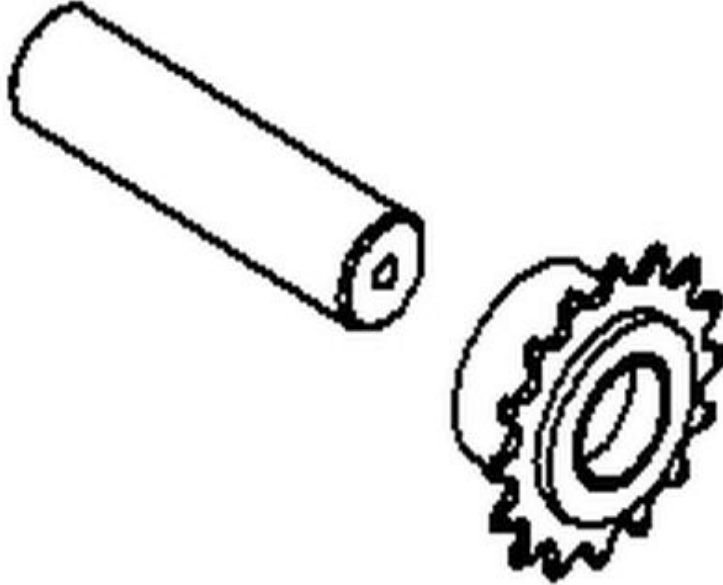
Ref #	Part Number	Qty	Description
1	A1869	1	Assy. Crank Upper Left
2	S4863	1	KIT ASSY HANDCRANK PRO V2
3	A3781	1	Assy. Hub Crank PRO Upper
4	A5380	1	Assy Pop-Pin Hub Flange Knob
5	P3111	1	Screw Set Socket Point Flat 5/8-18 x .75
6	P3110	1	Screw Set Socket Point Flat 5/8-18 x .5
7	10537-08370	2	.25 ID x .835 OD F/W
8	94049	2	1/4"-20 x 1/2" Zinc BSCS
9	P5174	4	Bushing IGUS Hub MSI-1012-08 P
10	P1756	1	Bearing Igus rod handcrank
11	A1591	1	Washer IGUS Handcrank Modified

PRO2 Handle Right Crank Assembly



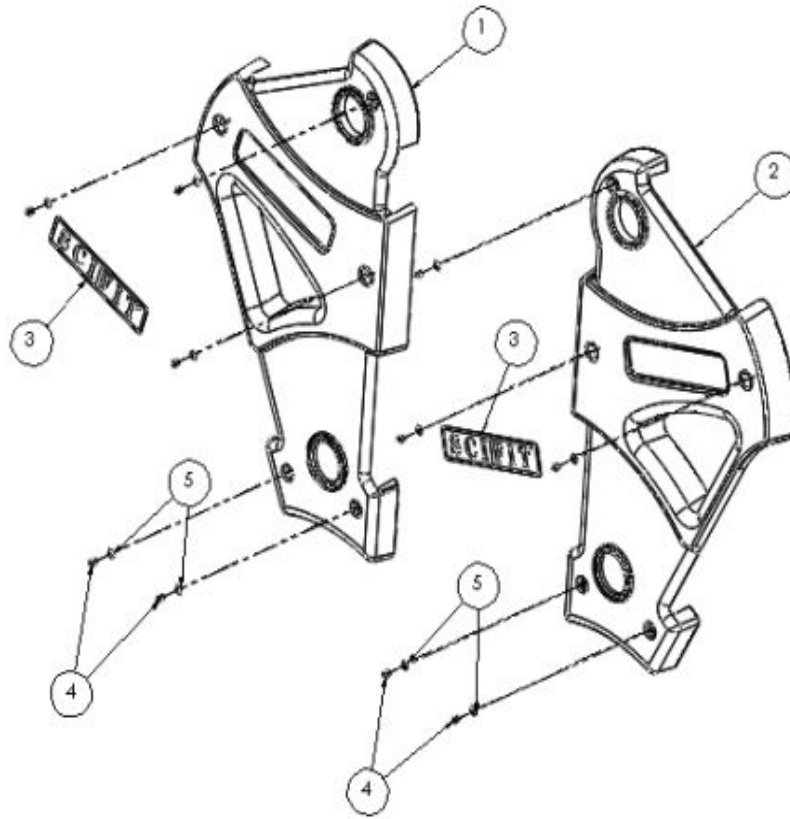
Ref #	Part Number	Qty	Description
1	A1870	1	Assy. Crank Upper Right
2	S4863	1	KIT ASSY HANDCRANK PRO V2
3	A3781	1	Assy. Hub Crank PRO Upper
4	A5380	1	Assy Pop-Pin Hub Flange Knob
5	P3111	1	Screw Set Socket Point Flat 5/8-18 x .75
6	P3110	1	Screw Set Socket Point Flat 5/8-18 x .5
7	10537-08370	2	.25 ID x .835 OD F/W
8	94049	2	1/4"-20 x 1/2" Zinc BSCS
9	P5174	4	Bushing IGUS Hub MSI-1012-08 P
10	P1756	1	Bearing Igus rod handcrank
11	A1591	1	Washer IGUS Handcrank Modified

PRO2 Idler Assembly



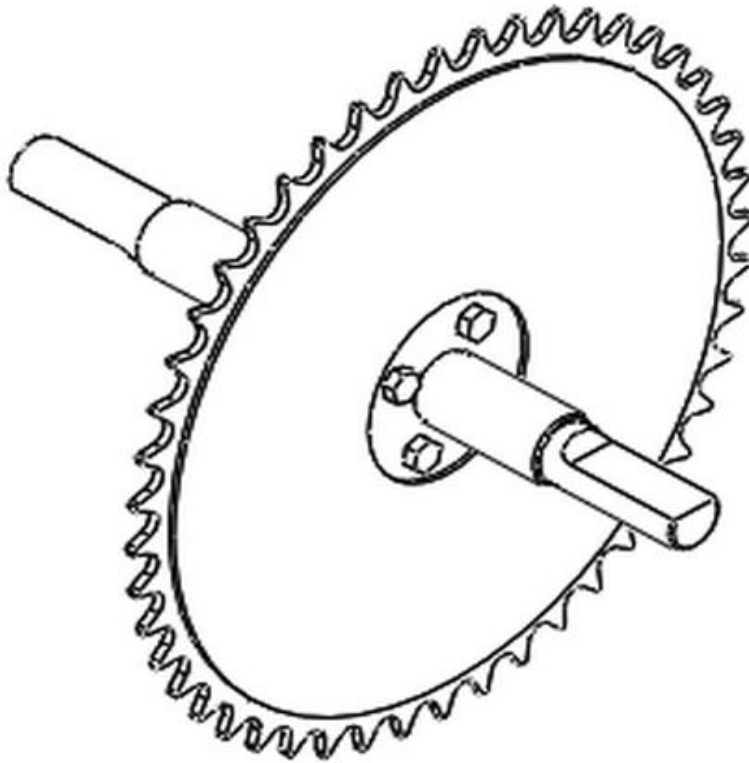
Ref #	Part Number	Qty	Description
-	A3447	1	Kit Idler Chain Assy.PRO

PRO2 Left & Right Covers Charcoal



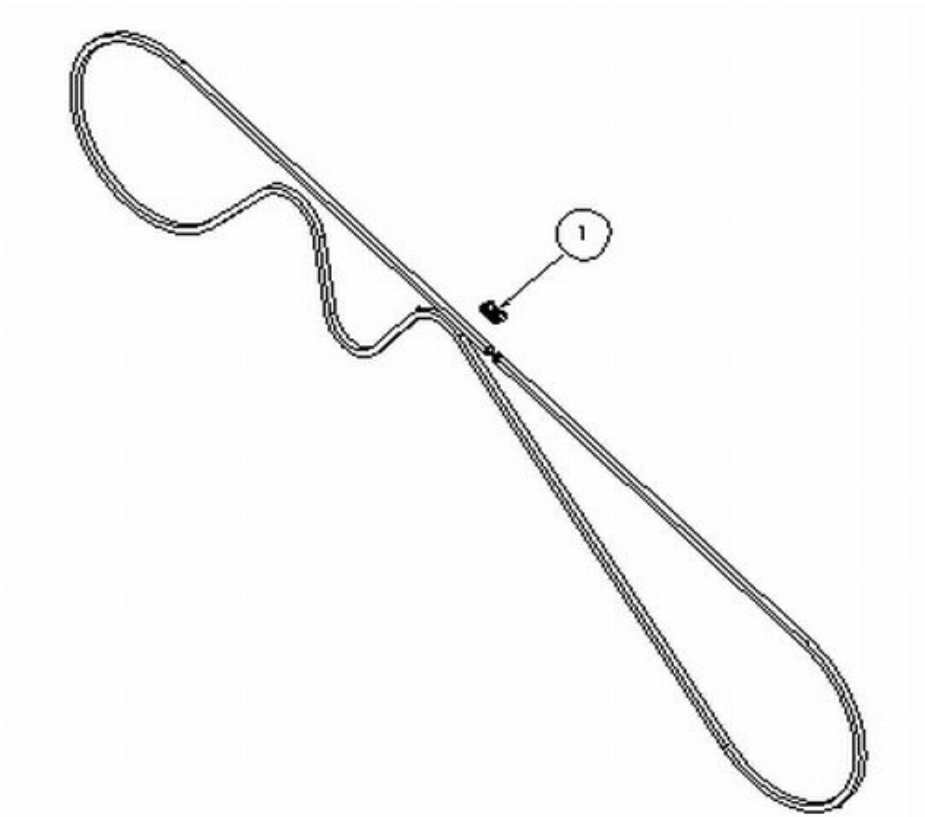
Ref #	Part Number	Qty	Description
1	A3227	1	Kit Cover Left PRO 2 Monocoque
2	A3228	1	Kit Cover Right PRO 2 Monocoqu
3	P1100	1	DECAL SCIFIT 2.75 X 12
4	11252705	10	10-32 x 1/2 BLZ PPMS
5	P1921	10	Washer cover plastic

PRO2 Spindle Crank



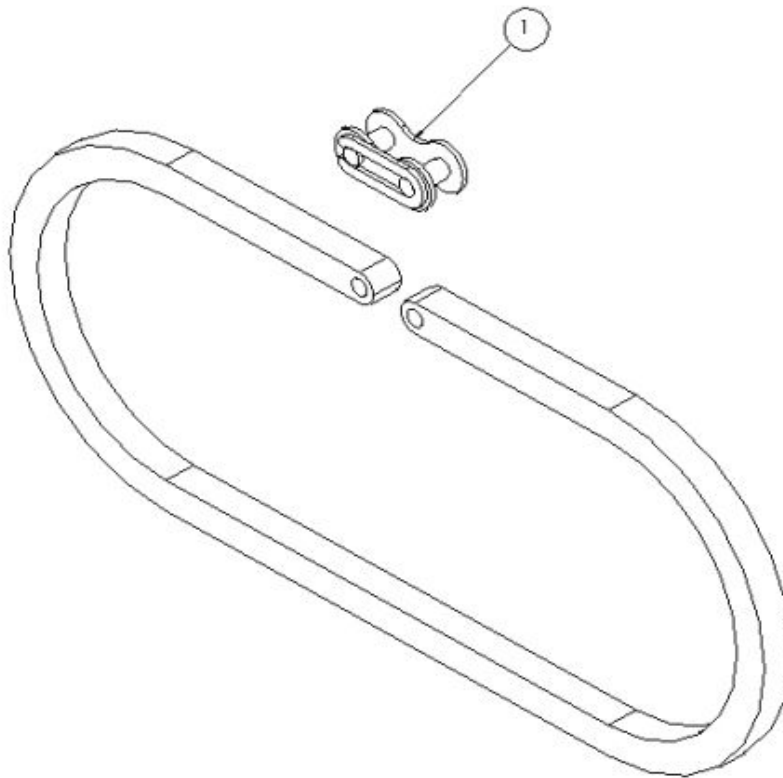
Ref #	Part Number	Qty	Description
-	A3797	1	KIT PRO SPINDLE ASSY #43 CHAIN

PRO2 43 Chain Long Assembly



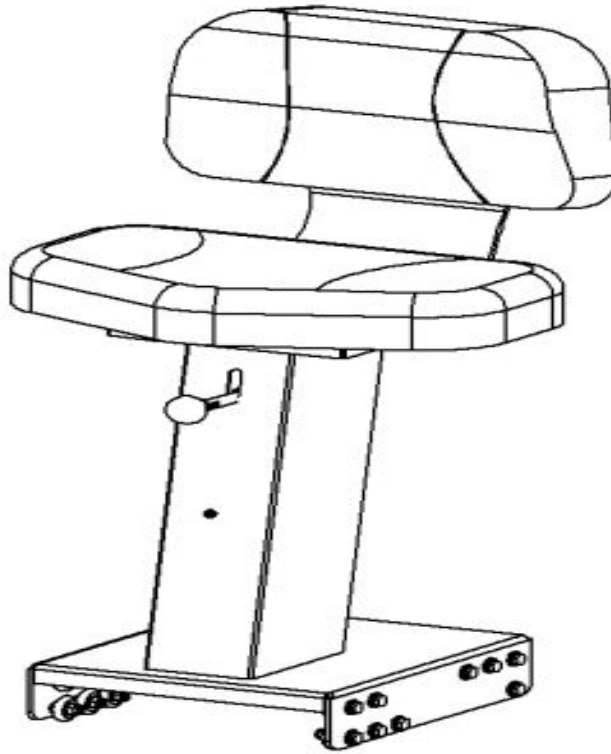
Ref #	Part Number	Qty	Description
1	P2234	1	Link Master Chain #43
-	P3739	1	Kit Chain Long 188P #43 PRO 2

PRO2 43 Chain Short Assembly



Ref #	Part Number	Qty	Description
1	P2234	1	Link Master Chain #43
-	A3456	1	Chain kit PRO100's (Short) #43 32P 16"

Seat, Fixed, Low Back, Sport, Assembly
670-000001 - 670-009615



PLEASE SEE: S3190-CH

Ref #	Part Number	Qty	Description
-	S3190-CH	1	Kit,Seat,Fixed LB,PRO,Charcoal

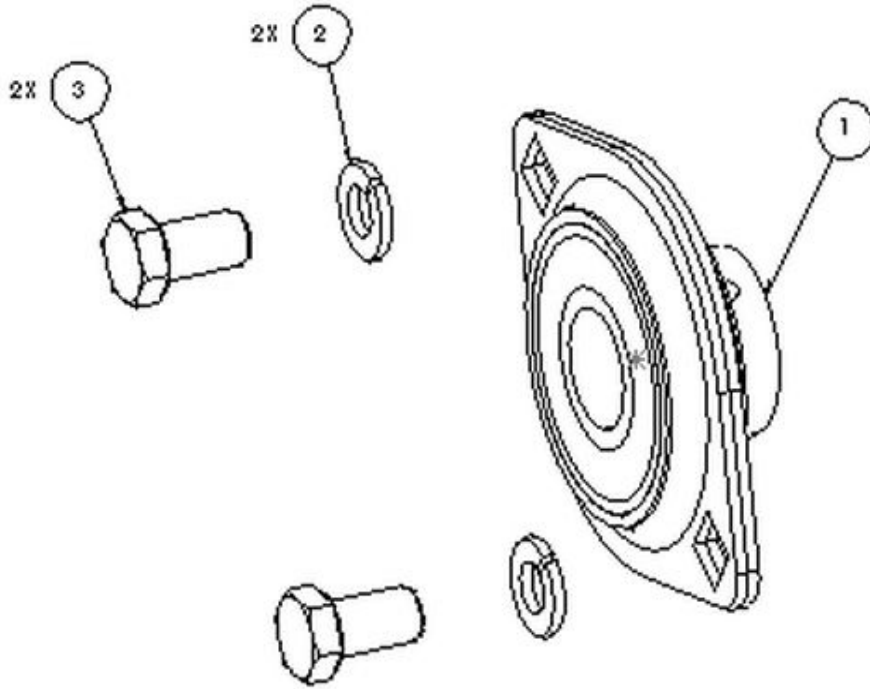
Seat, Standard 670-009616 to Current



PLEASE SEE: STND-SEAT-01

Ref #	Part Number	Qty	Description
-	STND-SEAT-01	1	SCIFIT Standard Seat

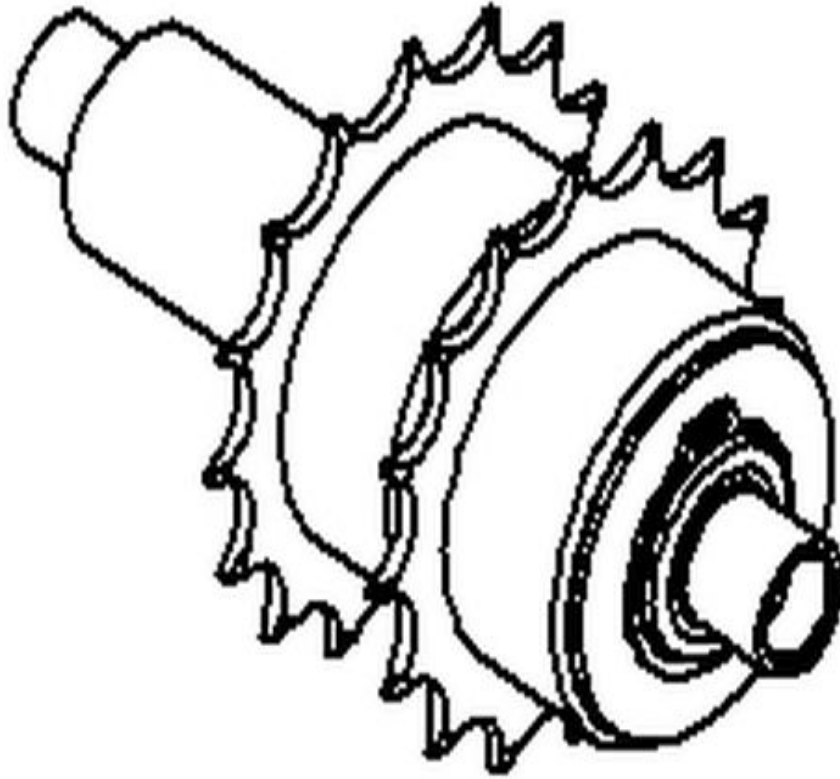
Spindle Bearing Drive Assembly



4X SETS REQUIRED PER UNIT

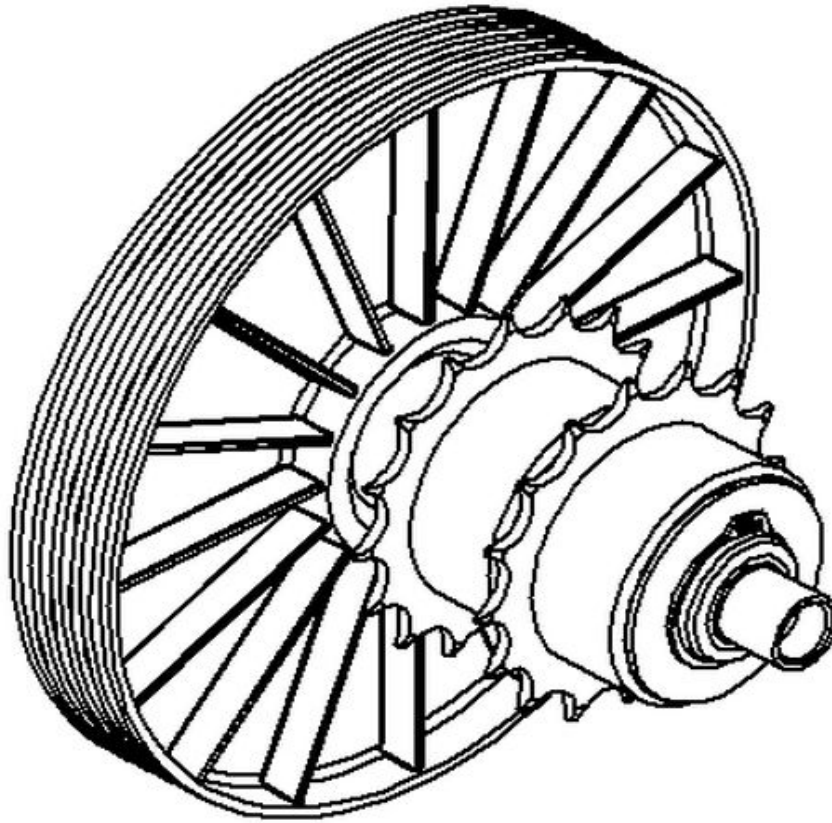
Ref #	Part Number	Qty	Description
1	P1096	1	Bearing Spindle Drive SB204-12
2	33892	2	5/16" Yellow Zinc Split L/W
3	13052	2	5/16"-18 x 5/8" Zinc HCS

43 Sprocket Bi Directional Assembly



Ref #	Part Number	Qty	Description
-	A3589	1	Kit Bi-Direct. Assy #43 PRO

43 Sprocket Jack Shaft Pulley Assembly



Ref #	Part Number	Qty	Description
-	A3588	1	Kit Shaft Jack Conversion Mono

