

TOTAL BODY ERGO PREM SEAT ADJ CRANK COOL GRAY ISBU

PRO235-INT

Parts Manual

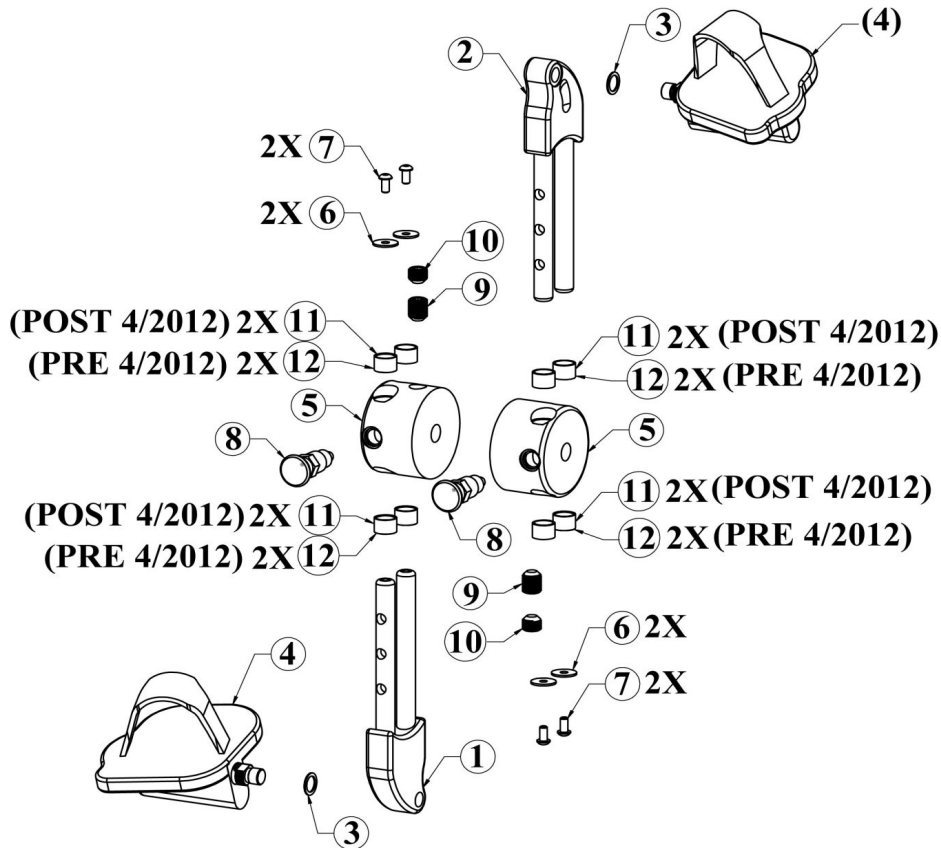
1/17/2019 12:41:38 PM



Table of Contents

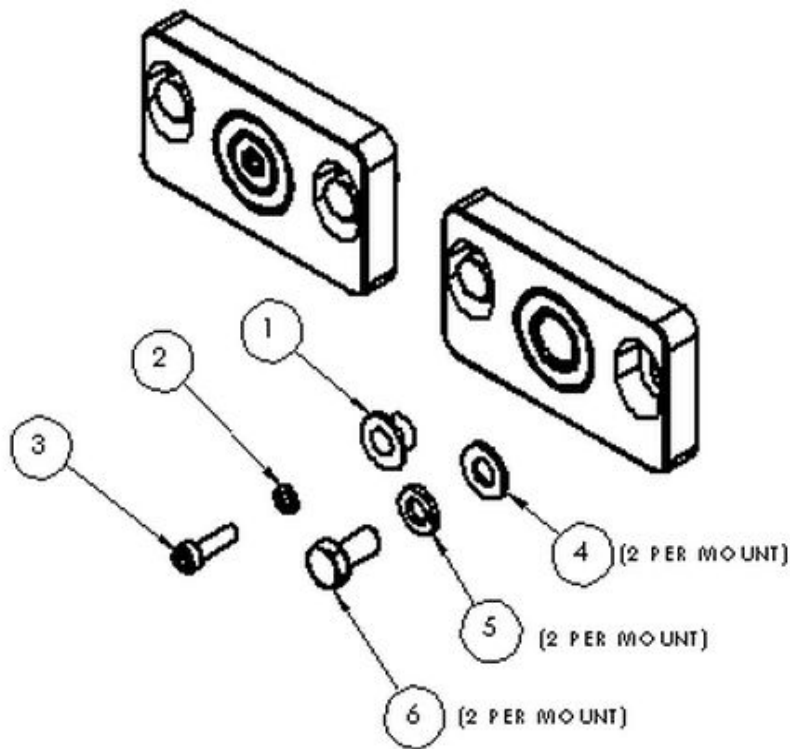
Adjustable Left and Right Feet Crank Assembly.....	3
Bearing Mount Bi Directional Assembly.....	4
Bearing Mount Jack Shaft Assembly.....	5
Belt Poly-V.....	6
Bracket Support Console.....	7
Premium Seat - 660-016119 - Current.....	8
PRO Bucket Seat Assembly - 660-000001 - 660-016105.....	9
PRO Standard Gray Handle Assembly.....	10
PRO2 Base Assembly.....	11
PRO2 Handle Left Crank Assembly.....	12
PRO2 Handle Right Crank Assembly.....	13
PRO2 Idler Assembly.....	14
PRO2 International Wiring Post 5-2013.....	15
PRO2 International Wiring Pre 5-2013.....	16
PRO2 Left & Right Covers Charcoal.....	17
PRO2 Left & Right Covers White.....	18
PRO2 Spindle Crank.....	19
PRO2 43 Chain Long Assembly.....	20
PRO2 43 Chain Short Assembly.....	21
Spindle Bearing Drive Assembly.....	22
43 Sprocket Bi Directional Assembly.....	23
43 Sprocket Jack Shaft Pulley Assembly.....	24

Adjustable Left and Right Feet Crank Assembly



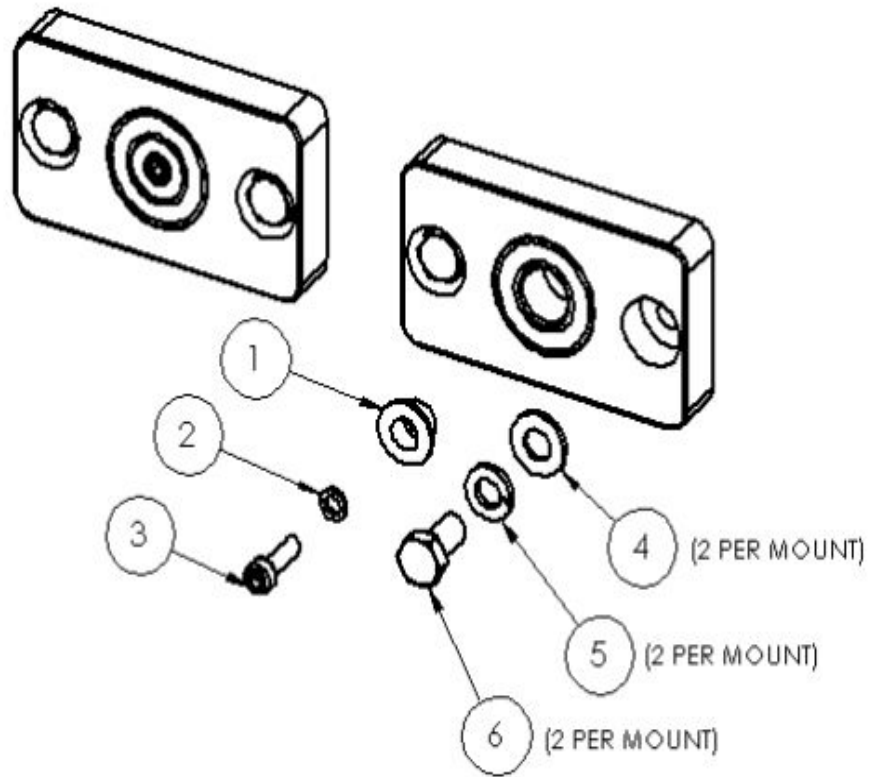
Ref #	Part Number	Qty	Description
1	A1867	1	Assy. Crank Lower Left
2	A1868	1	Assy. Crank Lower Right
3	P2709	2	Washer Pedal Hardened 9/16
4	P2275	1	Pedal Bike Pair 9/16"-20
5	A3780	2	Assy. Hub Crank PRO Mono
6	10537-08370	4	.25 ID x .835 OD F/W
7	94049	4	1/4"-20 x 1/2" Zinc BSCS
8	A5380	2	Assy Pop-Pin Hub Flange Knob
9	P3111	2	Screw Set Socket Point Flat 5/8-18 x .75
10	P3110	2	Screw Set Socket Point Flat 5/8-18 x .5
11	P5174	8	Bushing IGUS Hub MSI-1012-08 P
12	P1756	1	Bearing Iigus rod handcrank

Bearing Mount Bi Directional Assembly



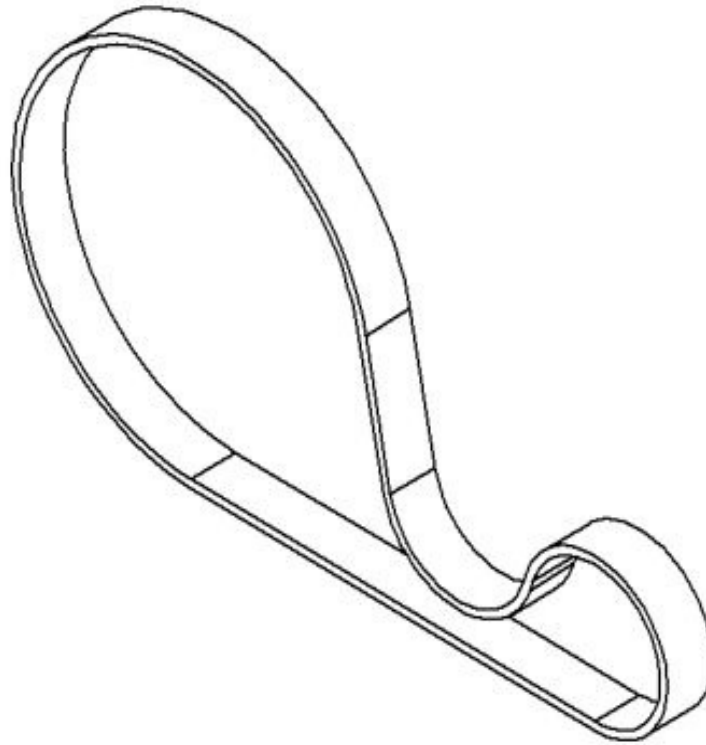
Ref #	Part Number	Qty	Description
1	A1972	2	Washer Retain. Bearing Recess
2	33614	2	#10 Zinc Split L/W
3	93165	2	#10-32 x 5/8" Zinc SCS
4	33080	4	5/16" Zinc F/W
5	33892	4	5/16" Yellow Zinc Split L/W
6	13052	4	5/16"-18 x 5/8" Zinc HCS
-	S4748	1	Kit (1pr.) Bearing Mount Bi-

Bearing Mount Jack Shaft Assembly



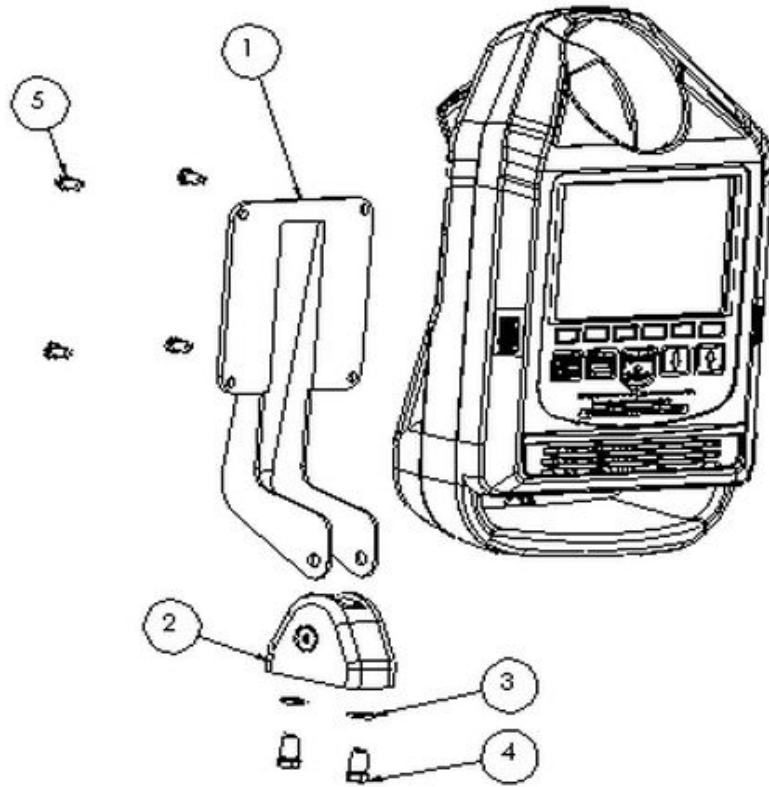
Ref #	Part Number	Qty	Description
1	A1972	2	Washer Retain. Bearing Recess
2	33614	2	#10 Zinc Split L/W
3	93165	2	#10-32 x 5/8" Zinc SCS
4	33080	4	5/16" Zinc F/W
5	33892	4	5/16" Yellow Zinc Split L/W
6	13052	4	5/16"-18 x 5/8" Zinc HCS
-	S4747	1	Kit (1 pr) Bearing Mount Jac

Belt Poly-V



Ref #	Part Number	Qty	Description
1	P1664	1	Belt Poly-V J8 310

Bracket Support Console



Ref #	Part Number	Qty	Description
1	A4659	1	DISPLAY ADJ PRO LCD V2
2	S5791	1	Kit Quadrant W/HW Post 4/13 PR
3	33892	2	5/16" Yellow Zinc Split L/W
4	13052	2	5/16"-18 x 5/8" Zinc HCS
5	10537-09060	4	Screw M5 x 12mm Phil Black Zinc

Premium Seat - 660-016119 - Current



PLEASE SEE: PREM-SEAT-01

Ref #	Part Number	Qty	Description
-	PREM-SEAT-01	1	SCIFIT Premium Seat

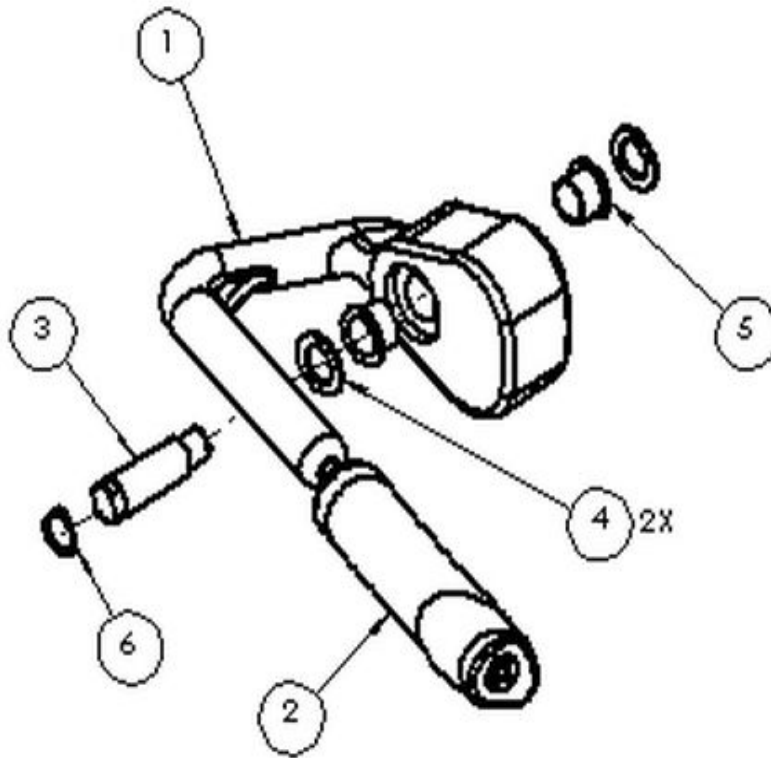
**PRO Bucket Seat Assembly - 660-000001 -
660-016105**



PLEASE SEE: S3198-CH

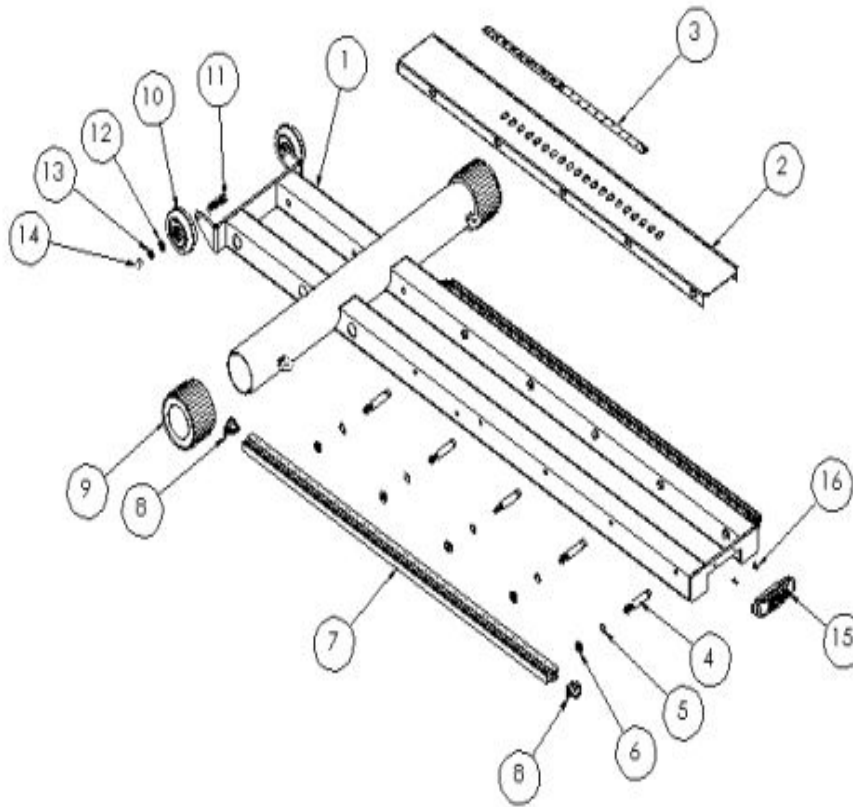
Ref #	Part Number	Qty	Description
-	S3198-CH	1	Kit Seat Assy Adj. PRO Charcoa

PRO Standard Gray Handle Assembly



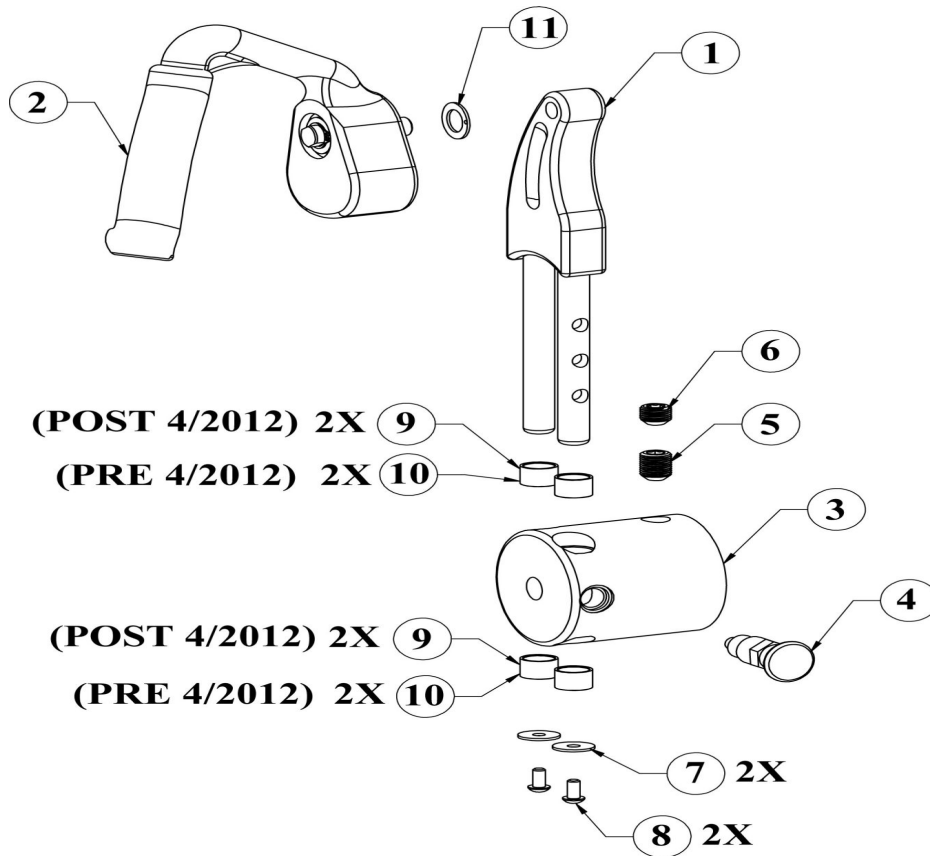
Ref #	Part Number	Qty	Description
1	A1993	1	NLA: Handle Handcrank PRO
2	P4610	1	GRIP HANDLE HANDCRANK PRO V2
3	A2534	1	Shaft Handcrank
4	A1591	2	Washer IGUS Handcrank Modified
5	P1173	2	Brg. Flnged IGUS 5/8 Handc
6	68013	1	Snap Ring .588 ID x .035THK
-	S4863	1	KIT ASSY HANDCRANK PRO V2

PRO2 Base Assembly



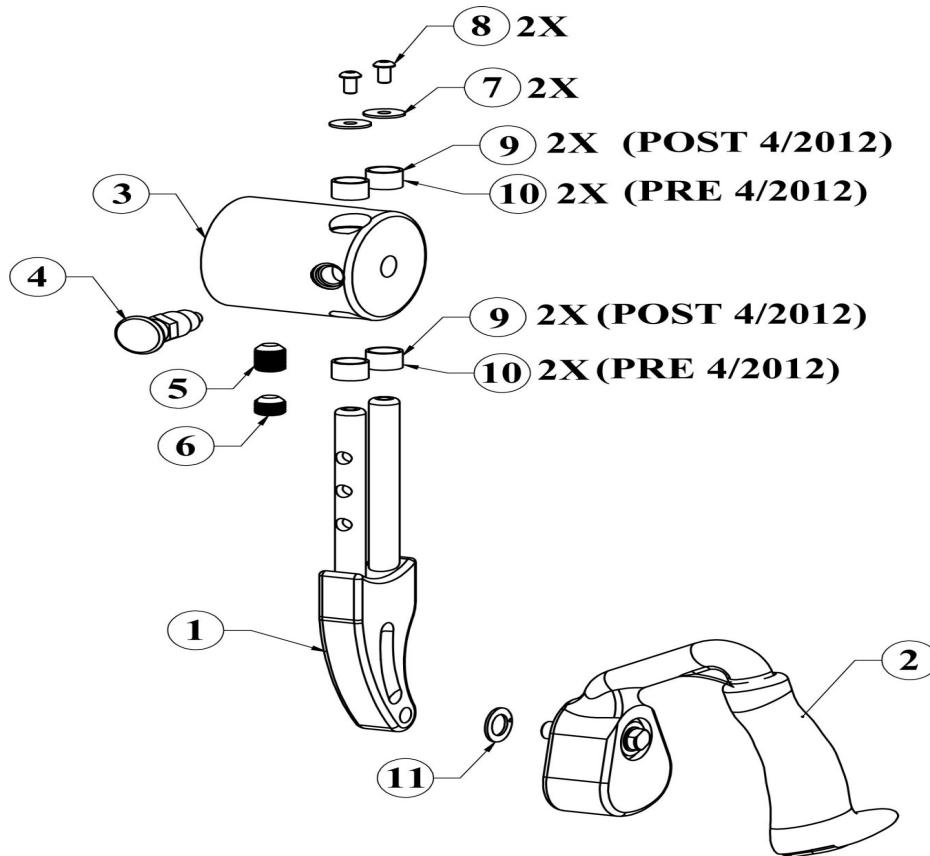
Ref #	Part Number	Qty	Description
1	C3240-CH	1	Frame Base PRO Charcoal
2	A3241	1	Track Adj. SS PRO Monocoque
3	P1982	1	Decal Number 1" Spacing 1- 20
4	13064	10	5/16"-18 x 2-3/4" Zinc HCS
5	33712	10	5/16" Zinc Internal Tooth L/W
6	37622	10	5/16"-18 Zinc Square Nut
7	A3299	2	Extrusion Rail Roller 37.5" PR
8	A5215	4	Endcap Cover Extrusion Rail
9	A1890	2	Cap Base 3" Adj. 65 Durometer
10	P2144	2	Wheel Front PRO II
11	73783	2	5/16"-18 x 1-3/4" Stnlss BSCS
12	33080	2	5/16" Zinc F/W
13	33892	2	5/16" Yellow Zinc Split L/W
14	70961	2	5/16"-18 Stnlss Stl Acorn Nut
15	A5449	1	HANDLE LIFT STEP 1
16	0142859	2	KIT:6 X 5/8 ZINC PHLLPS PH PLSTC S

PRO2 Handle Left Crank Assembly



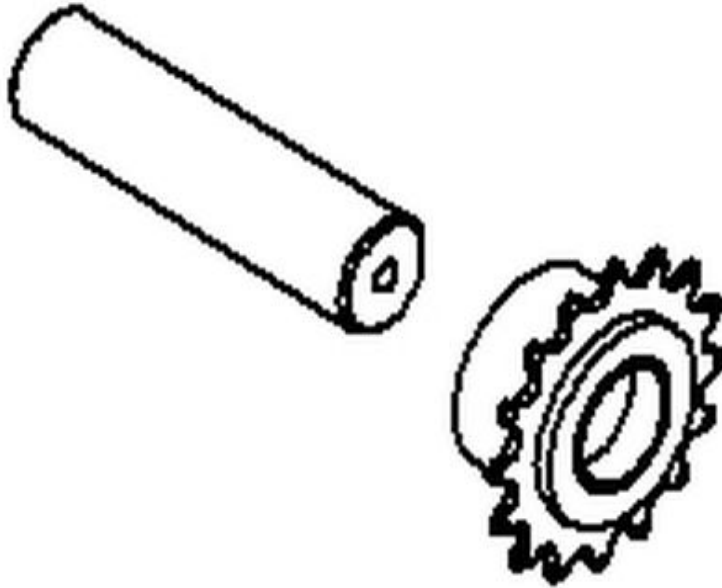
Ref #	Part Number	Qty	Description
1	A1869	1	Assy. Crank Upper Left
2	S4863	1	KIT ASSY HANDCRANK PRO V2
3	A3781	1	Assy. Hub Crank PRO Upper
4	A5380	1	Assy Pop-Pin Hub Flange Knob
5	P3111	1	Screw Set Socket Point Flat 5/8-18 x .75
6	P3110	1	Screw Set Socket Point Flat 5/8-18 x .5
7	10537-08370	2	.25 ID x .835 OD F/W
8	94049	2	1/4"-20 x 1/2" Zinc BSCS
9	P5174	4	Bushing IGUS Hub MSI-1012-08 P
10	P1756	1	Bearing Igus rod handcrank
11	A1591	1	Washer IGUS Handcrank Modified

PRO2 Handle Right Crank Assembly



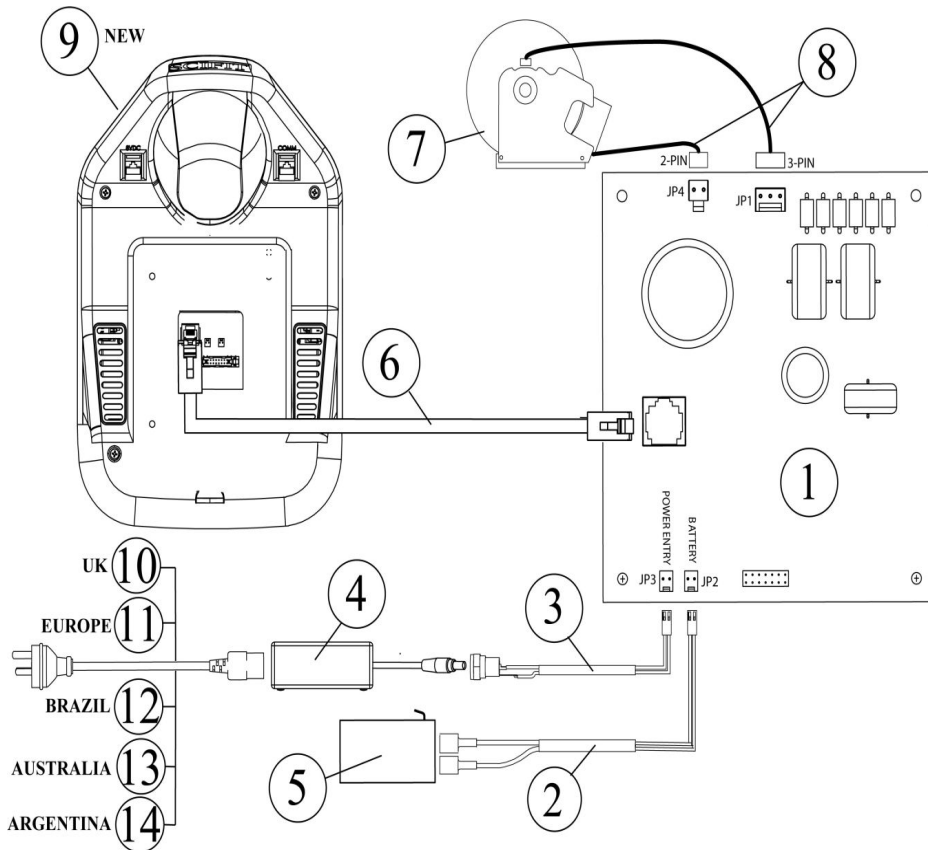
Ref #	Part Number	Qty	Description
1	A1870	1	Assy. Crank Upper Right
2	S4863	1	KIT ASSY HANDCRANK PRO V2
3	A3781	1	Assy. Hub Crank PRO Upper
4	A5380	1	Assy Pop-Pin Hub Flange Knob
5	P3111	1	Screw Set Socket Point Flat 5/8-18 x .75
6	P3110	1	Screw Set Socket Point Flat 5/8-18 x .5
7	10537-08370	2	.25 ID x .835 OD F/W
8	94049	2	1/4"-20 x 1/2" Zinc BSCS
9	P5174	4	Bushing IGUS Hub MSI-1012-08 P
10	P1756	1	Bearing Igus rod handcrank
11	A1591	1	Washer IGUS Handcrank Modified

PRO2 Idler Assembly



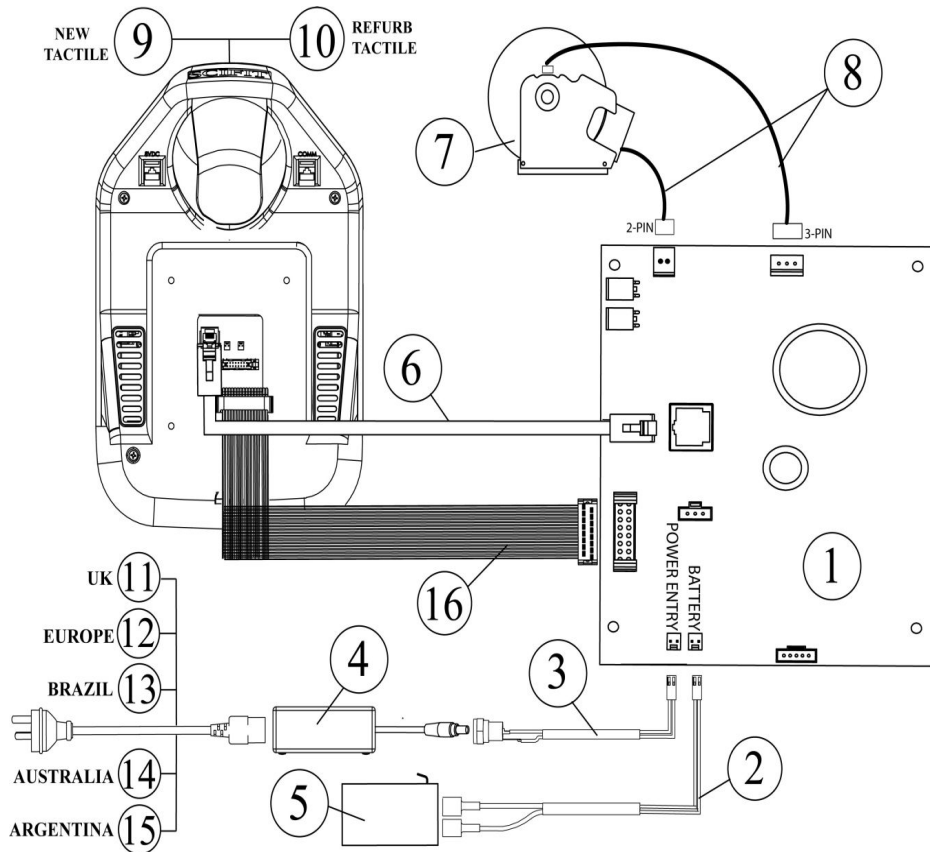
Ref #	Part Number	Qty	Description
-	A3447	1	Kit Idler Chain Assy.PRO

PRO2 International Wiring Post 5-2013



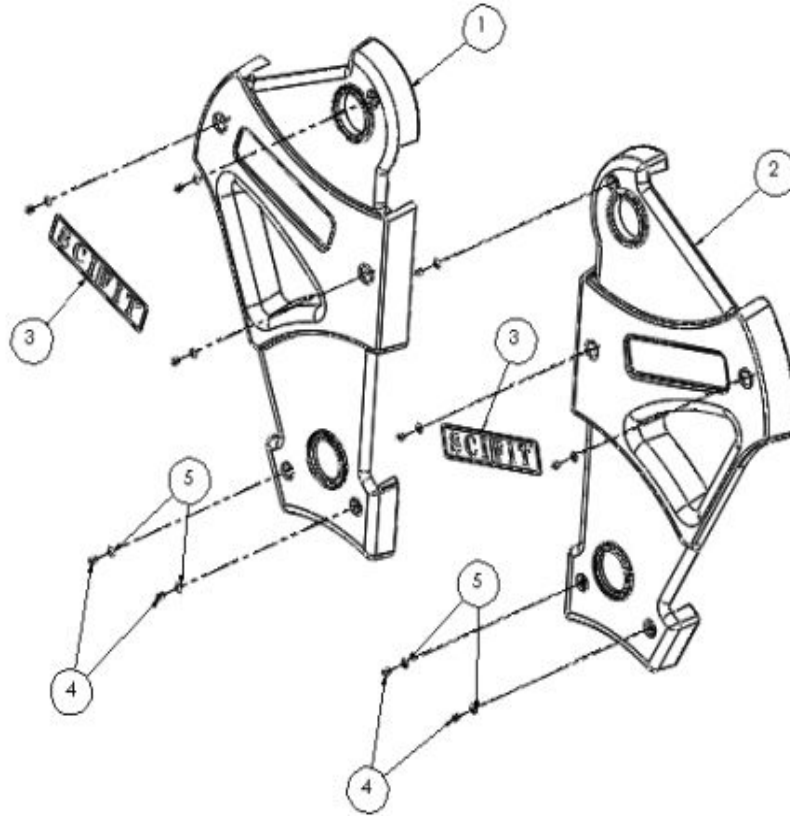
Ref #	Part Number	Qty	Description
1	A5361	1	Kit A5005 W/Mounting Bracket
2	P1833	1	Cable Battery Cordless
3	P3307	1	Cable Power Entry PRO
4	P5209	1	Power Supply Med/INT'L 18VDC 1A 120V-240VAC
5	P1564	1	Battery Rechargable Cordless
6	P4741	1	Cable Comm 50" Intelli PRO2/10
7	S3611	1	Kit Brake Cordless PRO w/o Bra
8	S4454	1	CABLES IND. BRAKE 3 & 2 PIN
9	LCD-EN-01	1	SCIFIT LCD Console English
9	LCD-EN-01	1	SCIFIT LCD Console English
9	LCD-EN-01	1	SCIFIT LCD Console English
9	LCD-EN-01	1	SCIFIT LCD Console English
9	LCD-EN-01	1	SCIFIT LCD Console English
9	LCD-EN-01	1	SCIFIT LCD Console English
9	LCD-EN-01	1	SCIFIT LCD Console English
9	LCD-EN-01	1	SCIFIT LCD Console English
9	LCD-EN-01	1	SCIFIT LCD Console English
9	LCD-EN-01	1	SCIFIT LCD Console English
10	P3725	1	Cord Power UK 18AWG 2.5m Lg. C
11	P3724	1	Cord Power Europe 18AWG 2.5m L
12	0017-00003-1053	1	LINE-CORD: BRAZIL, IEC-C13
13	P3726	1	Cord Power Australia 18AWG 2.5
14	0017-00003-1067	1	LINE-CORD: ARGENTINA, IRAM 2073, IEC-C13

PRO2 International Wiring Pre 5-2013



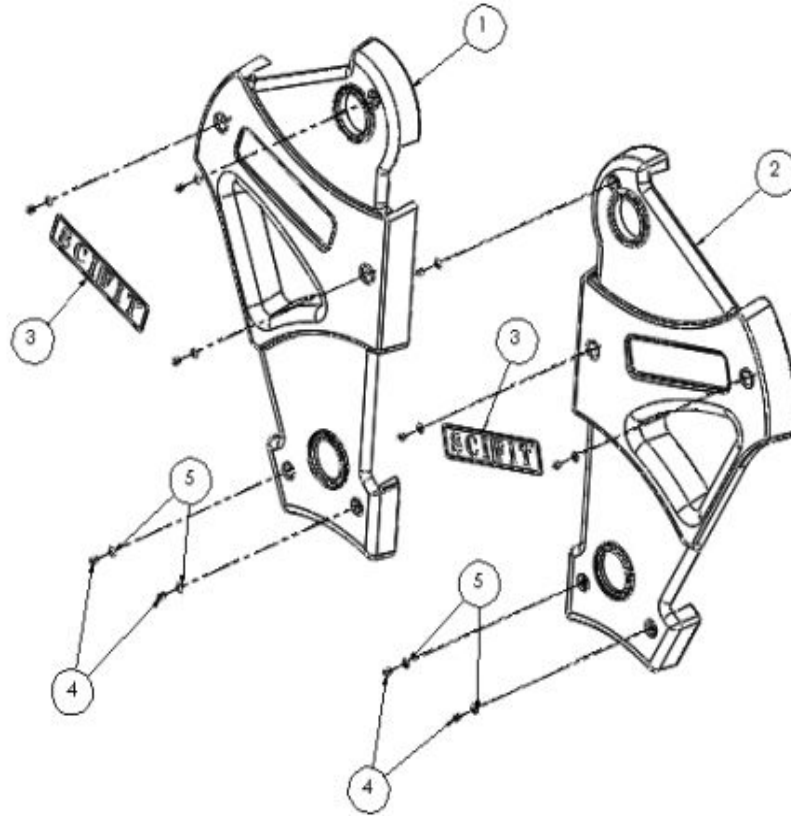
Ref #	Part Number	Qty	Description
1	S6189	1	Kit A5361 W/Tactile Firm PRE 5
2	P1833	1	Cable Battery Cordless
3	P3307	1	Cable Power Entry PRO
4	P5209	1	Power Supply Med/INT'L 18VDC 1A 120V-240VAC
5	P1564	1	Battery Rechargeable Cordless
6	P4741	1	Cable Comm 50" Intelli PRO2/10
7	S3611	1	Kit Brake Cordless PRO w/o Bra
8	S4454	1	CABLES IND. BRAKE 3 & 2 PIN
9	S5195	1	Kit A4604/Strain Relief.Wirele
10	S5196R	1	Kit A4604R/Strain Relief.Wirel
11	P3725	1	Cord Power UK 18AWG 2.5m Lg. C
12	P3724	1	Cord Power Europe 18AWG 2.5m L
13	0017-00003-1053	1	LINE-CORD: BRAZIL, IEC-C13
14	P3726	1	Cord Power Australia 18AWG 2.5
15	0017-00003-1067	1	LINE-CORD: ARGENTINA, IRAM 2073, IEC-C13
16	A5190	1	Cable Assy Display 79" V2

PRO2 Left & Right Covers Charcoal



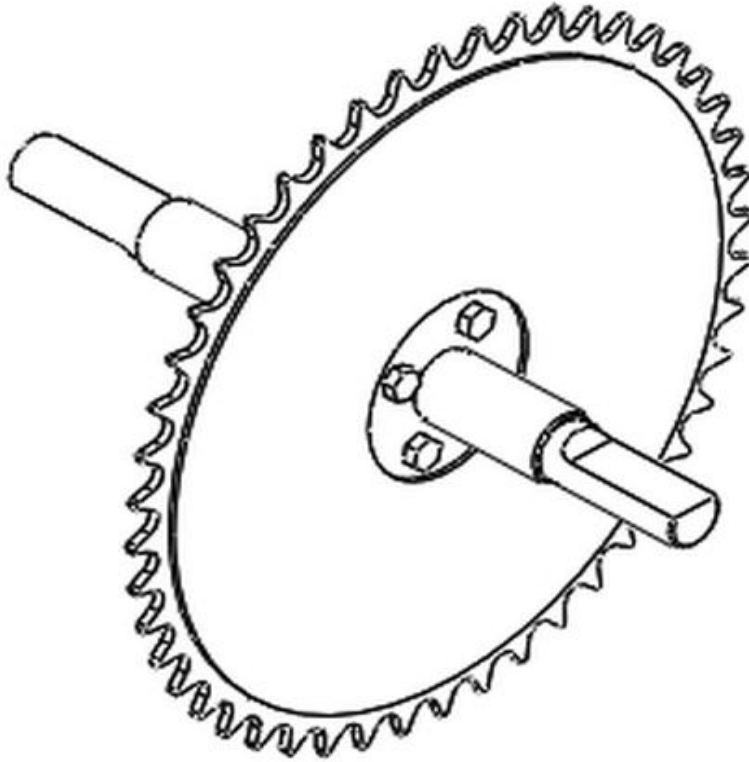
Ref #	Part Number	Qty	Description
1	A3227	1	Kit Cover Left PRO 2 Monocoque
2	A3228	1	Kit Cover Right PRO 2 Monocoqu
3	P1100	1	DECAL SCIFIT 2.75 X 12
4	11252705	10	10-32 x 1/2 BLZ PPMS
5	P1921	10	Washer cover plastic

PRO2 Left & Right Covers White



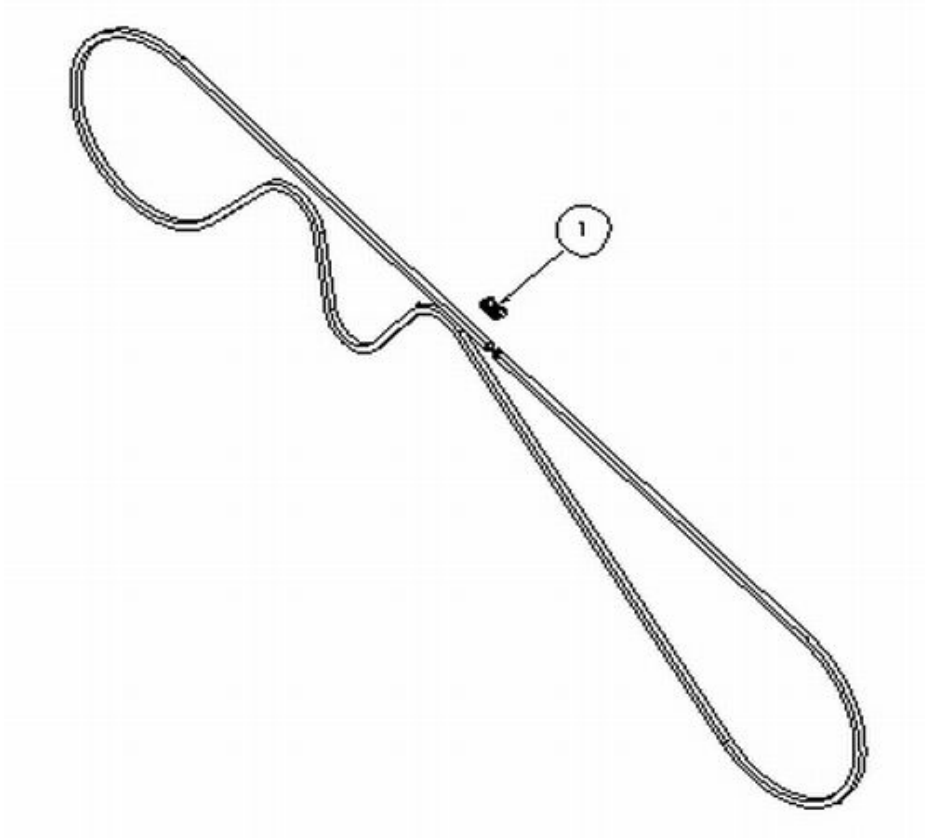
Ref #	Part Number	Qty	Description
1	S6513	1	Kit LH CVR White w/Decal PRO2
2	S6514	1	Kit RH CVR White w/Decal PRO2
3	P1100	2	DECAL SCIFIT 2.75 X 12
4	11252705	10	10-32 x 1/2 BLZ PPMS
5	P1921	10	Washer cover plastic
-	S6347	1	Kit R/L CVRS W/Decal White PR

PRO2 Spindle Crank



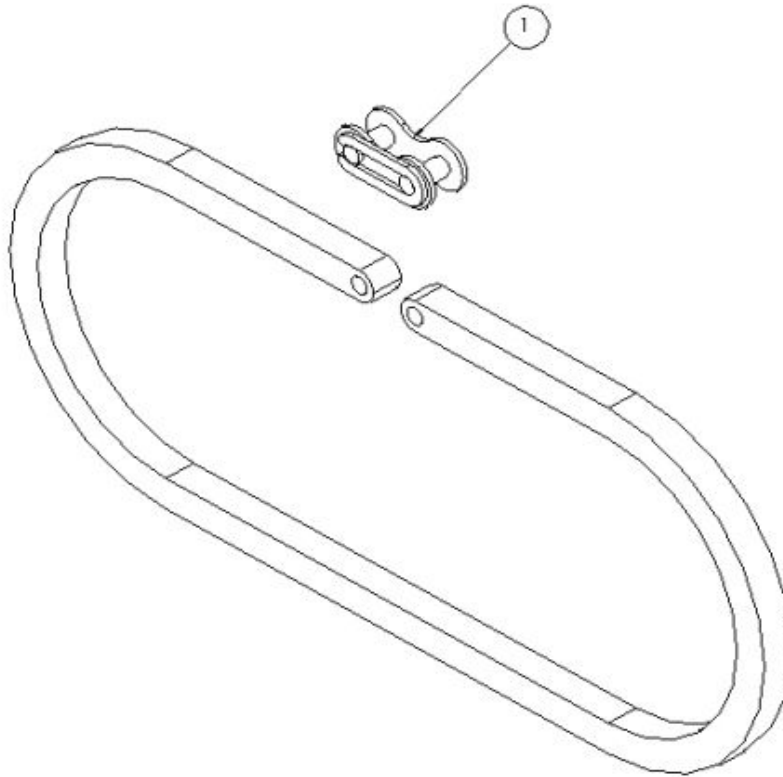
Ref #	Part Number	Qty	Description
-	A3797	1	KIT PRO SPINDLE ASSY #43 CHAIN

PRO2 43 Chain Long Assembly



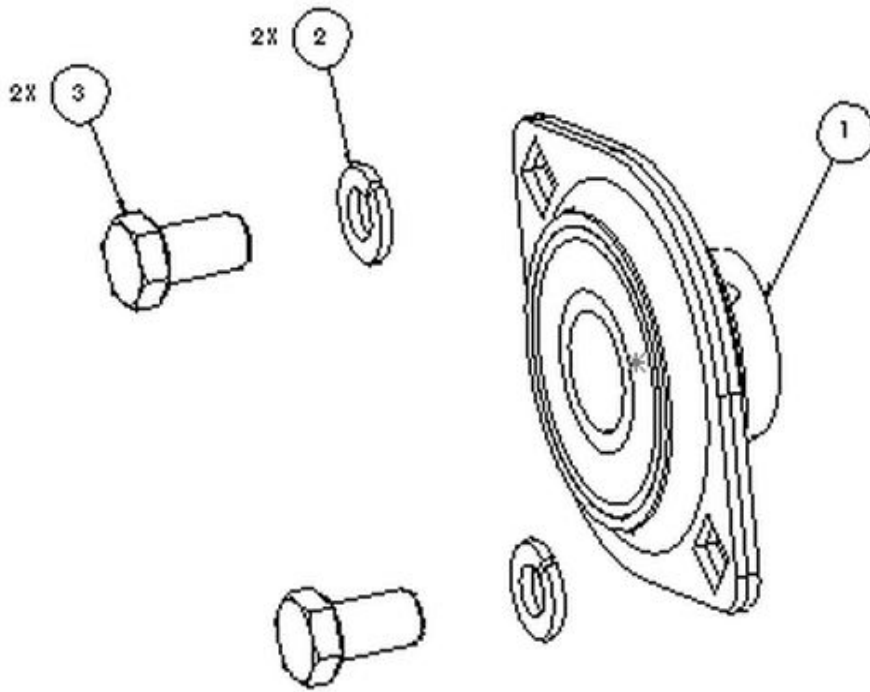
Ref #	Part Number	Qty	Description
1	P2234	1	Link Master Chain #43
-	P3739	1	Kit Chain Long 188P #43 PRO 2

PRO2 43 Chain Short Assembly



Ref #	Part Number	Qty	Description
1	P2234	1	Link Master Chain #43
-	A3456	1	Chain kit PRO100's (Short) #43 32P 16"

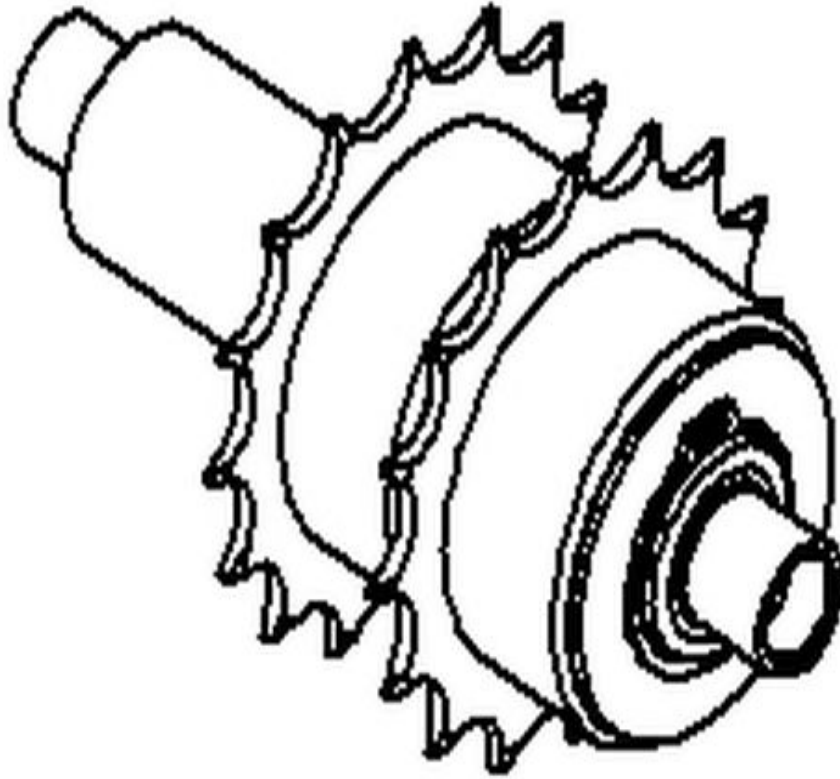
Spindle Bearing Drive Assembly



4X SETS REQUIRED PER UNIT

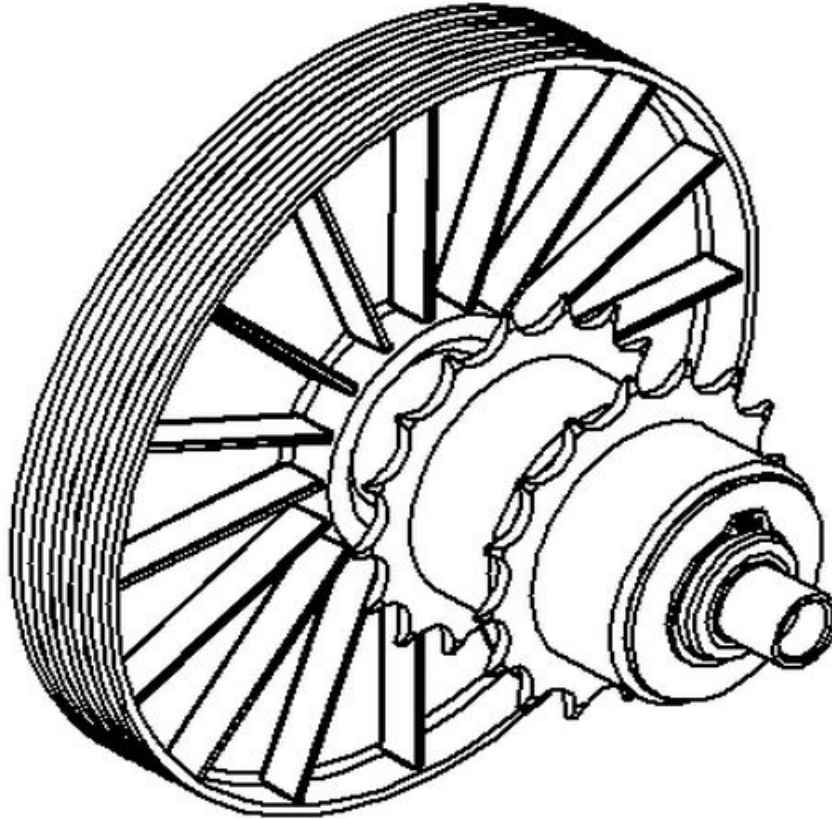
Ref #	Part Number	Qty	Description
1	P1096	1	Bearing Spindle Drive SB204-12
2	33892	2	5/16" Yellow Zinc Split L/W
3	13052	2	5/16"-18 x 5/8" Zinc HCS

43 Sprocket Bi Directional Assembly



Ref #	Part Number	Qty	Description
-	A3589	1	Kit Bi-Direct. Assy #43 PRO

43 Sprocket Jack Shaft Pulley Assembly



Ref #	Part Number	Qty	Description
-	A3588	1	Kit Shaft Jack Conversion Mono

