

SCIFIT PRO2 Total Body

PRO248-INT

Parts Manual

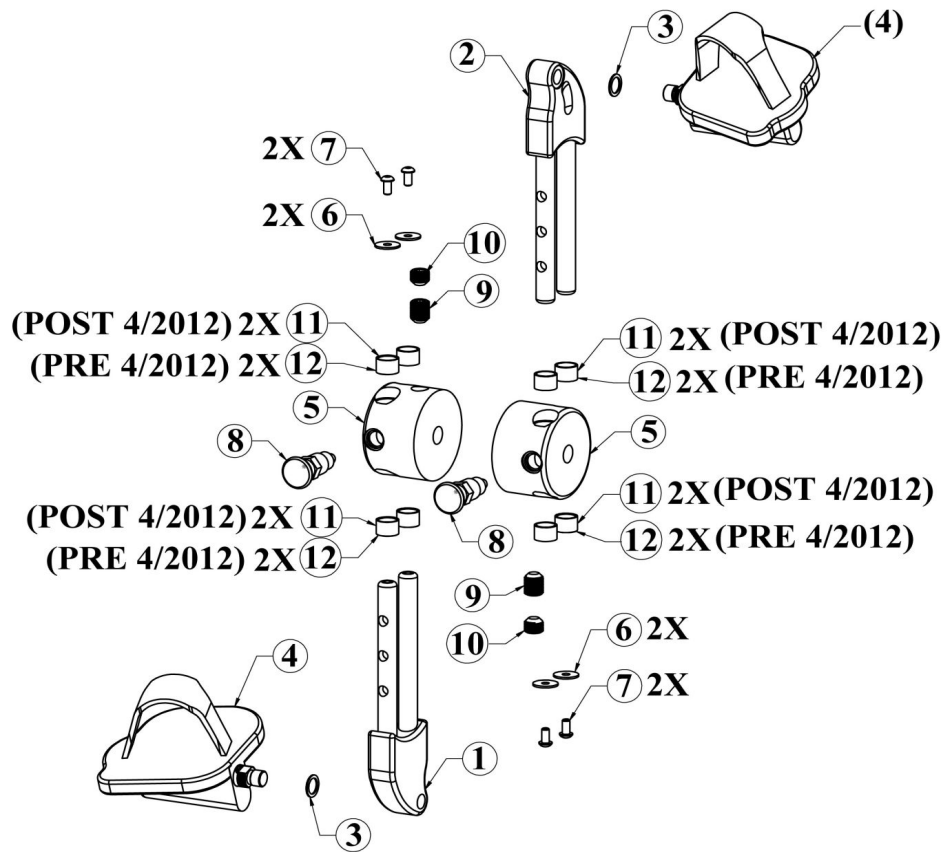
1/17/2019 12:42:20 PM



Table of Contents

| | |
|---|--------------------|
| Adjustable Left and Right Feet Crank Assembly..... | 3 |
| Bariatric Seat 660-016118-Current..... | 4 |
| Bearing Mount Bi Directional Assembly..... | 5 |
| Bearing Mount Jack Shaft Assembly..... | 6 |
| Belt Poly-V..... | 7 |
| Bracket Support Console..... | 8 |
| Lower Board And Wires - Post 5-2013..... | 9 |
| Lower Board And Wires - Pre 5-2013..... | 10 |
| PRO Bucket Seat Assembly - 660-000001 - 660-015849..... | 11 |
| PRO Standard Gray Handle Assembly..... | 12 |
| PRO2 Base Assembly..... | 13 |
| PRO2 Handle Left Crank Assembly..... | 14 |
| PRO2 Handle Right Crank Assembly..... | 15 |
| PRO2 Idler Assembly..... | 16 |
| PRO2 Left & Right Covers Charcoal..... | 17 |
| PRO2 Left & Right Covers White..... | 18 |
| PRO2 Spindle Crank..... | 19 |
| PRO2 43 Chain Long Assembly..... | 20 |
| PRO2 43 Chain Short Assembly..... | 21 |
| Spindle Bearing Drive Assembly..... | 22 |
| 43 Sprocket Bi Directional Assembly..... | 23 |
| 43 Sprocket Jack Shaft Pulley Assembly..... | 24 |

Adjustable Left and Right Feet Crank Assembly



| Ref # | Part Number | Qty | Description |
|-------|-------------|-----|--|
| 1 | A1867 | 1 | Assy. Crank Lower Left |
| 2 | A1868 | 1 | Assy. Crank Lower Right |
| 3 | P2709 | 2 | Washer Pedal Hardened 9/16 |
| 4 | P2275 | 1 | Pedal Bike Pair 9/16"-20 |
| 5 | A3780 | 2 | Assy. Hub Crank PRO Mono |
| 6 | 10537-08370 | 4 | .25 ID x .835 OD F/W |
| 7 | 94049 | 4 | 1/4"-20 x 1/2" Zinc BSCS |
| 8 | A5380 | 2 | Assy Pop-Pin Hub Flange Knob |
| 9 | P3111 | 2 | Screw Set Socket Point Flat 5/8-18 x .75 |
| 10 | P3110 | 2 | Screw Set Socket Point Flat 5/8-18 x .5 |
| 11 | P5174 | 8 | Bushing IGUS Hub MSI-1012-08 P |
| 12 | P1756 | 1 | Bearing Iigus rod handcrank |

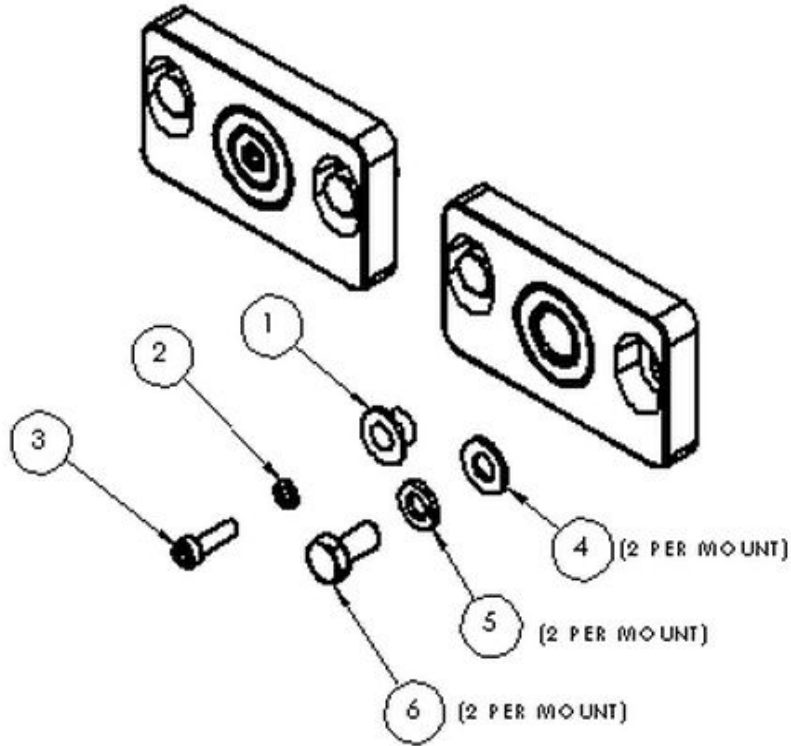
Bariatric Seat 660-016118-Current



PLEASE SEE: PREM-SEAT-01

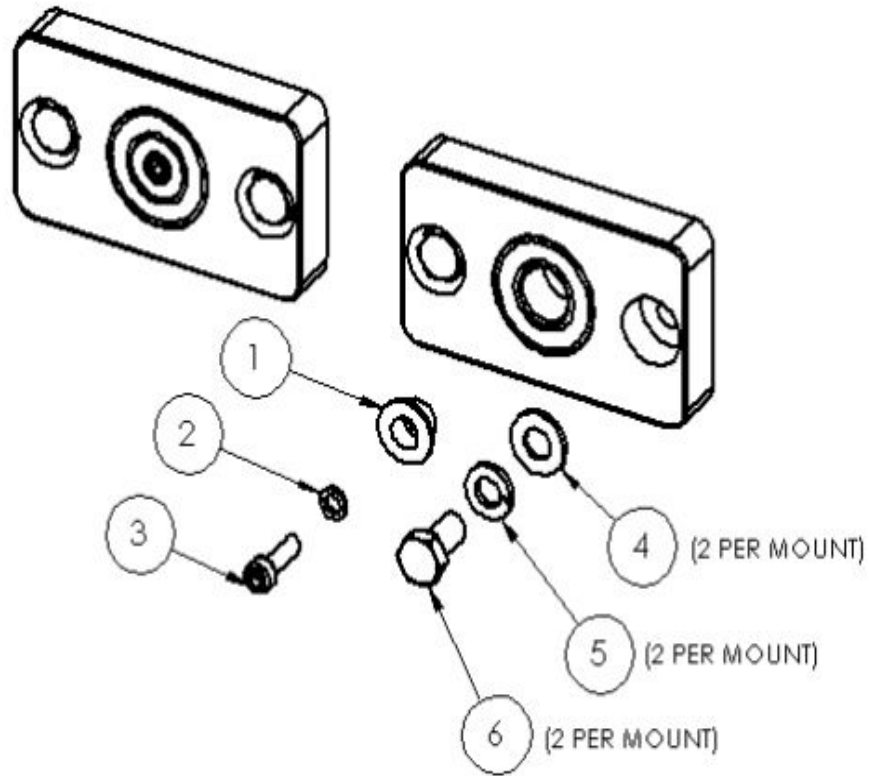
| Ref # | Part Number | Qty | Description |
|-------|--------------|-----|-----------------------|
| - | BARI-SEAT-01 | 1 | SCIFIT Bariatric Seat |

Bearing Mount Bi Directional Assembly



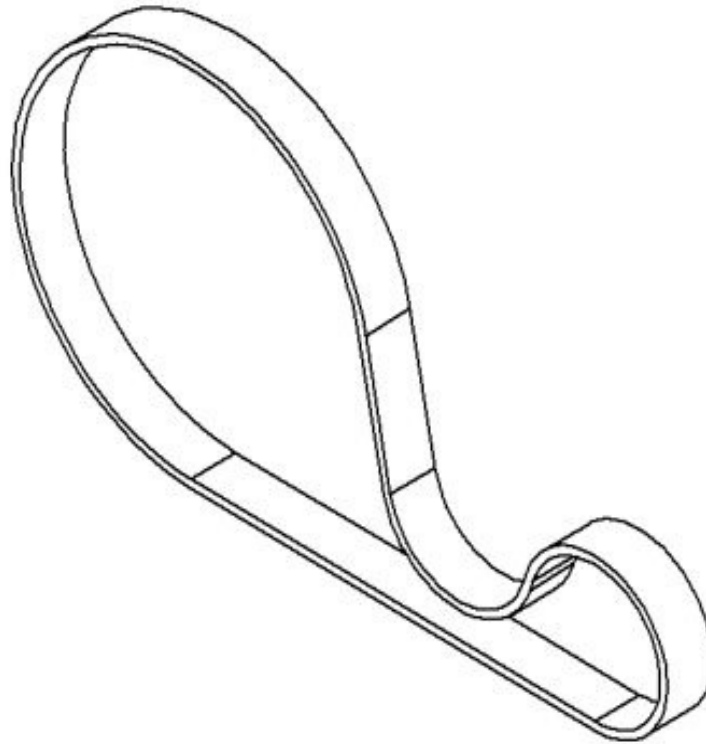
| Ref # | Part Number | Qty | Description |
|-------|-------------|-----|-------------------------------|
| 1 | A1972 | 2 | Washer Retain. Bearing Recess |
| 2 | 33614 | 2 | #10 Zinc Split L/W |
| 3 | 93165 | 2 | #10-32 x 5/8" Zinc SCS |
| 4 | 33080 | 4 | 5/16" Zinc F/W |
| 5 | 33892 | 4 | 5/16" Yellow Zinc Split L/W |
| 6 | 13052 | 4 | 5/16"-18 x 5/8" Zinc HCS |
| - | S4748 | 1 | Kit (1pr.) Bearing Mount Bi- |

Bearing Mount Jack Shaft Assembly



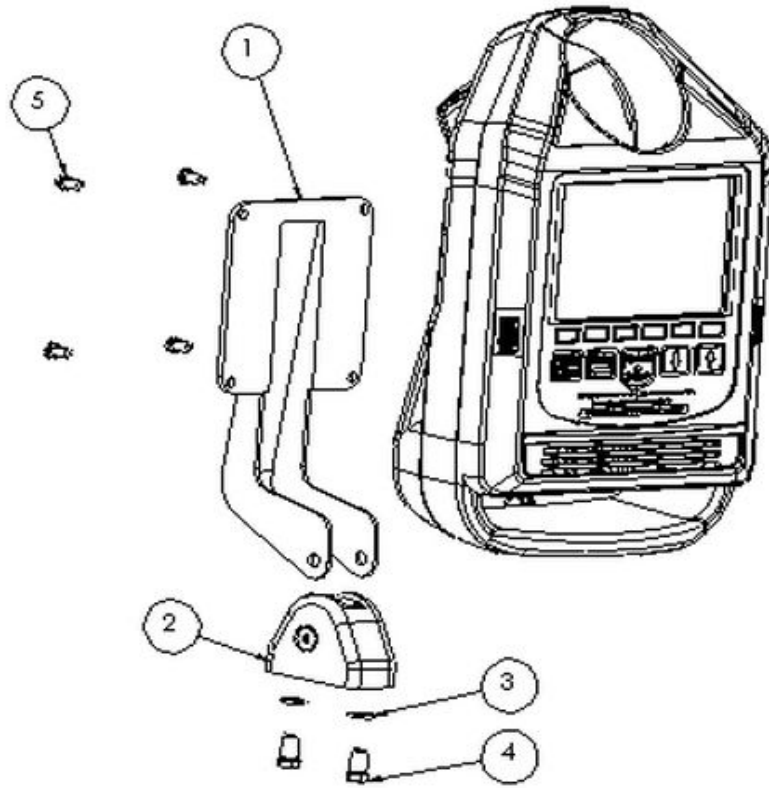
| Ref # | Part Number | Qty | Description |
|-------|-------------|-----|-------------------------------|
| 1 | A1972 | 2 | Washer Retain. Bearing Recess |
| 2 | 33614 | 2 | #10 Zinc Split L/W |
| 3 | 93165 | 2 | #10-32 x 5/8" Zinc SCS |
| 4 | 33080 | 4 | 5/16" Zinc F/W |
| 5 | 33892 | 4 | 5/16" Yellow Zinc Split L/W |
| 6 | 13052 | 4 | 5/16"-18 x 5/8" Zinc HCS |
| - | S4747 | 1 | Kit (1 pr) Bearing Mount Jac |

Belt Poly-V



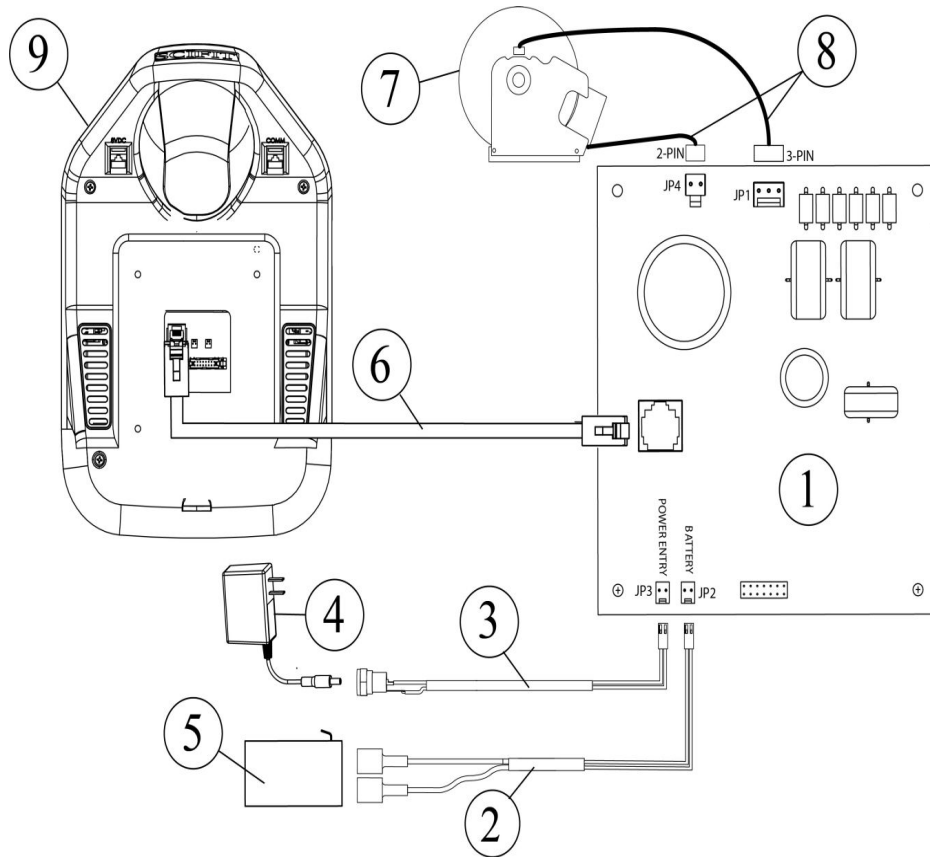
| Ref # | Part Number | Qty | Description |
|-------|-------------|-----|--------------------|
| 1 | P1664 | 1 | Belt Poly-V J8 310 |

Bracket Support Console



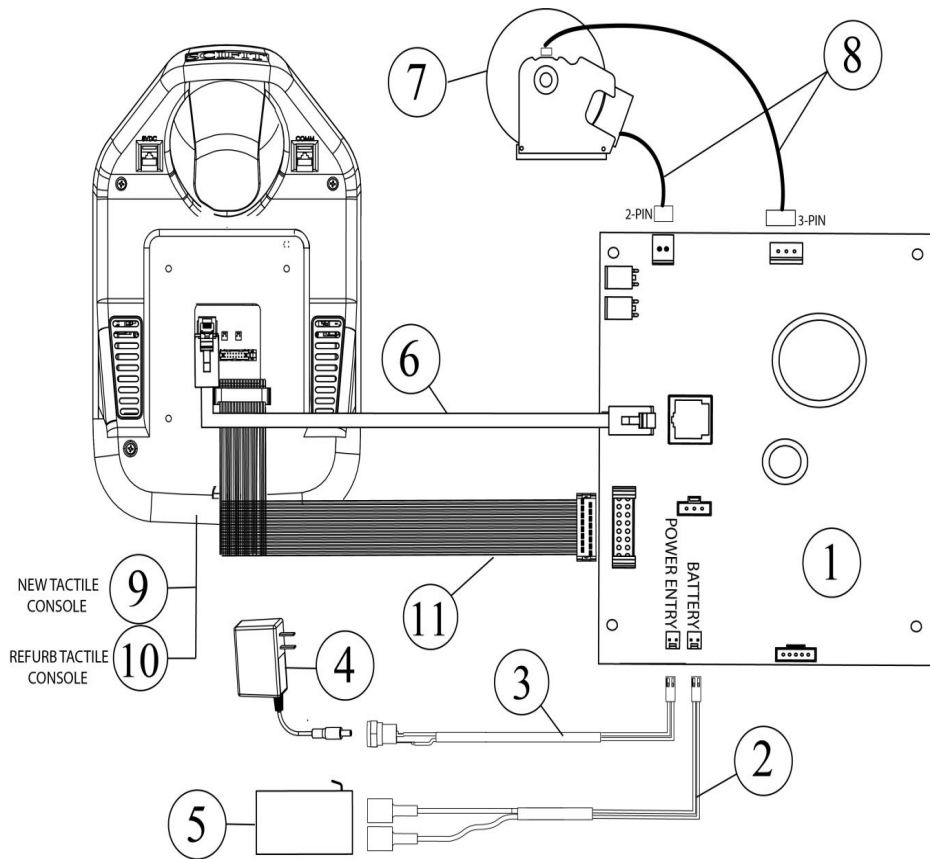
| Ref # | Part Number | Qty | Description |
|-------|-------------|-----|---------------------------------|
| 1 | A4659 | 1 | DISPLAY ADJ PRO LCD V2 |
| 2 | S5791 | 1 | Kit Quadrant W/HW Post 4/13 PR |
| 3 | 33892 | 2 | 5/16" Yellow Zinc Split L/W |
| 4 | 13052 | 2 | 5/16"-18 x 5/8" Zinc HCS |
| 5 | 10537-09060 | 4 | Screw M5 x 12mm Phil Black Zinc |

Lower Board And Wires - Post 5-2013



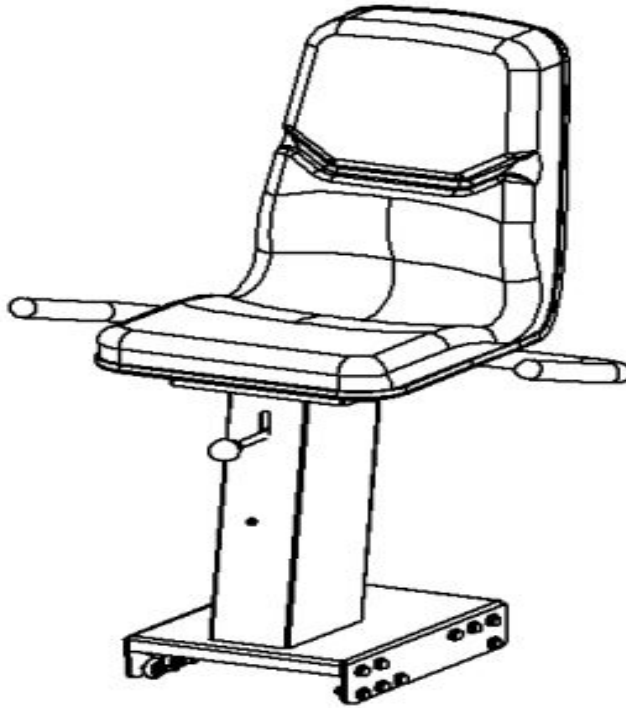
| Ref # | Part Number | Qty | Description |
|-------|-------------|-----|--|
| 1 | A5361 | 1 | Kit A5005 W/Mounting Bracket |
| 2 | P1833 | 1 | Cable Battery Cordless |
| 3 | P3307 | 1 | Cable Power Entry PRO |
| 4 | P4861 | 1 | SCIFIT POWER SUPPLY AC ADAPTER WALL PACK 18V |
| 5 | P1564 | 1 | Battery Rechargable Cordless |
| 6 | P4741 | 1 | Cable Comm 50" Intelli PRO2/10 |
| 7 | S3611 | 1 | Kit Brake Cordless PRO w/o Bra |
| 8 | S4454 | 1 | CABLES IND. BRAKE 3 & 2 PIN |
| 9 | LCD-EN-01 | 1 | SCIFIT LCD Console English |
| 9 | LCD-EN-01 | 1 | SCIFIT LCD Console English |
| 9 | LCD-EN-01 | 1 | SCIFIT LCD Console English |
| 9 | LCD-EN-01 | 1 | SCIFIT LCD Console English |
| 9 | LCD-EN-01 | 1 | SCIFIT LCD Console English |
| 9 | LCD-EN-01 | 1 | SCIFIT LCD Console English |
| 9 | LCD-EN-01 | 1 | SCIFIT LCD Console English |
| 9 | LCD-EN-01 | 1 | SCIFIT LCD Console English |
| 9 | LCD-EN-01 | 1 | SCIFIT LCD Console English |
| 9 | LCD-EN-01 | 1 | SCIFIT LCD Console English |
| 9 | LCD-EN-01 | 1 | SCIFIT LCD Console English |

Lower Board And Wires - Pre 5-2013



| Ref # | Part Number | Qty | Description |
|-------|-------------|-----|--|
| 1 | S6189 | 1 | Kit A5361 W/Tactile Firm PRE 5 |
| 2 | P1833 | 1 | Cable Battery Cordless |
| 3 | P3307 | 1 | Cable Power Entry PRO |
| 4 | P4861 | 1 | SCIFIT POWER SUPPLY AC ADAPTER WALL PACK 18V |
| 5 | P1564 | 1 | Battery Rechargable Cordless |
| 6 | P4741 | 1 | Cable Comm 50" Intelli PRO2/10 |
| 7 | S3611 | 1 | Kit Brake Cordless PRO w/o Bra |
| 8 | S4454 | 1 | CABLES IND. BRAKE 3 & 2 PIN |
| 9 | S5195 | 1 | Kit A4604/Strain Relief.Wirele |
| 10 | S5196R | 1 | Kit A4604R/Strain Relief.Wirel |
| 11 | A5190 | 1 | Cable Assy Display 79" V2 |

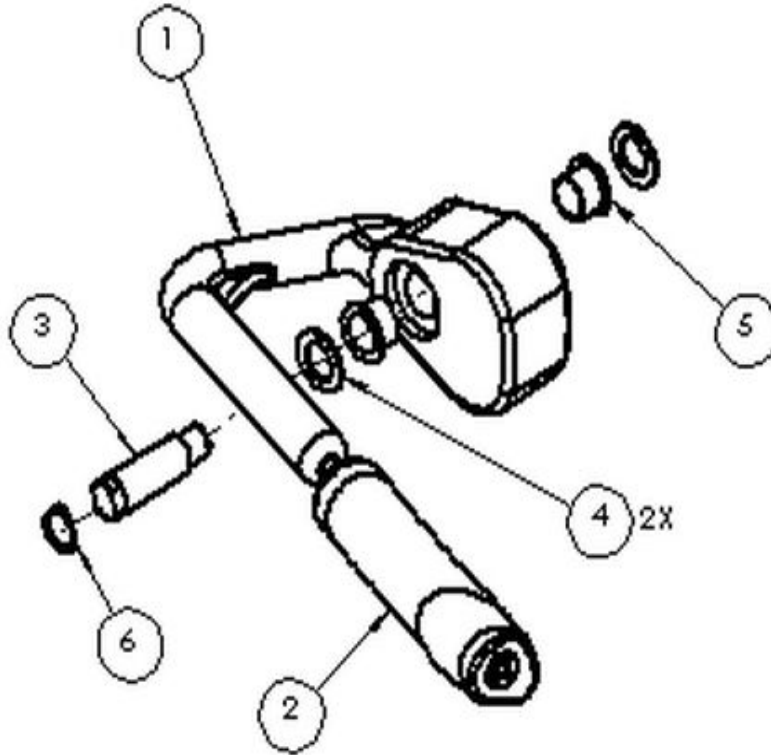
**PRO Bucket Seat Assembly - 660-000001 -
660-015849**



PLEASE SEE: S3585-CH

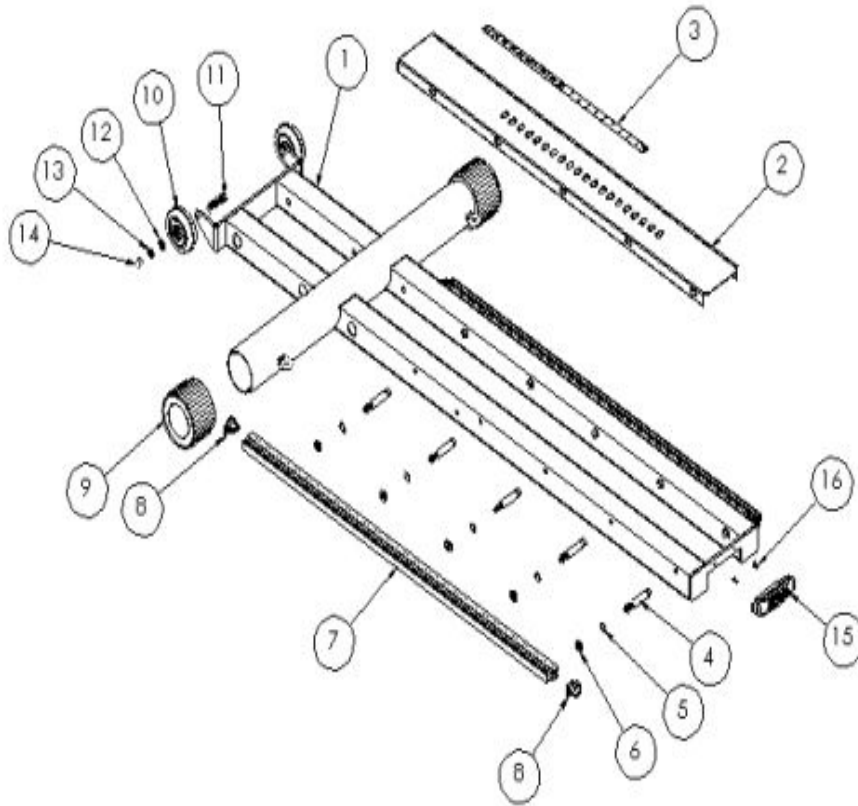
| Ref # | Part Number | Qty | Description |
|-------|-------------|-----|--|
| - | S3585-CH | 1 | KIT:KIT, SEAT, BARIACTRIC, PRO, CHARCOAL |

PRO Standard Gray Handle Assembly



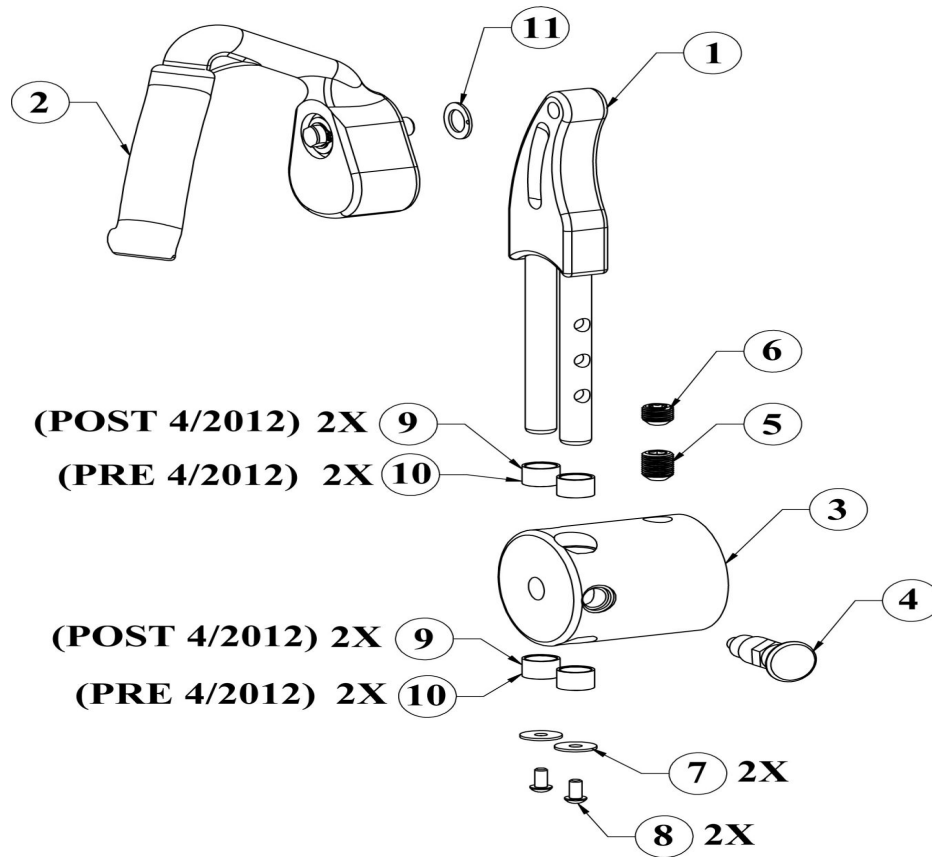
| Ref # | Part Number | Qty | Description |
|-------|-------------|-----|--------------------------------|
| 1 | A1993 | 1 | NLA: Handle Handcrank PRO |
| 2 | P4610 | 1 | GRIP HANDLE HANDCRANK PRO V2 |
| 3 | A2534 | 1 | Shaft Handcrank |
| 4 | A1591 | 2 | Washer IGUS Handcrank Modified |
| 5 | P1173 | 2 | Brg. Flnged IGUS 5/8 Handc |
| 6 | 68013 | 1 | Snap Ring .588 ID x .035THK |
| - | S4863 | 1 | KIT ASSY HANDCRANK PRO V2 |

PRO2 Base Assembly



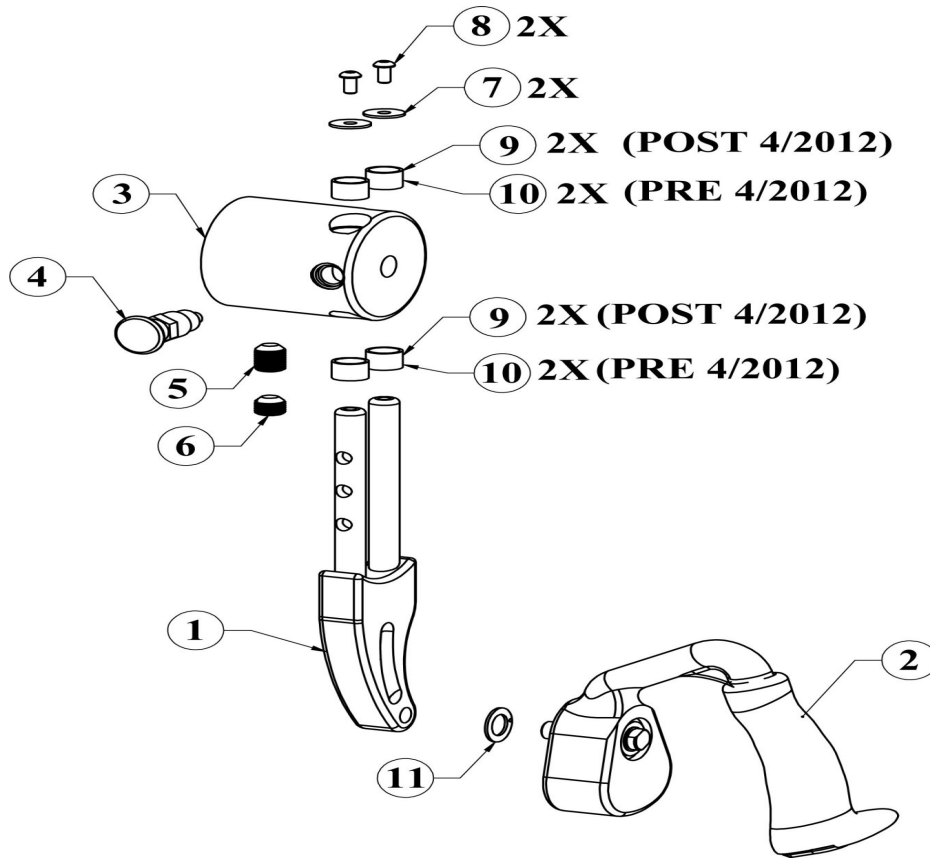
| Ref # | Part Number | Qty | Description |
|-------|-------------|-----|------------------------------------|
| 1 | C3240-CH | 1 | Frame Base PRO Charcoal |
| 2 | A3241 | 1 | Track Adj. SS PRO Monocoque |
| 3 | P1982 | 1 | Decal Number 1" Spacing 1- 20 |
| 4 | 13064 | 10 | 5/16"-18 x 2-3/4" Zinc HCS |
| 5 | 33712 | 10 | 5/16" Zinc Internal Tooth L/W |
| 6 | 37622 | 10 | 5/16"-18 Zinc Square Nut |
| 7 | A3299 | 2 | Extrusion Rail Roller 37.5" PR |
| 8 | A5215 | 4 | Endcap Cover Extrusion Rail |
| 9 | A1890 | 2 | Cap Base 3" Adj. 65 Durometer |
| 10 | P2144 | 2 | Wheel Front PRO II |
| 11 | 73783 | 2 | 5/16"-18 x 1-3/4" Stnlss BSCS |
| 12 | 33080 | 2 | 5/16" Zinc F/W |
| 13 | 33892 | 2 | 5/16" Yellow Zinc Split L/W |
| 14 | 70961 | 2 | 5/16"-18 Stnlss Stl Acorn Nut |
| 15 | A5449 | 1 | HANDLE LIFT STEP 1 |
| 16 | 0142859 | 2 | KIT:6 X 5/8 ZINC PHLLPS PH PLSTC S |

PRO2 Handle Left Crank Assembly



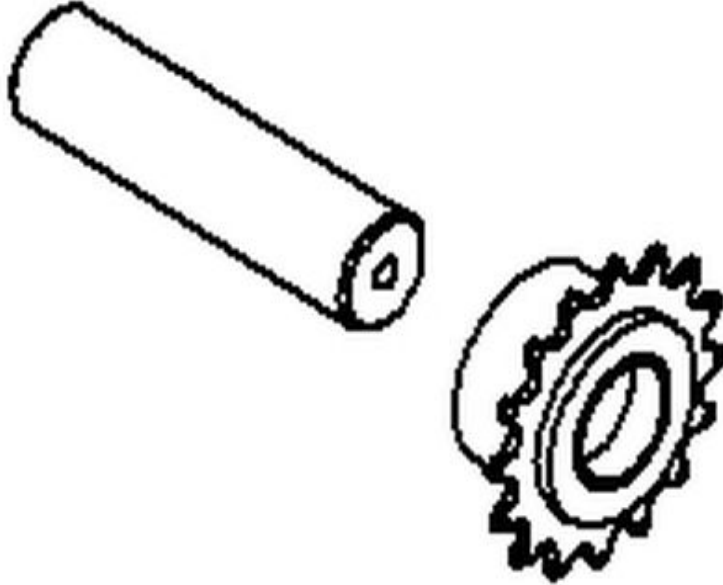
| Ref # | Part Number | Qty | Description |
|-------|-------------|-----|--|
| 1 | A1869 | 1 | Assy. Crank Upper Left |
| 2 | S4863 | 1 | KIT ASSY HANDCRANK PRO V2 |
| 3 | A3781 | 1 | Assy. Hub Crank PRO Upper |
| 4 | A5380 | 1 | Assy Pop-Pin Hub Flange Knob |
| 5 | P3111 | 1 | Screw Set Socket Point Flat 5/8-18 x .75 |
| 6 | P3110 | 1 | Screw Set Socket Point Flat 5/8-18 x .5 |
| 7 | 10537-08370 | 2 | .25 ID x .835 OD F/W |
| 8 | 94049 | 2 | 1/4"-20 x 1/2" Zinc BSCS |
| 9 | P5174 | 4 | Bushing IGUS Hub MSI-1012-08 P |
| 10 | P1756 | 1 | Bearing Igus rod handcrank |
| 11 | A1591 | 1 | Washer IGUS Handcrank Modified |

PRO2 Handle Right Crank Assembly



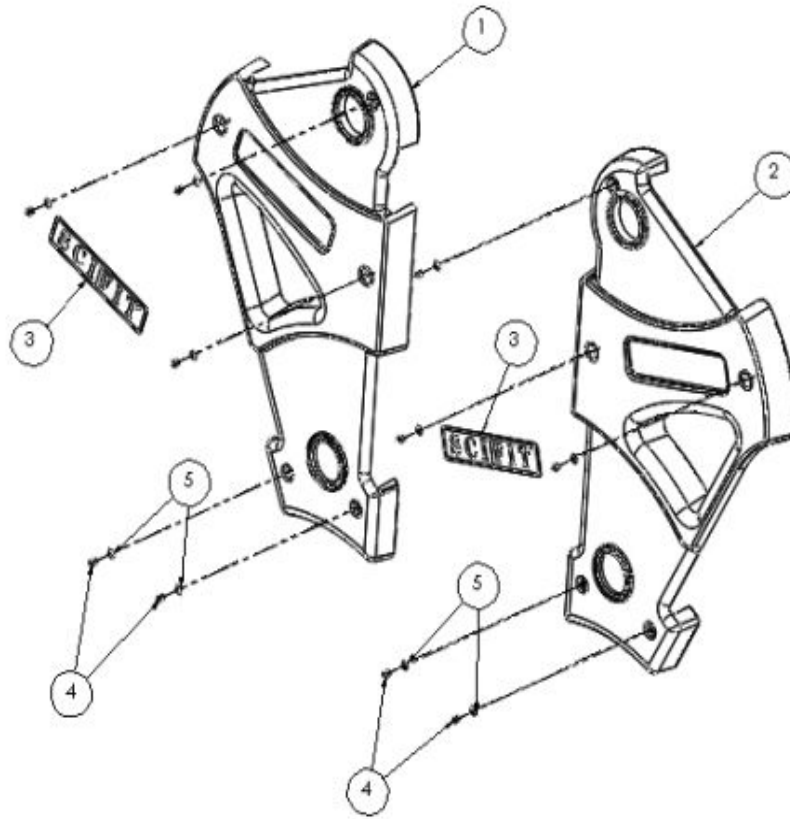
| Ref # | Part Number | Qty | Description |
|-------|-------------|-----|--|
| 1 | A1870 | 1 | Assy. Crank Upper Right |
| 2 | S4863 | 1 | KIT ASSY HANDCRANK PRO V2 |
| 3 | A3781 | 1 | Assy. Hub Crank PRO Upper |
| 4 | A5380 | 1 | Assy Pop-Pin Hub Flange Knob |
| 5 | P3111 | 1 | Screw Set Socket Point Flat 5/8-18 x .75 |
| 6 | P3110 | 1 | Screw Set Socket Point Flat 5/8-18 x .5 |
| 7 | 10537-08370 | 2 | .25 ID x .835 OD F/W |
| 8 | 94049 | 2 | 1/4"-20 x 1/2" Zinc BSCS |
| 9 | P5174 | 4 | Bushing IGUS Hub MSI-1012-08 P |
| 10 | P1756 | 1 | Bearing Igus rod handcrank |
| 11 | A1591 | 1 | Washer IGUS Handcrank Modified |

PRO2 Idler Assembly



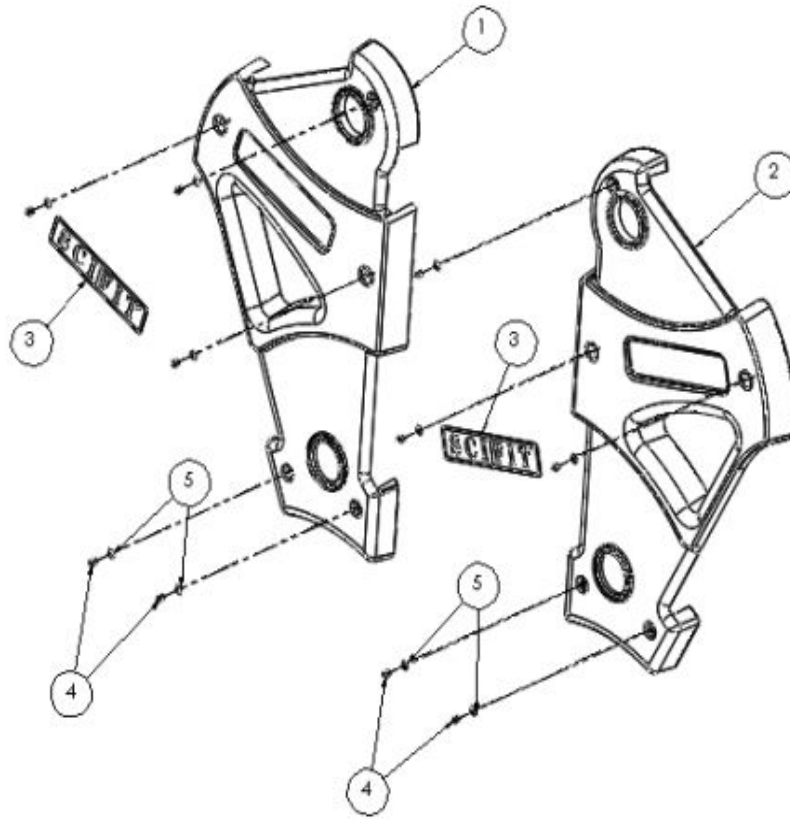
| Ref # | Part Number | Qty | Description |
|-------|-------------|-----|--------------------------|
| - | A3447 | 1 | Kit Idler Chain Assy.PRO |

PRO2 Left & Right Covers Charcoal



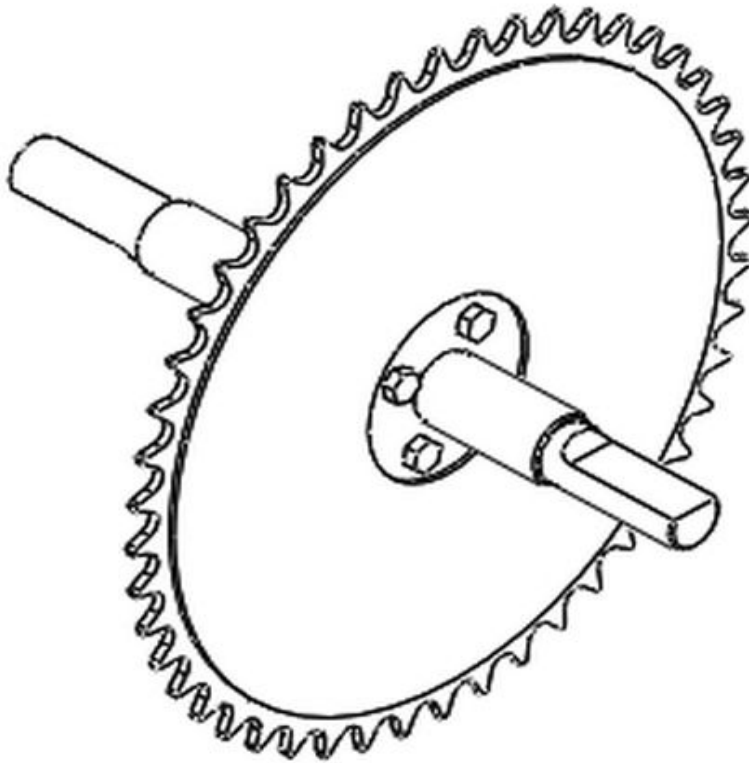
| Ref # | Part Number | Qty | Description |
|-------|-------------|-----|--------------------------------|
| 1 | A3227 | 1 | Kit Cover Left PRO 2 Monocoque |
| 2 | A3228 | 1 | Kit Cover Right PRO 2 Monocoqu |
| 3 | P1100 | 1 | DECAL SCIFIT 2.75 X 12 |
| 4 | 11252705 | 10 | 10-32 x 1/2 BLZ PPMS |
| 5 | P1921 | 10 | Washer cover plastic |

PRO2 Left & Right Covers White



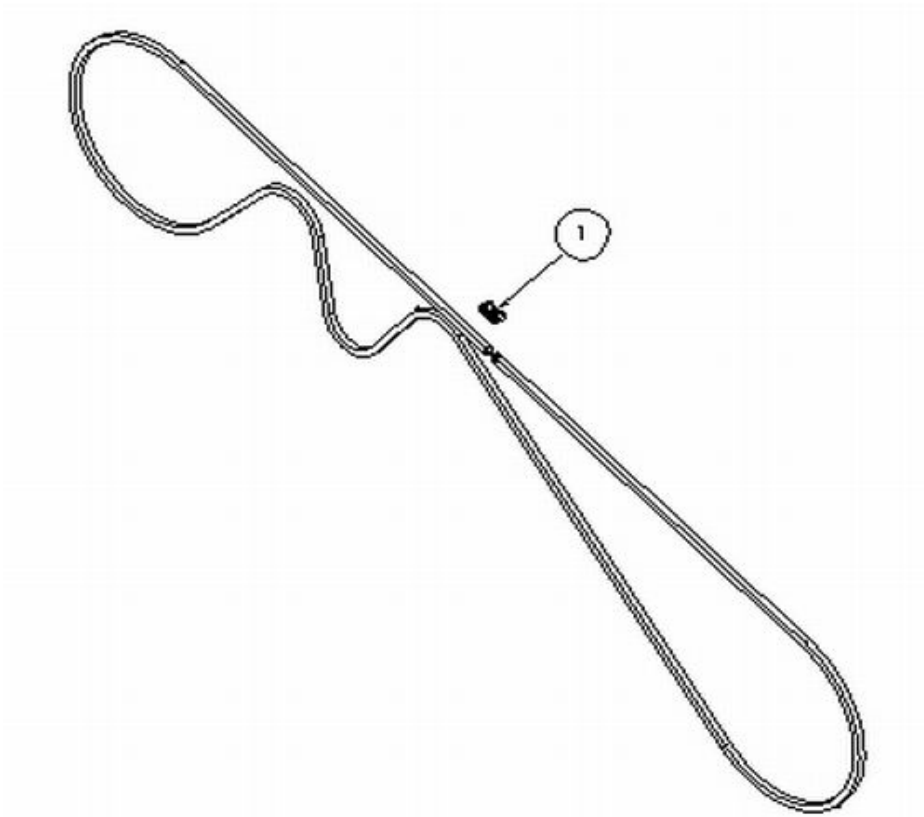
| Ref # | Part Number | Qty | Description |
|-------|-------------|-----|-------------------------------|
| 1 | S6513 | 1 | Kit LH CVR White w/Decal PRO2 |
| 2 | S6514 | 1 | Kit RH CVR White w/Decal PRO2 |
| 3 | P1100 | 2 | DECAL SCIFIT 2.75 X 12 |
| 4 | 11252705 | 10 | 10-32 x 1/2 BLZ PPMS |
| 5 | P1921 | 10 | Washer cover plastic |
| - | S6347 | 1 | Kit R/L CVRS W/Decal White PR |

PRO2 Spindle Crank



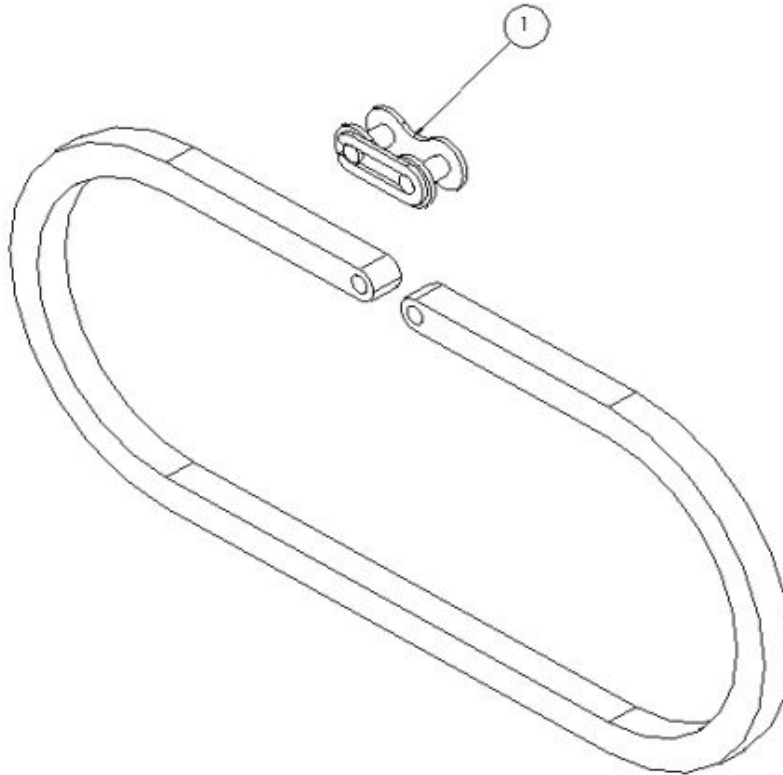
| Ref # | Part Number | Qty | Description |
|-------|-------------|-----|--------------------------------|
| - | A3797 | 1 | KIT PRO SPINDLE ASSY #43 CHAIN |

PRO2 43 Chain Long Assembly



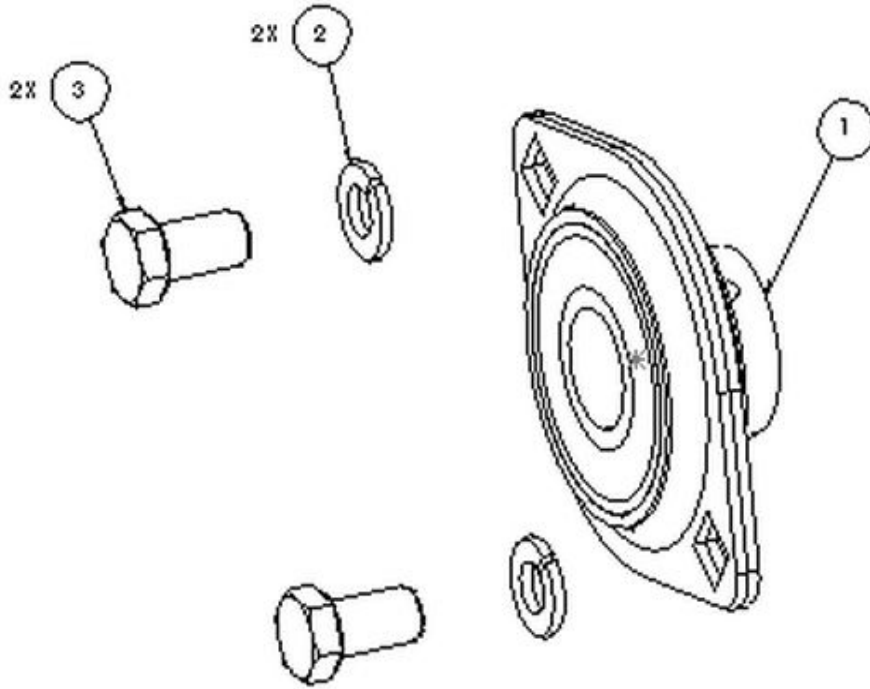
| Ref # | Part Number | Qty | Description |
|-------|-------------|-----|-------------------------------|
| 1 | P2234 | 1 | Link Master Chain #43 |
| - | P3739 | 1 | Kit Chain Long 188P #43 PRO 2 |

PRO2 43 Chain Short Assembly



| Ref # | Part Number | Qty | Description |
|-------|-------------|-----|--|
| 1 | P2234 | 1 | Link Master Chain #43 |
| - | A3456 | 1 | Chain kit PRO100's (Short) #43 32P 16" |

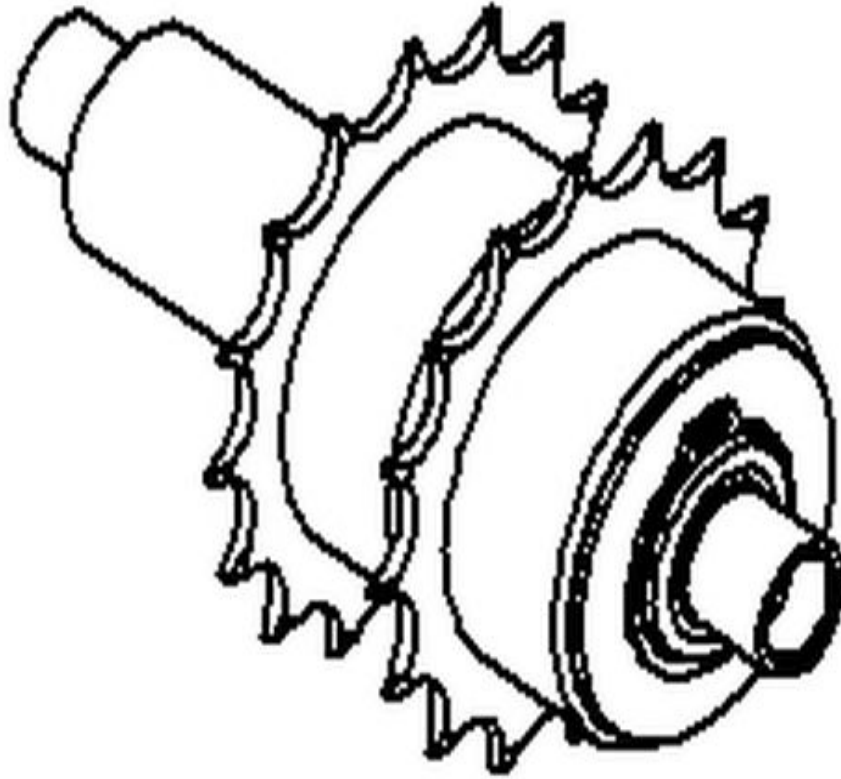
Spindle Bearing Drive Assembly



4X SETS REQUIRED PER UNIT

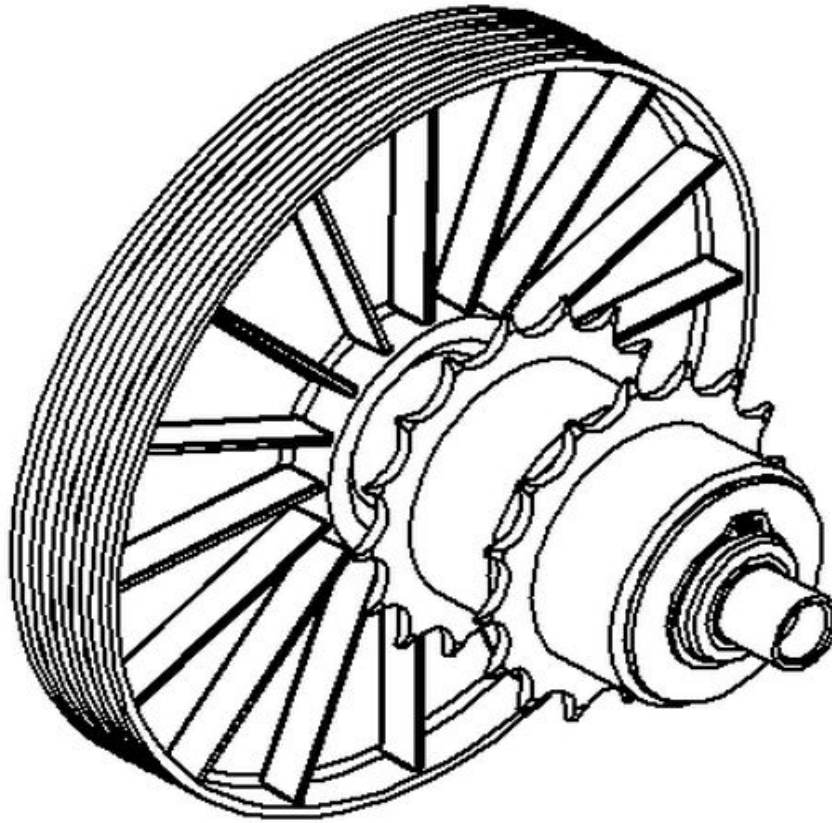
| Ref # | Part Number | Qty | Description |
|-------|-------------|-----|--------------------------------|
| 1 | P1096 | 1 | Bearing Spindle Drive SB204-12 |
| 2 | 33892 | 2 | 5/16" Yellow Zinc Split L/W |
| 3 | 13052 | 2 | 5/16"-18 x 5/8" Zinc HCS |

43 Sprocket Bi Directional Assembly



| Ref # | Part Number | Qty | Description |
|-------|-------------|-----|-----------------------------|
| - | A3589 | 1 | Kit Bi-Direct. Assy #43 PRO |

43 Sprocket Jack Shaft Pulley Assembly



| Ref # | Part Number | Qty | Description |
|-------|-------------|-----|--------------------------------|
| - | A3588 | 1 | Kit Shaft Jack Conversion Mono |

