

# Pro2 Series - Fixed Pulldown

PSFPDSE

## Parts Manual

1/5/2019 16:08:42 PM



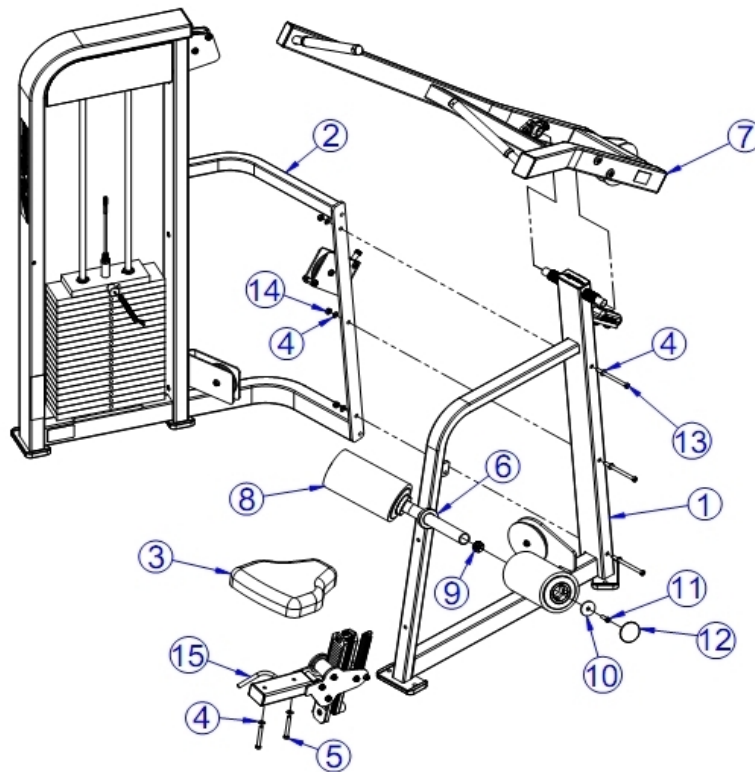
**Table of Contents**

---

<a href="#">Component Assembly.....</a>	<a href="#">3</a>
<a href="#">Increment Weight with Striker.....</a>	<a href="#">4</a>
<a href="#">Optional Full Shroud Kit Std - Med.....</a>	<a href="#">5</a>
<a href="#">Optional Rear Shroud Kit Std - Med.....</a>	<a href="#">6</a>
<a href="#">Seat Frame Assembly.....</a>	<a href="#">7</a>
<a href="#">Side Frame Assembly.....</a>	<a href="#">8</a>
<a href="#">Weight Stack Assembly.....</a>	<a href="#">10</a>
<a href="#">Work Arm Assembly.....</a>	<a href="#">11</a>
<a href="#">5Lb Increment Weight Assembly.....</a>	<a href="#">12</a>
<a href="#">90 Degree Roller Seat Assembly.....</a>	<a href="#">13</a>

\*\* Upholstery & Frame Colors are listed at the end of the Parts Manual \*\*

## Component Assembly

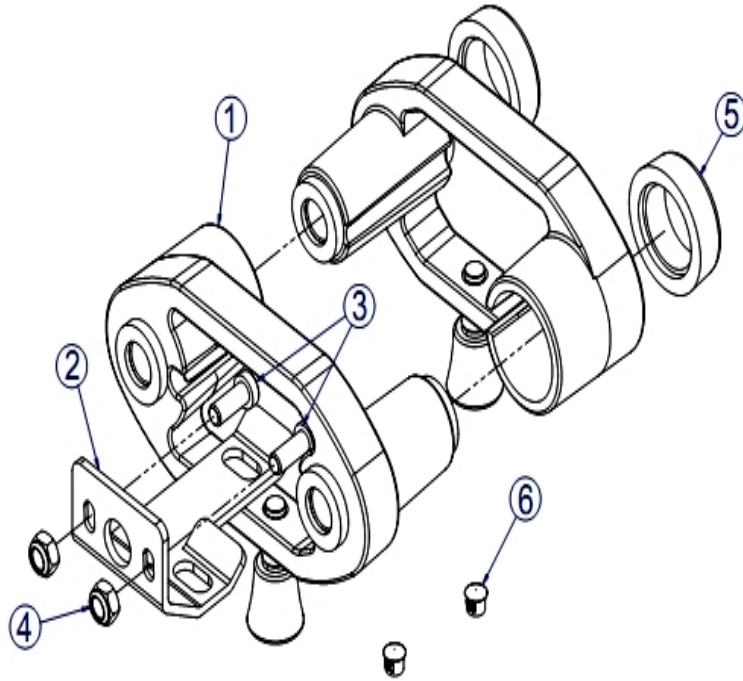


Ref #	Part Number	Qty	Description
1	7783101	1	Assembly - PSFPD Seat Frame
2	7784001	1	Assembly - PSFPD Side Frame
3	7351999	1	PAD, SADDLE Custom
4	3273303	8	Hardware: WasherR, 3/8, THRU-HARDENED
5	3236212	2	Hardware: Screw 75MM
6	7357901	2	Shaft Collar
7	7784801	1	Assembly PSFPD Workarm
8	7424799	2	ASSY, ROLLER PAD SHORT Custom
9	7347301	2	Hardware: Nut 10 MM ID
10	7322301	2	Plate 1.97 OD X .447 ID 10 GA
11	3236204	2	Hardware: Screw 35MM
12	7308701	2	Cap Bearing Housing
13	3236220	3	Hardware: Screw 130MM
14	3236801	3	Hardware: Nut 10 MM ID
15	7396701	1	Assembly 90 Deg Roller Seat
-	7415101	1	Assembly Increment Weight With Striker
-	7539602	1	Assembly - Optional Full Shroud
-	7415202	1	Kit PRO2 Rear Shroud Standard-Medium

\*\* Upholstery and Frame Colors are list at the end of the Parts Manual \*\*

## Increment Weight with Striker

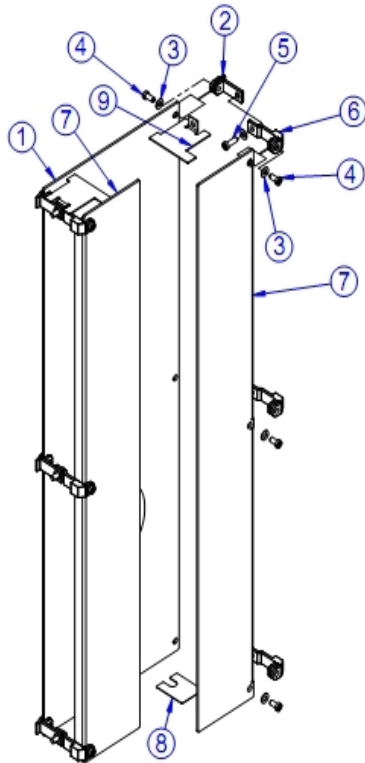
---



Ref #	Part Number	Qty	Description
1	8047001	2	Assembly PS Increment Weight
2	8700801	1	Plate Increment Weight Striker
3	3236202	2	Hardware: Screw 25MM
4	3236801	2	Hardware: Nut 10 MM ID
5	7767601	2	Bumper PS Increment
6	3237401	2	Plug 7/16" Hole

\*\* Upholstery and Frame Colors are list at the end of the Parts Manual \*\*

**Optional Full Shroud Kit Std - Med**

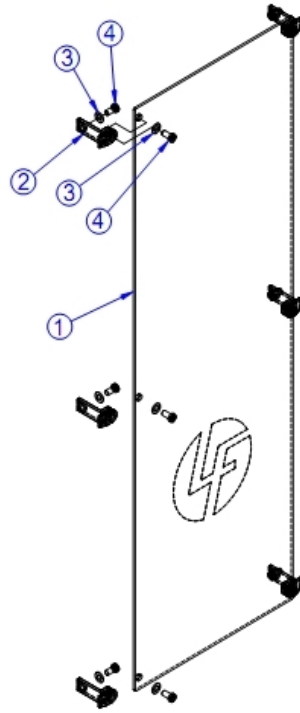


Ref #	Part Number	Qty	Description
1	8352402	1	Shroud PS Rear 51.0 X 16.43
2	7655301	6	Bracket PS Rear Shield
3	3273303	18	Hardware: WasherR, 3/8, THRU-HARDENED
4	3236201	12	Hardware: Screw 20MM
5	3236203	6	Hardware: Screw 30MM
6	7376601	6	Bracket PS Front Shield
7	7376902	2	Shield PS Front 51.0
8	7570901	2	Plate PS Shield Stand-Off - Not A Protokon Part
9	7657401	2	Plate PRO2 Shroud Space BlueR

\*\* Upholstery and Frame Colors are list at the end of the Parts Manual \*\*

## Optional Rear Shroud Kit Std - Med

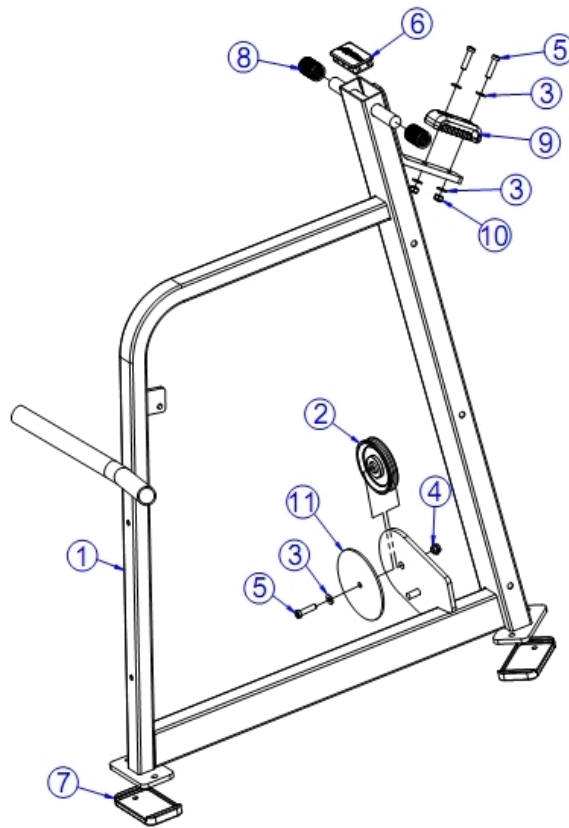
---



Ref #	Part Number	Qty	Description
1	8352402	1	Shroud PS Rear 51.0 X 16.43
2	7655301	6	Bracket PS Rear Shield
3	3273303	12	Hardware: WasherR, 3/8, THRU-HARDENED
4	3236201	12	Hardware: Screw 20MM

\*\* Upholstery and Frame Colors are list at the end of the Parts Manual \*\*

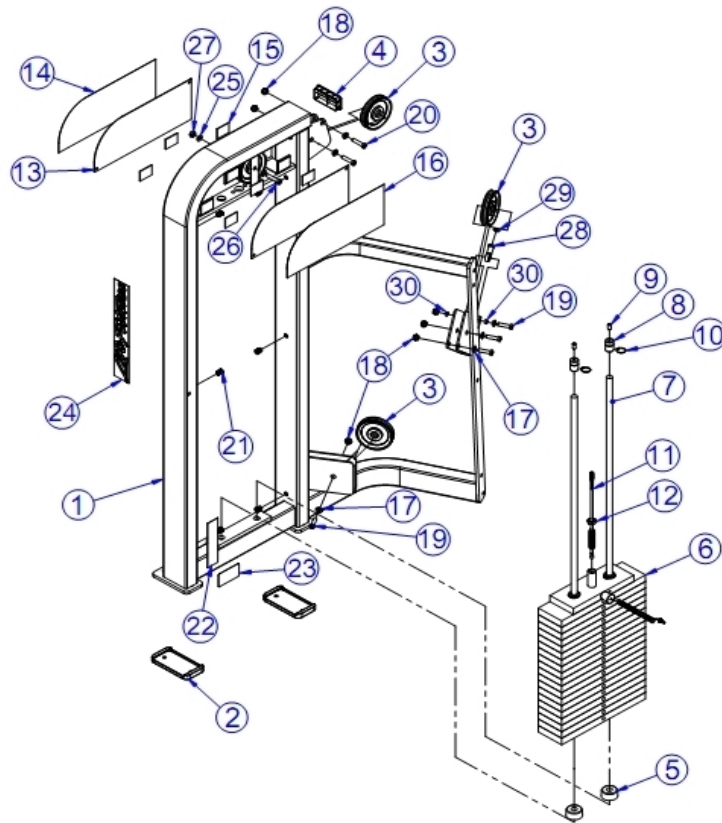
## Seat Frame Assembly



Ref #	Part Number	Qty	Description
1	7783299	1	Weldment, PSFPD, Seat Frame Custom
2	3237801	1	Pulley 4.5" OD
3	3273303	5	Hardware: WasherR, 3/8, THRU-HARDENED
4	7335401	1	Hardware: Nut 10 MM ID
5	3236205	3	Hardware: Screw 40 MM
6	7352401	1	End Cap
7	7388201	2	Footpad PS Rubber
8	6912804	2	Sleeve Accordion 1.0 ID X 2.00
9	7352001	1	Bumper
10	3236801	2	Hardware: Nut 10 MM ID
11	7301199	1	Plate, Pulley Custom

\*\* Upholstery and Frame Colors are list at the end of the Parts Manual \*\*

## Side Frame Assembly

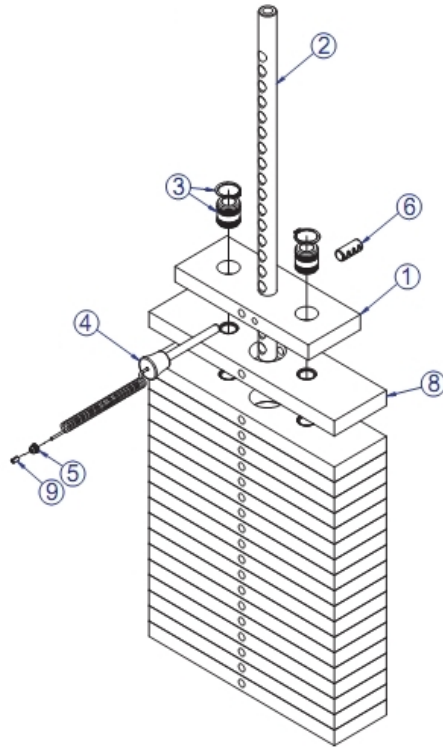


Ref #	Part Number	Qty	Description
1	7784199	1	Weldment, PSFPD, Side Frame Custom
2	7388201	2	Footpad PS Rubber
3	3237801	4	Pulley 4.5" OD
4	7352401	1	End Cap
5	7352101	2	Cushion Weight Stack
6	7353501	1	Assembly Weight Stack 300 LB
7	7328605	2	Guide Rod .75 OD Solid X 52.38
8	7402301	2	Retainer Guide Rod
9	3240501	2	Set Screw
10	3232421	2	Reatining Ring 0.940" D
11	7915701	1	Cable PSFPD 177-1/2
12	3236902	1	Hardware: Nut 16 MM ID
13	9169401	2	COVER, STACK-PRO2 STD
14	7794101	1	Label PSFPD Logo Panel
15	7544202	12	Pad Dual Lock 250 2 X 1-1/2
16	7784701	1	Label PSFPD Placard English
17	7348101	6	Hardware: Spacer Washer
18	7335401	6	Hardware: Nut 10 MM ID
19	3236205	4	Hardware: Screw 40 MM
20	3236206	2	Hardware: Screw 45MM
21	3238101	6	Hardware: Nut 10 MM ID
22	7422001	1	Label Seat Inst

Ref #	Part Number	Qty	Description
23	7571301	1	Label Serial Number
24	7348001	1	Label Life Fitness Logo
25	3273303	2	Hardware: WasherR, 3/8, THRU-HARDENED
26	3236207	1	Hardware: Screw 50MM
27	3236801	1	Hardware: Nut 10 MM ID
28	3237901	1	Rod End Metric Female
29	3236901	1	Hardware: Nut Hex Jam 10 MM
30	7489402	2	Bushing
-	7422002	1	Label Seat Adjust
-	7422004	1	Label 2" ASTM Warning
-	8039501	1	Label Warning Triangle 10-0099-067 BNR

\*\* Upholstery and Frame Colors are list at the end of the Parts Manual \*\*

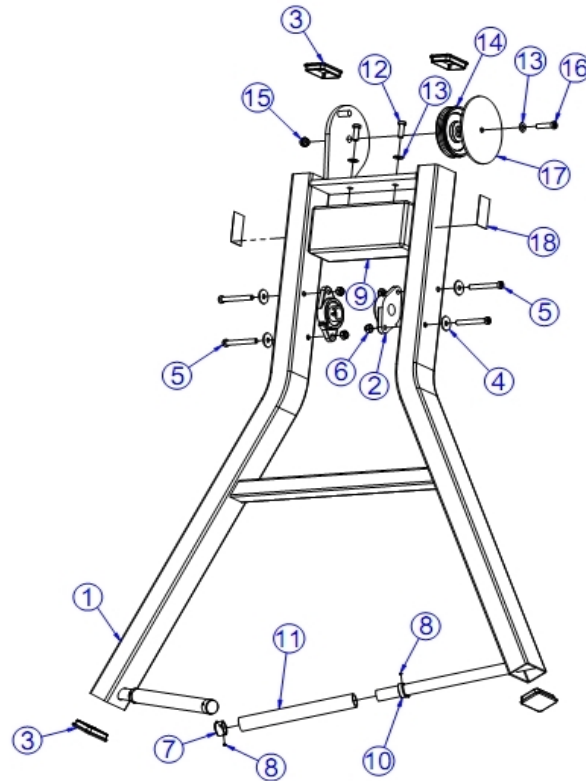
# Weight Stack Assembly



Ref #	Part Number	Qty	Description
1	7353901	1	Headplate Weight Stack
2	7356601	1	Stem PRO2 19 Hole
3	7338001	2	Bushing Headplate
4	7353001	1	Hardware: Assembly Selector Pin
5	7356501	1	Plug Lanyard Attachment
6	3236001	1	SpringPin Bushing
8	7353801	19	Weight Plate 15 LB
9	7523601	1	Crimp Cable
-	7987201	1	Label 300 LB Stack
-	7987401	1	Label 138 KG Stack

\*\* Upholstery and Frame Colors are list at the end of the Parts Manual \*\*

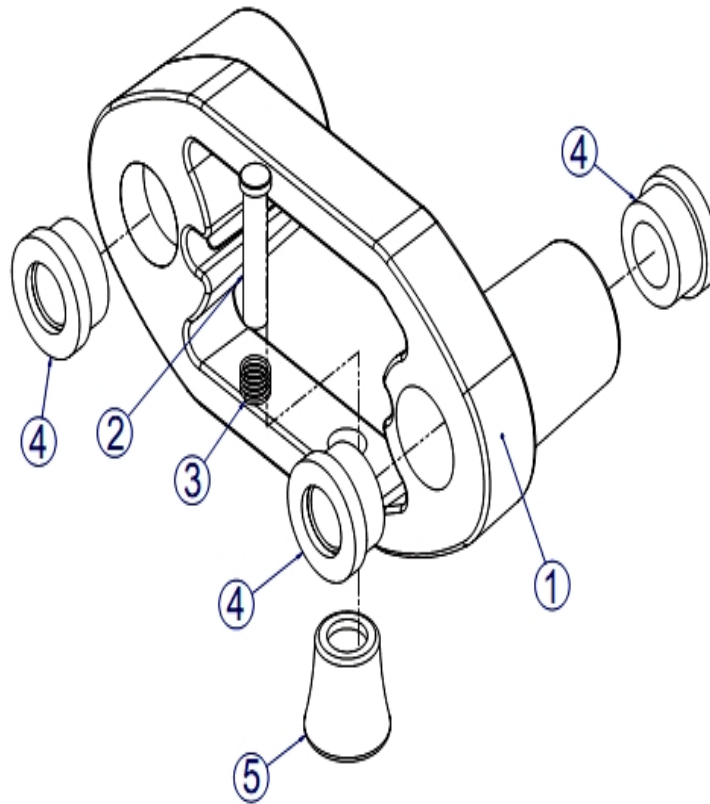
## Work Arm Assembly



Ref #	Part Number	Qty	Description
1	7784999	1	Weldment, PSFPD, Work Arm Custom
2	3237701	2	Pillow Block Assembly
3	7352301	4	End Cap
4	3236602	4	Washer 3/8"
5	3236212	4	Hardware: Screw 75MM
6	3236801	4	Hardware: Nut 10 MM ID
7	7662901	2	Grip Cap
8	LEA3247701	8	Hardware: Screw
9	7802501	1	Weight Counter LG
10	7662801	2	Grip Ring 1.25"
11	3235801	2	Grip - 1.25" OD
12	3236203	2	Hardware: Screw 30MM
13	3273303	3	Hardware: WasherR, 3/8, THRU-HARDENED
14	3237801	1	Pulley 4.5" OD
15	7335401	1	Hardware: Nut 10 MM ID
16	3236205	1	Hardware: Screw 40 MM
17	7301199	1	Plate, Pulley Custom
18	8039501	2	Label Warning Triangle 10-0099-067 BNR

\*\* Upholstery and Frame Colors are list at the end of the Parts Manual \*\*

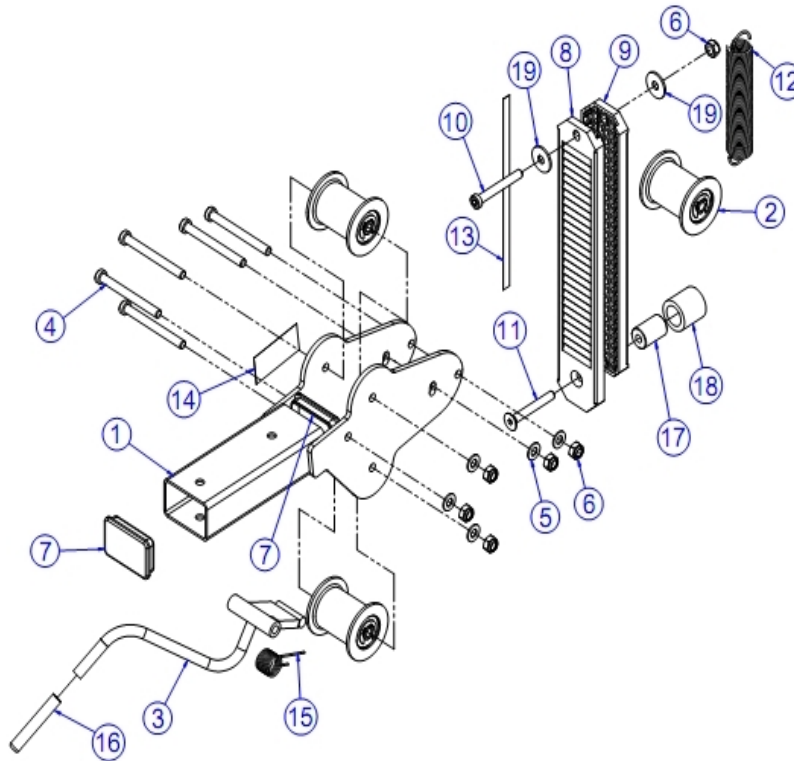
## 5Lb Increment Weight Assembly



Ref #	Part Number	Qty	Description
1	8047001	1	Assembly PS Increment Weight
2	7446901	1	Hardware: Pin Retaining
3	7447001	1	Compression Spring
4	7560001	3	Bushing MTS Increment Weight
5	7351401	1	Knob Tulip Style

\*\* Upholstery and Frame Colors are list at the end of the Parts Manual \*\*

## 90 Degree Roller Seat Assembly



Ref #	Part Number	Qty	Description
1	7396899	1	Weldment, 90 Deg Roller Seat Custom
2	7564201	3	Assembly Seat Roller
3	8417195	1	Weldment, Roller Seat Handle SG
4	3236217	5	Hardware: Screw 100MM
5	3273303	5	Hardware: WasherR, 3/8, THRU-HARDENED
6	3236801	6	Hardware: Nut 10 MM ID
7	7352301	2	End Cap
8	8416801	1	Track Seat - Serrated (20 Slots)
9	7564401	1	Seatrack Flat
10	3236212	1	Hardware: Screw 75MM
11	3238312	1	Hardware: Screw 75mm
12	7442601	1	Spring PRO2 Roller Seat
13	7422002	1	Label Seat Adjust
14	7422001	1	Label Seat Inst
15	7442701	1	Spring PRO2 Handle Torsion
16	3238502	1	Cap
17	7570601	1	Stop Roller Seat
18	3235802	1	Grip 1.5" OD
19	3236602	2	Washer 3/8"

\*\* Upholstery and Frame Colors are list at the end of the Parts Manual \*\*

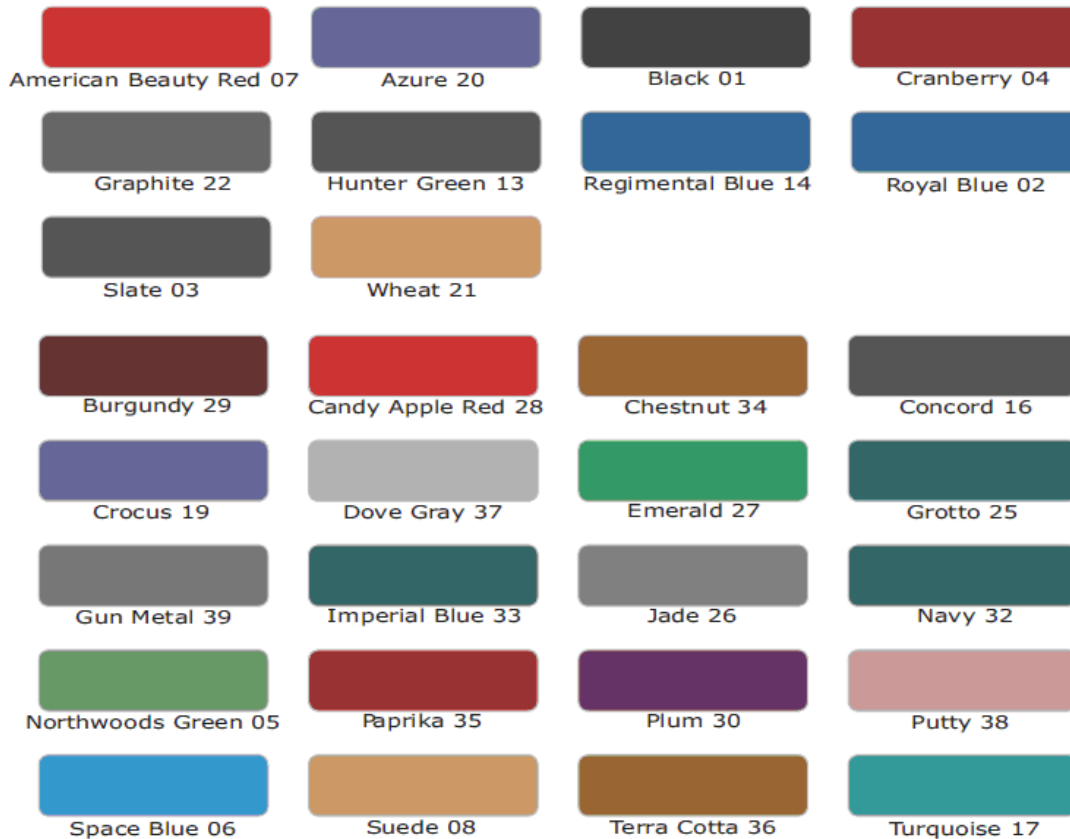
# Frame and Upholstery Color Chart

## Frame Colors



Note: Include frame color in order notes when ordering frame assemblies or weldments.

## Upholstery Colors



Replace '99' with the above color suffix when ordering pads (i.e. 7412399 = 7412301 BLACK)

