

Pro2 Series - Leg Extension

PSLESE

Parts Manual

1/5/2019 16:11:33 PM

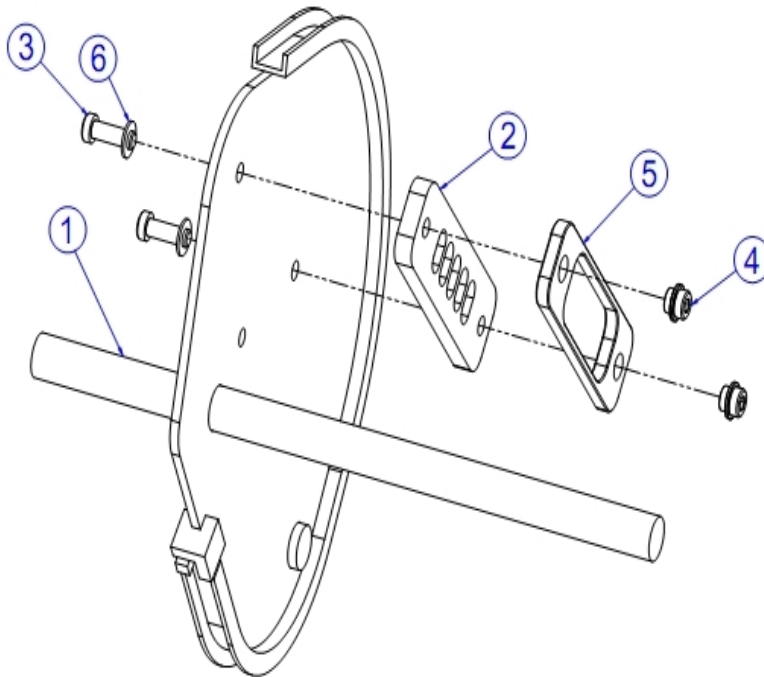


Table of Contents

Cam Assembly.....	3
Component Assembly.....	4
Four Bar Shifter Assembly.....	5
Increment Weight Assembly with Striker.....	6
Movement Arm Assembly.....	7
Optional Full Shroud Kit.....	8
Optional Rear Shroud Kit Std - Med.....	9
Roller Seat Assembly.....	10
Seat Frame Assembly.....	11
Side Frame Assembly.....	12
Weight Stack Assembly 300Lb.....	14
Work Arm Assembly.....	15
5Lb Increment Weight Assembly.....	16

** Upholstery & Frame Colors are listed at the end of the Parts Manual **

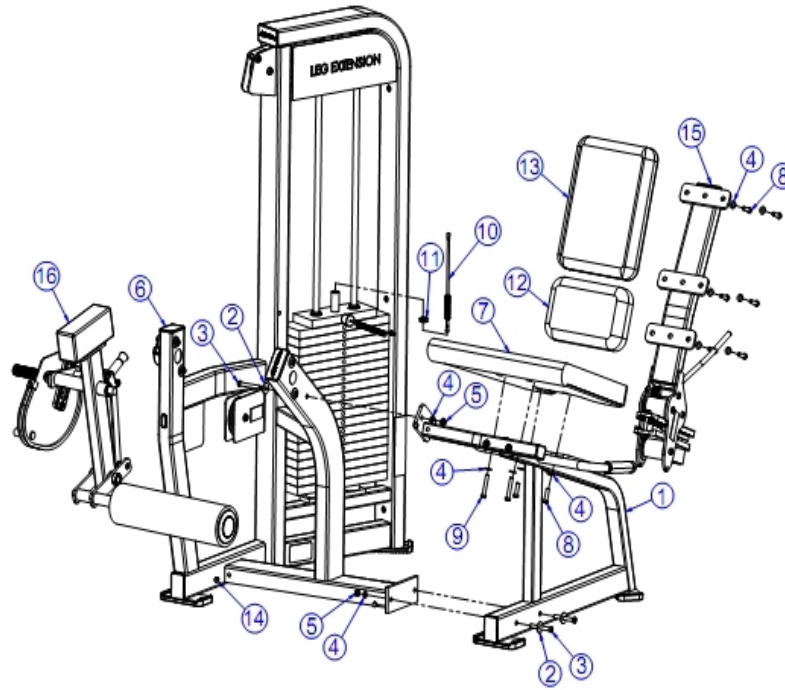
Cam Assembly



Ref #	Part Number	Qty	Description
1	7375201	1	Weldment PSLE PIVOT ARM FXD
2	7352501	1	5-Hole Selector Plate
3	3236203	2	Hardware: Screw 30MM
4	7335401	2	Hardware: Nut 10 MM ID
5	7350901	1	Plate Slot Stop
6	3273303	2	Hardware: WasherR, 3/8, THRU-HARDENED

** Upholstery and Frame Colors are list at the end of the Parts Manual **

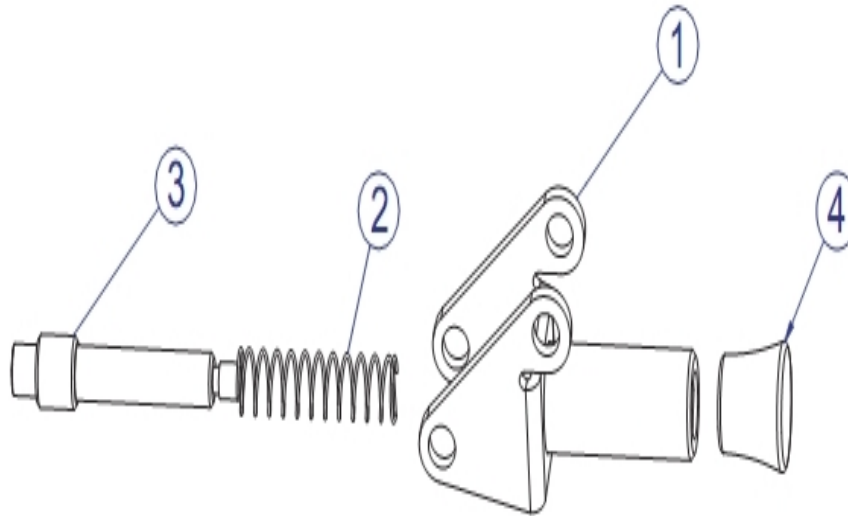
Component Assembly



Ref #	Part Number	Qty	Description
1	7373101	1	Assembly - PSLE Seat-Frame
2	3236602	3	Washer 3/8"
3	3236212	3	Hardware: Screw 75MM
4	3273303	13	Hardware: WasherR, 3/8, THRU-HARDENED
5	3236801	3	Hardware: Nut 10 MM ID
7	7399299	1	Pad, Seat 21 X 20-1/16 Custom
8	3236204	8	Hardware: Screw 35MM
9	3236209	2	Hardware: Screw 60MM
10	7423702	1	Cable PSLE X 112-1/8"
11	3236902	1	Hardware: Nut 16 MM ID
12	7399399	1	Pad, 7 X 11-1/4 Custom
13	7422199	1	Pad, Back, 15 X 11-1/4 Custom
14	3237401	8	Plug 7/16" Hole
16	PSLE-OMA-ASSY	1	Assembly PSLE SE Workarm
-	7379801	1	Assembly PS-4-Bar Shifter
-	7415202	1	Kit PRO2 Rear Shroud Standard-Medium
-	7415101	1	Assembly Increment Weight With Striker
-	7539602	1	Assembly - Optional Full Shroud

** Upholstery and Frame Colors are list at the end of the Parts Manual **

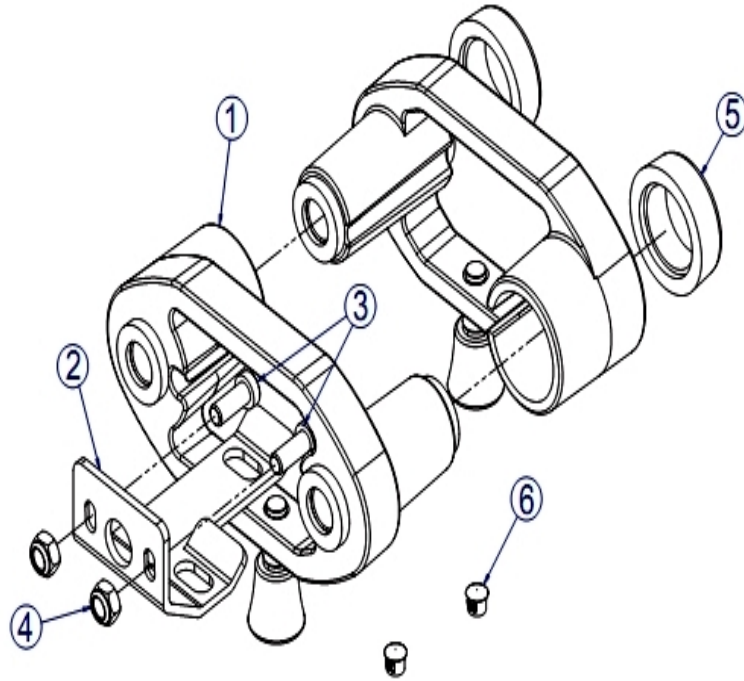
Four Bar Shifter Assembly



Ref #	Part Number	Qty	Description
1	7379995	1	Weldment PS - 4-BAR S HIFTER
2	7351501	1	Pull Pin Spring
3	7351301	1	Pull Pin
4	7351401	1	Knob Tulip Style

** Upholstery and Frame Colors are list at the end of the Parts Manual **

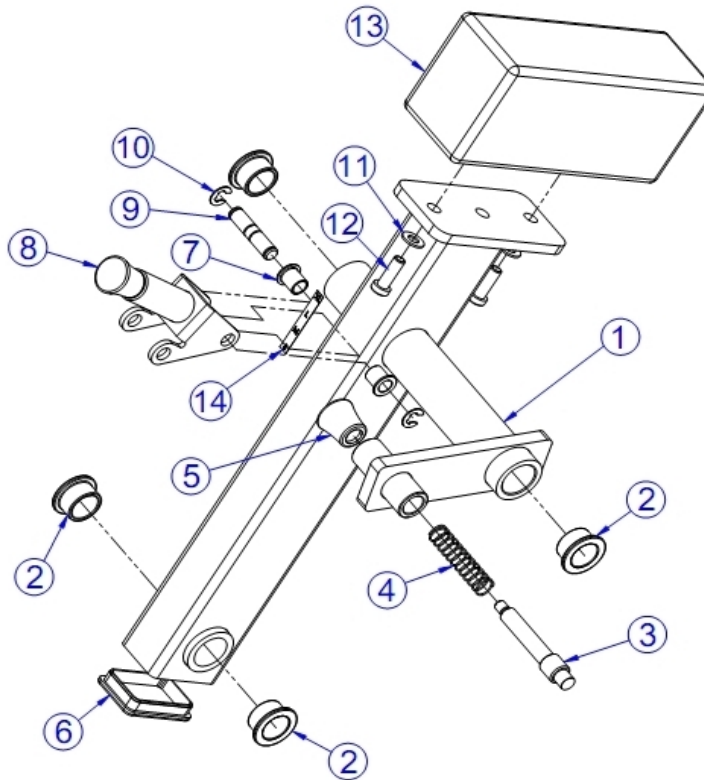
Increment Weight Assembly with Striker



Ref #	Part Number	Qty	Description
1	8047001	2	Assembly PS Increment Weight
2	8700801	1	Plate Increment Weight Striker
3	3236202	2	Hardware: Screw 25MM
4	3236801	2	Hardware: Nut 10 MM ID
5	7767601	2	Bumper PS Increment
6	3237401	2	Plug 7/16" Hole

** Upholstery and Frame Colors are list at the end of the Parts Manual **

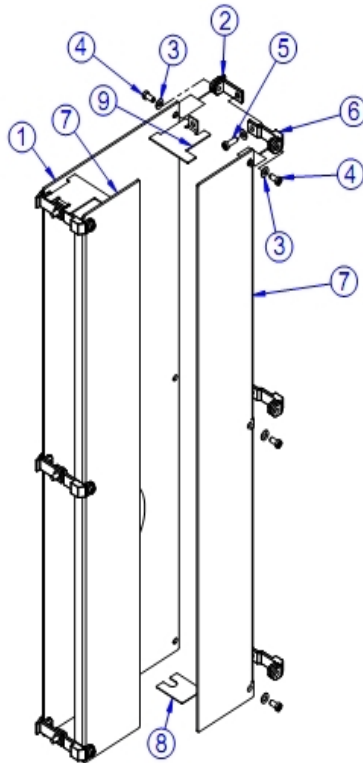
Movement Arm Assembly



Ref #	Part Number	Qty	Description
1	7375401	1	Weldment PSLE-Optional MA
2	3104903	4	Bearing 1" ID 1.25" OD
3	7351301	1	Pull Pin
4	7351501	1	Pull Pin Spring
5	7351401	1	Knob Tulip Style
6	7352301	1	End Cap
7	LEA6020601	2	Bearing; Flanged 1/2 ID X 5/8 OD
8	7379801	1	Assembly PS-4-Bar Shifter
9	7380201	1	Pin PS-4-Bar Short
10	3221705	2	E-Ring External 1/2"
11	3273303	2	Hardware: WasherR, 3/8, THRU-HARDENED
12	3236203	2	Hardware: Screw 30MM
13	7802501	1	Weight Counter LG
14	7422006	1	Label XL-Small

** Upholstery and Frame Colors are list at the end of the Parts Manual **

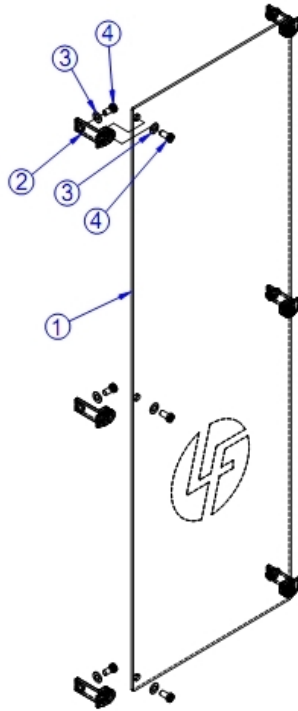
Optional Full Shroud Kit



Ref #	Part Number	Qty	Description
1	8352402	1	Shroud PS Rear 51.0 X 16.43
2	7655301	6	Bracket PS Rear Shield
3	3273303	18	Hardware: WasherR, 3/8, THRU-HARDENED
4	3236201	12	Hardware: Screw 20MM
5	3236203	6	Hardware: Screw 30MM
6	7376601	6	Bracket PS Front Shield
7	7376902	2	Shield PS Front 51.0
8	7570901	2	Plate PS Shield Stand-Off - Not A Protokon Part
9	7657401	2	Plate PRO2 Shroud Space BlueR

** Upholstery and Frame Colors are list at the end of the Parts Manual **

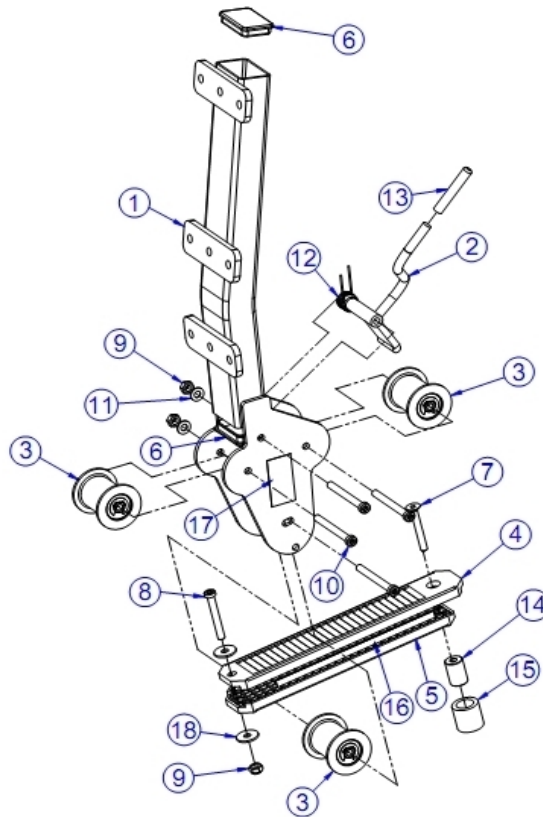
Optional Rear Shroud Kit Std - Med



Ref #	Part Number	Qty	Description
1	8352402	1	Shroud PS Rear 51.0 X 16.43
2	7655301	6	Bracket PS Rear Shield
3	3273303	12	Hardware: WasherR, 3/8, THRU-HARDENED
4	3236201	12	Hardware: Screw 20MM

** Upholstery and Frame Colors are list at the end of the Parts Manual **

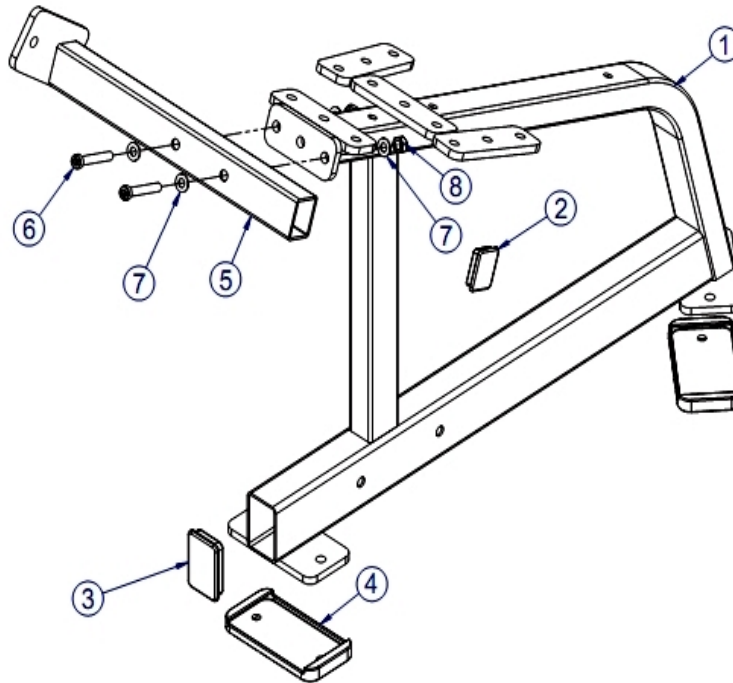
Roller Seat Assembly



Ref #	Part Number	Qty	Description
1	7387399	1	Weldment, PS, St6 Custom
2	8417195	1	Weldment, Roller Seat Handle SG
3	7564201	3	Assembly Seat Roller
4	8416801	1	Track Seat - Serrated (20 Slots)
5	7564401	1	Seatrack Flat
6	7352301	2	End Cap
7	3238312	1	Hardware: Screw 75mm
8	3236212	1	Hardware: Screw 75MM
9	3236801	5	Hardware: Nut 10 MM ID
10	3236217	4	Hardware: Screw 100MM
11	3273303	4	Hardware: WasherR, 3/8, THRU-HARDENED
12	7442701	1	Spring PRO2 Handle Torsion
13	3238502	1	Cap
14	7570601	1	Stop Roller Seat
15	3235802	1	Grip 1.5" OD
16	7422002	1	Label Seat Adjust
17	7422001	1	Label Seat Inst
18	3236602	2	Washer 3/8"

** Upholstery and Frame Colors are list at the end of the Parts Manual **

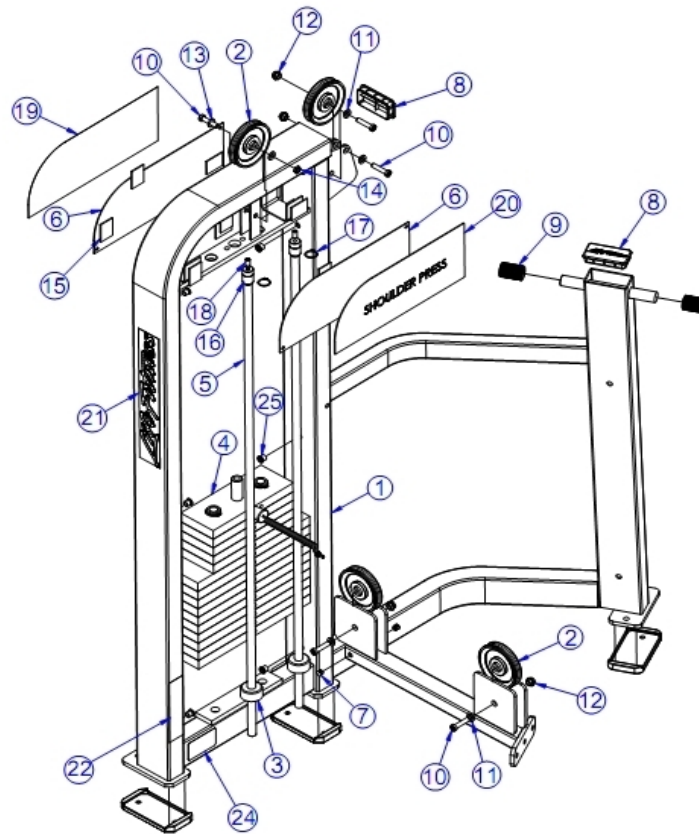
Seat Frame Assembly



Ref #	Part Number	Qty	Description
1	7655801	1	Weldment PSLE SEAT FRAME
2	9217401	1	CAP, 1.5IN X 2IN -10-14GA, END
3	7352301	1	End Cap
4	7388201	2	Footpad PS Rubber
5	7662901	2	Grip Cap
6	7662801	2	Grip Ring 1.25"
7	3236602	1	Washer 3/8"
8	LEA3247701	8	Hardware: Screw
9	7626701	1	Weldment PSLE SEAT BRACE
10	3236212	2	Hardware: Screw 75MM
11	3273303	4	Hardware: WasherR, 3/8, THRU-HARDENED
12	3236801	2	Hardware: Nut 10 MM ID

** Upholstery and Frame Colors are list at the end of the Parts Manual **

Side Frame Assembly

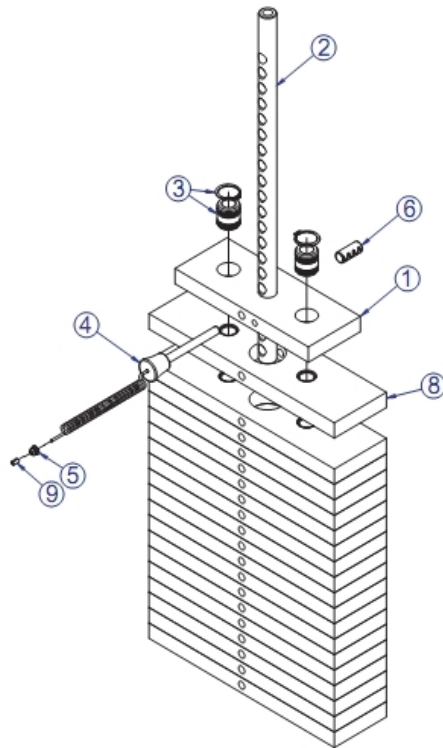


Ref #	Part Number	Qty	Description
1	7371701	1	Weldment PSLE SIDE-Frame
2	3237801	3	Pulley 4.5" OD
3	3237701	2	Pillow Block Assembly
4	3236602	4	Washer 3/8"
5	3236212	4	Hardware: Screw 75MM
6	3236801	4	Hardware: Nut 10 MM ID
7	7348101	3	Hardware: Spacer Washer
8	3236205	1	Hardware: Screw 40 MM
9	3236206	3	Hardware: Screw 45MM
10	7335401	3	Hardware: Nut 10 MM ID
11	7352301	2	End Cap
12	3273303	2	Hardware: WasherR, 3/8, THRU-HARDENED
13	3236901	1	Hardware: Nut Hex Jam 10 MM
14	9169401	2	COVER, STACK-PRO2 STD
15	7352401	2	End Cap
16	7388201	2	Footpad PS Rubber
17	7353501	1	Assembly Weight Stack 300 LB
18	7328601	2	Guide Rod .75 OD Solid X 48.38
19	7352101	2	Cushion Weight Stack
20	7402301	2	Retainer Guide Rod
21	3232421	2	Reatining Ring 0.940" D
22	3240501	2	Set Screw

Ref #	Part Number	Qty	Description
23	7443401	1	Label PSLE Placard English
24	7544202	12	Pad Dual Lock 250 2 X 1-1/2
25	7491401	1	Label PSLE Logo Panel
26	7348001	1	Label Life Fitness Logo
27	7422004	1	Label 2" ASTM Warning
28	7571301	1	Label Serial Number
29	8039501	2	Label Warning Triangle 10-0099-067 BNR
30	7488701	1	Label Axis Of Rotation
31	3238101	6	Hardware: Nut 10 MM ID
32	7570801	1	Guard Paint 1.25 X .75 X .25

** Upholstery and Frame Colors are list at the end of the Parts Manual **

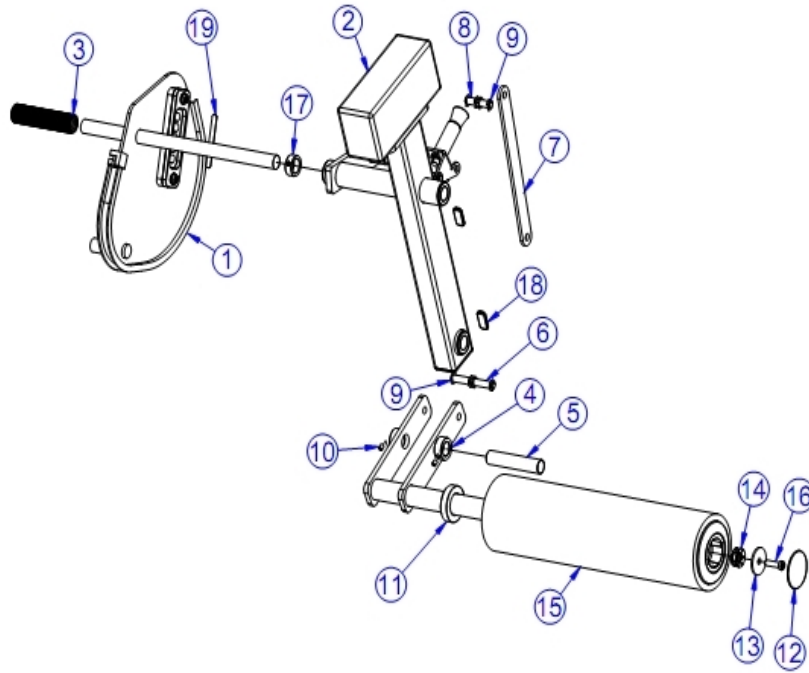
Weight Stack Assembly 300Lb



Ref #	Part Number	Qty	Description
1	7353901	1	Headplate Weight Stack
2	7356601	1	Stem PRO2 19 Hole
3	7338001	2	Bushing Headplate
4	7353001	1	Hardware: Assembly Selector Pin
5	7356501	1	Plug Lanyard Attachment
6	3236001	1	SpringPin Bushing
8	7353801	19	Weight Plate 15 LB
9	7523601	1	Crimp Cable
-	7987201	1	Label 300 LB Stack
-	7987401	1	Label 138 KG Stack

** Upholstery and Frame Colors are list at the end of the Parts Manual **

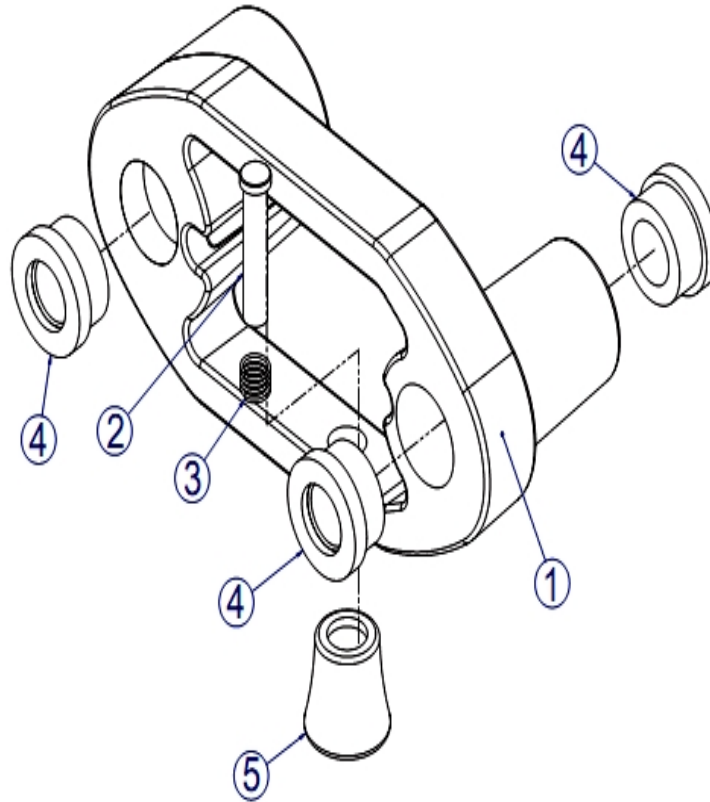
Work Arm Assembly



Ref #	Part Number	Qty	Description
1	8375901	1	WLDMT, PSLE PIVOT ARM FIXED
2	7375301	1	Assembly PSLE-Optional MA
3	6912805	1	Sleeve Accordion 1.0 ID X5.50
4	7375895	1	Weldment PSLE Optional Ma Kicker Shadow Gray
5	7358201	1	Shaft 1 Diameter X 4.88
6	7380202	1	Pin PS-4-Bar Long
7	7380195	1	Link PS 4-Bar Assembly Shadow Gray
8	7380201	1	Pin PS-4-Bar Short
9	3221705	8	E-Ring External 1/2"
10	3242902	2	Set Screw 5/16 X 1/4
11	7357901	1	Shaft Collar
12	7308701	1	Cap Bearing Housing
13	7322301	1	Plate 1.97 OD X .447 ID X5 GA
14	7347301	1	Hardware: Nut 10 MM ID
15	7392899	1	ASSY, ROLLER PAD LONG Custom
16	3236204	1	Hardware: Screw 35MM
17	7435301	1	Collar Shaft 1.020 ID
18	7570801	2	Guard Paint 1.25 X .75 X .25
19	7805801	1	Label PS A-E Straight

** Upholstery and Frame Colors are list at the end of the Parts Manual **

5Lb Increment Weight Assembly



Ref #	Part Number	Qty	Description
1	8047001	1	Assembly PS Increment Weight
2	7446901	1	Hardware: Pin Retaining
3	7447001	1	Compression Spring
4	7560001	3	Bushing MTS Increment Weight
5	7351401	1	Knob Tulip Style

** Upholstery and Frame Colors are list at the end of the Parts Manual **

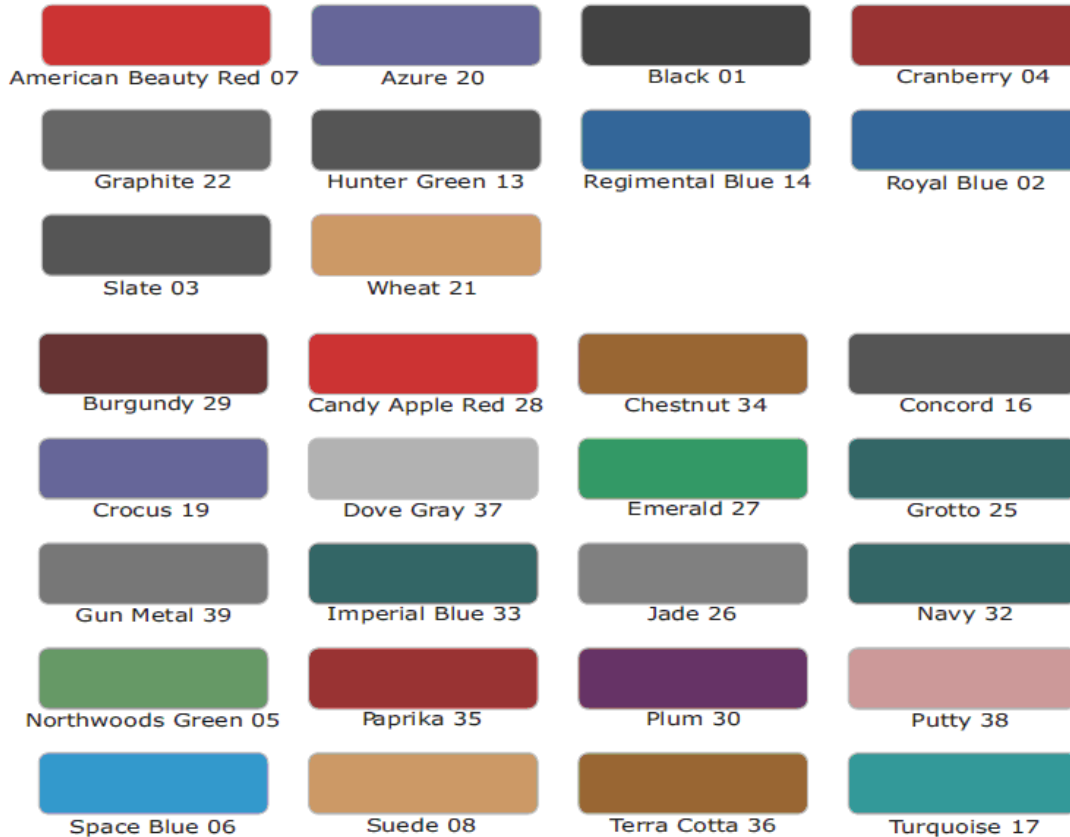
Frame and Upholstery Color Chart

Frame Colors



Note: Include frame color in order notes when ordering frame assemblies or weldments.

Upholstery Colors



Replace '99' with the above color suffix when ordering pads (i.e. 7412399 = 7412301 BLACK)

