

# Pro2 Series - Lat Pulldown

PSPDSE

## Parts Manual

1/5/2019 16:11:37 PM



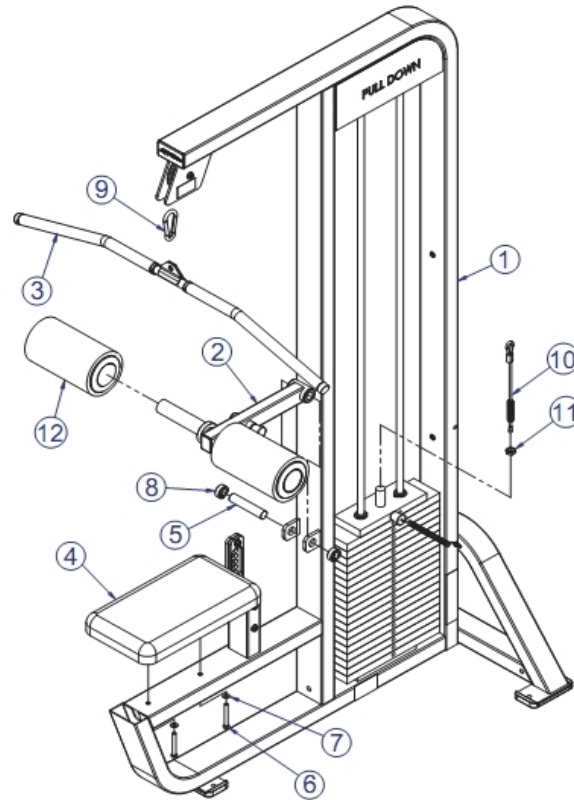
**Table of Contents**

---

[Component Assembly](#).....3  
[Increment Weight Assembly with Striker](#).....4  
[Lat Bar Assembly](#).....5  
[Main Frame Assembly](#).....6  
[Optional Full Shroud Kit](#).....8  
[Rear Shroud Kit](#).....9  
[Thigh Pulldown Assembly](#).....10  
[Weight Stack Assembly 300Lb](#).....11  
[5Lb Increment Weight Assembly](#).....12

\*\* Upholstery & Frame Colors are listed at the end of the Parts Manual \*\*

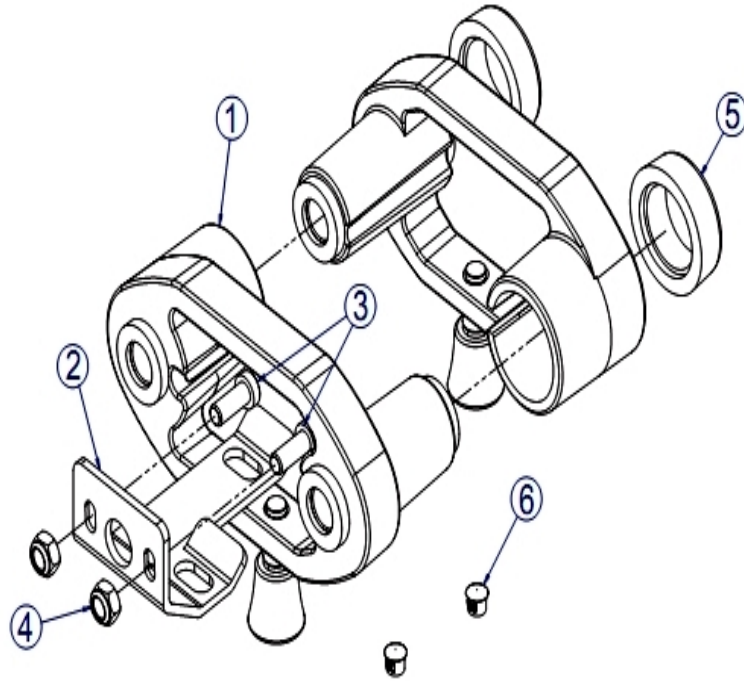
# Component Assembly



Ref #	Part Number	Qty	Description
1	7441901	1	PTD ASSY MAIN Frame
2	7442201	1	Painted Assembly Thigh Hold Down
3	7442301	1	Painted Assembly Lat Bar
4	7297399	1	Pad, 18 X 10 Custom
5	7358201	1	Shaft 1 Diameter X 4.88
6	3236212	2	Hardware: Screw 75MM
7	3273303	2	Hardware: WasherR, 3/8, THRU-HARDENED
8	7435301	2	Collar Shaft 1.020 ID
9	3250201	1	Snap Link 3/8" D
10	1003787-0001	1	CABLE, M16TP, LOOP
11	3236902	1	Hardware: Nut 16 MM ID
12	7424799	2	ASSY, ROLLER PAD SHORT Custom

\*\* Upholstery and Frame Colors are list at the end of the Parts Manual \*\*

## Increment Weight Assembly with Striker



Ref #	Part Number	Qty	Description
1	8047001	2	Assembly PS Increment Weight
2	8700801	1	Plate Increment Weight Striker
3	3236202	2	Hardware: Screw 25MM
4	3236801	2	Hardware: Nut 10 MM ID
5	7767601	2	Bumper PS Increment
6	3237401	2	Plug 7/16" Hole
-	7987401	1	Label 138 KG Stack
-	7415101	1	Assembly Increment Weight With Striker
-	7987201	1	Label 300 LB Stack

\*\* Upholstery and Frame Colors are list at the end of the Parts Manual \*\*

**Lat Bar Assembly**

---

<b>Ref #</b>	<b>Part Number</b>	<b>Qty</b>	<b>Description</b>
1	7365795	1	Weldment PSPD Lat Bar Shadow Gray
2	7662801	2	Grip Ring 1.25"
3	3235801	2	Grip - 1.25" OD
4	7662901	2	Grip Cap

\*\* Upholstery and Frame Colors are list at the end of the Parts Manual \*\*

## Main Frame Assembly

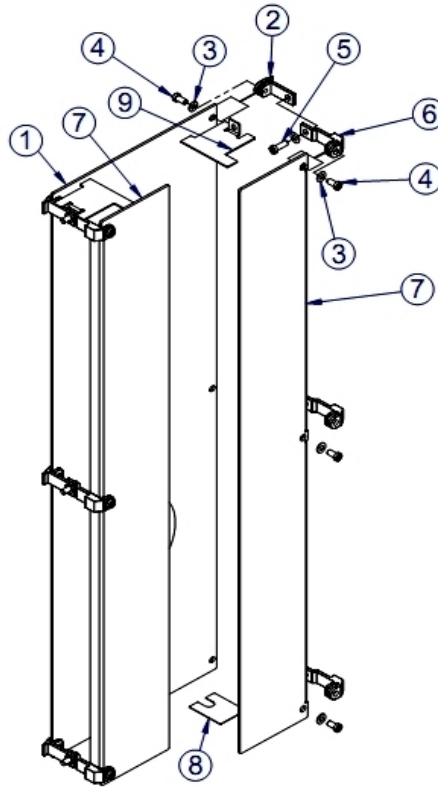
---

Ref #	Part Number	Qty	Description
1	7365201	1	Weldment PSPD Main Frame
2	7350901	1	Plate Slot Stop
3	3237801	2	Pulley 4.5" OD
4	7352301	1	End Cap
5	7352401	1	End Cap
6	7544202	12	Pad Dual Lock 250 2 X 1-1/2
7	9169401	2	COVER, STACK-PRO2 STD
8	7348101	1	Hardware: Spacer Washer
9	7335401	5	Hardware: Nut 10 MM ID
10	3236201	2	Hardware: Screw 20MM
11	3273303	6	Hardware: WasherR, 3/8, THRU-HARDENED
12	3236206	2	Hardware: Screw 45MM
13	7357801	1	Plate 3/8X2 5 Slot Selector
14	3236215	2	Hardware: Screw 90MM
15	7353501	1	Assembly Weight Stack 300 LB
16	7328607	2	Guide Rod .75 OD Solid X 78.75
17	7352101	2	Cushion Weight Stack
18	7402301	2	Retainer Guide Rod
19	3232421	2	Reatining Ring 0.940" D
20	3240501	2	Set Screw
21	7490701	1	Label PSPD Logo Panel
22	7442001	1	Label PSPD Placard English

Ref #	Part Number	Qty	Description
23	7422004	1	Label 2" ASTM Warning
24	7571301	1	Label Serial Number
25	8039501	1	Label Warning Triangle 10-0099-067 BNR
26	7348001	1	Label Life Fitness Logo
27	7388201	3	Footpad PS Rubber
28	3238101	8	Hardware: Nut 10 MM ID
29	3237401	5	Plug 7/16" Hole
30	3237402	2	Plug 1/2" Hole
31	3236901	1	Hardware: Nut Hex Jam 10 MM

\*\* Upholstery and Frame Colors are list at the end of the Parts Manual \*\*

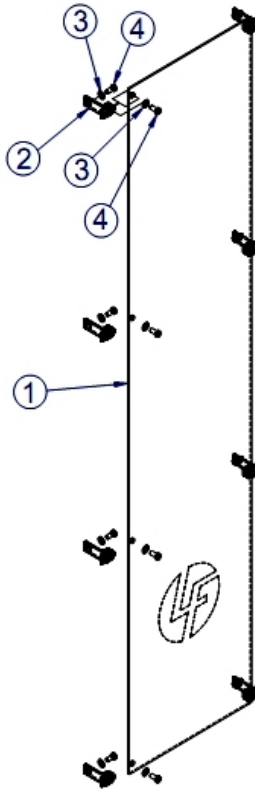
## Optional Full Shroud Kit



Ref #	Part Number	Qty	Description
1	8352601	1	Shroud PSPD Rear
2	7655301	8	Bracket PS Rear Shield
3	3273303	24	Hardware: WasherR, 3/8, THRU-HARDENED
4	3236201	16	Hardware: Screw 20MM
5	3236203	8	Hardware: Screw 30MM
6	7376601	8	Bracket PS Front Shield
7	7469801	2	Shield PSPD Front
8	7570901	2	Plate PS Shield Stand-Off - Not A Protokon Part
9	7657401	2	Plate PRO2 Shroud Space BlueR
-	7539601	1	KIT PRO2 FULL SHROUD STD-SHORT

\*\* Upholstery and Frame Colors are list at the end of the Parts Manual \*\*

## Rear Shroud Kit



Ref #	Part Number	Qty	Description
1	8352601	1	Shroud PSPD Rear
2	7655301	8	Bracket PS Rear Shield
3	3273303	16	Hardware: WasherR, 3/8, THRU-HARDENED
4	3236201	16	Hardware: Screw 20MM
-	7442501	1	Kit PRO2 Shroud XL

\*\* Upholstery and Frame Colors are list at the end of the Parts Manual \*\*

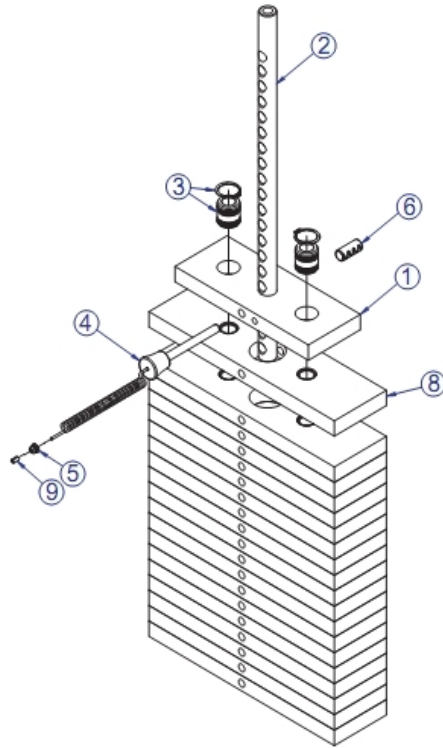
## Thigh Pulldown Assembly

---

Ref #	Part Number	Qty	Description
1	7365501	1	Weldment PSPD Hold Down
2	3104903	2	Bearing 1" ID 1.25" OD
3	7351501	1	Pull Pin Spring
4	7351401	1	Knob Tulip Style
5	9217401	1	CAP, 1.5IN X 2IN -10-14GA, END
6	7347301	2	Hardware: Nut 10 MM ID
7	7357901	2	Shaft Collar
8	7424799	2	ASSY, ROLLER PAD SHORT Custom
9	3236204	2	Hardware: Screw 35MM
10	7322301	2	Plate 1.97 OD X .447 ID 10 GA
11	7308701	2	Cap Bearing Housing

\*\* Upholstery and Frame Colors are list at the end of the Parts Manual \*\*

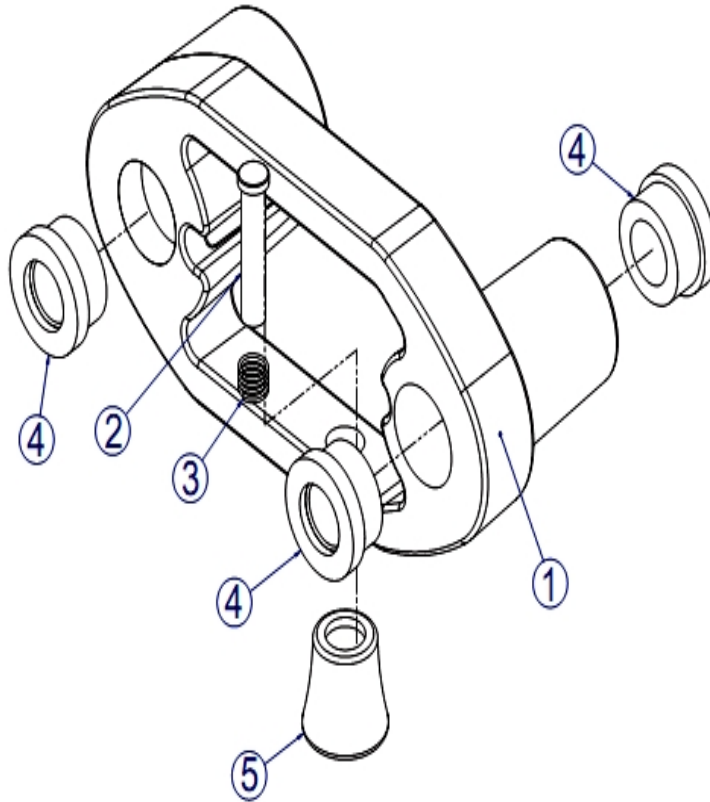
# Weight Stack Assembly 300Lb



Ref #	Part Number	Qty	Description
1	7353901	1	Headplate Weight Stack
2	7356601	1	Stem PRO2 19 Hole
3	7338001	2	Bushing Headplate
4	7353001	1	Hardware: Assembly Selector Pin
5	7356501	1	Plug Lanyard Attachment
6	3236001	1	SpringPin Bushing
8	7353801	19	Weight Plate 15 LB
9	7523601	1	Crimp Cable

\*\* Upholstery and Frame Colors are list at the end of the Parts Manual \*\*

## 5Lb Increment Weight Assembly



Ref #	Part Number	Qty	Description
1	8047001	1	Assembly PS Increment Weight
2	7446901	1	Hardware: Pin Retaining
3	7447001	1	Compression Spring
4	7560001	3	Bushing MTS Increment Weight
5	7351401	1	Knob Tulip Style

\*\* Upholstery and Frame Colors are list at the end of the Parts Manual \*\*

# Frame and Upholstery Color Chart

## Frame Colors



Note: Include frame color in order notes when ordering frame assemblies or weldments.

## Upholstery Colors



Replace '99' with the above color suffix when ordering pads (i.e. 7412399 = 7412301 BLACK)

