

# R3 Base No Cord Required

R3-XX0X-0103

## Parts Manual

1/5/2019 16:15:59 PM

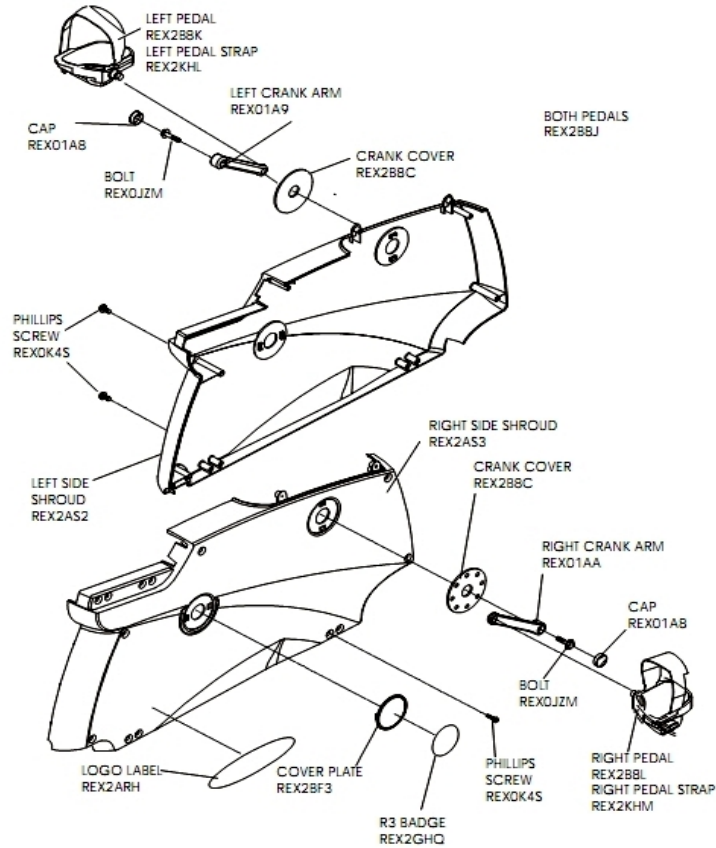


**Table of Contents**

---

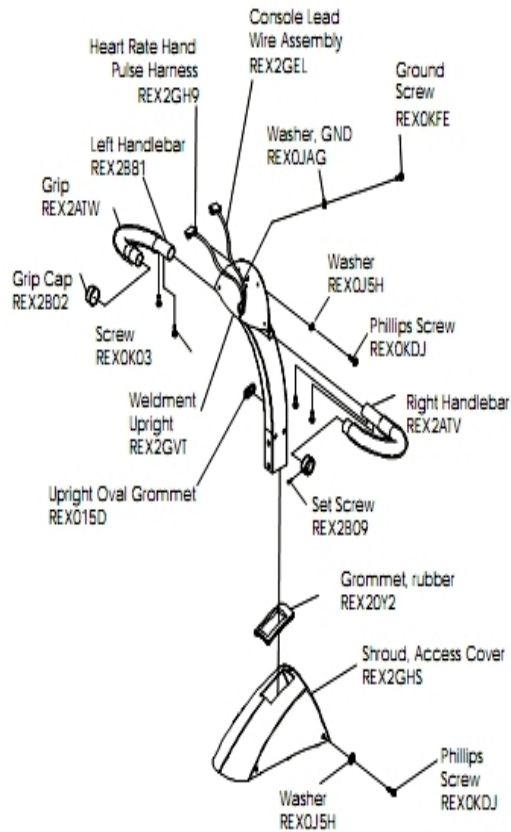
<a href="#">Component Assembly 1</a>	3
<a href="#">Component Assembly 2</a>	4
<a href="#">Component Assembly 3</a>	5
<a href="#">Component Assembly 4</a>	7
<a href="#">Component Assembly 5</a>	9
<a href="#">Component Assembly 6</a>	10

# Component Assembly 1



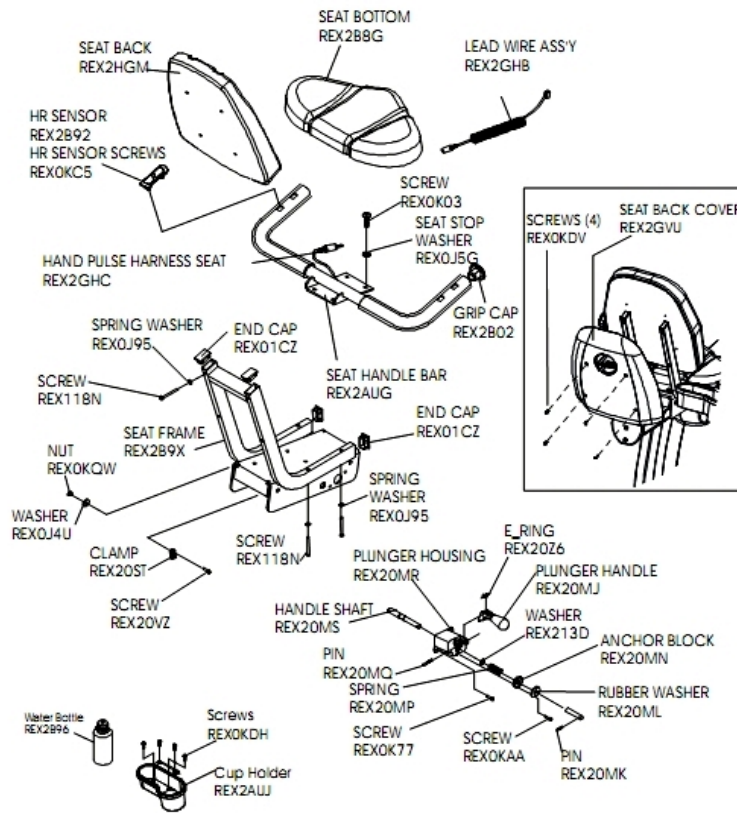
Ref #	Part Number	Qty	Description
-	REX0JZM	2	Hardware: 8-18 Screw, HEX Washer Type 25
-	REX2KHL	1	Pedal Strap, Left
-	REX2GHQ	1	Decal: Badge, R3
-	REX229E	1	Assembly; Left And Right Pedal - R1-5
-	REX3GJ4	1	CRANK, R
-	REX2KHM	1	Pedal Strap, Right
-	REX2AS3	1	Shroud, Main Right
-	REX2AS2	1	Shroud, Main Left
-	REX0K4S	3	Hardware: Screw, PHI 5MM X 12MM
-	REX2B8K	1	Left Pedal, Self Balancing
-	REX3GJ3	1	CRANK, L
-	REX2BF3	1	Cover, Extra Crank Hole
-	REX01A8	2	Plastic Cap. Crank
-	REX2B8C	2	Cover, Crank
-	REX2B8L	1	Right Pedal, Self Balancing
-	REX2ARH	2	Decal: Label, LifeFitness Logo

## Component Assembly 2



Ref #	Part Number	Qty	Description
-	REX20Y2	1	Grommet, Upright
-	REX2ATV	1	Handle, Bar Right
-	REX2GVT	1	Weldment, Upright
-	REX0KFE	1	Hardware: Screw, GND
-	REX2B02	2	Cap, Grip
-	REX2GHS	1	Shroud, Access Cover
-	REX2B09	1	Hardware: M4 X .7 HXS NO CUP ST BO
-	REX015D	1	Grommet, Upright Oval
-	REX0J5H	2	Hardware: Washer, 6MM ID X 12MM OD
-	REX0KDJ	2	Hardware: Screw, PHI 5MM*.8 X 12MM
-	REX2B81	1	Handle, Bar Left
-	REX2ATW	1	Grip
-	REX2GH9	1	Cable Assembly, Hand Pulse Harness To Console
-	REX0JAG	1	Hardware: Washer, Lock Ext. Tooth BZ
-	REX0K03	2	Hardware: Screw, BSH
-	REX2GEL	1	E-Cable: Lead Wire Assembly (Upper Console)

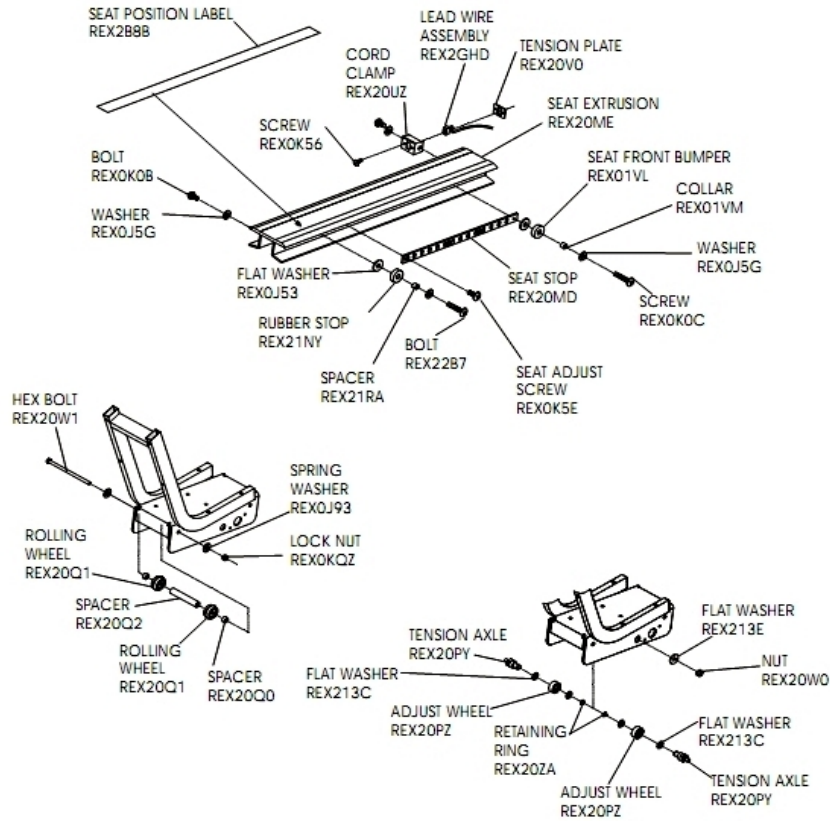
# Component Assembly 3



Ref #	Part Number	Qty	Description
-	REX3GYD	1	RS1 SEAT LOCKING HANDLE
-	REX213D	1	Flat Washer
-	REX0J95	8	Hardware: Washer, Spring
-	REX0K77	1	Hardware: CR.-RE. TRUSS HD. Screw
-	REX0KDH	4	Hardware: Screw, 5MM Diameter X 8MM PHI HD
-	REX20MN	1	Anchor Block
-	REX20MQ	1	Pin-Pivot
-	REX2GHB	1	Hand Pulse Harness, Seat
-	REX2GHC	1	Hand Pulse Harness, Handlebar
-	REX2HGM	1	Seat Back with Lumbar Support
-	REX0J4U	1	Hardware: Washer, Flat 6MM Id X 18MM Od
-	REX20MR	1	Plunger Housing
-	REX20ST	1	Clamp, Power Cord
-	REX2AUG	1	Weldment, Seat Handlebar
-	REX2B02	2	Cap, Grip
-	REX2B8G	1	Seat, Assembly
-	REX20MP	1	Compression Spring
-	REX0KDV	4	Hardware: Screw, M6 1.0-16
-	REX2GVU	1	Seat Back Cover
-	REX2B96	1	Accessory: Water Bottle
-	REX2B92	1	Sensor, Heart Rate
-	REX2AUJ	1	Accessory: Holder, Cup

Ref #	Part Number	Qty	Description
-	REX2B9X	1	Weldment, Seat Frame
-	REX01CZ	4	Cap, End
-	REX20VZ	1	Hardware: Bolt, M5* .8-16MM Cap HD SQ. Neck
-	REX20Z6	1	E-Ring
-	REX0KAA	1	CR.RE. PAN HD. Tapping Screw
-	REX118N	8	Hardware: Screw, CR. RE. PAN HD, M6*1.0-55
-	REX20ML	1	Rubber Washer
-	REX0KC5	1	Hardware: Screw, HR Sensor MTG
-	REX0KQW	1	NUT, LOCKING M5* .8-5MM
-	REX20MJ	1	Plunger Handle
-	REX20MK	1	Location Pin
-	REX0K03	1	Hardware: Screw, BSH
-	REX20MS	1	Handle Shaft
-	REX0J5G	1	Hardware: Washer, 8MM ID X 18MM OD X 1.5MM

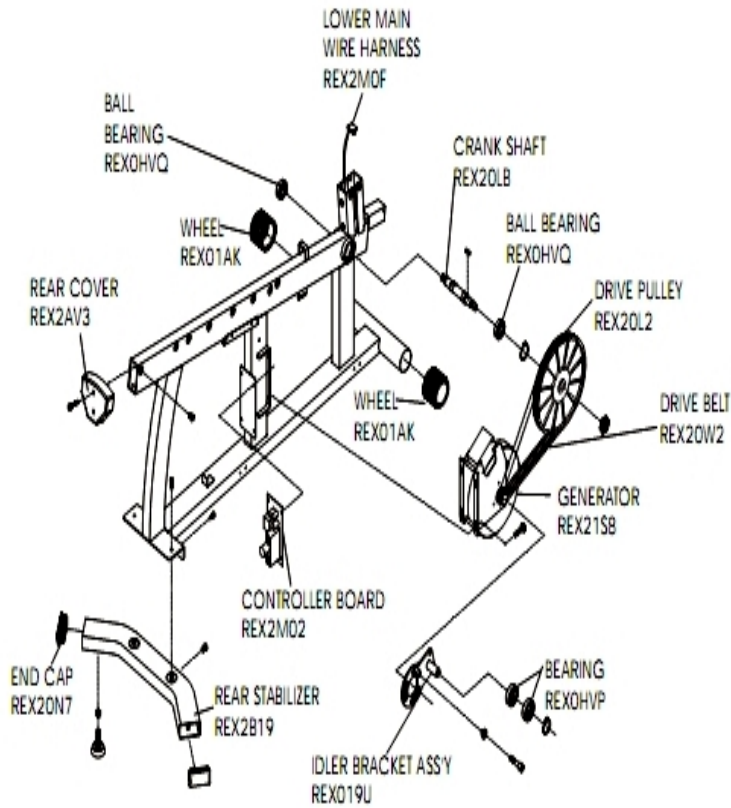
## Component Assembly 4



Ref #	Part Number	Qty	Description
-	REX0J5G	3	Hardware: Washer, 8MM ID X 18MM OD X 1.5MM
-	REX20PY	2	Axle, Tension
-	REX2GHD	1	E-Cable: Lead HR Wire Assembly with RJ11 Phone Jac
-	REX20W1	1	Hardware: Bolt, HEX M10*1.5-160
-	REX21RA	1	Spacer, Tube
-	REX20ME	1	Extrusion, Seat
-	REX0J53	1	Hardware: Washer, Flat .84*24-2
-	REX01VL	1	Bumper, Seat Front
-	REX20PZ	2	Wheel, Adjust
-	REX20W0	1	Hardware: Nut, M10*1.5 HEX SERR Flange
-	REX20Q1	2	Wheel, Rolling
-	REX0J93	2	Hardware: Washer, Spring 1.0
-	REX20Q0	2	Spacer
-	REX0K56	1	Hardware: Screw, M5*.8-12MM CR RE Count HD
-	REX20MD	1	Stop, Seat
-	REX213E	1	Hardware: Washer, Flat
-	REX01VM	1	Spacer, Tube SM
-	REX20Q2	1	Spacer Rexon
-	REX20UZ	1	Cord Clamp
-	REX21NY	1	1" Rubber Bumper
-	REX2B8B	1	Decal: Label, Seat Position
-	REX0K0C	1	Hardware: Screw, M8*1.25-35 HEX SOC TRUSS

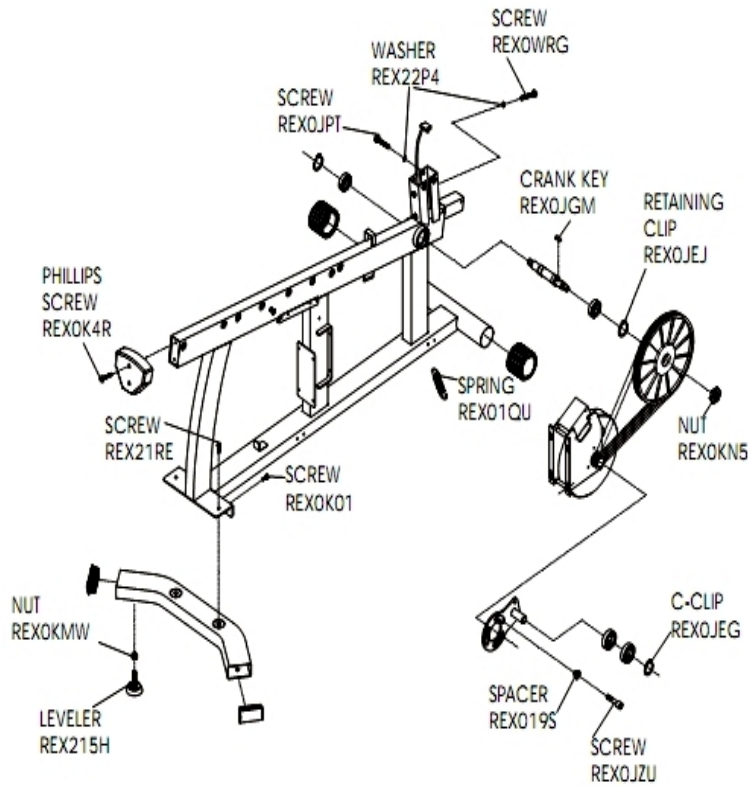
Ref #	Part Number	Qty	Description
-	REX0K5E	1	Hardware: Screw, Seat Adj
-	REX20ZA	2	Ring, Retaining
-	REX20V0	1	Tension Plate
-	REX213C	2	Hardware: Washer, Flat
-	REX22B7	1	Hardware: Cap Screw, M8 X 1.25-40

## Component Assembly 5



Ref #	Part Number	Qty	Description
-	3225301	2	Bearing, 12MM Ball
-	REX2M0F	1	Cable, Splicer
-	REX2AV3	1	Cap, Seat Extrusion
-	REX2M02	1	Electrical:Board, Circuit
-	REX01AK	2	Wheel, Assembly
-	REX20N7	2	Cap, 1.5 X 4.0 Tube
-	REX019U	1	Idler Wheel Bracket Assembly
-	REX3EUR	1	MAGNETIC BRAKE ASSY (Generator/Brake)
-	REX20W2	1	Belt, Poly-V
-	REX2B19	1	Assembly, Rear Foot Stabilizer
-	REX0RXQ	1	Adjust: Tensioner, Belt
-	REX20L2	1	Flywheel
-	REX20LB	1	Crank Shaft
-	REX0HVP	1	Bearing Ball 6004ZZ

## Component Assembly 6



Ref #	Part Number	Qty	Description
-	REX0JZU	1	Hardware: Screw, SHCS Brake MTG
-	REX019S	1	Spacer, Tensioner
-	REX0K01	1	Hardware: Screw, SHCS 5MM X 15MM
-	REX0JEG	1	Ring: C-Ring, A-20
-	REX22P4	1	Hardware: Washer, 8MM ID X 18MM OD
-	REX0JEJ	1	Ring, Retaining, 63/64
-	REX0K4R	1	Hardware: Screw, PHI 5MM X 12MM
-	REX0JPT	1	Hardware: Bolt, 8MM X 60MM
-	REX0JGM	1	Key, Crank
-	REX01QU	1	Spring, Belt Tension
-	REX2NFK	4	Leveler, Leg
-	REX21RE	1	Hardware: Screw, SHCS 8MM X 50MM
-	REX0KN5	1	Hardware: Nut, M19 Low Prof
-	REX0WRG	1	Hardware: Bolt, 8MM X 100MM

