

R3 Recumbent Exercise Lifecycle Bike

R3-XX0X-0303

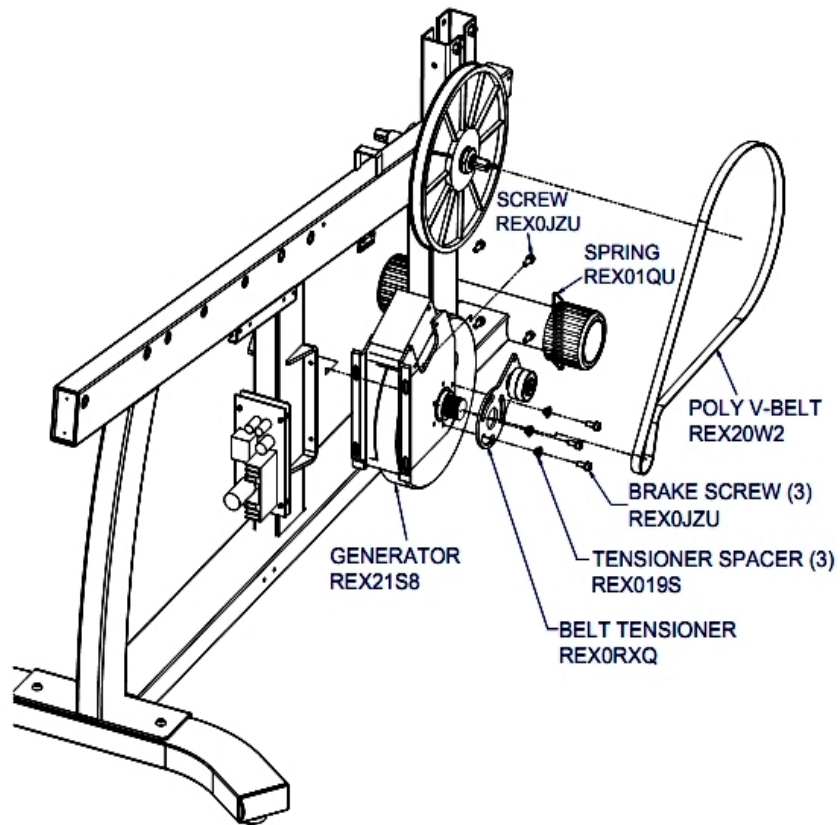
Parts Manual

1/5/2019 16:17:14 PM

Table of Contents

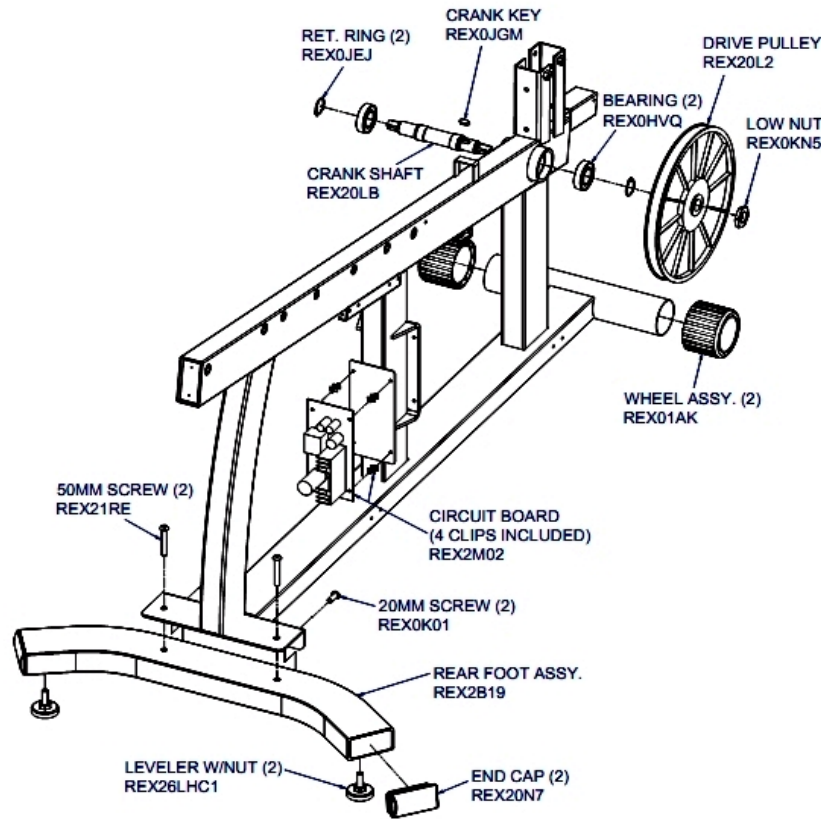
[Drive Components](#).....3
[Frame Components](#).....4
[Miscellaneous](#).....5
[Pedal Components](#).....6
[Seat and Handlebar Components](#).....7
[Seat and Upright Components](#).....9
[Seat Stop Components](#).....10
[Shroud and Hardware](#).....11
[Upright and Bars](#).....12
[Wiring Diagram](#).....14

Drive Components



Ref #	Part Number	Qty	Description
DC-001	REX21S8	1	Magnetic Brake Assembly (Generator/Brake)
-	REX0JZU	7	Hardware: Screw, SHCS Brake MTG
-	REX20W2	1	Belt, Poly-V
-	REX019S	3	Spacer, Tensioner
-	REX01QU	1	Spring, Belt Tension
-	REX0RXQ	1	Adjust: Tensioner, Belt

Frame Components

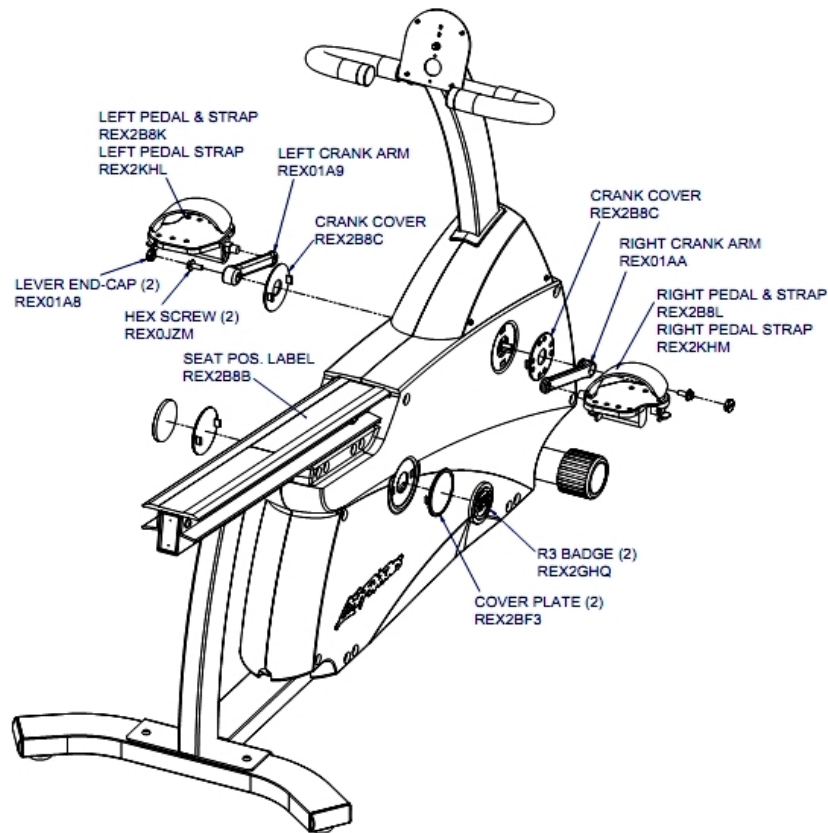


Ref #	Part Number	Qty	Description
-	3225301	2	Bearing, 12MM Ball
-	REX2M0F	1	Cable, Splicer
-	REX0KN5	1	Hardware: Nut, M19 Low Prof
-	REX21RE	2	Hardware: Screw, SHCS 8MM X 50MM
-	REX2GHB	1	Hand Pulse Harness, Seat
-	REX2M02	1	Electrical:Board, Circuit
-	REX2NFK	2	Leveler, Leg
-	REX0JGM	1	Key, Crank
-	REX2GHD	1	E-Cable: Lead HR Wire Assembly with RJ11 Phone Jac
-	REX2H89	1	Cable, Ground
-	REX20LB	1	Crank Shaft
-	REX20L2	1	Flywheel
-	REX2B19	1	Assembly, Rear Foot Stabilizer
-	REX0K01	2	Hardware: Screw, SHCS 5MM X 15MM
-	REX0JEJ	2	Ring, Retaining, 63/64
-	REX2GH9	1	Cable Assembly, Hand Pulse Harness To Console
-	REX2RZ7	1	Contact HR Harness, Handlebar
-	REX20N7	2	Cap, 1.5 X 4.0 Tube
-	REX2K87	1	Upper Console Cable, R3
-	REX01AK	2	Wheel, Assembly

Miscellaneous

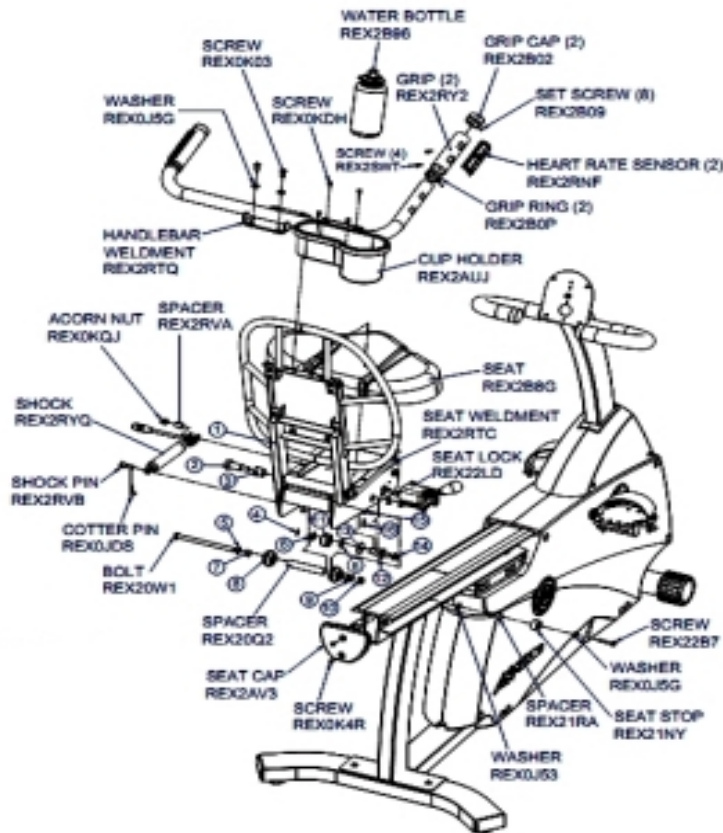
Ref #	Part Number	Qty	Description
-	REX2SWX	1	KIT, ASSY, TOOL BAG
-	REX2HP9	1	Hardware: Kit, Assembly, Step 5
-	REX2TUV	1	KIT, ASSY, STEP 3
-	REX2RYU	1	Kit, R3, All Cust Assembly Hardware
-	REX2BS3	1	KIT, ASSY MONOCOLUMN/HANDLES
-	REX2RYT	1	KIT, ASSY, STEP 2
-	REX2BRX	1	KIT, ASSY REAR FOOT

Pedal Components



Ref #	Part Number	Qty	Description
-	REX0JZM	2	Hardware: 8-18 Screw, HEX Washer Type 25
-	REX2GHQ	2	Decal: Badge, R3
-	REX229E	1	Assembly; Left And Right Pedal - R1-5
-	REX3GJ4	1	CRANK, R
-	REX2KHM	1	Pedal Strap, Right
-	REX2B8K	1	Left Pedal, Self Balancing
-	REX2KHL	1	Pedal Strap, Left
-	REX2B8B	1	Decal: Label, Seat Position
-	REX2BF3	2	Cover, Extra Crank Hole
-	REX01A8	2	Plastic Cap. Crank
-	REX2B8C	2	Cover, Crank
-	REX2B8L	1	Right Pedal, Self Balancing
-	REX3GJ3	1	CRANK, L

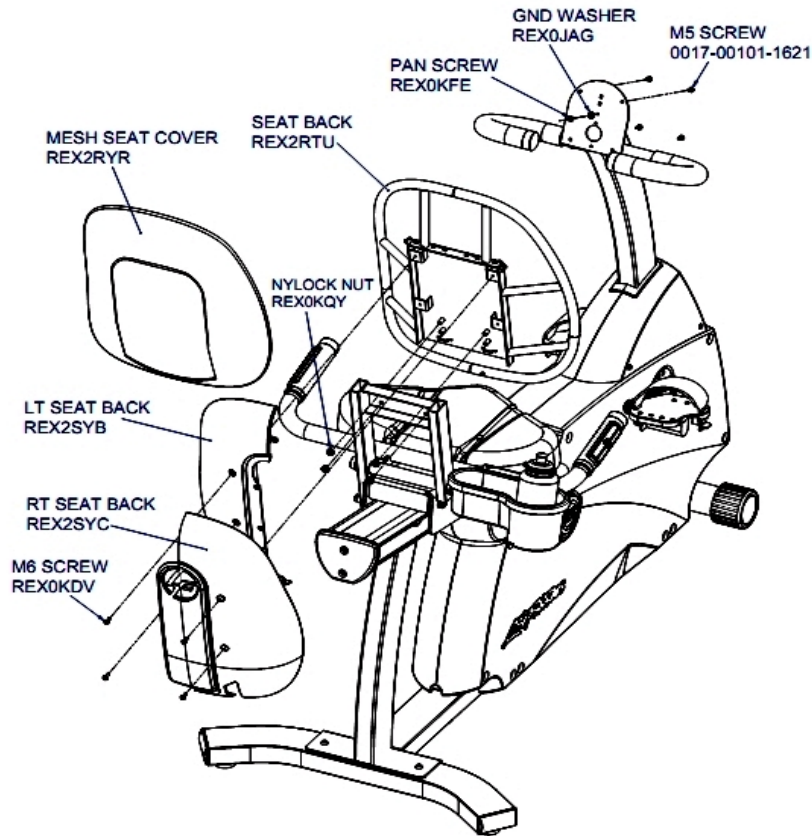
Seat and Handlebar Components



Ref #	Part Number	Qty	Description
1	REX2RTJ	1	Weldment, Seat Back Support
2	REX2RVC	2	Hardware: Bolt, Shoulder
3	REX2RV9	2	Bearing, Seat Back
4	REX20ZA	2	Ring, Retaining
5,9	REX0J93	8	Hardware: Washer, Spring 1.0
6	REX213C	4	Hardware: Washer, Flat
7	REX20Q0	4	Spacer
8	REX20Q1	4	Wheel, Rolling
11	REX20PZ	2	Wheel, Adjust
12	REX20PY	2	Axle, Tension
13	REX213E	2	Hardware: Washer, Flat
14	REX20W0	2	Hardware: Nut, M10*1.5 HEX SERR Flange
15	REX0J95	4	Hardware: Washer, Spring
16	REX0KDV	1	Hardware: Screw, M6 1.0-16
-	REX3GYD	1	RS1 SEAT LOCKING HANDLE
-	REX0J5G	3	Hardware: Washer, 8MM ID X 18MM OD X 1.5MM
-	REX0K4R	1	Hardware: Screw, PHI 5MM X 12MM
-	REX0KDH	2	Hardware: Screw, 5MM Diameter X 8MM PHI HD
-	REX2AV3	1	Cap, Seat Extrusion
-	REX2RTC	1	Weldment, Seat Frame
-	REX2RVB	1	Hardware: Pin, Shock Mount
-	REX0JDS	1	Hardware: Pin, Cotter

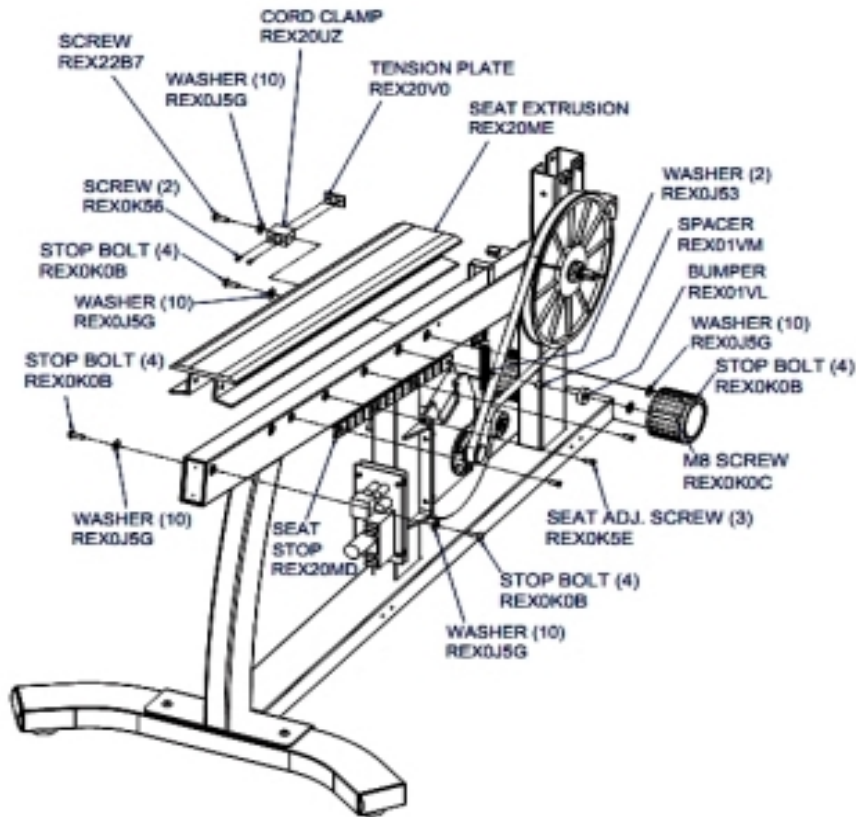
Ref #	Part Number	Qty	Description
-	REX2B02	2	Cap, Grip
-	REX2B0P	2	Ring, Grip
-	REX2B8G	1	Seat, Assembly
-	REX2RNF	2	Sensor, Heart Rate
-	REX2RVA	1	Spacer
-	REX20W1	1	Hardware: Bolt, HEX M10*1.5-160
-	REX21RA	1	Spacer, Tube
-	REX2B96	1	Accessory: Water Bottle
-	REX2B09	8	Hardware: M4 X .7 HXS NO CUP ST BO
-	REX2AUJ	1	Accessory: Holder, Cup
-	REX0J53	1	Hardware: Washer, Flat .8.4*24-2
-	REX2RY2	2	Grip Rexion
-	REX0KQJ	1	Hardware: Nut, Acorn
-	REX20Q2	1	Spacer Rexion
-	REX21NY	1	1" Rubber Bumper
-	REX2RTQ	1	Weldment, Seat Handlebar
-	REX2RYQ	1	Shock Rexion
-	REX0K03	2	Hardware: Screw, BSH
-	REX22B7	1	Hardware: Cap Screw, M8 X 1.25-40
-	REX2SWT	4	Hardware: Screw, HR Sensor MTG

Seat and Upright Components



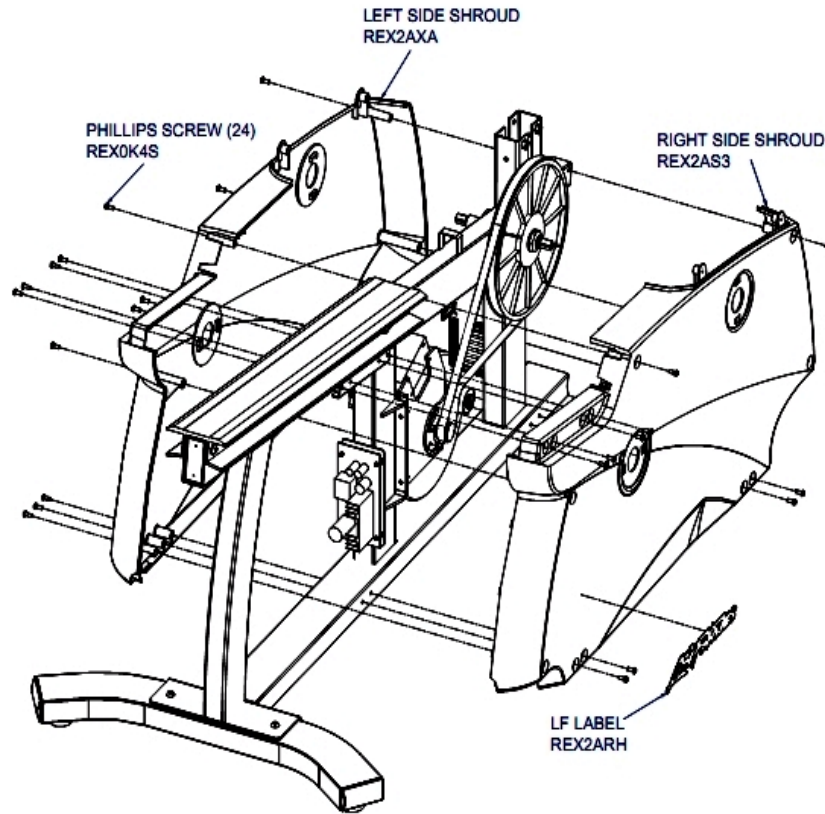
Ref #	Part Number	Qty	Description
-	REX2SYC	1	Seat Back, Cover, Right
-	REX0JAG	1	Hardware: Washer, Lock Ext. Tooth BZ
-	REX2RYR	1	Seat Cover, Mesh
-	REX2RTU	1	Seat Back
-	REX0KDV	4	Hardware: Screw, M6 1.0-16
-	0017-00101-1621	4	Hardware: Phillips Screw 0.5"
-	REX0KFE	1	Hardware: Screw, GND
-	REX22RP	1	Hardware: Nut, Nylock M8 X 1.25 X 6MM Thick
-	REX2SYB	1	Seat Back Cover, Left

Seat Stop Components



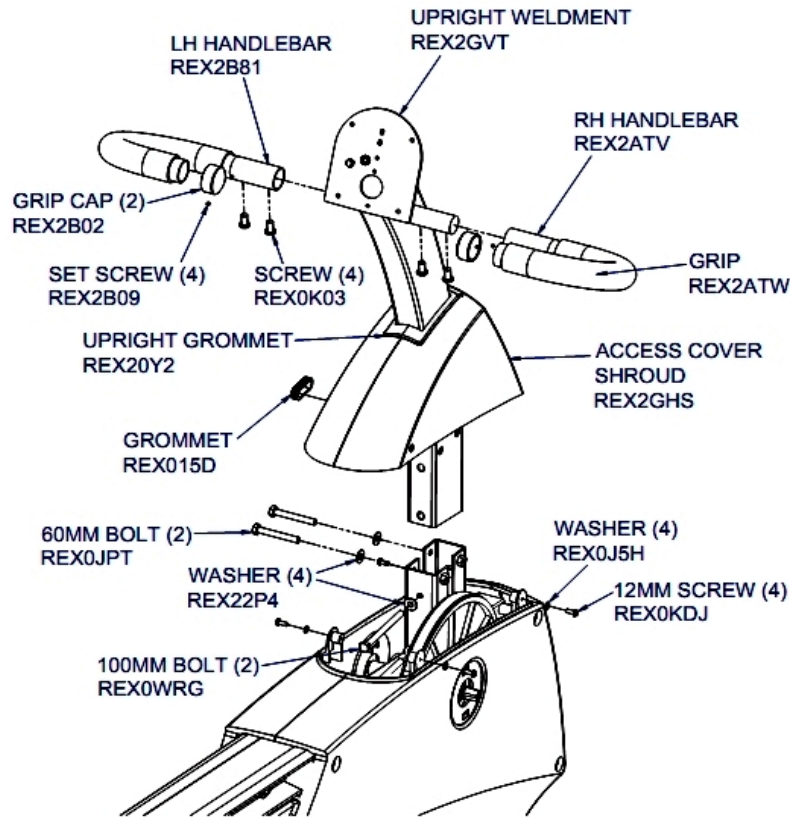
Ref #	Part Number	Qty	Description
-	REX0J5G	50	Hardware: Washer, 8MM ID X 18MM OD X 1.5MM
-	REX22B7	1	Hardware: Cap Screw, M8 X 1.25-40
-	REX20V0	1	Tension Plate
-	REX0J53	2	Hardware: Washer, Flat .8.4*24-2
-	REX20MD	1	Stop, Seat
-	REX20ME	1	Extrusion, Seat
-	REX0K56	2	Hardware: Screw, M5*.8-12MM CR RE Count HD
-	REX01VL	1	Bumper, Seat Front
-	REX01VM	1	Spacer, Tube SM
-	REX0K5E	3	Hardware: Screw, Seat Adj
-	REX0K0C	1	Hardware: Screw, M8*1.25-35 HEX SOC TRUSS
-	REX20UZ	1	Cord Clamp

Shroud and Hardware



Ref #	Part Number	Qty	Description
-	REX2ARH	2	Decal: Label, LifeFitness Logo
-	REX2AXA	1	Shroud, Main Left
-	REX0K4S	24	Hardware: Screw, PHI 5MM X 12MM
-	REX2AS3	1	Shroud, Main Right

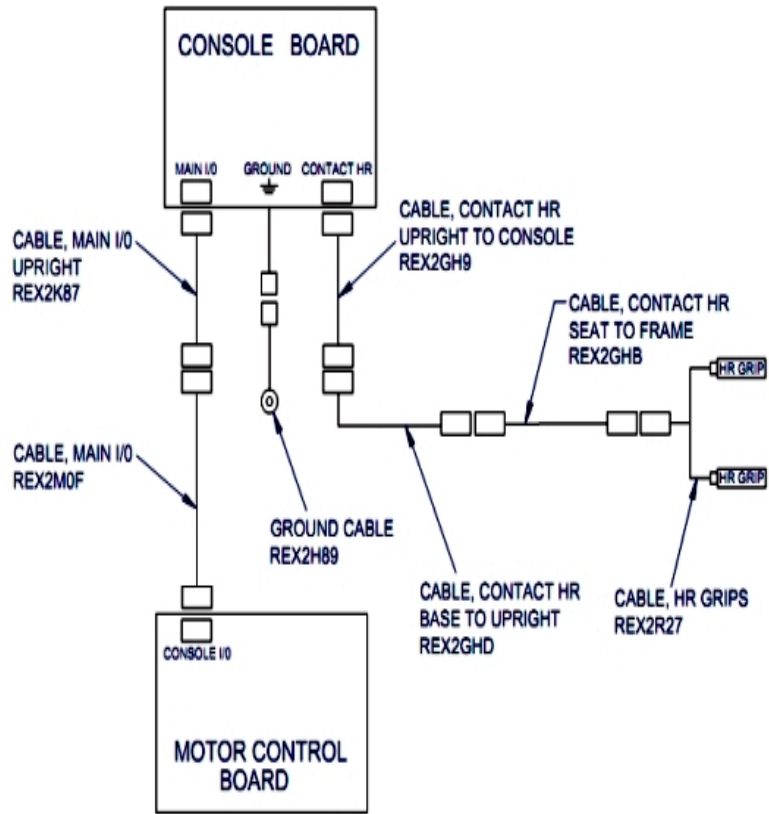
Upright and Bars



Ref #	Part Number	Qty	Description
-	REX2ATV	1	Handle, Bar Right
-	REX2B09	4	Hardware: M4 X .7 HXS NO CUP ST BO
-	REX0KFE	1	Hardware: Screw, GND
-	REX0JAG	1	Hardware: Washer, Lock Ext. Tooth BZ
-	REX0K03	4	Hardware: Screw, BSH
-	REX22RP	1	Hardware: Nut, Nylock M8 X 1.25 X 6MM Thick
-	REX0JPT	2	Hardware: Bolt, 8MM X 60MM
-	REX2GHS	1	Shroud, Access Cover
-	REX2B02	2	Cap, Grip
-	REX2SYC	1	Seat Back, Cover, Right
-	0017-00101-1621	1	Hardware: Phillips Screw 0.5"
-	REX015D	1	Grommet, Upright Oval
-	REX0J5H	4	Hardware: Washer, 6MM ID X 12MM OD
-	REX0KDJ	4	Hardware: Screw, PHI 5MM*.8 X 12MM
-	REX22P4	4	Hardware: Washer, 8MM ID X 18MM OD
-	REX2SYB	1	Seat Back Cover, Left
-	REX0WRG	2	Hardware: Bolt, 8MM X 100MM
-	REX2B81	1	Handle, Bar Left
-	REX2GVT	1	Weldment, Upright
-	REX20Y2	1	Grommet, Upright
-	REX2ATW	2	Grip
-	REX2RTU	1	Seat Back

Ref #	Part Number	Qty	Description
-	REX2RYR	1	Seat Cover, Mesh
-	REX0KDV	1	Hardware: Screw, M6 1.0-16

Wiring Diagram



Ref #	Part Number	Qty	Description
-	REX2GHD	1	E-Cable: Lead HR Wire Assembly with RJ11 Phone Jac
-	REX2M0F	1	Cable, Splicer
-	REX2GH9	1	Cable Assembly, Hand Pulse Harness To Console
-	REX2GHB	1	Hand Pulse Harness, Seat
-	REX2K87	1	Upper Console Cable, R3
-	REX2H89	1	Cable, Ground

