

# R3 Consumer Lifecycle Exercise Bike

R3-XX00-0104, R3-XX14-0104, R3-XX16-0104

## Parts Manual

11.09.15

# Table of Contents

---

Miscellaneous	2
Consoles	3
Pedals and Components	4
Upright and Bars	5
Seat and Upright Components	6
Seat and Handlebar Components	7
Shroud and Hardware	9
Seat Stop Components	10
Drive Components	11
Frame Components	12
Wiring Diagram	13

# Miscellaneous

---

## Serial Number Table

Item Number	SKU Revision	Starting Serial Number	Ending Serial Number
R3-XX00-0104	104		
R3-XX14-0104	104		
R3-XX16-0104	104		

## Hardware and Tool Kits

Item	SKU Revision	Part Number	Description
HT-001	104	REX2SWX	Tool Bag Kit Assembly
HT-002	104	REX34L9	Hardware - Assembly Kit Step 1
HT-003	104	REX2RYT	Hardware - Assembly Kit Step 2
HT-004	104	REX2TUV	Hardware - Assembly Kit Step 3
HT-005	104	REX3599	Hardware - Assembly Kit Step 4
HT-006	104	REX34LB	Hardware - Assembly Kit Step 5
HT-007	104	REX34LD	All R3 Hardware Kits (1-5)

## Transformer Part Numbers

Item	SKU Revision	Part Number	Description
TR-001	104	8974001	Assy, Transformer, 100-240V, 9V, 4A, DOM
"	104	8974101	Assy, Transformer, 100-240V, 9V, 4A, UK
"	104	8974201	Assy, Transformer, 100-240V, 9V, 4A, CONT
"	104	8974301	Assy, Transformer, 100-240V, 9V, 4A, AUST
"	104	8974401	Assy, Transformer, 100-240V, 9V, 4A, BR

# Consoles



CN-001



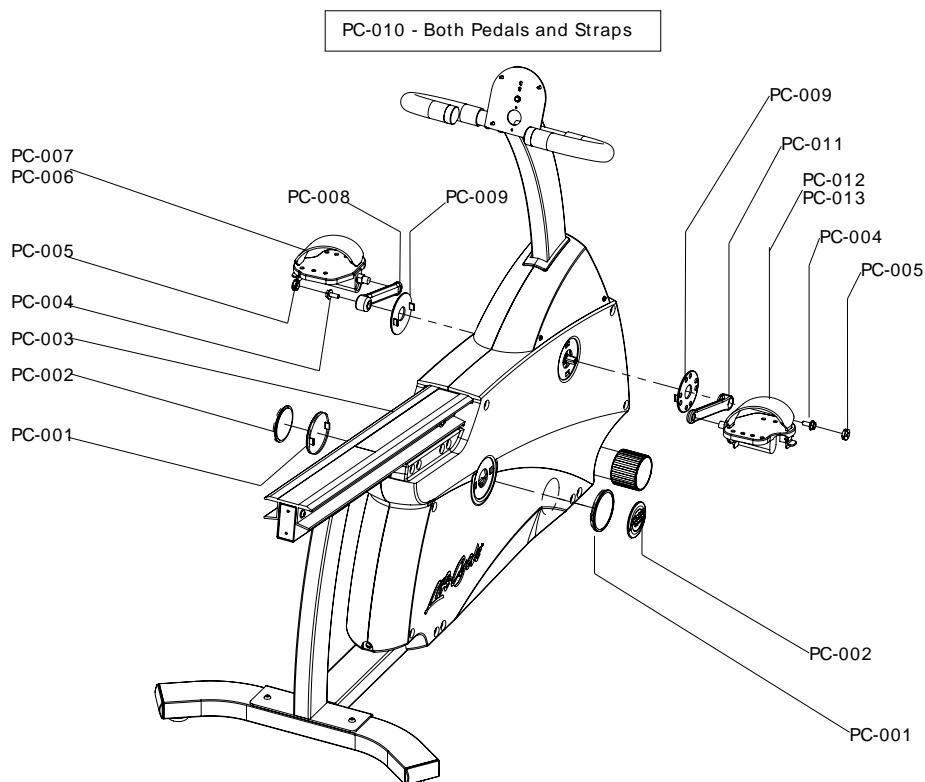
CN-002

## Console Part Numbers

Item	SKU Revision	Part Number	Description
CN-001	103	GC-000X-0104	GO CT/BIKE CONSOLE ENG/ENG+MET
"	103	GC-020X-0104	GO CT/BIKE CONSOLE GER/MET
"	103	GC-040X-0104	GO CT/BIKE CONSOLE SPN/MET
CN-002	103	TKC-000X-0104	TRACK CT/BIKE CONSOLE ENG/ENG+MET
"	103	TKC-020X-0104	TRACK CT/BIKE CONSOLE GER/MET

# Pedals and Components

## Exploded View

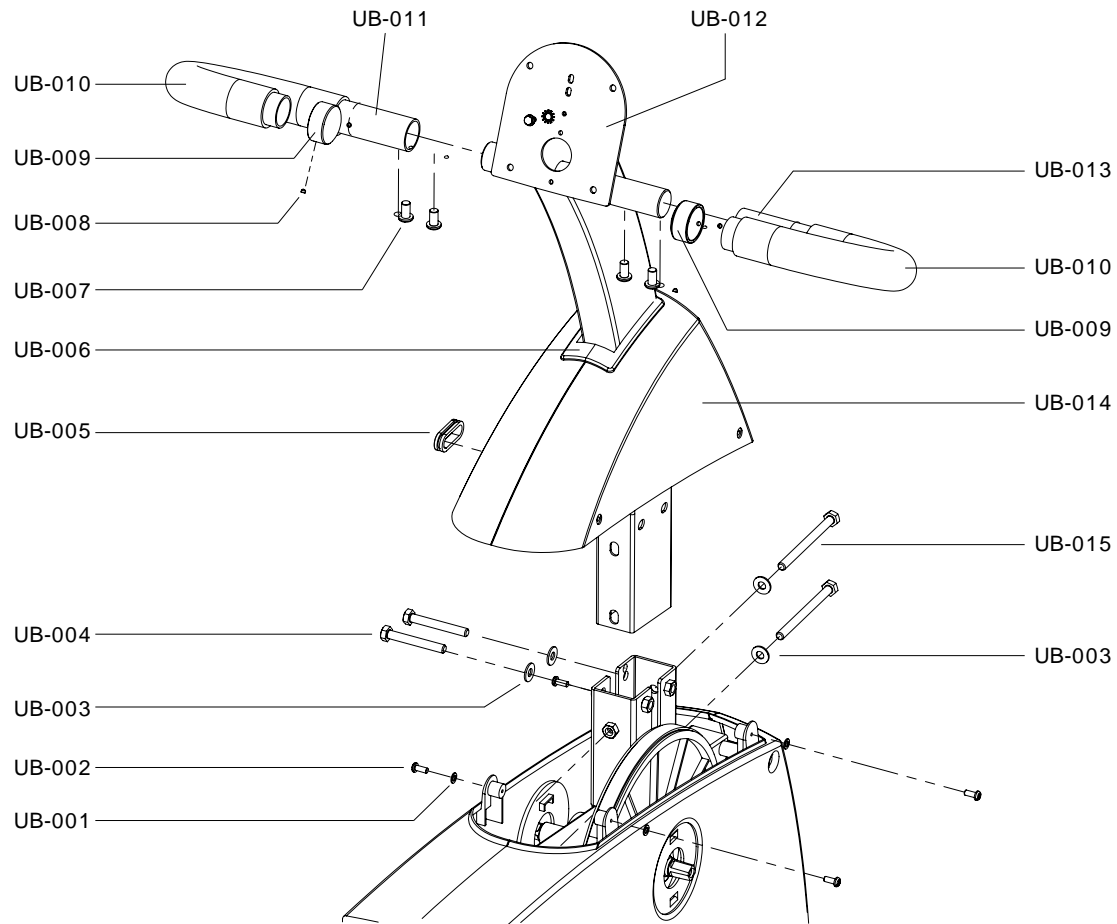


## Parts List

Item	SKU Revision	Part Number	Description
PC-001	104	REX34G4	Cover Plate (2)
PC-002	104	REX2GHQ	R3 Badge (2)
PC-003	104	REX2B8B	Label, Seat Position
PC-004	104	REX0JZM	Hex Screw (2)
PC-005	104	REX01A8	Crank Cap (2)
PC-006	104	REX2KHL	Left Pedal Strap
PC-007	104	REX21N2	Left Pedal, Self Balancing
PC-008	104	REX01A9	Left Crank Arm
PC-009	104	REX2C5E	Crank Cover (2)
PC-010	104	REX2B8J	Both Pedals and Straps
PC-011	104	REX01AA	Right Crank Arm
PC-012	104	REX21N1	Right Pedal, Self Balancing
PC-013	104	REX2KHM	Right Pedal Strap

# Upright and Bars

## Exploded View

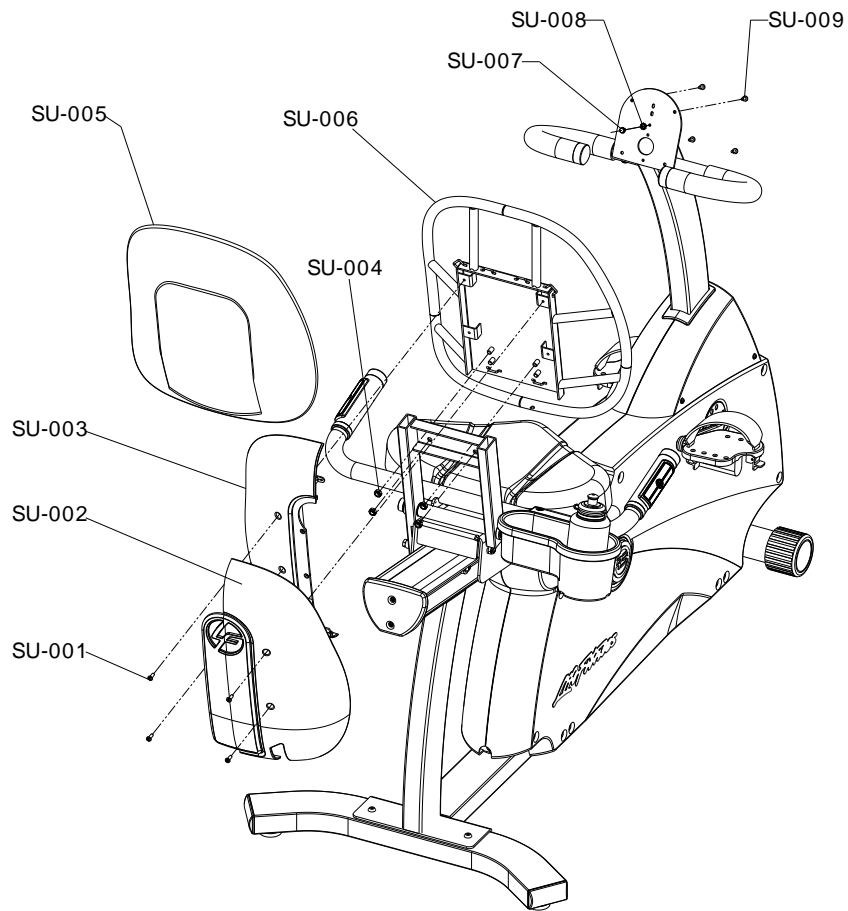


## Parts List

Item	SKU Revision	Part Number	Description
UB-001	104	REX0J5H	Washer, 6MM ID X 12MM OD (4)
UB-002	104	REX0KDJ	12MM Screw (4)
UB-003	104	REX22P4	Washer (2)
UB-004	104	REX0JPT	Bolt, 8MM X 60MM (2)
UB-005	104	REX015D	Grommet
UB-006	104	REX20Y2	Grommet, Upright
UB-007	104	REX355K	Screw, SHCS 8MM X 20MM CZ (4)
UB-008	104	REX2B09	M4 X .7 HXS No Cup St Bo (12)
UB-009	104	REX2B02	Cap, Grip (4)
UB-010	104	REX2ATW	Grip (2)
UB-011	104	REX347S	LH Handlebar
UB-012	104	REX347R	Upright Weldment
UB-013	104	REX347Q	RH Handlebar
UB-014	104	REX2GHS	Shroud, Access Cover
UB-015	104	REX0WRG	Bolt, 8MM X 100MM (2)

# Seat and Upright Components

## Exploded View

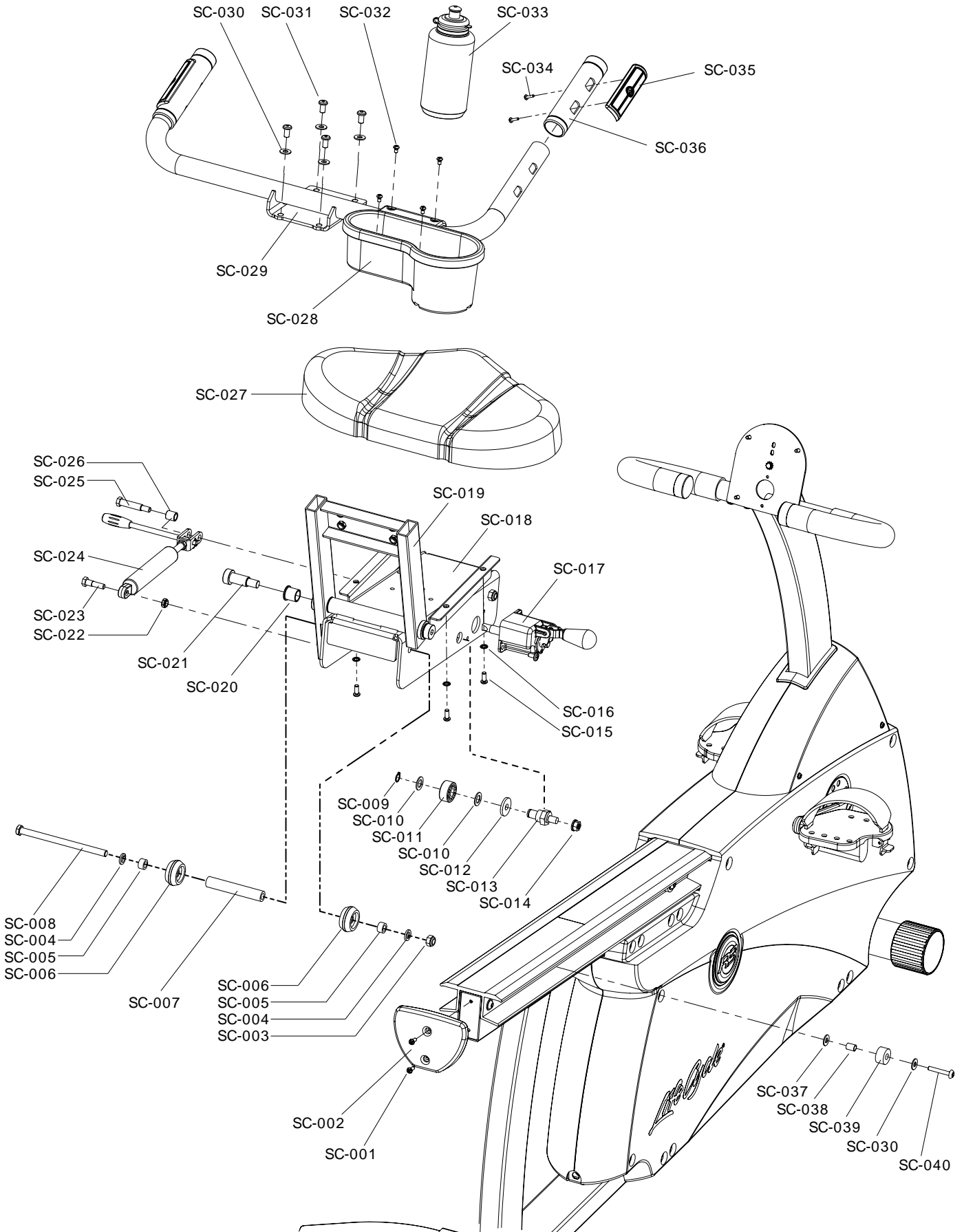


## Parts List

Item	SKU Revision	Part Number	Description
SU-001	104	REX0KDV	M6 Screw (8)
SU-002	104	REX348D	RT Seat Back
SU-003	104	REX2SYB	LT Seat Back
SU-004	104	REX0KQY	Nylock Nut (5)
SU-005	104	REX2RYR	Mesh Seat Cover
SU-006	104	REX348S	Seat Back
SU-007	104	REX0KFE	Pan Screw
SU-008	104	REX20JAG	Lock Washer
SU-009	104	REX0KCD	M5 Screw (4)

# Seat and Handlebar Components

## Exploded View

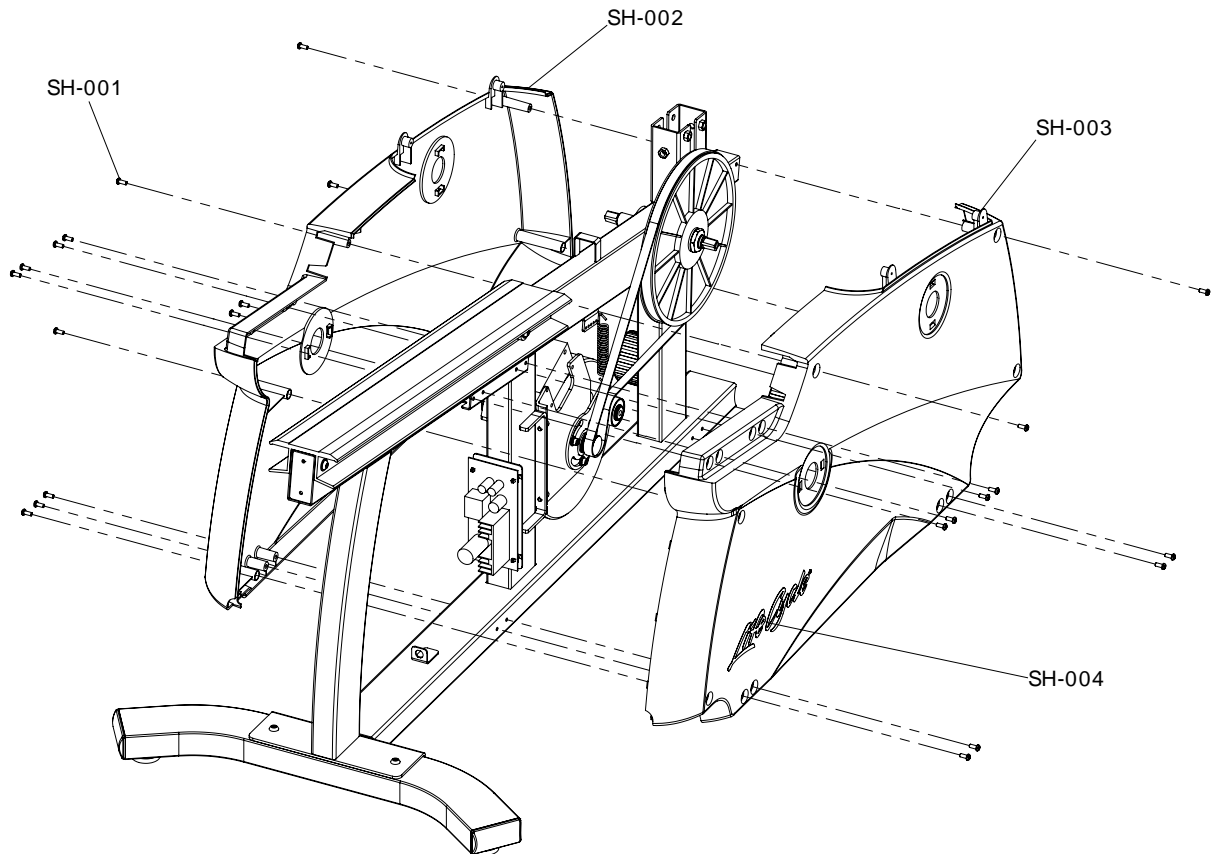


## Parts List

Item	SKU Revision	Part Number	Description
SC-001	104	REX355M	Screw
SC-002	104	REX348K	Seat Cap
SC-003	104	REX0KQZ	Locking Nut (2)
SC-004	104	REX0J93	Spring Washer (4)
SC-005	104	REX20Q0	Spacer (4)
SC-006	104	REX20Q1	Rolling Wheel (4)
SC-007	104	REX20Q2	Spacer
SC-008	104	REX20W1	Bolt
SC-009	104	REX20ZA	Ret. Ring (2)
SC-010	104	REX213C	Flat Washer (4)
SC-011	104	REX20PZ	Adjust Wheel (2)
SC-012	104	REX213E	Flat Washer (2)
SC-013	104	REX20PY	Tension Axle (2)
SC-014	104	REX20W0	M10 Hex Nut (2)
SC-015	104	REX0KDV	M6 Screw (4)
SC-016	104	REX0J95	Spring Washer (4)
SC-017	104	REX22LD	Seat Lock
SC-018	104	REX348T	Seat Weldment
SC-019	104	REX348R	Seat Support
SC-020	104	REX2RV9	Bearing (2)
SC-021	104	REX2RVC	Shoulder Bolt (2)
SC-022	104	REX0KQY	8mm x 13mm Hex Nut
SC-023	104	REX34ER	Shock Pin
SC-024	104	REX34DN	Shock
SC-025	104	REX34EQ	Front Shock Mount Pin
SC-026	104	REX34EN	Spacer
SC-027	104	REX2B8G	Seat
SC-028	104	REX348B	Cup Holder
SC-029	104	REX3GXC	Handlebar Weldment
SC-030	104	REX0J5G	Washer (2)
SC-031	104	REX355K	Screw
SC-032	104	REX0KDH	Screw
SC-033	104	REX2B96	Water Bottle
SC-034	104	REXDE08	Screw
SC-035	104	REX2RNF	Heart Rate Sensor (2)
SC-036	104	REX34RP	Grip (2)
SC-037	104	REX0J53	Washer
SC-038	104	REX21RA	Spacer
SC-039	104	REX21NY	Seat Stop
SC-040	104	REX22B7	Screw

# Shroud and Hardware

## Exploded View

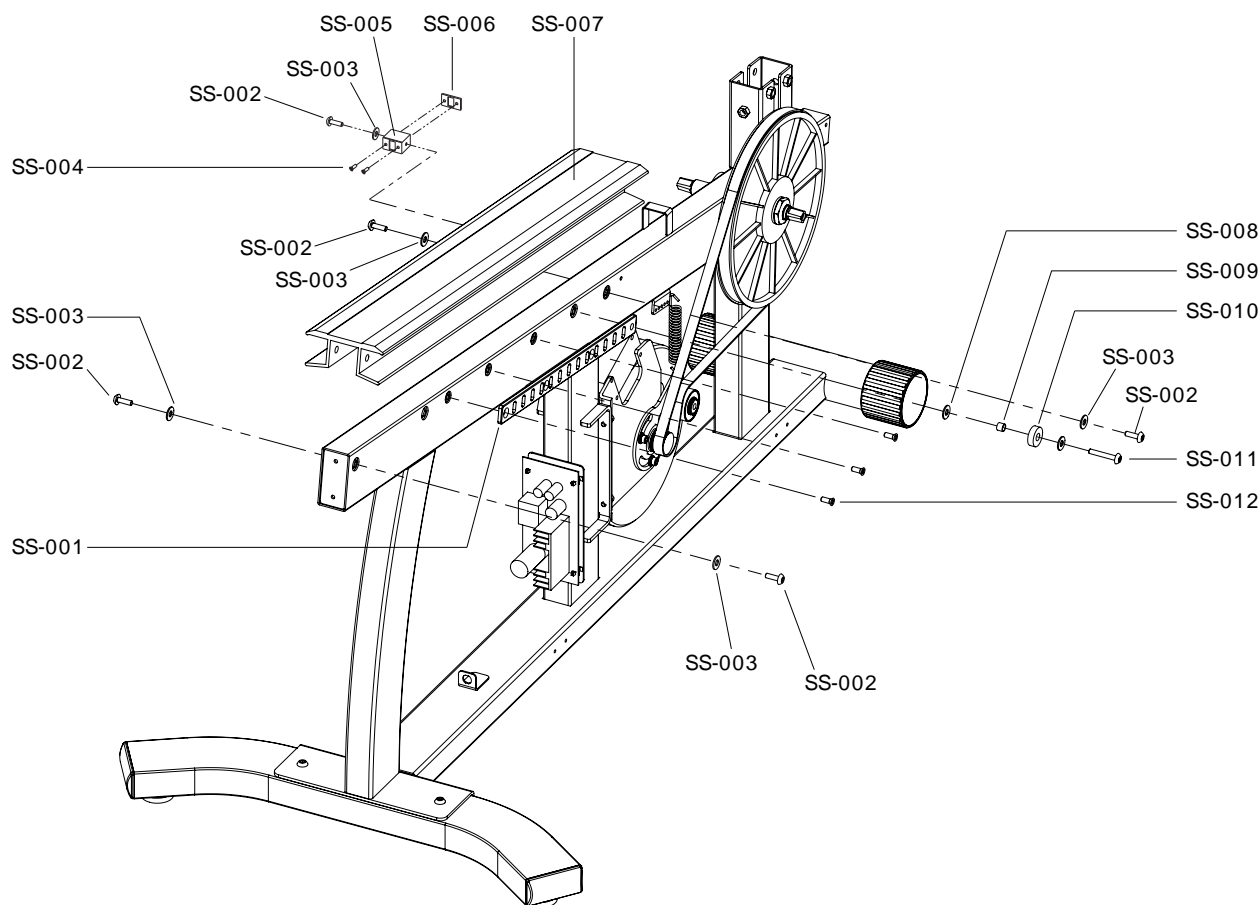


## Parts List

Item	SKU Revision	Part Number	Description
SH-001	104	REX0K4S	Phillips Screw (24)
SH-002	104	REX3488	Left Side Shroud
SH-003	104	REX3473	Right Side Shroud
SH-004	104	REX34FU	LF Label

# Seat Stop Components

## Exploded View

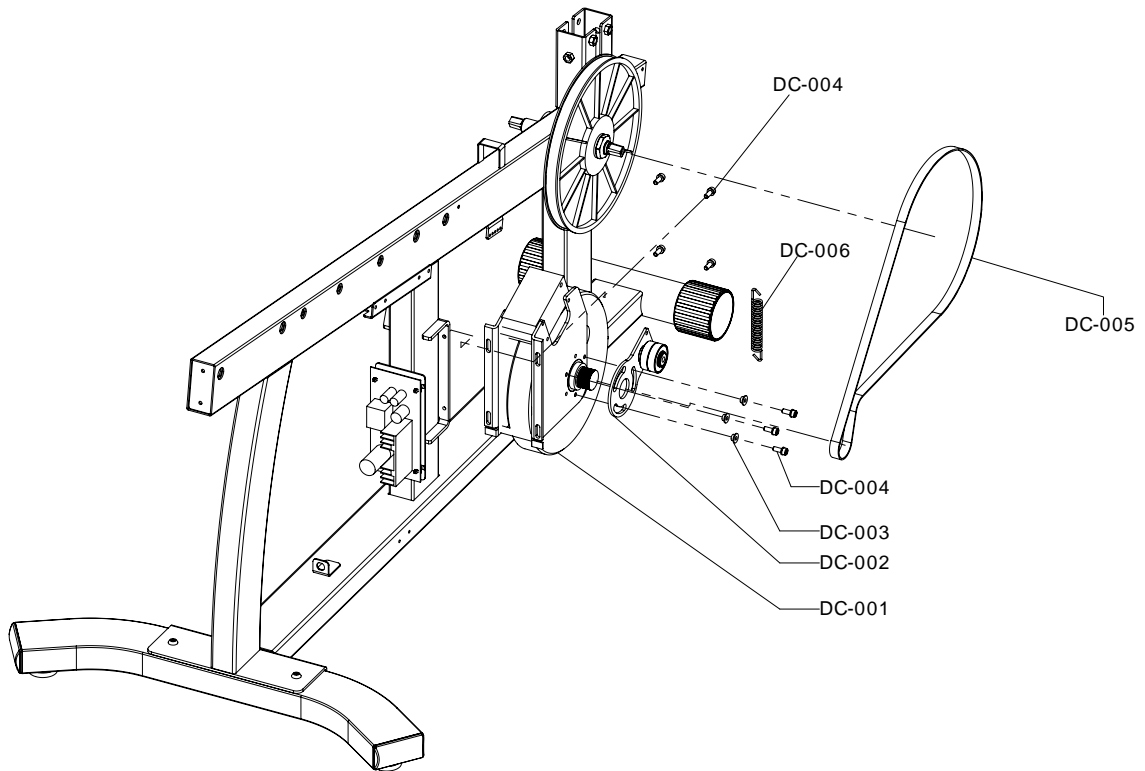


## Parts List

Item	SKU Revision	Part Number	Description
SS-001	104	REX20MD	Seat Stop
SS-002	104	REX22B7	Stop Bolt (4)
SS-003	104	REX0J5G	Washer (10)
SS-004	104	REX0K56	Screw (2)
SS-005	104	REX20UZ	Cord Clamp
SS-006	104	REX20V0	Tension Plate
SS-007	104	REX20ME	Seat Extrusion
SS-008	104	REX0J53	Washer (2)
SS-009	104	REX01VM	Spacer
SS-010	104	REX01VL	Bumper
SS-011	104	REX33MF	M8 Screw
SS-012	104	REX0K5E	Seat Adj. Screw (3)

# Drive Components

## Exploded View

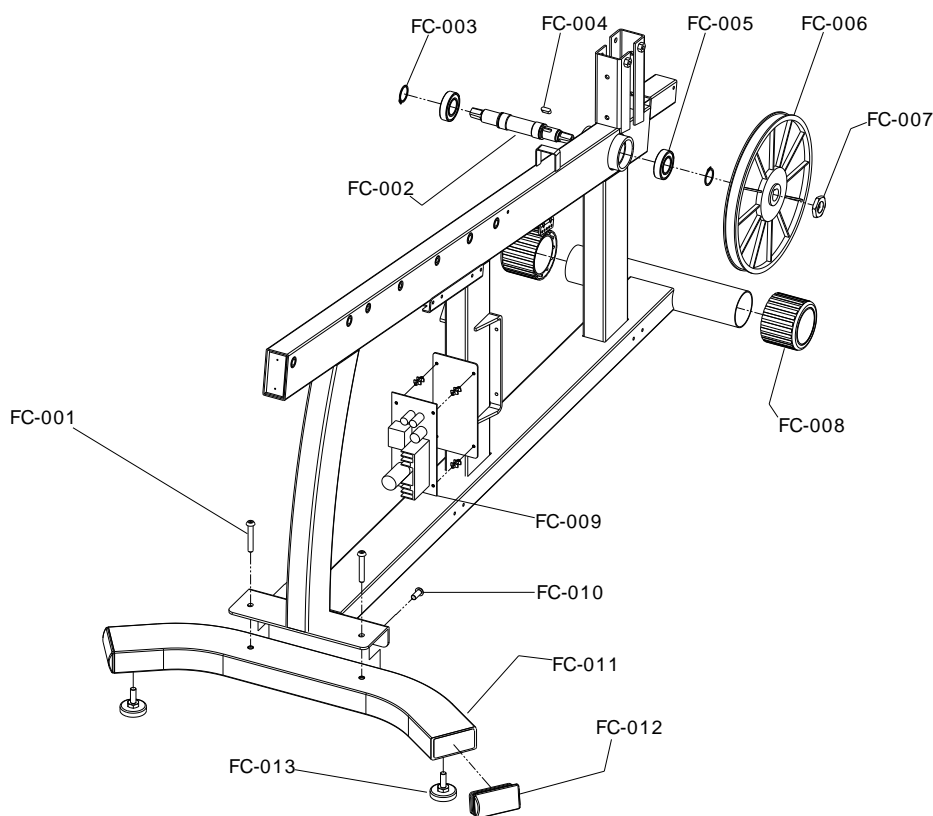


## Parts List

Item	SKU Revision	Part Number	Description
DC-001	104	REX21S8	Generator
DC-002	104	REX0RXQ	Belt Tensioner
DC-003	104	REX019S	Tensioner Spacer (3)
DC-004	104	REX0JZU	Brake Screw (7)
DC-005	104	REX20W2	Poly V-Belt
DC-006	104	REX01QU	Spring

# Frame Components

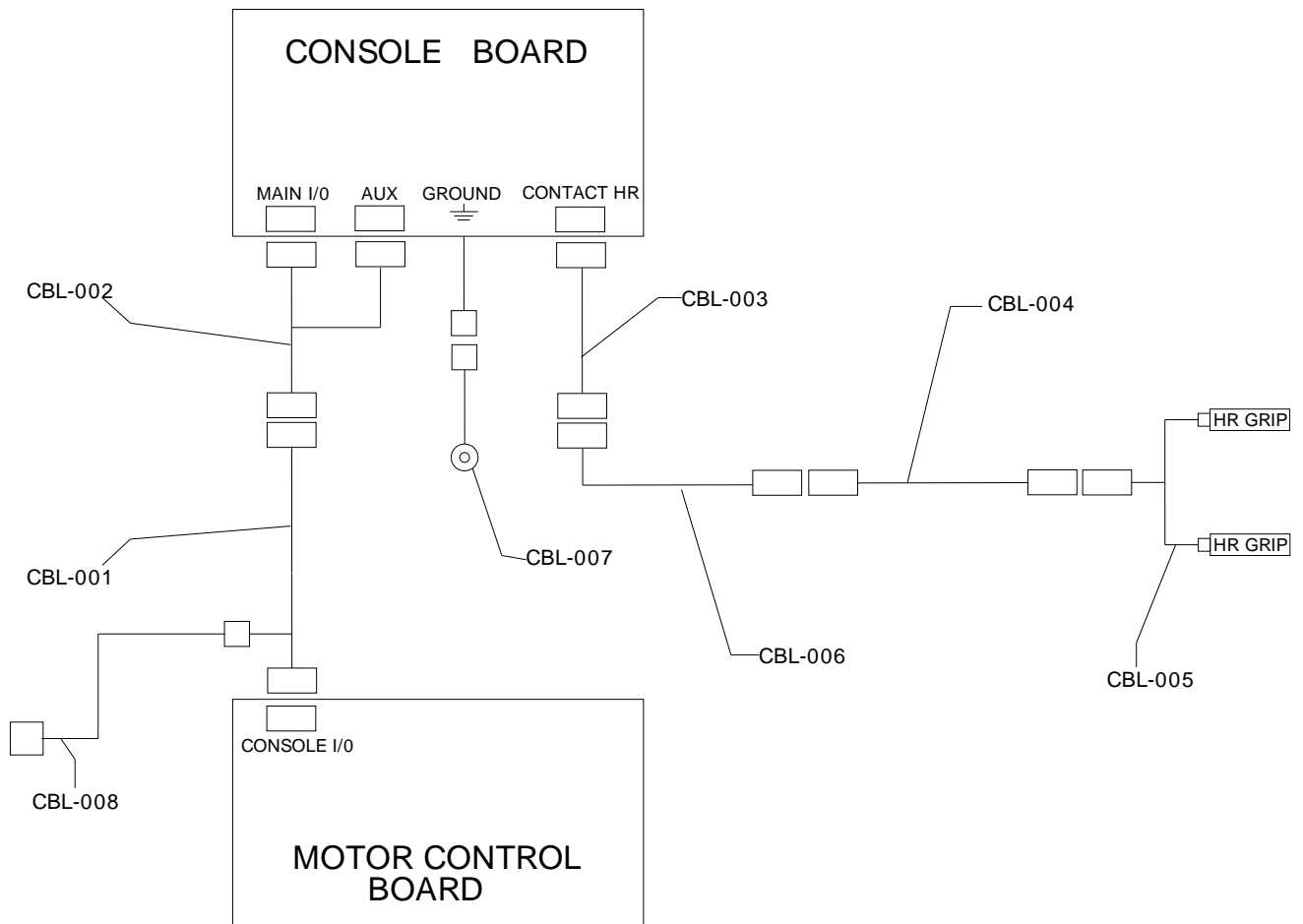
## Exploded View



## Parts List

Item	SKU Revision	Part Number	Description
FC-001	104	REX34FW	50MM Screw (2)
FC-002	104	REX20LB	Crank Shaft
FC-003	104	REX0JEJ	Ret. Ring (2)
FC-004	104	REX0JGM	Crank Key
FC-005	104	REX0HVQ	Bearing (2)
FC-006	104	REX20L2	Drive Pulley
FC-007	104	REX0KN5	Low Nut
FC-008	104	REX346W	Wheel Assembly (2)
FC-009	104	9107601	PCB, Generator Control, DCI (-XX14)
"	104	REX2M02	Board Circuit (-XX00 / -XX16)
FC-010	104	REX355M	20MM Screw (2)
FC-011	104	REX34LF	Rear Foot Assembly
FC-012	104	REX20N7	End Cap
FC-013	104	REX26LHC1	Leveler W/Nut

# Wiring Diagram



Item	SKU Revision	Part Number	Description
CBL-001	104	REX34CD	Cable, Main I/O
CBL-002	104	REX34CC	Cable, Main I/O Upright
CBL-003	104	REX2GH9	Cable, Contact HR Upright to Console
CBL-004	104	REX2GHB	Cable, Contact HR Seat to Frame
CBL-005	104	REX2GHC	Cable, HR Grips
CBL-006	104	REX2GHD	Cable, Contact HR Base to Upright
CBL-007	104	REX2R27	Ground Cable
CBL-008	104	REX2K86	Cable, Transformer