

# SCIFIT REX7000 Recumbent Elliptical

REX7000-INT

## Parts Manual

1/17/2019 12:29:51 PM



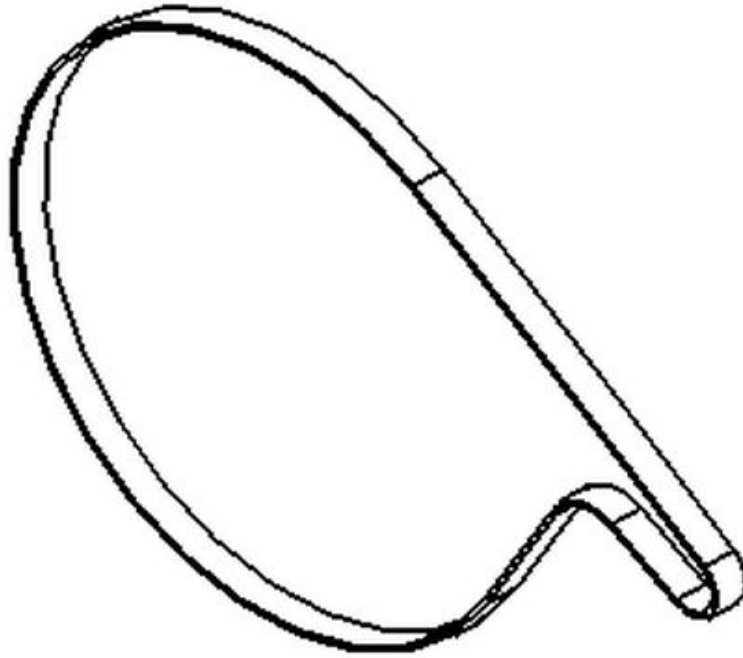
**Table of Contents**

---

<a href="#">Belt Pulley.....</a>	<a href="#">3</a>
<a href="#">Crank Assembly.....</a>	<a href="#">4</a>
<a href="#">Main Weldment Assembly.....</a>	<a href="#">5</a>
<a href="#">REX Connecting Link Assembly.....</a>	<a href="#">6</a>
<a href="#">REX Covers Assembly Charcoal.....</a>	<a href="#">7</a>
<a href="#">REX Handle Left Charcoal Assembly.....</a>	<a href="#">8</a>
<a href="#">REX Handle Right Charcoal Assembly.....</a>	<a href="#">9</a>
<a href="#">REX Idler Assembly.....</a>	<a href="#">10</a>
<a href="#">REX Seat, Fixed With Contact Heart Rate 990-000001 to 990-008160.....</a>	<a href="#">11</a>
<a href="#">REX Seat, Fixed W/O Contact Heart Rate 990-008476 to Current.....</a>	<a href="#">13</a>
<a href="#">REX Seat, Swivel, Roller Base Assembly - 990-008161 to 990-008475.....</a>	<a href="#">15</a>
<a href="#">REX Seat, Swivel, Weldment Assembly - 990-008161 to 990-008475.....</a>	<a href="#">17</a>
<a href="#">REX Telerail Bar Assembly.....</a>	<a href="#">18</a>
<a href="#">REX Telerail Left Assembly.....</a>	<a href="#">19</a>
<a href="#">REX Telerail Right Assembly.....</a>	<a href="#">20</a>
<a href="#">REX7000 Lower Board and Wires - Post 5-2013.....</a>	<a href="#">21</a>
<a href="#">REX7000 Lower Board and Wires - Pre 5-2013.....</a>	<a href="#">22</a>
<a href="#">Spindle, Pulley Drive Assembly.....</a>	<a href="#">23</a>
<a href="#">Top Rail Guide Assembly.....</a>	<a href="#">24</a>

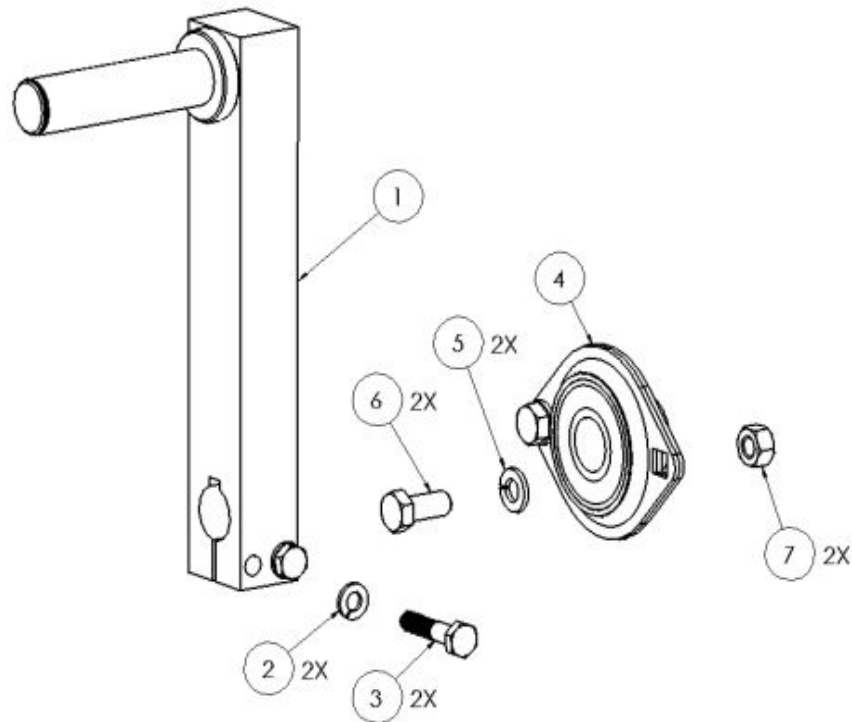
## Belt Pulley

---



Ref #	Part Number	Qty	Description
-	P3553	1	Belt Poly-V 8 Rib 49 IN

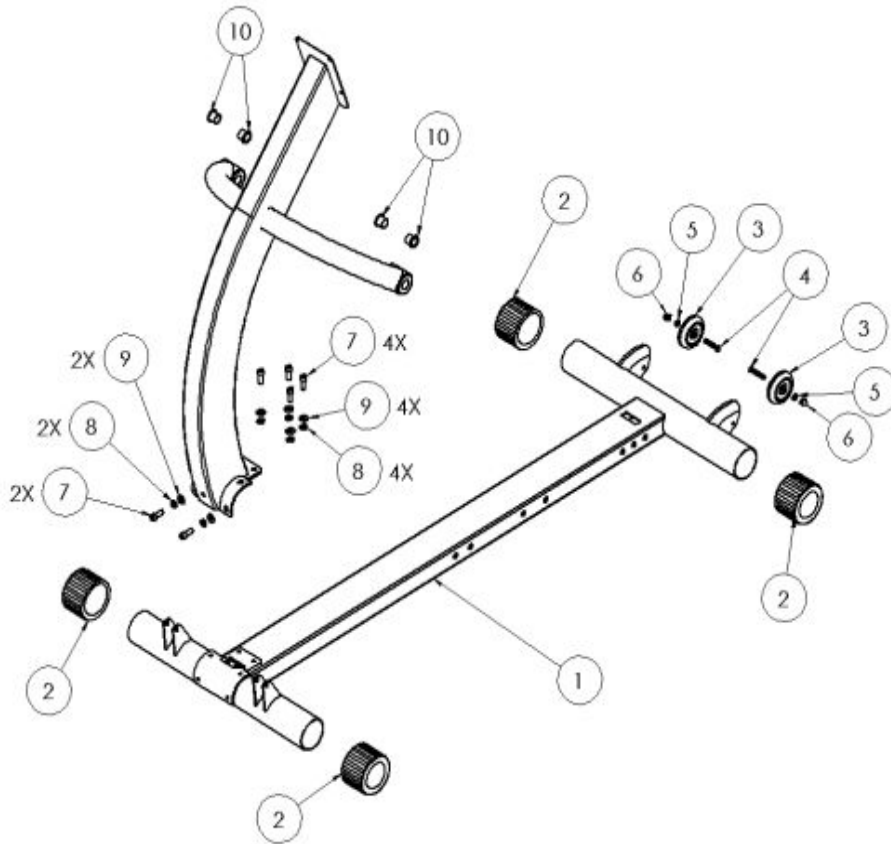
## Crank Assembly



2X SETS REQUIRED PER UNIT

Ref #	Part Number	Qty	Description
1	A4003	1	Crank Machined 152.4mm Assy.
2	10537-00961	2	1/4 Blk Xylan L/W
3	18757	2	1/4"-28 x 1-1/4" Yllw Zinc HCS
4	P1096	1	Bearing Spindle Drive SB204-12
5	33892	2	5/16" Yellow Zinc Split L/W
6	13052	2	5/16"-18 x 5/8" Zinc HCS
7	36104	2	5/16"-18 Zinc Hex Nut

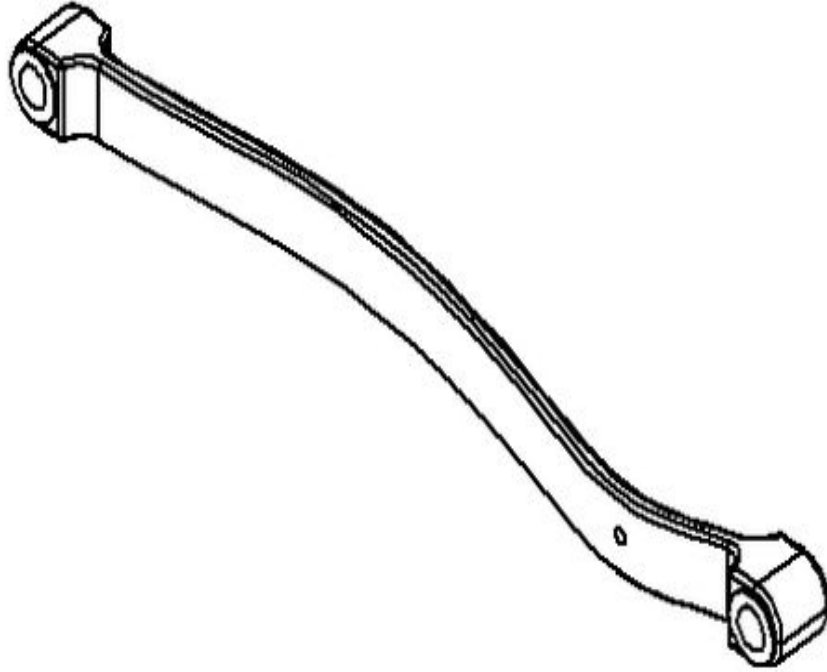
## Main Weldment Assembly



Ref #	Part Number	Qty	Description
1	B3407-CH	1	Frame Base Charcoal TeleRail REX
2	A1890	4	Cap Base 3" Adj. 65 Durometer
3	P2144	2	Wheel Front PRO II
4	73783	2	5/16"-18 x 1-3/4" Stnlss BSCS
5	33892	2	5/16" Yellow Zinc Split L/W
6	70961	2	5/16"-18 Stnlss Stl Acorn Nut
7	93305	6	3/8"-16 x 1" Zinc SCS
8	33893	6	3/8" Yllw Zinc Split L/W
9	33815	6	3/8" Yllw Zinc Hardened F/W
10	P1180	4	Brg Flanged Crank IGUS Ellipt

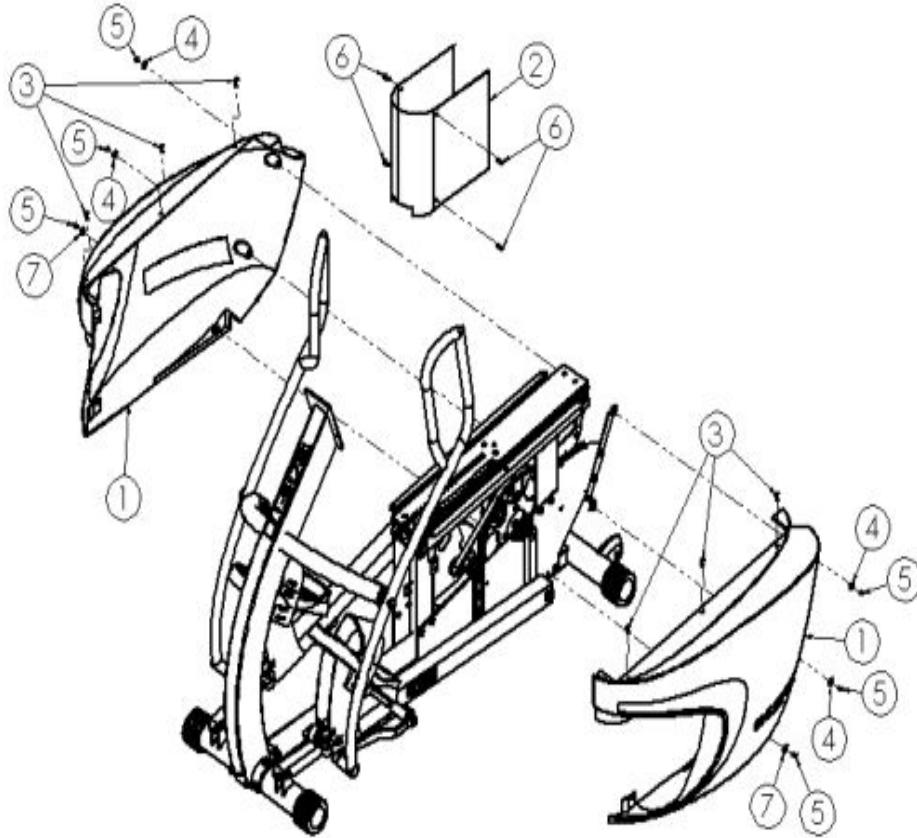
## REX Connecting Link Assembly

---



Ref #	Part Number	Qty	Description
-	S5396	1	KIT LINK W/IGUS SXT/REX

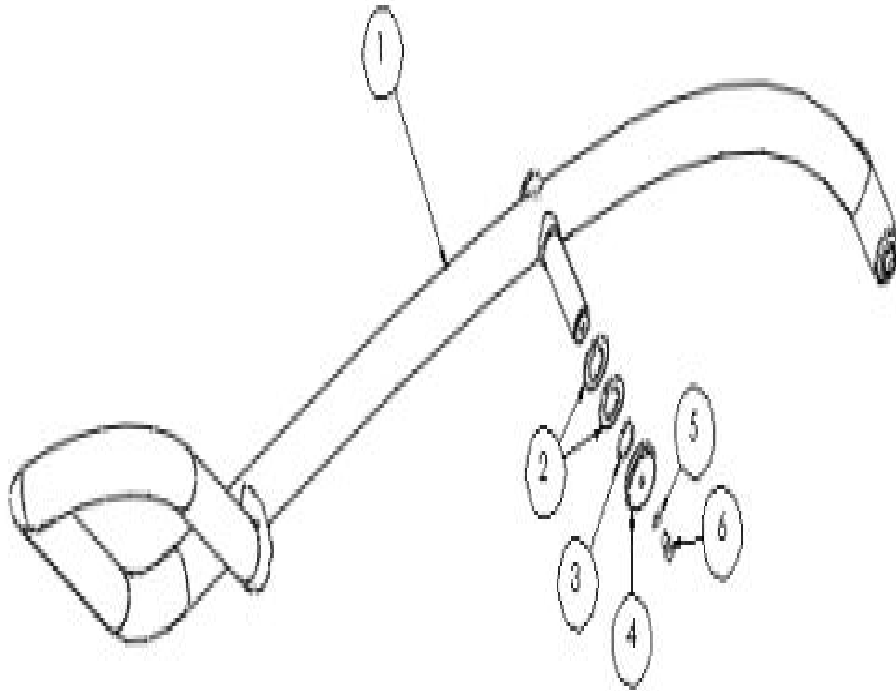
**REX Covers Assembly Charcoal**



Ref #	Part Number	Qty	Description
1	S5856	1	Kit Covers REX RH & LH
2	A4050	1	Enclosure Insert Center REX
3	24051	6	SCR:1/4"-20 x 3/4" Blk Oxide
4	P1921	4	Washer cover plastic
5	11252705	6	10-32 x 1/2 BLZ PPMS
6	94051	4	Screw Socket Button HD 10-32 x .75
7	40355	2	Washer Flat M6 Zinc

## REX Handle Left Charcoal Assembly

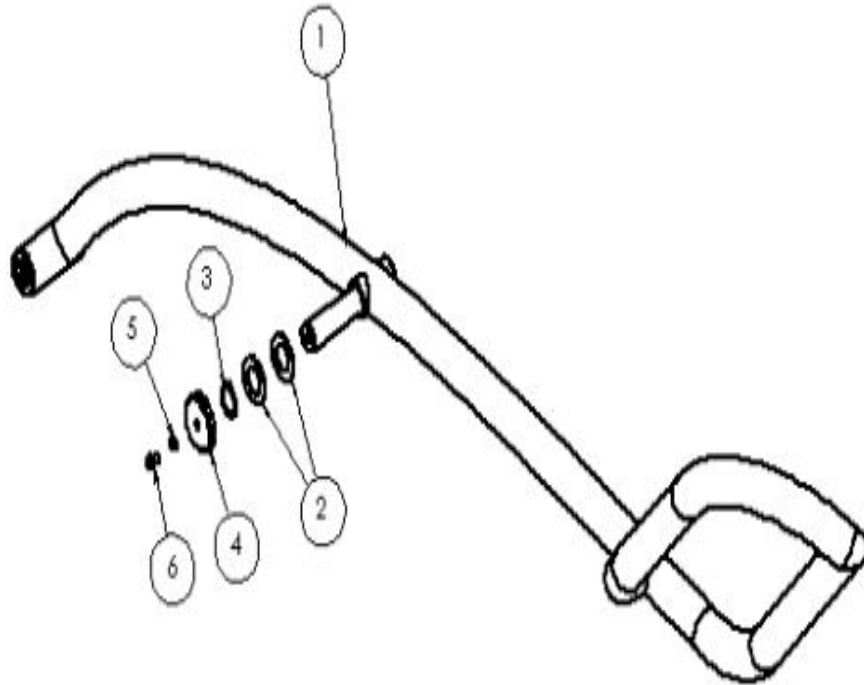
---



Ref #	Part Number	Qty	Description
1	S6058	1	Kit, HNDL, LH, REX, Charcoal
2	P1179	2	Brg. Thrust Rail IGUS
3	68015	1	NLA: SNAP RING .704 ID X .046 THK
4	A3541	1	Cover Pivot Skipole
5	10537-04093	1	WASHER SPLIT LOCK #10
6	11253079	1	#10-32 x .375 Phillips Pan Machine Screw Black

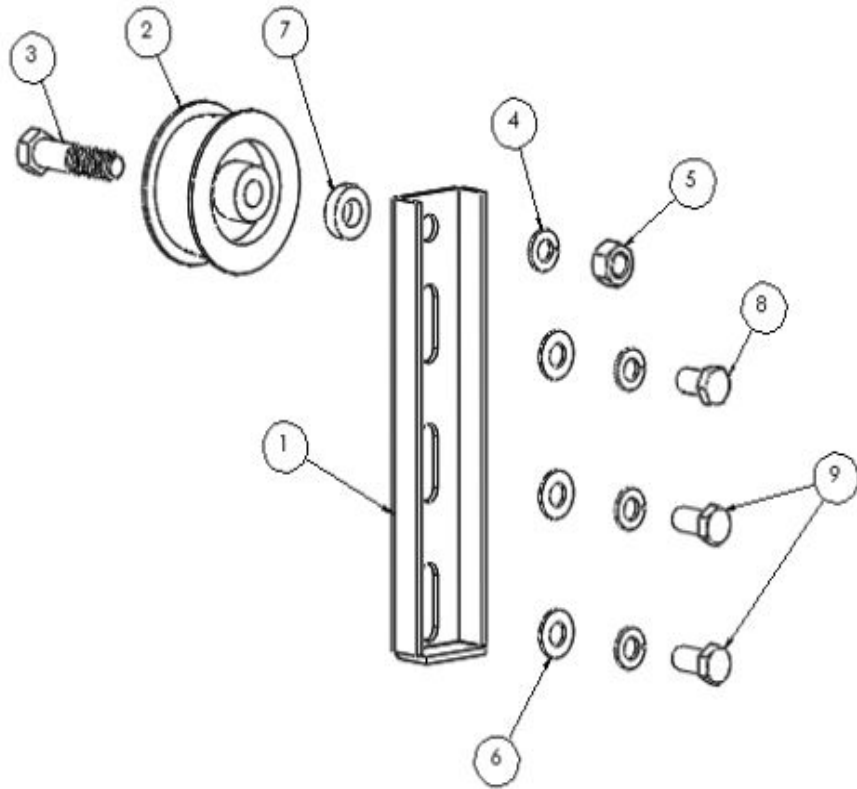
## REX Handle Right Charcoal Assembly

---



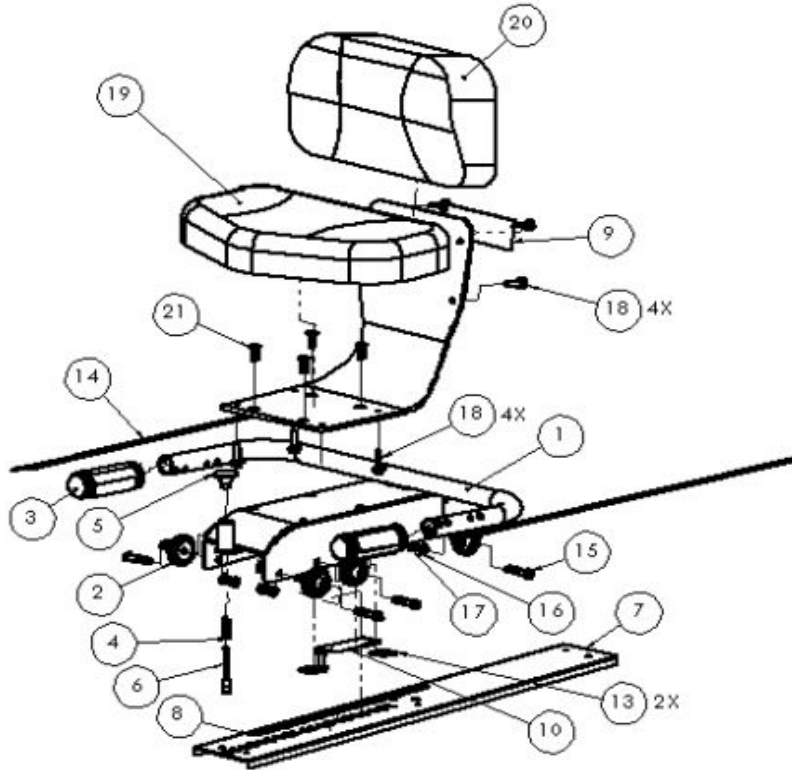
Ref #	Part Number	Qty	Description
1	S6057	1	Kit, HNDL, RH, REX, Charcoal
2	P1179	2	Brg. Thrust Rail IGUS
3	68015	1	NLA: SNAP RING .704 ID X .046 THK
4	A3541	1	Cover Pivot Skipole
5	10537-04093	1	WASHER SPLIT LOCK #10
6	11253079	1	#10-32 x .375 Phillips Pan Machine Screw Black

## REX Idler Assembly



Ref #	Part Number	Qty	Description
1	A4016	1	Bracket Idler REX
2	P1091	1	Idler Ellipt Recumbent
3	13110	1	3/8"-16 x 1-3/4" Zinc HCS
4	33892	4	5/16" Yellow Zinc Split L/W
5	36106	1	3/8"-16 Zinc Hex Nut
6	33080	3	5/16" Zinc F/W
7	0185759	1	KIT:3/4x3/8x1/4 Chrome Spacer
8	13052	1	5/16"-18 x 5/8" Zinc HCS
9	13053	2	5/16"-18 x 3/4" Zinc HCS

**REX Seat, Fixed With Contact Heart Rate**  
**990-000001 to 990-008160**

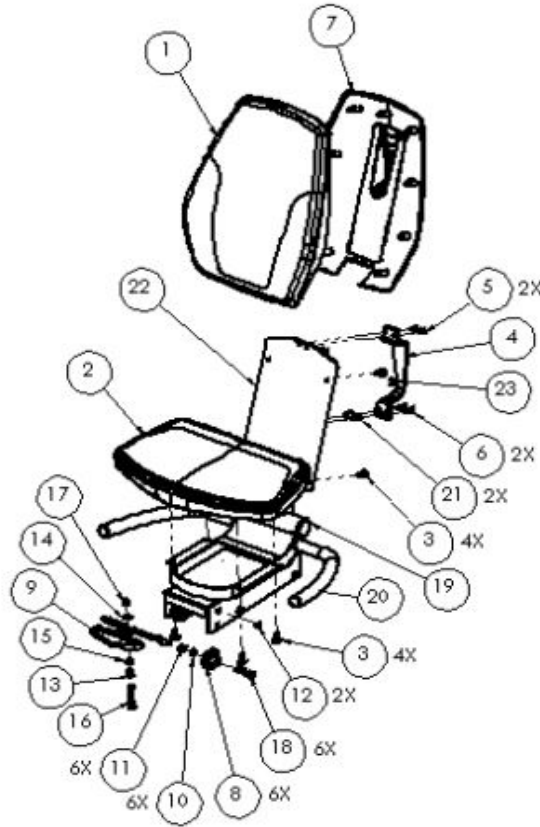


ENTIRE SEAT ASSEMBLY NOT AVAILABLE  
REPLACED BY A6674

Ref #	Part Number	Qty	Description
1	A3787	1	Carriage Seat Assy w/Handlebar
2	P3398	6	Roller 2" Dia. 0.60" Wide
3	P2746	1	Grip HR Contact 1.5ID (1pr)
4	P1423	1	Spring Pin Seat Extended P
5	P3641	1	(EOL) Knob Pull 5/16-18 Seat A
6	A2474	1	Pin Seat Assembly
7	A3786	1	Track adjust seat REX univers
8	P1983	1	Decal Number .75" Spacing 1-20
9	P3438	1	NLA: Decal Logo TeleRail REX
10	P3490	1	PCB CHR 5379 Polar
11	P2754	25	Velcro Backing Hook 1"
12	P2755	25	Velcro Backing Loop 1"
13	P1965	2	Mount Cable Tie Adhesive Back
14	P2779	2	Cable CHR HG 2177 30"
15	13110	6	3/8"-16 x 1-3/4" Zinc HCS
16	33893	6	3/8" Yllw Zinc Split LW
17	36106	6	3/8"-16 Zinc Hex Nut
18	19919	8	BOLT 5/16-18 x 1.25 SERRATED HEX
19	P4434	1	Pad Seat Bottom V2
20	P4435	1	PAD SUPPORT LOW BACK V2

<b>Ref #</b>	<b>Part Number</b>	<b>Qty</b>	<b>Description</b>
21	94256	4	5/16"-18 x 1" Zinc SCS

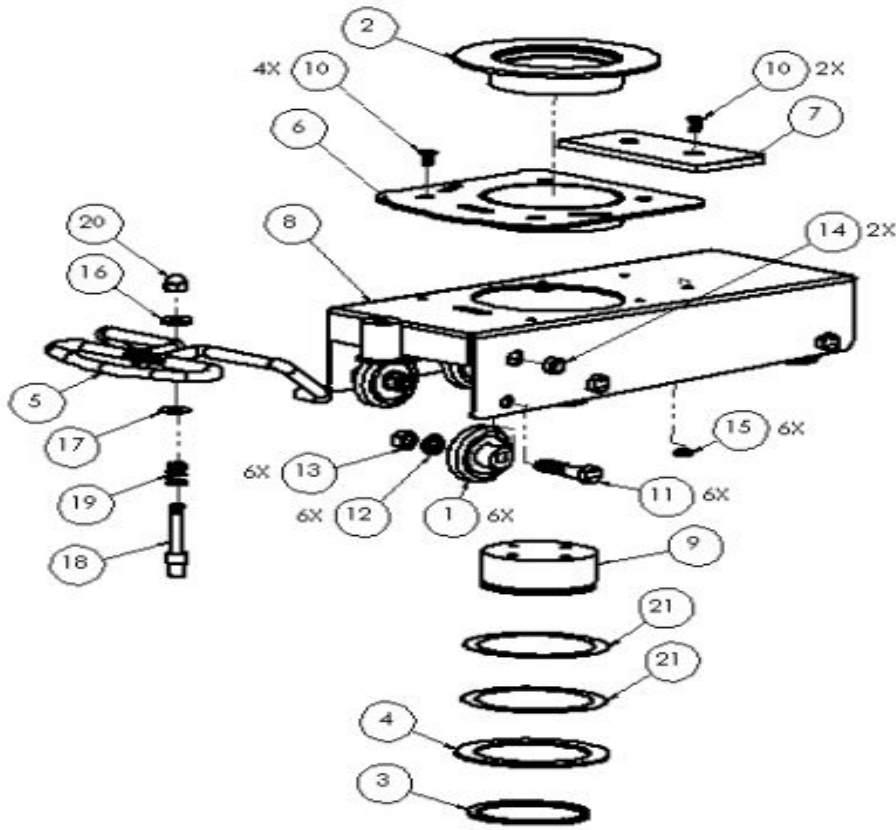
**REX Seat, Fixed W/O Contact Heart Rate  
990-008476 to Current**



Ref #	Part Number	Qty	Description
1	A5769	1	Assy Seat Back Seat System
2	A5768	1	Assy Seat Bttm Comfort Upscale
3	19653	8	5/16"-18 x 3/4" Flange head hex cap
4	A5844	1	HANDLE BACK SEAT SYSTEM
5	13050	2	Screw 5/16-18x3/8 Zinc Hex Cap
6	94256	2	5/16"-18 x 1" Zinc SCS
7	S6387	1	Kit Seat Back Cover NSS
8	P3398	6	Roller 2" Dia. 0.60" Wide
9	A4662	1	HANDLE SEAT ADJ REX
10	33893	6	3/8" Yllw Zinc Split LW
11	36106	6	3/8"-16 Zinc Hex Nut
12	P4731	2	Bushing Seat Adjustment REX
13	P6365	1	Spring, REX Seat Pin, V2
14	P4663	1	AXIAL BEARING REX
15	11103107	1	0.38"ID x 0.812"OD x 0.031" FW
16	A5739	1	Pin Seatbase Seat System
17	70961	1	5/16"-18 Stnlss Stl Acorn Nut
18	13110	6	3/8"-16 x 1-3/4" Zinc HCS
19	P5811	2	Plug, Bariatric, Tube,50mm O.D
20	A5836	2	KIT:Grip,Handlebar,15.5",Seat Assy

Ref #	Part Number	Qty	Description
21	0125621	2	RVT:5/16-18 .027-.150 Nutsert
22	A6671	1	KIT:WLDMNT, SEAT, FIXED< REX
23	10537-10723	1	KIT:BINDING POST, 3/8" BLK ANOD ALUMINUM
-	A6674	1	Assy, Seat, Fixed, REX,7000

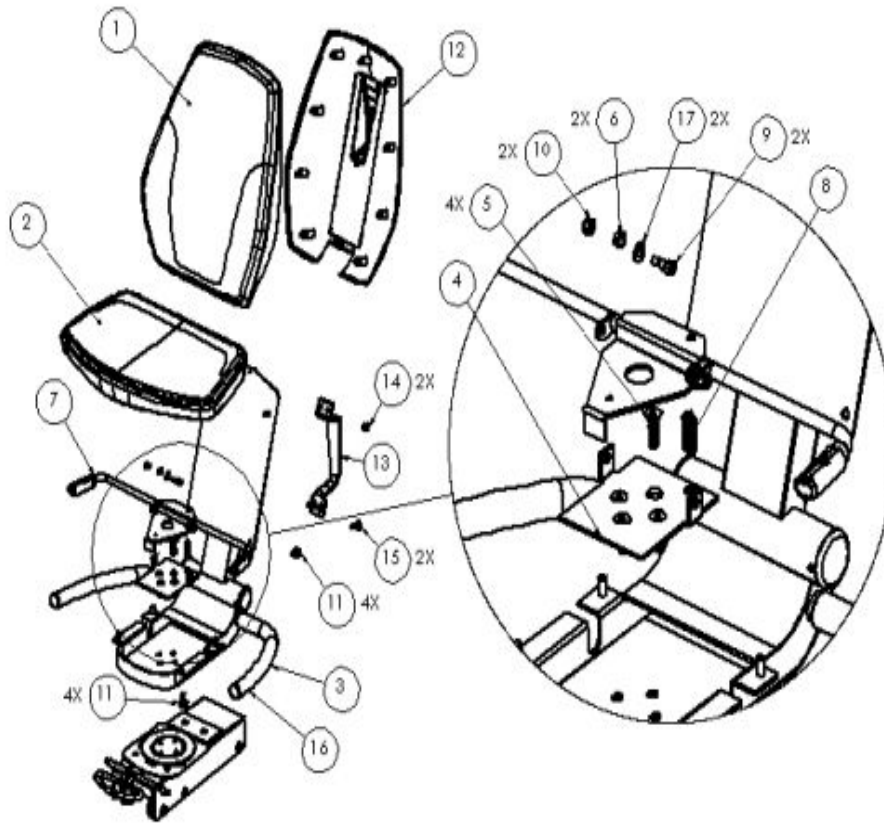
**REX Seat, Swivel, Roller Base Assembly -  
990-008161 to 990-008475**



Ref #	Part Number	Qty	Description
1	P3398	6	Roller 2" Dia. 0.60" Wide
2	A6512	1	Thrust Bearing, REX, Swivel
3	10537-09174	1	3" External Retaining Ring
4	A6319	1	Washer,Thrust,Swivel,REX,NSS
5	A4662	1	HANDLE SEAT ADJ REX
6	A6318	1	WLDMNT,Swivel,Indexing,REX,NSS
7	A6379	1	Block,Stabilizing,REX,NSS
8	A6381	1	Assy,Carriage,REX,NSS
9	A6316	1	Swivel Post, Seat, REX, NSS
10	1124199	6	Screw,10-24x1/2,Black,Flat Soc
11	13110	6	3/8"-16 x 1-3/4" Zinc HCS
12	33893	6	3/8" Yllw Zinc Split LW
13	36106	6	3/8"-16 Zinc Hex Nut
14	P4731	2	Bushing Seat Adjustment REX
15	37175	6	#10-24 Zinc Nylock Nut
16	P4663	1	AXIAL BEARING REX
17	11103107	1	0.38"ID x 0.812"OD x 0.031" FW
18	A5739	1	Pin Seatbase Seat System
19	P6365	1	Spring, REX Seat Pin, V2
20	70961	1	5/16"-18 Stnlss Stl Acorn Nut

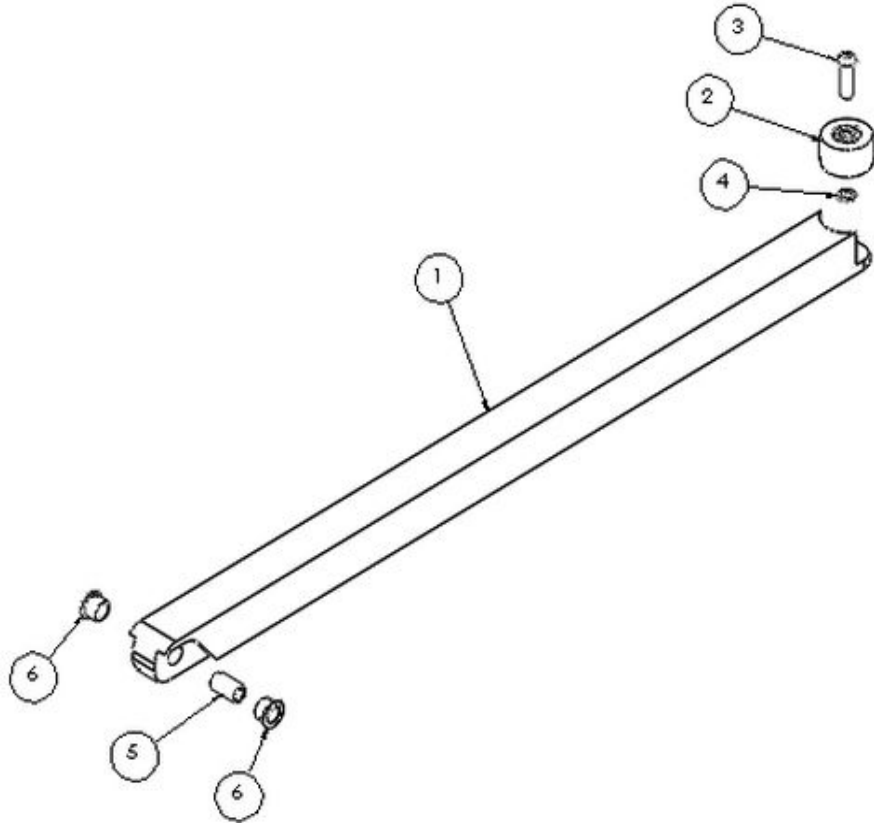
<b>Ref #</b>	<b>Part Number</b>	<b>Qty</b>	<b>Description</b>
21	A6367	2	Washer Shim, .005" THK, 3.049
-	A6382	1	Kit Seat Assy REX No CHR V3

**REX Seat, Swivel, Weldment Assembly -  
990-008161 to 990-008475**



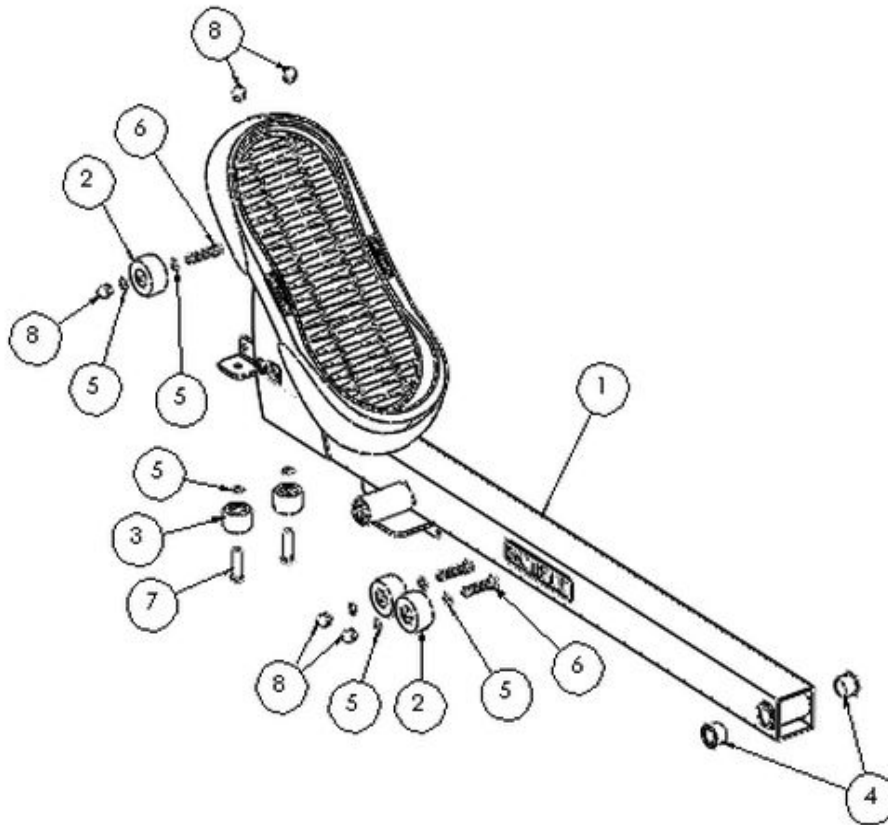
Ref #	Part Number	Qty	Description
1	A5769	1	Assy Seat Back Seat System
2	A5768	1	Assy Seat Bttm Comfort Upscale
3	S6443	1	Kit, Seat Weldment, REX,, NSS
4	A6315	1	BRKT,Swivel Lever,Seat,REX,NSS
5	1124257	4	Screw,5/16x1 1/4,Black,Flat So
6	P5730	2	IGUS MFI-0506-04
7	A5823	1	Assy Swivel Handle W/ Grips
8	A5805	1	Spring, Seatbase, Upscale
9	26190	2	5/16" SHLDR x 5/16" x 1/4"-20 THRD STEEL SHLDR SCREW
10	37018	2	NUT NYLOCK 1/4-20 ZINC
11	19653	8	5/16"-18 x 3/4" Flange head hex cap
12	S6387	1	Kit Seat Back Cover NSS
13	A5844	1	HANDLE BACK SEAT SYSTEM
14	13050	2	Screw 5/16-18x3/8 Zinc Hex Cap
15	94256	2	5/16"-18 x 1" Zinc SCS
16	S6392	1	Kit Grips Handlbar NSS
17	40357	2	M8 Zinc F/W

## REX Telerail Bar Assembly



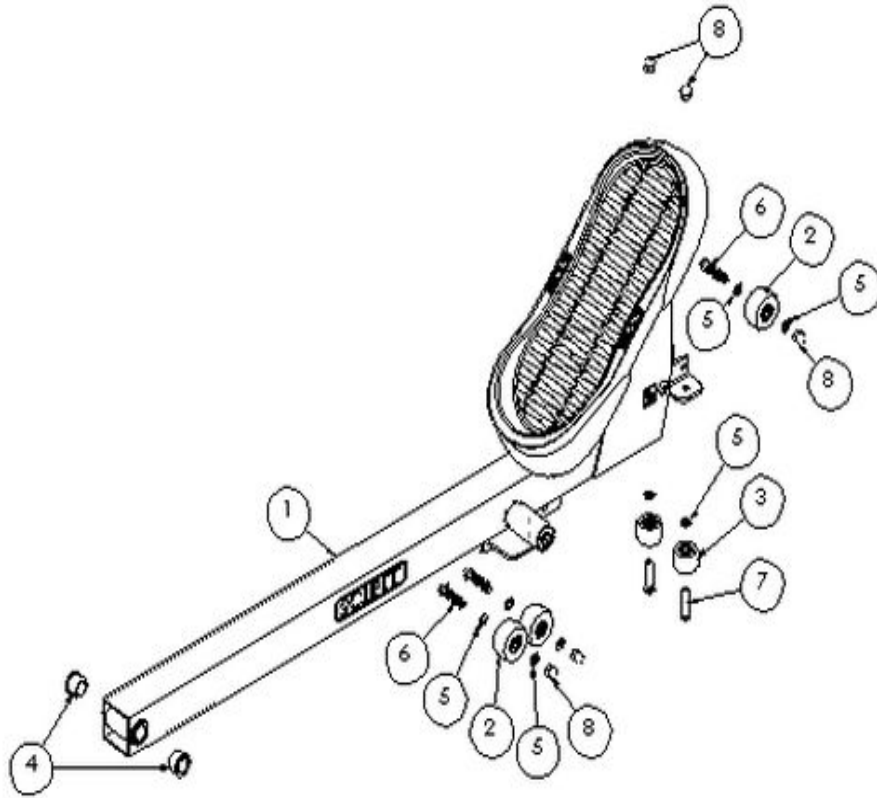
Ref #	Part Number	Qty	Description
1	A1524	1	Bar Rear TeleRail
2	A2447	1	Kit Roller TeleRail Internal
3	94072	1	5/16"-18 x 1-1/4" Zinc BSCS
4	10537-02284	1	5/16 NAS F/W
5	A1533	1	Bushing Pivot TeleRail
6	P1561	2	Brng flnged IGUS TeleRail

## REX Telerail Left Assembly



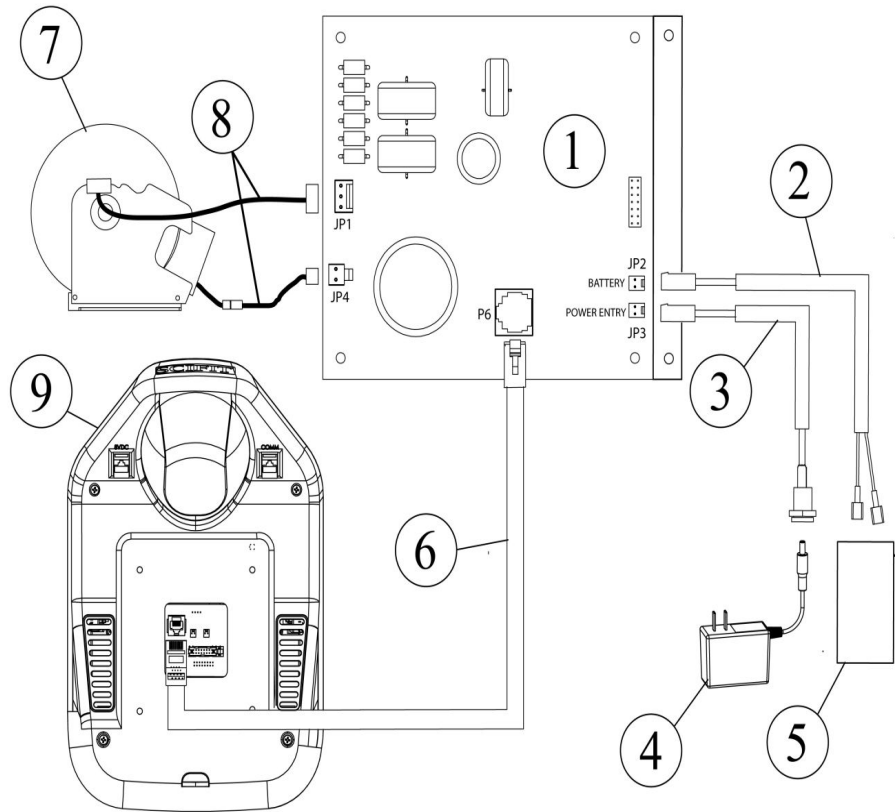
Ref #	Part Number	Qty	Description
1	S4495	1	KIT TELERAIL LH REX BOLT ON
2	S1910	3	Kit Roller TeleRail Vertical
3	A2448	2	Kit Roller TeleRail Lateral
4	P1180	2	Brg Flanged Crank IGUS Ellipt
5	10537-02284	8	5/16 NAS F/W
6	73783	3	5/16"-18 x 1-3/4" Stnlss BSCS
7	94073	2	5/16"-18 x 1-1/2" Zinc BSCS
8	70961	5	5/16"-18 Stnlss Stl Acorn Nut

## REX Telerail Right Assembly



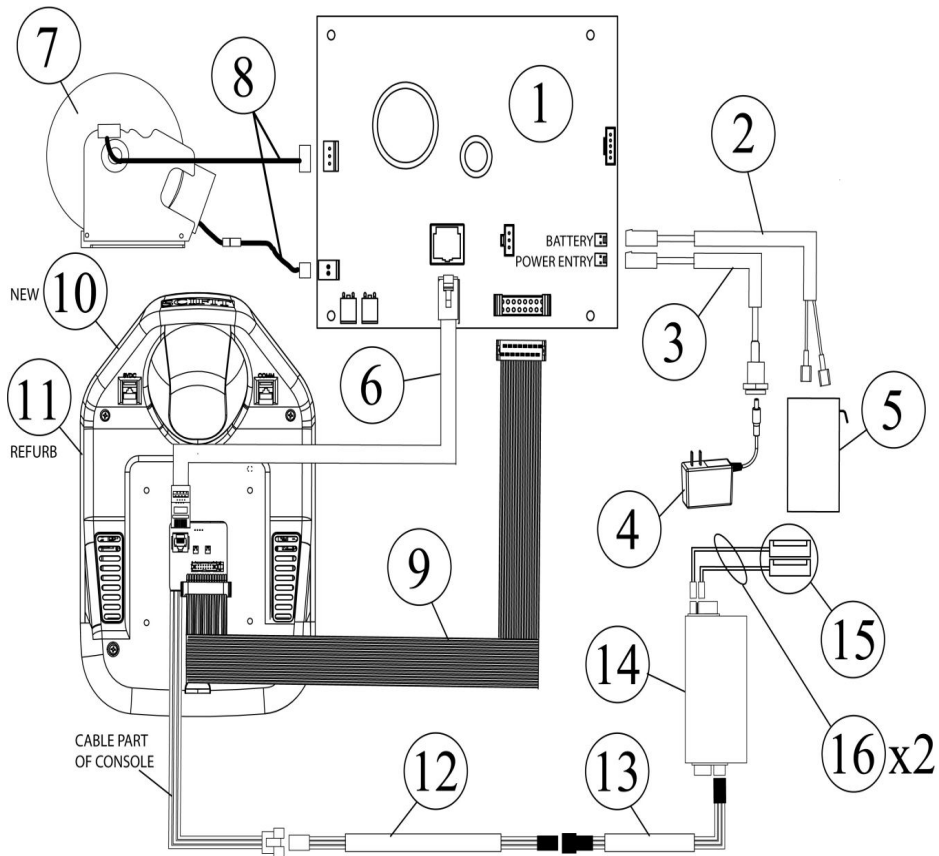
Ref #	Part Number	Qty	Description
1	S4494	1	KIT TELERAIL RH REX BOLT ON
2	S1910	3	Kit Roller TeleRail Vertical
3	A2448	2	Kit Roller TeleRail Lateral
4	P1180	2	Brg Flanged Crank IGUS Ellipt
5	10537-02284	8	5/16 NAS F/W
6	73783	3	5/16"-18 x 1-3/4" Stnlss BSCS
7	94073	2	5/16"-18 x 1-1/2" Zinc BSCS
8	70961	5	5/16"-18 Stnlss Stl Acorn Nut

**REX7000 Lower Board and Wires - Post 5-2013**



Ref #	Part Number	Qty	Description
1	A5361	1	Kit A5005 W/Mounting Bracket
2	P1833	1	Cable Battery Cordless
3	P3493	1	Cable Power Entry REX
4	P4861	1	SCIFIT POWER SUPPLY AC ADAPTER WALL PACK 18V
5	P1564	1	Battery Rechargeable Cordless
6	P4743	1	Cable Comm 133" Intelli REX
7	A3061	1	Kit Brake REX/RST Assy.
8	S4454	1	CABLES IND. BRAKE 3 & 2 PIN
9	LCD-EN-01	1	SCIFIT LCD Console English
9	LCD-EN-01	1	SCIFIT LCD Console English
9	LCD-EN-01	1	SCIFIT LCD Console English
9	LCD-EN-01	1	SCIFIT LCD Console English
9	LCD-EN-01	1	SCIFIT LCD Console English
9	LCD-EN-01	1	SCIFIT LCD Console English
9	LCD-EN-01	1	SCIFIT LCD Console English
9	LCD-EN-01	1	SCIFIT LCD Console English
9	LCD-EN-01	1	SCIFIT LCD Console English
9	LCD-EN-01	1	SCIFIT LCD Console English

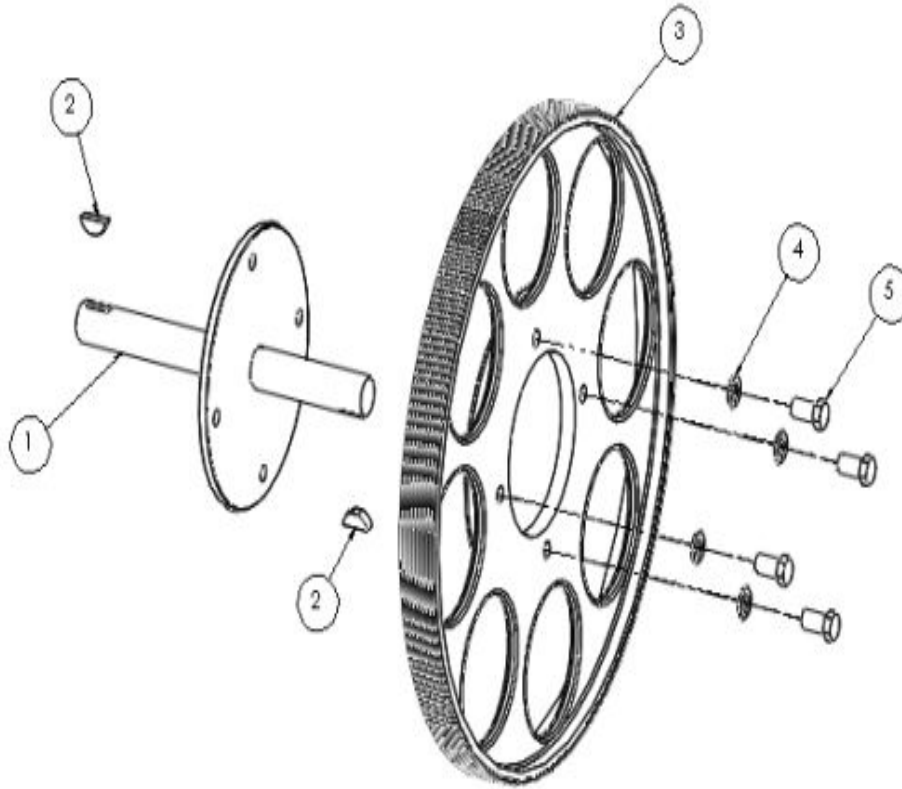
**REX7000 Lower Board and Wires - Pre 5-2013**



Ref #	Part Number	Qty	Description
1	S6189	1	Kit A5361 W/Tactile Firm PRE 5
2	P1833	1	Cable Battery Cordless
3	P3493	1	Cable Power Entry REX
4	P4861	1	SCIFIT POWER SUPPLY AC ADAPTER WALL PACK 18V
5	P1564	1	Battery Rechargeable Cordless
6	P4743	1	Cable Comm 133" Intelli REX
7	A3061	1	Kit Brake REX/RST Assy.
8	S4454	1	CABLES IND. BRAKE 3 & 2 PIN
9	A5194	1	Cable Assy REX 132" V2
10	A5206	1	NC Kit CNSL/Strain Relief CHR REX
11	S5231R	1	NC KIT CNSL/STRAIN RELIEF REX700
12	P3487	1	Cable HR Base REX
13	P3486	1	Cable HR REX
14	P3490	1	PCB CHR 5379 Polar
15	P2746	1	Grip HR Contact 1.5ID (1pr)
16	P2779	2	Cable CHR HG 2177 30"

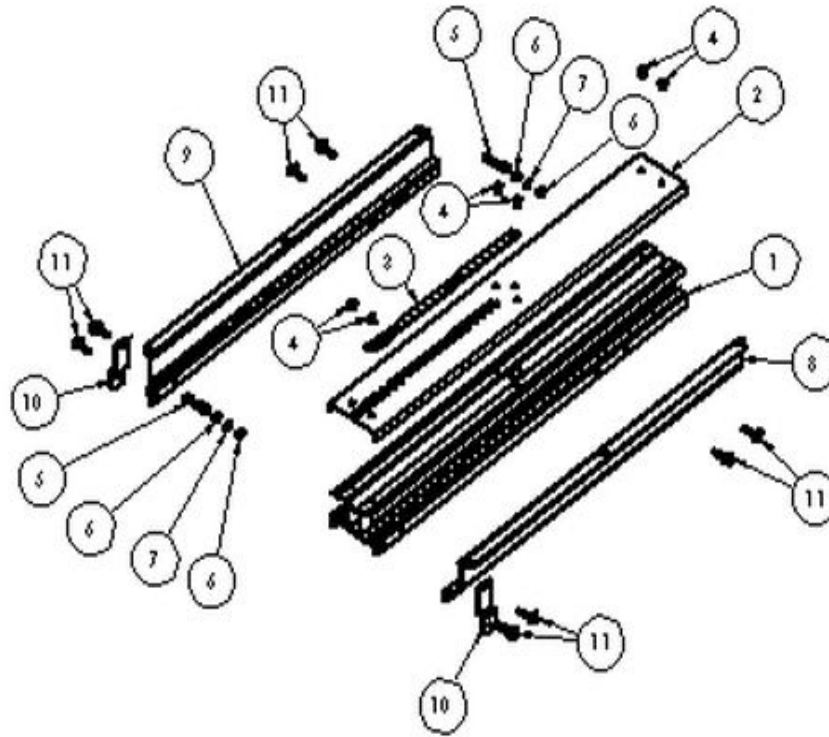
## Spindle, Pulley Drive Assembly

---



Ref #	Part Number	Qty	Description
1	A1542	1	Assy. Spindle Keyed Cordles
2	69318	2	1/4" x 3/4" Woodruff Key
3	A1545	1	Pulley Drive Brake 13"
4	33892	4	5/16" Yellow Zinc Split L/W
5	13053	4	5/16"-18 x 3/4" Zinc HCS

## Top Rail Guide Assembly



Ref #	Part Number	Qty	Description
1	A4018	1	Extrusion rail roller REX7
2	A3786	1	Track adjust seat REX univers
3	P1983	1	Decal Number .75" Spacing 1-20
4	94049	6	1/4"-20 x 1/2" Zinc BSCS
5	13061	2	SCR:5/16"-18 X 2" ZINC HCS
6	36104	4	5/16"-18 Zinc Hex Nut
7	33892	2	5/16" Yellow Zinc Split L/W
8	A4044-CH	1	Bracket Enclosure Charcoal LH Seat Rail
9	A4043-CH	1	Bracket Enclosure Seat Rail RH Charcoal
10	A4047	2	Bracket Enclosure Top Front
11	19919	8	BOLT 5/16-18 x 1.25 SERRATED HEX

