

S3441-CH

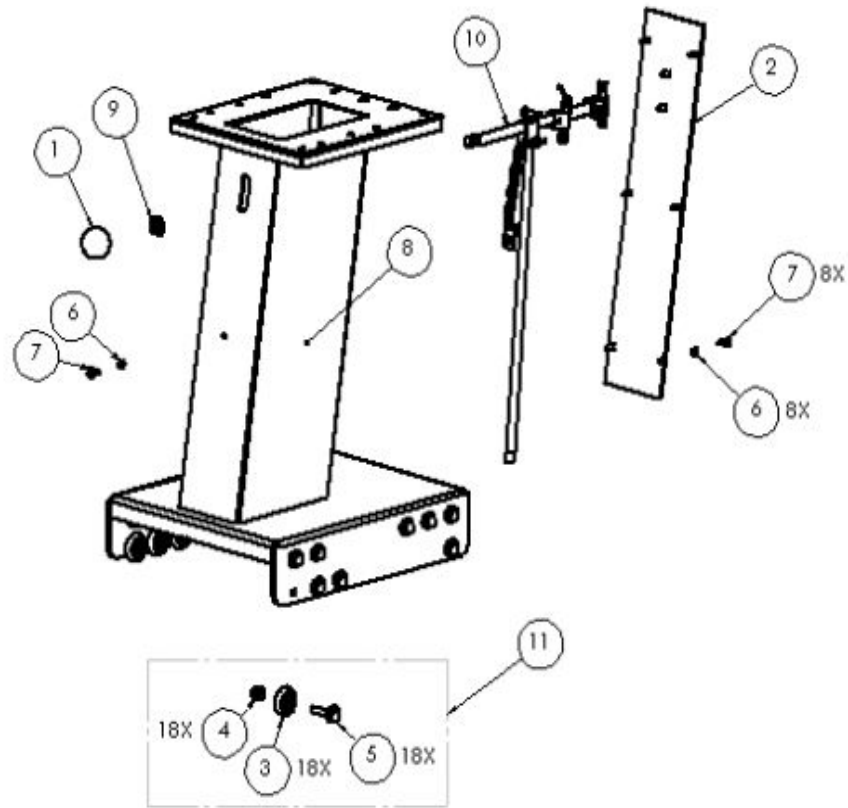
Parts Manual

1/17/2019 12:36:05 PM

Table of Contents

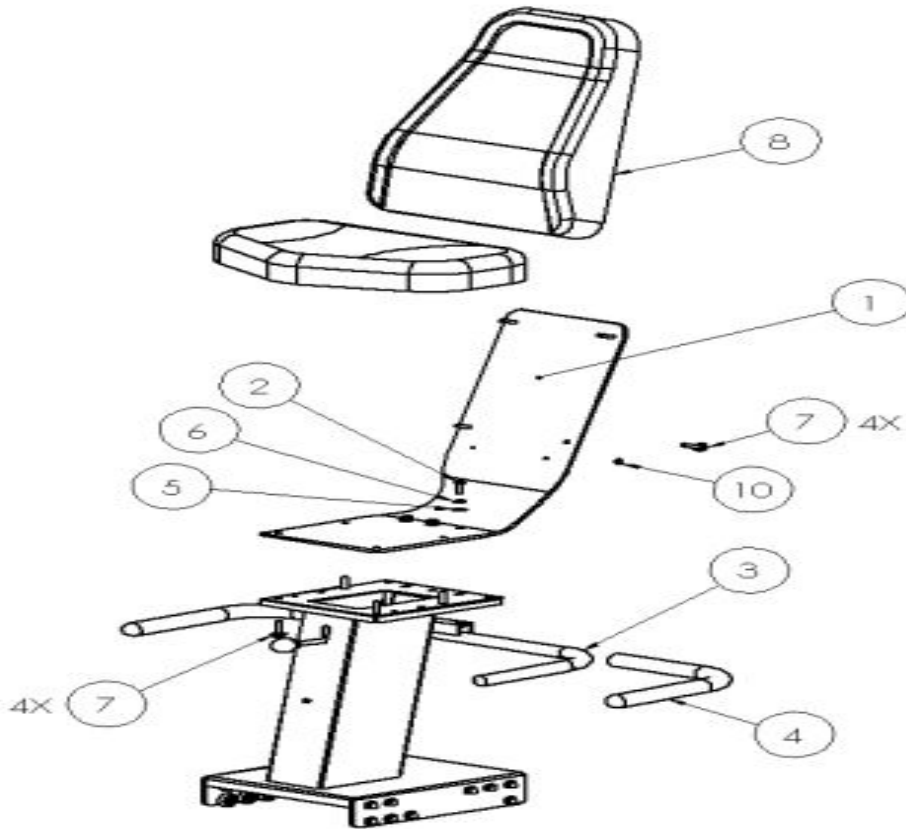
[Bottom Seat Assembly](#).....3
[Top Seat Assembly](#).....4

Bottom Seat Assembly



Ref #	Part Number	Qty	Description
1	P1125	1	Knob 7/16-20 Round
2	A3196-CH	1	COVER SEATPOST PRO CHARCOAL
3	P1038	18	Roller Urethane 1-1/4 Dia. X 3
4	37021	18	NUT NYLOCK 5/16-18
5	19919	18	BOLT 5/16-18 x 1.25 SERRATED HEX
6	33614	9	#10 Zinc Split L/W
7	29049	9	SCREW 10-32 x .5 PHIL. PAN HD
8	C3192-CH	1	SEATPOST FIXED PRO CHARCOAL
9	36258	1	NUT JAM 7/16-20 HEX
10	S1651	1	Kit, Fixed, Seat Post,Lever AD
10	P4327	2	PLUG HOLE .25"
11	S6396	1	Kit, HW/Rollers, Seat Base,NSS
-	C3191-CH	1	Assy Seatbase Fixed PRO2 Sport Charcoal

Top Seat Assembly



Ref #	Part Number	Qty	Description
1	A3316	1	Plate Mount Seat 110 Deg.
2	110120325	3	SCREW 5/16-18 X 1" HEX CAP
3	A1144	1	ASSY HANDLEBAR SEAT CHARCOAL
4	P1183	2	Grip 1 X 17.25 h-bar seat
5	33080	3	5/16" Zinc F/W
6	33892	3	5/16" Yellow Zinc Split L/W
7	19919	8	BOLT 5/16-18 x 1.25 SERRATED HEX
8	P4436	1	PAD SUPPORT HIGH BACK V2
9	P4434	1	Pad Seat Bottom V2

