

# Signature Series - Back Extension

SBE

## Parts Manual

1/5/2019 16:23:02 PM



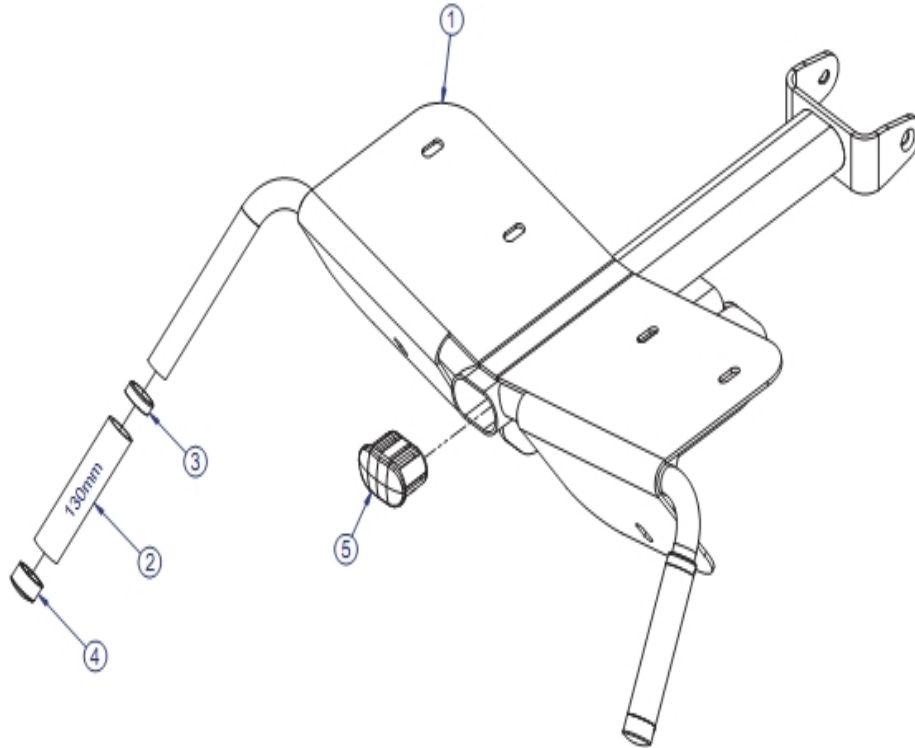
**Table of Contents**

---

[Adjustment Arm Assembly](#).....3  
[Component Assembly](#).....4  
[Foot Assembly](#).....5  
[Frame Assembly](#).....6  
[Front Foot Assembly](#).....7  
[Link Assembly](#).....8

\*\* Upholstery & Frame Colors are listed at the end of the Parts Manual \*\*

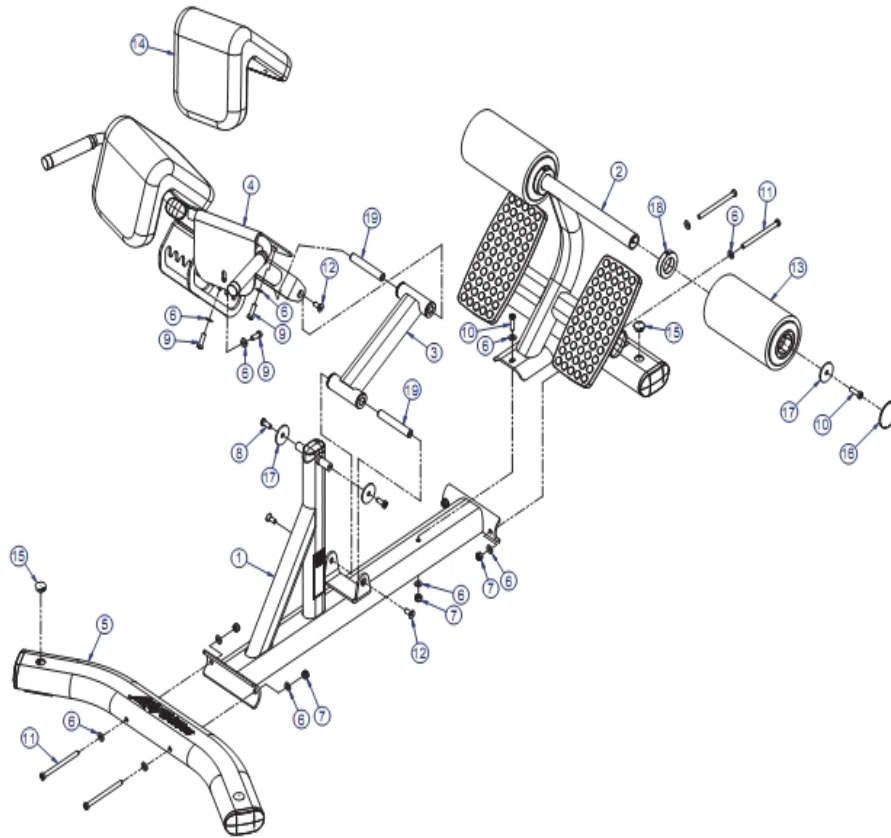
## Adjustment Arm Assembly



Ref #	Part Number	Qty	Description
1	8639699	1	Weldment, SBE, Adjuster Arm Custom
2	3235801	2	Grip - 1.25" OD
3	7662801	2	Grip Ring 1.25"
4	7662901	2	Grip Cap
5	7800501	1	Small Cap

\*\* Upholstery and Frame Colors are list at the end of the Parts Manual \*\*

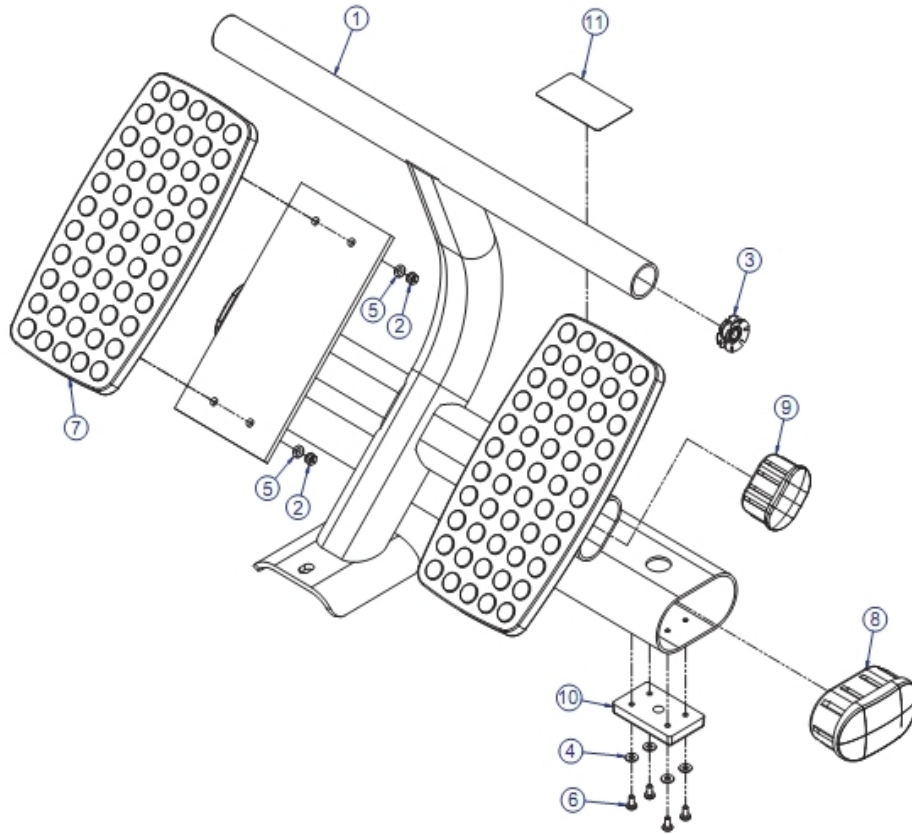
# Component Assembly



Ref #	Part Number	Qty	Description
1	8665499	1	Assembly, SBE, Frame Custom
2	8665599	1	Assembly, SBE, Foot Custom
3	8665699	1	Assembly, SBE, Link Custom
4	8665799	1	Assembly, SBE, Adjuster Arm Custom
5	8701099	1	Assembly, SBE, Front Foot Custom
6	3102514	16	Hardware: Flat Washer 3/8" ID
7	LEA3242002	5	Hardware: Hex Nut 10MM D
8	LEA3256202	2	Hardware: Screw 25MM
9	3256203	6	Hardware: Screw 30MM
10	LEA3256204	3	Hardware: Screw 35MM
11	3256221	4	Hardware: Screw 135MM
12	3257205	4	Hardware: Bolt 25MM
13	7424799	2	ASSY, ROLLER PAD SHORT Custom
14	7877199	2	Pad, Angle Short Custom
15	3237403	4	Plug 1" Hole
16	7308701	2	Cap Bearing Housing
17	7322301	4	Plate 1.97 OD X .447 ID 10 GA
18	7357901	2	Shaft Collar
19	8452602	2	Shaft

\*\* Upholstery and Frame Colors are list at the end of the Parts Manual \*\*

**Foot Assembly**

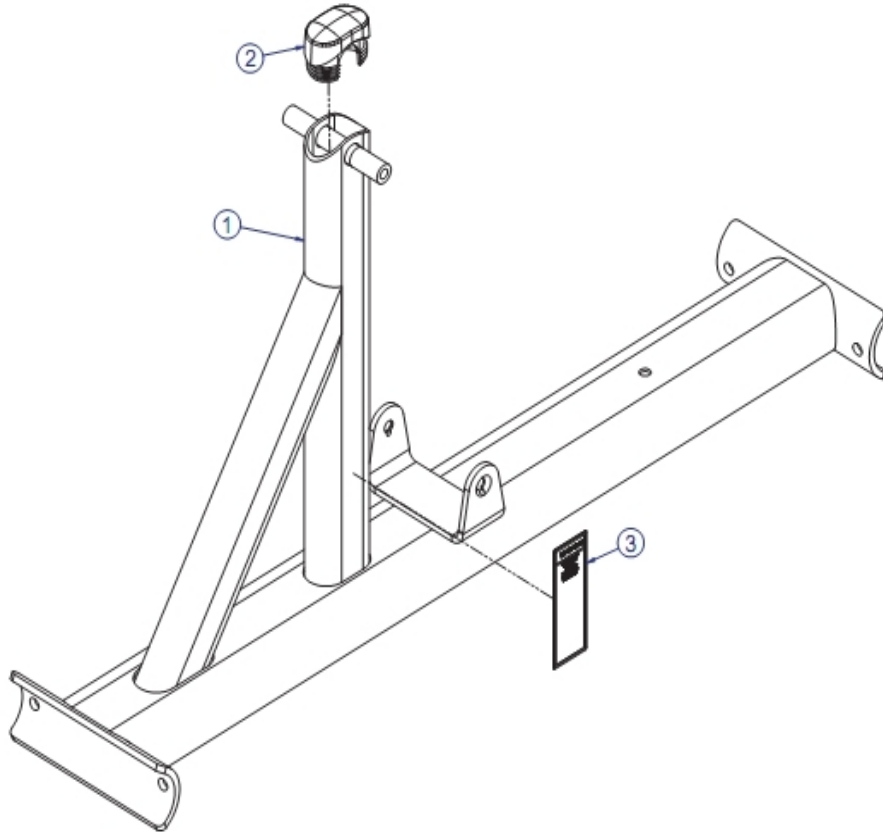


Ref #	Part Number	Qty	Description
1	8665899	1	Weldment, SBE, Foot Custom
2	3242003	8	Hardware: Nut Nylock 1" OD
3	7347301	2	Hardware: Nut 10 MM ID
4	3114407	8	Hardware: Flat Washer
5	3264101	8	Hardware: Washer
6	3239101	8	Hardware: Phillips Pan Screw
7	LEA7640301	2	Foot Pad CM/MJ Overmold
8	7800401	2	Large Cap
9	7800501	2	Small Cap
10	7810801	2	Rubber Foot Pad
11	7571301	1	Label Serial Number

\*\* Upholstery and Frame Colors are list at the end of the Parts Manual \*\*

## Frame Assembly

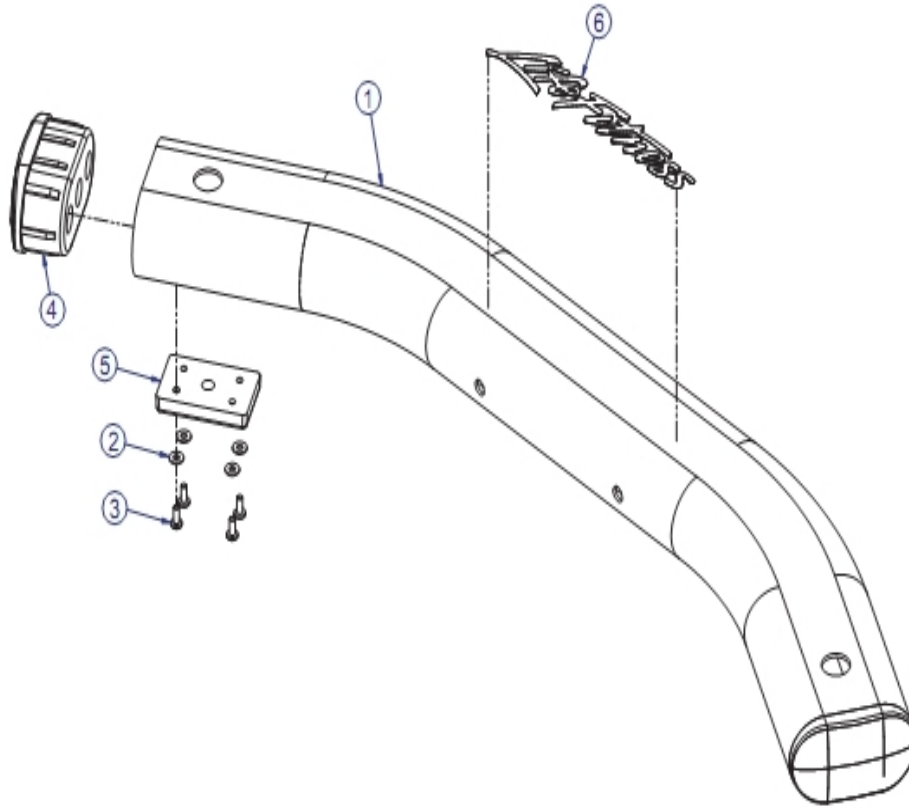
---



Ref #	Part Number	Qty	Description
1	8666199	1	Weldment, SBE, Frame Custom
2	7333801	1	End Cap FLOV Small
3	8137801	1	Warning Label - Multi-Language Vertical

\*\* Upholstery and Frame Colors are list at the end of the Parts Manual \*\*

## Front Foot Assembly

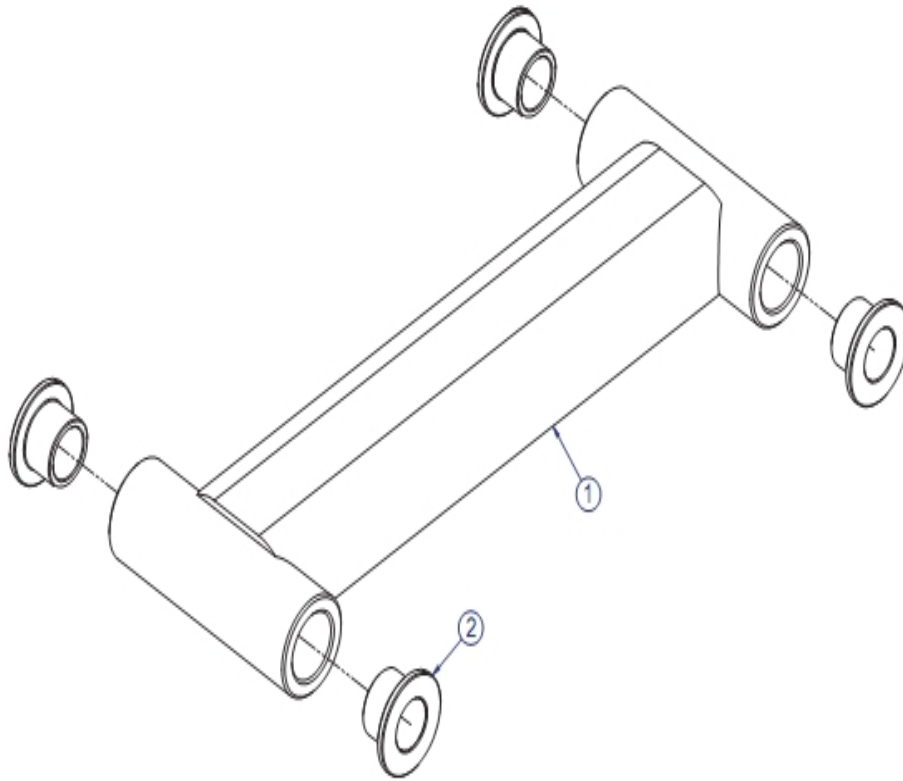


Ref #	Part Number	Qty	Description
1	8700999	1	Btube, SBE, Front Foot Custom
2	3114407	8	Hardware: Flat Washer
3	LEA3239102	8	Hardware: Screw
4	7800401	2	Large Cap
5	7810801	2	Rubber Foot Pad
6	7865201	1	Label Life Fitness Logo
7	SBE-HDWR	1	Assembly SBE Hardware Bag

\*\* Upholstery and Frame Colors are list at the end of the Parts Manual \*\*

## Link Assembly

---



Ref #	Part Number	Qty	Description
1	8666599	1	Weldment, SBE, Link Custom
2	3266603	4	Bearing Flange 19MM

\*\* Upholstery and Frame Colors are list at the end of the Parts Manual \*\*

# Frame and Upholstery Color Chart

## Frame Colors



Note: Include frame color in order notes when ordering frame assemblies or weldments.

## Upholstery Colors



Replace '99' with the above color suffix when ordering pads (i.e. 7412399 = 7412301 BLACK)

