

Signature Series - Body Weight Back Extension

SBWBE

Parts Manual

1/5/2019 16:24:22 PM





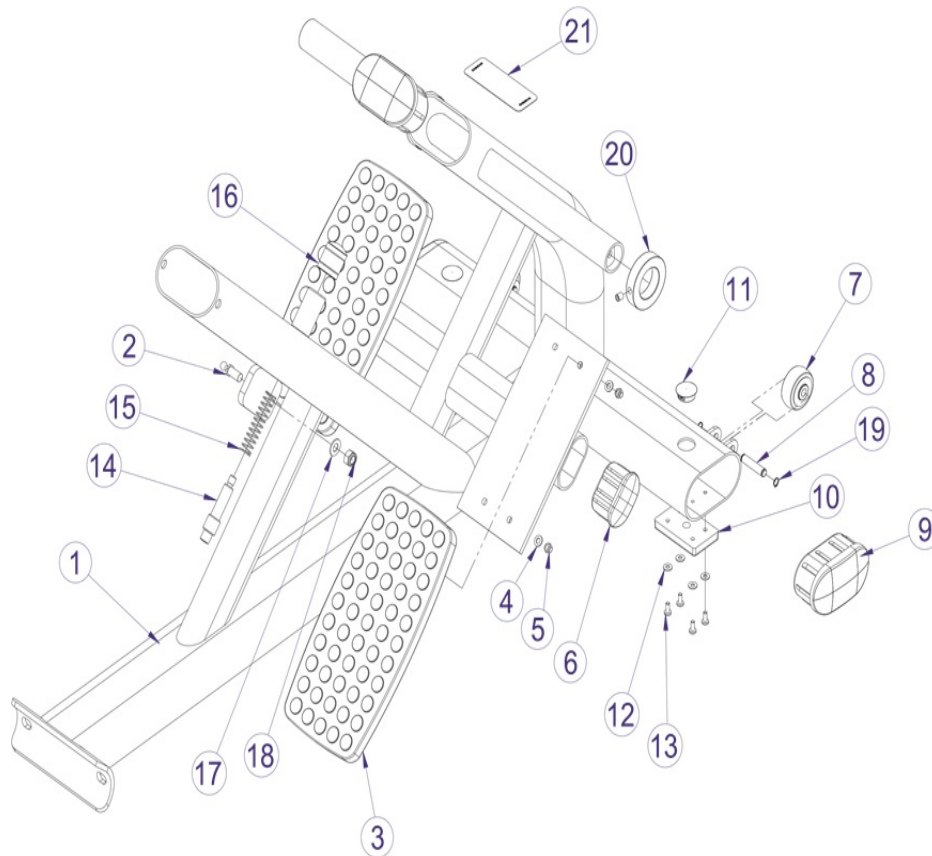
**SBWBE - SIGNATURE SERIES - BODY
WEIGHT BACK EXTENSION**

Table of Contents

Center Frame Assembly.....	3
Component Assembly.....	5
Front Foot Frame Assembly.....	6
Waist Frame Assembly.....	7

** Upholstery & Frame Colors are listed at the end of the Parts Manual **

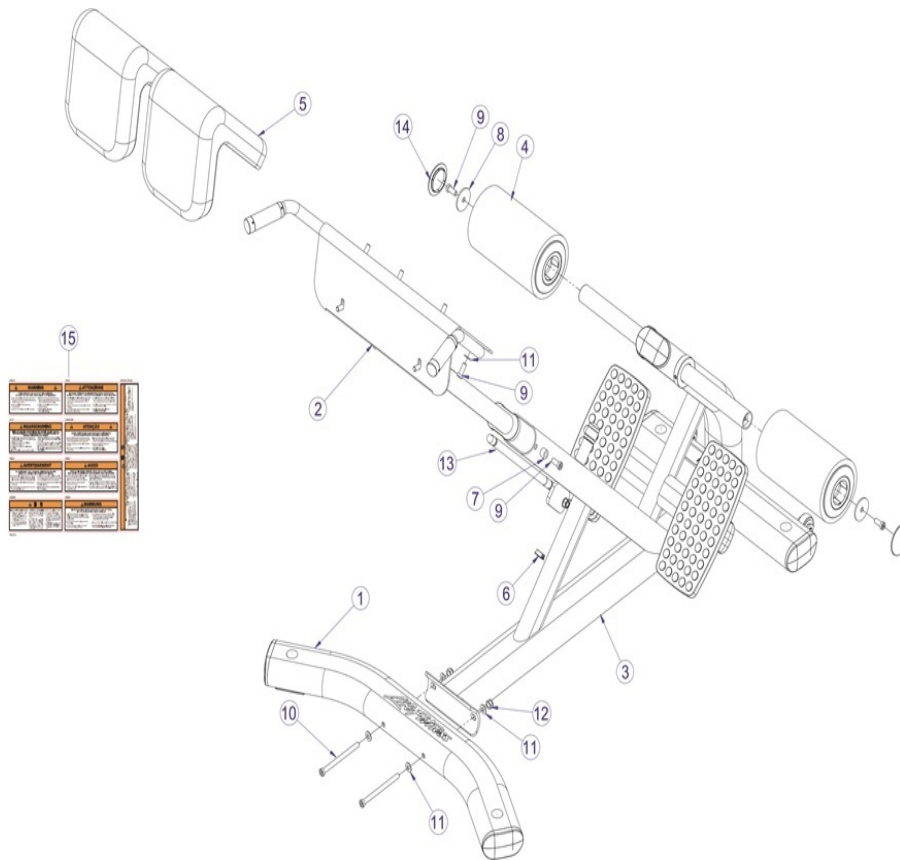
Center Frame Assembly



Ref #	Part Number	Qty	Description
2	7414301	1	Stud M10 Ball End M10 X 1.5
3	LEA7640301	2	Foot Pad CM/MJ Overmold
4	3241801	8	Flat Washer 6MM
5	3242003	8	Hardware: Nut Nylock 1" OD
6	7800501	2	Small Cap
7	7656301	2	Rubber Wheel
8	7705302	2	Wheel Axle
9	LEA7800401	3	Large Cap
10	7810801	2	Rubber Foot Pad
11	3237403	2	Plug 1" Hole
12	LEA3114407	8	Hardware: Washer
13	LEA3239102	8	Hardware: Screw
14	LEA7351302	1	Pull pin
15	7351501	1	Pull Pin Spring
16	7424801	1	Pop Pin Knob
17	3102514	1	Hardware: Flat Washer 3/8" ID
18	LEA3242002	1	Hardware: Hex Nut 10MM D
19	3232405	4	Retaining Ring .352" D
20	7357901	2	Shaft Collar
21	LEA7002501	1	Warning Label Horizontal
22	7094101	1	NLA: LABEL, SERIAL NUMBER

** Upholstery and Frame Colors are list at the end of the Parts Manual **

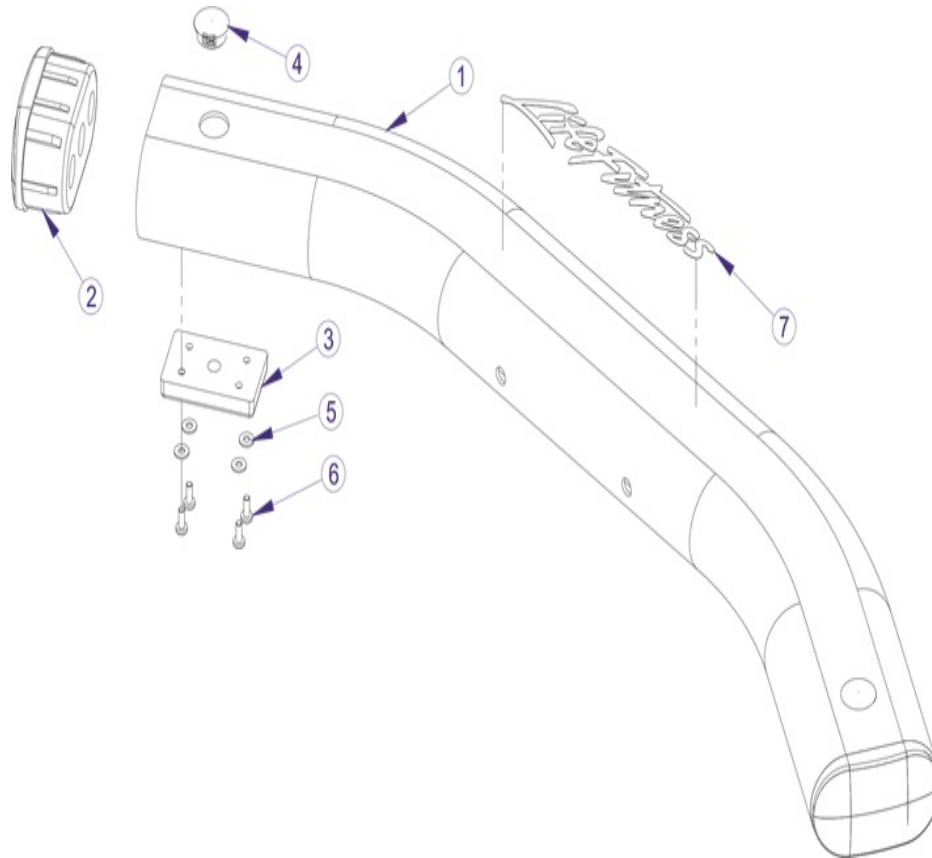
Component Assembly



Ref #	Part Number	Qty	Description
1	LEA7877099	1	Painted Assembly, SBWBE, Front Foot Frame - Custom
2	LEA7876899	1	Painted Assembly, SBWBE, Waist Frame - Custom
4	7424799	2	ASSY, ROLLER PAD SHORT Custom
5	7877199	2	Pad, Angle Short Custom
6	3237403	1	Plug 1" Hole
7	LEA7385203	2	Spacer
8	7322301	2	Plate 1.97 OD X .447 ID 10 GA
9	LEA3256202	10	Hardware: Screw 25MM
10	LEA3256221	2	Hardware: Screw 135MM
11	3102514	10	Hardware: Flat Washer 3/8" ID
12	LEA3242002	2	Hardware: Hex Nut 10MM D
13	3235703	1	Gas Spring
14	7308701	2	Cap Bearing Housing
15	8137701	1	Warning Label - Multi-Language Horizontal

** Upholstery and Frame Colors are list at the end of the Parts Manual **

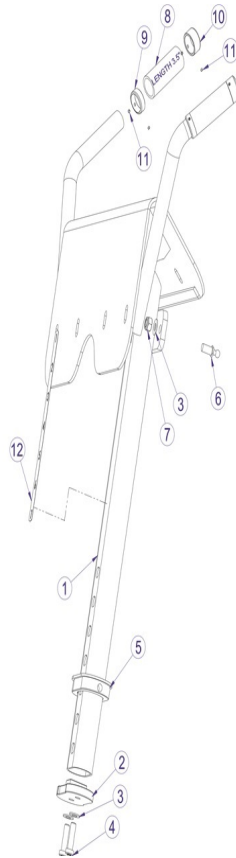
Front Foot Frame Assembly



Ref #	Part Number	Qty	Description
1	LEA7877099	1	Painted Assembly, SBWBE, Front Foot Frame - Custom
2	LEA7800401	2	Large Cap
3	7810801	2	Rubber Foot Pad
4	3237403	2	Plug 1" Hole
5	LEA3114407	8	Hardware: Washer
6	LEA3239102	8	Hardware: Screw
7	7865201	1	Label Life Fitness Logo

** Upholstery and Frame Colors are list at the end of the Parts Manual **

Waist Frame Assembly



Ref #	Part Number	Qty	Description
2	8682401	1	Bottom Bushing SBWBE
3	3102514	3	Hardware: Flat Washer 3/8" ID
4	LEA3256204	2	Hardware: Screw 35MM
5	8682501	1	Bushing Kit SBWBE
6	7414301	1	Stud M10 Ball End M10 X 1.5
7	LEA3242002	1	Hardware: Hex Nut 10MM D
8	LEA3235801	2	Grip 1.25 OD Open End
9	7662801	2	Grip Ring 1.25"
10	7662901	2	Grip Cap
11	LEA3247701	8	Hardware: Screw
12	LEA7986601	1	Label 1-7

** Upholstery and Frame Colors are list at the end of the Parts Manual **

Frame and Upholstery Color Chart

Frame Colors



Note: Include frame color in order notes when ordering frame assemblies or weldments.

Upholstery Colors



Replace '99' with the above color suffix when ordering pads (i.e. 7412399 = 7412301 BLACK)

