

SC9500HR Stairclimber

SC95-0101-01

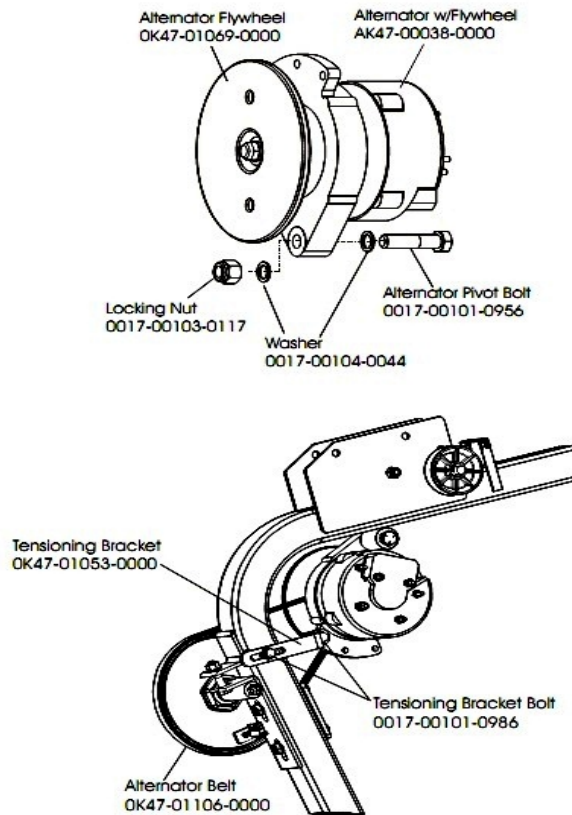
Parts Manual

1/5/2019 16:30:13 PM

Table of Contents

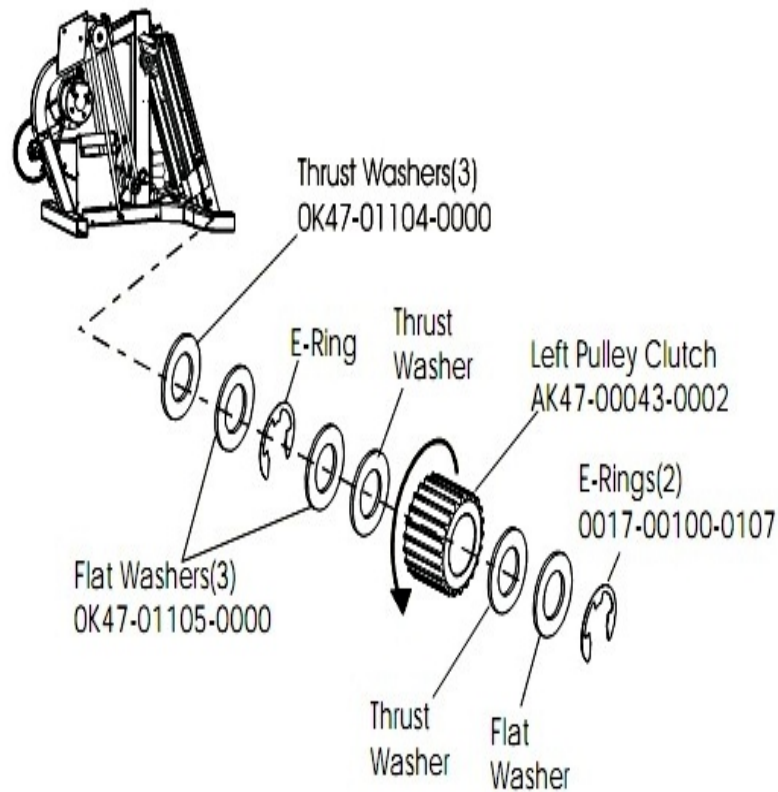
[Alternator Assembly](#).....3
[Cable - Sc9500](#).....4
[Clutch Assembly - Lt.](#).....5
[Console Overlay Bezel Assembly](#).....6
[Crossover Pulley Assembly](#).....7
[Frame Components](#).....8
[General Assembly](#).....9
[Guide Rollers](#).....10
[Main Drive Pulley And Clutch](#).....11
[Pcb And Resistor](#).....12
[Pedal Assembly](#).....13
[Polar Receiver Assembly](#).....15
[Shrouds](#).....16

Alternator Assembly



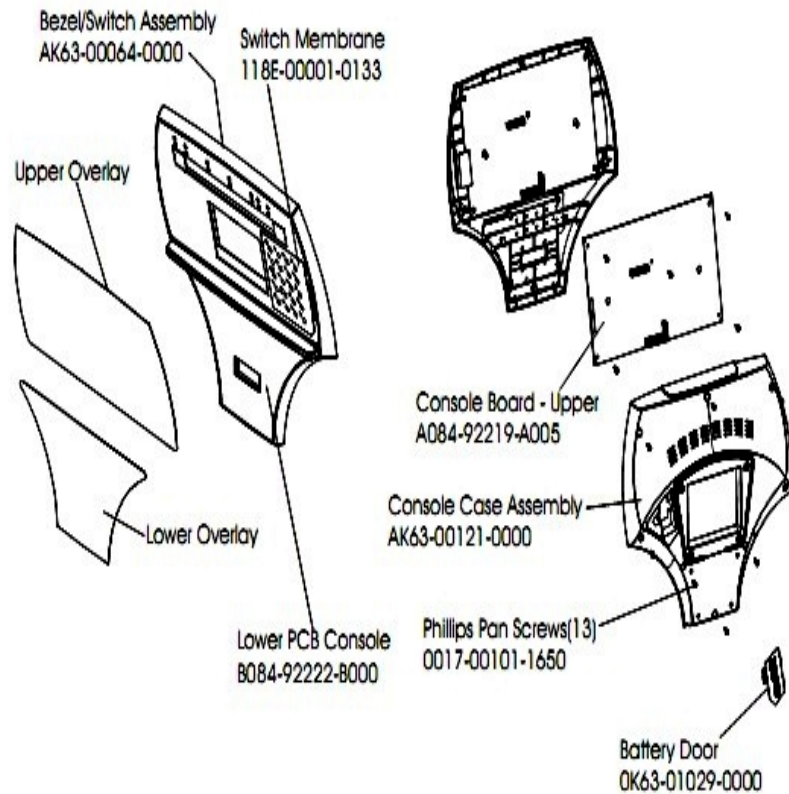
| Ref # | Part Number | Qty | Description |
|-------|-----------------|-----|--------------------------------|
| - | 0017-00101-0986 | 1 | Hardware: Bolt 0.75" |
| - | 0017-00103-0117 | 1 | Hardware: Locking Nut 1/2" ID |
| - | AK47-00038-0000 | 1 | Alternator with Flywheel |
| - | OK47-01230-0000 | 1 | FLYWHEEL |
| - | OK47-01053-0000 | 1 | Tensioning Bracket |
| - | OK47-01229-0000 | 1 | BELT: POLY-V; 320J6; 32.00 IN. |
| - | 0017-00101-0956 | 1 | Hardware: Bolt 2" |
| - | 0017-00104-0044 | 2 | Hardware: Washer 0.75" OD |

Clutch Assembly - Lt



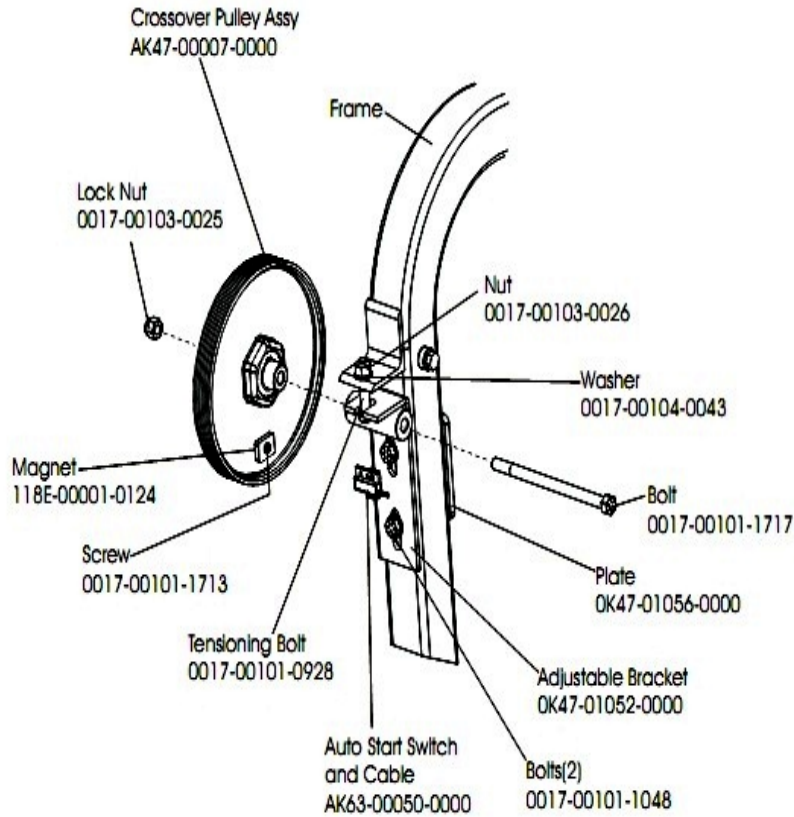
| Ref # | Part Number | Qty | Description |
|-------|-----------------|-----|----------------------------------|
| - | AK47-00043-0002 | 1 | Left Clutch Sprocket Assembly |
| - | OK47-01105-0000 | 3 | Hardware: Hardened Thrust Washer |
| - | 0017-00100-0107 | 2 | Hardware: E-Ring 1" |
| - | OK47-01104-0000 | 3 | Hardware: Thrust Washer |

Console Overlay Bezel Assembly



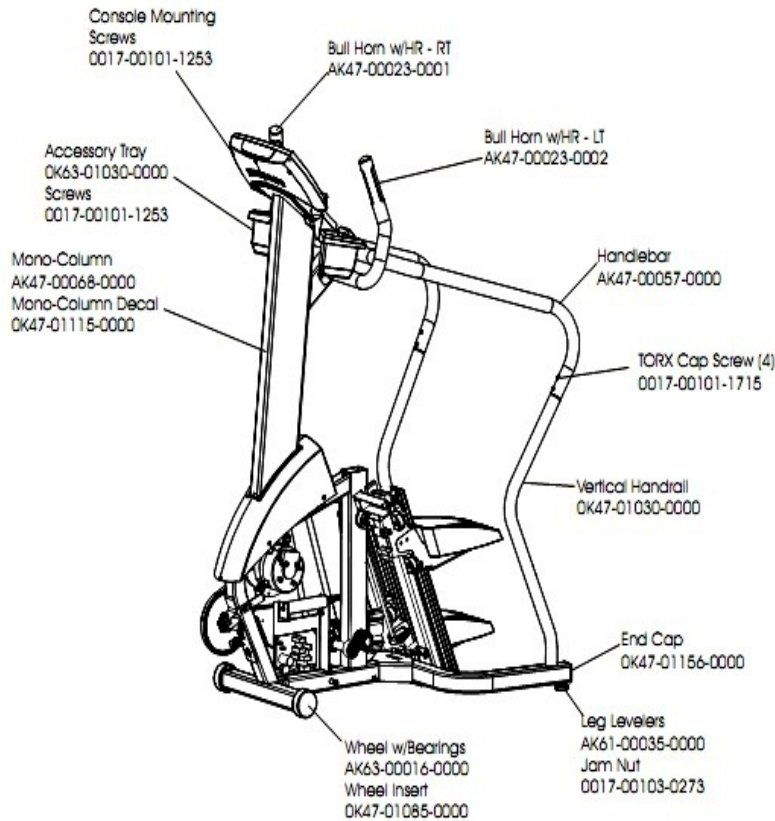
| Ref # | Part Number | Qty | Description |
|-------|-----------------|-----|-------------------------------------|
| - | AK47-00012-0001 | 1 | Overlay Bezel English/Metric |
| - | 118E-00001-0133 | 1 | Switch Membrane |
| - | B084-92222-B000 | 1 | Console Board - Lower |
| - | A084-92219-A005 | 1 | Console Board - Upper |
| - | OK47-01003-0001 | 1 | Upper Overlay English Metric |
| - | 118E-00001-0140 | 1 | Reed Switch SPDT |
| - | OK47-01005-0001 | 1 | Lower Overlay English Metric |
| - | OK47-01128-0000 | 1 | Track Cover Plate |
| - | OK63-01029-0000 | 1 | Battery Door |
| - | AK47-00015-0001 | 1 | Console English/Metric |
| - | AK63-00121-0000 | 1 | Console Case Assembly |
| - | AK63-00064-0000 | 1 | Bezel/Switch Assembly |
| - | 0017-00101-1650 | 13 | Hardware: Phillips Pan Screw 0.375" |

Crossover Pulley Assembly



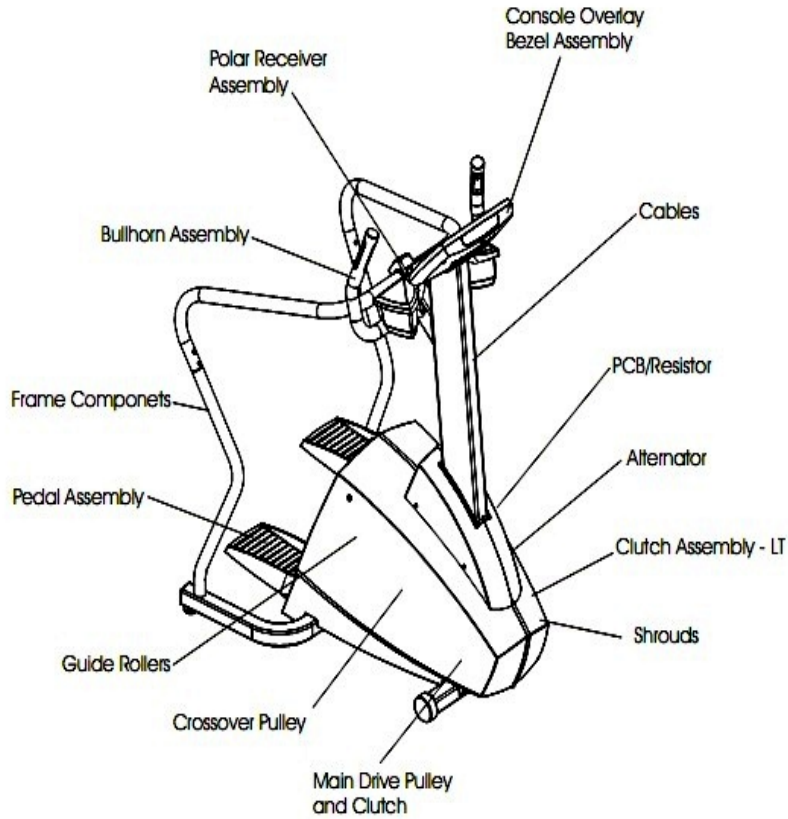
| Ref # | Part Number | Qty | Description |
|-------|-----------------|-----|---------------------------------|
| - | 0017-00104-0043 | 1 | Hardware: Flat Washer 0.734" OD |
| - | AK63-00050-0000 | 1 | Reed Switch Bracket Assembly |
| - | AK47-00007-0000 | 1 | Crossover Pulley Assembly |
| - | OK47-01052-0000 | 1 | Intermediate Pulley Bracket |
| - | 0017-00103-0026 | 1 | Hardware: Hex Nut 3/8" ID |
| - | 0017-00103-0025 | 1 | Hardware: Locking Nut 3/8" ID |
| - | OK47-01056-0000 | 1 | Plate |
| - | 0017-00101-1713 | 1 | Hardware: Screw |
| - | 118E-00001-0124 | 1 | Auto-Start Magnet |
| - | 0017-00101-1048 | 2 | Hardware: Bolt 3" |
| - | 0017-00101-0928 | 1 | Hardware: Tensioning Bolt 1.75" |
| - | 0017-00101-1717 | 1 | Hardware: Bolt 6" |

Frame Components



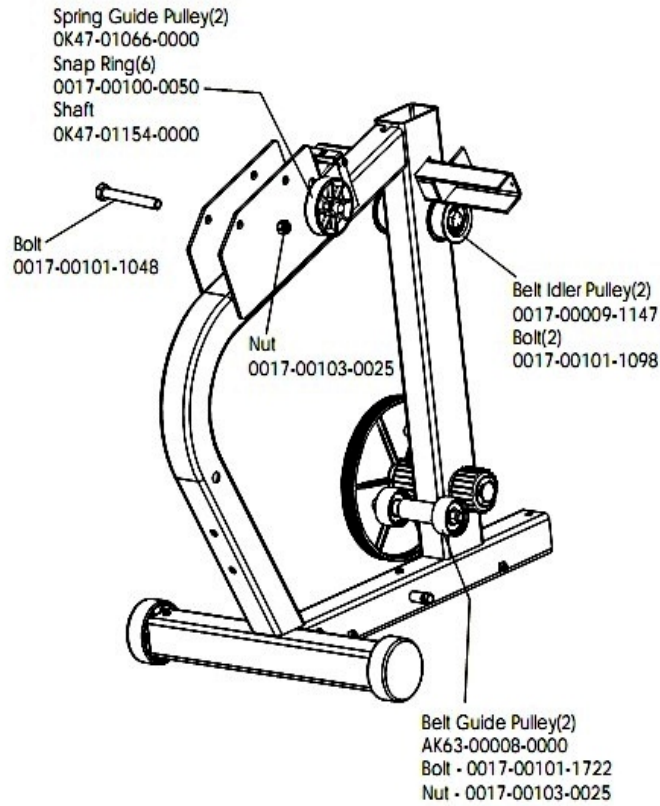
| Ref # | Part Number | Qty | Description |
|-------|-----------------|-----|---------------------------------|
| - | 0017-00101-1253 | 12 | Hardware: Screw |
| - | OK47-01085-0000 | 2 | Wheel Insert |
| - | AK61-00035-0000 | 2 | Leg Leveler |
| - | AK47-00068-0000 | 1 | Mono-Column |
| - | AK47-00023-0002 | 1 | Bullhorn with HR - Left |
| - | OK47-01156-0000 | 2 | End Cap |
| - | AK47-00023-0001 | 1 | Bullhorn with HR - Right |
| - | AK63-00016-0000 | 2 | Wheel/Bearing Assembly |
| - | AK47-00057-0000 | 1 | Handlebar |
| - | OK47-01115-0000 | 1 | Mono-Column Decal |
| - | 0017-00101-1715 | 4 | Hardware: TORX Cap Screw 0.625" |
| - | 0017-00103-0273 | 2 | Hardware: Hex Nut 3/8" ID |
| - | OK47-01030-0000 | 2 | Vertical Handrail |
| - | OK63-01030-0000 | 1 | Accessory Tray |

General Assembly



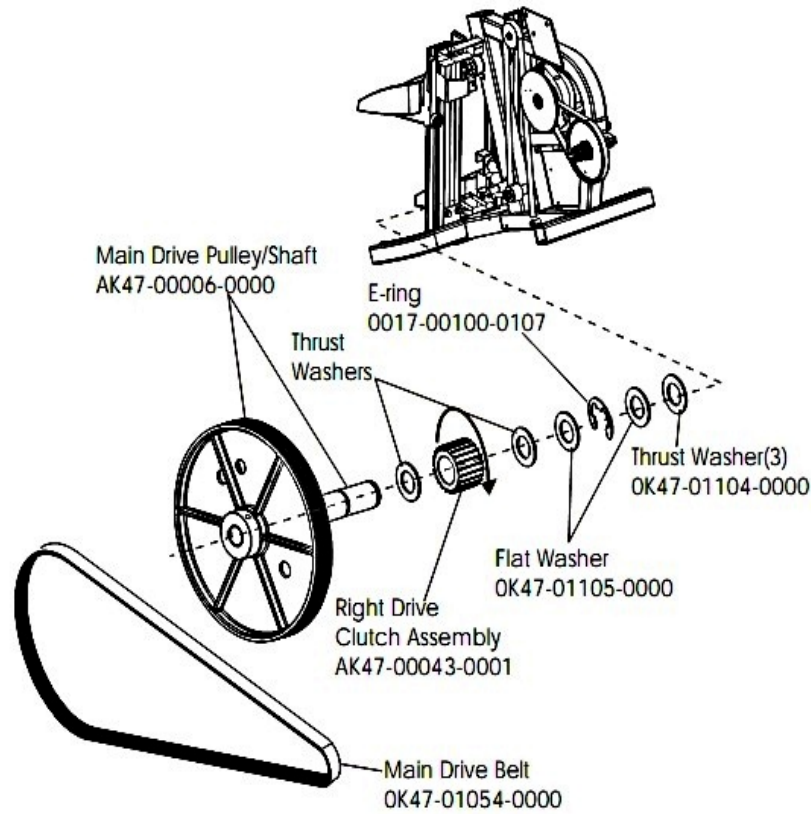
| Ref # | Part Number | Qty | Description |
|-------|-----------------|-----|--------------|
| - | AK47-00050-0000 | 1 | Hardware Bag |

Guide Rollers



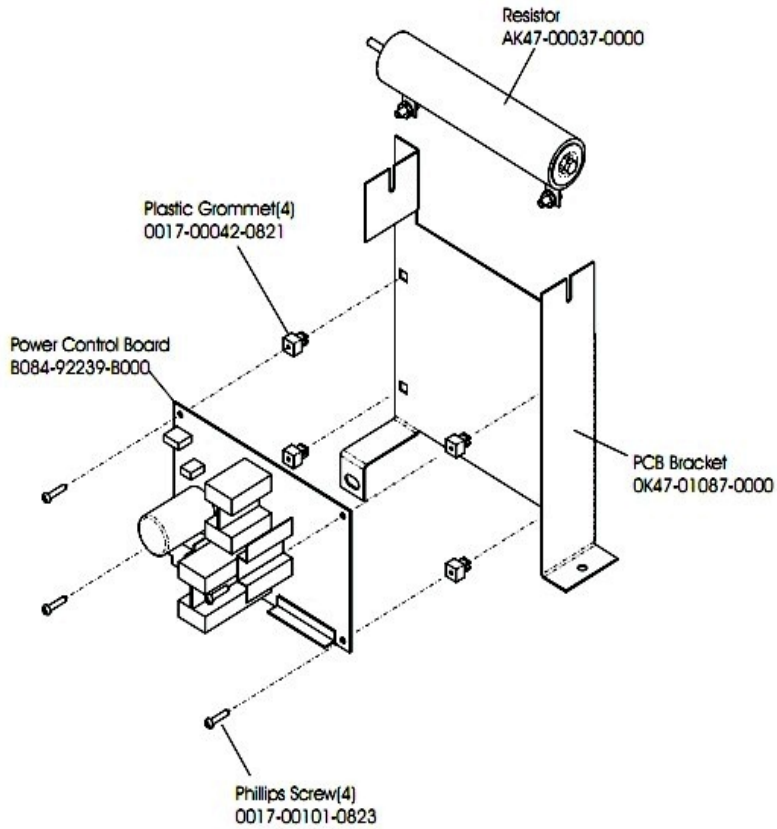
| Ref # | Part Number | Qty | Description |
|-------|-----------------|-----|-------------------------------|
| - | OK47-01066-0000 | 2 | Return Spring Pulley |
| - | 0017-00101-1048 | 1 | Hardware: Bolt 3" |
| - | 0017-00101-1722 | 1 | Hardware: Bolt 5" |
| - | 0017-00103-0025 | 2 | Hardware: Locking Nut 3/8" ID |
| - | 0017-00009-1147 | 2 | Belt Idler Pulley |
| - | 0017-00100-0050 | 6 | Hardware: E-Ring .5" |
| - | 0017-00101-1098 | 2 | Hardware: Bolt 1.5" |
| - | OK47-01154-0000 | 1 | Spring Pulley Shaft |
| - | AK63-00008-0000 | 2 | Idler w/Bearing |

Main Drive Pulley And Clutch



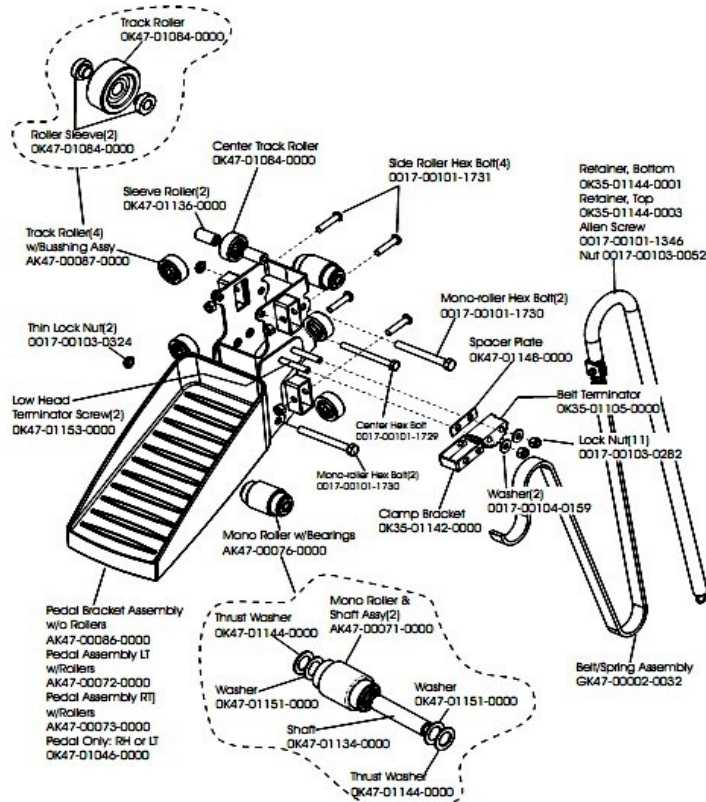
| Ref # | Part Number | Qty | Description |
|-------|-----------------|-----|----------------------------------|
| - | AK47-00043-0001 | 1 | Right Clutch Sprocket Assembly |
| - | OK47-01104-0000 | 3 | Hardware: Thrust Washer |
| - | OK47-01105-0000 | 2 | Hardware: Hardened Thrust Washer |
| - | AK47-00006-0000 | 1 | Clutchshaft Pulley Assembly |
| - | GK47-00002-0036 | 1 | KIT: STEPPER BELT AND PULLEY |
| - | 0017-00100-0107 | 1 | Hardware: E-Ring 1" |

Pcb And Resistor



| Ref # | Part Number | Qty | Description |
|-------|-----------------|-----|---------------------------|
| - | AK47-00037-0000 | 1 | Resistor Assembly |
| - | OK47-01087-0000 | 1 | PCB Bracket |
| - | B084-92239-0000 | 1 | PCB |
| - | 0017-00042-0821 | 4 | Hardware: Plastic Grommet |
| - | 0017-00101-0823 | 4 | Hardware: Screw 0.75" |

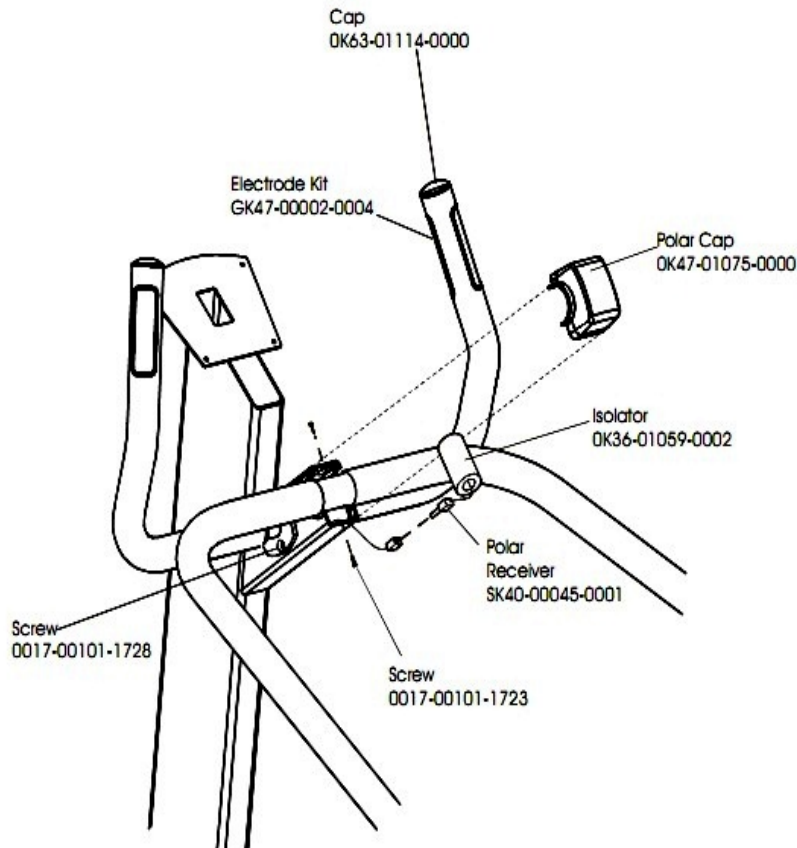
Pedal Assembly



| Ref # | Part Number | Qty | Description |
|-------|-----------------|-----|-------------------------------------|
| - | OK35-01144-0003 | 2 | Retainer: Belt; Top |
| - | OK47-01046-0000 | 2 | Pedal Only: RH or LT |
| - | AK47-00072-0000 | 1 | Pedal Assembly with Rollers - Left |
| - | AK47-00087-0000 | 8 | Side-Roller with Bushing Assembly |
| - | AK47-00073-0000 | 1 | Pedal Assembly with Rollers - Right |
| - | OK47-01144-0000 | 4 | Hardware: Thrust Washer |
| - | OK47-01153-0000 | 4 | Hardware: Screw |
| - | OK47-01136-0000 | 4 | Roller Sleeve |
| - | OK47-01148-0000 | 2 | Hardware: Spacer Plate |
| - | 0017-00104-0159 | 4 | Hardware: Flat Washer 0.75" OD |
| - | 0017-00103-0282 | 22 | Hardware: Locking Nut 5/16" ID |
| - | 0017-00101-1346 | 2 | Hardware: Allen Screw |
| - | 0017-00101-1609 | 8 | Hardware: Side Roller Hex Bolt 1.5" |
| - | 0017-00101-1729 | 2 | Hardware: Center Hex Bolt 3.5" |
| - | 0017-00101-1730 | 8 | Hardware: Mono-roller Hex Bolt 3.5" |
| - | 0017-00103-0052 | 2 | Hardware: Locking Nut ID |
| - | OK47-01084-0000 | 8 | Side Track Roller |
| - | AK47-00076-0000 | 2 | Mono-Rollers w/Bearings |
| - | OK35-01142-0000 | 2 | Hardware: Bracket |
| - | OK35-01144-0001 | 2 | Retainer: Belt; Bottom |
| - | OK47-01151-0000 | 4 | Hardware: Hardened Thrust Washer |
| - | OK35-01105-0000 | 2 | Hardware: Belt Terminator |

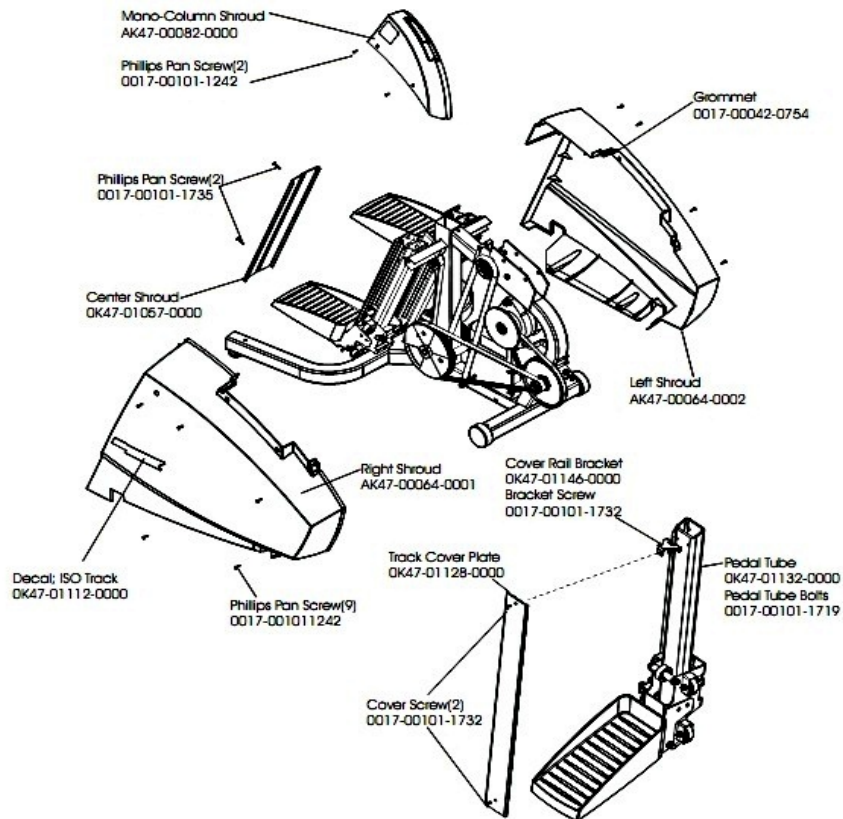
| Ref # | Part Number | Qty | Description |
|--------------|--------------------|------------|--|
| - | 0017-00103-0324 | 4 | Hardware: Thin Lock Nut 3/8" ID |
| - | GK47-00002-0032 | 2 | Belt/Spring Assembly |
| - | AK47-00071-0000 | 4 | Mono Roller and Shaft Assembly |
| - | OK47-01134-0000 | 2 | Roller Shaft |
| - | AK47-00086-0000 | 2 | Pedal Bracket Assembly without Rollers |

Polar Receiver Assembly



| Ref # | Part Number | Qty | Description |
|-------|-----------------|-----|-------------------------------------|
| - | SK40-00045-0001 | 1 | Polar HR Kit |
| - | OK36-01059-0002 | 1 | Insulator Receiver Tube |
| - | 0017-00101-1844 | 2 | Hardware: Screw |
| - | OK47-01075-0000 | 1 | Polar Cap |
| - | OK63-01114-0000 | 1 | Cap |
| - | 0017-00101-1723 | 2 | Hardware: Phillips Pan Screw 0.375" |
| - | GK47-00002-0004 | 1 | Electrode Kit |

Shrouds



| Ref # | Part Number | Qty | Description |
|-------|-----------------|-----|---|
| - | 0017-00101-1732 | 6 | Hardware: I-pod Bracket Mounting Screw 0.375" |
| - | 0017-00042-0754 | 2 | Hardware: Grommet |
| - | AK47-00082-0000 | 1 | Mono-Column Shroud |
| - | OK47-01112-0000 | 2 | Decal |
| - | AK47-00064-0002 | 1 | Shroud with Decal - Left |
| - | OK47-01146-0000 | 2 | Cover Rail Bracket |
| - | OK47-01132-0001 | 2 | Pedal Tube |
| - | 0017-00101-1719 | 2 | Hardware: Pedal Tube Mounting Bolt 0.75" |
| - | OK47-01165-0001 | 1 | Center Shroud |
| - | 0017-00101-1242 | 11 | Hardware: Phillips Pan Screw 0.75" |
| - | 0017-00101-1735 | 2 | Hardware: Phillips Pan Screw |
| - | AK47-00064-0001 | 1 | Shroud with Decal - Right |
| - | OK47-01128-0000 | 1 | Track Cover Plate |

